

REVISED STARTING
SERIAL # 120410049

PARTS LIST MANUAL

MODEL SB14



**GASOLINE
MODEL**



**ELECTRIC MODEL
WITH VACUUM TUBE**



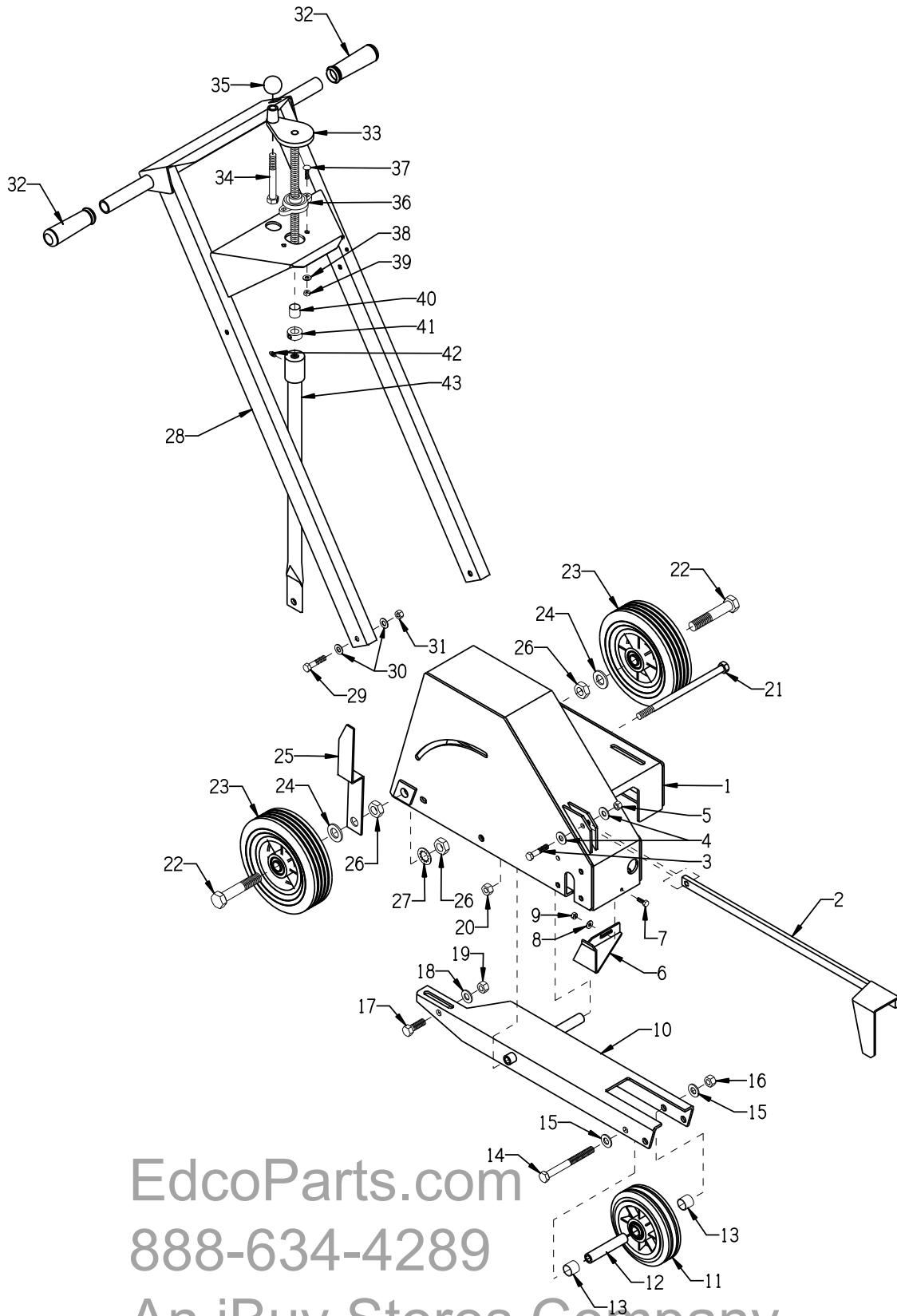
**AIR POWERED
MODEL**

14" UPCUT - CONCRETE AND ASPHALT WALK BEHIND SAWS

SKU #	MODEL #	POWER OPTION
43100	SB14-9H	HONDA GASOLINE ENGINE MODEL GX270U1-QXC9
42500	SB14-11H	HONDA GASOLINE ENGINE MODEL GX340U1-QXC9
48200	SB14-13H	HONDA GASOLINE ENGINE MODEL GX390U1-QXC9
42600	SB14-5B/230/1	BALDOR ELECTRIC MOTOR 5HP 1PH 60Hz 230V
40650-230	SB14-5B/230/3	BALDOR ELECTRIC MOTOR 5HP 3PH 60Hz 230V
40650-460	SB14-5B/460/3	BALDOR ELECTRIC MOTOR 5HP 3PH 60Hz 460V
47200	ASB14-5G	GAST AIR MOTOR 5HP

An iBuy Stores Company

ILLUSTRATION 1: MAIN GROUPING



EdcoParts.com
888-634-4289
An iBuy Stores Company

PARTS LISTING - ILLUSTRATION 1: MAIN GROUPING

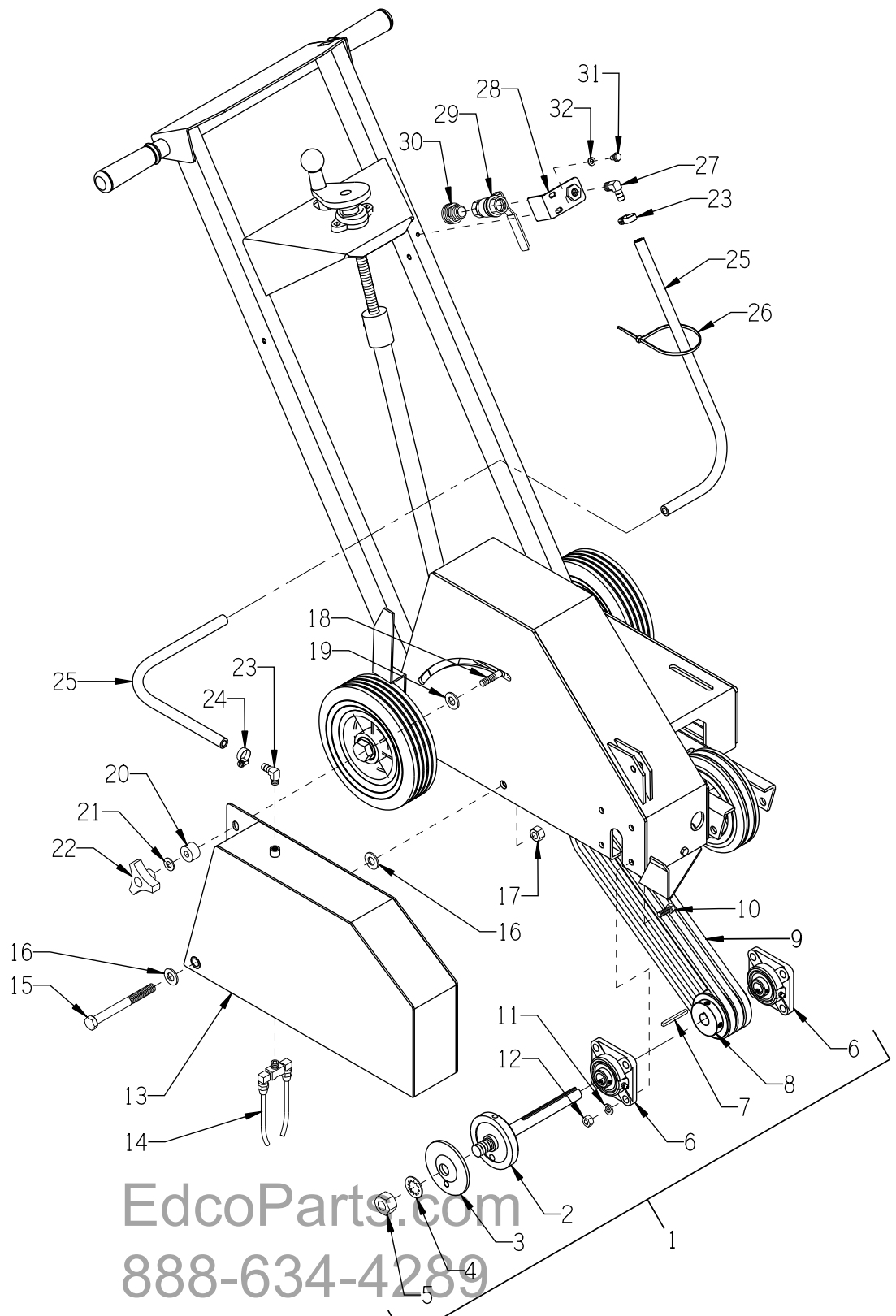
ITEM	PART #	DESCRIPTION	QTY.	ITEM	PART #	DESCRIPTION	QTY.
1	80002	MAIN FRAME, SB-14	1	24	10009	WASHER, FLAT 3/4 SAE ZINC	2
2	81009	GUIDE BAR, SB-14	1	25	81003	GUIDE FIN, REAR, SB-14	1
3	10309	SCREW, CAP 3/8-24 X 1-1/4	1	26	10429	NUT, HEX JAM 3/4-16 ZINC	4
4	10025	WASHER, FLAT 3/8 SAE ZINC	2	27	10609	WASHER, LOCK, INT. TOOTH 3/4"	2
5	10004	NUT, HEX LOCK 3/8-24 ZINC	1	28	81024	HANDLE BAR, SB-14	1
6	80037	RETAINER, BLADE GUARD	1	29	10029	SCREW, CAP 3/8-24 X 1-3/4	2
7	10018	SCREW, CAP 1/4-20 X 3/4	1	30	10025	WASHER, FLAT 3/8 SAE ZINC	4
8	10602	WASHER, FLAT 1/4 SAE ZINC	1	31	10004	NUT, HEX LOCK 3/8-24 ZINC	2
9	10015	NUT, HEX LOCK 1/4-20 ZINC	1	32	10608	GRIP, HAND 1" MODEL AT	2
10	80018	FORK, SB-14	1	33	65019	HANDWHEEL, SMALL W/ 5/8-8 X 13"ROD	1
11	80028	WHEEL 6 X 2 X 3/4"BRG.	1	34	81001	SCREW, CAP 1/2-13 X 4	1
12	80023	AXLE TUBE 3/4ODX1/2IDX3-7/8L	1	35	14023	KNOB, BALL 1-3/8 W/ 1/2-13THD,	1
13	80022	SPACER, WHEEL 13/16"ID X 13/16"L	2	36	80009	BEARING, BALL 5/8" 2-HOLE	1
14	65017	SCREW, CAP 1/2-20 X 5 ZINC	1	37	10412	BOLT, CARRIAGE 1/4-20 X 1	2
15	10312	WASHER, FLAT 1/2 SAE ZINC	2	38	10602	WASHER, FLAT 1/4 SAE ZINC	2
16	10205	NUT, HEX LOCK 1/2-20 ZINC	1	39	10861	NUT, KEPS LOCK 1/4-20 ZINC	2
17	10308	SCREW, CAP 1/2-20 X 1-1/2	1	40	55010	SPACER, HANDWHEEL 5/8"ID X 3/4"L	1
18	10312	WASHER, FLAT 1/2 SAE ZINC	1	41	10096	COLLAR, LOCKING 5/8"ID	1
19	10154	NUT, HEX NYLON LOCK 1/2-20	1	42	10808	FITTING, GREASE 1/4-28 STRAIGHT	1
20	10407	NUT, HEX LOCK 1/2-13 ZINC	1	43	81025	LINKAGE, CUT CONTROL 5/8-8 THD.	1
21	10408	SCREW, CAP 1/2-13 X 9	1				
22	10406	SCREW, CAP 3/4-16 X 4	2				
23	79013	WHEEL, 8 X 2-1/2 X 3/4"BRG. POLY HUB	2				

EdcoParts.com

888-634-4289

An iBuy Stores Company

ILLUSTRATION 2: ARBOR & BLADE GUARD GROUPING



EdcoParts.com

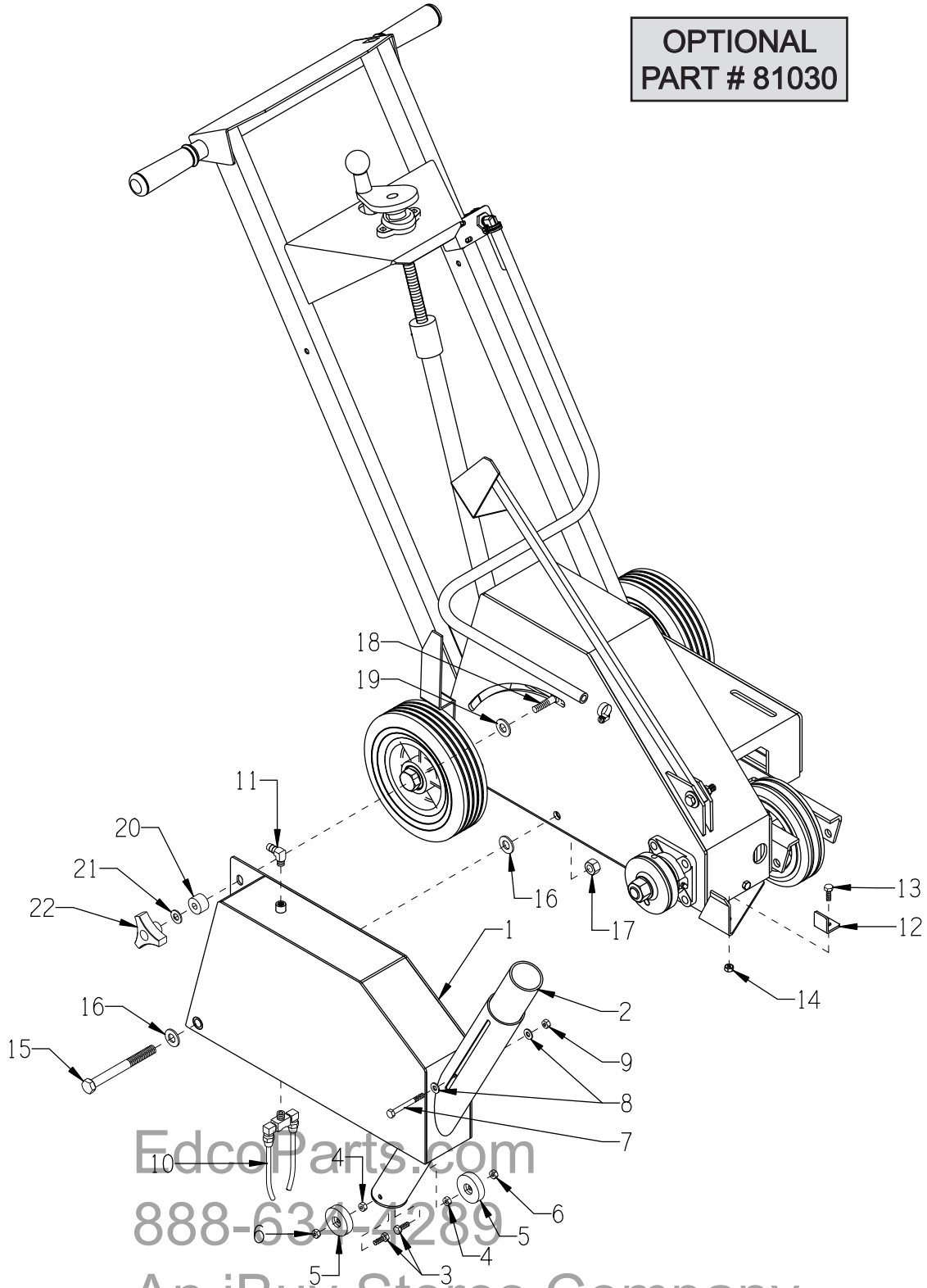
888-634-4289

An iBuy Stores Company

PARTS LISTING - ILLUSTRATION 2: ARBOR & BLADE GUARD GROUPING			
ITEM #	PART #	DESCRIPTION	QTY.
1	81008A	ARBOR ASSEMBLY, SB14 GAS/ELEC.	1
	81008B	ARBOR ASSEMBLY, ASB14 AIR POWERED	1
2	81008	ARBOR SHAFT W/ BACKING PLATE, SB-14	1
3	80005	ARBOR BLADE CAP 3-1/2" W/ 3/4"HOLE	1
4	10609	WASHER, LOCK, INT. TOOTH 3/4"	1
5	10403	NUT, HEX JAM 3/4-10 ZINC	1
6	77009	BEARING, BALL 3/4" 4-HOLE FLANGE	2
7	10088	KEY 3/16SQ X 2-1/2	1
8		SHEAVE...	1
	81011	3"OD X 3GR.A X 3/4"BORE (GAS & ELEC.)	
	80016	3"OD X 2GR.B X 3/4BORE (AIR POWERED)	
9	81007	BELT AX-33 (GASOLINE & ELECTRIC POWERED)	3
	10251	BELT B-34 (AIR POWERED)	2
10	10309	SCREW, CAP 3/8-24 X 1-1/4 ZINC	8
11	10811	WASHER, LOCK 3/8 ZINC	8
12	10014	NUT, HEX 3/8-24 ZINC	8
13	80004	GUARD, BLADE, SB-14	1
14	81004	NOZZLE, COOLANT 1/8MPT W/ 4"TUBES	1
15	65017	SCREW, CAP 1/2-20 X 5 ZINC	1
16	10312	WASHER, FLAT 1/2 SAE ZINC	3
17	10072	NUT, HEX 1/2-20 ZINC	1
		NOTE: USE RED LOCTITE™	
18	10087	BOLT, CARRIAGE 3/8-16 X 1-3/4	1
19	11741	WASHER, NYLON 1"OD X.518ID X.08THK	1
20	10034	BUSHING, RUBBER 1"OD X 3/8ID X 5/8T	1
21	10025	WASHER, FLAT 3/8 SAE ZINC	1
22	80011	KNOB, 3-PRONG W/ 3/8-16 THD.	1
23	11562	BARB ELBOW 90, 3/8HOSE X 1/8MPT	1
24	50069	CLAMP, HOSE, SAE #6, ADJ. TO 13/16	2
25	56317	HOSE, WATER 3/8"ID X 48"L (GAS & AIR)	1
	80039	HOSE, WATER 3/8"ID X 33"L (ELECTRIC)	1
26	10982	TIE, CABLE, BLACK NYLON 11-1/4"	1
27	10799	BARB ELBOW 90, 3/8HOSE X 1/4MPT	1
28	56022	BRACKET, WATER VALVE	1
		(MOUNTED ON OPP. SIDE FOR ELEC. UNITS)	
29	10711	VALVE, BALL 1/2 FPT	1
30	80021	CONN., SWIVEL FEM. 3/4HOSE X 1/2MPT	1
31	10846	SCREW, CAP STSHW 1/4-20 X 1/2	2
32	10038	WASHER, LOCK 1/4 ZINC	2

**ILLUSTRATION 3:
BLADE GUARD ASSEMBLY WITH 2" VACUUM PORT**

**OPTIONAL
PART # 81030**



EdcoParts.com

888-631-4289

An iBuy Stores Company

PARTS LISTING - ILLUSTRATION 3:			
BLADE GUARD ASSEMBLY WITH 2" VACUUM PORT (OPTIONAL)			
ITEM #	PART #	DESCRIPTION	QTY.
1-14	81030	GUARD ASSY. W/ VAC PORT, SB-14 (INCLUDES ITEMS 1 THRU 14)	1
1	81031	GUARD ONLY W/ VAC PORT, SB-14	1
2	81032	GUARD VAC PORT, SLIDING, SB-14	1
3	10018	SCREW, CAP 1/4-20 X 3/4	2
4	10013	NUT, HEX 1/4-20 ZINC	2
5	81033	WHEEL, BLADE GUARD VAC PORT, SB-14	2
6	10015	NUT, HEX LOCK 1/4-20 ZINC	2
7	11658	SCREW, CAP 1/4-20 X 2-3/4	1
8	10602	WASHER, FLAT 1/4 SAE ZINC	2
9	10150	NUT, HEX NYLON LOCK 1/4-20 ZINC	1
10*	81004	NOZZLE, COOLANT 1/8MPT W/ 4" TUBES	1
11*	11562	BARB ELBOW 90, 3/8 HOSE X 1/8 MPT	1
12	81034	BRKT., BLADE GUARD CENTERING, SB14	1
13	10018	SCREW, CAP 1/4-20 X 3/4	1
14	10015	NUT, HEX LOCK 1/4-20 ZINC	1
15*	65017	SCREW, CAP 1/2-20 X 5 ZINC	1
16*	10312	WASHER, FLAT 1/2 SAE ZINC	3
17*	10205	NUT, HEX LOCK 1/2-20 ZINC	1
18*	10087	BOLT, CARRIAGE 3/8-16 X 1-3/4	1
19*	11741	WASHER, NYLON 1" OD X .518 ID X .08 THK	1
20*	10034	BUSHING, RUBBER 1" OD X 3/8 ID X 5/8 T	1
21*	10025	WASHER, FLAT 3/8 SAE ZINC	1
22*	80011	KNOB, 3-PRONG W/ 3/8-16 THD.	1
*NOTE: THESE ITEMS ARE THE SAME ITEMS USED WITH THE STANDARD BLADE GUARD SHOWN IN ILLUSTRATION 2.			

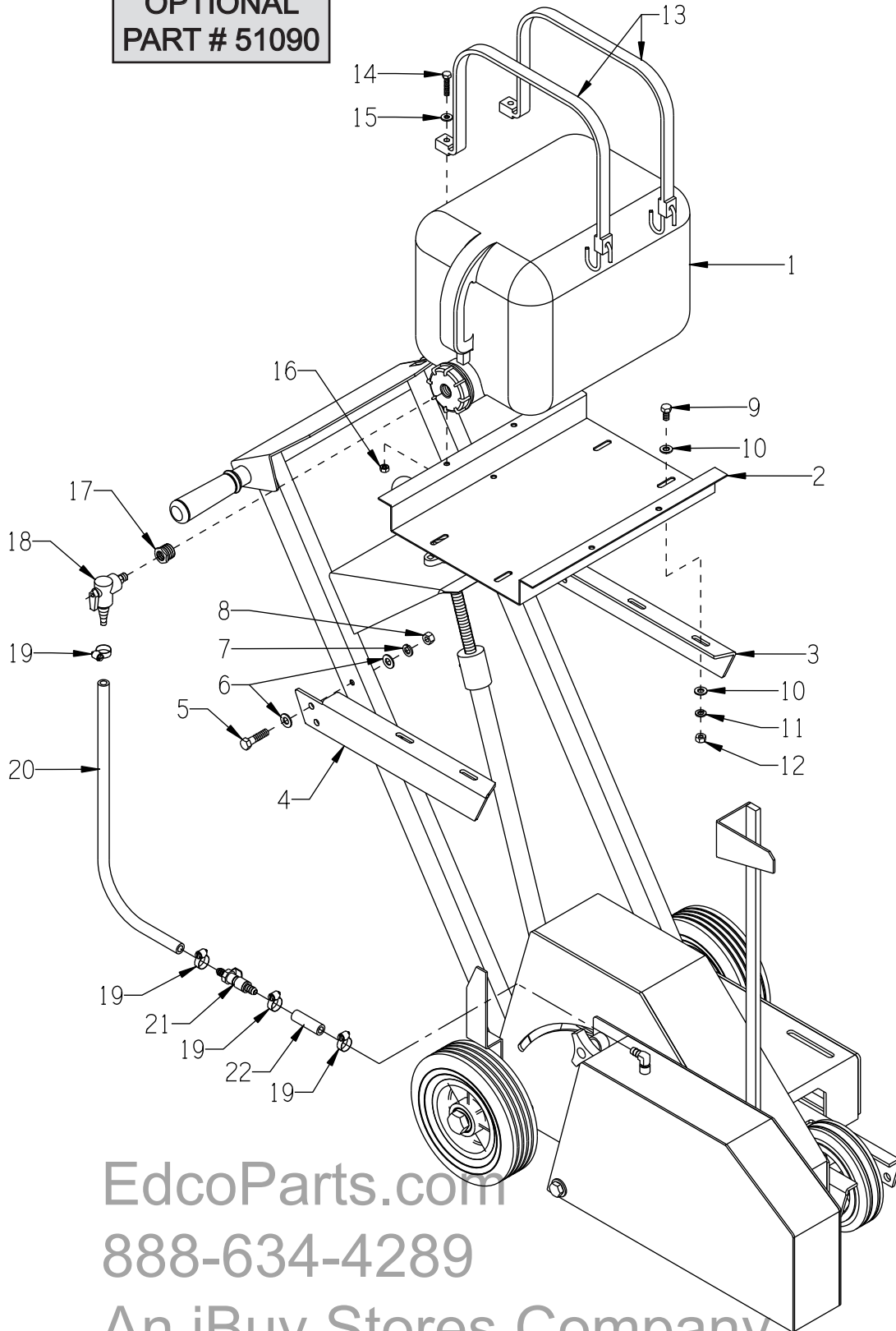
EdcoParts.com

888-634-4289

An iBuy Stores Company

ILLUSTRATION 4: WATER TANK ASSEMBLY

**OPTIONAL
PART # 51090**



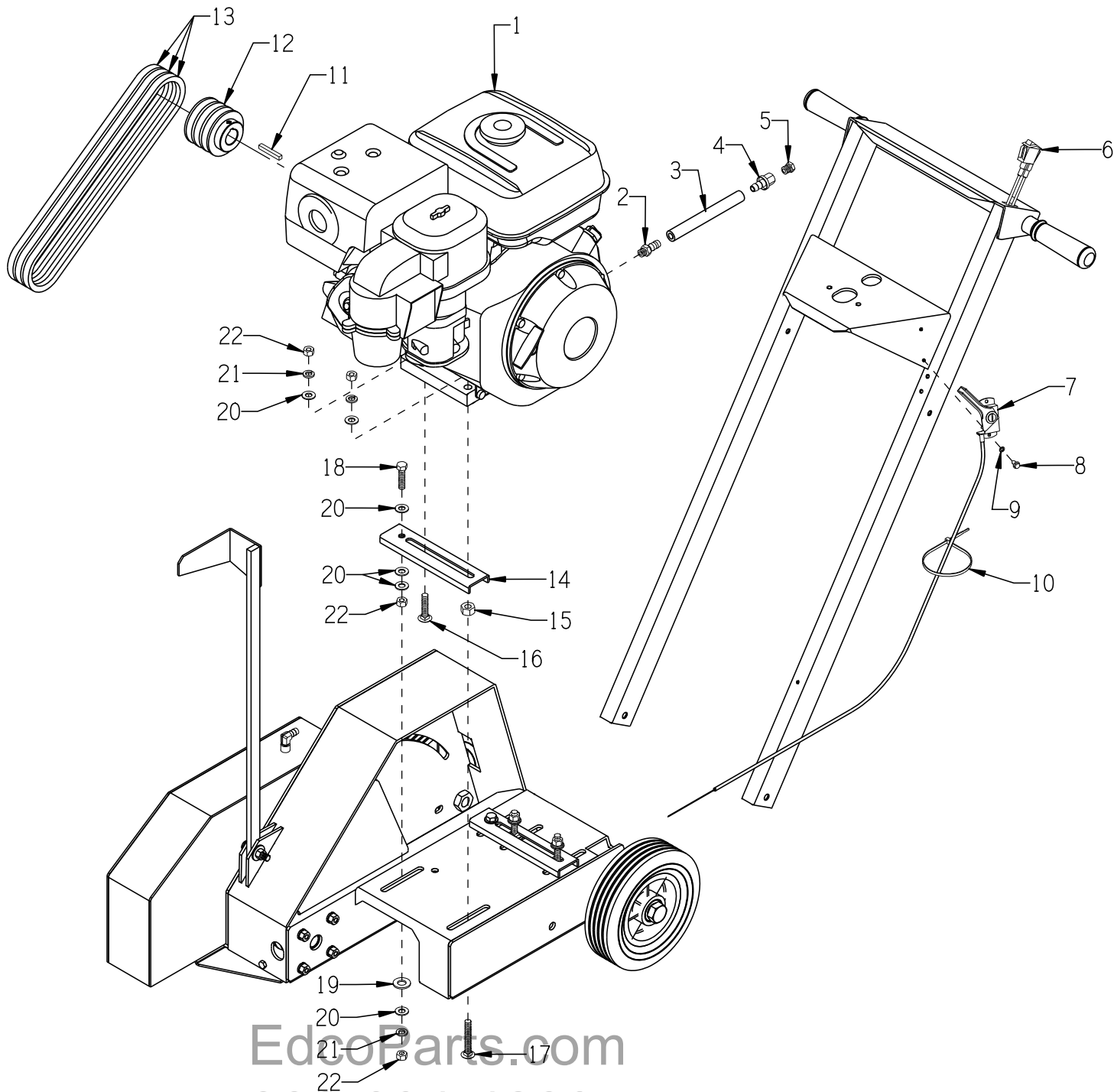
PARTS LISTING - ILLUSTRATION 4: WATER TANK ASSEMBLY			
OPTIONAL - PART # 51090			
ITEM #	PART #	DESCRIPTION	QTY.
1	52031	DRUM, PLASTIC 5 GALLON, 3/4NPT CAP	1
2	56311	TRAY, WATER TANK, SB-14	1
3	51092	MOUNT BRKT., WATER TANK, LEFT SIDE	1
4	51091	MOUNT BRKT., WATER TANK, RIGHT SIDE	1
5	10068	SCREW, CAP 3/8-16 X 1-1/2	4
6	10025	WASHER, FLAT 3/8 SAE ZINC	8
7	10811	WASHER, LOCK 3/8 ZINC	4
8	10404	NUT, HEX 3/8-16 ZINC	4
9	10053	SCREW, CAP 5/16-18 X 3/4	4
10	10213	WASHER, FLAT 5/16 SAE ZINC	8
11	10801	WASHER, LOCK 5/16 ZINC	4
12	10054	NUT, HEX 5/16-18 ZINC	4
13	52035	TIE-DOWN STRAP, MOLDED RUBBER 24"	2
14	10905	SCREW, CAP 1/4-20 X 1-1/4	2
15	10602	WASHER, FLAT 1/4 SAE ZINC	2
16	10150	NUT, HEX NYLON LOCK 1/4-20 ZINC	2
17	52034	BUSHING, HEX 3/4 X 1/4 NPT NYLON	1
18	56312	VALVE, BALL PVC 90°A 1/4MPT X BARB	1
19	50069	CLAMP, HOSE, SAE #6, ADJ. TO 13/16	4
20	56315	HOSE, WATER 3/8"ID X 24"L	1
21	11637	COUPLING, QUICK-DISCONNECT 3/8"	1
22	56316	HOSE, WATER 3/8"ID X 2"L	1

EdcoParts.com

888-634-4289

An iBuy Stores Company

ILLUSTRATION 5: ENGINE GROUPING



EdcoParts.com
888-634-4289

An iBuy Stores Company

PARTS LISTING - ILLUSTRATION 5: ENGINE GROUPING			
ITEM #	PART #	DESCRIPTION	QTY.
1	15029	ENGINE, HONDA GX390U1-QXC9 WITH CYCLONE AIR CLEANER	1
2	11542	BARB, PUSH-ON 3/8HOSE X M12-1.5MALE	1
3	56226	HOSE, PUSH-ON 3/8"ID X 6"L	1
4	11544	BARB, PUSH-ON 3/8 HOSE X 1/4FPT	1
5	10776	PIPE PLUG 1/4 NPT (BRASS)	1
6	15201A	SWITCH W/ WIRES, ROCKER RED ON-OFF ADDITIONAL PARTS REQ'D. (NOT SHOWN):	1
	50084	TERM., RING #10 16-14GA. INSULATED	1
	10877	SCREW, CAP STSHW 10-24 X 1/2	1
	10831	WASHER, LOCK, INT. TOOTH #10	1
	10970	CONN., WIRE QUICK-SPLICE 18-14 GA.	1
	36042	CLIP, NATURAL CORD, 1/8" X 1/4"	1
7	3611	CABLE, THROTTLE, LEVER-TYPE 54" (NOTE: TRIMMED TO 35")	1
8	10877	SCREW, CAP STSHW 10-24 X 1/2	2
9	10831	WASHER, LOCK, INT. TOOTH #10	2
10	10982	TIE, CABLE, BLACK NYLON 11-1/4"	2
11	10071	KEY 1/4SQ X 2-1/2	1
12	80027	SHEAVE 3"OD X 3GR.A X 1"BORE	1
13	81007	BELT AX-33 (1/2" x 35"OL)	3
14	81010	MOUNT BRKT., CHANNEL, SB-14	2
15	10205	NUT, HEX LOCK 1/2-20 ZINC (USED AS SPACER)	2
16	10087	BOLT, CARRIAGE 3/8-16 X 1-3/4	2
17	10335	BOLT, CARRIAGE 3/8-16 X 2-1/2 F.T.	2
18	10480	BOLT, TAP 3/8-16 X 1-1/2 (FULL THD)	2
19	10312	WASHER, FLAT 1/2 SAE ZINC	2
20	10025	WASHER, FLAT 3/8 SAE ZINC	12
21	10811	WASHER, LOCK 3/8 ZINC	6
22	10404	NUT, HEX 3/8-16 ZINC	6

EdcoParts.com

888-634-4289

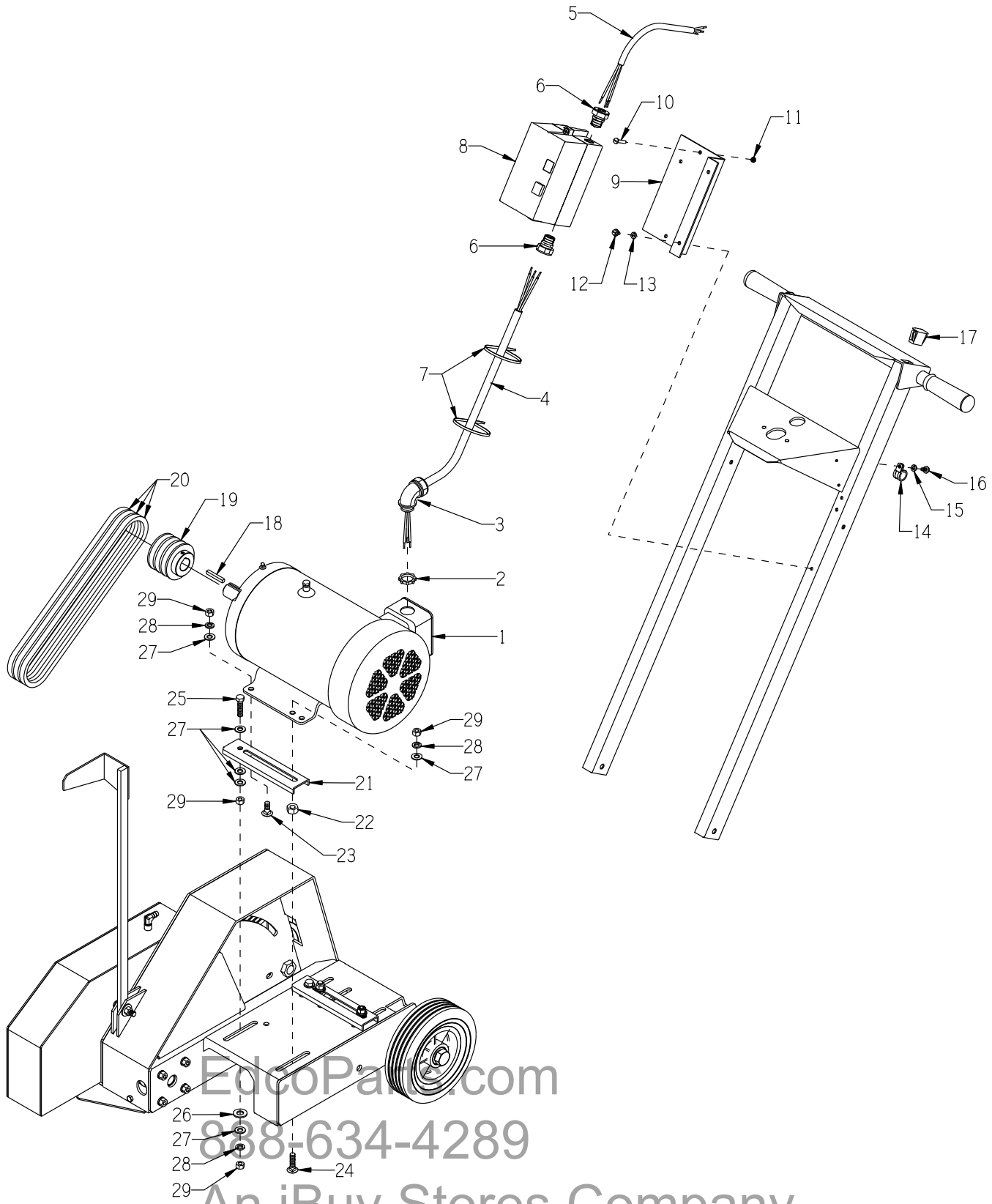
An iBuy Stores Company

PARTS LISTING - ILLUSTRATION 6: SINGLE PHASE MOTOR GROUPING			
ITEM #	PART #	DESCRIPTION	QTY.
1	81026	MOTOR, BALDOR 5HP-1PH 60HZ 3450RPM	1
	16121	REPLACEMENT PARTS: CAPACITOR, START, BALDOR EC1161C06	2
	16164	CAPACITOR, RUN, BALDOR #OC3040F09SP	1
	16540	RESET BUTTON, BALDOR TPBRT25DB	1
2	10740	CONDUIT LOCK NUT 3/4 NP (INSIDE JUNCTION BOX)	1
3	16539	STRAIN RELIEF 90D X 3/4NPT .50-.625	1
4	81035	WIRE HARNESS 10/3 X 30"LOA	1
5	81036	WIRE HARNESS 10/3 X 40"LOA	1
6	40037	PLUG, LOCKING 20A/250V L6-20P	1
7	40000	CONNECTOR, LOCKING 20A/250V L6-20C	1
8	10982	TIE, CABLE, BLACK NYLON 11-1/4"	3
9	41130	STRAIN RELIEF 1/2NPT X .550-.650"	2
10	77043-1	SWITCH ADAPTER, PG16 TO 1/2"NPT	2
11	77043	SWITCH, ROTARY CAM ON/OFF	1
12	77042	BRACKET, ROTARY CAM SWITCH	1
13	11663	SCREW, MACHINE 8-32 X 1/2 RHCD ZINC (INSIDE SWITCH BOX)	4
14	10462	NUT, KEPS LOCK 8-32 ZINC	4
15	10846	SCREW, CAP STSHW 1/4-20 X 1/2	2
16	10038	WASHER, LOCK 1/4 ZINC	2
17	11565	CLAMP, LOOM, 5/8" (SAE SIZE 10)	4
18	15204	PLUG, RECT. HOLE, PLASTIC SNAP-IN	1
19	-----	KEY 1/4"SQ (INCLUDED WITH MOTOR)	1
20	81006	SHEAVE 3"OD X 3GR.A X 1-1/8"BORE	1
21	81007	BELT AX-33 (1/2" x 35"OL)	3
22	81010	MOUNT BRKT., CHANNEL, SB-14	2
23	10205	NUT, HEX LOCK 1/2-20 ZINC (USED AS SPACER)	2
24	10802	BOLT, CARRIAGE 3/8-16 X 1 ZINC	2
25	10804	BOLT, CARRIAGE 3/8-16 X 1-1/2 F.T.	2
26	10480	BOLT, TAP 3/8-16 X 1-1/2 (FULL THD)	2
27	10312	WASHER, FLAT 1/2 SAE ZINC	2
28	10025	WASHER, FLAT 3/8 SAE ZINC	12
29	10811	WASHER, LOCK 3/8 ZINC	6
30	10404	NUT, HEX 3/8-16 ZINC	6

888-634-4289

An iBuy Stores Company

ILLUSTRATION 7: THREE PHASE MOTOR GROUPING

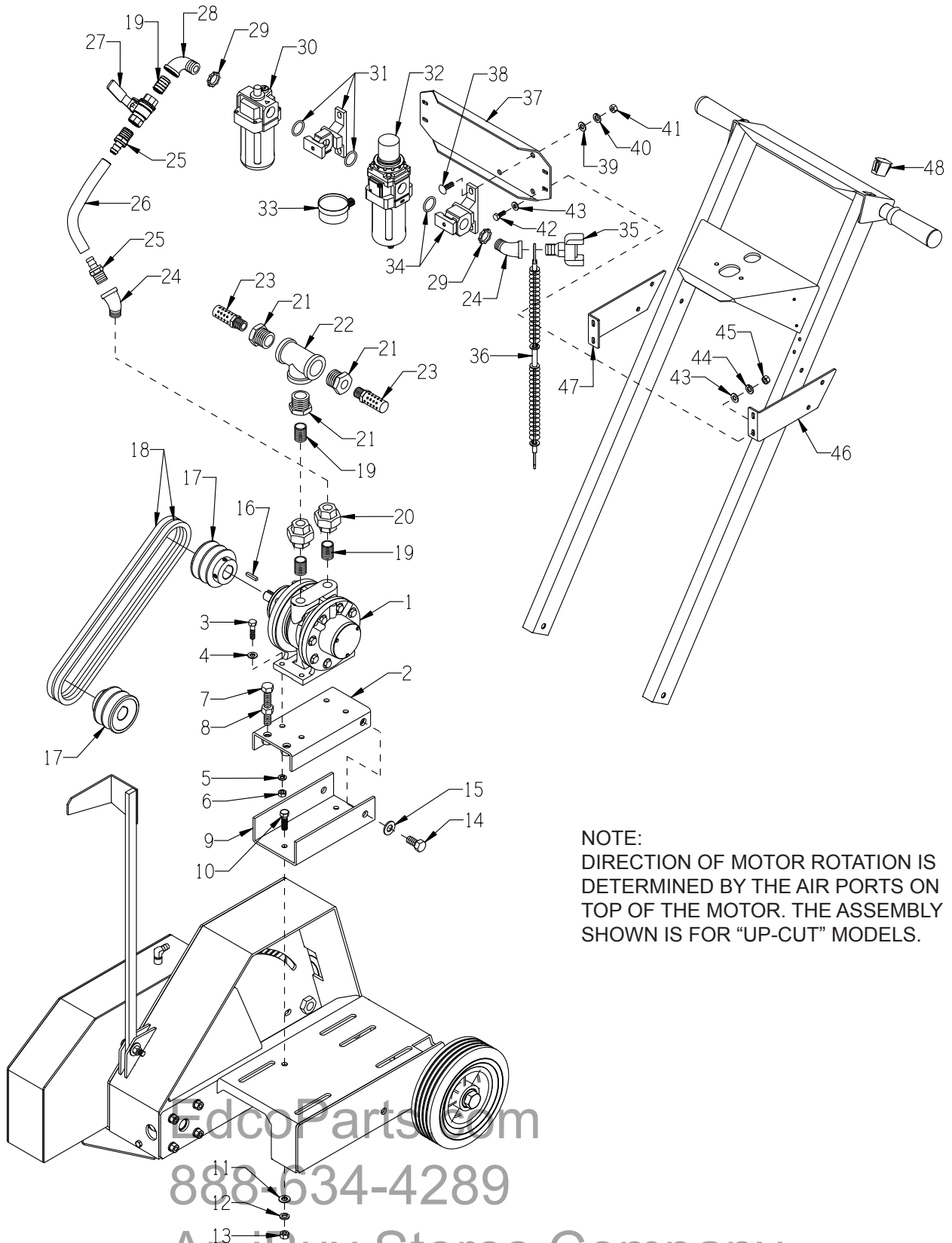


PARTS LISTING - ILLUSTRATION 7: THREE PHASE MOTOR GROUPING			
ITEM #	PART #	DESCRIPTION	QTY.
1	81022	MOTOR, BALDOR 5HP-3PH-60HZ-230/460V	1
2	10740	CONDUIT LOCK NUT 3/4 NP (INSIDE JUNCTION BOX)	1
3	16539	STRAIN RELIEF 90D X 3/4NPT .50-.625	1
4	86023	WIRE HARNESS 12/4 X 42"LOA	1
5	86022	WIRE HARNESS 12/4 X 26"LOA	1
6	41053	STRAIN RELIEF 1/2NPT X .625-.750"	2
7	10982	TIE, CABLE, BLACK NYLON 11-1/4"	2
8	16405	STARTER ACI #128841 START-STOP 200/240V COIL 11.3-16A	1
	16406	STARTER ACI 440/480V COIL 5.5-7.5A O/L	1
		REPLACEMENT PARTS:	
	16617	STARTER CONT./COIL ACI SK18.310-230	1
	16618	STARTER CONT./COIL ACI SK18.310-460	1
	16622	STARTER AC COIL 200/240V-60HZ	1
	16623	STARTER AC COIL 440/480V-60HZ	1
	16632	STARTER OVERLOAD RELAY 5.5-7.5 AMP	1
16635	STARTER OVERLOAD RELAY 11.3-16.0 AMP	1	
9	86027	MOUNTING BRKT., STARTER (ACI)	1
10	11732	SCREW, MACHINE 10-32 X 1-3/4 RHP (INSIDE STARTER)	2
	10384	SCREW, MACHINE 10-32 X 1 RHP (INSIDE STARTER)	1
11	10832	NUT, KEPS LOCK 10-32 ZINC	2
12	10846	SCREW, CAP STSHW 1/4-20 X 1/2	2
13	10038	WASHER, LOCK 1/4 ZINC	2
14	11565	CLAMP, LOOM, 5/8" (SAE SIZE 10)	1
15	10831	WASHER, LOCK, INT. TOOTH #10	1
16	10877	SCREW, CAP STSHW 10-24 X 1/2	1
17	15204	PLUG, RECT. HOLE, PLASTIC SNAP-IN	1
18	-----	KEY 1/4"SQ (INCLUDED WITH MOTOR)	1
19	81006	SHEAVE 3"OD X 3GR.A X 1-1/8"BORE	1
20	81007	BELT AX-33 (1/2" X 35"OL)	3
21	81010	MOUNT BRKT., CHANNEL, SB-14	2
22	10205	NUT, HEX LOCK 1/2-20 ZINC (USED AS SPACER)	2
23	10802	BOLT, CARRIAGE 3/8-16 X 1 ZINC	2
24	10804	BOLT, CARRIAGE 3/8-16 X 1-1/2 F.T.	2
25	10480	BOLT, TAP 3/8-16 X 1-1/2 (FULL THD)	2
26	10312	WASHER, FLAT 1/2 SAE ZINC	2
27	10025	WASHER, FLAT 3/8 SAE ZINC	12
28	10811	WASHER, LOCK 3/8 ZINC	6
29	10404	NUT, HEX 3/8-16 ZINC	6

EdcoParts.com
888-634-4289

An iBuy Stores Company

ILLUSTRATION 8: AIR MOTOR GROUPING



NOTE:
 DIRECTION OF MOTOR ROTATION IS
 DETERMINED BY THE AIR PORTS ON
 TOP OF THE MOTOR. THE ASSEMBLY
 SHOWN IS FOR "UP-CUT" MODELS.

PARTS LISTING - ILLUSTRATION 8: AIR MOTOR GROUPING

ITEM	PART #	DESCRIPTION	QTY.	ITEM	PART #	DESCRIPTION	QTY.
1	80050	MOTOR, GAST AIR 5 HP 8AM-FRV-2B	1	26	80063	HOSE, PUSH-ON 1/2"ID X 6-1/2"L	1
2	80065	MOUNT, AIR MOTOR, ASB-14	1	27	10711	VALVE, BALL 1/2 FPT	1
3	10606	SCREW, CAP 5/16-18 X 1-1/4	4	28	10724	ELBOW, STREET 1/2NPT X 90	1
4	10213	WASHER, FLAT 5/16 SAE ZINC	4	29	10790	CONDUIT LOCK NUT 1/2 NP	2
5	10801	WASHER, LOCK 5/16 ZINC	4	30	80071	LUBRICATOR, 1/2 NPT SMC AL40-N04-Z	1
6	10054	NUT, HEX 5/16-18 ZINC	4	31	80072	BRACKET, T-TYPE, SMC Y40T (INCLUDES 2 O-RINGS)	1
7	10340	BOLT, TAP 1/2-13 X 3 (FULL THREAD)	2	32	80070	FILTER/REG., 1/2NPT SMC AW40-N04H-Z	1
8	10417	NUT, HEX 1/2-13 ZINC	2	33	C90207	GAUGE, AIR PRESSURE, SIDE STEM	1
9	80066	BRACKET, MOTOR MOUNT	1	34	80073	BRACKET, PIPING ADAPTOR, T-TYPE, SMC E40T-N04 (INCLUDES O-RING)	1
10	10309	SCREW, CAP 3/8-24 X 1-1/4	3	35	80075	COUPLER, AIR HOSE, 1/2 MPT	1
11	10025	WASHER, FLAT 3/8 SAE ZINC	3	36	63040	CABLE, WHIPCHEK SAFETY 1/8 X 20-1/4	1
12	10811	WASHER, LOCK 3/8 ZINC	3	37	80074	BRACKET, F.R.L. MOUNTING	1
13	10014	NUT, HEX 3/8-24 ZINC	3	38	10819	BOLT, CARRIAGE 5/16-18 X 1	4
14	10914	SCREW, CAP 1/2-13 X 1	2	39	10213	WASHER, FLAT 5/16 SAE ZINC	4
15	10312	WASHER, FLAT 1/2 SAE ZINC	2	40	10801	WASHER, LOCK 5/16 ZINC	4
16	-----	KEY 3/16 X 1 (INCLUDED W/ MOTOR)	1	41	10054	NUT, HEX 5/16-18 ZINC	4
17	80016	SHEAVE 3"OD X 2GR.B X 3/4B	2	42	10018	SCREW, CAP 1/4-20 X 3/4	4
18	10251	BELT B-34 (21/32" x 37"OL)	2	43	10602	WASHER, FLAT 1/4 SAE ZINC	8
19	10728	PIPE NIPPLE, CLOSE 1/2NPT	4	44	10038	WASHER, LOCK 1/4 ZINC	4
20	80060	PIPE UNION 1/2 NPT (GALV.)	2	45	10013	NUT, HEX 1/4-20 ZINC	4
21	80057	BUSHING, HEX 1 X 1/2 NPT (GALV.)	3	46	80077	MOUNTING BRKT., FRL LEFT SIDE	1
22	80056	PIPE TEE, FEMALE 1"NPT (GALV.)	1	47	80076	MOUNTING BRKT., FRL RIGHT SIDE	1
23	80055	MUFFLER, AIR MOTOR, 1/2NPT MALE	2	48	15204	PLUG, RECT. HOLE, PLASTIC SNAP-IN	1
24	10734	ELBOW, STREET 1/2NPT X 45	1				
25	80061	BARB, PUSH-ON 1/2HOSE X 1/2MPT	2				

EdcoParts.com

888-634-4289

An iBuy Stores Company

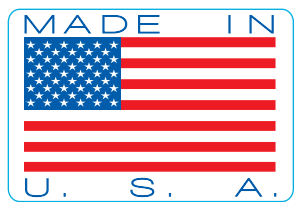
DECALS

SK-14 14 x 17
P/N 92212 Rev. B

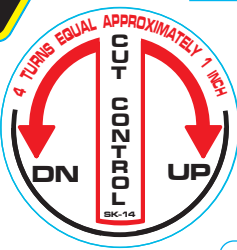


exceeds 85dBA

CHECK OIL DAILY



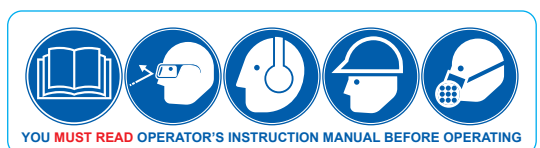
CALIFORNIA PROPOSITION 65 WARNING
The engine exhaust from this product contains chemicals known to the State of California to cause cancer, birth defects or other reproductive harm.



GREASE BEARINGS
DAILY

⚠ DANGER
BEFORE CUTTING INTO ANY SURFACE,
INSURE THERE ARE NO BURIED GAS,
ELECTRICAL, HIGH PRESSURE AIR,
SEWER OR WATER LINES

NOTE: Locate this decal so it is visible from operator's position



THROTTLE



WARNING
THERE IS NO OIL IN THIS MACHINE

RENTAL-TOUGH

DECALS

RESET

OFF

NO

ROTATION

230 VOLTS

SINGLE PHASE

460 VOLTS

THREE PHASE

STOP

START

Electric-1 4 x 7
P/N 92206 Rev. A

Reset Switch
P/N 91332

IMPORTANT NOTE:
Make sure the ON/OFF power switch is in the **OFF** position before pressing the reset button on the motor. Failure to do so could cause bodily harm and damage to the machine and/or work surface.

NOTE:
Locate this decal so it is visible, close to and pointing at the **MANUAL RESET** button located on the motor

Reset Switch
P/N 91333

IMPORTANT NOTE:
Make sure the ON/OFF power switch is in the **OFF** position before pressing the reset button on starter box. Failure to do so could cause bodily harm and damage to the machine and/or work surface.

NOTE:
Locate this decal so it is visible, close to and pointing at the **MANUAL RESET** button located on starter box

CAUTION

GENERATOR SIZE REQUIREMENT

RATE GENERATOR AT 3 TIMES MOTOR RATED HORSEPOWER

NOTE: Locate this decal so it is visible from operator's position on all electric machines

PN: 91326

EdcoParts.com

888-634-4289

An iBuy Stores Company