

# PARTS MANUAL



***WHITEMAN* SERIES**  
**MODEL WPB16**  
**(RECOIL START)**

**MODEL WPB16E**  
**(ELECTRIC START)**  
**POWER BUGGY**

Revision #10 (09/28/09)

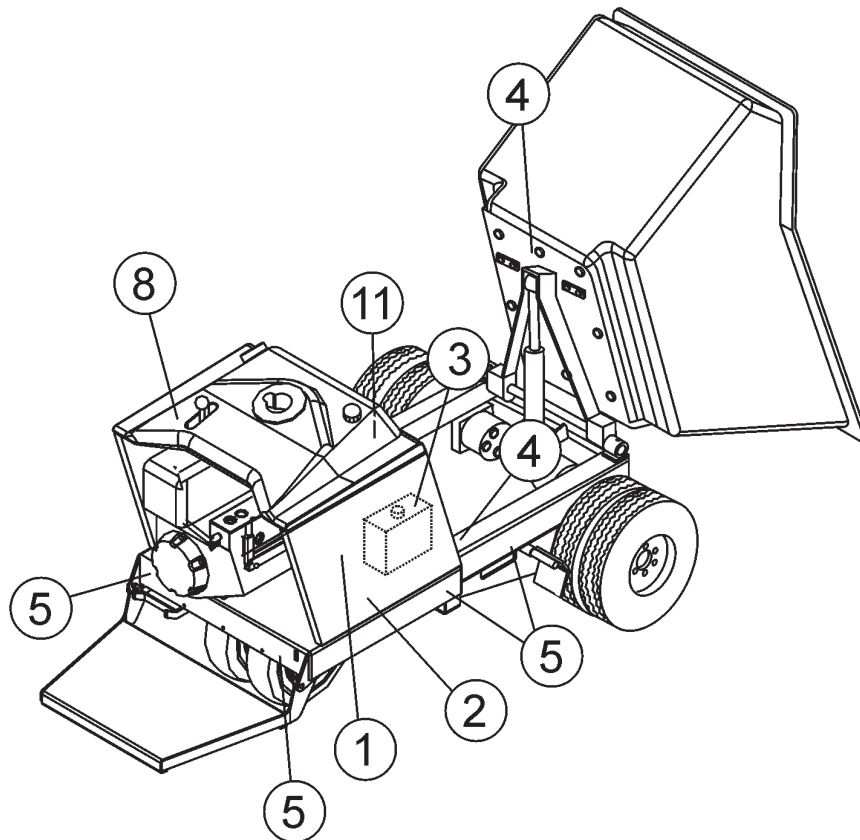
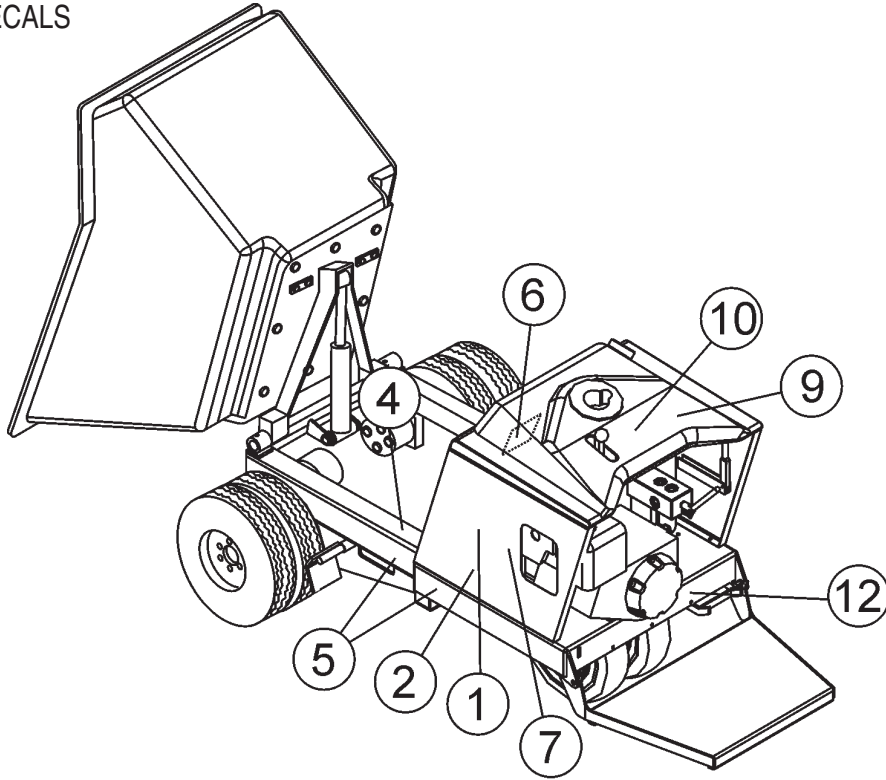
To find the latest revision of this  
publication, visit our website at:  
[www.multiquip.com](http://www.multiquip.com)



**THIS MANUAL MUST ACCOMPANY THE EQUIPMENT AT ALL TIMES.**

# WPB-16 POWER BUGGY — NAMEPLATE AND DECALS

## NAMEPLATE AND DECALS



# WPB-16 POWER BUGGY — NAMEPLATE AND DECALS

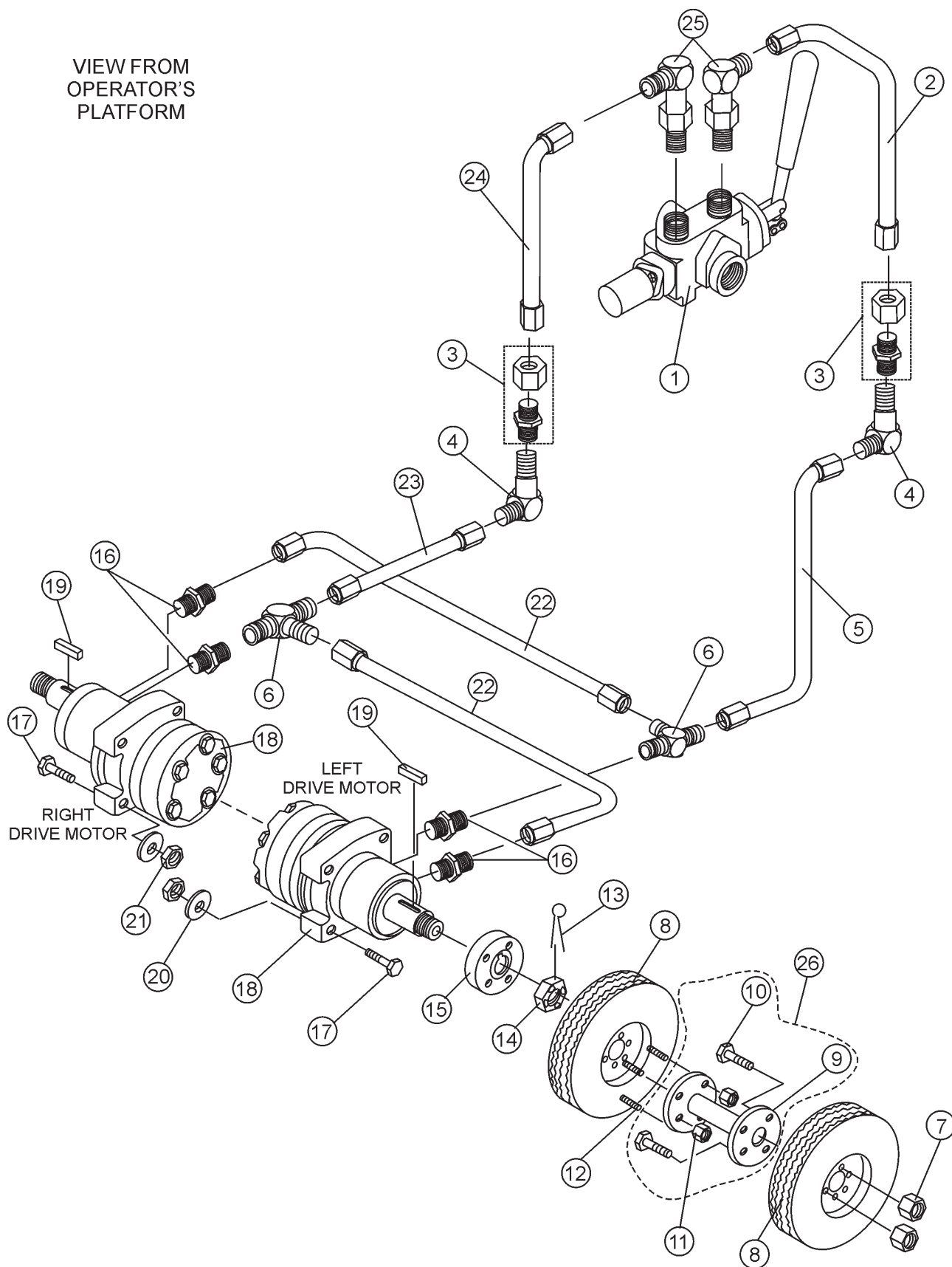
## NAMEPLATE AND DECALS

<u>NO.</u>	<u>PART NO.</u>	<u>PART NAME</u>	<u>QTY.</u>	<u>REMARKS</u>
1	18252	DECAL, WPB-16	2	
1	TBD	DECAL, WPB-16E	2	
2	18251	DECAL, MQ WHITEMAN	2	
3	EM985	DECAL, HYDRAULIC OIL	1	
4	513608	DECAL, LIFTING HOOK	3	
5	18245	DECAL, FORKLIFT LIFTING	6	
6	18247	DECAL, CRUSH WARNING	1	
7	18248	DECAL, HOT SURFACE WARNING	1	
8	18213	DECAL, BUCKET DUMP LEVER	1	
9	18214	DECAL, TRAVEL LEVER DIRECTION	1	
10	18195	DECAL, WHITEMAN SAFTEY INSTRUCTIONS	1	
11	18225	DECAL, GASOLINE ONLY	1	
12	513524	PLATE, SERIAL NUMBER.....	1	..... CONTACT MULTIQUIP PARTS ..... DEPT.

# WPB-16 POWER BUGGY — HYDRAULIC DRIVE ASSY.

HYDRAULIC DRIVE ASSY.

VIEW FROM  
OPERATOR'S  
PLATFORM



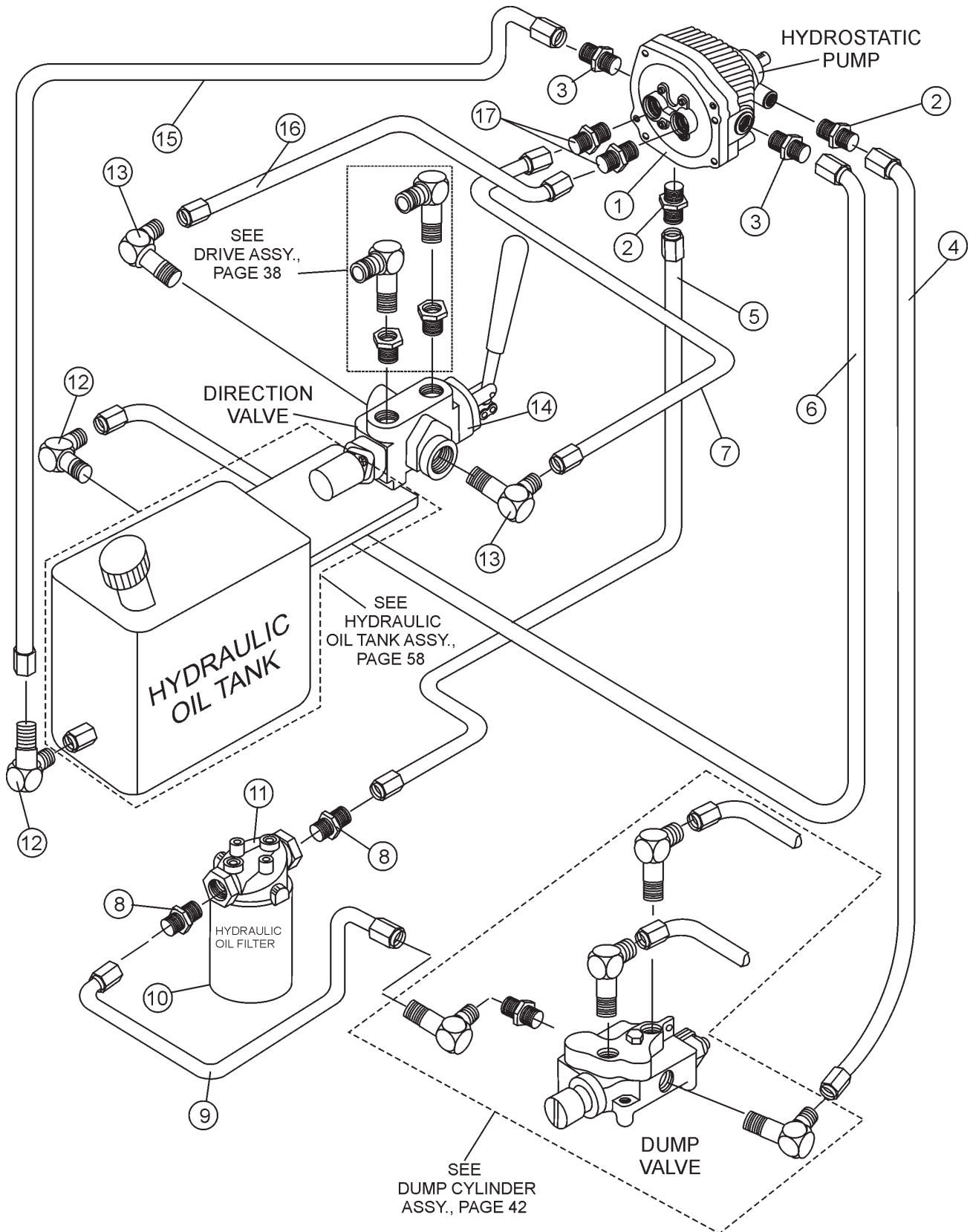
# WPB-16 POWER BUGGY — HYDRAULIC DRIVE ASSY.

## HYDRAULIC DRIVE ASSY.

<u>NO.</u>	<u>PART NO.</u>	<u>PART NAME</u>	<u>QTY.</u>	<u>REMARKS</u>
1	18058	VALVE, DIRECTION CONTROL	1	
2	18264M	HOSE, DIRECTION VALVE TO DRV. MOTOR	1	
3	512202	ADAPTER, STRAIGHT ASSY	2	
4	512201	ADAPTER, ELBOW	2	
5	18276M	HOSE, LH HYDRAULIC MOTOR	1	
6	512189	ADAPTER, T - CONNECTOR	2	
7	492527	NUT, HEX 1/2-20	8	
8	18029	WHEEL, DRIVE ASSY. FRONT	4	
9*	511692	FLANGE, HUB	2	
10*	18237	LUG BOLT/HUB FLANGE	8	
11	492584	NUT, HEX 1/2-13 NYLON .....	8	REPLACES 6109160
12	18190	SCREW, HUB STUD 1/2-13X 3 IN.	8	
13	491689	KEY, COTTER 1/8 X 2	2	
14	PT018038	NUT, CASTLE 1-1/8-18	2	
15	18040	HUB, DRIVE	2	
16	3365	ADAPTER, STRAIGHT	6	
17	505718	SCREW, HHC 1/2-13 X 2-3/4	8	
18	18011	MOTOR, HYDRAULIC DRIVE	2	
19	PE449105	KEY, WOODRUFF 1-1/4 32 MM	2	
20	492600	WASHER, FLAT 1/2	8	
21	492584	NUT, NYLOC 1/2-13	8	
22	18027	HOSE, DRIVER MOTOR CROSSOVER	2	
23	18275M	HOSE, RH HYDRAULIC MOTOR	1	
24	18265M	HOSE, DIRECTION VALVE TO DRV. MOTOR	1	
25	3322	ADAPTER	2	
26	511528	FLANGE HUB ASSY. ....	1	INCLUDES ITEMS W/*

# WPB-16 POWER BUGGY — HYDRAULIC PUMP ASSY.

## HYDRAULIC PUMP ASSY.



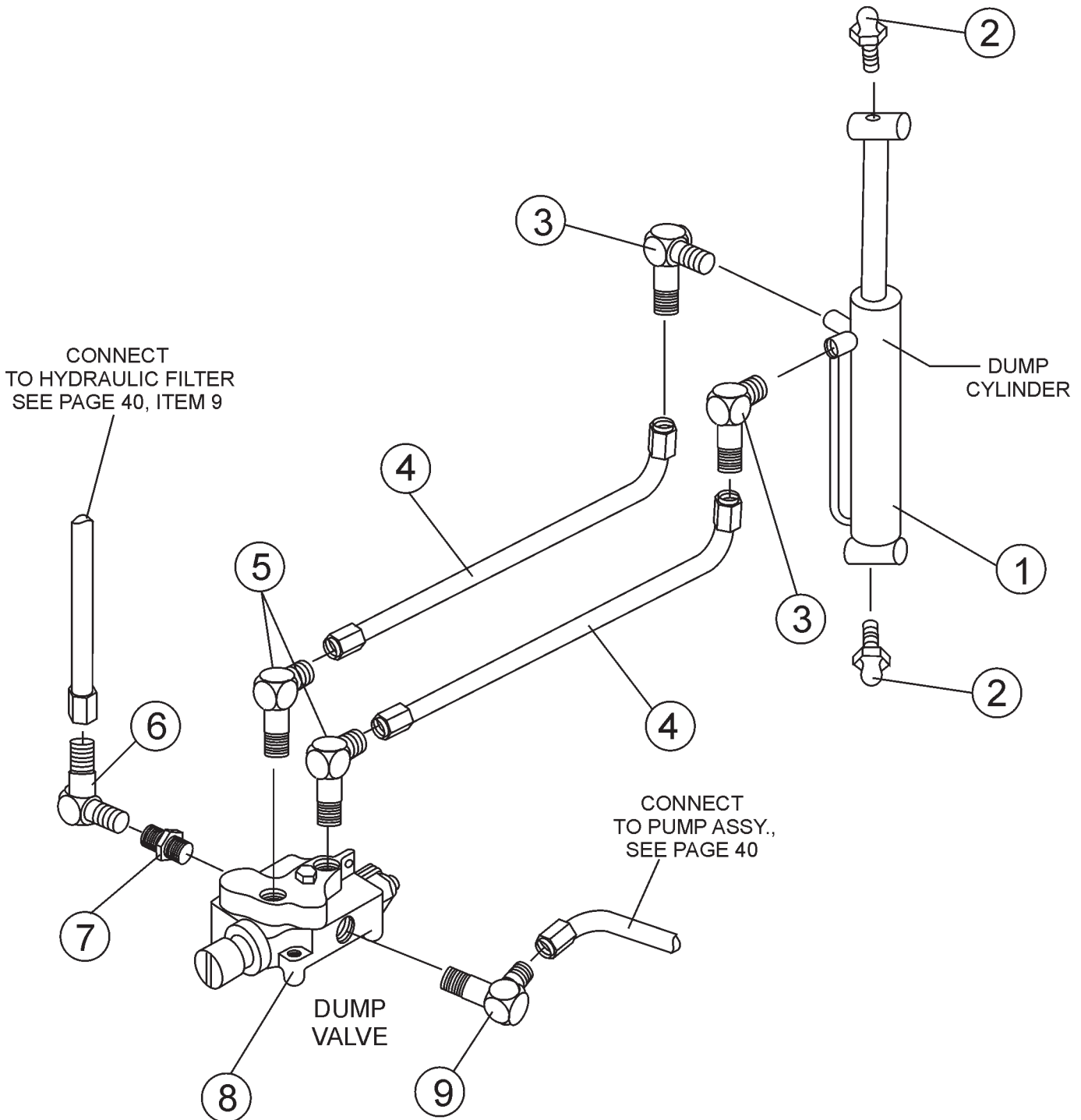
## WPB-16 POWER BUGGY — HYDRAULIC PUMP ASSY.

### HYDRAULIC PUMP ASSY.

<u>NO.</u>	<u>PART NO.</u>	<u>PART NAME</u>	<u>QTY.</u>	<u>REMARKS</u>
1	18035	PUMP, HYDRAULIC	1	
2	511808	ADAPTER, STRAIGHT	2	
3	3365	ADAPTER, STRAIGHT	6	
4	18256M	HOSE, PUMP TO DUMP VALVE	1	
5	18258M	HOSE, FILTER TO PUMP	1	
6	18261M	HOSE, PUMP TO TANK	1	
7	18263M	HOSE, PUMP TO DIREC. VALVE	1	
8	512190	ADAPTER, STRAIGHT	2	
9	18257M	HOSE, FILTER TO DUMP VALVE	1	
10	508667	FILTER	1	
11	508664	SUPPORT, FILTER	1	
12	511799	ADAPTER, ELBOW	2	
13	3322	ADAPTER, ELBOW	1	
14	18058	VALVE, DIRECTION CONTROL	1	
15	18262M	HOSE, TANK TO PUMP	1	
16	18266M	HOSE, PUMP TO DIRECTION VALVE	1	
17	3322	ADAPTER	2	

# WPB-16 POWER BUGGY — HYDRAULIC DUMP ASSY.

## HYDRAULIC DUMP ASSY.



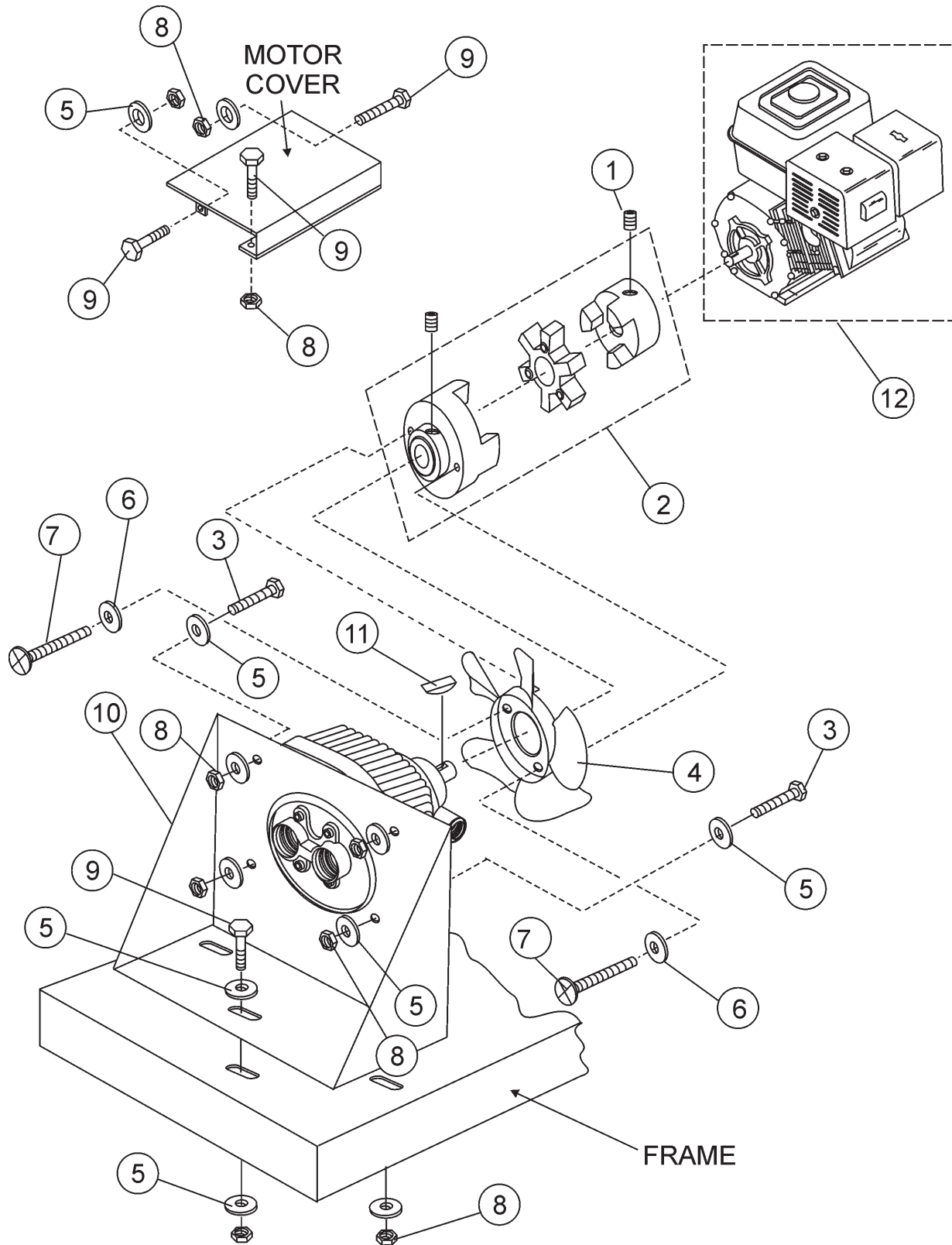
## WPB-16 POWER BUGGY — HYDRAULIC DUMP ASSY

### HYDRAULIC DUMP ASSY.

<u>NO.</u>	<u>PART NO.</u>	<u>PART NAME</u>	<u>QTY.</u>	<u>REMARKS</u>
1	18022	PISTON, HYD. DUMP	1	
2	491705	ZERK FITTING	2	
3	511803	ADAPTER, ELBOW	2	
4	18020	HOSE, DUMP VALVE TO HYD. PISTON	2	
5	511804	ADAPTER, STRAIGHT	2	
6	512234	ADAPTER, ELBOW	1	
7	511806	ADAPTER, STRAIGHT	1	
8	18064	VALVE, DUMP	1	
9	506191	ADAPTER, ELBOW	1	

# WPB-16 POWER BUGGY — PUMP AND COUPLING ASSY.

PUMP AND COUPLING ASSY.



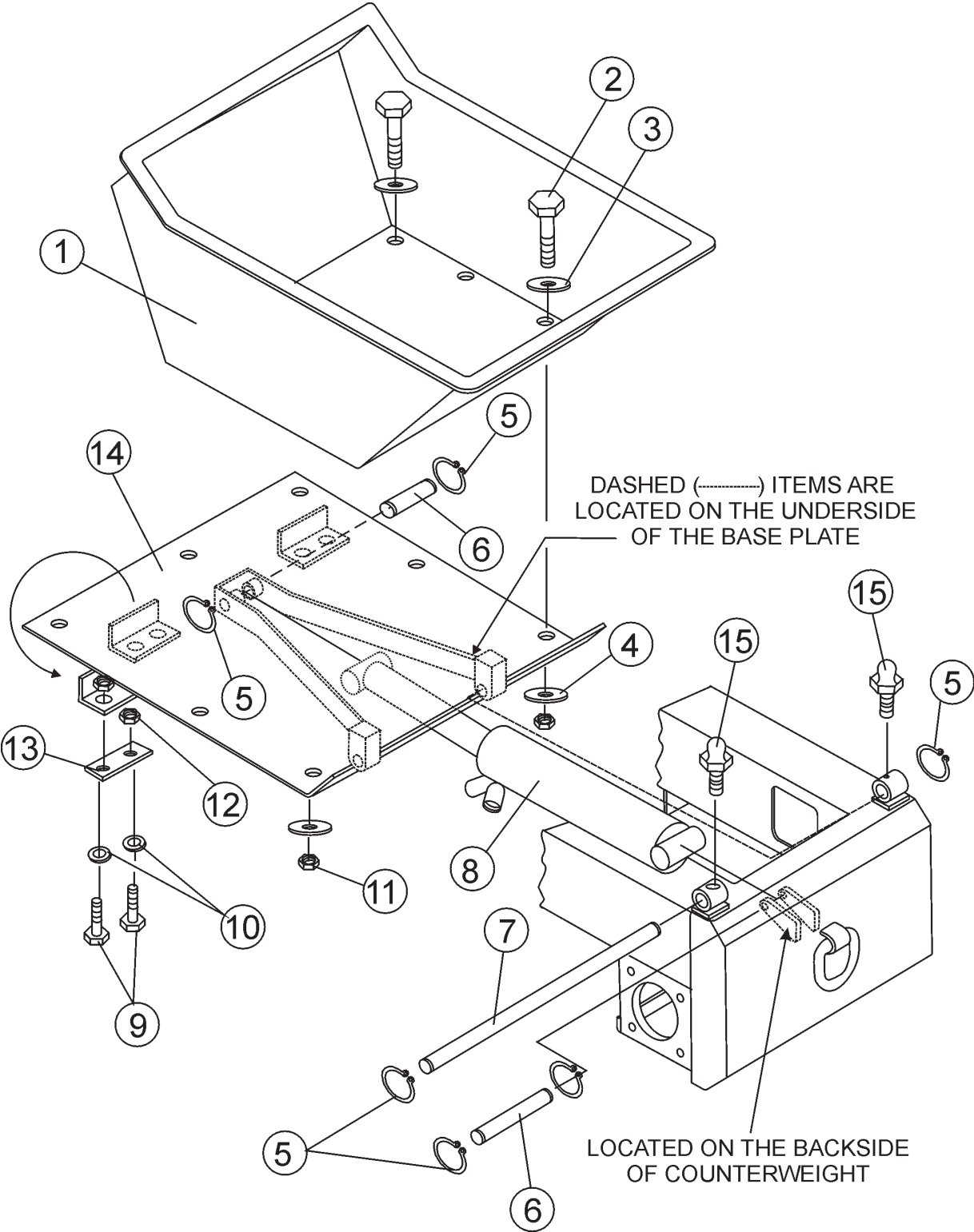
## WPB-16 POWER BUGGY — PUMP AND COUPLING ASSY.

### PUMP AND COUPLING ASSY.

<u>NO.</u>	<u>PART NO.</u>	<u>PART NAME</u>	<u>QTY.</u>	<u>REMARKS</u>
1	492472	SCREW, ALLEN HEAD 3/8-16 X 3/4	2	
2	511719	COUPLING, ENGINE SHAFT	1	
3	503112	SCREW, HEX 3/8-16 X 2-3/4	4	
4	18112	FAN	1	
5	492598	WASHER, FLAT 3/8	14	
6	492596	WASHER, FLAT 1/4	2	
7	492355	SCREW, HHC 1/4-20 X 1/2	2	
8	492583	NUT, NYLOC 3/8-16	7	
9	492313	SCREW, HHC 3/8-16 X 1-1/2	3	
10	512196	BRACKET, HYD. PUMP MOUNTING	1	
11	506250	KEY, WOODRUFF	1	
12	GX390K1QA2	ENGINE, HONDA GX390K1QA2 13.0 HP	1	RECOIL START
12	GX390K1QAE2	ENGINE, HONDA GX390K1QAE2 13.0 HP	1	ELECTRIC START

# WPB-16 POWER BUGGY — TUB ASSY.

TUB ASSY.



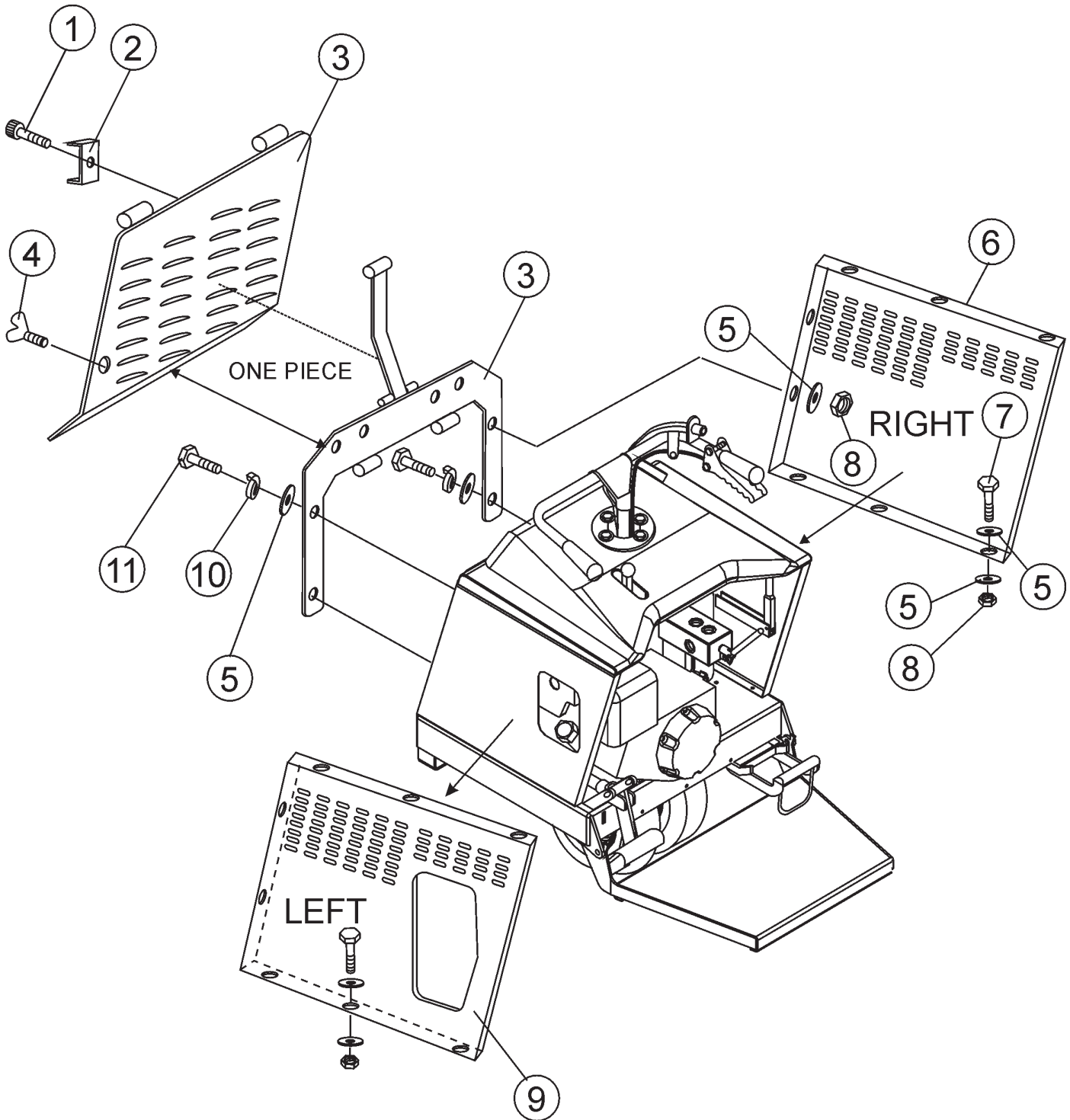
## WPB-16 POWER BUGGY — TUB ASSY.

TUB ASSY.

<u>NO.</u>	<u>PART NO.</u>	<u>PART NAME</u>	<u>QTY.</u>	<u>REMARKS</u>
1	18004	TUB, PLASTIC	1	
2	492313	SCREW, HHC 3/8-16 X 1-1/2	9	
3	512193	WASHER, FLAT 3/8 LARGE	9	
4	492598	WASHER, FLAT 3/8	9	
5	490957	RING, SNAP	6	
6	18130	PIN, HYD. PISTON CROSS	2	
7	18129	PIN, TUB FRAME CROSS	1	
8	18022	CYLINDER, HYDRAULIC DUMP	2	
9	492365	SCREW, HHC 5/16-18 X 1-1/4	4	
10	492597	WASHER, FLAT 9.5 X 22.2	8	
11	492583	NUT, NYLOC 3/4-16	9	
12	492582	NUT, NYLOC 5/16-18	4	
13	512279	SUPPORT, BUM STOP	2	
14	18099	FRAME, TUB MOUNT	1	

# WPB-16 POWER BUGGY — PANEL ASSY.

PANEL ASSY.



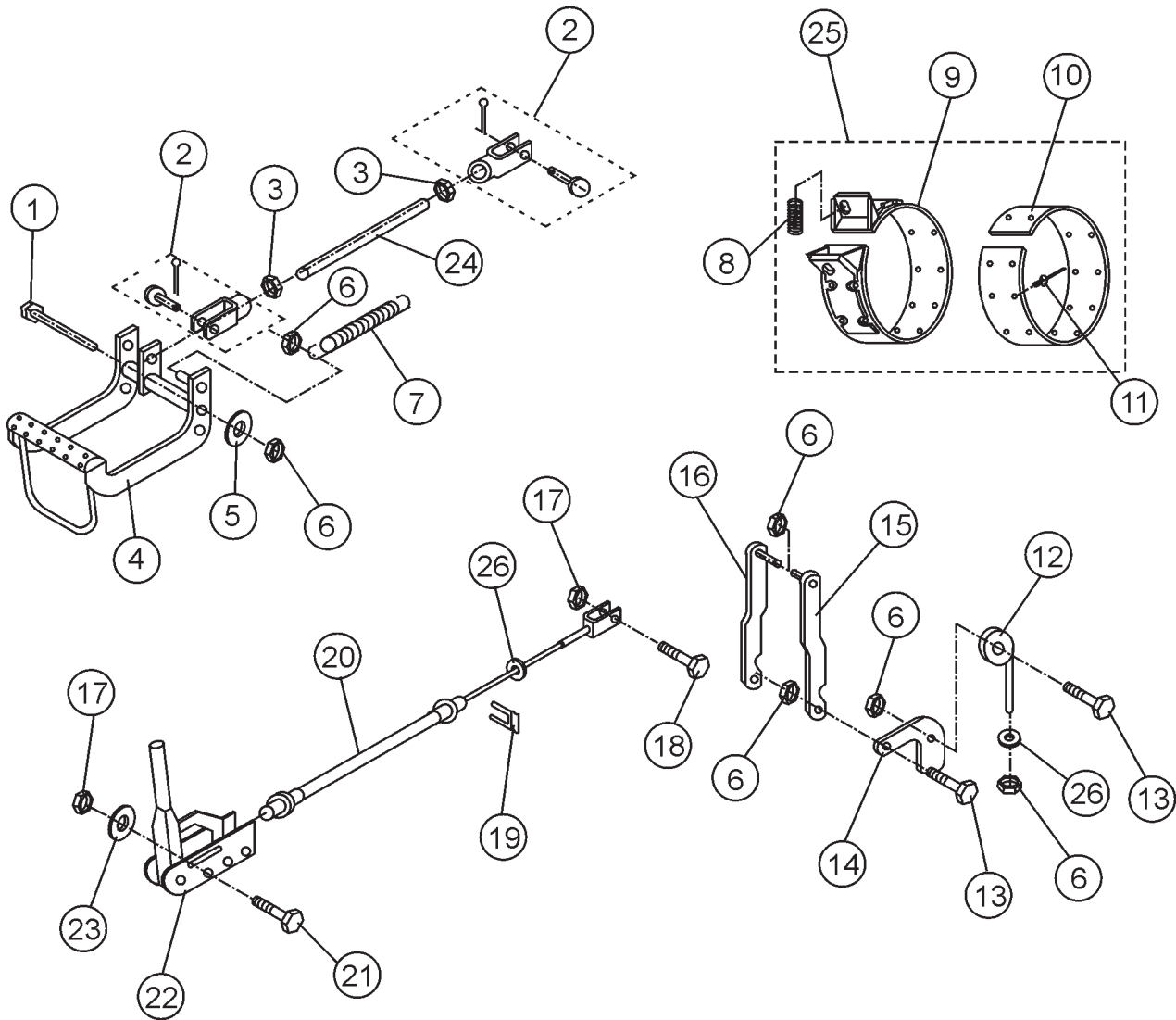
## WPB-16 POWER BUGGY — PANEL ASSY.

### PANEL ASSY.

<u>NO</u>	<u>PART NO</u>	<u>PART NAME</u>	<u>QTY.</u>	<u>REMARKS</u>
1	511476	SCREW, ALLEN 1/8 X 1/4	1	
2	511474	FASTENER, ACCESS DOOR	1	
3	18008	DOOR, ACCESS	1	
4	18024	SCREW, WING 1/4-20X3/4	2	
5	492597	WASHER, FLAT 9.5X22.2	20	
6	18141	COVER, R/SIDE ENGINE	1	
7	492364	SCREW, HHC 5/16-18X1	6	
8	492582	NUT, NYLOC 5/16-18	4	
9	18140	COVER, L/SIDE ENGINE	1	
10	492623	WASHER, LOCK 5/16	4	
11	505401	SCREW, HHC 5/16-18X 1/2	4	

# WPB-16 POWER BUGGY — BRAKE ASSY.

BRAKE ASSY.



# WPB-16 POWER BUGGY — BRAKE ASSY.

## BRAKE ASSY.

<u>NO</u>	<u>PART NO</u>	<u>PART NAME</u>	<u>QTY.</u>	<u>REMARKS</u>
1	511762	SCREW, HHC 1/2-13X8	1	
2	511698	CLEVIS, ASSY. BRAKE	2	
3	511761	NUT, HEX 3/8-24 NF	2	
4	18111	PEDAL, BRAKE	1	
5	492600	WASHER, FLAT 1/2	1	
6	492584	NUT, NYLOC 1/2-13	10	
7	18167	SPRING, BRAKE PEDAL	1	
8*	18307	SPRING, BRAKE	2	
9*	18300	BAND, BRAKE	2	
10*	18316	LINING, BRAKE	2	
11*	503723	RIVET, BRAKE LINING	56	
12	18303	SHAFT, CRANK PIN	2	
13	492395	SCREW, HHC 1/2-13X1-3/4	2	
14	18302	BELL CRANK, BRAKE	2	
15	18032	LINKAGE, RIGHT BRAKE	1	
16	18314	LINKAGE, LEFT BRAKE	1	
17	492582	NUT, NYLOC 5/16-18	2	
18	492303	SCREW, HHC 5/16-18X1-14	1	
19	505170	CLIP, PARK CABLE	1	
20	18016	CABLE, PARK BRAKE	1	
21	492367	SCREW, HHC 5/16-18X1-3/4	3	
22	18015	LEVER, ASSY. PARK BRAKE	1	
23	492597	WASHER, FLAT 9.5X22.2	3	
24	18145	ROD, BRAKE CONTROL	1	
25	512881	BRAKE BAND ASSEMBLY	2	INCLUDES ITEMS W/*
26	492600	WASHER, FLAT 1/2 IN.	2	



# WPB-16 POWER BUGGY — STEERING ASSY.

## STEERING ASSY.

<u>NO</u>	<u>PART NO</u>	<u>PART NAME</u>	<u>QTY.</u>	<u>REMARKS</u>
1	18132	LEVER, THROTTLE	1	
2	492581	NUT, NYLOC 1/4-20	1	
3	492582	NUT, NYLOC 5/16-18	1	
4	491030	WRAP, T1Z	1	
5	504505	WRAP, T1E	1	
6	18025	SWITCH, KILL	1	
7	18242	HANDLE BAR	1	
8	511432	GRIP, HANDLE	2	
9	18181	BUSHING, CABLE	1	
10	18177	SPRING	1	
11	511717	KEY, WOODRUFF 1/8X5/8	1	
12	18061	LEVER, CONTROL	1	
13	512414	SCREW, HHC 1/4-20 X 2-1/4	1	
14	492561	NUT, HEX 1/4-20	2	
15	492584	NUT, NYLOC 1/2-13	1	
16	492357	SCREW, HHC 1/4-20X1	1	
17	18183	CONNECTOR, THROTTLE CABLE END	2	
18	18176	SPRING	1	
19	18182	BUSHING, CABLE	1	
20	18133	CABLE, THROTTLE	1	
21	492465	SCREW, ALLEN HEAD 1/4-20 X3/8	1	
22	506088	SCREW, HHC 1/4-20X3/8	1	
23	492369	SCREW, HHC 5/16-18X2-1/4	1	
24	491723	PIN, STEERING SHAFT	1	
25	18238	BEARING, STEERING SHAFT	1	
26	512186	PIN, STEERING SHAFT	1	
27	18091	AXLE, STEERING	1	
28	EM941306	HUB, REAR WHEEL .....	2	INCLUDES ITEMS W/#
29	EM501299	WASHER, REAR WHEEL HUB	2	
30	512210	NUT, CASTLE	2	
31	491688	PIN, COTTER 1/8 X 1-1/2	2	
32	18049	WHEEL, STEERING ASSY. REAR	2	
33	8115	NUT LUG	8	
34	511159	WASHER, FLAT 1 IN.	2	
35#	EM903113	BEARING CONE	2	
36#	15191VB	SEAL	1	



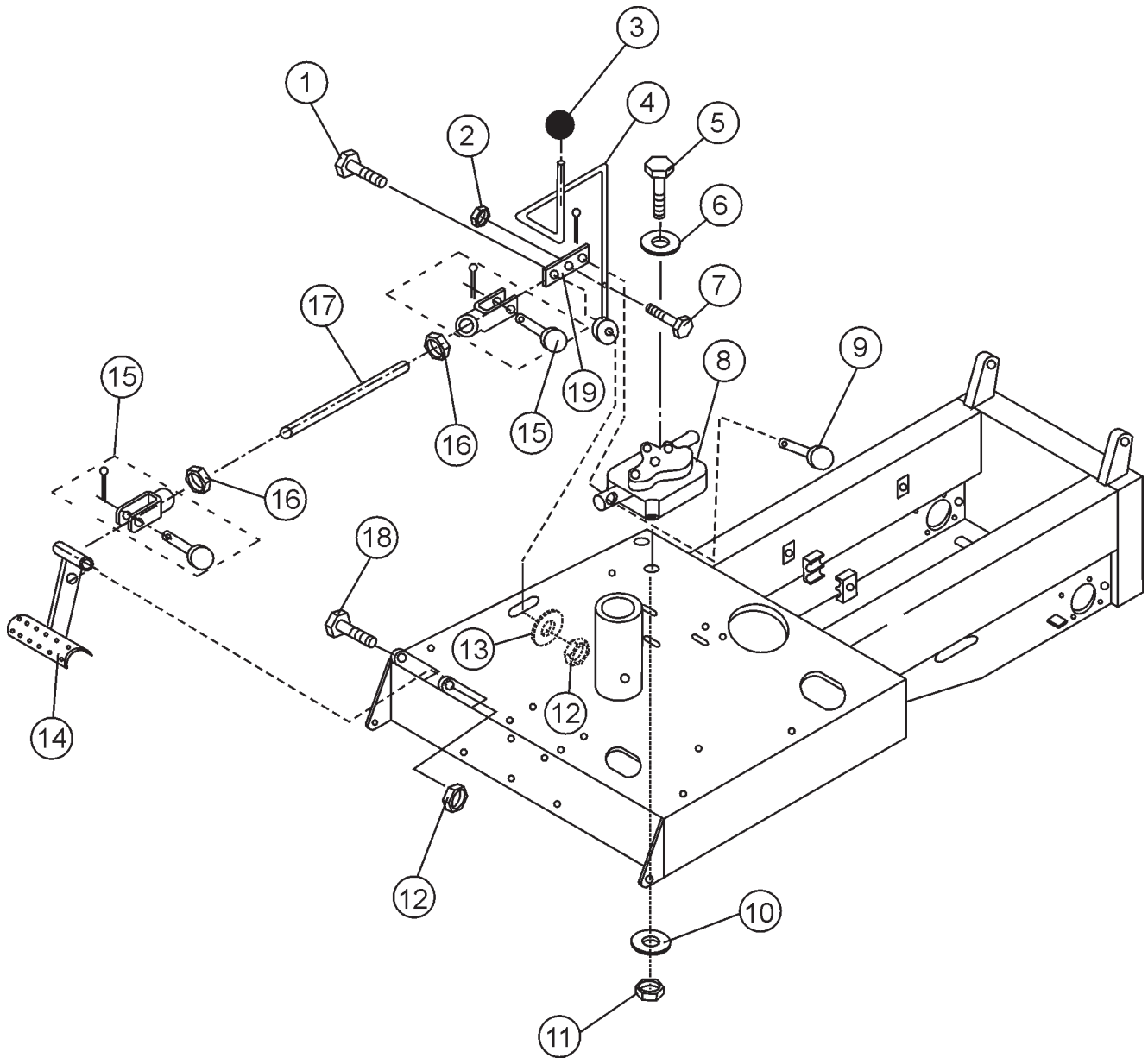
# WPB-16 POWER BUGGY — CHASSIS ASSY.

## CHASSIS ASSY.

<u>NO.</u>	<u>PART NO.</u>	<u>PART NAME</u>	<u>QTY.</u>	<u>REMARKS</u>
1	492583	NUT, NYLOC 3/8	10	
2	492598	WASHER, FLAT 3/8	18	
3	492313	SCREW, HHC 3/8- 16 X 1- 1/2	3	
4	503112	SCREW, HHC 3/8- 16 X 2- 3/4	4	
5	492375	SCREW, HHC 3/8- 16 X 12	2	
6	492357	SCREW, HHC 1/4- 20 X 12	2	
7	492622	WASHER, LOCK 1/4	2	
8	512196	BRACKET, HYD. PUMP MOUNTING	1	
9	18146	MOUNT, OIL FILTER	1	
10	505069	NUT, NYLOC 3/4- 10	1	
11	18198	ROD, TUB PROP	1	
12	505976	CLAMP, BRACKET	2	
13	506185	CLAMP, BRACKET	2	
14	492623	WASHER, LOCK 5/16	5	
15	492366	SCREW, HHC 5/16- 18 X 1- 1/2	2	
16	18047	CHASSIS	1	
17	503901	ZERK FITTING 1/4- 28	1	
18	492586	NUT, NYLOC 5/8-11	2	
19	492597	WASHER, FLAT 9.5 X 22.2	3	
20	18162	PANEL, REAR WHEEL COVER	1	
21	18222	PLATFORM, OPERATOR	1	
22	492313	SCREW, HHC 3/8- 16 X 1- 1/2	1	
23	492406	SCREW, HHC 5/8- 11 X 1- 1/2	2	
24	492363	SCREW, HHC 5/16- 18 X 3/4	3	
25	491757	RIVET, I.D. PLATE	2	
26	513524	PLATE, SERIAL NUMBER .....	1	..... CONTACT MULTIQUIP PARTS DEPT.
27	492553	NUT, HEX 5/16- 18	3	
28	18173	LATCH, PLATFORM	1	

# WPB-16 POWER BUGGY — DUMP PEDAL AND HANDLE ASSY.

DUMP PEDAL AND HANDLE ASSY.



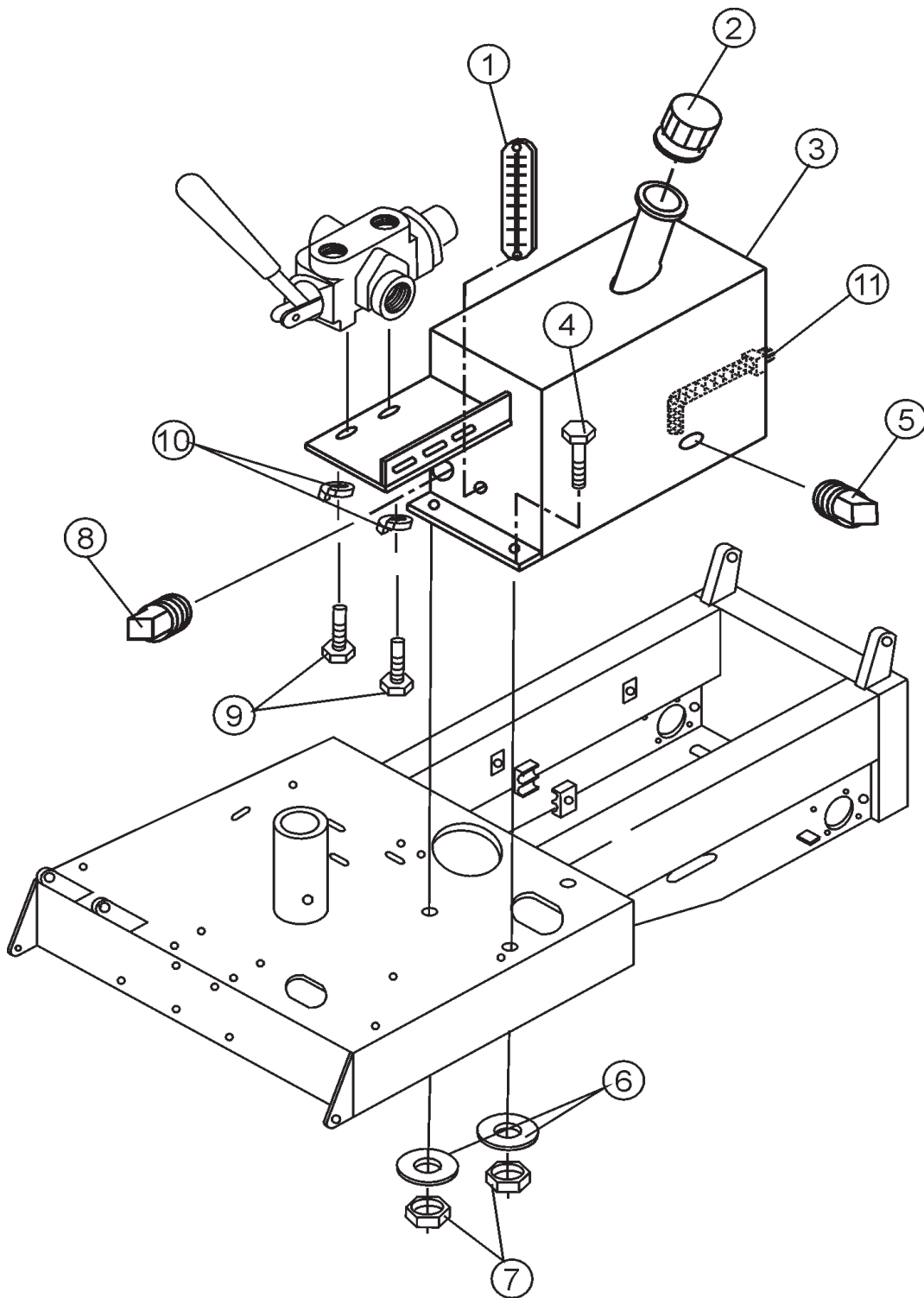
# WPB-16 POWER BUGGY — DUMP PEDAL AND HANDLE ASSY.

## DUMP PEDAL AND HANDLE ASSY.

<u>NO.</u>	<u>PART NO.</u>	<u>PART NAME</u>	<u>QTY.</u>	<u>REMARKS</u>
1	492401	SCREW, HHC 1/2- 13 X 4	1	
2	512184	NUT, NYLOC 3/16- 24	1	
3	18121	KNOB, LEVER	1	
4	18065	LEVER, DUMP VALVE	1	
5	512185	SCREW, HHC 1/4- 20 X1- 3/4	2	
6	492622	WASHER, LOCK 1/4	1	
7	512183	SCREW, HHC 3/16- 24 X1- 1/4	1	
8	18064	VALVE, DUMP .....	1	INCLUDES ITEMS W/*
9*		PIN, DUMP VALVE CROSS .....	1	CANNOT BE PURCHASED SEPERATELY
10	492596	WASHER, FLAT 1/4	1	
11	492581	NUT, NYLOC 1/4- 20	1	
12	492584	NUT, NYLOC 1/2- 13	2	
13	492600	WASHER, FLAT 1/2	1	
14	18152	PEDAL, DUMP VALVE	1	
15	18123	CLEVIS , ASSY. DUMP VALVE	2	
16	511761	NUT, HEX 3/8- 24 NF	2	
17	18153	ROD, DUMP VALVE	1	
18	492400	SCREW, HHC 1/2- 13 X 3- 1/2	1	
19	18122	BELL CRANK, DUMP VALVE	1	

# WPB-16 POWER BUGGY — HYDRAULIC OIL TANK ASSY.

HYDRAULIC OIL TANK ASSY.



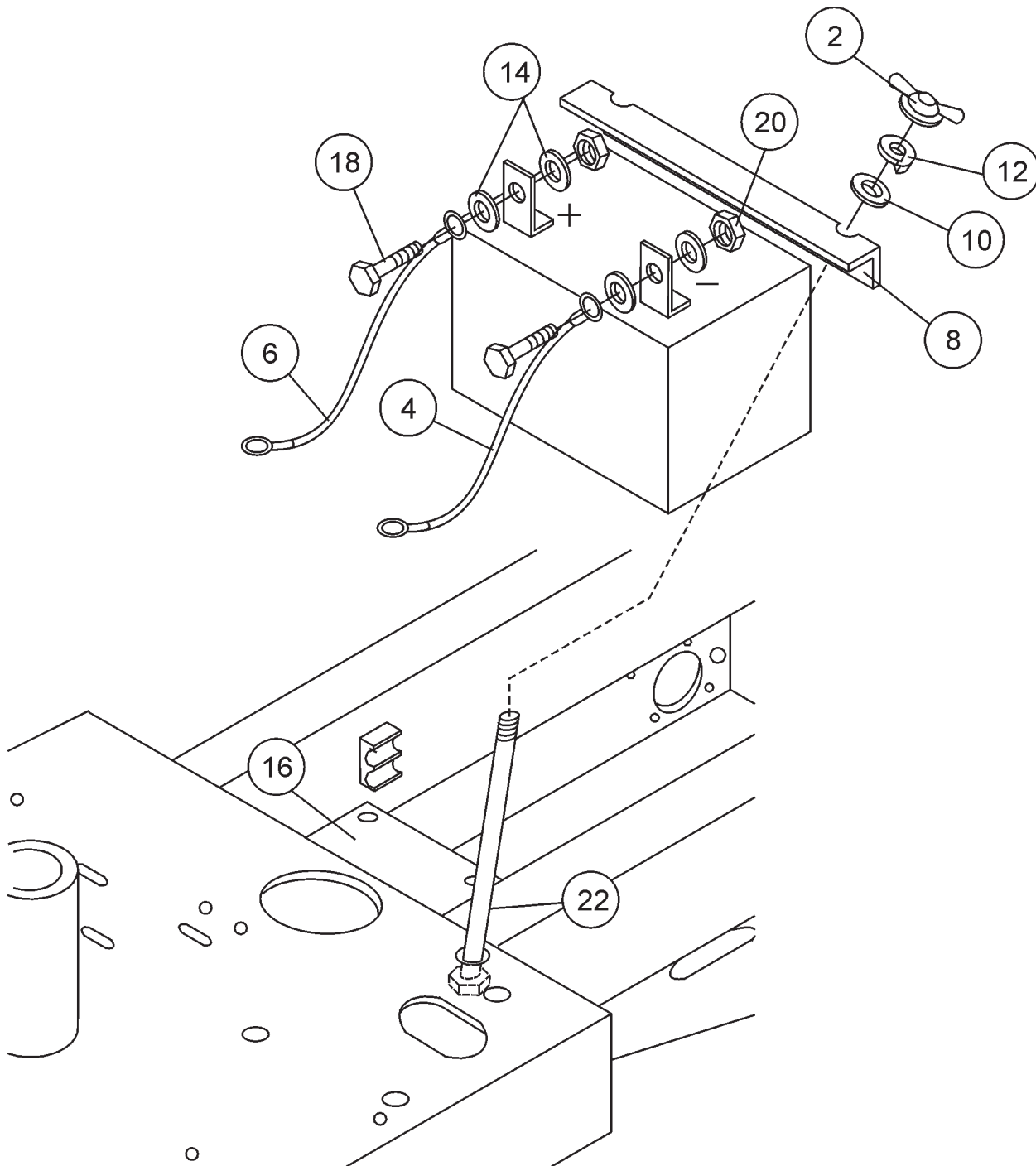
## WPB-16 POWER BUGGY — HYDRAULIC OIL TANK ASSY.

### HYDRAULIC OIL TANK ASSY.

<u>NO.</u>	<u>PART NO.</u>	<u>PART NAME</u>	<u>QTY.</u>	<u>REMARKS</u>
1	3336	SIGHT GAUGE, HYD. OIL TANK	1	
2	16477	CAP, HYD. OIL TANK	1	
3	18113	TANK HYD. OIL	1	
4	492375	SCREW, HHC 3/8- 16 X1	3	
5	491212	PLUG, HYD. OIL TANK 1/2"	1	
6	492598	WASHER, FLAT 3/8	3	
7	492583	NUT, NYLOC 3/8- 16	3	
8	49123	PLUG, HYD. OIL TANK 3/4	1	
9	492373	SCREW, HHC 3/8- 16 X 3/4	2	
10	492624	WASHER, LOCK 3/8	2	
11	18229	SCREEN, OIL RESERVOIR	2	

# WPB-16 POWER BUGGY — BATTERY ASSY. (ELECTRIC START)

BATTERY ASSY. (ELECTRIC START)



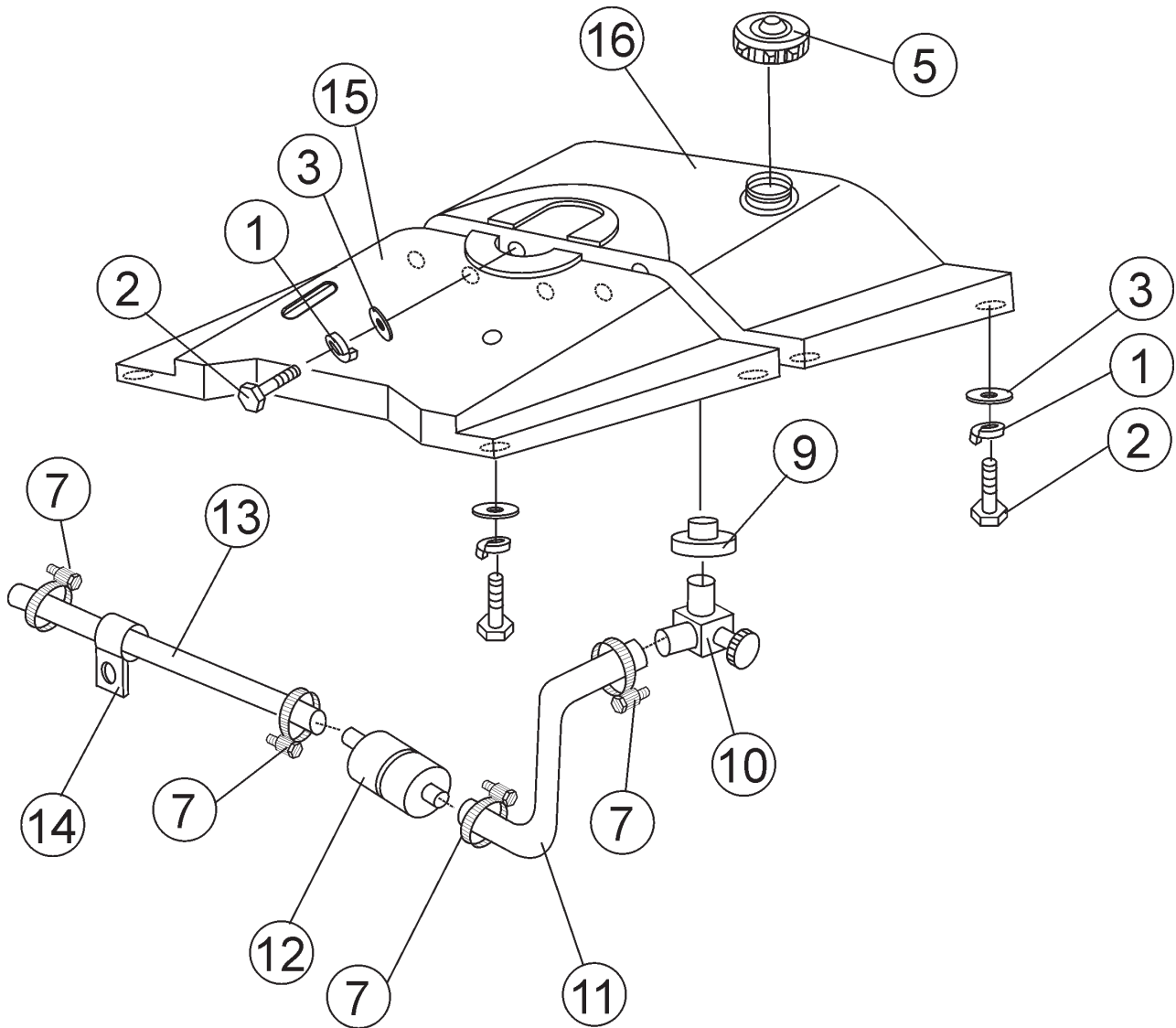
## WPB-16 POWER BUGGY — BATTERY ASSY. (ELECTRIC START)

### BATTERY ASSY. (ELECTRIC START)

<u>NO.</u>	<u>PART NO.</u>	<u>PART NAME</u>	<u>QTY.</u>	<u>REMARKS</u>
2	505500	WINGNUT	2	
4	512557	BATTERY CABLE, NEGATIVE	1	
6	511250	BATTERY CABLE, POSITIVE	1	
8	512555	BATTERY SUPPORT BRACKET	1	
10	492596	WASHER, FLAT 1/4"	2	
12	492622	WASHER, LOCK 1/4"	2	
14	492595	WASHER, FLAT 3/16"	4	
16	508480	BATTERY SUPPORT PLATFORM	1	
18	503118	BOLT 3/16" x 1"	2	
20	503119	NUT 3/16"	2	
22	512585	SUPPORT BRACKET BOLT	2	
24	4671	BATTERY	1	

# WPB-16 POWER BUGGY — FUEL TANK ASSY.

FUEL TANK ASSY.



## WPB-16 POWER BUGGY — FUEL TANK ASSY.

### FUEL TANK ASSY.

<u>NO.</u>	<u>PART NO.</u>	<u>PART NAME</u>	<u>QTY.</u>	<u>REMARKS</u>
1	492623	WASHER, LOCK 1/4 IN.	4	
2	505401	SCREW, HHC 1/4 x 3/4 IN.	4	
3	492597	WASHER, FLAT 1/4 IN.	4	
4	18280	COLLAR, STEERING SHAFT	1	
5	18166	CAP, FUEL	1	
7	506208	CLAMP, FUEL HOSE	4	
9	19633	SEAL, FUEL TANK GROMMET	1	
10	19661	VALVE, FUEL SHUT-OFF	1	
11	512192	HOSE, FUEL	1	
12	20763	FILTER, FUEL	2	
13	512191	HOSE, FUEL	1	
14	511807	STRAP NYLON 5/8	1	
15	18103	COVER, FUEL TANK	1	
16	18098	TANK, FUEL	1	