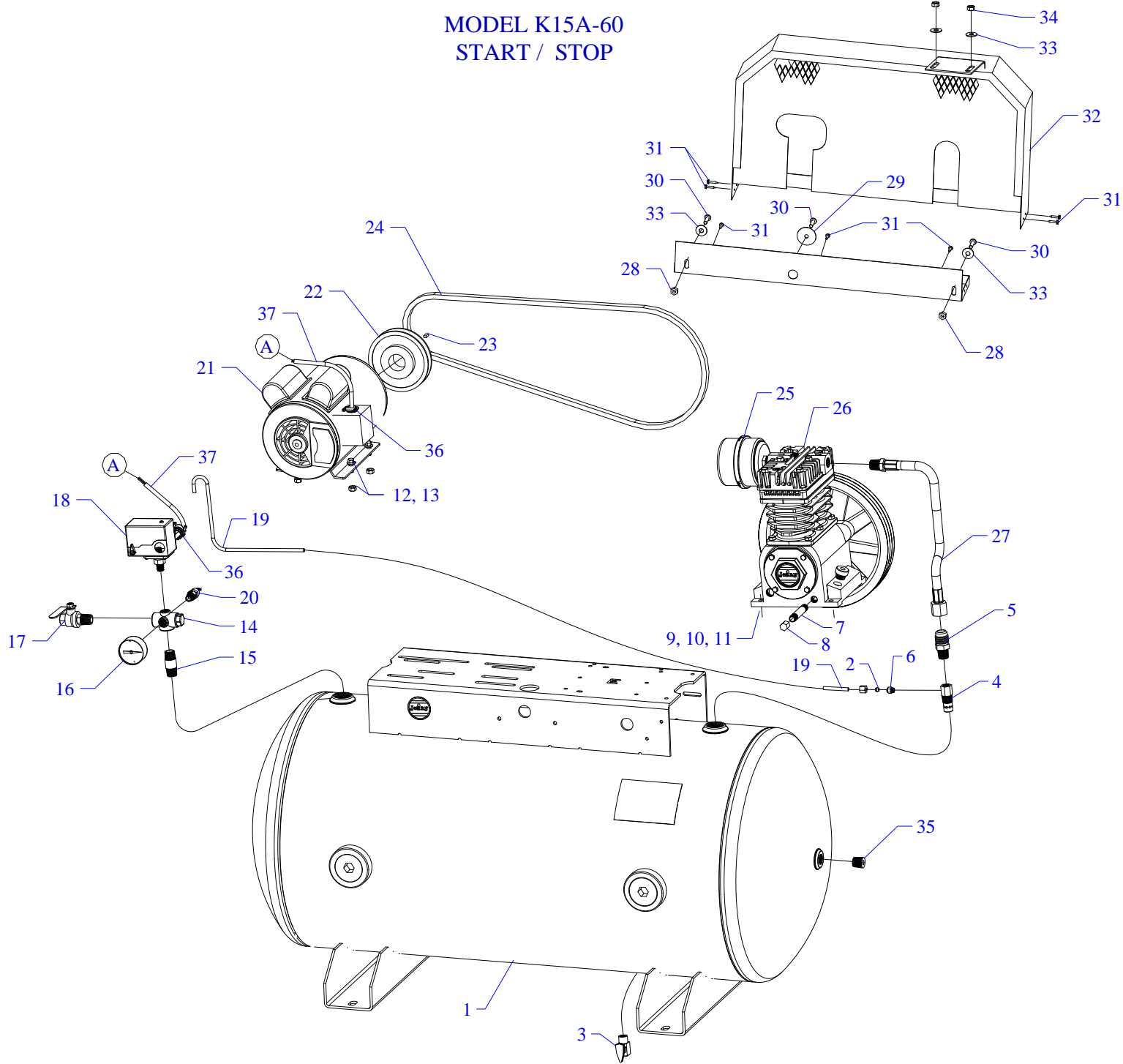


MODEL K15A-60  
START / STOP



## Parts List for Model K15A-60 Single & Three Phase

NOTE: The quantity number indicates the total number of pieces required for a complete unit repair.  
When ordering parts give compressor model, serial number and part number. Order assemblies when possible.

| <u>REF. NO.</u> | <u>PART NO.</u> | <u>DESCRIPTION</u>                                | <u>QTY.</u> |
|-----------------|-----------------|---|-------------|
| 1               | 411-1065        | TANK,HRZNTL,60G,UNB,F&K&GE,H60U-2                 | 1           |
| 2               | 121-1080        | SLEEVE,COMPRESSION,BRASS,1/4"                     | 1           |
| 3               | 141-1077        | VALVE,BALL,LEVER,1/4 TURN,1/4"M X 1/4"F           | 1           |
| 4               | 141-1036        | VALVE,CHECK,INSERT,3/4"M X1/2"F,W/1/8"PT          | 1           |
| 5               | 121-1008        | CONNECTOR,MALE,BRASS,5/8-45SAEX1/2"NPTM           | 1           |
| 6               | 121-1025        | CONNECTOR,MALE,COMPRESSION,BR,1/4TBX1/8"          | 1           |
| 7               | 122-1034        | NIPPLE,STEEL,SCH 40,1/4" X 5" L                   | 1           |
| 8               | 122-1126        | CAP,HEX,MI,PLATED,1/4"NPT                         | 1           |
| 9               | 120-1116        | NUT,LOCK,FLANGE,HEX,SERR,ST,PLTD,1/4-20           | 4           |
| 10              | 120-1220        | SCREW,CAP,HEXHD,GR5,ST,PLD,1/4-20X1-3/4           | 4           |
| 11              | 120-1070        | WASHER,FLAT,STEEL,PLATED,SAE,1/4"                 | 4           |
| 12              | 120-1018        | SCREW,FLANGE,HEX,SERR,ST,PLD,5/16-18X3/4          | 4           |
| 13              | 120-1119        | NUT,LOCK,FLANGE,HEX,SERR,ST,PLTD,5/16-18          | 4           |
| 14              | 220-1059        | BLOCK,MANIFOLD,AL,5 PORT,SPRINKLER,MC-5S          | 1           |
| 15              | 122-1088        | NIPPLE,STEEL,SCH 80,PLATED,1/2" X 2"              | 1           |
| 16              | 142-1000        | GAUGE,PSI,200#,BK MT,JENNY,2",1/4NPT,PG2          | 1           |
| 17              | 141-1078        | VALVE,BALL,OUTLET,1/4 TURN,1/2"M X 1/2"F          | 1           |
| 18              | 140-1074-01     | SWITCH,PSI,2HP,100-125#,UNLDR&LVR,PBVL            | 1           |
| 19              | 610-1090        | TUBE,CONTROL,COPPER,W/SLEEVE,1/4"X39"LG           | 1           |
| 20              | 141-1014        | VALVE,SAFETY,ASME,1/4",165 PSI,SVU165             | 1           |
| 21              | 130-1014        | MOTOR,1.5HP,115-230/60/1,1725RPM,ODP              | 1           |
| 21*             | 130-1016        | MOTOR,1.5HP,200-208/60/3,1725RPM,ODP              | 1           |
|                 | 154-1237        | PULLEY,CI,SG,5.0PDA 7/8ID,AK54X7/8 "3 Phase Only" | 1           |
| 21**            | 130-1017        | MOTOR,1.5HP,230-460/50-60/3,1725RPM,ODP           | 1           |
|                 | 154-1237        | PULLEY,CI,SG,5.0PDA 7/8ID,AK54X7/8 "3 Phase Only" | 1           |

## Parts List for Model K15A-60 Single & Three Phase

NOTE: The quantity number indicates the total number of pieces required for a complete unit repair.  
When ordering parts give compressor model, serial number and part number. Order assemblies when possible.

| <u>REF. NO.</u> | <u>PART NO.</u> | <u>DESCRIPTION</u>                        | <u>QTY.</u> |
|-----------------|-----------------|---|-------------|
| 22              | 154-1204        | PULLEY,CI,SG,5.0PDA,5/8ID,AK54X5/8        | 1           |
| 23              | 120-1108        | KEY,STEEL,BLACK,3/16X3/16X 1-1/2" LENGTH  | 1           |
| 24              | 154-4L470       | BELT,VEE,A43,4L-470                       | 1           |
| 25              | 320-1121        | FILTER,W/DECALS,ASSY,G154S                | 1           |
| 26              | 421-1101        | PUMP,CMPRSR,PISTON,REPLCMT,BLUE,K         | 1           |
| 27              | 360-1390        | AFTERCOOLER,HOSE,SS,TEFLON,5/8"ODX16-1/2  | 1           |
| 28              | 120-1116        | NUT,LOCK,FLANGE,HEX,SERR,ST,PLTD,1/4-20   | 2           |
| 29              | 120-1072        | WASHER,FENDER,ST,PLATED,1/4"X1-1/2"OD     | 1           |
| 30              | 120-1267        | SCREW,PAN HD,PHIL,STEEL,PLTD,1/4-20 X 1"  | 3           |
| 31              | 120-1177        | SCREW,SELF DRILL,HEX,ST,PL,12 X 3/4       | 7           |
| 32              | 320-1177        | BELTGUARD,F&K,W/PAN,3.4WX13.0HX23LG       | 1           |
| 33              | 120-1075        | WASHER,FLAT,STEEL,PLATED,5/16"            | 4           |
| 34              | 120-1119        | NUT,LOCK,FLANGE,HEX,SERR,ST,PLTD,5/16-18  | 2           |
| 35              | 122-1047        | PLUG,SOCKET,HEX,ST,PLTD,1/2" NPT          | 1           |
| 36              | 123-1029        | CONNECTOR,ROMEX,CLAMP,STRAIGHT,3/8"       | 2           |
| 37              | 123-1003        | WIRE,ASSY,BX,14/2,WITH GROUND             | 2FT         |
| NOT SHOWN       | 610-1225        | KIT,ELEMENT,FILTER,G54E,PKG OF 4,G54EP    | 1           |
| NOT SHOWN       | 105-1209        | OIL,PUMP,SYNTHETIC,BLUE,1 QUART,ESQ       | 1           |
| NOT SHOWN       | 330-1023        | MAG STRT,25A 3P 460V,SVC RPLM,MGSA-3-460  | 1           |
|                 | 140-1028-E34    | OVERLOAD,HEATER,STARTER,MAGNETIC,E34      | 3           |
| NOT SHOWN       | 330-1022        | MAG STR,25A,3P,200/208/230V,MGSA-3-230    | 1           |
|                 | 140-1028-E47    | OVERLOAD,HEATER,STARTER,MAGNETIC,E47      | 3           |
| NOT SHOWN       | 330-1021-01     | MAG STR 25A 1P115/208/230 REP MGSA-1-230  | 1           |
| OPTIONAL        | 140-1028-E56    | OVERLOAD,HEATER,STARTER,MAGNETIC,E56 120V | 1           |
|                 | 140-1028-E47    | OVERLOAD,HEATER,STARTER,MAGNETIC,E47 230V | 1           |

# MAGNETIC STARTER WIRING DIAGRAM

1 Phase; 208 & 230 Volt



# MAGNETIC STARTER WIRING DIAGRAM

3 Phase; 208, 230, & 460 VOLT





MODEL K & KU  
 Two Cylinder Single Stage  
 2-1/2" Bore X 2" Stroke

## Parts List for Model K & KU Pump Assembly

NOTE: The quantity number indicates the total number of pieces required for a complete unit repair.  
When ordering parts give compressor model, serial number and part number. Order assemblies when possible.

| <u>REF. NO.</u> | <u>PART NO.</u> | <u>DESCRIPTION</u>                                | <u>QTY.</u> |
|-----------------|-----------------|---|-------------|
| 1               | 120-1163        | PIN,ROLLED,COILED,STL,BLK,1/4ODX1L,K25            | 1           |
| 2               | 220-1093        | FLYWHEEL,K PUMP,CI,10-3/8,1 GROOVE,K23A           | 1           |
| 2A              | 220-1090        | FLYWHEEL,GT PUMP,CI,13-1/4,2 GROOVE,G23 (KC Pump) | 1           |
| 3               | 150-1036        | SEAL,OIL,LIP,SINGLE,0.875 DIA,K11E                | 1           |
| 4               | 220-1009        | CRANKCASE,K PUMP,CI,W/SIGHT GLASS,K1              | 1           |
| 5               | 160-1076        | GAUGE,SIGHT,LEVEL,OIL,3/8"NPT,LO-M49              | 1           |
| 6               | 122-1083        | CAP,HEX,MI,1/4"NPT                                | 1           |
| 7               | 122-1032        | NIPPLE,STEEL,SCH 40,1/4" X 3" L                   | 1           |
| 8               | 220-1010        | CRANKSHAFT,K PUMP,CI,MACHINED,K20A                | 1           |
| 9               | 150-1000        | BEARING,BALL,K9                                   | 2           |
| 10              | 220-1001        | CAP,BEARING,K PUMP,CI,MACHINED,K2                 | 1           |
| 11              | 120-1004        | SCREW,CAP,HEXHD,GR5,ST,BLK,1/4-20X3/4 (10FT-LB)   | 4           |
| 12              | 104-1000-01     | GASKET,CAP,BEARING,F&K&G PUMP,1/32THK,L3          | 1           |
| 13              | 104-1000-02     | GASKET,CAP,BEARING,F&K&G PUMP,1/64THK,L4          | 1           |
| 14              | 150-1011        | BEARING,ROD,CONNECTING,PUMP,F,K,G                 | 4           |
| 15              | 310-1001-02     | ROD,CONNECTING,WO/BRNG INSERT,L21L&L21K           | 2           |
| 16              | 610-1029        | PLUG,CRANKCASE,FILL,OIL,W/O-RING,K14              | 1           |
| 17              | 104-1016        | RING,O,BUNA-N,5/8"IDX13/16"ODX3/32"THK            | 1           |
| 18              | 120-1068        | WASHER,LOCK,SPLIT,ST,BLK,HIGH CLLR,1/4"           | 4           |
| 19              | 120-1010        | SCREW,CAP,HEXHD,GR5,ST,BLK,1/4-20X1-1/4 10 FT-LB  | 4           |
| 20              | 104-1103        | BUMPER,WRIST PIN,PLASTIC,K36A                     | 4           |
| 21              | 150-1005        | PIN,PISTON,STEEL,HARDENED,K35                     | 2           |
| 22              | 220-1005        | PISTON,PUMP,ALUMINUM,MACHINED,K32                 | 2           |

## Parts List for Model K & KU Pump Assembly

NOTE: The quantity number indicates the total number of pieces required for a complete unit repair.  
When ordering parts give compressor model, serial number and part number. Order assemblies when possible.

| <u>REF. NO.</u> | <u>PART NO.</u> | <u>DESCRIPTION</u>                                  | <u>QTY.</u> |
|-----------------|-----------------|---|-------------|
| 23              | 610-1065        | KIT,RING,OIL,W/EXPANDER,ASSY,K34                    | 2           |
| 24              | 150-1003        | RING,COMPRESSION,PISTON,STEEL,EBA 22,K33            | 4           |
| 25              | 220-1016        | HEAD,UNLOADING,G PUMP,CI,6HOLES,LU80                | 1           |
| 26              | 150-1020        | SPRING,VALVE,UNLOADER,INTAKE, KU83                  | 2           |
| 27              | 104-1020        | RING,O,SILICON,7/16"IDX5/8"ODX3/32"THK              | 2           |
| 28              | 150-1028        | PISTON,UNLOADER,VALVE,BRASS,KU81                    | 2           |
| 29              | 104-1015        | RING,O,BUNA-N,1/2"IDX11/16"ODX3/32"THK              | 2           |
| 30              | 122-1051        | PLUG,HEX ,BRASS,11/16-16 UN-2B X .550               | 2           |
| 31              | 150-1042        | WASHER,BRASS,1/32X 0.605ODX1/4 ID,KU84              | 2           |
| 32              | 120-1028        | SCREW,CAP,HEXHD,GR5,ST,BLK,5/16-18X2-1/4 (22 FT-LB) | 4           |
| 33              | 120-1252        | BOLT,STUD,HEX,ST,5/16-18X2-1/4X5/8,K52-1 (22 FT-LB) | 2           |
| 34              | 310-1004        | HEAD,START/STOP,G PUMP,REPLACEMNT,L50               | 1           |
| 35              | 150-1104        | ELEMENT,FILTER,AIR,COMPRESSOR,JENNY,G54E            | 1           |
| 36              | 104-1008        | GASKET,HEAD,K&G&W PUMP,1/32THK,L51                  | 1           |
| 37              | 150-1041        | RETAINER,VALVE,STEEL,PAS,0.062"THK,K43              | 4           |
| 38              | 109-1010        | VALVE,BUMPER,STEEL,K44                              | 4           |
| 39              | 150-1018        | SPRING,CONE,SS,VALVE,DISCHARGE,K46                  | 2           |
| 40              | 109-1011        | VALVE,DISC,STAINLESS STEEL,K47                      | 4           |
| 41              | 220-1013        | PLATE,VALVE,L PUMP,CI,MACHINED,L40                  | 1           |
| 42              | 150-1017        | SPRING,CONE,SS,VALVE,INTAKE,K45                     | 2           |
| 43              | 104-1007        | GASKET,PLATE,VALVE,K&G&W PUMP,1/32TK,L41            | 1           |
| 44              | 360-1150        | CYLINDER,K PUMP,CI,PAINTED,BLUE,K30                 | 1           |
| 45              | 120-1017        | SCREW,CAP,HEXHD,GR5,ST,BLK,5/16-18X3/4 (15FT-LB)    | 6           |

## Parts List for Model K & KU Pump Assembly

NOTE: The quantity number indicates the total number of pieces required for a complete unit repair.  
When ordering parts give compressor model, serial number and part number. Order assemblies when possible.

| <u>REF. NO.</u>   | <u>PART NO.</u> | <u>DESCRIPTION</u>  | <u>QTY.</u> |
|-------------------|-----------------|---|-------------|
| 46                | 104-1006        | GASKET,CYLINDER,K&G&W PUMP,1/32THK,K31  | 1           |
| 47                | 132776          | SCREW,MACH,RND HD,SLTD,ST,PL,#8-32X1"   | 1           |
| 48                | 104-1264        | RETAINER,BREATHER,CRANKCASE,PLASTIC,BLUE                                      | 1           |
| 49                | 104-1265        | FILTER,AIR,BREATHER,CRANKCASE,INSERT  | 1           |
| 50                | 104-1266        | SEAL,BREATHER,CRANKCASE,FILTERED,RUBBER                                       | 1           |
| 51                | 120-1167        | RETAINER,INTERNAL,ST,0.035X 0.665,KU85  | 2           |
| <b>Assemblies</b> |                 |   |             |
| 52                | 610-1410        | BREATHER,CRANKCASE,W/HOUSING&FILTER&SEAL<br>Includes 47, 48, 49, 50           | 1           |
| 53                | 610-1411        | ROD,CONNECTING,W/BEARNG INSERT,L21L&L21K<br>INCLUDES 14(2), 15, 18(2), 19(2)  | 2           |
| 54                | 610-1028        | PISTON,W/RINGS&PIN,ASSY,K132<br>INCLUDES 20 (2), 21, 22, 23, 24 (2)           | 2           |
| 55                | 610-1020        | KIT,PUMP,RING,PISTON,F&K&G&W PUMP,K133<br>INCLUDES 23 (2), 24 (4)             | 1           |
| 56                | 610-1031        | VALVE,SUCTION,ASSY,K145<br>INCLUDES 37, 38, 40, 42                            | 2           |
| 57                | 610-1045        | PLATE,VALVE,W/VALVES,ASSY,L140<br>INCLUDES 36, 41, 43, 56(2), 60(2)           | 1           |
| 58                | 610-1042        | VALVE,UNLOADER,HEAD,PUMP,ASSY,KU181<br>INCLUDES 26, 27, 28, 31, 51            | 2           |
| 59                | 320-1121        | FILTER,W/DECALS,ASSY,G154S  | 1           |
| 60                | 610-1032        | VALVE,DISCHARGE,ASSY,K146<br>INCLUDES 37, 38, 39, 40                          | 2           |
| 61                | 610-1026        | KIT,GASKET,K PUMP,ASSY,K100A<br>INCLUDES 12,13,36,43,46                       | 1           |
| NOT SHOWN         | 610-1123        | KIT,BASIC,REPAIR,KU PUMP,K101 W/G54E<br>INCLUDES 35, 52, 55, 56(2), 60(2), 61 | 1           |
| NOT SHOWN         | 610-1304        | KIT,BASIC,REPAIR,KU PUMP,W/G54E,KU101G  | 1           |

## Parts List for Model K & KU Pump Assembly

NOTE: The quantity number indicates the total number of pieces required for a complete unit repair.  
When ordering parts give compressor model, serial number and part number. Order assemblies when possible.

| <u>REF. NO.</u> | <u>PART NO.</u> | <u>DESCRIPTION</u>                                     | <u>QTY.</u> |
|-----------------|-----------------|--|-------------|
|                 |                 | INCLUDES 35, 52, 55(2), 56(2), 58(2), 60(2), 61 W/G54E |             |
| NOT SHOWN       | 105-1209        | OIL,PUMP,SYNTHETIC,BLUE,1 QUART,ESQ                    | 1           |
| NOT SHOWN       | 610-1226        | KIT,FILTER,ASSY,G154,PKG OF 4,G154P                    | 1           |
| NOT SHOWN       | 610-1186        | KIT,ELEMENT,FILTER,L54E,PKG OF 4,L54EP                 | 1           |
| NOT SHOWN       | 150-1010        | ELEMENT,FILTER,AIR,COMPRESSOR,JENNY,L54E               | 1           |