



HV1858C BI-DIRECTIONAL HYDRAPAK INSTRUCTIONS

**REIMANN & GEORGER CORPORATION
CONSTRUCTION PRODUCTS
P/N 6122018**

**BUFFALO, NY
7/26/12**

6 PARTS LIST

The following parts list applies to the HV1858C Bi-Directional HydraPaks only. Each item number on this parts list can be matched with the item number shown on the Figure 6-1 assembly drawing.

Item Number	Part Number	Quantity	Description
1	2546004	1	MAIN FRAME
2	0557447	1	ENGINE 18 HP HV1858 (CUT SHAFT)
	5507742	1	MUFFLER (HV1858 ONLY)
3	2510872	1	RESERVOIR ASSEMBLY (INCLUDES ITEM #S 4 & 5)
4	6000921	1	FILLER BREATHER CAP
5	6000908	1	SUCTION STRAINER ASSEMBLY
6	2546006	1	FRAME FORMED HANDLE
7	5800138	4	CLEVIS PIN ROUNDED SNAP
8	5411512	1	WIRE HARNESS VANGUARD (HV1658 + HV1858)
9	2514302	1	HEAT EXCHANGER ASSEMBLY
10	6000855	1	HEAT EXCHANGER CORE
11	5401513	1	FAN 10"
12	5800387	2	COTTER HAIR PIN
13	6950558	1	HYDRAULIC PUMP 5/8 GPM (P)
14	5400861	1	BATTERY
	5401564	1	BATTERY STRAP
15	6900454	1	PUMP BRKT BF-2A-C-1-4.0
	6901502	1	PUMP BRACKET COVER
16	5493623	1	POSITIVE BATTERY WIRE
17	5401562	1	TOGGLE SWITCH (HV1858 ONLY)
18	6001883	1	COUPLING 1/2" MALE
19	2514381	1	CONTROL PANEL
20	7600871	2	TIRE AND RIM ASSEMBLY
21	6004723	1	HYDRAULIC FILTER ELEMENT
22	6000904	1	HYDRAULIC FILTER ASSEMBLY
23	6004722	1	HYDRAULIC FILTER HEAD
24	2504743	1	AXLE
25	5401511	1	FAN RELAY
26	6205679	1	DECAL RGC LOGO
27	6001884	1	COUPLING 1/2" FEMALE
28	6004795	1	FLOW CONTROL VALVE
29	5600912	1	HEX BUSHING 3/4 NPTM X 1/2 NPTM
30	6000865	1	1/2" BALL VALVE
31	5604752	1	3/4" CLOSED NIPPLE
32	5600909	3	90D ADAPTER 3/4 HOSE BEAD X 3/4 NPT
33	5604752	1	1/2" CLOSED NIPPLE
34	5600958	2	1/2" HEX NIPPLE
35	6011553	1	PRESSURE SWITCH (HV1858) AUTO IDLE
36	0556017	1	AUTO IDLE SENSOR FTG HV 1858
37	6700873	1	COUPLING HALF 1/2" - PUMP
38	6700907	1	COUPLING INSERT
39	6700906	1	COUPLING HALF 1" - ENGINE

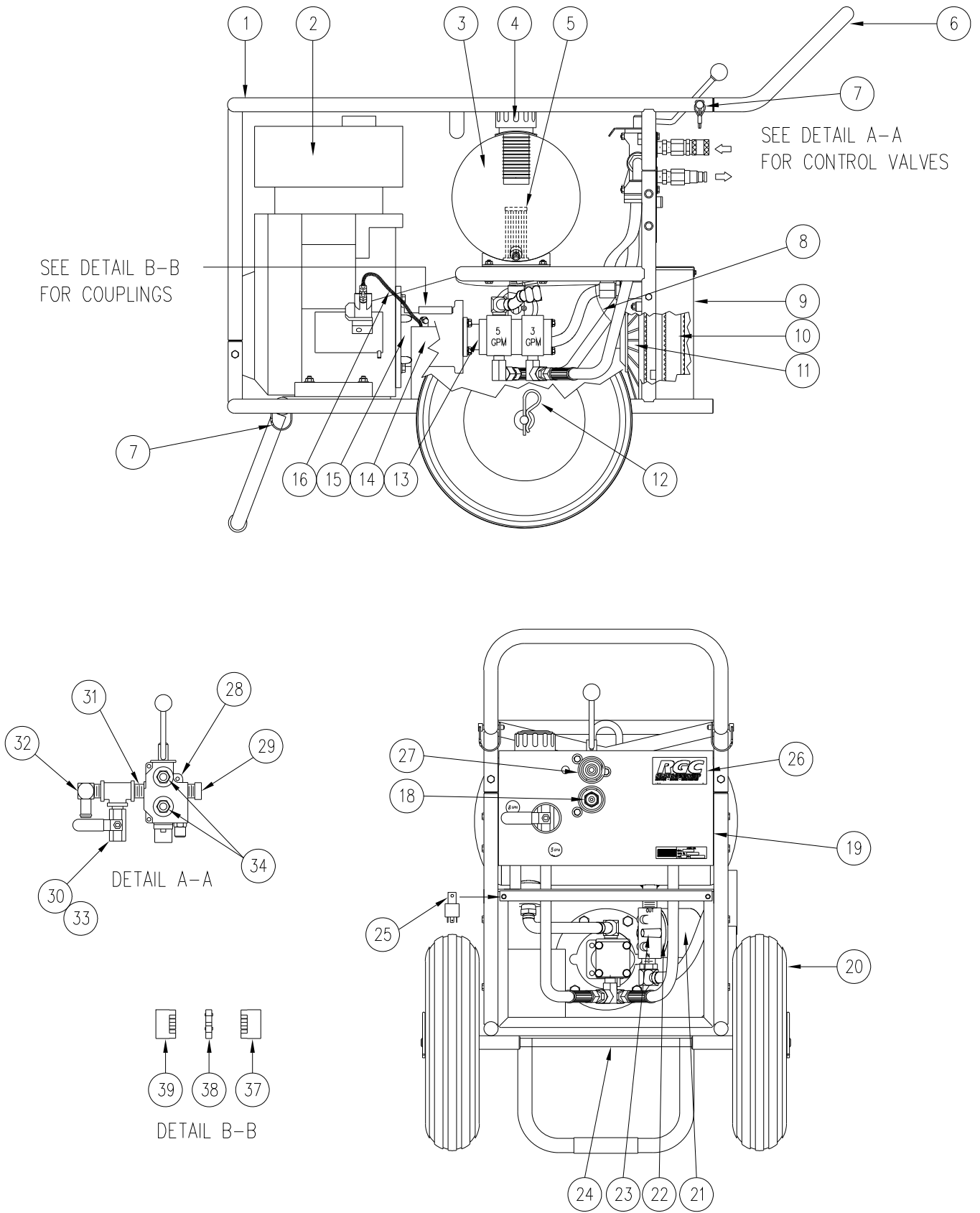


Figure 6-1.
HV1858C Bi-Directional Assembly Drawing