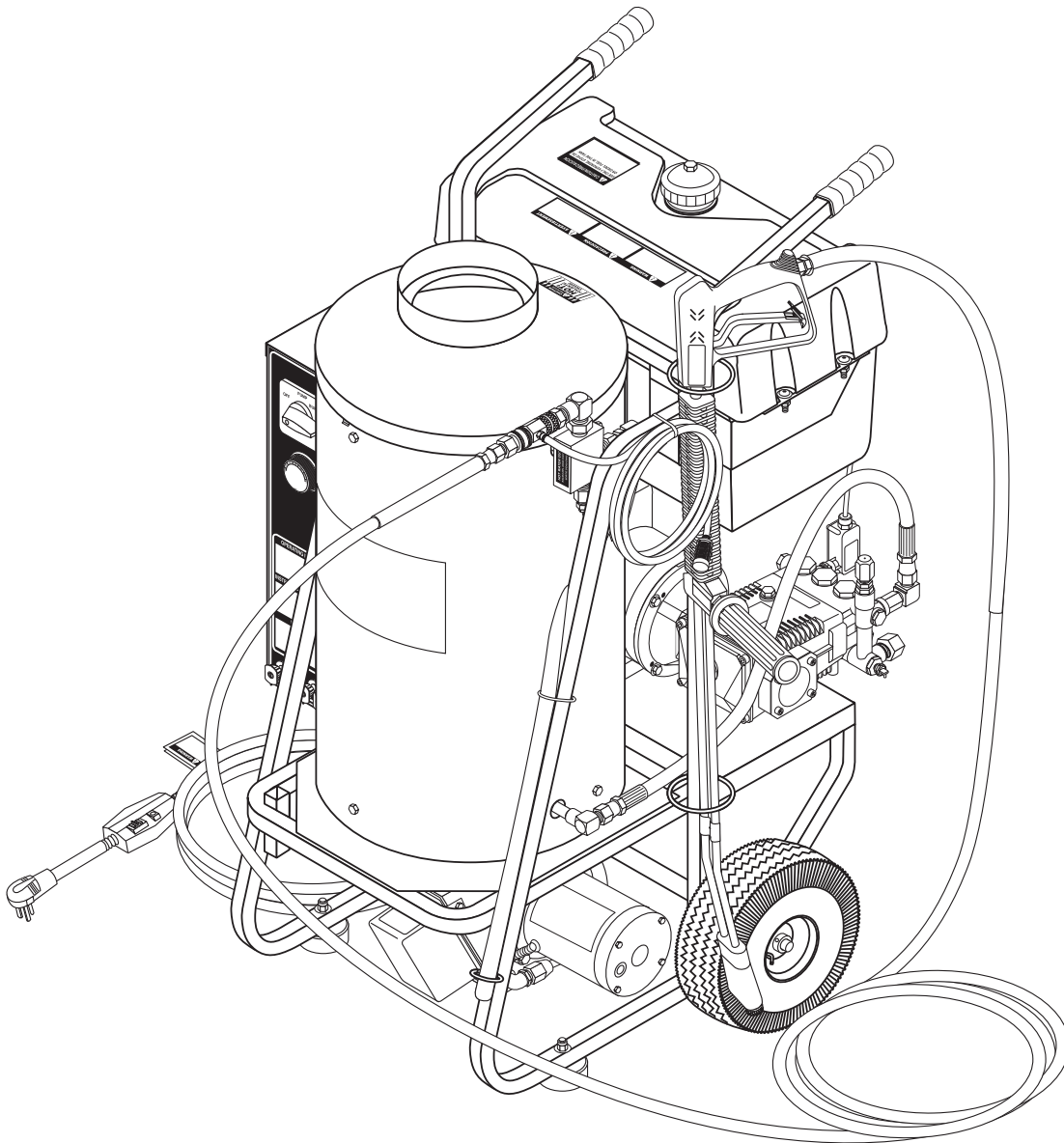




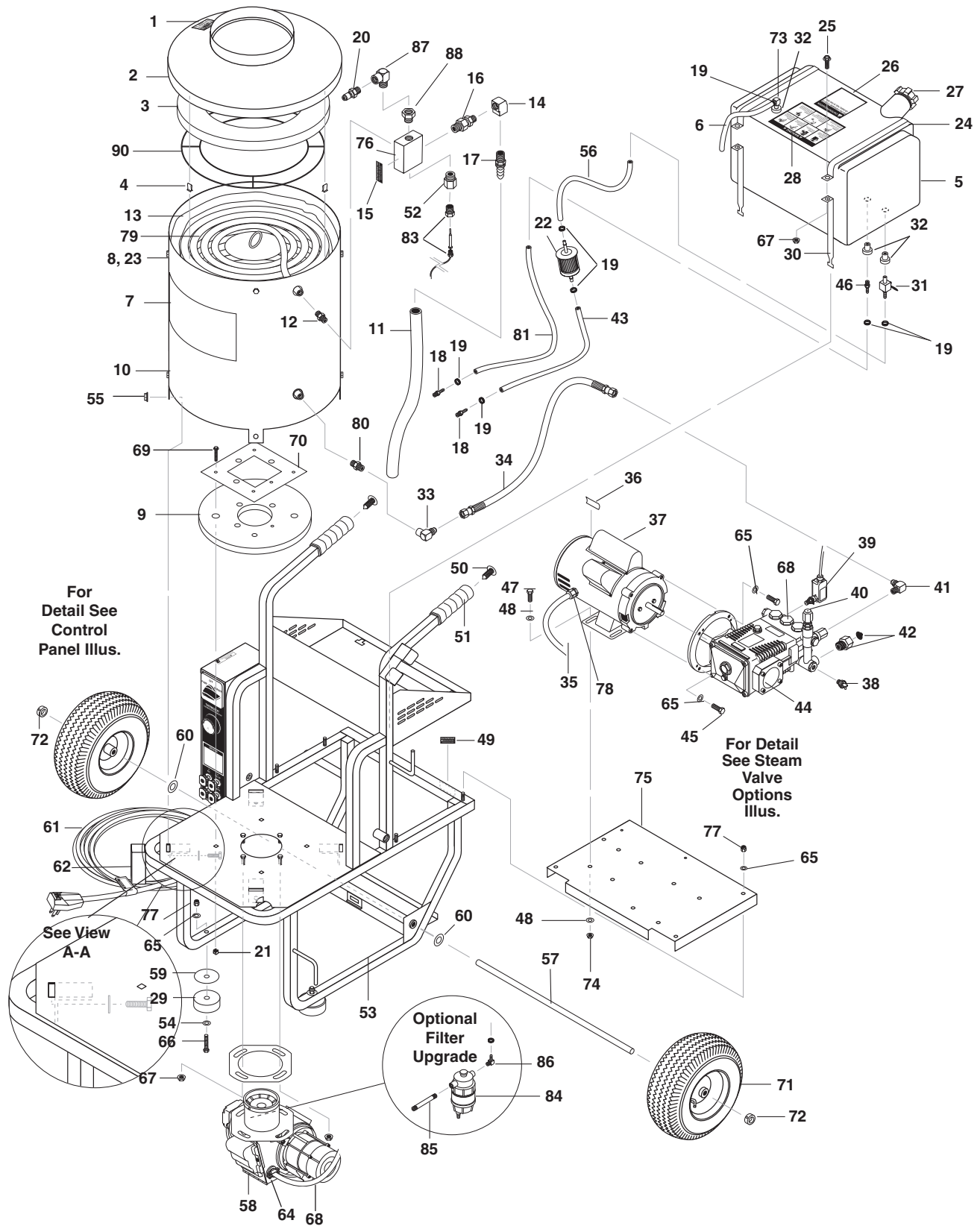
MODEL: HPB

OPERATING INSTRUCTION AND PARTS MANUAL

■ HPB-2011 ■ HPB-3520 ■ HPB-3530 ■ HPB-4020



EXPLODED VIEW - 2011



EXPLODED VIEW - 2011 PARTS LIST

ITEM	PART NO.	DESCRIPTION	QTY	ITEM	PART NO.	DESCRIPTION	QTY
1	10-02025A	Label, Hot/Caliente w/Arrows Warning	1	37	Please See Specification Pages		
2	95-07290029	Tank Head Assy	1	38	2-300812	Pump Protector, 1/4" PTP	1
3	7-014862	Insulation, Top Head	1	39	6-021720	Switch, Pressure N/O, 1/4" NPT SS	1
4	90-50045	Clip, Retaining U-Type	4	40	Please See Specification Pages		
5	2-0115090	Tank, Fuel 6 Gal Blank	1	41	2-0053	Elbow, 1/2" JIC x 3/8"	1
6	4-02100000	Hose, 1/4", Push-On	12"	42	2-10942	Swivel, 1/2" MP x 3/4" GHF, w/Strainer	1
7	11-013	Label, Logo, Large	1	43	4-02100000	Hose, 1/4" Push-On	6"
8	90-19710	Screw, 1/4" x 3/4" HH NC, Whiz Loc	4	44	Please See Specification Pages		
9	7-01482	Insulation, Bottom	1	45	90-1016	Bolt, 3/8" x 1", NC HH	4
10	95-07102253	Coil Wrap	1	46	2-10866	Hose Barb, 1/4" x 3/8" Double	1
11	4-02110000	Hose, 1/2" Push-On	30"	47	90-1006	Bolt, 5/16" x 3/4" NC GR 5 CS ZN	8
12	2-0008	Nipple, 1/2" Hex Steel	1	48	90-4001	Washer, 5/16", Flat, SAE	12
13	7-01487	Insulation, Blanket	1	49	10-09003	Label, Cold Water Inlet, HS	1
14	2-1019	Elbow, 3/8" Female	1	50	2-0155	Fastener, Ratchet, Black Nylon	2
15	10-09004	Label, Hot Water Outlet	1	51	2-01103	Grip, 1" Sqr, Handle	2
16	2-3409	Disk, Rupture Assy, 7000 PSI	1	52	2-00742	Adapter, 1/2" x 1/2" Pipe	1
17	2-1108	Hose Barb, 1/2" Barb x 3/8" MPT, Push-On	1	53	95-07102218	Assy, Frame	1
18	2-1085	Hose Barb, 1/4" Barb x 1/4" ML Pipe	2	54	90-40125	Washer, 3/8" x 1"	2
19	2-9040	Clamp, Hose, UNI .46-.54	7	55	90-20012	Nut, Whiz Loc 5/16	4
20	2-2007	Nipple, 3/8" x 3/8" NPT ST Male	1	56	4-02100000	Hose, 1/4" Push-On	21"
21	90-2020	Nut, 3/8" x 12 Gauge	4	57	95-07102311	Axle, 5/8" x 22"	1
22	2-99031	Filter, Diesel, Disposable	1	58	Please See Specifications Pages		
23	90-2022	Nut, Cage, 1/4" x 16 Gauge	4	59	90-4015	Washer, 7/16" x 2-1/2", Zinc, PG Foot	2
24	95-07102247	Fuel Strap, Long	2	60	90-4005	Washer, 5/8", Flat, SAE	2
25	90-1996	Screw, 3/8" x 3/4" HH NC, Whiz Loc	2	61	6-01060	GFCI, 120V 20A, w/36' 12-3 Cord	1
26	10-020110	Label, Use Only Kerosene	1	62	10-08018	Label, Warning, Service Cord	1
27	2-011576	Cap, Non-Vented, Plastic	1	63	4-02100000	Hose, 1/4" Push-On	6"
28	11-1043	Label, Warning, Pictorial	1	64	6-0516	Relief, Strain, 1/2" Metal	1
29	2-01041	Pad, Soft Rubber, 50 DURO	2	65	90-4002	Washer, 3/8", SAE, Flat	10
30	95-07102248	Fuel Strap, Short	2	66	90-10201	Bolt, 3/8" x 2-1/4", HH, Grade .5	2
31	2-30057	Valve, 1/4" Shut-Off	1	67	90-20040	Nut, 3/8", Flange Whiz Loc, NC	6
32	2-010061	Bushing, Rubber, Nitrile	3	68	6-01011	Cord, Service 16/4	5 ft.
33	2-00601	Elbow, 1/2" JIC, 3/8" Fem, 90°	1	69	90-19960	Screw, 3/8" x 1-1/4"	4
34	4-02047732	Hose, 3/8" x 32", 2 Wire, Pressure Loop	1	70	95-07290053	Retainer, Burner Insulation	1
35	6-01041	Cord, Service, SEO, 12/3, Coleman	33"	71	4-0303	Wheel & Tire Assy, 4" Steel Rim w/Tube	2
36	10-99078	Label, Motor Overload Reset, Lexan	1	72	90-20041	Collar, 5/8" Bore Shaft	2

EXPLODED VIEW - 2011 PARTS LIST

ITEM	PART NO.	DESCRIPTION	QTY
73	2-010066	Elbow, Fuel Tank, Zinc	1
74	90-2001	Nut, 5/16" ESNA, NC	4
75	95-07102217	Assy, Power Platform, Mini	1
76	95-07101226	Block, Discharge, Brass 1/2" x 1/2"	1
77	90-2002	Nut, 3/8", ESNA, NC	6
78	6-05152	Strain Relief, LQ Tite, Small	1
	6-05181A	▲ Locknut, 1/2"	1
79	95-07102310	Assy, Coil	1
80	2-0006	Nipple, 3/8" Hex	1
81	4-02100000	Hose, 1/4" Push On (28")	1
82	6-01011	Cord, Service, SEO 16-4	5 ft
83	4-05088	Kit, Thermostat, Adj. 302°F	1

ITEM	PART NO.	DESCRIPTION	QTY
84	35-156	Fuel Filter Upgrade Option (Items 84-86)	
	2-99050	Filter, Fuel Oil, H ₂ O	1
85	2-0013451	Nipple, 1/4" x 3" Black Pipe	1
86	2-1089	Hose Barb, 1/4" Barb x 1/4" Pipe, 90°	1
87	2-0031	Elbow, 3/8" STL, Street	1
88	2-00681	Bushing, 1/2" x 3/8"	1
89	2-00742	Adapter, 1/2" x 1/2" Pipe	1
90	95-07104506	Retainer Ring, Insulation	1

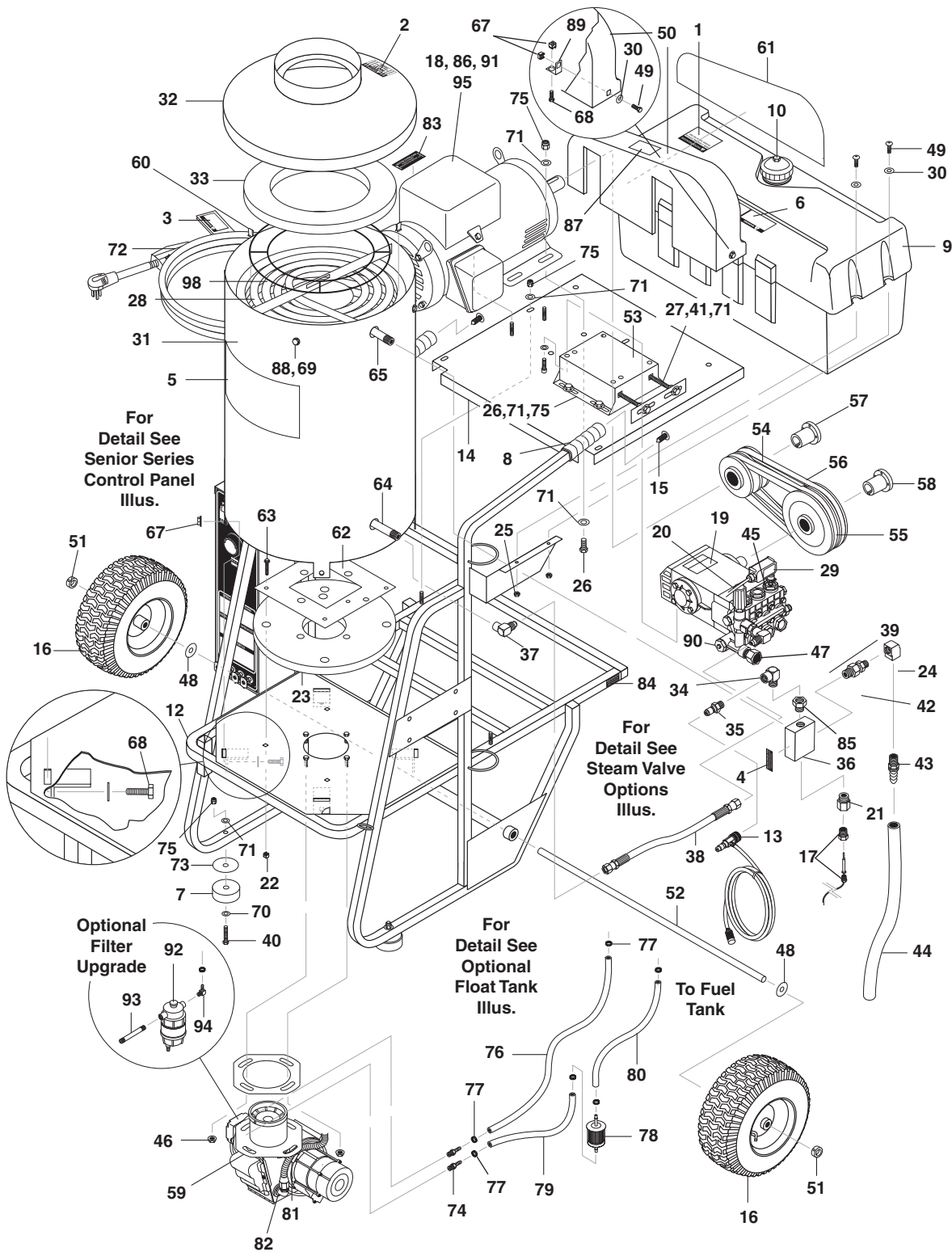
▲ Not Shown

3520 PARTS LIST

ITEM	PART NO.	DESCRIPTION	QTY	ITEM	PART NO.	DESCRIPTION	QTY
1	10-020110	Label, Use Only Kerosene	1	42	2-3409	Disk, Rupture Assy, 7000 PSI	1
2	10-02025A	Label, "Hot/Caliente" with Arrows Warning	1	43	2-1108	Hose Barb, 1/2" Barb x 3/8" MPT, Push-On	1
3	10-08018	Label, Warn, Service Cord	1	44	4-02110000	Hose, 1/2", Push-On	2.5 ft.
4	10-09004	Label, Hot Water Outlet	1	45	95-07290029	Tank Head Assy. 16" x 8"	1
5	11-013	Label, Logo Large (HPB)	1	46	95-07101226	Block, 1/2" x 1/2", Discharge	1
6	11-0101	Label, Warning (Lexan)	1	47	95-07102205	Axle, 5/8" x 25.710"	1
7	Please See Specification Pages			48	90-20041	Collar, 5/8"	2
8	Please See Specification Pages			49	90-20040	Nut, 3/8" Flange, Whiz Loc	4
9	Please See Specification Pages			50	4-02047729	Hose, 3/8" x 29"	1
10	2-1019	Elbow, 3/8" Female	1	51	Please See Specification Pages		
11	95-07102242	Frame, Junior	1	52	95-07290053	Retainer, Burner Insulation	1
12	2-10942	Swivel, 1/2" MP x 3/4" GHF w/Strainer	1	53	7-01482	Insulation, Tank Bottom, 1" Blanket	1
13	7-014862	Tank Head Insul.	1	54	90-40125	Washer, 3/8" x 1"	2
14	90-40001	Washer, 1/4"	4	55	90-4001	Washer, 5/16", Flat	8
15	6-0128	Conduit, 25"	1	56	90-2001	Nut, 5/16", ESNA	4
16	6-051591	Connector 1/2" L/T 90° Black	1	57	90-2020	Nut, Cage, 3/8" x 12 GA	4
17	2-00742	Adapter, 1/2" x 1/2" Pipe	1	58	95-07200129	Wrap, Outer Coil, Red (3520)	1
18	4-011184	Downstream Injector Assy, Non-Adj #3 (3520)	1	59	95-07104506	Retainer Ring, Insulation	1
19	95-07121218	Coil, Heating, Jr.	1	60	2-00091	Nipple, 1/2" x 3", Galv.	1
20	90-1016	Bolt, 3/8" x 1"	4	61	2-0013451	Nipple, 1/4" x 3"	1
21	2-01041	Pad, Soft Rubber, 50 Duro	2	62	90-19960	Screw, 3/8" x 1-1/4" Whiz Loc	4
22	2-01103	Grip, 1" SQR, Handle	2	63	90-19980	Screw, 1/4" x 1"	4
23	2-011506	Tank Fuel, 9 Gallon Poly, Black	1	64	90-200012	Nut, 1/4" Flange	4
24	2-01167	Cap, Fuel Tank Plastic H60-AV	1	65	2-0155	Fastener, Ratchet, Blk Nylon	2
25	4-0303	Wheel & Tire, 4" Steel Rim w/Tube	2	66	90-4005	Washer, 5/8" Flat	2
26	4-05088	Adjustable Thermostat	1	67	2-00101	Nipple, 1/2" x 4", Galv.	1
27	90-1006	Bolt, 5/16" x 3/4"	4	68	2-9040	Clamp, Hose UNI .46-.54	6
28	6-01059	GFCI, 240V 1PH 30A w/36' 10-3 Cord (3520)	1	69	6-051595	▲ Relief, Strain, LQ Tite(3520)	1
29	2-300812	Pump Protector, 1/4"	1	70	6-05181B	▲ Lock-Nut, 3/4"	1
30	10-09003	Label, Cold Water Inlet HS	1	71	6-0108	▲ Cord, Service, 10/3(3520)	44"
31	2-1089	Hose Barb, 1/4" Barb x 1/4" Pipe, 90°	1	72	2-00681	Bushing, 1/2" x 3/8"	1
32	2-00602	Elbow, 1/2" JIC x 1/2" FM	1	73	2-1085	Hose Barb	2
33	6-021720	Pressure Switch, 1/4"	1	74	2-99031	Fuel Filter	1
34	2-0031	Elbow, 3/8" Street	1	75	4-02100000	Fuel Line, 1/4" Push-On	28"
35	2-0053	Elbow, 1/2" JIC, 3/8", 90°	1	76	4-02100000	Fuel Line, 1/4" Push-On	21"
36	2-2007	Coupler Plug, 3/8" Male	1	77	4-02100000	Fuel Line, 1/4" Push-On	6"
37	90-50045	Clip, Retainer	4	78	35-156	Fuel Filter Upgrade Option (Items 82-84)	
38	90-2002	Nut, 3/8" ESNA	2		2-99050	Filter, Fuel/Oil/H ₂ O	1
39	90-4002	Washer, 3/8" Flat	6	79	90-2022	Nut, Cage, 1/4" x 16 Gauge	5
40	90-4015	Washer, 3/8" x 2-1/2"	2	80	90-19710	Screw 1/4" x 3/4" HH NC Whiz Loc	5
41	90-10201	Bolt, 3/8" x 2-1/4"	2	81	10-99078	Label, Motor Overload Reset	1

▲ Not Shown

EXPLODED VIEW - 3530, 4020



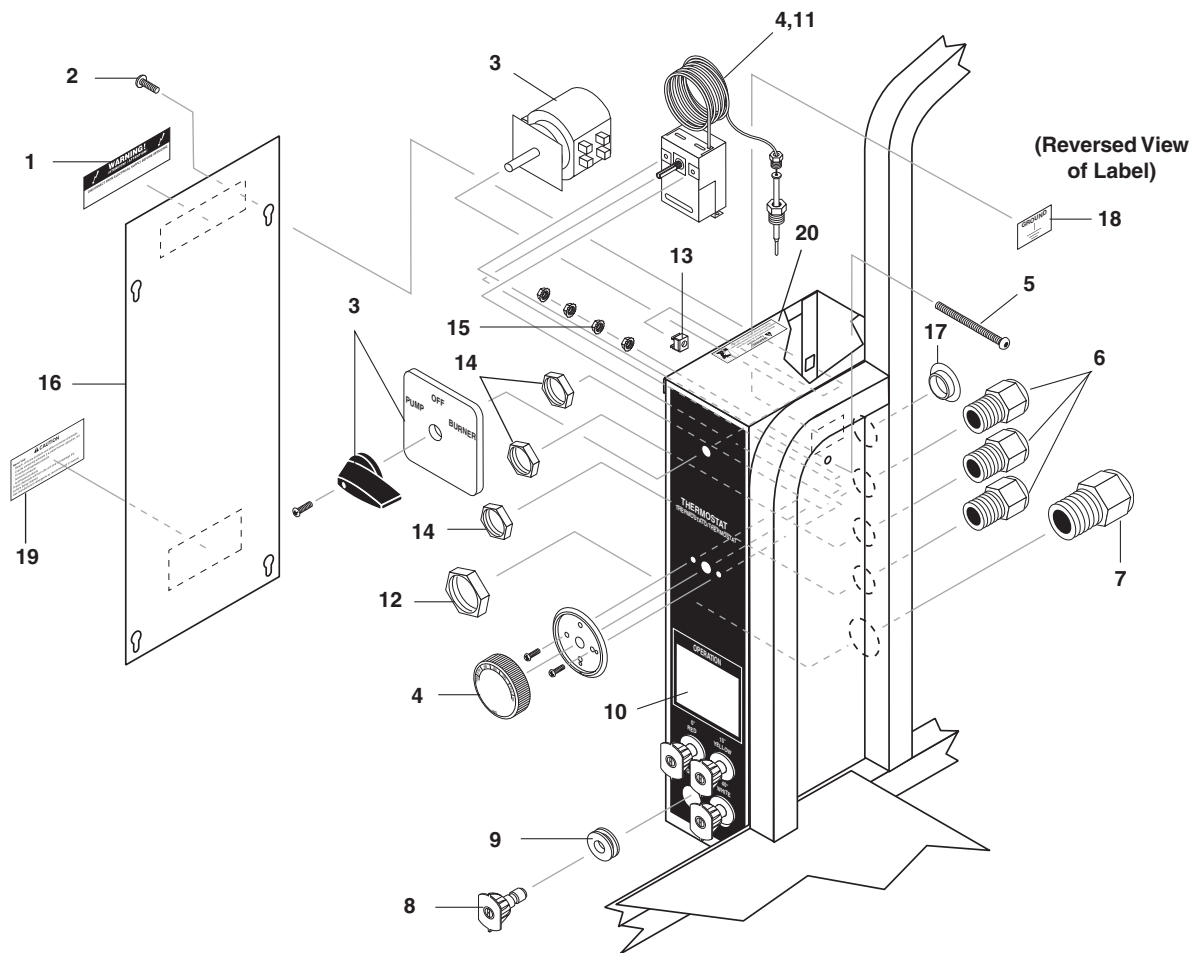
3530, 4020 PARTS LIST

ITEM	PART NO.	DESCRIPTION	QTY	ITEM	PART NO.	DESCRIPTION	QTY
1	10-020110	Label, Use Only Kerosene	1	38	4-02047722	Hose, 3/8" x 22"	1
2	10-02025A	Label, "Hot/Caliente" with Arrows Warning	1	39	2-0053	Elbow, 1/2" JIC x 3/8", 90°	1
3	10-08018	Label, Warning, Service Cord	1	40	90-10201	Bolt, 3/8" x 2-1/4"	1
4	10-09004	Label, Hot Water Outlet	1	41	90-2007	Nut, 3/8" Hex	2
5	11-013	Label, Logo, Large (HPB)	1	42	2-3409	Rupture Disk Assy, 7000 PSI	1
6	11-0101	Label, Warning (Lexan)	1	43	2-1108	Hose Barb, 1/2" Barb x 3/8" MPT, Push-On	1
7	2-01041	Pad, Soft Rubber, 50 Duro	2	44	4-02110000	Hose, 1/2" Push-On	2.5 ft.
8	2-01103	Grip, 1" SQR, Handle	2	45	70-460146	Cap, Valve w/1/4" Port	1
9	2-011506	Tank, Fuel, 9 Gallon Poly, Black	1	46	90-20040	Nut, 3/8" Flange, Whiz Loc	4
10	2-01167	Cap, Fuel Tank, Plastic H60-AV	1	47	2-10942	Swivel, 1/2", GHF	1
11	2-30082	Pump Protector, 1/2" PTP	1	48	90-4005	Washer, 5/8" Flat	2
12	95-07102241	Frame	1	49	90-19980	Screw, 1/4" x 1"	7
13	4-011184	Downstream Injector Assy., Non Adj. #3	1	50	2-011724	Belt Guard	1
14	95-07102243	Power Platform (4020)	1	51	90-20041	Collar, 5/8"	2
	95-07102245	Power Platform, Large (3530)	1	52	95-07102215	Axle, SR	1
15	2-0155	Fastener, Ratchet Blk Nylon	2	53	95-07102244	Pump Rail	1
16	4-0307	Wheel & Tire, 6" Steel Rim	2	54	Please See Specifications Pages		
17	4-05088	Thermostat, General 302°	1	55	Please See Specifications Pages		
18	Please See Specifications Pages			56	Please See Specifications Pages		
19	Please See Specifications Pages			57	Please See Specifications Pages		
20	Please See Specifications Pages			58	Please See Specifications Pages		
21	2-00742	Adapter, 1/2" x 1/2"	1	59	Please See Specifications Pages		
22	90-2020	Nut, Cage, 3/8" x 12 Gauge	4	60	90-50045	Clip, Retainer	4
23	7-014865	Insulation Blanket, 18" OD x 4.5" ID	1	61	11-3229	Label, Belt Guard (HPB)	1
24	2-1019	Elbow, 3/8" Female	1	62	95-07290053	Retainer, Burner Insulation	1
25	90-200012	Nut, 1/4", Flange	4	63	90-19960	Screw, 3/8" x 1-1/4" Whiz Loc	4
26	90-1016	Bolt, 3/8" x 1" (3530) (4020)	6 8	64	2-00091	Nipple, 1/2" x 3", Galv.	1
27	90-10220	Bolt, 3/8" x 3-1/2", TAP	2	65	2-00101	Nipple, 1/2" x 4", Galv.	1
28	95-07164054	Coil 18"	1	66	90-20012	Nut Whiz, 5/16" Flange	4
	7-01433	▲ Insulation Blanket	1	67	90-20231	Nut, Cage, 1/4" x 12 GA	6
29	6-021720	Pressure Switch, 1/4"	1	68	90-19711	Screw, 1/4" x 1/2", Whiz Loc	3
30	90-40001	Washer, 1/4"	7	69	90-19708	Screw, 1/4" x 1-1/4", Whiz Loc	4
31	95-07164057	Outer Wrap, 18" Coil	1	70	90-40125	Washer, 3/8" x 1"	2
32	95-07163088	Wrap, Burner, Top	18"	71	90-4002	Washer, 3/8", Flat (3530) (4020)	23 25
33	7-014864	Insulation Disk	1	72	6-01059	GFCI, 230V, 30 Amp (4020)	1
34	2-0031	Elbow, 3/8" Street	1		6-010690	GFCI, 240V, 40 Amp (3530)	1
35	2-2007	Nipple, 3/8"	1	73	90-4015	Washer, 7/16" x 2-1/2"	2
36	95-07101226	Discharge Block, 1/2" x 1/2"	1	74	2-1085	Hose Barb, 1/4"	2
37	2-00602	Elbow, 1/2" JIC x 1/2" FEM	1	75	90-2002	Nut, 3/8", ESNA	13
				76	4-02100000	Fuel Line, 1/4"	28"

3530, 4020 PARTS LIST

ITEM	PART NO.	DESCRIPTION	QTY	ITEM	PART NO.	DESCRIPTION	QTY
77	2-9040	Clamp, Hose UNI .46-.54	6	90	2-1044	Plug, 1/8" Countersunk	1
78	2-99031	Filter, Fuel	1	91	6-0108	▲ Cord, Service 10/3 (4020) 44"	
79	4-02100000	Fuel Line, 1/4" Push-On	21"		6-0102	▲ Cord, Service 8/3 (3530) 44"	
80	4-02100000	Fuel Line, 1/4" Push-On	6"	92	35-156	Fuel Filter Upgrade Option (Items 92-94)	
81	6-0128	Conduit, Water Tite	25"		2-99050	Filter, Fuel/Oil/H ₂ O	1
82	6-051591	Connector 1/2" L/T 90° Black	1	93	2-0013451	Nipple, 1/4" x 3"	1
83	10-99078	Label, Motor Overload Reset (4020)	1	94	2-1089	Hose Barb, 1/4" Barb, 1/4" Pipe, 90°	1
84	10-09003	Label, Cold Water Inlet	1	95	6-051595	▲ Strain Relief, 3/4" (4020)	1
85	2-00681	Bushing, 1/2" x 3/8"	1		6-051700	▲ Strain Relief, 1" (3530)	1
86	6-05181B	▲ Locknut, 3/4" (4020)	1	96	90-1006	Bolt, 5/16" x 3/4"	4
	6-05182	▲ Locknut, 1" (3530)	1	97	90-4001	Washer, 5/16" Flat	4
87	10-02028	Label, Warning Exposed Pulleys	1	98	95-07104741	Retainer Ring, Insulation	1
88	90-2022	Nut, Cage 1/4" x 16 Gauge	4			▲ Not Shown	
89	95-07102101	Tab, Belt Guard Mount	3				

CONTROL PANEL - 2011

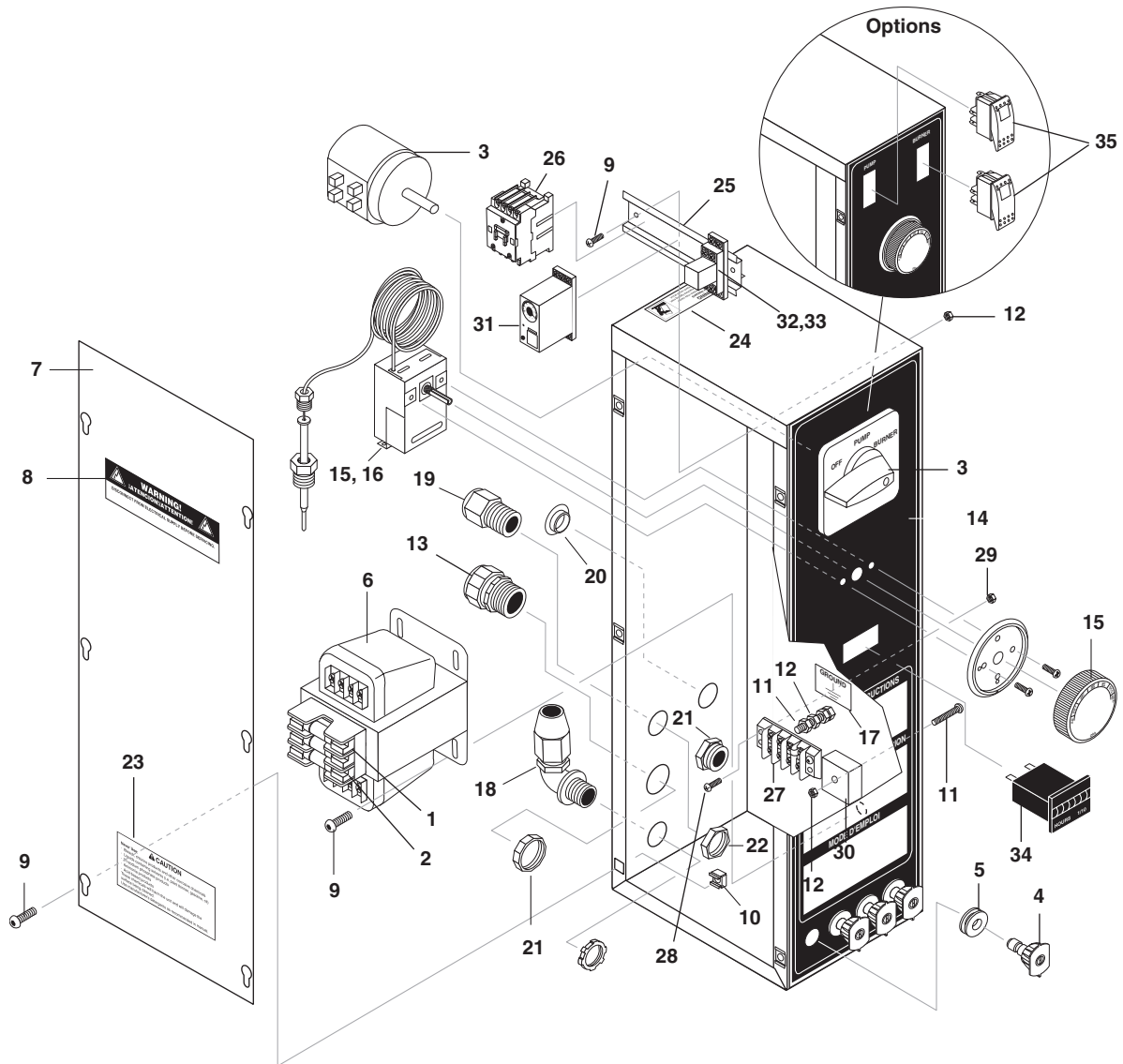


2011 CONTROL PANEL PARTS LIST

ITEM	PART NO.	DESCRIPTION	QTY	ITEM	PART NO.	DESCRIPTION	QTY
1	10-08021	Label, Disc. Power Supply	1	9	2-0103	Grommet, Rubber, Nozzle Holder	4
2	90-1991	Screw, 10/32" x 1/2" NHSOC, Black	4	10	11-0318	Label, Control Panel, Mini	1
3	6-020201	Switch, 3 PS, 115V-230V, 1PH	1	11	6-01270	▲ Conduit, 1/4" Split	36"
4	4-05088	Thermostat, Adjustable, 302°F	1	12	6-05181B	Locknut, 3/4" 8465	1
5	90-1994	Screw, 10/32" x 1-1/4" RH, SL, Blk	1	13	9-2018	Nut, Cage, 10/32" x 16 GA	4
6	6-05152	Strain Relief, STRT, LQ TITE 3231, Small	3	14	6-05181A	Locknut, 1/2" 8463	3
7	6-051532	Strain Relief, STRT, LQ TITE w/Gasket	1	15	90-017	Nut, 10/32" Keps	4
8	4-12804000	Nozzle, SAQCMEG 0004, Red	1	16	95-07102246	Electric Box Cover, Mini	1
	4-12804015	Nozzle, SAQCMEG 1504, Yellow	1	17	2-01403	Bushing, Snap, 5/8"	1
	4-12804025	Nozzle, SAQCMEG 2504, Green	1	18	11-1042	Label, Ground	1
	4-12804040	Nozzle, SAQCMEG 4004, White	1	19	9.800-049.0	Label, Cleaning Solution	1
				20	9.800-018.0	Label, Tip Over Hazard	1

▲ Not Shown

CONTROL PANEL - 3520



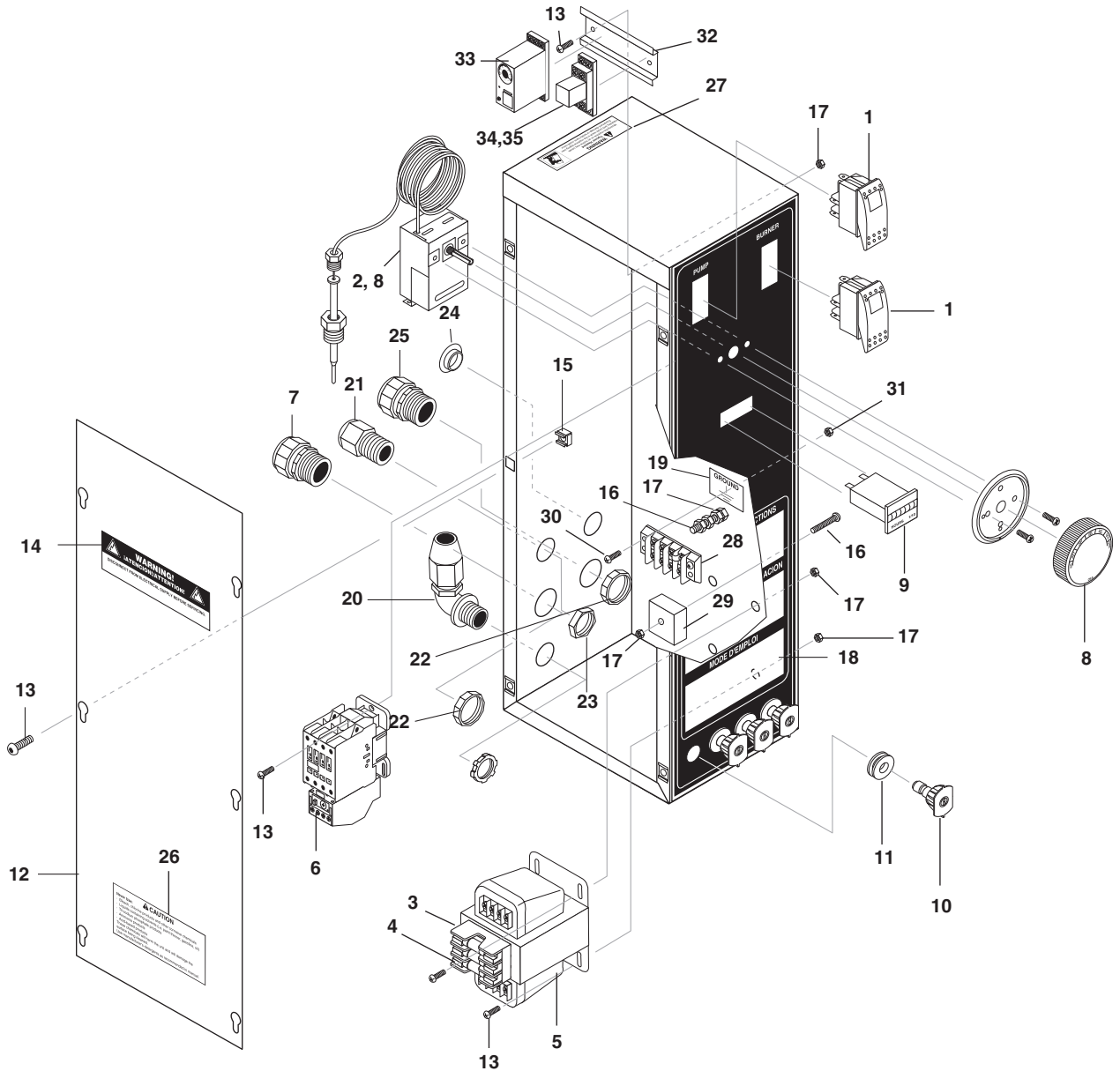
3520 CONTROL PANEL PARTS LIST

ITEM	PART NO.	DESCRIPTION	QTY	ITEM	PART NO.	DESCRIPTION	QTY
1		Fuse, Please See Specifications Pages		8	10-08021	Label, Disconnect Power	1
2		Fuse, Please See Specifications Pages		9	90-1991	Screw, 10/32" x 1/2" (Auto Start/Stop, Time Delay Options)	10
3	6-020201	Switch, 3 PS, 115V-230V, 1 PH Salzer	1	10	90-2018	Nut, Cage, 10/32" x 16 Ga.	6
4	4-12805000	Nozzle, SAQCMEG 0005, Red (3520)	1	11	90-1994	Screw, 10/32" x 1-1/4" (Auto Start/Stop Option)	1
	4-12805015	Nozzle, SAQCMEG 1505, Yellow (3520)	1	12	90-017	Nut, 10/32" Keps (Time Delay Option) (Auto Start/Stop)	9
4	4-12805025	Nozzle, SAQCMEG 2505, Green (3520)	1				2
	4-12805040	Nozzle, SAQCMEG 4005, White (3520)	1	13	6-051595	Strain Relief, STRT, L/T, LG (3520)	2
5	2-0103	Grommet, Rubber	4		6-051532	Strain Relief w/Gasket (2015)	1
6		Transformer, Please See Specifications Pages		14	11-0305	Label, Control Panel (HPB)	1
7	95-07102240	Cover, Electrical Box	1		11-0304	Label, Control Panel (HPB) (Time Delay Option, Auto Start/Stop Option)	1

3520 CONTROL PANEL PARTS LIST

ITEM	PART NO.	DESCRIPTION	QTY	ITEM	PART NO.	DESCRIPTION	QTY
15	4-05088	Adj. Thermostat, Adj. 302° F	1	29	90-200490	Nut, 8/32" Keps (Time Delay Option, Auto Start/Stop Option)	2
16	6-01270	▲ 1/4" Split Conduit	4 ft.	30	6-036880	Timer, Solid State 120V 5-60 Mins., Adj. (Auto Start/Stop Option)	1
17	11-1042	Label, Ground	1	31	6-03700	Timer, Multi-Function 24V-120/240V (Time Delay Option)	1
18	6-051591	Connector, 1/2", L/T 90°	1	32	6-03541	Base, Relay (Time Delay Option)	1
19	6-05152	Strain Relief, STRT, L/T, Sm	1	33	6-03621	Relay, 120V (Time Delay Option)	1
20	2-01403	Bushing, Snap 5/8"	1	34	4-050822	Meter, Hour (Optional)	1
21	6-05181B	Locknut, 3/4"	2	35	6-020240	Switch, Rocker, Carling, Green (Auto Start/Stop Option) (Time Delay Option)	2 1
22	6-05181A	Locknut, 1/2"	1		6-020241	Switch, Rocker, Red (Time Delay Option)	1
23	9.800-049.0	Label, Cleaning Solution	1			▲ Not Shown	
24	9.800-018.0	Label, Tip Over Hazard	1				
25	6-021595	Rail, Din (Time Delay Option)6" (Auto Start/Stop Option)	4"				
26	8.724-268.0	Contactor, 120V (Time Delay Option, Auto Start/Stop Option)	1				
27	6-0504	Block, Terminal, 4 Pole (Time Delay Option, Auto Start/Stop Option)	1				
28	90-16	Screw, 8/32" x 3/4" (Time Delay Option, Auto Start/Stop Option)	2				

CONTROL PANEL - 3530, 4020



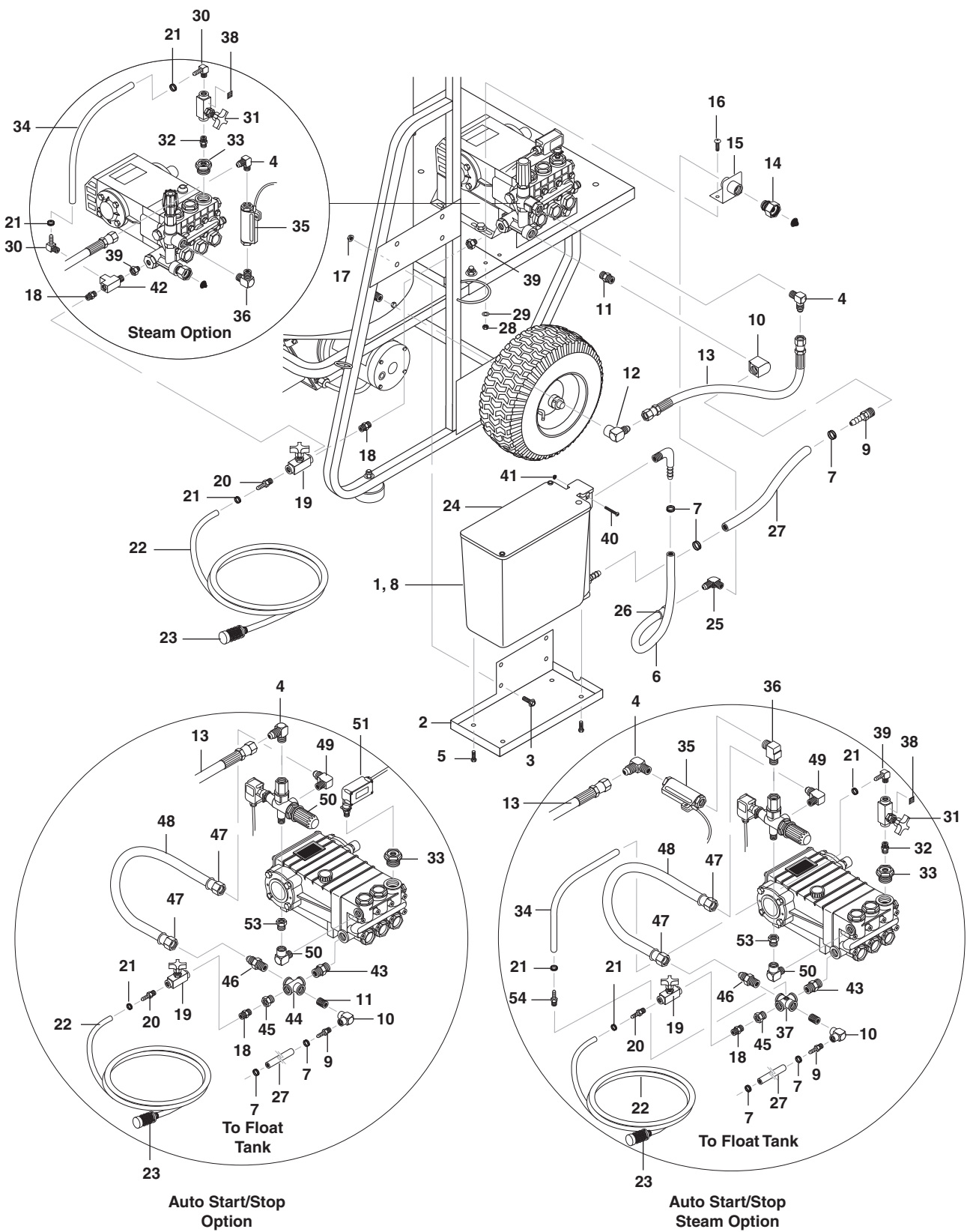
3530, 4020 CONTROL PANEL PARTS LIST

ITEM	PART NO.	DESCRIPTION	QTY	ITEM	PART NO.	DESCRIPTION	QTY
1	6-020240	Switch, Rocker, Carling w/Green Lens (Time Delay Option)	2	7	6-051595	Strain Relief, STRT, L/T, (4020) LG	1
	6-020241	Switch, Rocker, Red (Time Delay Option)	1		6-05170	Strain Relief, 3/4" Watertight (3530)	1
2	6-01270	▲ Conduit, 1/4" Split	4 ft.	8	4-05088	Thermostat, General 302°	1
3		Fuse, Please See Specifications Pages		9	4-050822	Hour Meter (Optional)	1
4		Fuse, Please See Specifications Pages		10	4-12805500	Nozzle, SAQCMEG 0055, Red (4020)	1
5		Transformer, Please See Specifications Pages			4-12805515	Nozzle, SAQCMEG 1505.5, Yellow (4020)	1
6		Contacteur Overload, Please See Spec's Pages			4-12805525	Nozzle, SAQCMEG 2505.5, Green (4020)	1
					4-12805540	Nozzle, SAQCMEG 4005.5, White (4020)	1

3530, 4020 CONTROL PANEL PARTS LIST

ITEM	PART NO.	DESCRIPTION	QTY	ITEM	PART NO.	DESCRIPTION	QTY
10	4-12804000	Nozzle, SAQCMEG 0004 Red (3530)	1	23	6-05181A	Locknut, 1/2"	1
	4-12804015	Nozzle SAQCMEG 1504 Yellow (3530)	1	24	2-01403	Bushing, Snap 5/8"	1
	4-12804025	Nozzle, SAQCMEG 2504 Green (3530)	1	25	6-051595	Strain Relief, STRT, L/T, LG	1
	4-12804040	Nozzle, SAQCMEG 4004 White (3530)	1	26	9.800-049.0	Label, Cleaning Solution	1
11	2-0103	Grommet, Rubber, Nozzle Holder	4	27	9.800-018.0	Label, Tip Over Hazard	1
12	95-07102240	Cover, Elec Box	1	28	6-0504	Block, Terminal, 4 Pole (Time Delay Option, Auto Start/Stop Option)	1
13	90-1991	Screw, 10/32" x 1/2" (Time Delay Option)	13 2	29	6-036880	Timer, Solid State, 120V, 5-60 Mins Adj. (Auto Start/Stop Option)	1
14	10-08021	Label, Disconnect Power Supply	1	30	90-16	Screw, 8/32" x 3/4" (Time Delay Option, Auto Start/Stop Option)	2
15	90-2018	Nut, Cage, 10/32" x 16 ga.	6	31	90-200490	Nut, 8/32" Keps (Time Delay Option, Auto Start/Stop Option)	2
16	90-1994	Screw, 10/32" x 1-1/4" (Auto Start/Stop Option)	1 1	32	6-021595	Rail, Din (Time Delay Option)2"	
17	90-017	Nut, 10/32" Keps (Time Delay Option)	12 2	33	6-03700	Timer, Multi-Function (Time Delay Option)	1
		(Auto Stop/Start Options)	1	34	6-03541	Base, Relay (Time Delay Option)	1
18	11-0304	Label, Control Panel (HPB)	1	35	6-03621	Relay, 120V (Time Delay Option)	1
19	11-1042	Label, Ground	1			▲ Not Shown	
20	6-051591	Connector, 1/2", L/T 90°, Blk	1				
21	6-05152	Strain Relief, STRT, L/T, Sm	1				
22	6-05181B	Locknut, 3/4" (4020)	2				
		(3530)	1				
	6-05172	Locknut, 3/4" Conduit (3530)	1				

FLOAT TANK OPTION - 3530, 4020



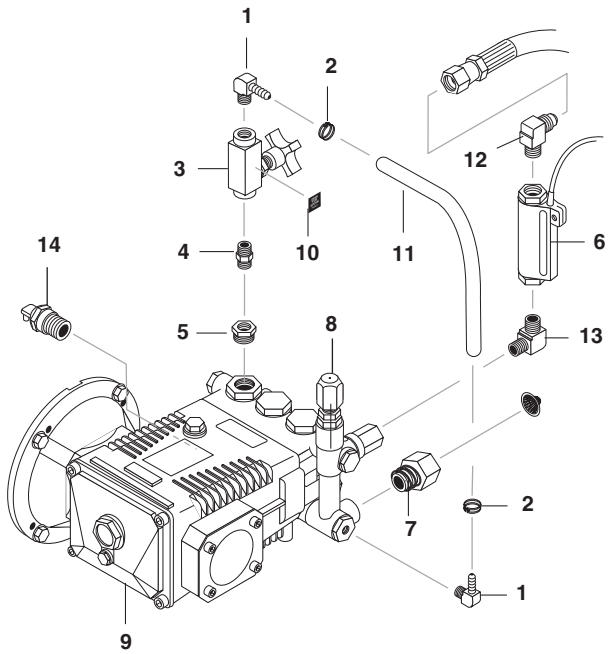
3530, 4020 FLOAT TANK OPTION PARTS LIST

ITEM	PART NO.	DESCRIPTION	QTY	ITEM	PART NO.	DESCRIPTION	QTY
1	2-011641	Tank, Float	1	30	2-1089	Hose Barb, 1/4" Barb x 1/4" Pipe, 90°	2
2	95-071022137	Shelf, Float Tank	1	31	2-30151	Valve, Flow Control w/Metering	1
3	90-1996	Screw, 3/8" x 3/4" HH NC, Whiz Loc	4	32	2-0004	Nipple, 1/4" Hex Steel	1
4	2-0053	Elbow, 1/2" JIC x 3/8" Fem, 90°	1	33	70-460146	Cap, Valve with 1/4" Gauge Port	1
5	90-19712	Screw, 5/16" x 1/2" Whiz Lock4		34	4-02100000	Hose, 1/4", Push-on	14
6	4-02110000	Hose, 1/2", Push-On	20 in	35	6-021730	Flow Switch	1
7	2-9002	Clamp, Screw, #6	3	36	2-00270	Elbow, 3/8" Male Pipe	1
8	2-30122	▲ Valve, Float	1	37	2-10352	Cross, 1/2" Female w/1/8 Hole1	
	2-01021	▲ Ball Float	1	38	10-99011	Label, Open For Steam	1
9	2-10861	Hose Barb, 5/8" Barb x 1/2" ML Pipe	1	39	2-11031	Adapter, 1/4"x 1/8"	1
10	2-1020	Elbow, 1/2" Female, Brass	1	40	90-199400	Screw, 10/32" x 2-1/2"	1
11	2-10067	Modified Close Nipple, 1/2" NPT, 5/16"	1	41	90-017	Nut, 10/32" Keps	1
12	2-00602	Elbow, 1/2" x 1/2" Fem, 90°	1	42	2-1040	Tee, 1/4" Street	1
13	4-02047722	Hose, 3/8" x 22", 2 Wire, Pressure Loop	1	43	2-1007	Nipple, 1/2" Hex	1
14	2-10942	Swivel, 1/2" MP x 3/4" GHF w/Strainer	1	44	2-1035	Cross, 1/2" Female	1
15	95-07162007	Hose Connection Bracket	1	45	2-1076	Bushing, 1/2" x 1/4"	1
16	90-1001	Bolt, 1/4" x 3/4", NC HH	2	46	2-1053	Nipple, 1/2" JIC x 1/2" Pipe	1
17	90-20040	Nut, 3/8", Flange, Whiz Loc, NC	4	47	2-1105	Swivel, 1/2" JIC Female Push-on	2
18	2-1003	Nipple, 1/4" Hex	1	48	4-02110000	Hose, 1/2" Push-on	16"
19	2-3015	Valve, Flow Control	1	49	2-1060	Elbow, 1/2 JIC x 3/8" 90°	1
20	2-1085	Hose Barb, 1/4" Barb x 1/4" ML Pipe	1	50	5-3027	Unloader VB8 w/Switch	1
21	2-9040	Clamp, Hose, UNI, .46-.54 (Float Tank w/Steam)	1 3	51	6-021720	Switch, Pressure 1/4 Port	1
22	4-02080000	Tube, 1/4" x 1/2", Clear Vinyl	6 ft.	52	2-0031	Elbow, 3/8" Street	1
23	2-1905	Strainer, 1/4" Brass w/Check Valve	1	53	2-0074	Adapter, 3/8" x 3/8" Street	1
24	2-011642	Cover, Float Tank, Portotenica1		54	2-1084	Hose Barb, 1/4 Barb x 1/8" Pipe	1
25	2-1062	Elbow, 1/2" JIC x 1/2", 90°	1			▲ Not Shown	
26	2-1105	Swivel, 1/2" JIC Fem, Push-On	1				
27	4-02110003	Hose, 5/8" Push-On	12 in				
28	90-2000	Nut, 1/4", ESNA, NC	2				
29	90-4000	Washer, 1/4" Flat, SAE	4				

STEAM OPTIONS & PARTS LISTS

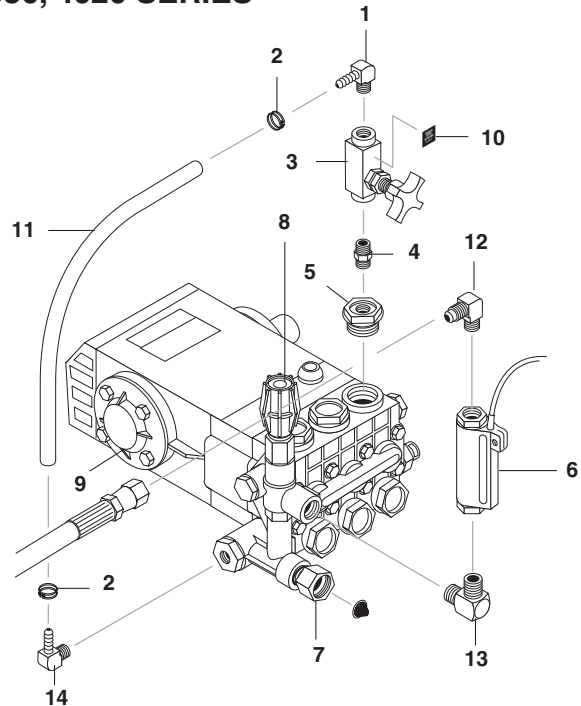
ITEM	PART NO.	DESCRIPTION	QTY
1	2-1089	Hose Barb, 1/4" Barb x 1/4" Pipe, 90°	2
2	2-9040	Clamp, Hose, UNI .46-.54	2
3	2-30151	Valve, Flow Control w/Metering	1
4	2-0004	Nipple, 1/4" Hex Steel	1
5	70-460148	Cap, Valve with 1/4" Gauge Port	1
6	6-021730	Switch, Flow, MV-60	1
7	2-10942	Swivel, 1/2" MP x 3/4" GHF w/Strainer	1
8	Unloader , Please See Specifications Pages		
9	Pump , Please See Specifications Pages		
10	10-99011	Label, Open For Steam	1
11	4-02100000	Hose, 1/4" Push-On	14"
12	2-0053	Elbow, 1/2" JIC x 3/8"	1
13	2-00270	Elbow, 3/8" Male Pipe	1
14	2-30082	Pump Protector, 1/2"	1

3520 SERIES

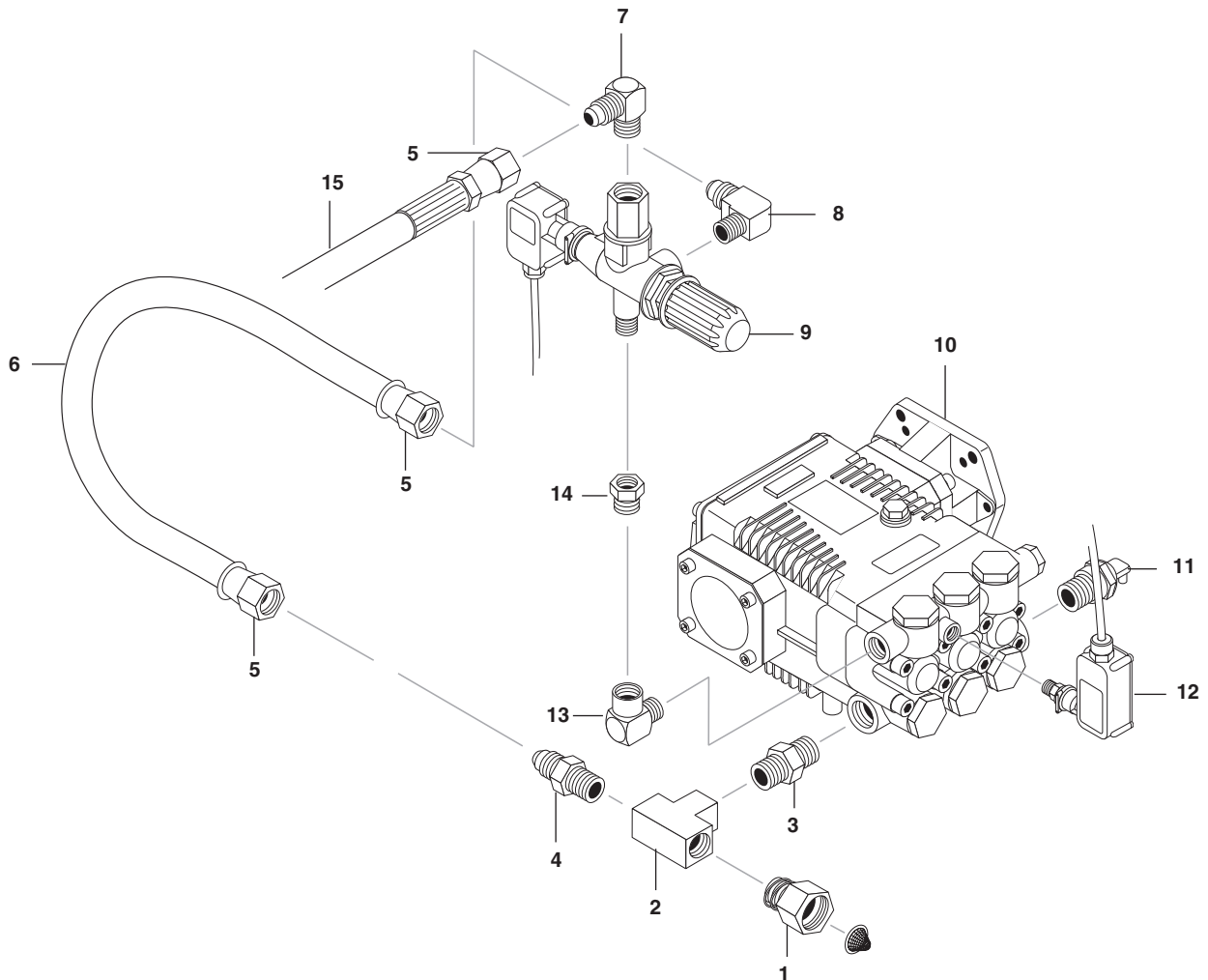


ITEM	PART NO.	DESCRIPTION	QTY
1	2-1089	Hose Barb, 1/4" Barb x 1/4" Pipe, 90°	1
2	2-9040	Clamp, Hose, UNI .46-.54	2
3	2-30151	Valve, Flow Control w/Metering	1
4	2-0004	Nipple, 1/4" Hex Steel	1
5	70-460146	Cap, Valve with 1/4" Ga. Port	1
6	6-021730	Switch, Flow, MV-60	1
7	2-10942	Swivel, 1/2" MP x 3/4" GHF w/Strainer	1
8	Unloader , Please See Specifications Pages		
9	Pump , Please See Specifications Pages		
10	10-99011	Label, Open For Steam	1
11	4-02100000	Hose, 1/4" Push-On	14"
12	2-0053	Elbow, 1/2" JIC x 3/8"	1
13	2-00270	Elbow, 3/8" Male Pipe	1
14	2-1088	Hose Barb, 1/4" Barb x 1/8" Pipe	1

3530, 4020 SERIES



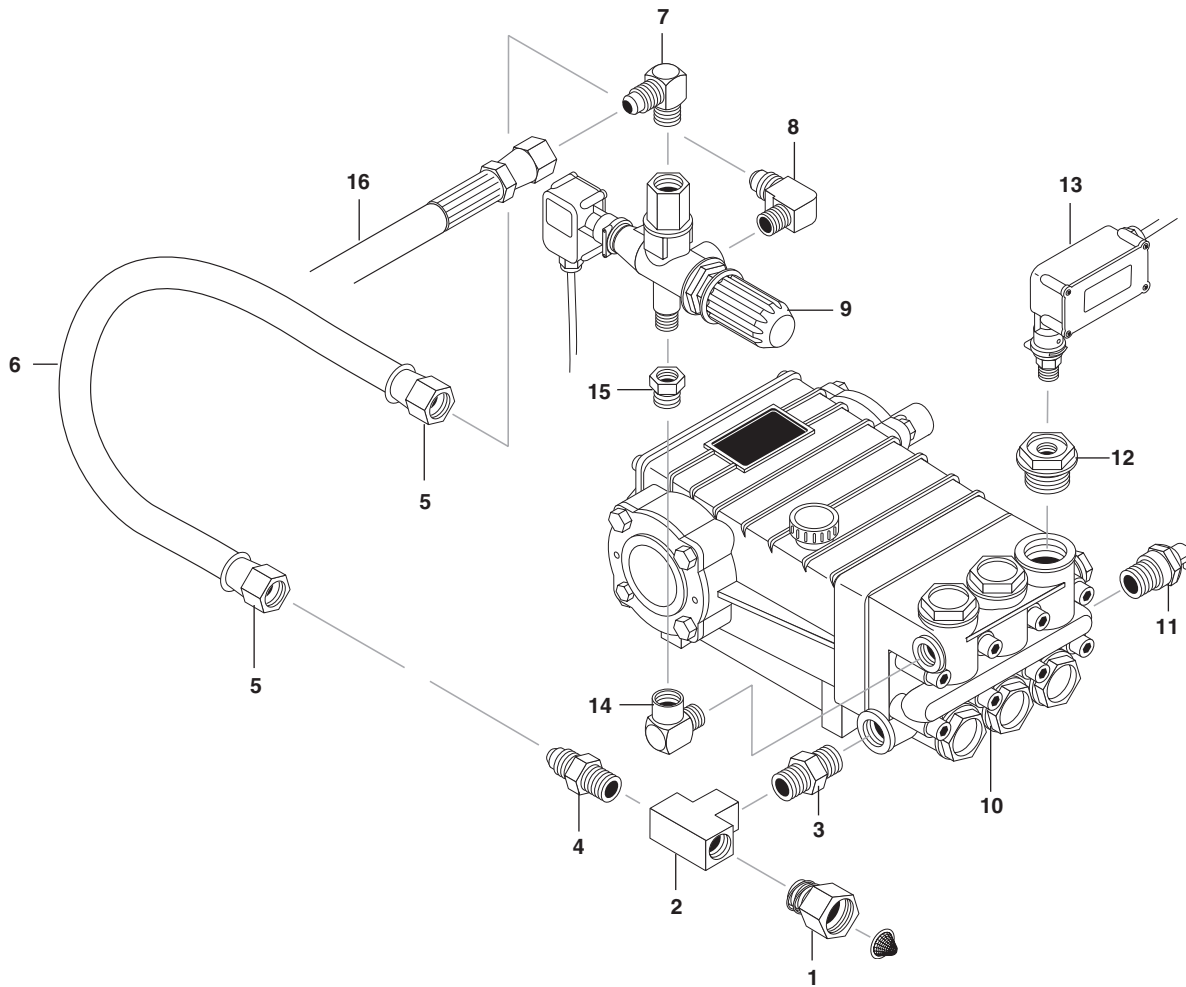
AUTO START/STOP OPTIONS - 3520



AUTO START/STOP OPTIONS - 3520 PARTS LIST

ITEM	PART NO.	DESCRIPTION	QTY	ITEM	PART NO.	DESCRIPTION	QTY
1	2-10942	Swivel, 1/2" MP x 3/4" GHF w/Strainer	1	8	2-1060	Elbow, 1/2" JIC x 3/8"	1
2	2-1032	Tee, 1/2" Female Pipe	1	9	5-3027	Unloader, VB8 w/Switch	1
3	2-1007	Nipple, 1/2" Hex	1	10		Pump, Please See Specifications Pages	
4	2-1053	Nipple, 1/2" JIC x 1/2" MPT Pipe	1	11	2-30082	Pump Protector, 1/2"	1
5	2-1105	Swivel, 1/2" JIC Fem, Push-on2		12	6-021720	Switch, Pressure 1/4" NPT	1
6	4-02110000	Hose, 1/2" Push-on	16 in	13	2-0031	Elbow, 3/8" Street	1
7	2-0053	Elbow, 1/2" JIC, 3/8"	1	14	2-0074	Adapter, 3/8" x 3/8" Street	1
				15	4-02047729	Hose, 3/8" x 29", Pressure Loop	1

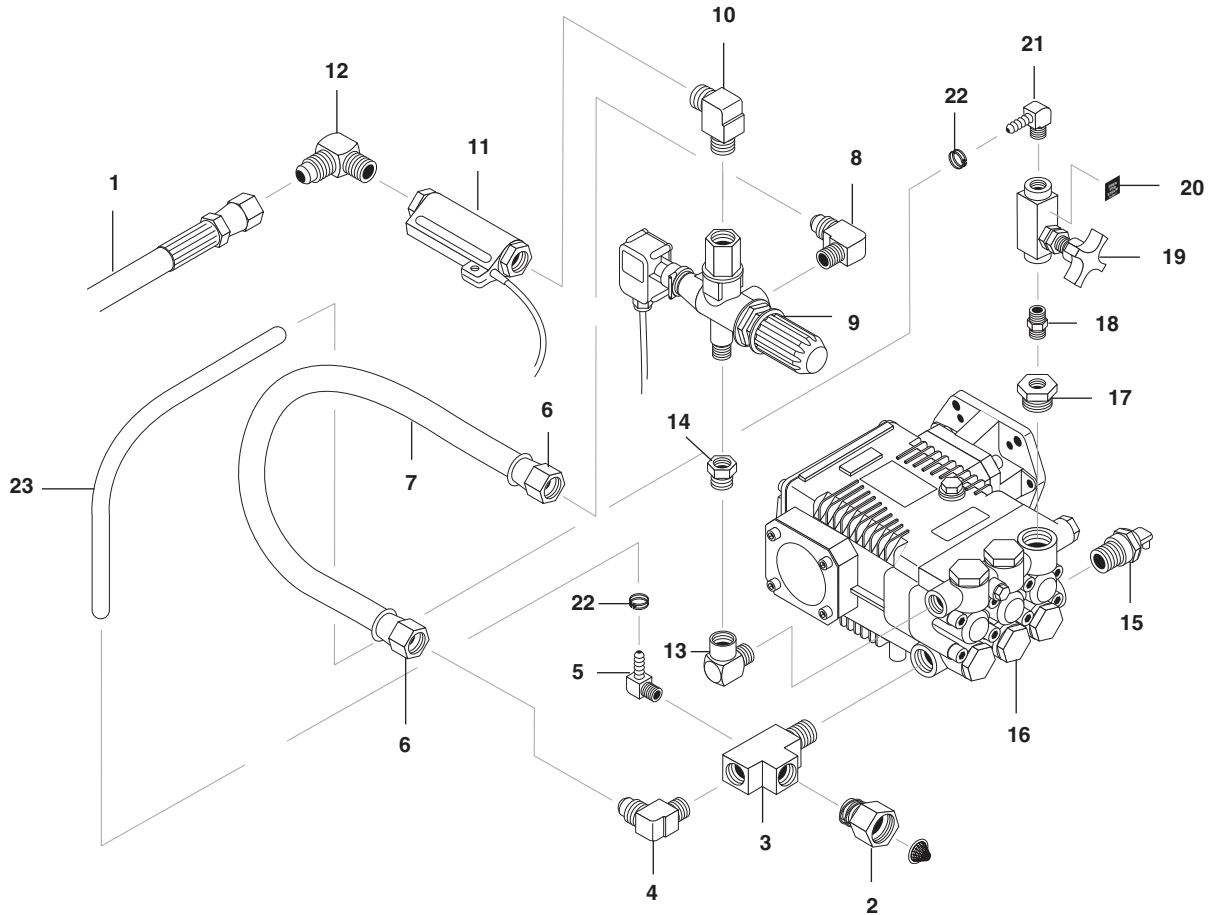
AUTO START/STOP OPTIONS - 3530, 4020



AUTO START/STOP OPTIONS - 3530, 4020 PARTS LIST

ITEM	PART NO.	DESCRIPTION	QTY	ITEM	PART NO.	DESCRIPTION	QTY
1	2-10942	Swivel, 1/2" MP x 3/4 GHF w/Strainer	1	8	2-1060	Elbow, 1/2" JIC, 3/8"	1
2	2-1032	Tee, 1/2 Female Pipe	1	9	5-3027	Unloader, VB8 w/Switch	1
3	2-1007	Nipple, 1/2" Hex	1	10		Pump, Please See Specifications Pages	
4	2-1053	Nipple, 1/2" JIC x 1/2" MPT Pipe	1	11	2-30082	Pump Protector, 1/2"	1
5	2-1105	Swivel, 1/2" JIC Fem Push-on2		12	70-460146	Cap, Valve with 1/4" Ga Port	1
6	4-02110000	Hose, 1/2" Push-on	16 in	13	6-021720	Switch, Pressure 1/4" NPT	1
7	2-0053	Elbow, 1/2 JIC, 3/8"	1	14	2-0031	Elbow, 3/8" Street	1
				15	2-0074	Adapter, 3/8" x 3/8" Street	1
				16	4-02047722	Hose, 3/8" x 22", Pressure Loop	1

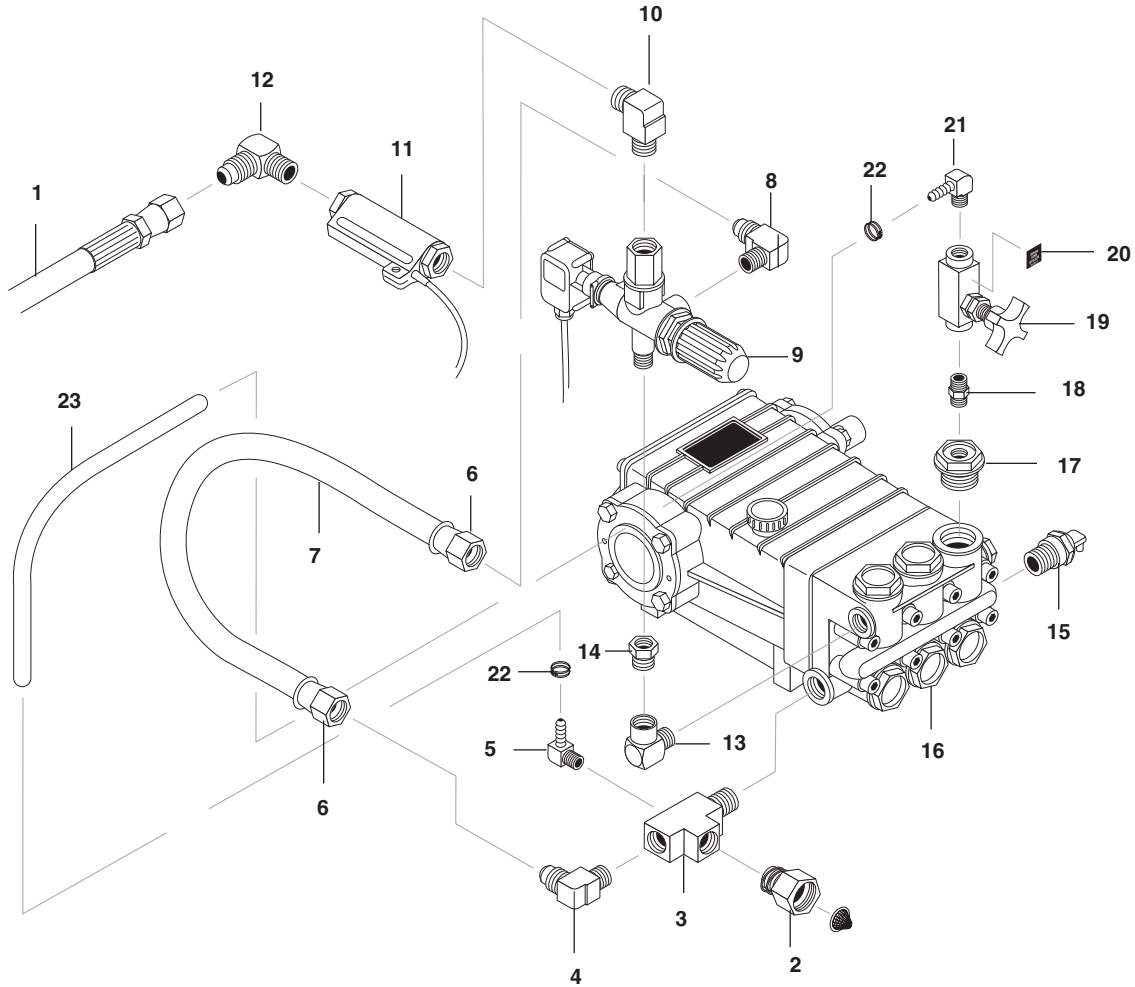
AUTO START/STOP STEAM OPTIONS - 3520



AUTO START/STOP STEAM OPTIONS - 3520 PARTS LIST

ITEM	PART NO.	DESCRIPTION	QTY	ITEM	PART NO.	DESCRIPTION	QTY
1	4-02047717	Hose, 3/8" x 18" Pressure Loop	1	12	2-0053	Elbow, 1/2 JIC, 3/8"	1
2	2-10942	Swivel, 1/2 x 3/4 GHF w/Strainer	1	13	2-0031	Elbow, 3/8" Street	1
3	2-10421	Tee, 1/2" w/1/8" Hole Street	1	14	2-0074	Adapter, 3/8" x 3/8" Steel	1
4	2-1062	Elbow, 1/2" JIC x 1/2 - 90°	1	15	2-30082	Pump Protector 1/2"	1
5	2-1088	Hose Barb, 1/4 Barb x 1/8" Pipe 90°	1	16	Pump, Please See Specifications Pages		
6	2-1105	Swivel, 1/2" JIC Fem, Push-on	2	17	70-460148	Cap, Valve w/1/4" Ga. Port	1
7	4-02110000	Hose, 1/2" Push-on	16 in	18	2-0004	Nipple, 1/4" Hex Steel	1
8	2-1060	Elbow, 1/2 JIC x 3/8" 90°	1	19	2-30151	Valve, Flow Control w/Metering	1
9	5-3027	Unloader, VB8 w/Switch	1	20	10-99011	Label, Open for Steam	1
10	2-00270	Elbow, 3/8" Male Pipe	1	21	2-1089	Hose Barb, 1/4" Barb x 1/4" Pipe	1
11	6-021730	Switch, Flow	1	22	2-9040	Clamp, Hose	2
				23	4-02100000	Hose, 1/4" Push-on	14 in.

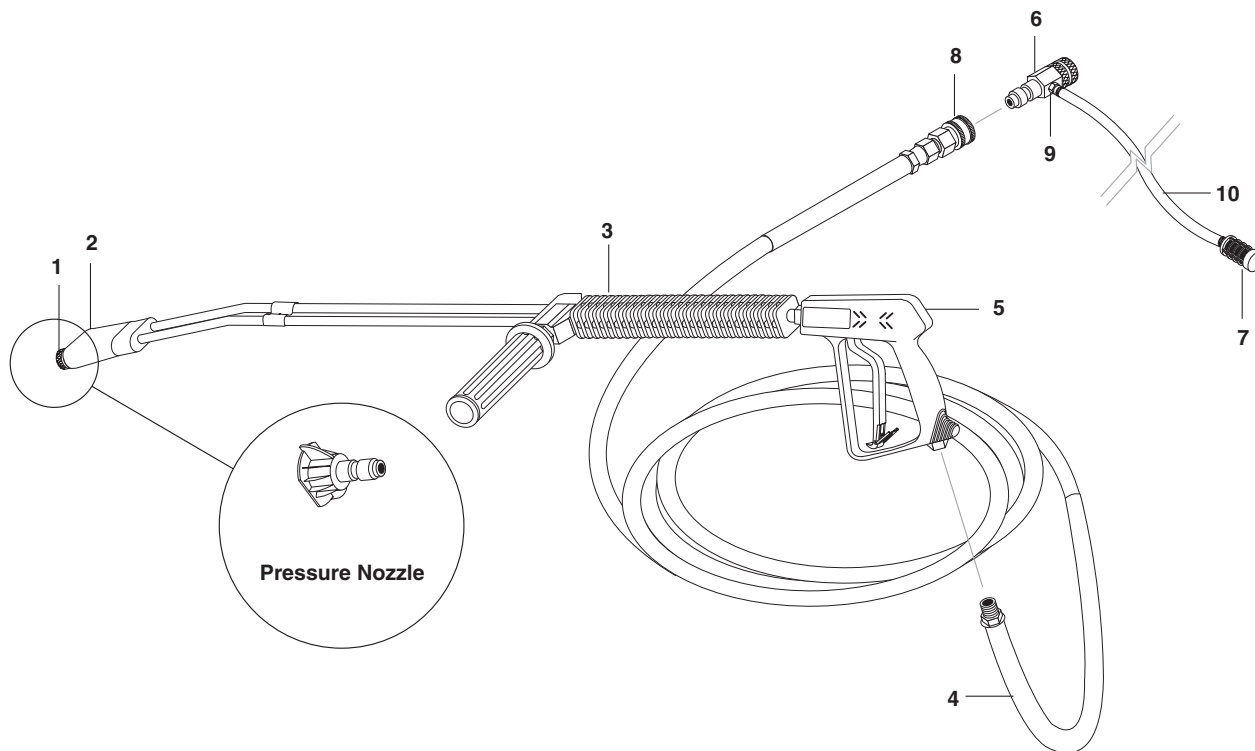
AUTO START/STOP STEAM OPTIONS - 3530, 4020



AUTO START/STOP STEAM OPTIONS - 3530, 4020 PARTS LIST

ITEM	PART NO.	DESCRIPTION	QTY	ITEM	PART NO.	DESCRIPTION	QTY
1	4-02047722	Hose, 3/8" x 22" Pressure Loop	1	12	2-0053	Elbow, 1/2 JIC, 3/8"	1
2	2-10942	Swivel, 1/2 x 3/4 GH w/Strainer	1	13	2-0031	Elbow, 3/8" Street	1
3	2-10421	Tee, 1/2" w/1/8" Hole Street	1	14	2-0074	Adapter, 3/8" x 3/8" Steel	1
4	2-1062	Elbow, 1/2" JIC x 1/2" - 90°	1	15	2-30082	Pump Protector 1/2"	1
5	2-1088	Hose Barb, 1/4 Barb x 1/8" Pipe 90°	1	16	Pump, Please See Specifications Pages		
6	2-1105	Swivel, 1/2" JIC Fem, Push-on 2		17	70-460146	Cap, Valve w/1/4" Ga. Port	1
7	4-02110000	Hose, 1/2" Push-on	16 in	18	2-0004	Nipple, 1/4" Hex Steel	1
8	2-1060	Elbow, 1/2 JIC x 3/8" 90°	1	19	2-30151	Valve, Flow Control w/Metering	1
9	5-3027	Unloader, VB8 w/Switch	1	20	10-99011	Label, Open for Steam	1
10	2-00270	Elbow, 3/8" Male Pipe	1	21	2-1089	Hose Barb, 1/4" Barb x 1/4" Pipe	1
11	6-021730	Switch, Flow	1	22	2-9040	Clamp, Hose	2
				23	4-02100000	Hose, 1/4" Push-on	14 in.

HOSE & SPRAY GUN ASSEMBLY



HOSE & SPRAY GUN ASSEMBLY PARTS LIST

ITEM	PART NO.	DESCRIPTION	QTY	ITEM	PART NO.	DESCRIPTION	QTY
1	2-2001	Coupler, 1/4" Male	1	7	2-1904	Strainer, 1/4" Hose Barb	1
	2-0119	▲ Quick Coupler O-Ring, Small	1		8	2-2002	Coupler, 3/8" Female
2	4-06540	▲ Nozzle Only, 1/8" Soap	1	2-0121		▲ Quick Coupler, O-Ring, Large	1
		3	4-0111341A	Wand, Zinc, VP, w/Coupler	1	9	2-9040
	83-SSVPKIT	▲ Repair Kit, Wand, SS Seat	1	10	4-02080000		Tube, 1/4" x 1/2" Clear Vinyl
4	8.739-148.0	Hose, 3/8" x 50', 1 Wire, Blue Tuff-Flex (HPB)	1		▲ Not Shown		
5	4-01246	Spray Gun, Shut-off, AP-10001					
6	4-011184	Detergent Injector, Non Adjust #3 (3520, 3530, 4020)	1				
	4-011183	Detergent Injector, Non Adjust #2 (2011)	1				

SPECIFICATIONS

PARTS SPECIFICATIONS:

Machine #	PUMP						MOTOR				
	Pump Unloader	Pump Part #	Unloader	Pulley	Pulley Part #	Bushing	Bushing Part #	Motor Size	Voltage	Motor Part #	Pulley
2011	SE2020F	5-1400	5-3329	NA	NA	NA	NA	1.5 HP	120v/1ph/60Hz	5-1046	NA
3520	SE3525F	5-1405	5-3329	NA	NA	NA	NA	5 HP	230v/1ph/60Hz	5-1053	NA
4020	SM-4035	5-1420	9.803-900.0	2AK74H	5-40207401	24 MM	5-512024	6 HP	230v/1ph/60Hz	5-10401	2AK54H
3530	SM-4035	5-1420	9.803-900.0	2BK80H	5-40508001	24 MM	5-512024	7.5 HP	230v/1ph/60Hz	5-1013	2BK52H

SPECIFICATIONS

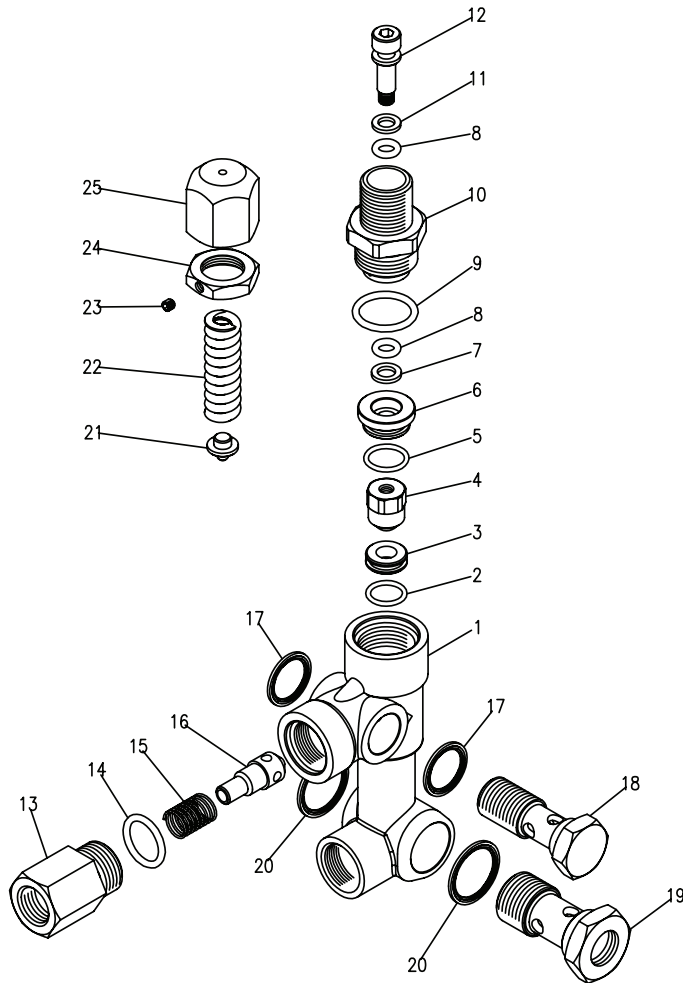
Model (Con't)	MOTOR					CONTROLS				
	Pulley Part #	Bushing Part #	Belt Size	Belt Part #	Motor Contactor	Overload	Stepdown Transformer	Primary FusePart#	SecondPart FusePart#	
2011(HPB)	NA	NA	NA	NA	NA	NA	NA	NA	N/A	
3520(HPB)	NA	NA	NA	NA	NA	NA	6-60101	6-022946	022970	
4020(HPB)	5-40205401	Hx1-1/8"	5-511113AX 34 (2)	5-602034	8.724-281.0	NA	6-60101	6-022946	022970	
3530(HPB)	5-40505201	Hx1-3/8"	5-511138BX 36 (2)	5-604036	8.724-281.0	8.724-306.0	6-60101	6-022946	022970	

SPECIFICATIONS

<u>Model #</u>	<u>Burner Assy #</u>	<u>Fuel Nozzle</u>	<u>Transformer</u>	<u>Burner Motor</u>	<u>Fuel Pump/ Solenoid/Cord</u>	<u>Fuel Solenoid Coil</u>	<u>Electrode</u>
2011 (Mini)	7-00027	7-01244	7-23581	7-21805U	7-21844U	7-21755U	7-578727
3520	7-00090	7-0101	7-514021	7-21174	7-21844U	7-21755U	7-578727
3530	7-00090	7-0101	7-514021	7-21174	7-21844U	7-21755U	7-578727
4020	7-00090	7-0101	7-514021	7-21174	7-21844U	7-21755U	7-578727

VBA35 UNLOADER EXPLODED VIEW

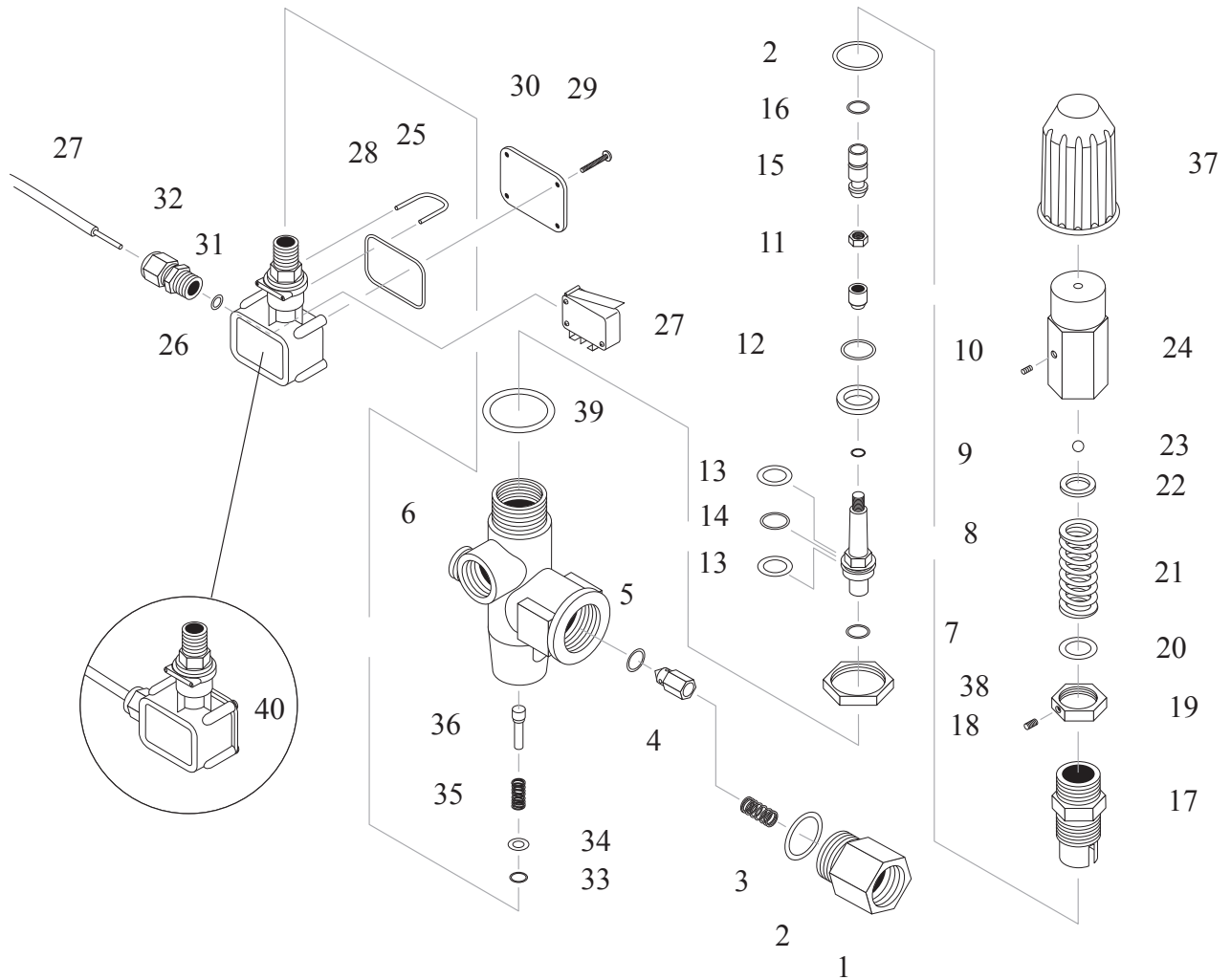
#5-3329 6.6 GPM@3500 PSI
#9.803-900.0



VBA35 UNLOADER EXPLODED VIEW PARTS LIST

ITEM	PART #	DESCRIPTION	KIT	QTY	ITEM	PART #	DESCRIPTION	KIT	QTY
1	70-020444	Body Valve		1	16	70-110207	Poppet	B	1
	70-020452	Body Valve		1	17	70-140802	Seal Washer 3/8		2
2	70-060141	O-Ring	A, C	1	18	70-180004	Hollow Bolt, 3/8		1
3	70-150316	Seat	C	1	19	70-180008	Hollow Bolt 1/2		1
4	70-450401	Ball, Sub-assy	C	1	20	70-140803	Seal Washer 1/2		2
5	70-060114	O-Ring	A	1	21	70-120212	Plate	C	1
6	70-010111	Guide Bushing		1	22	70-090037	Spring	C	1
7	70-000919	Teflon Ring	A	1	23	70-180304	Set Screw		1
8	70-060170	O-Ring	A	2	24	70-030209	Nut		1
9	70-060162	O-Ring	A	1	25	70-090520	Brass Handle		1
10	70-140734	Connector		1					
11	70-000918	Teflon Ring	A	1	Kit A	70-262813	O-Ring Repair Kit		
12	70-120611	Stem	C	1	Kit B	70-262814	Outlet Kit		
13	70-140702	Connector, Female		1	Kit C	70-262815	Stem Repair Kit		
14	70-060119	O-Ring	A, B	1					
15	70-090004	Spring	B	1					

VB8 UNLOADER VALVE EXPLODED VIEW

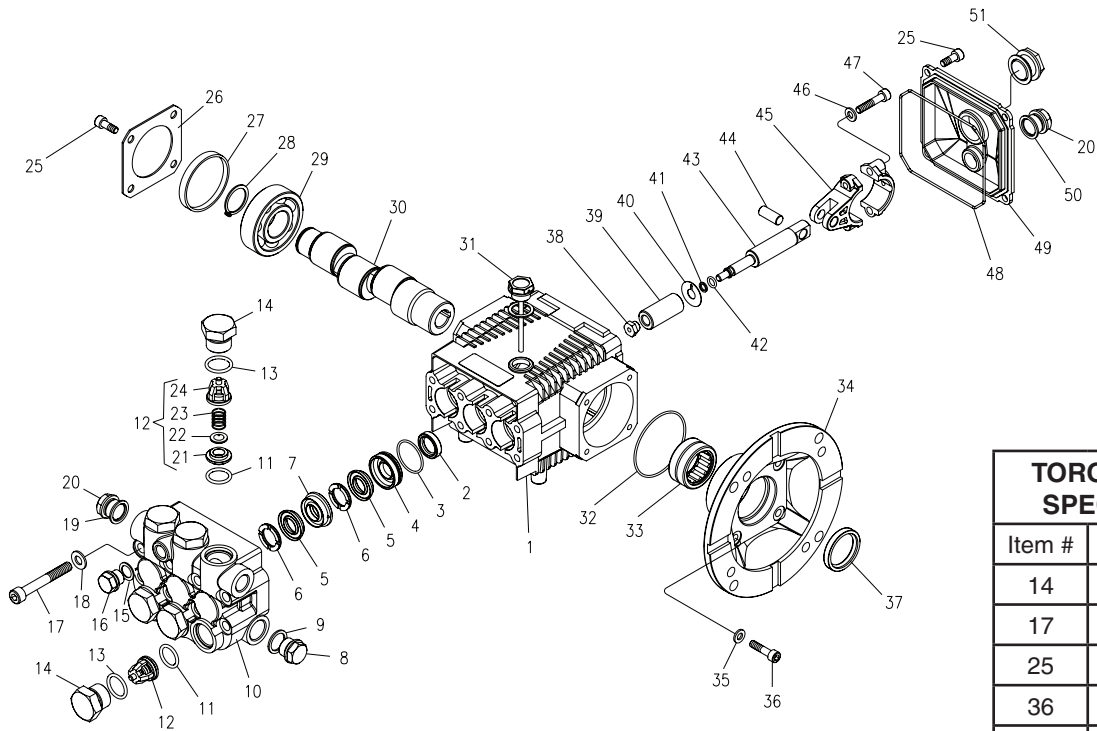


VB8 UNLOADER VALVE EXPLODED VIEW PARTS LIST

ITEM	PART NO.	DESCRIPTION	QTY	ITEM	PART NO.	DESCRIPTION	QTY
1	60.0058.31	3/8 Bsp F Outlet Fitting	1	22	60.1210.31	Upper Frame	1
2	10.3070.02*	O-ring 1.78 x 18.77 mm	2	23	14.7421.00	1/4" Ball	1
3	60.0053.51	Spring	1	24	60.1209.31	Brass Cap	1
4	60.0052.31	Check Valve	1	25	29.0087.51	Sst Clip	1
5	10.3213.00*	O-ring 3 x 6 mm	1	26	29.0089.84	Plastic Housing	1
6	60.1201.35	VB8 Brass Body	1	27	12.5006.00	El.Cable + Micro Switch	1
7	10.3170.08*	O-Ring 2.62 x 7.6 mm	1	28	10.3206.01	O-ring 2.62 x 28.25 mm	1
8	60.1206.31	Piston	1	29	16.3020.00	2.5 x 12 mm screw	2
9	10.3001.01*	O-ring 1 x 4 mm	1	30	29.0088.84	Cover	1
10	10.3066.01*	O-ring 1.78 x 15.6 mm	1	31	10.3169.00	O-ring 2.62 x 6.02 mm	1
11	60.1205.31	M 6 Nut	1	32	29.0082.84	Black Nut-40 Bar	1
12	60.2221.20*	VB8/9 Seat+Shutter	1	33	10.3038.00	O-ring 1.78 x 3.68 mm	1
13	10.4021.00*	Back Ring 11.4 x 15.9 mm	2	34	14.3519.53	Sst Washer 4 x 8 mm	1
14	10.3175.00*	O-ring 2.62 x 10.77 mm	1	35	60.2303.51	Spring	1
15	60.1204.31	Spring Guide	1	36	60.1281.31	PR 5 Pin	1
16	10.3167.01*	O-ring 2.62 x 5.23 mm	1	37	60.1202.84	Plastic Handle (60.1290.00)	1
17	60.1203.31	Piston Housing	1	38	14.3582.00	Washer D. 30 mm (60.1290.00)	1
18	16.2100.00	M 4 x 4 mm Dowel	1	39	60.2254.31	M 30 Nut (60.1290.00)	1
19	60.1704.31	M 22 Nut	1	40	29.0096.24	PR 5 Pl.Housing Kit	1
20	14.3719.00	Washer 9 x 15 mm	1	Kit P/N Description			
21	60.1208.61	3.2 x 33 mm Spring	1	*K1	60.1212.24	VB8 Spare Parts Kit 9x1 pcs	1

SE PUMP EXPLODED VIEW

2020F
3525F



TORQUE SPECS	
Item #	Ft.-lbs
14	65
17	18
25	7.6
36	8
38	7
47	13

SE PUMP EXPLODED VIEW PARTS LIST

ITEM	PART NO.	DESCRIPTION	QTY	ITEM	PART NO.	DESCRIPTION	QTY
1	70-020292	Crankcase	1	16	70-160121	Brass Plug G1/4	1
2*	70-000105	Plunger Oil Seal	3	17	70-180118	Manifold Stud Bolt	8
3*	70-060181	O-Ring Ø 1.78 x 28.30	3	18	70-140001	Washer	8
4*	70-120131	Pressure Ring 15mm	3	19	70-060306	Copper Washer 3/8	1
	70-120132	Pressure Ring 18mm	3	20	70-160117	Brass Plug G3/8	2
5*	70-000207	"V" Seal, dia 15mm	6	25	70-180112	Screw	12
	70-000208	"V" Seal, dia 18mm	6	26	70-020318	Bearing Cover	2
6*	70-030048	Support Ring 15mm	6	27	70-020502	Bearing Seal	1
	70-030050	Support Ring 18mm	6	28	70-150003	Snap Ring	1
7*	70-030049	Intermed Ring 15mm	3	29	70-021300	Ball Bearing	2
	70-030051	intermed Ring 18mm	3	30	70-000600	Crankshaft (2020F)	1
8*	70-160120	Brass Plug G1/2	1		70-000601	Crankshaft (2020S)	1
9	70-060307	Copper Washer 1/2"	1		70-000602	Crankshaft (2825F)	1
10	70-160228	Manifold Housing	1		70-000603	Crankshaft (2825S)	1
11	70-060155	O-Ring Ø1.78 x 15.54	6		70-000604	Crankshaft (3525F)	1
12*	See Kit Below	Valve Assembly	6	31	70-160012	Oil Dipstick	1
13*	70-060122	O-Ring Ø2.62 x 18.77	6	32	70-060183	O-Ring Ø3.53 x 55.56	1
14	70-160147	Valve Plug	6	33	70-020011	Needle Bearing	1
15	70-060308	Copper Washer 1/4	1	34	70-050095	Motor Flange 56C	1

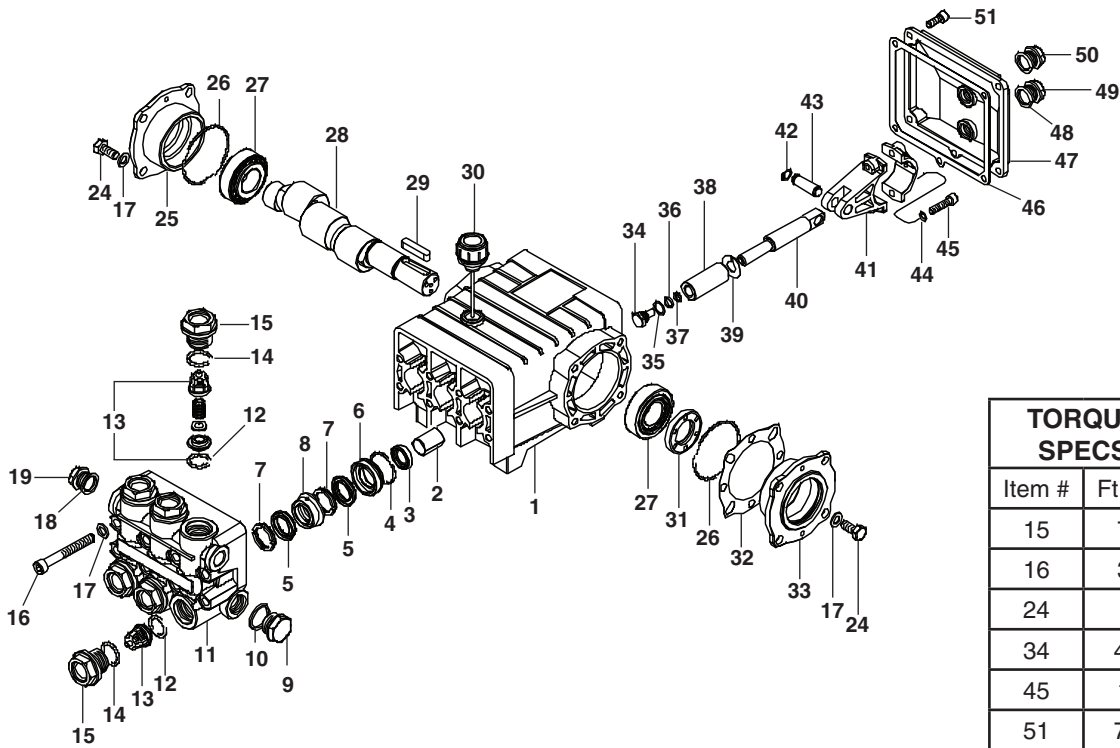
SE PUMP EXPLODED VIEW PARTS LIST (CONT.)

ITEM	PART NO.	DESCRIPTION	QTY
35	70-140002	Washer	4
36	70-180126	Flange Screw	4
37	70-000104	Crankshaft Seal	1
38*	70-030211	Plunger Nut	3
39*	70-120023	Plunger 15mm (2020F, 2825F, 3525F)	3
	70-120022	Plunger 18mm (2020S, 2825S)	3
40*	70-140027	Copper Spacer	3
41*	70-160130	O-Ring Ø1.78 x 5.28	3
42*	70-000913	Teflon Ring	3
43	70-000320	Plunger Rod	3
44	70-1502.04	Connecting Rod Pin	3
45	70-010008	Connecting Rod	3
46	70-140102	Spring Washer	6
47	70-180132	Connecting Rod Screw	6
48	70-060104	O-Ring Ø2.62 x 107.62	1
49	70-020352	Crankcase Cover	1
50	70-060302	Gasket	1
51	70-070005	Sight Glass	1

REPAIR KIT NUMBER	70-261408	70-261410	70-261409	70-261411	70-261404	70-261405	70-260028	70-260826
KIT DESCRIPTION	Plunger Seal 15mm 2020F 2825F 3525F	Plunger Seal 18mm 2020S 2825S	Complete Seal Packing 15mm 2020F 2825F 3525F	Complete Seal Packing 18 mm 2020S 2825S	Plunger 15mm 2020F 2825F 3525F	Plunger 18mm 2020S 2825S	Complete Valve	Plunger Oil Seals
ITEM NUMBERS INCLUDED	3, 5, 6	3, 5, 6	2, 3, 4, 5, 6, 7	3, 4, 5, 6, 7, 8	38, 39, 40, 41, 42	38, 39, 40, 41, 42	11, 12, 13	2
NUMBER OF CYLINDERS KIT WILL SERVICE	3	3	1	1	1	1	6	3

SM PUMP EXPLODED VIEW AND PARTS LIST

4035



TORQUE SPECS	
Item #	Ft.-lbs
15	75
16	30
24	8
34	4.5
45	13
51	7.6

SM PUMP EXPLODED VIEW PARTS LIST

ITEM	PART NO.	DESCRIPTION	QTY	ITEM	PART NO.	DESCRIPTION	QTY
1	70-020209	Crankcase	1	25	70-050051	Closed Bearing Housing	1
2	70-060201	Plunger Guide	3	26	70-060163	O-Ring Ø1.78 x 60.05	2
3*	See Kits Below	Plunger Oil Seal	3	27	70-020003	Tapered Roller Bearing	2
4*	70-060107	O-Ring Ø1.78 x 31,47	3	28	70-000486	Crankshaft (4030,4035/H)	1
5*	See Kits Below	"V" Seal	6	29	70-020604	Crankshaft Key	1
6*	70-120106	Pressure Ring 18mm	3	30	70-160006	Oil Dip Stick	1
7*	70-030007	Support Ring 18mm	6	31	70-000102	Crankshaft Seal	1
8*	70-030011	Intermed. Ring 18mm	3	32	70-030102	Shim	2
9	70-160120	Brass Plug 1/2"	1	33	70-050050	Bearing Housing	1
10	70-060307	Copper Washer 1/2"	1	34*	70-180001	Plunger Bolt	3
11	70-160216	Manifold Head	1	35*	70-140012	Copper Spacer	3
12*	70-060119	O-Ring Ø2.62 x 17.13	6	36*	70-060103	O-Ring Ø1.78 x 7.66	3
13*	See Kits Below	Valve Assembly	6	37*	70-000904	Teflon Ring	3
14*	70-060165	O-Ring Ø2.62 x 20.29	6	38*	See Kits Below	Plunger (4035, 4035H)	3
15	70-160130	Valve Plug	6	39*	70-140015	Copper Spacer	3
16	70-180103	Manifold Stud Bolt	8	40	70-000301	Plunger Rod	3
17	70-140001	Washer	16	41	70-010001	Connecting Rod	3
18	70-060306	Copper Washer 3/8	1	42	70-150001	Snap Ring	6
19	70-160117	Brass Plug 3/8	1	43	70-150201	Connecting Rod Pin	3
24	70-180203	Hexagonal Screw	8	44	70-140102	Spring Washer	6

SM PUMP EXPLODED VIEW PARTS LIST (CONT)

ITEM	PART NO.	DESCRIPTION	QTY
45	70-180105	Connecting Rod Screw	6
46	70-060009	Cover Gasket	1
47	70-020350	Crankcase Cover	1
48	70-060302	Gasket, G3/8	1
49	70-160117	Brass Plug 3/8	1
50	70-070001	Sight Glass G3/8	1
51	70-180112	Cover Screw	5
52	70-000929	▲ Bach Ring 1/2" (4035H)	3

* Available in kit (See below)
 ▲ Not Shown

REPAIR KIT NUMBER	70-261216	70-261210	70-261217	70-260007	70-260027
KIT DESCRIPTION	*Plunger Seal	**Complete Seal Packing	Plunger	Complete Valve	Plunger Oil Seals
ITEM NUMBERS INCLUDED	4, 5, 7	3, 4, 5, 6, 7, 8	34, 35, 36, 37, 38, 39	12, 13, 14	3
NUMBER OF CYLINDERS KIT WILL SERVICE	3	1	1	6	3

* For M 4035H High Heat Packings, Use 70-261212 **For M 4035H High Heat Packings, Use 70-261213