



ELECTRIC LOG SPLITTER

Operation Manual

LS5TELL



WARNING

This product contains lead, a chemical known to the State of California to cause birth defects or other reproductive harm. **Wash your hands after handling this product.**



WARNING

This product contains chemicals known to the State of California to cause cancer and birth defects or other reproductive harm.



TABLE OF CONTENTS

Introduction

- 4 Using the Operator's Manual

Product Identification

- 5 Record Identification Numbers
- 6 Receipt and Inspection

Safety

- 7 Safety Instructions
- 7 Hazard Symbols and Meanings
- 9 Safety Warnings
- 10 General Safety
- 10 Work Area
- 11 Operator Zone
- 12 Maintenance Safety
- 13 Fire Prevention

Electrical Safety

- 14 Extension Cords
- 14 Electrical Connection
- 15 Speed and Wiring
- 15 Grounding Instructions

Overview

- 16 Overview

Assembly

- 17 Assembly

Pre-Operation

- 18 Before using the log splitter
- 19 Log Preperation
- 19 Checking the oil level

TABLE OF CONTENTS



Operation

- 20** Operating Instructions
- 22** Splitting Logs
- 22** Transportation
- 22** Storage

Maintenance

- 24** General Maintenance
- 24** Sharpening the Wedge
- 24** Lubrication
- 24** Replacing Hydraulic Oil

Troubleshooting

- 26** Troubleshooting Chart

Specifications

- 27** Technical Specs

Diagram

- 28** Diagram

Parts List

- 29** Parts List



INTRODUCTION



Attention: Read through the complete manual prior to the initial use of your compressor.

Using the Operator's manual

Thank you for purchasing a BE Log Splitter. Your machine is designed for long life, dependability, and the top performance you demand! Please take time now to read through this manual so you better understand the machine's operation, maintenance and safety precautions.

Everyone who operates this machine must read and understand this manual. The time you take now will prolong your machine's life and prepare you for its safe operation. Enjoy the exceptional performance of your BE Log Splitter, the industry leader!

The manufacturer reserves the right to make improvements in design and/or changes in specifications at any time without incurring any obligation to install them on units previously sold.



Record Identification Numbers

LOG SPLITTER

If you need to contact an Authorized Dealer or Customer Service line (1-866-850-6662) for information on servicing, always provide the product model and identification numbers.

You will need to locate the model and serial number for the machine and record the information in the places provided below.

Date of Purchase:

Dealer Name:

Dealer Phone:

Product Identification Numbers

Model Number:

Serial Number:



Receipt and Inspection

Before signing the delivery receipt, inspect for damage and missing parts. If damage or missing parts are apparent, make the appropriate notation on the delivery receipt, then sign the receipt. Immediately contact the carrier for an inspection. All material must be held in the receiving location for the carrier's inspection. Delivery receipts that have been signed without a notation of damage or missing parts are considered to be delivered "clear." Subsequent claims are then considered to be concealed damage claims. Settle damage claims directly with the transportation company.


If you discover damage after receiving the air compressor (concealed damage), the carrier must be notified within 15 days of receipt and an inspection must be requested by telephone with confirmation in writing. On concealed damage claims, the burden of establishing that the compressor was damaged in transit reverts back to the claimant. Read the compressor nameplate to verify it is the model ordered, and read the motor nameplate to verify it is compatible with your electrical conditions. Make sure electrical enclosures and components are appropriate.

Save these Instructions

SAFETY RULES



This is the safety alert symbol. It is used to alert you to potential personal injury hazards. Obey all safety messages that follow this symbol to avoid possible injury or death.

The safety alert symbol () is used with a signal word (DANGER, CAUTION, WARNING), a pictorial and/or a safety message to alert you to hazards.













DANGER WILL cause DEATH, SEVERE INJURY or substantial property damage.

WARNING CAN cause DEATH, SEVERE INJURY or substantial property damage.













CAUTION WILL or CAN cause MINOR INJURY or property damage.

NOTICE indicates a situation that could result in equipment damage. Follow safety messages to avoid or reduce the risk of injury or death.

Hazard Symbols and Meanings

			
EXPLOSION	FIRE	ELECTRIC SHOCK	TOXIC FUMES
			
KICKBACK	HOT SURFACE	WEAR EYE PROTECTION	SLIPPERY
			
FALL	FLUID INJECTION	MOVING PARTS	READ MANUAL

Some of the following symbols may be used on this tool. Please study them and learn their meaning. Proper interpretation of these symbols will allow you to operate the tool better and safer.

SYMBOL	NAME	EXPLANATION
V	Volts	Voltage
A	Amperes	Current
Hz	Hertz	Frequency (cycles per second)
W	Watt	Power
min	Minutes	Time
~	Alternating Current	Type of current
=	Direct Current	Type/characteristic of a current
no	No Load Speed	Rotational speed, at no load
	Class II Construction	Double-insulated construction
.../min	Per Minute	Revolutions, strokes, surface speed, orbits etc., Per minute
	Wet Conditions Alert	Do not expose to rain or use in damp locations.
	Read The Operator's Manual	To reduce the risk of injury, user must read and understand operator's manual before using this product.
	Eye, Face & Ear Protection	Always wear safety goggles or safety glasses with side shields, earplugs and a face shield when operating this product.
	Safety Alert	Precautions that involve your safety.
	Wear Gloves	Always wear nonslip, heavy-duty protective gloves when operating this product.
	Wear Safety Footwear	Always wear nonslip safety footwear when operating this product.
	Keep Bystanders Away	Always keep bystanders at least 25 ft. (7.5 M) away.
	Keep Hand Away	Always keep hands away from the wedge and the ram.
	Pinch Point	Never touch the cylinder bed, ram, or wedge during machine operation.
	Rotating & Moving Parts Alert	Beware of rotating and moving parts, serious injury could occur.
	Electric Shock Alert	Never touch damaged or exposed wires while the machine is connected to a power source.

 **WARNING**

- Read and thoroughly understand all instructions and safety information before assembling or operating this log splitter. Failure to do so may cause serious injury or death. Do not allow anyone to operate this log splitter who has not read this manual. As with all power equipment, a log splitter can be dangerous if assembled or used improperly. Do not operate this log splitter if you have doubts or questions concerning safe operation.

 **WARNING**

- NEVER use this log splitter for any purpose other than splitting wood. It is designed for this use only. Any other use can cause serious injury or death.
- BEFORE operating this log splitter make sure that you wear safety gear such as goggles or safety glasses, steel toed shoes and tight fitting gloves (without loose cuffs or draw strings). Always wear a protective hearing device when operating this log splitter.
- NEVER wear loose clothing or jewelry that can be caught by moving parts of the log splitter. Keep clothing and hair away from all moving parts when operating this log splitter.
- Make sure that all safety warning decals are in good condition and readable.

 **WARNING**

- To avoid serious personal injury, do not attempt to use this product until you read thoroughly and understand completely the operator's manual. If you do not understand the warnings and instructions in the operator's manual, do not use this product. Call customer service for assistance.

 **WARNING**

- The operation of any power tool can result in foreign objects being thrown into your eyes, which can result in severe eye damage. Before beginning power tool operation, always wear safety goggles or safety glasses with side shields and, when needed, wear a full face shield and earplugs. We recommend a Wide Vision Safety Mask for use over eyeglasses or standard safety glasses with side shields. Always use eye protection which is marked to comply with ANSI Z87.1.

GENERAL SAFETY **WARNING**

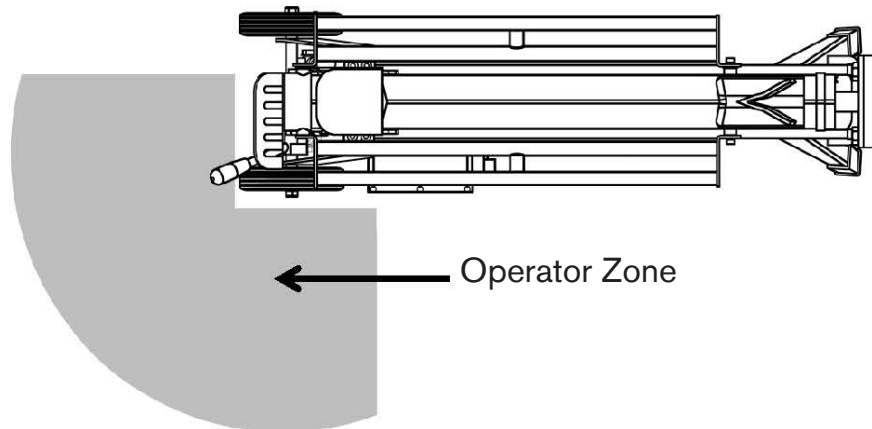
- Failure to follow these instructions may result in serious injury or death.
- **ALWAYS** read the operator's manual before operation.
 - **NEVER** allow children to operate this log splitter. **NEVER** allow adults lacking proper instructions and understanding to operate this log splitter.
 - **KEEP** all people and pets a minimum of 25 feet away from your work area when operating this log splitter. Only the operator is to be near the log splitter during use.
 - **ALWAYS** wear safety glasses.
 - **NEVER** activate the control until all people are clear of the work area.
 - **NEVER** use in an explosive atmosphere.
 - **GUARD** against electrical shock by preventing body contact with grounded surfaces. For example: pipes, radiators, ranges, refrigerator enclosures.
 - **KEEP** guards in place and in good working order.
 - **USE** the proper extension cord. Make sure your extension cord is in good condition.
 - **NEVER** operate the log splitter when under the influence of alcohol, drugs or medication.
 - **NEVER** allow a person who is tired or otherwise not alert to operate the log splitter.
 - **USE** only an electrical circuit having adequate capacity as recommended by the log splitter manufacturer.
 - **"BLOWING"** a fuse or tripping a circuit breaker is usually a warning that you are overloading the machine or have too many devices taking power from the circuit, or both. Do **NOT** install a higher capacity fuse!

WORK AREA **WARNING**

- **NEVER** operate the log splitter on slippery, wet, muddy or icy ground.
- **ONLY** operate your log splitter on level ground. Operating on a slope could cause the log splitter to roll over or logs to fall off.
- **NEVER** attempt to move your log splitter over hilly or uneven terrain.
- **ALWAYS** block the wheels to prevent movement of the log splitter while in operation.
- **NEVER** leave tools or pieces of wood on the tool while it is in operation.
- **ONLY** operate your log splitter in daylight or under good artificial light.
- **ALWAYS** keep the work area clean. Remove split wood around your log splitter immediately so that you don't stumble over it.

OPERATOR ZONE**⚠ WARNING**

- ONLY operate the log splitter from the operator zone as shown in the diagram. The operator has the safest and most efficient access to the control valve and the beam in this location. Failure to operate the log splitter in this position can result in serious injury or death.

**⚠ WARNING**

- KNOW how to stop the log splitter and disengage the controls before operating it.
- NEVER place hands or feet between the log and splitting wedge during forward or reverse stroke. Serious injury or death could result.
- NEVER straddle or step over the log splitter during operation. NEVER reach or bend over the log splitter to pick up a log. NEVER try to split two logs on top of each other.
- NEVER try to cross split a log.
- NEVER attempt to load your log splitter when the ram or wedge is in motion.
- ALWAYS use your hand to operate the control lever on the valve. NEVER use your foot, a rope or any extension device.
- NEVER move the log splitter while the motor is running. Shut off the motor even if you are leaving the log splitter for a short period of time.



MAINTENANCE SAFETY

WARNING

- NEVER operate your log splitter when it is in poor mechanical condition or in need of repair. Periodically check that all nuts, bolts, screws, hydraulic fittings and hose clamps are tight.
- NEVER alter your log splitter in any manner under any circumstances. Such alterations may cause your log splitter to be unsafe and will void the warranty.
- ALWAYS unplug from the power source while repairing or adjusting the splitter.
- Perform all recommended maintenance procedures before using your log splitter. Replace all damaged or worn parts immediately.
- NEVER tamper with the motor to run it at excessive speeds. The maximum motor speed is preset by the manufacturer and is within safety limits.
- ALWAYS check the level of hydraulic oil before operation.
- ALL replacement parts must meet manufacturer's specifications.

HYDRAULIC SAFETY

WARNING

- The hydraulic system of your log splitter requires careful inspection along with the mechanical parts. Be sure to replace frayed, kinked, cracked or otherwise damaged hydraulic hoses or hydraulic components.
- NEVER check for leaks of hydraulic fluid with your hand. Fluid escaping from a small hole can be almost invisible. Escaping fluid under pressure can have sufficient force to penetrate skin causing serious personal injury or even death. Leaks can be detected by passing a piece of cardboard over the suspected leak and looking for discoloration.
- ALWAYS seek professional medical attention immediately if injured by escaping hydraulic fluid. Serious infection or reaction can develop if proper medical treatment is not administered immediately.
- ALWAYS be sure to relieve all pressure by shutting off the motor and moving the control handle back to stop position.
- NEVER remove the vent plug from the hydraulic tank or reservoir while the log splitter is running. The tank could contain hot oil under pressure which could result in serious injury.
- NEVER adjust the hydraulic valve. The pressure relief valve on your log splitter is preset at the factory. Only a qualified service technician should perform this adjustment.

**FIRE PREVENTION****WARNING**

- NEVER operate your log splitter near a flame or spark. Hydraulic oil is flammable and can explode.
- NEVER smoke while operating or refueling your log splitter. Gas fumes can easily explode.
- ALWAYS take a Class B fire extinguisher with you when operating this log splitter in dry areas as a precautionary measure against possible flying sparks.



Electrical Safety

EXTENSION CORDS

Use only 3-wire extension cords that have 3-prong grounding plugs and 3-pole receptacles that accept the tool's plug. When using a power tool at a considerable distance from the power source, use an extension cord heavy enough to carry the current that the tool will draw. An undersized extension cord will cause a drop in line voltage, resulting in a loss of power and causing the motor to overheat. Use the chart provided below to determine the minimum wire size required in an extension cord. Only round jacketed cords listed by Underwriter's Laboratories (UL) should be used.

Amp Rating	0-2.0	2.1-3.4	3.5-5.0	5.1-7.0	7.1-12.0	12.1-16.0
Cord Length	Wire Size (A.W.G.)					
25'	16	16	16	16	14	14
50'	16	16	16	14	14	12
100'	16	16	14	12	10	-

When working with the tool outdoors, use an extension cord that is designed for outside use. This is indicated by the letters "WA" on the cord's jacket.

Before using an extension cord, inspect it for loose or exposed wires and cut or worn insulation.

WARNING

- Keep the extension cord clear of the working area. Position the cord so that it will not get caught on lumber, tools or other obstructions while you are working with a power tool. Failure to do so can result in serious personal injury.

WARNING

- Check extension cords before each use. If damaged replace immediately. Never use tool with a damaged cord since touching the damaged area could cause electrical shock resulting in serious injury.

ELECTRICAL CONNECTION

This tool is powered by a precision built electric motor. It should be connected to a power supply that is 115 volts, 60 Hz, AC only (normal household current). Do not operate this tool on direct current (DC). A substantial voltage drop will cause a loss of power and the motor will overheat. If the product does not operate when plugged into an outlet, double check the power supply.

SPEED AND WIRING

The speed is not constant and decreases under a load or with lower voltage. For voltage, the wiring in a shop is as important as the motor's horsepower rating. A line intended only for lights cannot properly carry a power tool motor. Wire that is heavy enough for a short distance will be too light for a greater distance. A line that can support one power tool may not be able to support two or three tools.

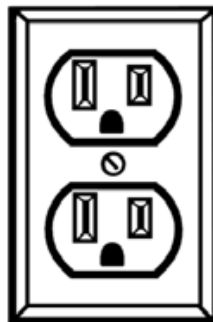
GROUNDING INSTRUCTIONS

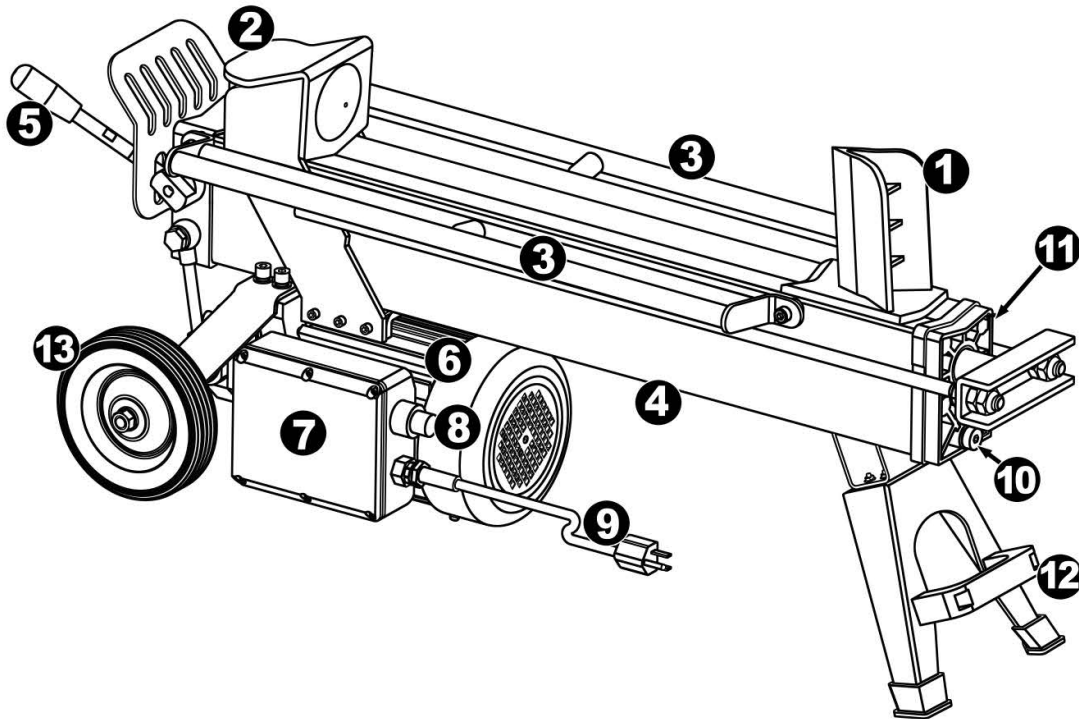
In the event of a malfunction or breakdown, grounding provides a path of least resistance for electric current to reduce the risk of electric shock. This tool is equipped with an electric cord having an equipment-grounding conductor and a grounding plug. The plug must be plugged into a matching outlet that is properly installed and grounded in accordance with all local codes and ordinances.

Do not modify the plug provided. If it will not fit the outlet, have the proper outlet installed by a qualified electrician. Improper connection of the equipment-grounding conductor can result in a risk of electric shock. The conductor with insulation having an outer surface that is green with or with-out yellow stripes is the equipment-grounding conductor. If repair or replacement of the electric cord or plug is necessary, do not connect the equipment-grounding conductor to a live terminal.

Check with a qualified electrician or service personnel if the grounding instructions are not completely understood, or if in doubt as to whether the tool is properly grounded.

Repair or replace a damaged or worn cord immediately. This tool is intended for use on a circuit that has an outlet like the one shown below. Ensure that the outlet has a grounding pin.



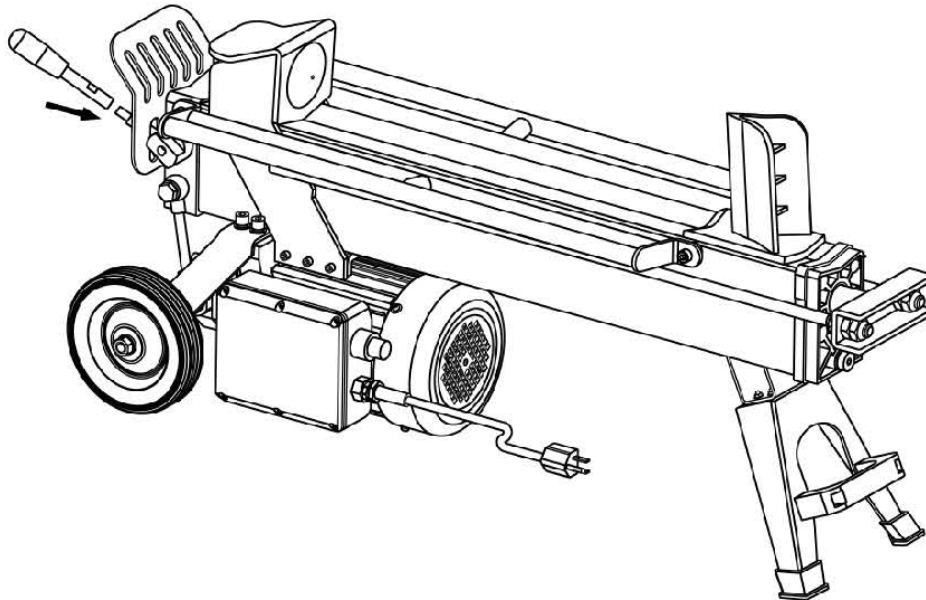
Overview

1. End wedge
2. Sliding ram
3. Support legs, log holder
4. Machine body / Oil reservoir
5. Control handle
6. 115v motor
7. Motor control box
8. On/Off switch
9. Electrical cable with plug
10. Oil drain bolt with dipstick
11. Vent plug
12. Towing handle
13. Wheel

Assembly

This product has been shipped pre-assembled.

- Carefully remove the log splitter and all accessories from the box. Make sure that all items listed in the packing list are included.
- Inspect the tool carefully to make sure no breakage or damage occurred during shipping.
- Do not discard packing materials until you have carefully inspected and satisfactorily operated the tool.
- Screw the control handle lever into handle bracket before operation.



⚠ WARNING

- If any parts are damaged or missing, do not operate this tool until the missing parts are replaced. Failure to do so could result in possible serious personal injury.
- Do not attempt to modify this tool or create accessories not recommended for use with this tool. Any such alteration or modification is misuse and could result in a hazardous condition leading to possible serious personal injury.
- Do not connect to power supply until assembly is complete. Failure to comply could result in accidental starting and possible serious personal injury.



Pre-Operation

 **WARNING**

- Do not allow familiarity with tools to make you care- less. Remember that a careless fraction of a second is sufficient to inflict serious injury.
- Always wear safety goggles or safety glasses with side shields when operating this tool. Failure to do so could result in objects being thrown into your eyes resulting in possible serious injury.
- Do not use any attachments or accessories not recommended by the manufacturer of this tool. The use of attachments or accessories not recommended can result in serious personal injury.

BEFORE USING THE LOG SPLITTER

- Always block the wheels to prevent movement of the log splitter while in operation.
- Clear the work area.
- Check that all nuts, bolts and hydraulic fittings are tight to be sure the equipment is in a safe working condition.
- Make sure your outlet type, voltage, and frequency match the data stated on the serial number label (or “Technical Specifications” in this manual).
- Check that the switch, power cable and plug are not damaged (no cracks, etc.) to prevent the risk of electric shock or a short circuit.
- Wear non-slip safety shoes, safety goggles, safety gloves, protective hair covering and suitable work clothing. Never wear jewelry, necktie and other loose clothing.

Loosen the hydraulic vent plug to release any trapped air that may have accumulated during shipping. Operate the log splitter for several cycles to repel the air. Do not move the splitter while the vent plug is loosened as the hydraulic fluid could spill out. Air must flow in and out of the oil tank during operation to prevent the seals in the hydraulic system from rupturing. Refer to the oil tag for further details.

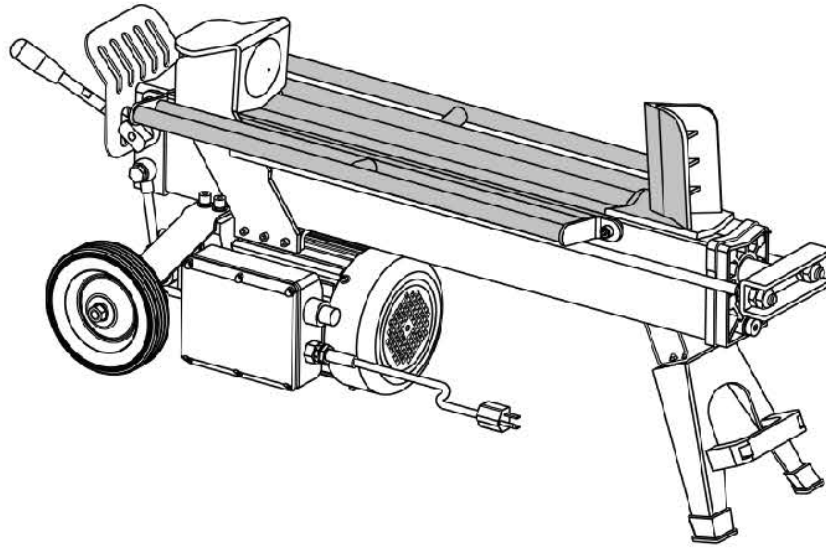
- Failure to loosen the hydraulic vent prior to operation of this product may cause abnormal splitting or the seals in the hydraulic system to blow out. Blown seals could cause permanent damage to the log splitter.

LOG PREPARATION

Logs should be cut with square ends. Never split logs larger than 10 in. diameter or 20-1/2 in. long. Uneven logs (e.g. knotted, curved, etc.) should not be used.

Oil the wedge and upper side of the machine body. This will allow the log to move smoothly on the surface.

Always check the oil level before you start the log splitter.



CHECKING THE OIL LEVEL

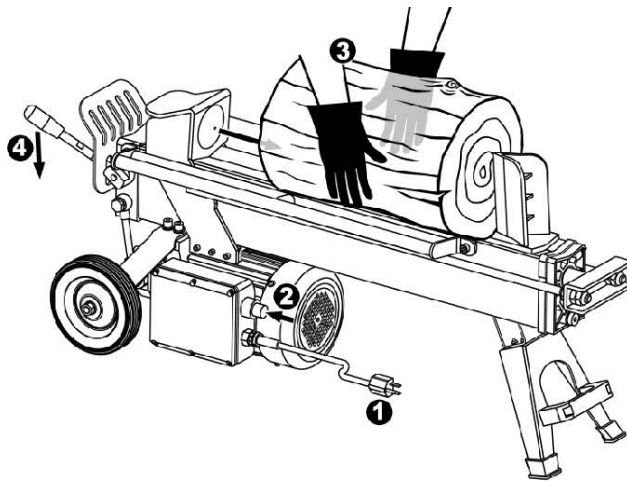
- Unplug the log splitter, and screw off the control handle lever
- Using the lift handle, stand the log splitter on the wheels end, with a block under position shield. Do not stand on the control handle, which will damage the valve core.
- Using a 6mm hex key, remove the oil drain bolt.
- Wipe the dipstick clean then reinsert it back into the oil tank.
- Remove the dipstick and check to see if the oil level is between the first and second groove on the dipstick.
- If there is not enough oil in the oil tank, add oil until the proper level is reached.
- If there is the proper amount of oil in the oil tank, wipe the dipstick clean then replace it in the oil tank and tighten the oil drain bolt securely.

▪ See "Replacing Hydraulic Oil" in the Maintenance section for recommended oil type.

Operation

OPERATING INSTRUCTIONS

1. Plug the unit into a 3 prong outlet.
2. Press the power button to turn the log splitter on.
3. Place the log firmly against one of the wedges.
4. Move control handle down to split the log. Release the handle to retract the ram automatically and begin loading the next log.
5. When the machine is no longer in use, switch it off and unplug the power cable.



- a) Ensure that the horizontal distance between the splitter and outlet is more than 5 feet.
- b) Load each log by grasping the rounded sides of the log only.
- c) Only allow responsible adults who have read and understand the manual to operate this machine.
- d) Be familiar with all controls and proper operation. Know how to stop the machine quickly in the event of an emergency.
- e) Do not operate the machine while under the influence of alcohol, drugs or medication.
- f) Only a single operator is allowed to load and operate this log splitter. Keep bystanders, helpers, pets and children a sufficient distance, at least 25 feet from the machine.
- g) Only use your hands to operate the control handle and the switch. Arms, feet, knees, rope, heavy objects and extension device are not allowed.
- h) Never put any part of your body between the extending ram and the wedge.
- i) Don't step over the log splitter when the motor is running.
- j) Always split log along its grain. If it is cut against the grain, there is potential for the wood to burst or fly out resulting in injury.



- k) Don't force the tool. It is already designed to operate at its maximum speed and tonnage. If you experienced problems splitting especially hard wood, do not continue to push on the control handle for more than 3 seconds. Release the control handle at once to avoid damage. If the motor stops, turn off the motor and then turn it back on again to continue operation.
- l) If the log is clipped or jammed on the wedge, release the control handle and unplug the power cable immediately. Gently knock off the log with a hammer or mallet (not with your hands).
- m) Never attempt to split more than one log at a time unless the ram has fully extended and a second log is needed to complete the separation of the first log. Never attempt to split one log on top of another.
- n) Regularly clear the split wood to keep the work area clear of debris.
- o) Periodically check that all nuts, bolts, screws, hydraulic fittings and hose clamps are tightened.
- p) Never operate your splitter on wet, muddy or icy surfaces. Safe footing is essential in preventing accidents.
- q) Never leave the machine unattended while the motor is running.
- r) Never use this machine in a damp or rainy environment.
- s) Only operate the log splitter when there is sufficient lighting.
- t) Never tamper with the motor to run it at excessive speeds. The maximum motor speed is preset by the manufacturer and is within safety limits.
- u) Switch off and unplug the power cable if the machine malfunctions. For example: if the machine makes loud noises and the ram is running erratically, there is a strong possibility that there is excessive air in the hydraulic lines or there is a shortage of hydraulic oil in the tank (refer to the Troubleshooting section for the solution).
- v) Do not pull on the power supply cable to unplug the machine.



SPLITTING LOGS

Always place logs lengthwise on the work table and resting firmly on the side supports with one end against the wedge. Place logs flat and in the direction of the grain. Never angle the log to split it or place the log crosswise on the splitter. Never split more than one log at a time.

- Place log lengthwise and lying flat on the work table.
- Both ends of the log should be cut as square as possible to help prevent the log from riding out of the splitter during operation.
- Do not split logs greater than 20.5 inches in length.

- If the log is small, place it against the wedge before starting the splitter.



WARNING

- Never keep pressure on the wood by trying to force the log splitter for more than three seconds. After five seconds, the oil will heat up and could damage the tool.

TRANSPORTATION

- This machine can fit in most vehicles for transportation.
- Ensure that the splitter is properly secured before the vehicle is in motion.
- Ensure vent plug is tightened, and that all hydraulic fittings are tight to avoid leaking oil.

- a) Never move this machine while the motor is running.
- b) Be extra cautious when moving this machine on rugged and rough terrain.
- c) Store the machine upright so and ensure that it cannot be tipped over during transport.
- d) Never allow anyone to ride on the machine while transporting.



STORAGE

- a) Store this unit switched off and unplugged.
- b) Allow machine to cool 5 minutes after every use before storing.
- c) Protect power supply cable from heat, sunshine, aggressive liquids and sharp edges.
- d) Store unit in a clean, dry area. Do not store in unprotected areas outdoors. Never place near corrosive materials or in a damp environment.
- e) Do not allow children near the splitter.

Maintenance

 **WARNING**

- When servicing, use only identical replacement parts. Use of any other parts may create a hazard or cause product damage.
- Only the parts shown on the parts list are intended to be repaired or replaced by the customer. All other parts should be replaced at an Authorized Service Center.

GENERAL MAINTENANCE

Avoid using solvents when cleaning plastic parts. Most plastics are susceptible to damage from various types of commercial solvents and may be damaged by their use. Use clean wipes to remove dirt, dust, lubricant, grease, etc.

 **WARNING**

- Do not at any time let brake fluids, gasoline, petroleum- based products, penetrating lubricants, etc., come in contact with plastic parts. Chemicals can damage, weaken or destroy plastic which may result in serious personal injury.

SHARPENING THE WEDGE

After using the log splitter for some time, it may be necessary to sharpen the wedge. Using a fine-toothed file, smooth any burrs or crushed areas along the cutting edge.

LUBRICATION

All of the bearings in this tool are lubricated with a sufficient amount of high grade lubricant for the life of the unit under normal operating conditions. Therefore, no further lubrication is required on the bearings.

REPLACING HYDRAULIC OIL

The hydraulic oil in the log splitter should be changed every 100 hours of use.

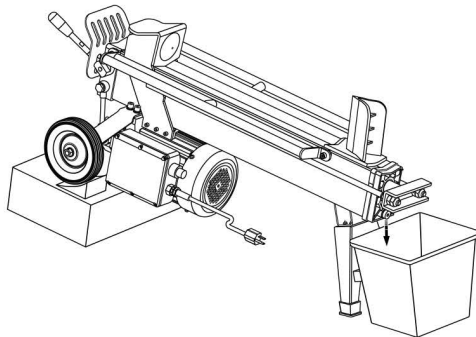
- Unplug the log splitter.
- Position the log splitter so that the oil drain bolt is positioned lower than the opposite side of the machine. Ensure that the log splitter is tilted to an angle of at least 30 degrees. The log splitter should be placed securely.
- Using a 6mm hex key, remove the oil drain bolt and disconnect the vent plug.
- Drain the hydraulic oil from the oil tank into a container of no less than four liter capacity.
- Once the oil has drained from the oil tank, turn the log splitter on the end with the wheels.

- Refill the oil tank with fresh hydraulic oil (3.8 liters or 4 quarts).
- Place the cleaned dipstick into the oil tank. Remove and check the oil level.
- Level down the log splitter, start the motor and cycle the ram several times to remove excess air from the reservoir.

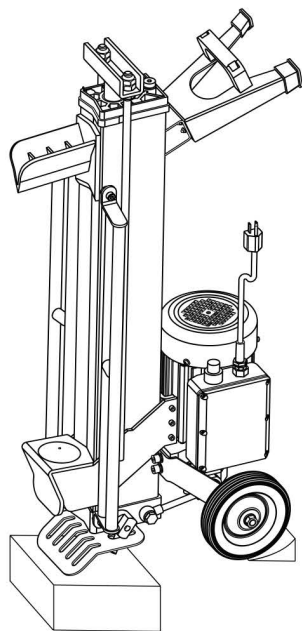
The oil level should be between the two grooves around the bottom of the dipstick.

- Use AW32 hydraulic fluid.
- Replace oil drain bolt. Tighten securely.
- Dispose old oil at an oil recycling center.
- Refer to the oil tag for additional details.

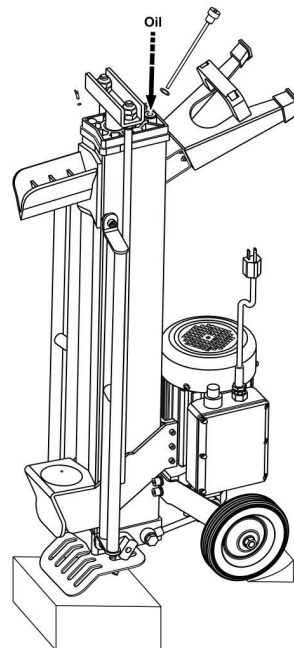
DRAIN OIL FROM RESERVOIR



NOTE ACCEPTABLE OIL FILL LEVEL



PLACE LOG SPLITTER IN VERTICAL POSITION



REFILL OIL TO DESIRED LEVEL



Troubleshooting

TROUBLESHOOTING CHART

PROBLEM	POSSIBLE CAUSE	SOLUTION
Motor fails to start.	<ul style="list-style-type: none">▪ Overload Protection Device is disengaged to protect the log splitter from being damaged.	<ul style="list-style-type: none">▪ Switch off the motor and unplug the power cable. Let motor cool down for half an hour and restart. If this does not solve the problem, call your dealer for customer support.
The log splitter won't split logs.	<ul style="list-style-type: none">▪ Log is improperly positioned.▪ The size or hardness of the log exceeds the machine's capacity.▪ Wedge cutting edge is blunt.▪ Insufficient hydraulic oil.▪ Unauthorized adjustment was made on the Maximum Pressure Limiting Screw. Lower maximum pressure rating was set.	<ul style="list-style-type: none">▪ Refer to Operation section for log loading.▪ Reduce the log size before splitting▪ Refer to "Sharpening The Wedge" in the Maintenance section.▪ Locate leak(s). Contact the dealer.▪ Contact the dealer.
Log ram jerks, vibrates or does not move.	<ul style="list-style-type: none">▪ Unit is not placed on level ground.▪ Lack of hydraulic oil▪ Excessive air in the hydraulic system.▪ Log splitter is over forced.	<ul style="list-style-type: none">▪ Reposition the log splitter to ensure that the wheel end of the unit is no higher than the other end.▪ Check oil level for possible oil refilling.▪ Ensure vent plug is loose during operation▪ Turn off and restart the unit.▪ Contact the dealer.
Oil leaks from the hydraulic system or from other points.	<ul style="list-style-type: none">▪ Air is sealed in hydraulic system while operating.▪ Vent plug is not tightened before moving the log splitter.▪ Oil drain bolt is not tight.▪ Hydraulic fitting(s) and/or seal(s) are worn.	<ul style="list-style-type: none">▪ Loosen vent plug before operating the log splitter.▪ Tighten the vent plug before moving the log splitter.▪ Tighten the oil drain bolt.▪ Contact the dealer.

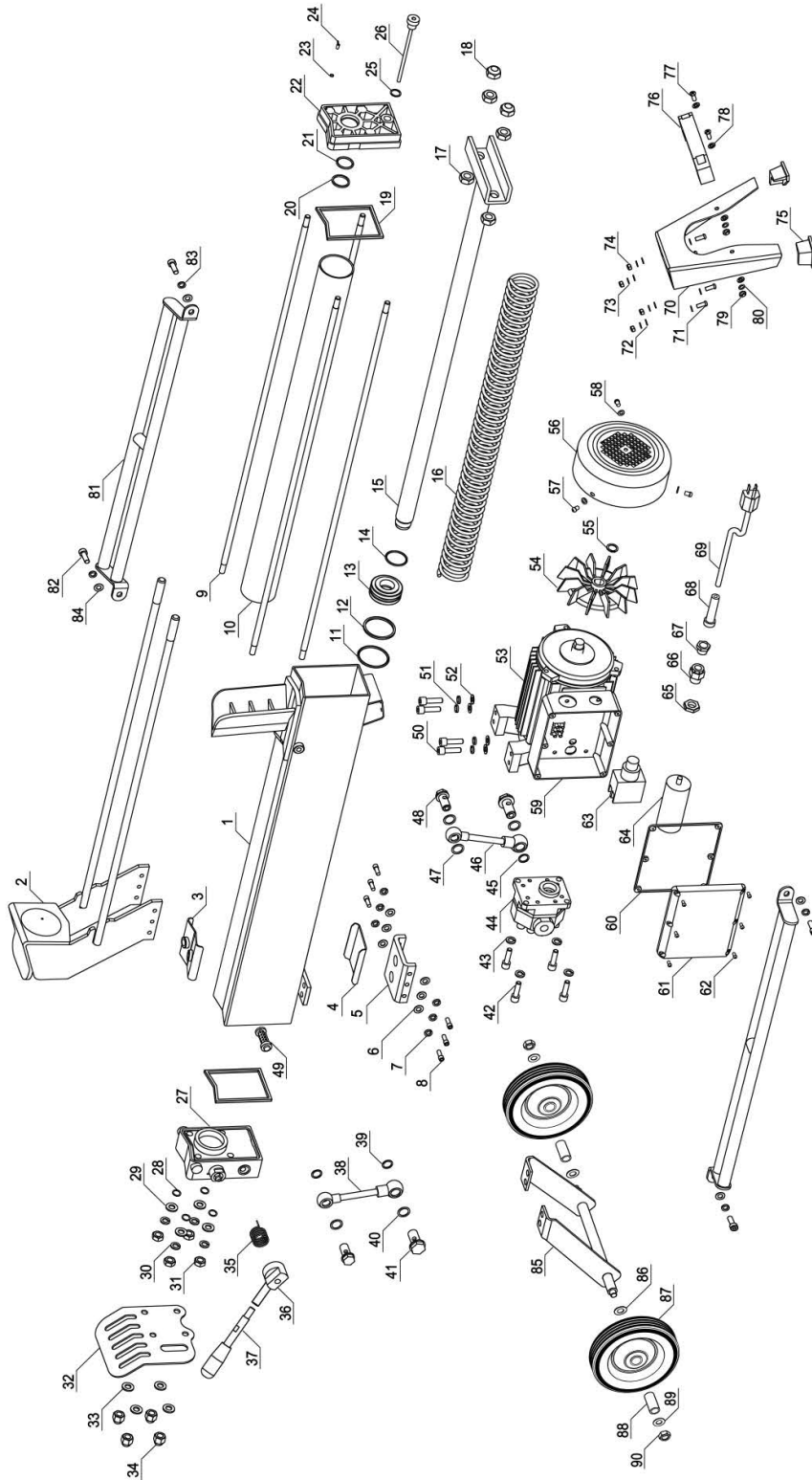


Specifications

TECHNICAL SPECS

Electrical requirements	115V, 60Hz	
Power output	1300W	
Rated current	12A	
Motor speed	3400 RPM	
Power cable	SJTW 14 AWG (2.08mm ²)	
Max splitting force	5 Ton	
Max splitting length	20.5 in	
Max splitting diameter	10 in	
Hydraulic pressure	2700 PSI	
Cylinder bore	2.2 in	
Cycle time	Feed	9 sec
	Retract	5 sec
Max cylinder stroke	17 in	
Oil capacity	3.8 L	
Machine dimensions (L×W×H) (in)	38 x 11 x19	
Machine net weight	104 lbs	

Diagram





Parts List

REF #	PART #	PART NAME	SPECIFICATIONS	QTY PER SECTION
1	310-325	Machine Body w/ End Wedge		1
2	530-101	Ram Cap & Shaft		1
3	530-475	Upper Nylon Cushion		1
4	530-898	Lower Nylon Cushion		1
5	530-616	Base Plate of Ram		1
6	750-160	Flat Washer	M8*1	6
7	750-075	Spring Washer	M8*2.3	6
8	710-084	Inner Hex Bolt	M8*15	6
9	710-685	Double-Screw Bolt	M10*813	4
10	530-322	Cylinder Tube	Ø55*743	1
11	730-847	O Seal Ring	Ø55*3.1	1
12	730-446	Seal Cover		1
13	530-624	Piston Head		1
14	730-924	O Seal Ring	Ø50*3.5	1
15	530-434	Piston Shaft w/ Connecting Plate		1
16	530-580	Retracting Spring		1
17	720-156	Nut	M14	4
18	720-884	Lock Nut	M14	2
19	730-772	Paper Seal Ring		2
20	730-186	O Seal Ring	Ø30*2.65	1
21	730-139	Dirt Proof Ring		1
22	540-853	Front Reservoir Cover		1
23	730-094	O Seal Ring	Ø6*1	1
24	540-537	Vent Plug	M4*10	1
25	750-158	Copper Seal Washer	M14*1	1
26	540-333	Oil Dipstick w/ Oil Drain Bolt		1
27	520-974	Hydraulic Valve		1
28	730-198	O Seal Ring	Ø14*2.4	4
29	750-520	Flat Washer	M10*1	4
30	750-371	Spring Washer	M10*2	4
31	720-465	Nut	M10	4
32	350-233	Position Shield		1
33	750-525	Flat Washer	M10*2	4
34	720-678	Snap Head Nut	M10	4
35	520-596	Torsion Spring		1
36	520-293	Control Handle Bracket		1
37	520-401	Control Handle Lever w/ Grip	Ø12.5*134	1
38	560-587	Oil Tube	Ø14 - Ø10*100*1	1
39	730-624	O Seal Ring	Ø18*1.9	2
40	750-158	Copper Seal Washer	M14*1	2
41	710-896	Oil Tube Screw	M14*30	2
42	710-895	Inner Hex Head Bolt	M8*20	4
43	750-160	Flat Washer	M8*1	4
44	550-203	Hydraulic Pump		1
45	730-624	O Seal Ring	Ø18*1.9	1
46	560-587	Oil Tube	Ø14 - Ø10*100*1	1
47	750-158	Copper Seal Washer	M14*1	3



PARTS LIST

Parts List

REF #	PART #	PART NAME	SPECIFICATIONS	QTY PER SECTION
48	710-896	Oil Tube Screw	M14*30	2
49	540-311	Oil Filter		1
50	710-541	Inner Hex Head Bolt	M8*35	4
51	750-075	Spring Washer	M8*2.3	4
52	750-160	Flat Washer	M8*1	4
53	910-234	Electric Motor		
54	910-194	Fan		1
55	760-548	Circlip for Shaft	Ø16	1
56	910-154	Fan Cover	Ø162	1
57	750-270	Flat Washer	M4*1	3
58	740-477	Cross Recess Pan Head Screw	M4*10	3
59	920-011	Connecting Box (Bottom)		1
60	920-506	Connecting Box (Rubber Ring)		1
61	920-853	Connecting Box (Cover)		1
62	740-603	Cross Recess Pan Head Screw	M4*10	6
63	920-943	Power Switch		1
64	920-980	Capacitor	60uf	1
65	930-154	Cable Fastener Nut		1
66	930-807	Cable Fastener		1
67	930-233	Cable Fastener Bolt		1
68	930-511	Cable Bushing		1
69	930-182	Power Cable	STJW 3/C 14AWG, Ø2.08*1600	1
70	320-815	Front Leg		1
71	740-313	Cross Recess Pan Head Screw	M6*15	4
72	750-273	Flat Washer	M6*1	8
73	750-823	Spring Washer	M6*1.8	4
74	720-322	Nut	M6	4
75	320-825	Bumper		2
76	320-511	Towing Handle		1
77	740-324	Cross Recess Pan Head Screw	M6*25	2
78	750-273	Flat Washer	M6*1	4
79	720-322	Nut	M6	2
80	750-823	Spring Washer	M6*1.8	2
81	320-935	Log Holder		2
82	710-023	Inner Hex Head Bolt	M8*16	2
83	750-075	Spring Washer	M8*2.3	4
84	750-160	Flat Washer	M8*1	4
85	340-096	Wheel Frame		1
86	750-146	Flat Washer	M13*2	2
87	330-436	Wheel	6*1.5'	2
88	340-138	Bearing spacer	Ø 16*31.5*1.2	2
89	750-525	Flat Washer	M10*2	2
90	720-120	Lock Nut	M10	2





**If you need assistance with the assembly
or operation of your Log Splitter please call**

1-866-850-6662