

PARTS MANUAL



MODEL LT6K5 50 HZ LIGHT TOWER/GENERATOR (KOHLER KDW 1003 DIESEL ENGINE)

Revision #0 (07/09/15)

THIS MANUAL MUST ACCOMPANY THE EQUIPMENT AT ALL TIMES.

34911

SUGGESTED SPARE PARTS

LT6K5 50HZ LIGHT TOWER

1 to 3 units

Qty.	P/N	Description
2	MVR1000BT37	BULB, LIGHT FIXTURE
1	190ZQREF	REF 1000 LENS
1	200ZG106	GASKET, U-CHANL REFLEC
1	12009	FILTER, IN-TANK (FUEL)
1	29694	CAP, FUEL W/LANYARD
1	59018	EXCITATIONCAPACITOR50HZ
1	005-1475-MF	CAPACITOR, 30mF @ 440V
1	29798	BALLAST/TRANSFORMER ASSY
2	34098	CIRCUIT BREAKER, 15A
1	34846	BREAKER, GFCI, 50HZ
1	34096	CIRCUIT BREAKER, 30A
1	34093	JACK, 2000#, 10" TOP WIND
1	34101	COVER, ACCESS PANEL
1	34378	GASKET, ACCESS PANEL
1	16185	FITTING, PLUG
1	59010	HANDLE, WINCH

KOHLER KDW1003 DIESEL ENGINE

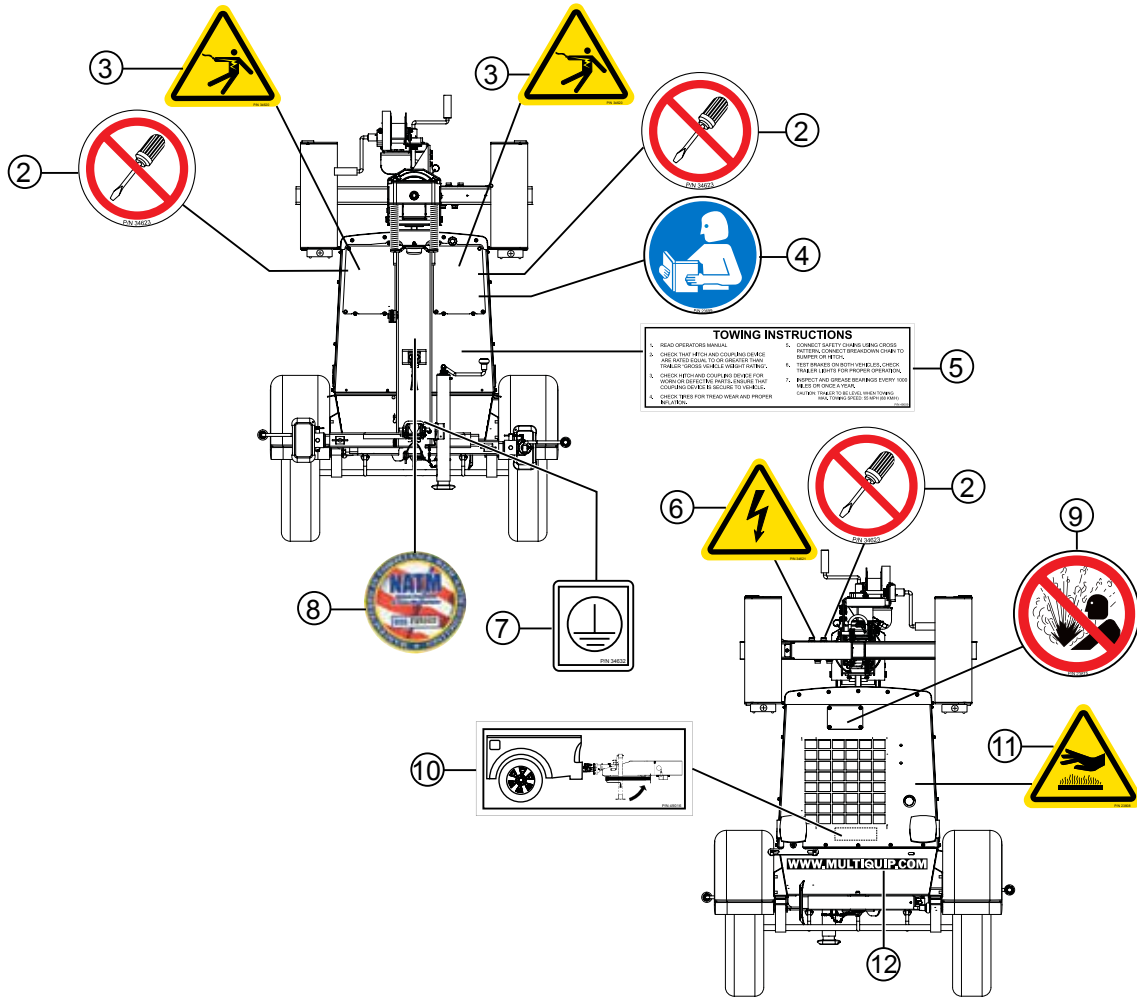
1 to 3 units

Qty.	P/N	Description
3	ED0021752880S	FUEL FILTER
3	ED0021752830S	OIL FILTER
3	ED0021751640S	CARTRIDGE, AIR FILTER
1	ED0024403200S	FAN BELT
1	ED0067450560S	OIL PRESSURE SWITCH
2	ED34001S	KEY, IGNITION, DBL SIDED

NOTICE

Part numbers on this Suggested Spare Parts list may supersede/replace the part numbers shown in the following parts lists.

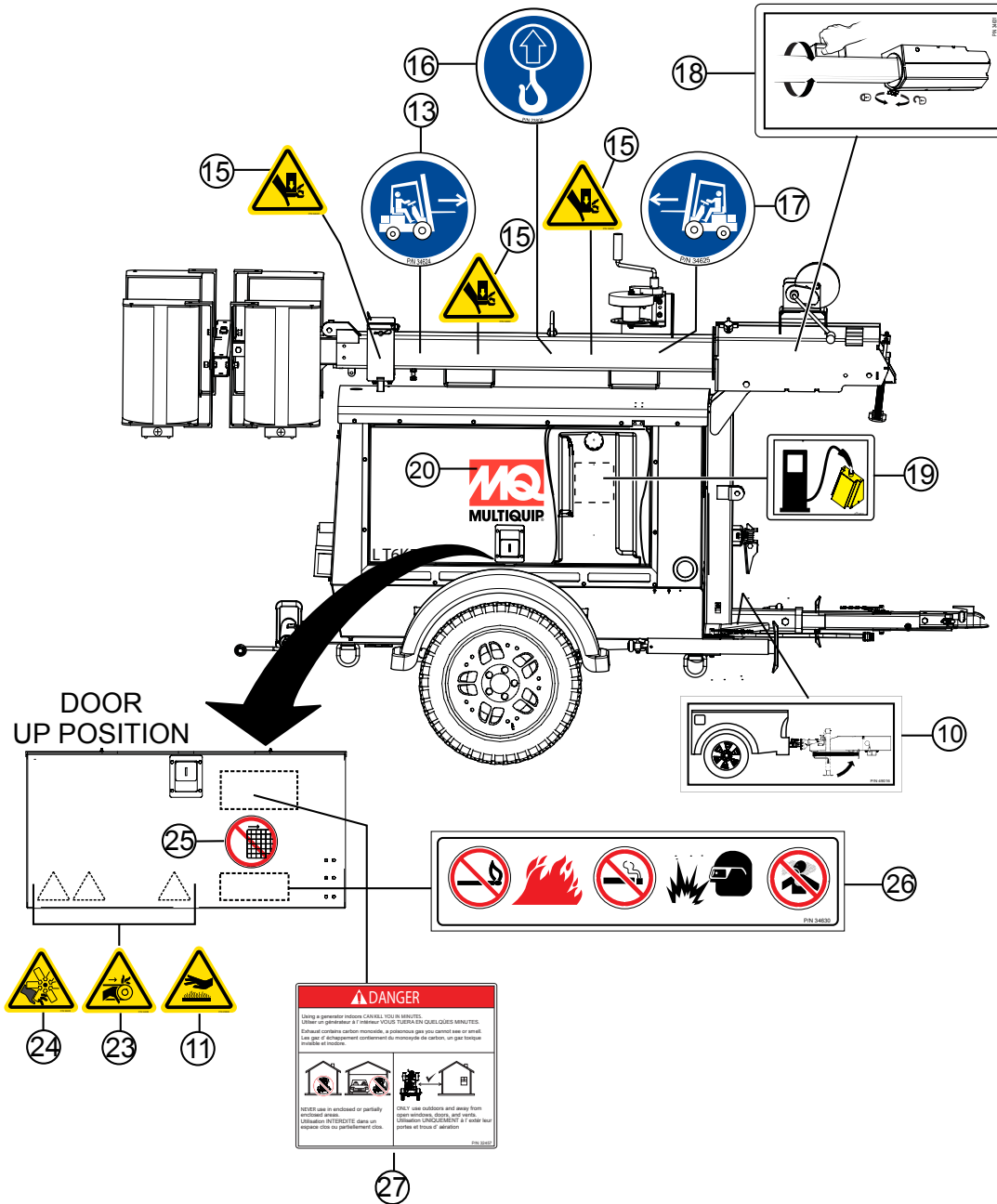
NAMEPLATE AND DECALS



NAMEPLATE AND DECALS

<u>NO.</u>	<u>PART NO.</u>	<u>PART NAME</u>	<u>QTY.</u>	<u>REMARKS</u>
2	34623	DECAL ISO: DO NOT DISASSEMBLE HAZARD, 2.00" DIA.	3	
3	34620	DECAL ISO: ELECTROCUTION HAZARD, 2.4" X 2.0"	2	
4	23699	DECAL ISO: READ MANUAL, 2.00" DIA.	1	
5	49009	DECAL: TOWING INSTRUCTIONS, 7.75" X 2.5	1	
6	34621	DECAL ISO: HIGH VOLTAGE HAZARD, 2.4" X 2.0"	1	
7	34632	DECAL ISO: GROUND 1.00" X 1.00"	1	
8	EE56342	DECAL: NATM, 2.75" DIA.	1	
9	23875	DECAL ISO: HOT COOLANT HAZARD, 2.00" DIA.	1	
10	49016	DECAL: HORIZONTAL JACK STANDS 4.10" X 1.80"	3	
11	23808	DECAL ISO: HOT SURFACE HAZARD 2.4" X 2.00"	2	
12	34808	DECAL: MQ WEBSITE 18.00" X 1.20"	1	

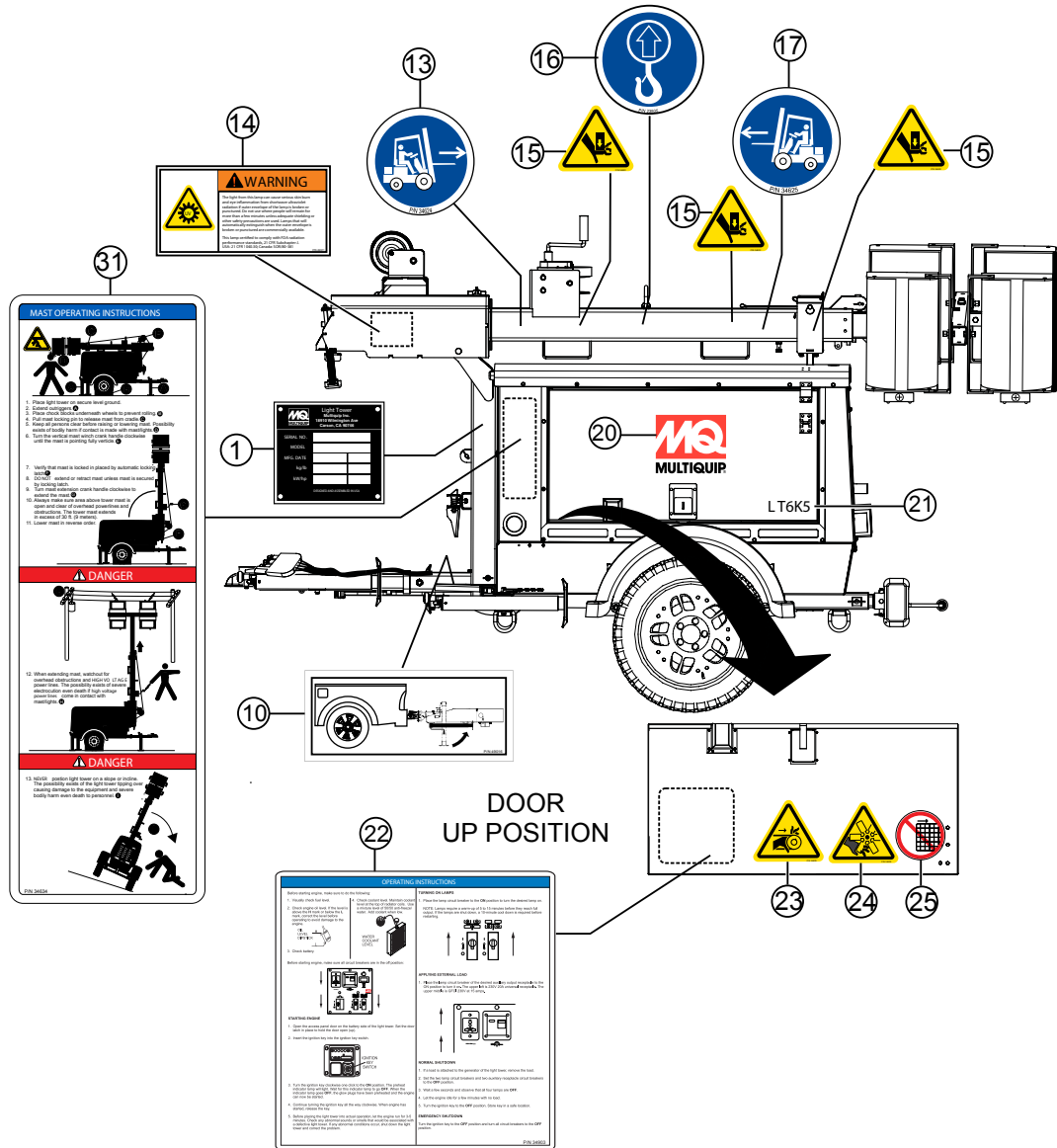
NAMEPLATE AND DECALS



NAMEPLATE AND DECALS

<u>NO.</u>	<u>PART NO.</u>	<u>PART NAME</u>	<u>QTY.</u>	<u>REMARKS</u>
10	49016	DECAL: HORIZONTAL JACK STANDS 4.10" X 1.80"	3	
11	23808	DECAL ISO: HOT SURFACE HAZARD 2.4" X 2.00"	2	
13	34624	DECAL ISO: FORK LIFT LEFT 2.00" DIA.	2	
15	34622	DECAL ISO: CRUSH HAZARD 2.4" X 2.0"	6	
16	34626	DECAL ISO: LIFTING POINT 2.00" DIA	2	
17	34625	DECAL ISO: FORK LIFT RIGHT 2.00" DIA	2	
18	34631	DECAL: MAST ROTATION, 2.00" X 2.45"	1	
19	23813	DECAL: FUEL, DIESEL 2.00" X 2.45"	1	
20	34806	DECAL: MQ LOGO 12.00" X 10.00"	2	
23	34629	DECAL ISO: ENTANGLEMENT HAZARD, 2.4" X 2.00"	2	
24	34628	DECAL ISO: BLADE ROTATION HAZARD, 2.4" X 2.00"	2	
25	23874	DECAL ISO: DO NOT REMOVE GUARDS HAZARD 2.00" DIA.	2	
26	34630	DECAL: FIRE, EXPLOSION, SMOKING HAZ. 6.50" X 1.40"	1	
27	32457	DECAL ISO, SMOKE INHALATION, 2.00" DIA.	1	

NAMEPLATE AND DECALS



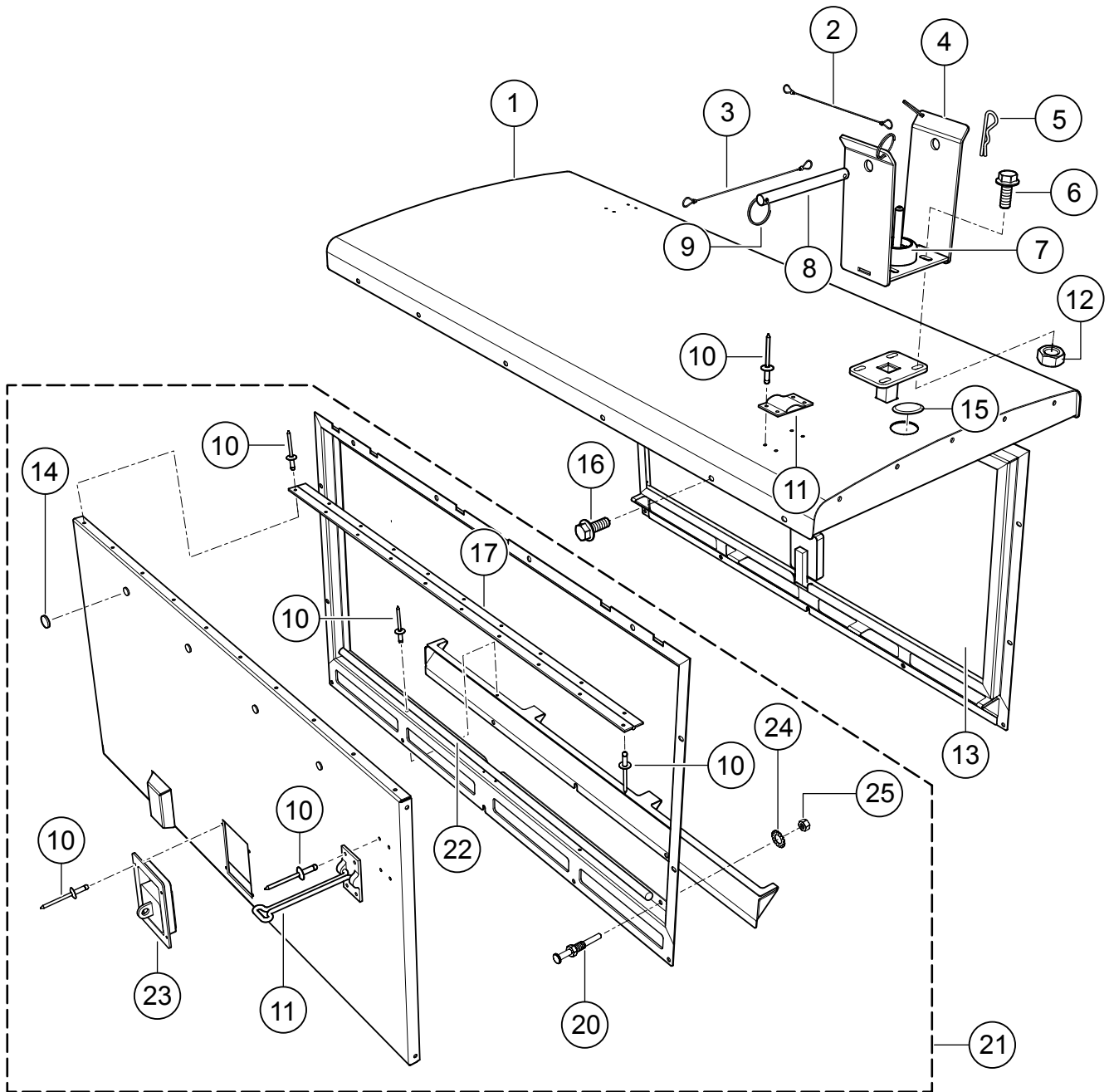
NAMEPLATE AND DECALS

<u>NO.</u>	<u>PART NO.</u>	<u>PART NAME</u>	<u>QTY.</u>	<u>REMARKS</u>
1		DECAL: SERIAL PLATE	1	CONTACT MQ PARTS DEPT
10	49016	DECAL: HORIZONTAL JACK STANDS 4.10" X 1.80"	3	
13	34624	DECAL ISO: FORK LIFT LEFT 2.00" DIA.	2	
14	49911	DECAL: WARNING UV RADIATION, 6.50" X 3.40"	1	
15	34622	DECAL ISO: CRUSH HAZARD 2.4" X 2.0"	6	
16	34626	DECAL ISO: LIFTING POINT 2.00" DIA	2	
17	34625	DECAL ISO: FORK LIFT RIGHT 2.00" DIA	2	
20	34806	DECAL: MQ LOGO 12.00" X 10.00"	2	
21	34902	DECAL: LT6K5 LOGO 8.00" X 3.00"	2	
22	34903	DECAL: OPERATING INSTRUCTIONS 13.25" X 13.25"	1	
23	34629	DECAL ISO: ENTANGLEMENT HAZARD, 2.4" X 2.00"	2	
24	34628	DECAL ISO: BLADE ROTATION HAZARD, 2.4" X 2.00"	2	
25	23874	DECAL ISO: DO NOT REMOVE GUARDS HAZARD 2.00" DIA.	2	
31	34634	DECAL: MAST OPERATING INSTR., 16.23" X 5.2"	1	

NAMEPLATE AND DECALS

<u>NO.</u>	<u>PART NO.</u>	<u>PART NAME</u>	<u>QTY.</u>	<u>REMARKS</u>
27	34627	DECAL: WARNING, TOWING 13.1" X 2.3"	1	
28	EE56313	OVERLAY	1	
29		DECAL: VIN AND TIRE TAG.....	1.....	CONTACT MQ PARTS
		DEPT.
30	EE56314	OVERLAY	1	

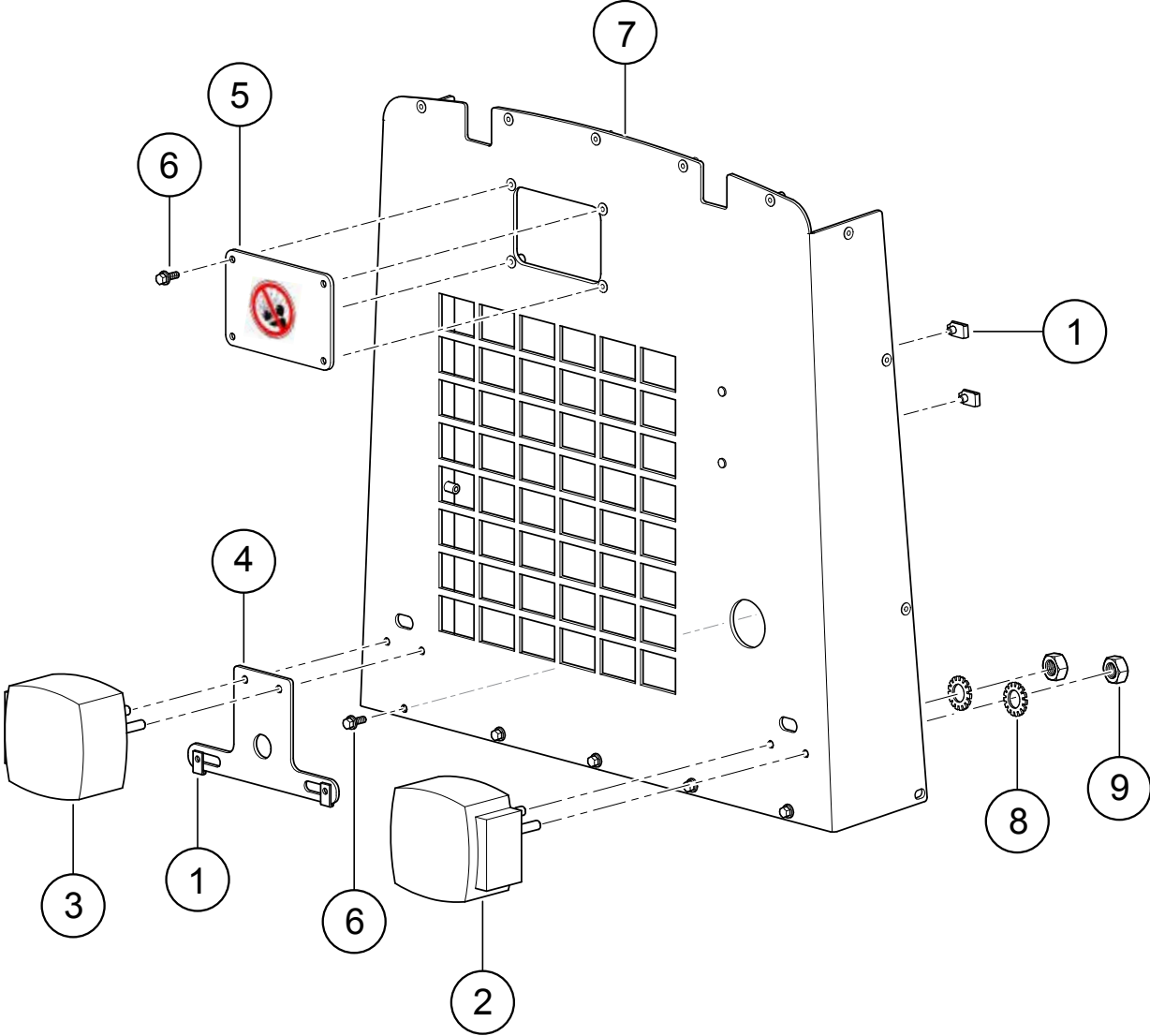
CABINET ASSY.



CABINET ASSY.

<u>NO.</u>	<u>PART NO.</u>	<u>PART NAME</u>	<u>QTY.</u>	<u>REMARKS</u>
1	34642	LID, CABINET	1	
2	19483	LANYARD 6"	1	
3	19484	LANYARD 10"	1	
4	34149	MAST SUPPORT	1	
5	34103	PIN, HAIRPIN COTTER, ZN. 2-9/16" L	1	
6	9091	SCREW, HHFS 5/16-18 X 1" GRD5	4	
7	17336	BUMPER, 2.5" DIA X 1"	1	
8	34105	PIN, ZINC PLTD., 1018 STEEL	1	
9	34102	RING, SPLIT, ZN PLTD., 1.06" ID	3	
10\$#	19847	RIVET, POP, ALUM. 3/16" X 1/8-1/4" GRIP	AR	
11\$#	34721	HOOK AND LATCH ASSY., 6"	2	
12	49071	NUT, FLANGED 5/16-18 SERRATED PLTD	4	
13	34651	DOOR ASSY, RIGHT	1	INCLUDES ITEMS W/#
14\$#	29711	BUMPER, 1/2" DIA. BLACK	8	
15	20121	PLUG, SNAP IN	1	
16	30119	SCREW, HHFS 1/4-20 X 7/8" IND HEX, DOG PT	AR	
17\$#	34658	HINGE, DOOR	2	
20\$	39171	SWITCH, MOMENTARY DOOR	1	
21	34761	DOOR, ASSY., LEFT	1	INCLUDES ITEMS W/\$
22\$#	29093	GASKET, 4' PER SIDE	8	1PC=1FT
23\$#	49137	LATCH, DOOR	2	
24\$	13339	WASHER, EXT. SHKP, 5/16"	1	
25\$	0161 D	NUT, HEX FINISH 5/16-18	1	

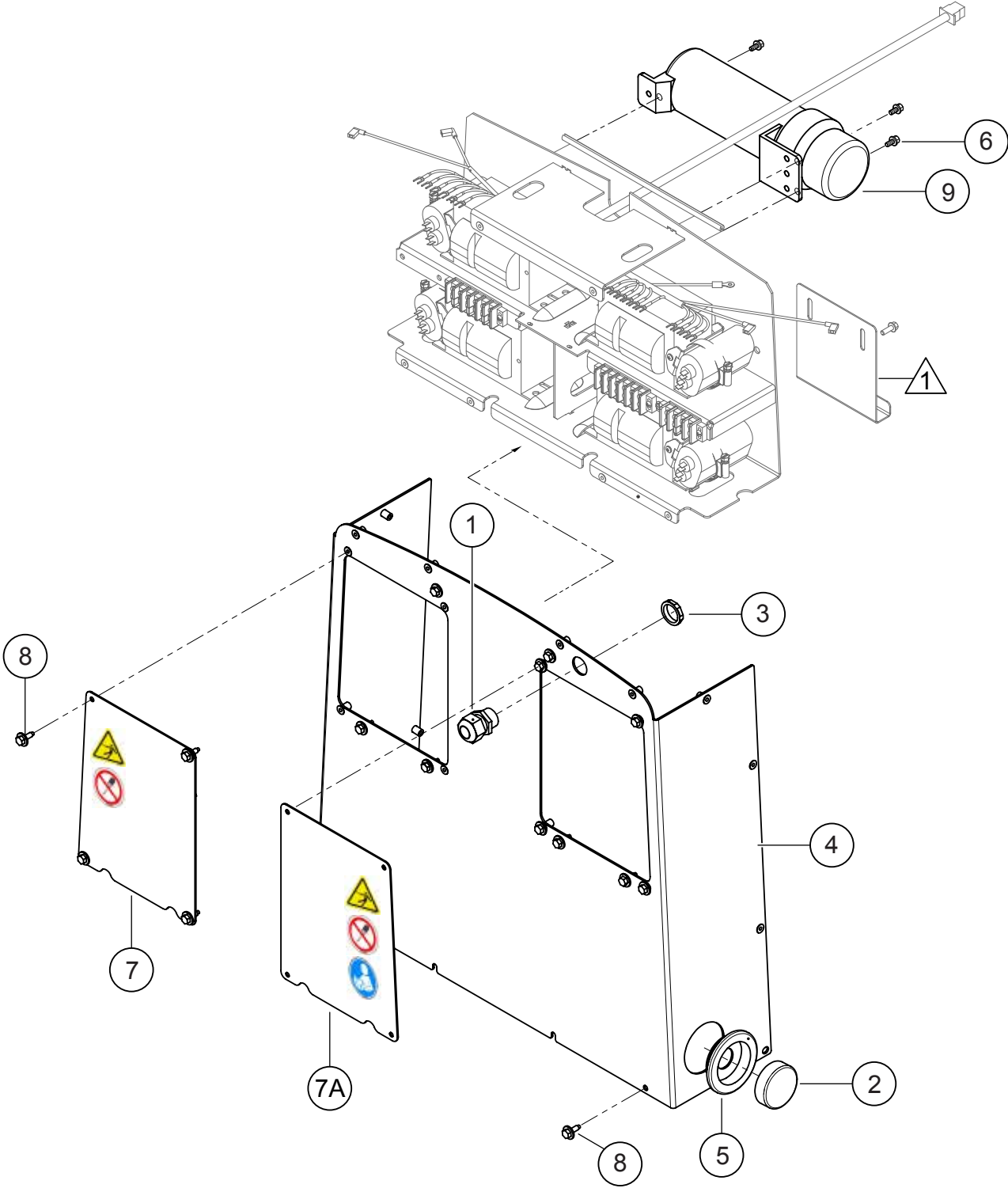
REAR PANEL ASSY.



REAR PANEL ASSY.

<u>NO.</u>	<u>PART NO.</u>	<u>PART NAME</u>	<u>QTY.</u>	<u>REMARKS</u>
1	11534	NUT, "U" TYPE, 1/4-20	4	
2	29242	LIGHT, TAIL (CURB SIDE).....	1	INCLUDES ITEM W/\$
3	29243	LIGHT, TAIL (ROAD SIDE).....	1	INCLUDES ITEM W/\$
4	34682	BRACKET, LICENSE PLATE	1	
5	34877	COVER, RAD FILL ACCESS, W/GASKET & DECAL	1	
6	30119	SCREW, HHFS 1/4-20 X 7/8", IND HEX DOG PT	9	
7	34732	REAR PANEL ASM, W/ INSERTS	1	
8	10031	WASHER, EXT. SHKP, 1/4"	4	
9\$	49070	NUT, FLANGED 1/4-20 SERRATED PLTD	4	

FRONT PANEL ASSY.

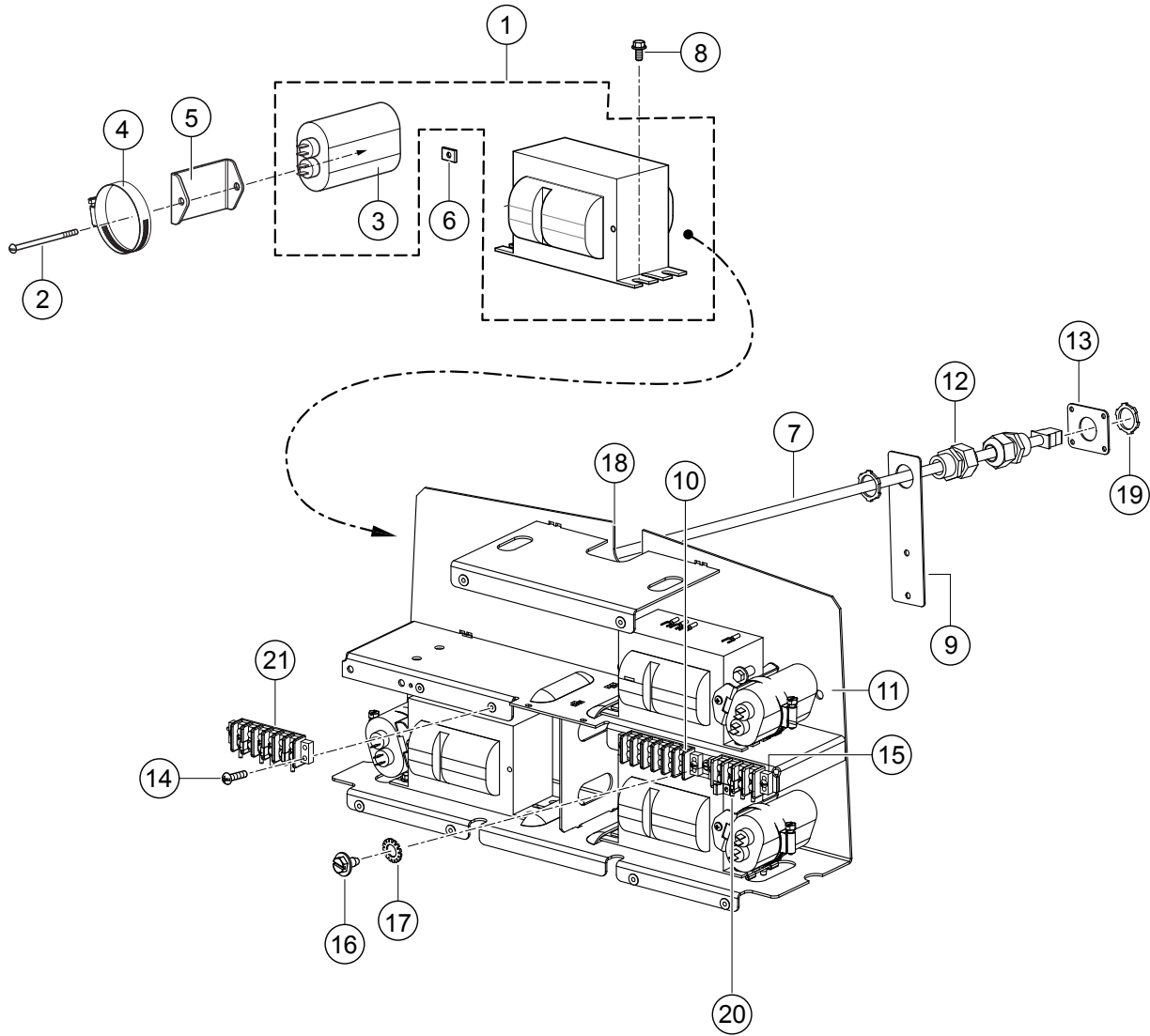


NOTE:
1 SEE FUEL TANK, HOSES, AND MOUNTING ASSY.

FRONT PANEL ASSY.

<u>NO.</u>	<u>PART NO.</u>	<u>PART NAME</u>	<u>QTY.</u>	<u>REMARKS</u>
1	29655	CORDGRIP, LIQUID TIGHT, 3/4 NPT	1	
2	29898	LIGHT, 2-1/2" SIDE MARKER, AMBER	2	
3	26560	NUT, LOCKING 3/4 NPT CONDUIT	1	
4	34763	FRONT PANEL ASSY. W/INSERTS	1	
5	29900	GROMMET W/WIRE KIT, 2-1/2", 14218K	2	
6	49048	SCREW, HHFS 1/4-20 X 3/4" GRD 5	3	
7	34879	PANEL, BALLAST ACCESS W/GASKET & DECAL	1	
7A	34878	PANEL, BALLAST ACCESS W/GASKET & DECAL	1	
8	30119	SCREW, 1/4-20 X 7/8", IND HEX DOG PT	18	
9	23297	MANUAL HOLDER, PICTOGRAPH	1	

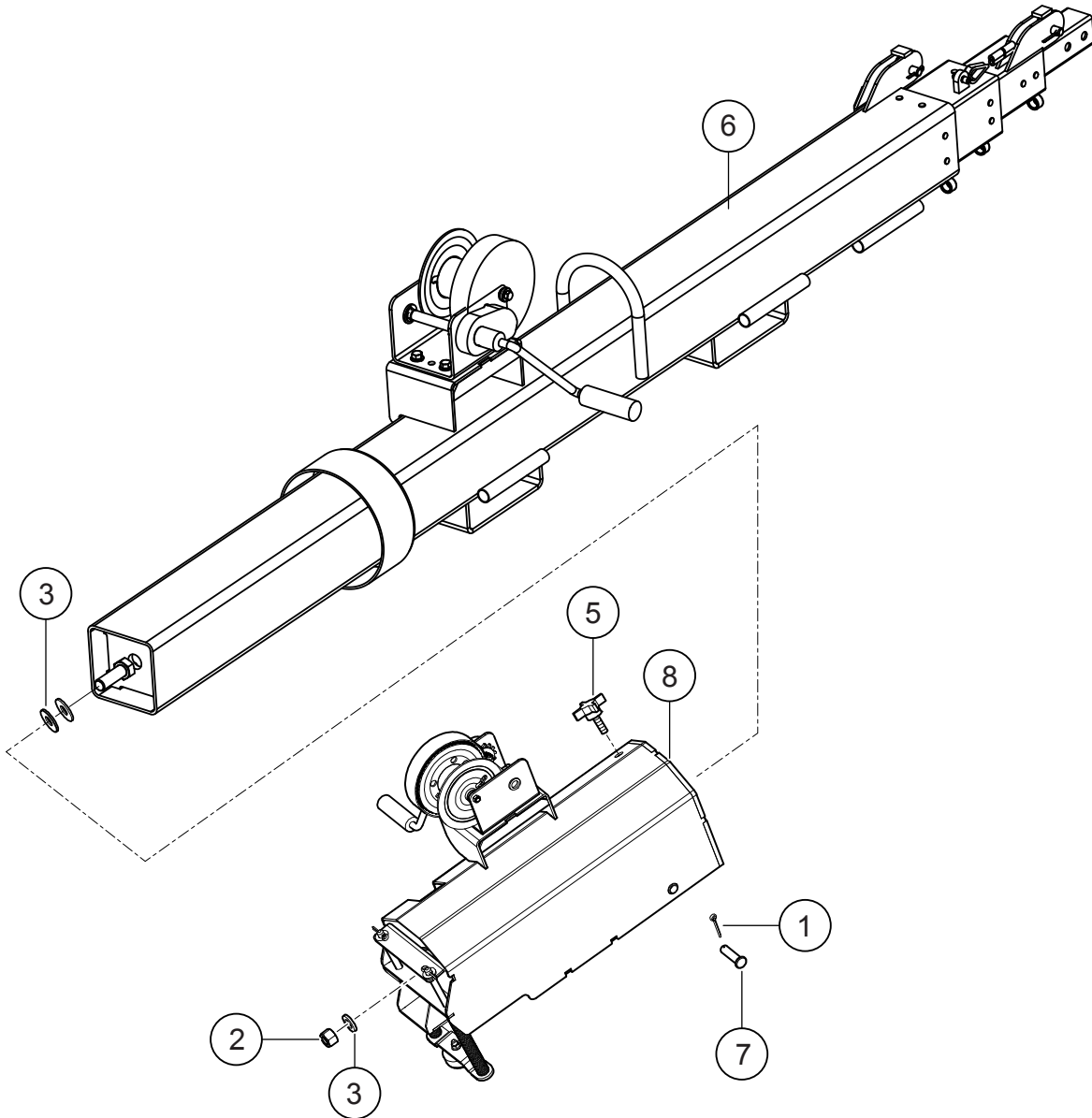
BALLAST AND CAPACITOR ASSY.



BALLAST AND CAPACITOR ASSY.

<u>NO.</u>	<u>PART NO.</u>	<u>PART NAME</u>	<u>QTY.</u>	<u>REMARKS</u>
1	29798	BALLAST/TRANSFORMER ASSY., 50Hz.....	4.....	INCLUDES ITEM W/\$
2	34821	SCREW, PHP 10-24 X 4"	4	
3\$	005-1475-MF	CAPACITOR, 30mF @ 440V	4	
4	12277	CLAMP, HOSE WORM #36	4	
5	34779	BRACKET, CAPACITOR, 50HZ	4	
6	34819	NUT, "U" TYPE, #10-24	4	
7	34835	HARNESS, LT6 BALLAST	1	
8	49048	SCREW, HHFS 1/4-20 X 3/4", GRD5	8	
9	34926	PLATE, BALLAST HARNESS COVER	1	
10	34804	TERMINAL STRIP, 6 GANG DBL ROW	2	
11	34734	BALLAST MOUNT WELDMENT	1	
12	29655	CORDGRIP, LIQUID TIGHT, 3/4 NPT	2	
13	34927	PLATE, CONTROL BOX CORD GRIP MOUNT	1	
14	8133	SCREW, PHP 10-32 X 3/4"	6	
15	34913	TERMINAL BLOCK, 4 GANG W/ JUMPER	1	
16	34305	SCREW, HHF SLOT, #10-32 X 3/8" GREEN ZN	1	
17	10237	WASHER, EXT. SHKP, #10	1	
18	28861-301	RUBBER TRIM, .33"L.....	1.....	1PC=1FT
19	26560	NUT, LOCKING 3/4 NPT CONDUIT	2	
20	19957	TERMINAL, FLANGED SPADE, 16-14 GA X #10, INSUL	AR	
21	34915	TERMINAL BLOCK W/JUMPERS, 6 GANG, BALLAST	1	

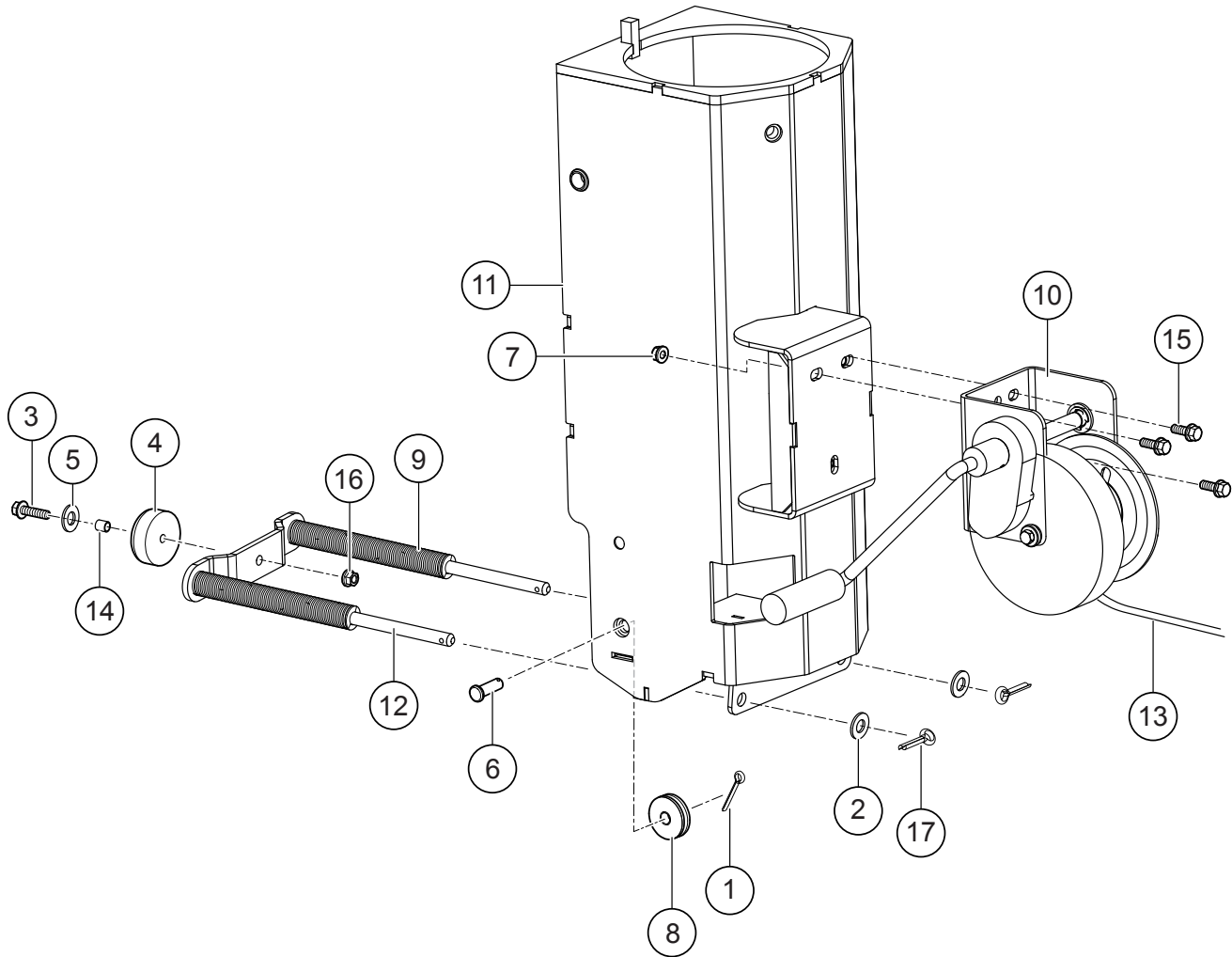
TOWER ASSY.



TOWER ASSY.

<u>NO.</u>	<u>PART NO.</u>	<u>PART NAME</u>	<u>QTY.</u>	<u>REMARKS</u>
1	0183	PIN, COTTER 1/8"D X 1-1/4"	2	
2	5070 B	NUT, NYLOC 3/4-10	1	
3	5079	WASHER, FLAT 3/4" USS	3	
5	19977	KNOB, CLAMP 1/2-13 THREAD	1	
6	34242	MAST ASSEMBLY	1	
7	34376	PIN,CLEVIS 5/8" X 1-3/4" EFF (2" OAL) ZP	2	
8	34751	MAST BASE ASSY.	1	

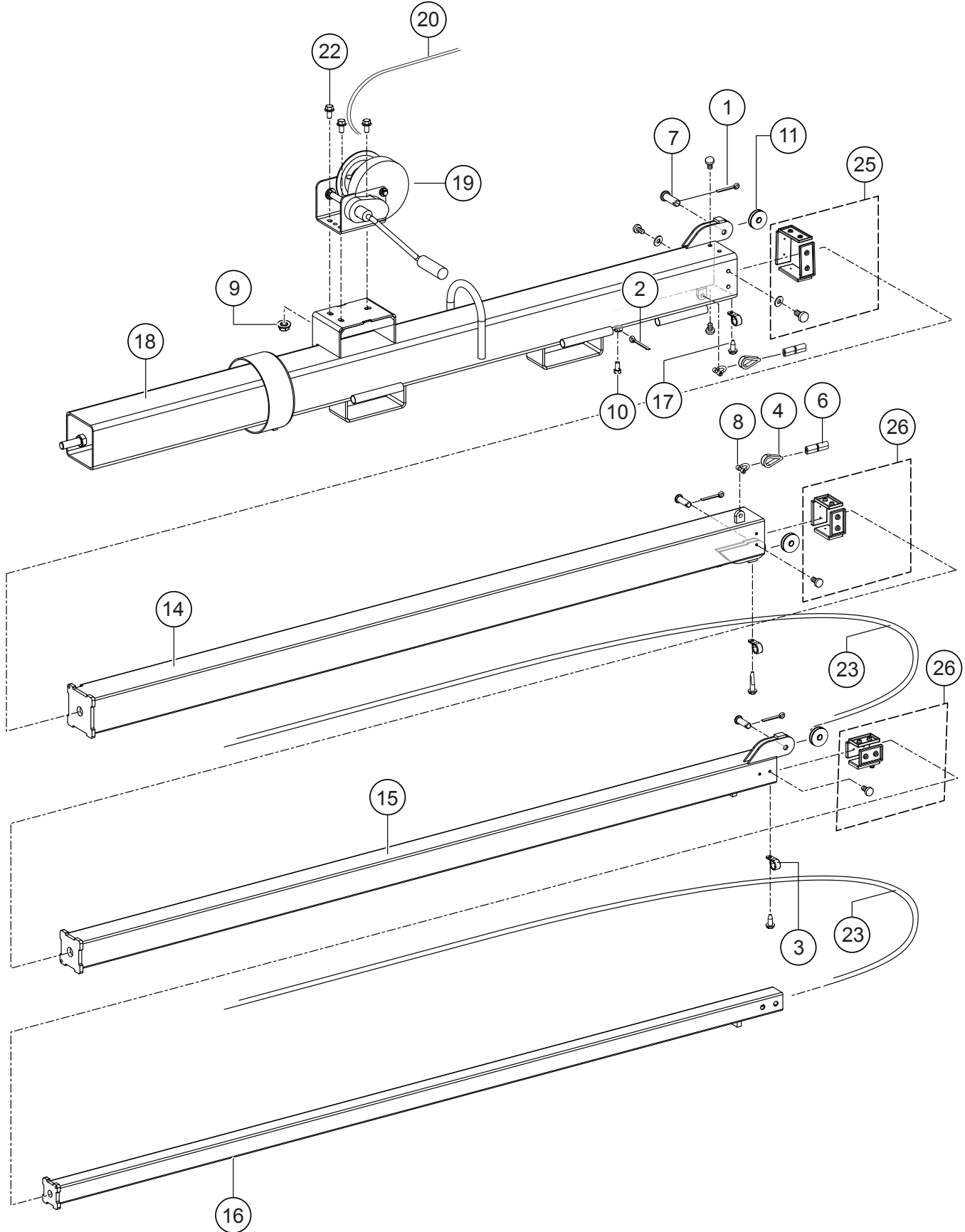
MAST BASE ASSY.



MAST BASE ASSY.

<u>NO.</u>	<u>PART NO.</u>	<u>PART NAME</u>	<u>QTY.</u>	<u>REMARKS</u>
1	0183	PIN, COTTER 1/8" D X 1-1/4"	1	
2	0447	WASHER, FLAT 1/2 SAE	2	
3	2623	SCREW, HHC 5/16-18 X 1-1/4"	1	
4	17336	BUMPER, 2.5" DIA X 1"	1	
5	19470	WASHER, FLAT 5/16 USS	1	
6	19974	PIN, CLEVIS 1/2" X 1.25" EFF	1	
7	21781	NUT, FLANGED 3/8-16 SERRATED PLTD	3	
8	29155	SHEAVE, 2.0" OD X 0.50" ID	1	
9	34362	SPRING, CENTURY D-1145	2	
10	34636	WINCH, BRAKE, 1500LBS (680KG)	1	
11	34742	SWIVEL BASE	1	
12	34752	SPRING MOUNT, MAST RETURN	1	
13	34794	CABLE, MAST, 3/16" X 112"	1	
14	34810	SPACER, .32" ID X .41" OD X .44" L	1	
15	38274	SCREW, HHFS 3/8-16 X .75" ZINC	3	
16	49071	NUT, FLANGED 5/16-18 SERRATED PLTD	1	
17	965103	PIN, COTTER 5/32" X 1", PLTD	2	

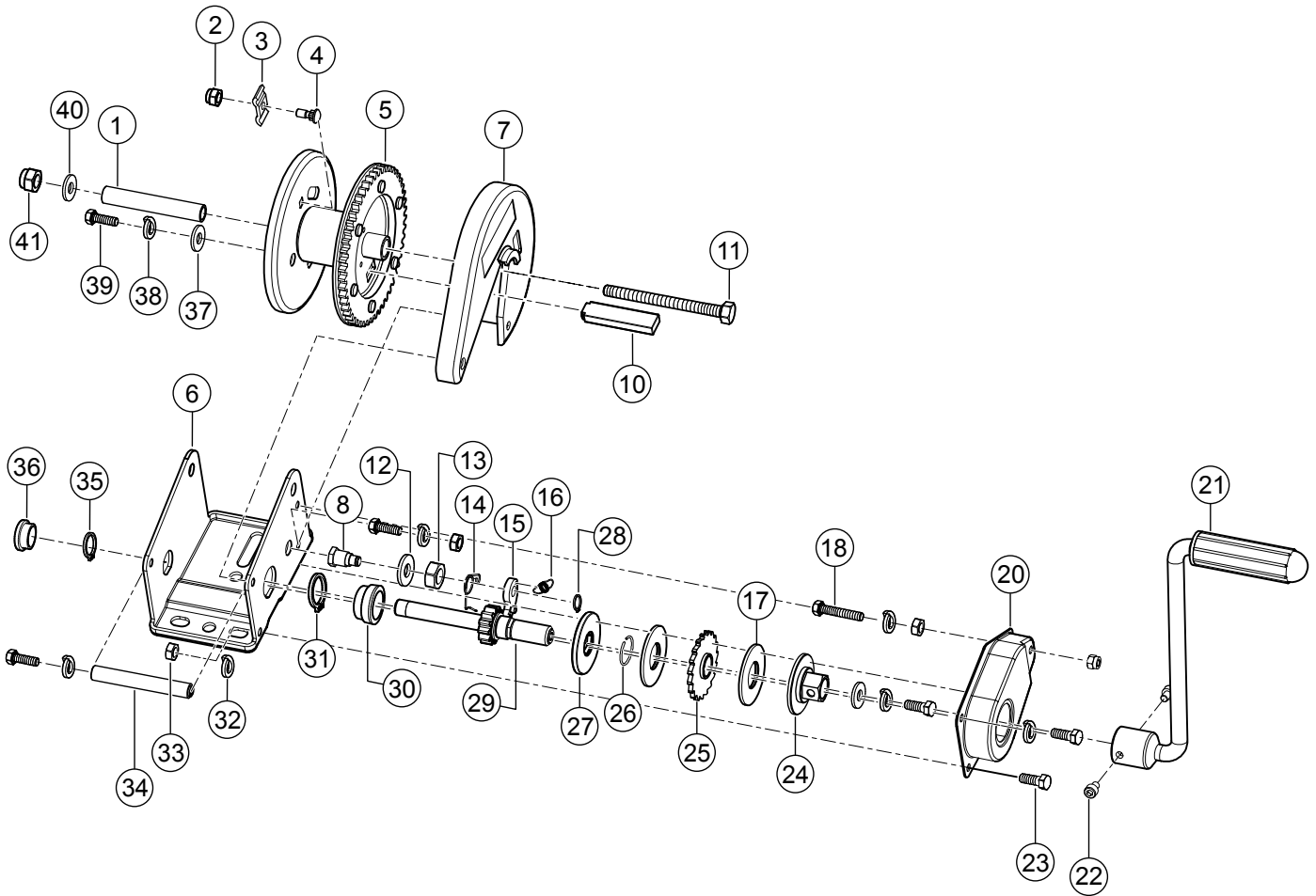
MAST ASSY.



MAST ASSY.

<u>NO.</u>	<u>PART NO.</u>	<u>PART NAME</u>	<u>QTY.</u>	<u>REMARKS</u>
1	0183	PIN, COTTER 1/8"D X 1-1/4"	3	
2	6014 B	PIN, COTTER 3/32"D X 1	1	
3	8125	CLAMP, 5/8 LOOP X .406 HOLE	3	
4	19200	THIMBLE, 3/16 WIRE	3	
6	19973	SWAGE, AL 3/16	6	
7	19974	PIN, CLEVIS 1/2 X 1.25 EFF	3	
8	19975	SHACKLE, ANCHOR CP	2	
9	21781	NUT, FLANGED 3/8-16 SERRATED PLTD	3	
10	29075	SCREW, HHC 1/2-13 x DRILLED	1	
11	29155	SHEAVE, 2.00 OD X 0.500 ID	3	
14	34127	TUBE, BOTTOM SECTION	1	
15	34129	TUBE, MID SECTION	1	
16	34131	TUBE, TWR TOP	1	
17	34310	SCREW, HHF 1/4-20 X 3/8", TYPE F, ZP	3	
18	34237	MAST, BASE UNIT	1	
19	34636	WINCH, BRAKE, 1500 LBS (680KG)	1	
20	34796	CABLE ASSY. LOWER MAST, SERVICE W/CLIPS	1	
22	38274	SCREW, HHFS 3/8-16 X .75 ZINC	3	
23	34881	CABLE ASSY. KIT, MID MAST, SERVICE W/CLIPS	2	
25	34908	KIT, LOWER BLOCK	1	
26	34909	KIT, UPPER BLOCK	2	

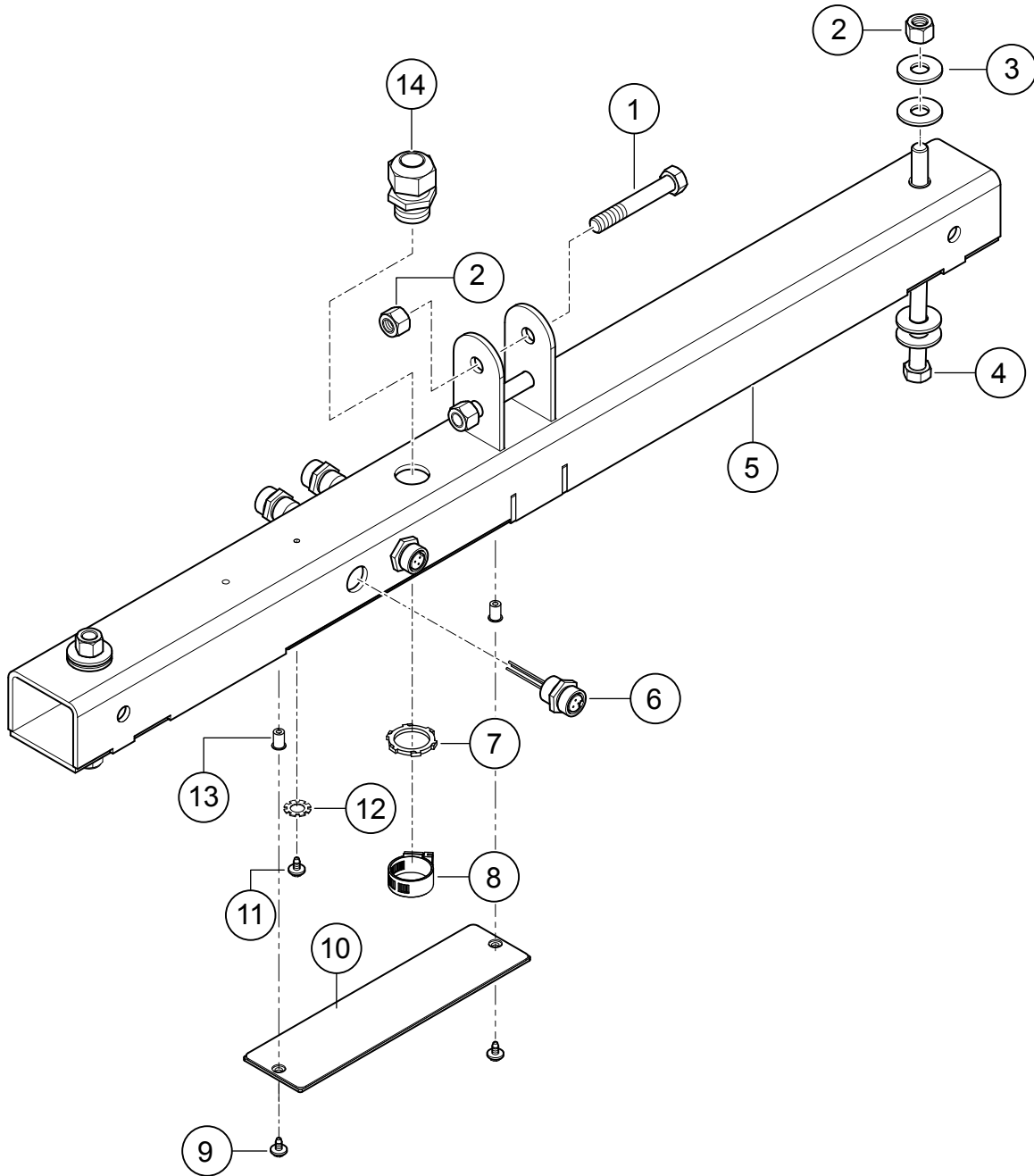
WINCH ASSY.



WINCH ASSY.

<u>NO.</u>	<u>PART NO.</u>	<u>PART NAME</u>	<u>QTY.</u>	<u>REMARKS</u>
1	345110-01	RETAINING SLEEVE	1	
2	345110-02	LOCK NUT M6	1	
3	345110-03	CABLE ANCHOR	1	
4	345110-04	BOLT M6 X 15	1	
5	345110-05	DRUM WELDMENT	1	
6	345110-06	BASE	1	
7	345110-07	GEAR COVER, PLASTIC	1	
8	345110-08	BOLT M6 X 25	1	
9	345110-09	PINION-JAW	1	
10	345110-10	BELT PIN	1	OPTIONAL
11	345110-11	BOLT M10 X 108	1	
12	345110-12	WAVE SPRING WASHER 12	1	
13	345110-13	NUT M12 X 1.5	1	
14	345110-14	TORSION SPRING - JAW	1	
15	345110-15	JAW	1	
16	345110-16	EXTENSION SPRING	1	
17	345110-17	BRAKE DISC	2	
18	345110-18	BOLT M6 X 30	1	
19	345110-19	WASHER 6	1	
20	345110-20	COVER-RATCHET WHEEL	1	
21	59010	HANDLE. WINCH	1	
22	345110-22	BOLT M6 X 8	2	
23	345110-23	BOLT M6 X 12	4	
24	345110-24	BRAKE NUT	1	
25	345110-25	RATCHET ASSEMBLY	1	
26	345110-26	RETAINING RING	1	
27	345110-27	RETAINING DISC	1	
28	345110-28	CIRCLIP 8	1	
29	345110-29	BRAKE GEAR PINION	1	
30	345110-30	BUSH-BIG 20	1	
31	345110-31	CIRCLIP 26	1	
32	345110-32	SPRING WASHER 6	6	
33	345110-33	NUT M6	3	
34	345110-34	RETAINING PINION	1	
35	345110-35	SPRING RETAINER	1	
36	345110-36	BUSH-SMALL 12.8	1	
37	345110-37	WASHER(OPTIONAL)	1	
38	345110-38	SPRING WASHER(OPTIONAL)	1	
39	345110-39	BOLT M6 X 12(OPTIONAL)	1	
40	345110-40	WASHER 10	1	
41	345110-41	LOCK NUT M10	1	

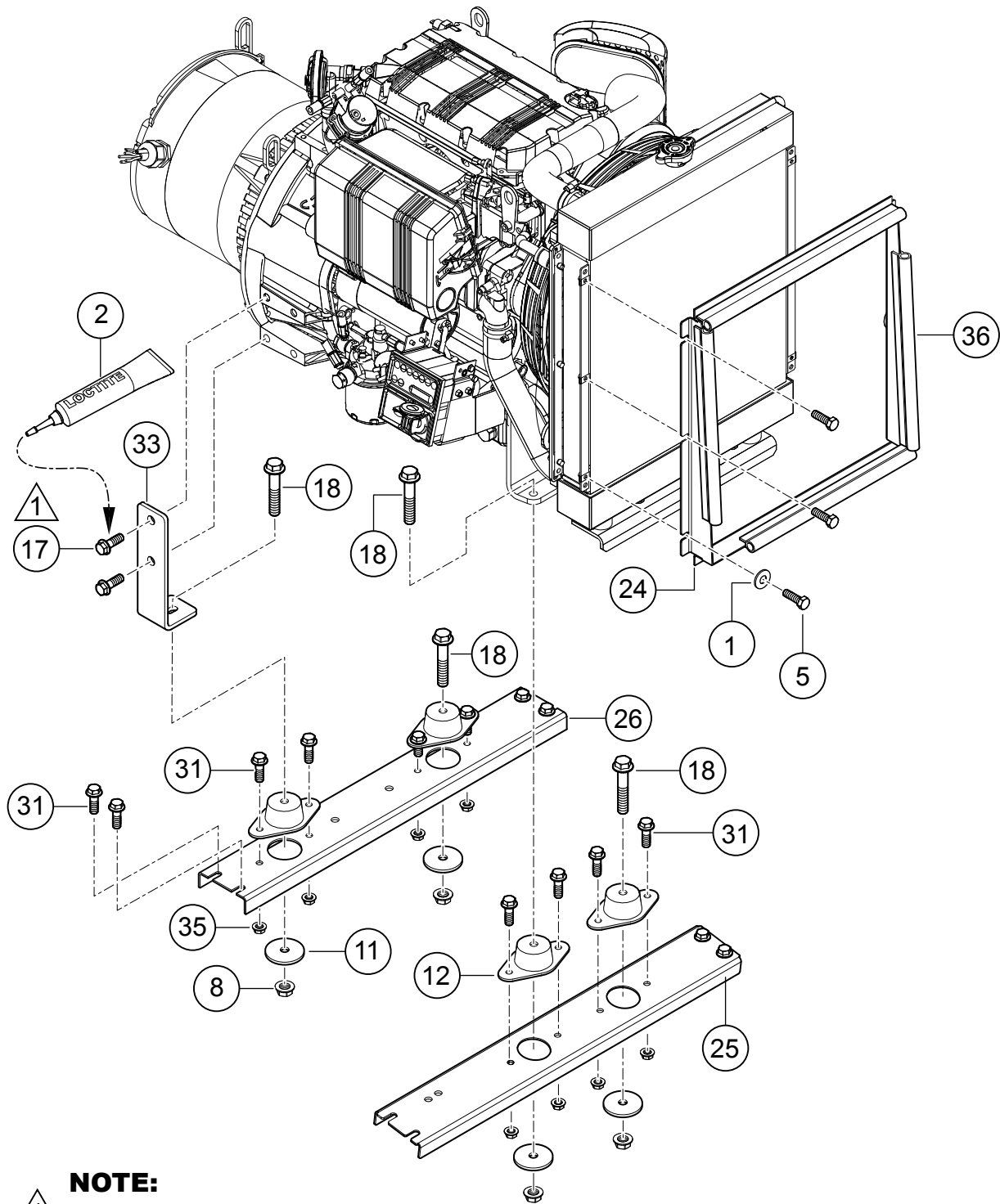
T-BAR ASSY.



T-BAR ASSY.

<u>NO.</u>	<u>PART NO.</u>	<u>PART NAME</u>	<u>QTY.</u>	<u>REMARKS</u>
1	06503-026	SCREW, HHC 1/2-13 X 3-1/4"	2	
2	10176	NUT, NYLOC 1/2-13	6	
3	13211	WASHER, FLAT 1/2" USS	8	
4	10306	SCREW, HHC 1/2-13 X 4-1/2"	2	
5	34147	T-BAR	1	
6	29168	RECEPTACLE, FEM	4	
7	26560	NUT, LOCKING 3/4 NPT CONDUIT	1	
8	19473	CLAMP, HOSE WORM #2, 1/4" TO 5/8"	1	
9	30119	SCREW, 1/4-20 X 7/8", TYPE 23, ZP, IND HEX. DOG PT.	2	
10	34842	PANEL ASSY. T-BAR ACCESS W/ GASKET	1	
11	34305	SCREW, HHF SLOT, #10-32 X 3/8" TYPE F	1	
12	10237	WASHER, EXT. SHKP, #10	1	
13	19266	NUT, BLIND 1/4-20 X .027-.165	2	
14	29655	CORDGRIP, LIQUID TIGHT, 3/4 NPT	1	

ENGINE MOUNTING

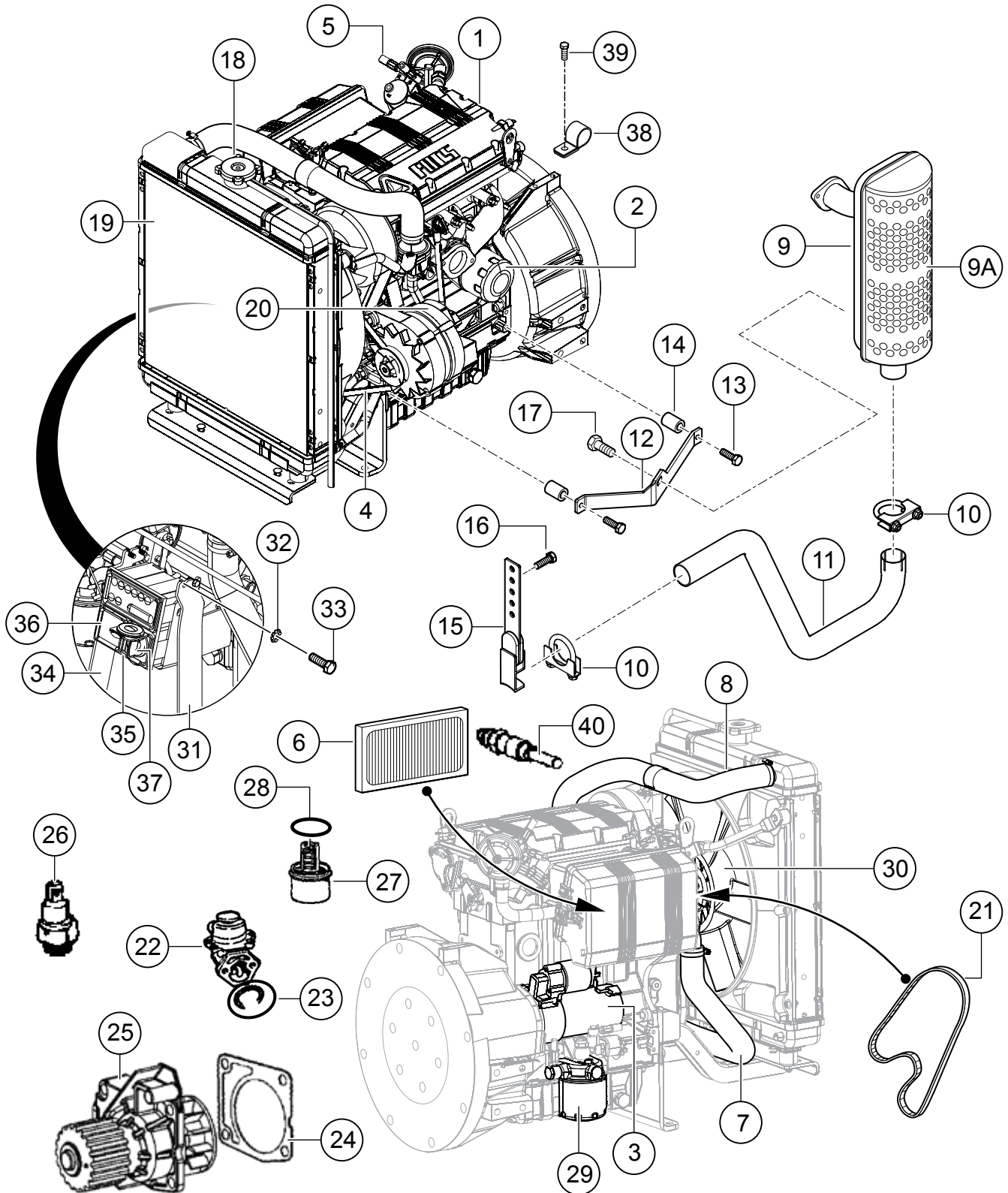


NOTE:
1 APPLY LOCTITE # 271 RED

ENGINE MOUNTING

<u>NO.</u>	<u>PART NO.</u>	<u>PART NAME</u>	<u>QTY.</u>	<u>REMARKS</u>
1	0948	WASHER, FLAT SAE 1/4"	6	
2	19379-014	LOCTITE #271 RED	AR	
5	12464	SCREW, HHC M6-1.0 X 16MM	6	
8	21781	NUT, FLANGED 3/8-16 SERRATED PLTD	4	
11	29043-001	WHEEL, POINTER .41 ID X 2.00 OD	4	
12	29269	MOUNT, VIBRATORY ENGINE	4	
17	34317	SCREW, HHFS M12-1.75 X 20 MM	4	
18	34318	SCREW, HHFS 3/8-16 X 2-1/4"	4	
24	34685	SHROUD, RADIATOR	1	
25	34688	CROSSMEMBER, FRONT	1	
26	34689	CROSSMEMBER, REAR	1	
31	36720	SCREW, HHFS 5/16-18 X 3/4" GRD5	16	
33	49003	MOUNT, REAR ENGINE	2	
35	49071	NUT, FLANGED 5/16-18 SERRATED PLTD	8	
36	60124	GASKET, SPONGE BULB.....	5.....	1PC = 1 FT

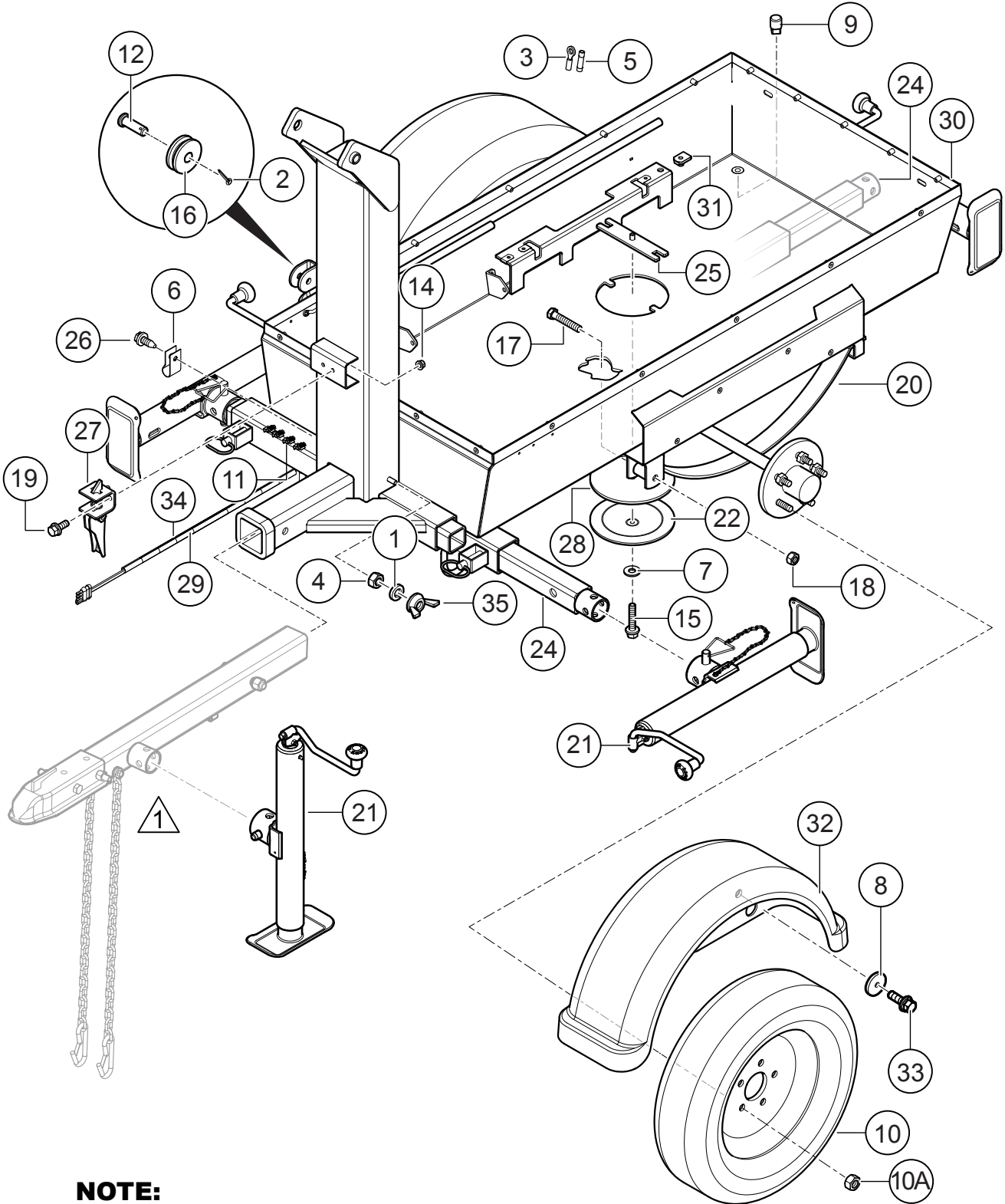
ENGINE AND COMPONENTS



ENGINE AND COMPONENTS

<u>NO.</u>	<u>PART NO.</u>	<u>PART NAME</u>	<u>QTY.</u>	<u>REMARKS</u>
1	29644	ENGINE, KOHLER KDW1003/L FOCS	1	
2	ED0021752830S	OIL FILTER	1	
3	ED0058402240S	STARTER ASSY.	1	
4	ED0024403200S	FAN BELT 835 MM	1	
5	19761	TERMINAL, SPLICE 16-14	1	
6	ED0021751640S	CARTRIDGE, AIR FILTER	1	
7	ED0054011950S	HOSE, RADIATOR, LOWER	1	
8	ED0054011940S	HOSE, RADIATOR, UPPER	1	
9	ED0054604500S	MUFFLER	1	
9A	ED0069271720S	GUARD, MUFFLER	1	
10	10855	CLAMP, 1-1/2" MUFFLER	2	
11	34215	TAIL PIPE EXTENSION	1	
12	29937	BRACE, LOWER MUFFLER	1	
13	23792	SCREW, HHFS M8-1.25 X 30 MM	2	
14	29938	SPACER, MUFFLER BRACKET	2	
15	34335	HANGER, EXHAUST	1	
16	49048	SCREW, HHFS 1/4-20 X 3/4" GRD5	2	
17	2299	BOLT, M8-1.25 X 16 MM	1	
18	ED0090002390S	RADIATOR CAP	1	
19	ED0073503220S	RADIATOR	1	
20	ED0011573910S	ALTERNATOR	1	
21	ED0024403380S	TIMING BELT	1	
22	ED0065851510S	PUMP, FUEL FEED	1	
23	ED0012000870S	O-RING, FEED PUMP	1	
24	ED0065844380S	WATER PUMP	1	
25	ED0045802150S	GASKET, WATER PUMP	1	
26	ED0067450560S	OIL PRESSURE SWITCH	1	
27	ED0091951240S	THERMOSTAT	1	
28	ED0012000910S	O-RING, THERMOSTAT	1	
29	ED0021752880S	FUEL FILTER	1	
30	ED0097183240S	COOLING FAN	1	
31	34814	MOUNT, RIGHT ENG. CONTROL BOX	1	
32	10237	WASHER, EXT. SHKP, #10	4	
33	34823	SCREW, HHC M5-.8 X 12 MM, 8.8 DIN	4	
34	34813	MOUNT, LEFT ENG. CONTROL BOX	1	
35	ED34001S	KEY, IGNITION, DOUBLE SIDED	1	
36	ED0072454650S	CONTROL PANEL	1	
37	ED0050412980S	IGNITION SWITCH	1	
38	8125	CLAMP, HOSE SUPPORT 5/8"	1	
39	22021	SCREW, HEX M8-1.25 X 20 MM GRD10.9	1	
40	ED0021000890S	GLOW PLUG	3	

TUB/TRAILER ASSY.



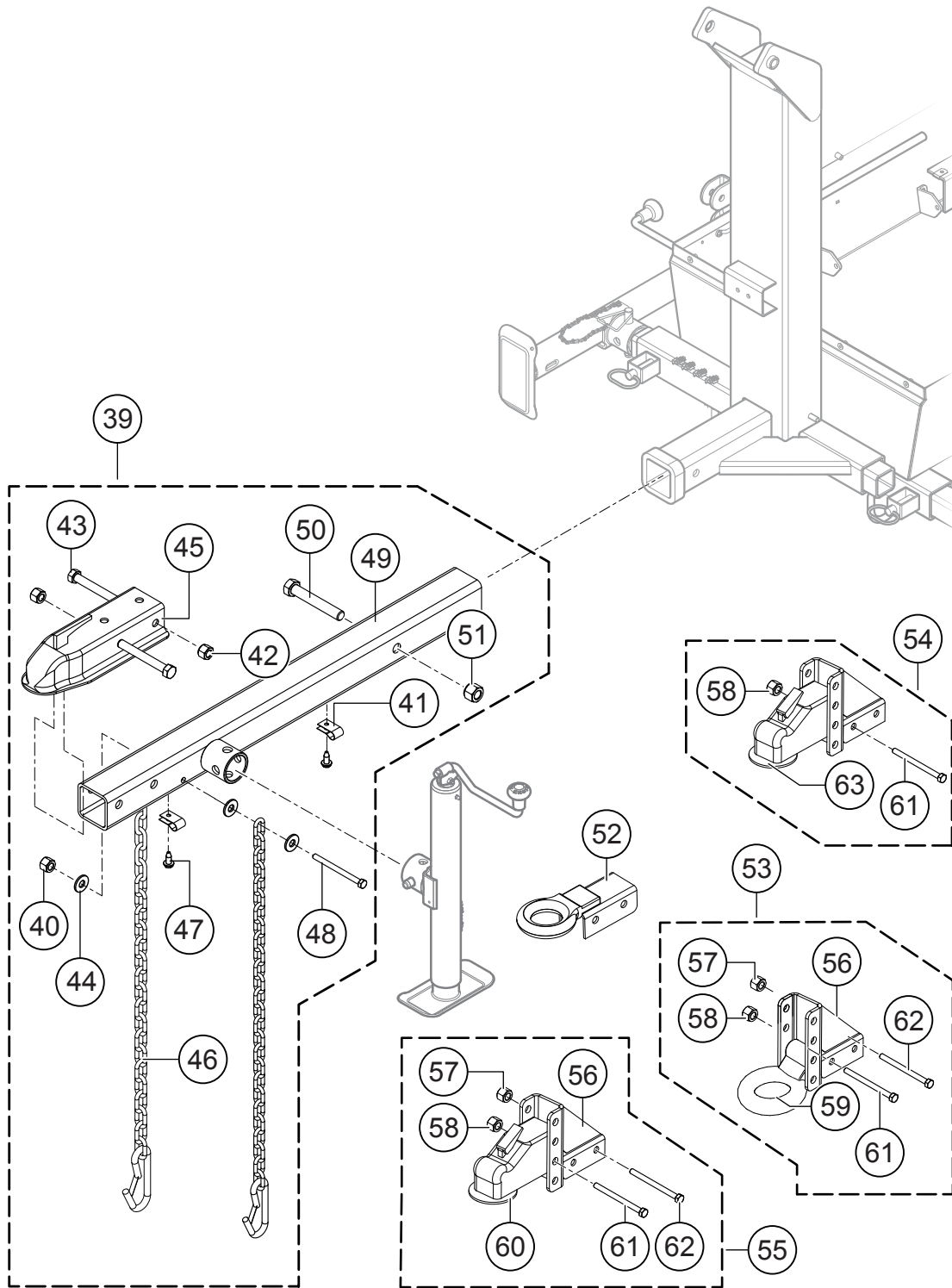
NOTE:

1 SEE TONGUE ASSY. FIGURE

TUB/TRAILER ASSY.

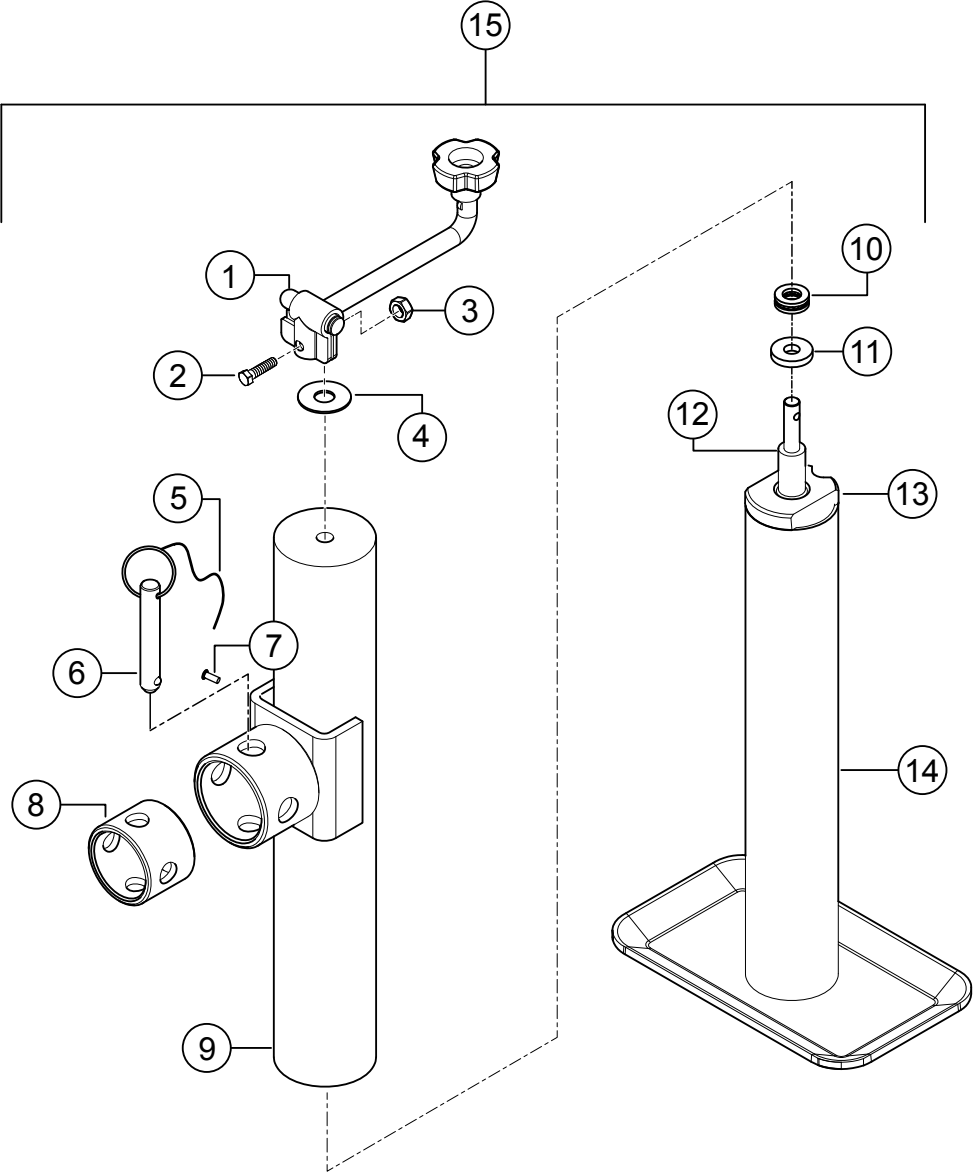
<u>NO.</u>	<u>PART NO.</u>	<u>PART NAME</u>	<u>QTY.</u>	<u>REMARKS</u>
1	0166 A	WASHER, LOCK, 3/8" MED.	1	
2	0183	PIN, COTTER 1/8"D X 1-1/4"	1	
3	1319	TERMINAL, RING 16-14 1/4" LOOP	1	
4	1876	NUT, HEX JAM 3/8-16 CLASS 2B	1	
5	2540	CONNECTOR, BUTT SPLICE, 16-14	1	
6	8126	CLAMP, HOSE 1/2" LOOP X 1/4" HOLE	1	
7	34640	WASHER, SEALING, 5/16 X 3/4	1	
8	10930	WASHER, FENDER, 1/4 X 1-1/4"	8	
9	16185	FITTING, PLUG 1/4MP SQ HD	1	
10	19045	WHEEL/TIRE ST175/80-13 L.R. C 5-LUG	2	
10A	29184	NUT, LUG 1/2-20	10	
11	19761	TERMINAL, SPLICE 16-14 CLOSED, BLUE	4	
12	19974	PIN, CLEVIS 1/2 X 1-1/4" EFF	1	
14	49071	NUT, FLANGED 5/16-18 SERRATED PLTD	2	
15	21906	SCREW, HHFS 5/16-18 X 1-1/2" GRD5	1	
16	29155	SHEAVE, 2.00" OD X 0.50" ID	1	
17	29248	SCREW, HHC 9/16-18 X 3"	2	
18	29249	NUT, 9/16-18 N-2	2	
19	9091	SCREW, HHFS 5/16-18 X 1" GRD5	2	
20	34015	AXLE, ASSY.	1	
21	34093	JACK, 2000#, 10" TOP WIND	4	
22	34101	COVER, ACCESS PANEL	1	
24	34197	OUTRIGGER	3	
25	34213	BRACKET, ACCESS COVER MOUNT	1	
26	34310	SCREW, HHF 1/4 - 20 X 3/8", TYPE 23, ZP	1	
27	34331	LATCH, MAST	1	
28	34378	GASKET, ACCESS COVER	1	
29	34604	HARNES, 25' 4 FLAT TRAILER END	1	
30	34659	TUB/FRAME	1	
31	35358	NUT, "U" TYPE, 5/16-18	24	
32	34720	FENDER	2	
33	49048	SCREW, HHFS 1/4-20 X 3/4" GRD5	8	
34	60221	LOOM, .375 SPLIT	5	1PC = 1 FT
35	W29109	NUT, WING 3/8-16	1	

TONGUE ASSY.



TONGUE ASSY.

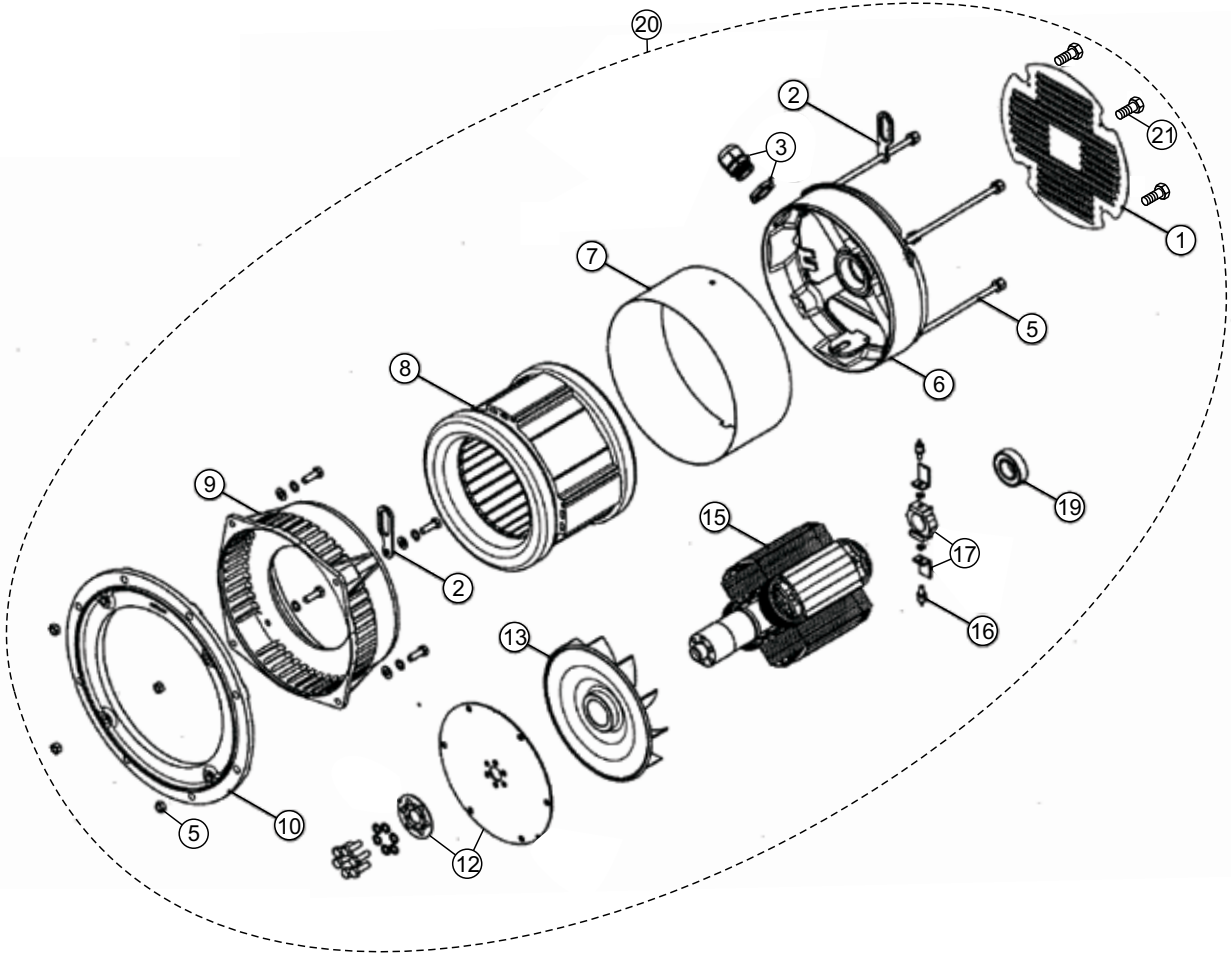
<u>NO.</u>	<u>PART NO.</u>	<u>PART NAME</u>	<u>QTY.</u>	<u>REMARKS</u>
39	34681	TOUNGE ASSY.....	1.....	INCLUDES ITEMS W/\$
40\$	5283	NUT, NYLOC 5/16-18	1	
41\$	8126	CLAMP, HOSE 1/2" LOOP X .25" HOLE	2	
42\$	10176	NUT, NYLOC 1/2-13	2	
43\$	16521	SCREW, HHC 1/2-13 X 4" GRD8	2	
44\$	19470	WASHER, FLAT 5/16" USS	4	
45\$	29546	HITCH, 2" BALL, FIXED, (STANDARD)	1	
46\$	34005	CHAIN, SAFETY	2	
47\$	34310	SCREW, HHF, 1/4-20 X 3/8," TYPE 23, ZP	2	
48\$	34370	SCREW, HHC 5/16-18 X 4.0" GRD8	1	
49\$	34680	HITCH TUBE	1	
50\$	915319	SCREW, HHC 5/8-11 X 4" GRD8 YZ	1	
51\$	9503	NUT, NYLOC 5/8-11	1	
52	34953	HITCH, PINTLE FIXED (OPTION)	1	
53	34958	HITCH, PINTLE, KIT, HT. ADJ. (OPTION)	1.....	INCLUDESITEMSW/@
54	34959	HITCH, 2" BALL, KIT, HT. ADJ. (OPTION).....	1.....	INCLUDESITEMSW/%
55	34960	HITCH, 2-5/16" BALL, KIT, HT. ADJ. (OPTION).....	1.....	INCLUDES ITEMS W/#
56#@	29718	COUPLER ADAPTER	1	
57#@	10176	NUT, NYLOC 1/2-13	2	
58#%@	9503	NUT, NYLOC 5/8-11	2	
59@	29369	PINTLE EYE, ADJUSTABLE	1	
60#	34811	COUPLER, 2-5/16" BALL, ADJUSTABLE	1	
61#%@	915218	SCREW, HHC 1/2-13 X 3-3/4" GRD8	2	
62#@	9502	SCREW, HHC 5/8-11 X 4-1/2" GRD8	2	
63%	29228	COUPLER, 2" BALL, ADJUSTABLE	1	



JACK ASSY.

<u>NO.</u>	<u>PART NO.</u>	<u>PART NAME</u>	<u>QTY.</u>	<u>REMARKS</u>
1	345109-01	HANDLE ASSEMBLY	1	
2	345109-02	BOLT M6X28	1	
3	345109-03	LOCK NUT M6	1	
4	345109-04	WASHER	1	
5	345109-05	CHAIN	1	
6	345109-06	PIN	1	
7	345109-07	CHAIN RIVET	1	
8	345109-08	MALE MOUNT TUBE	1	
9	345109-09	OUTER TUBE ASSEMBLY	1	
10	345109-10	BEARING	1	
11	345109-11	HEATED WASHER	1	
12	345109-12	THREAD	1	
13	345109-13	MAIN NUT	1	
14	345109-14	INNER TUBE	1	
15	34093	JACK ASSY., 2000 LBS, 10" TOP WIND	1	

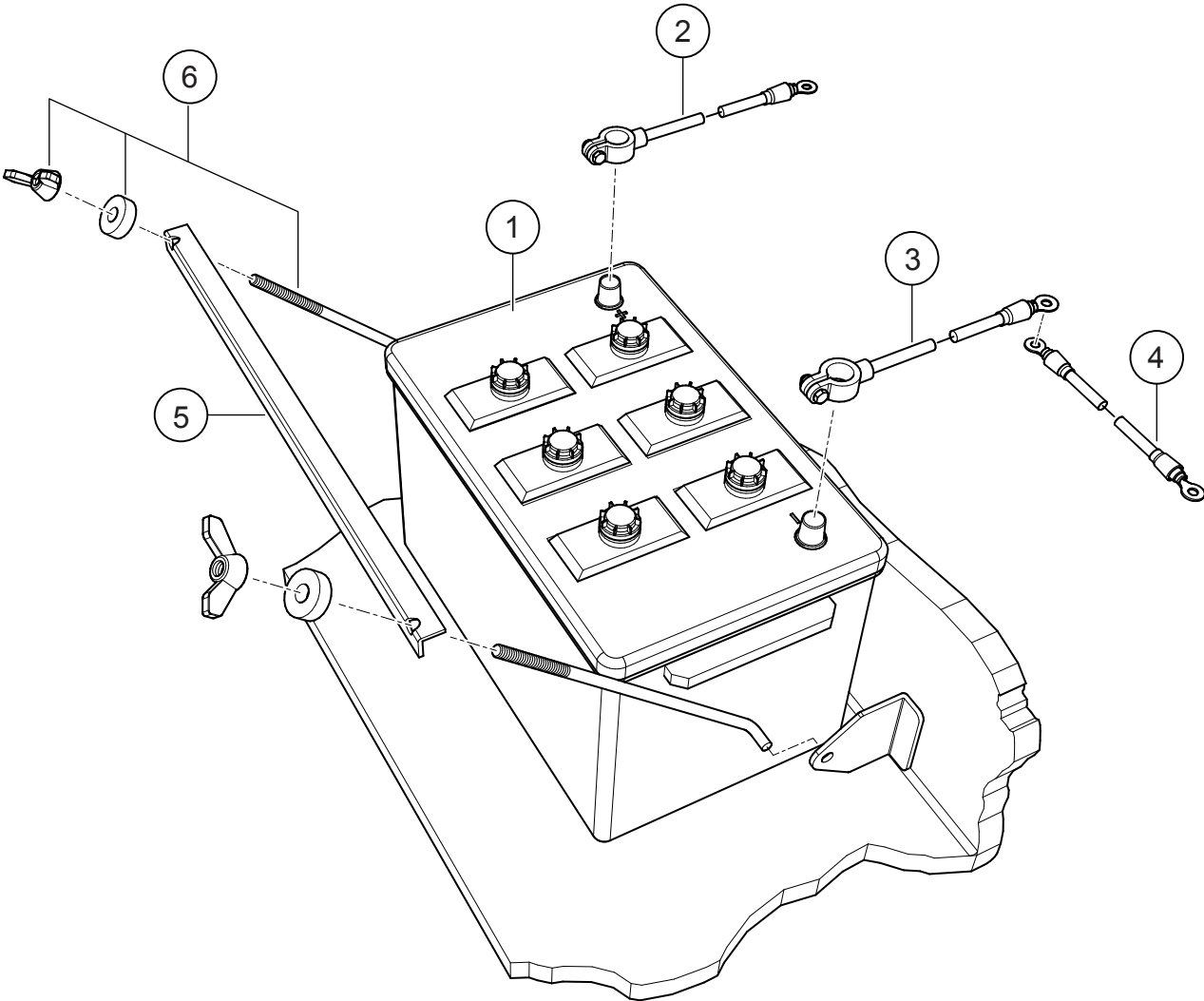
GENERATOR ASSY.



GENERATOR ASSY.

<u>NO.</u>	<u>PART NO.</u>	<u>PART NAME</u>	<u>QTY.</u>	<u>REMARKS</u>
1%	GELT3GRID	REAR SEAL	1	
2%	GELT3LIFTHK	LIFTING HOOK	2	
3%	GELT3CABLEGPG21	PG21 CABLE GLAND AND NUT	1	
5%	GELT3CSBOLTS	COVER STAY BOLT AND NUT	4	
6%	GELT3NDEBRACKET	NON-DRIVE END BRACKET	1	
7%	GELT3110ENCBAND	ENCLOSING BAND	1	
8%	GELT3110STATOR50	WOUND STATOR AND FRAME	1	
9%	GELT3DEBRACKET	DRIVE END BRACKET	1	
10%	6102208193	INTERCHANGEABLE FLANGE	1	
12%	GEECO3DISC65	FLEXIBLE DISC AND RING SPACER	1	
13%	GELT3FAN	FAN	1	
15%	GELT3110ROTOR50	ROTOR ASSY	1	
16%	GEDIO160026	DIODES	2	
17%	GELT3DIOHSINK	HEAT SINK/SUPPORT, ROTATING DIODE BRIDGE	2	
19%	GEBRG6205LL	REAR BEARING 6205-2RS	1	
20	49126	GENERATOR, 50 HZ.....	1INCLUDES ITEMS W/%
21%	29895SCREW	COVER SCREWS, SET OF 3	1	

BATTERY ASSY.

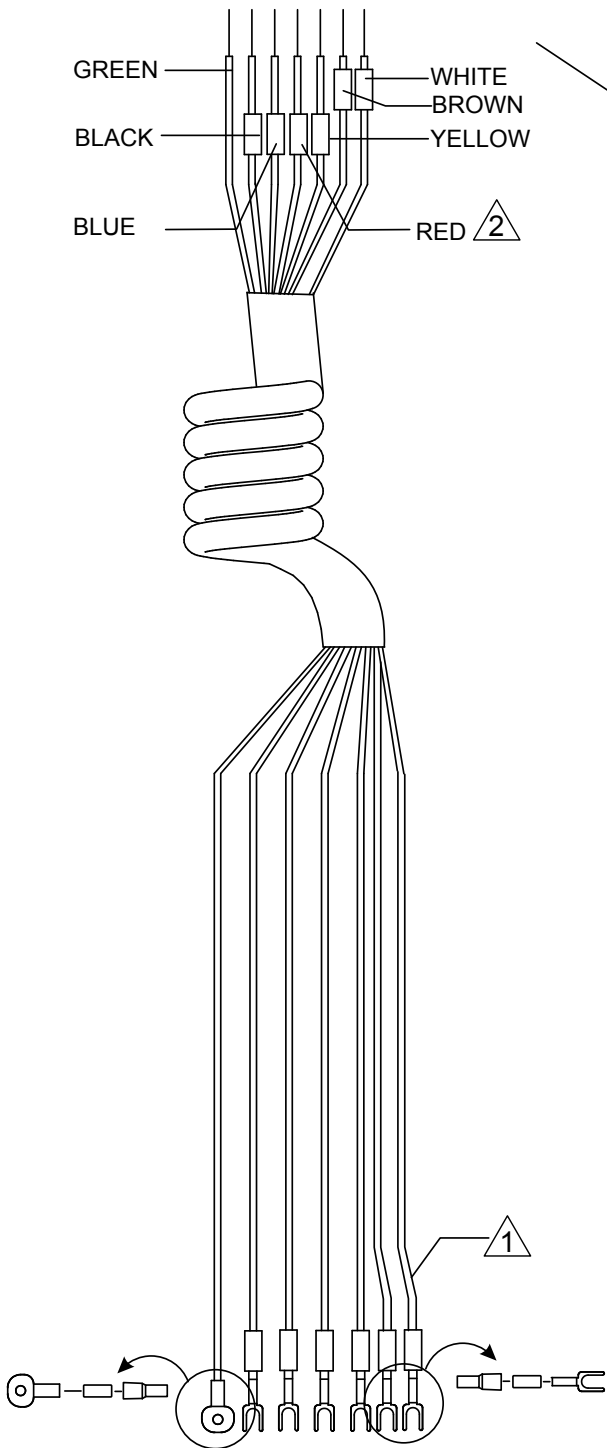


BATTERY ASSY.

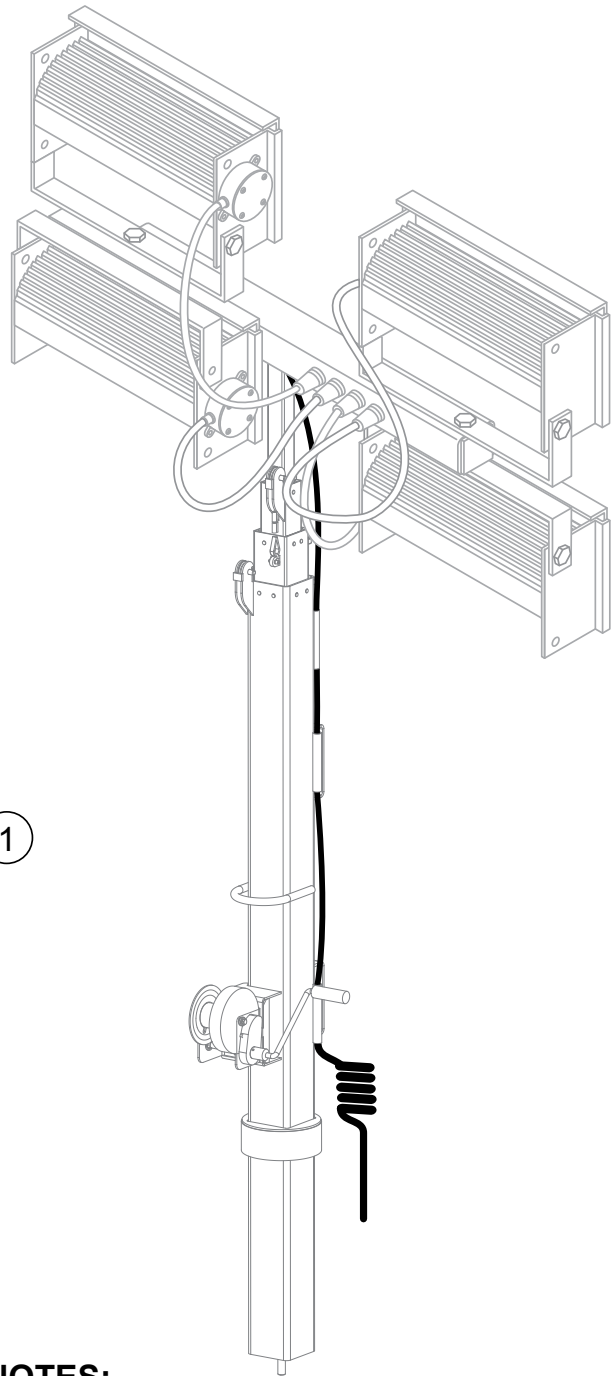
<u>NO.</u>	<u>PART NO.</u>	<u>PART NAME</u>	<u>QTY.</u>	<u>REMARKS</u>
1	10315	BATTERY, 12V GROUP 24 WET	1	
2	34393	CABLE, BATTERY POS 4GA X 48" POST	1	
3	34392	CABLE, BATTERY NEG 6GA X 20" POST	1	
4	34394	CABLE, BATTERY CHASSIS GROUND	1	
5	34759	BATTERY HOLD DOWN	1	
6	34900	BOLT-J, W/ HDWR	2	

COIL CORD ASSY.

CONNECT TO T-BAR ASSEMBLY



CONNECT TO BALLAST
BOX OUTPUT



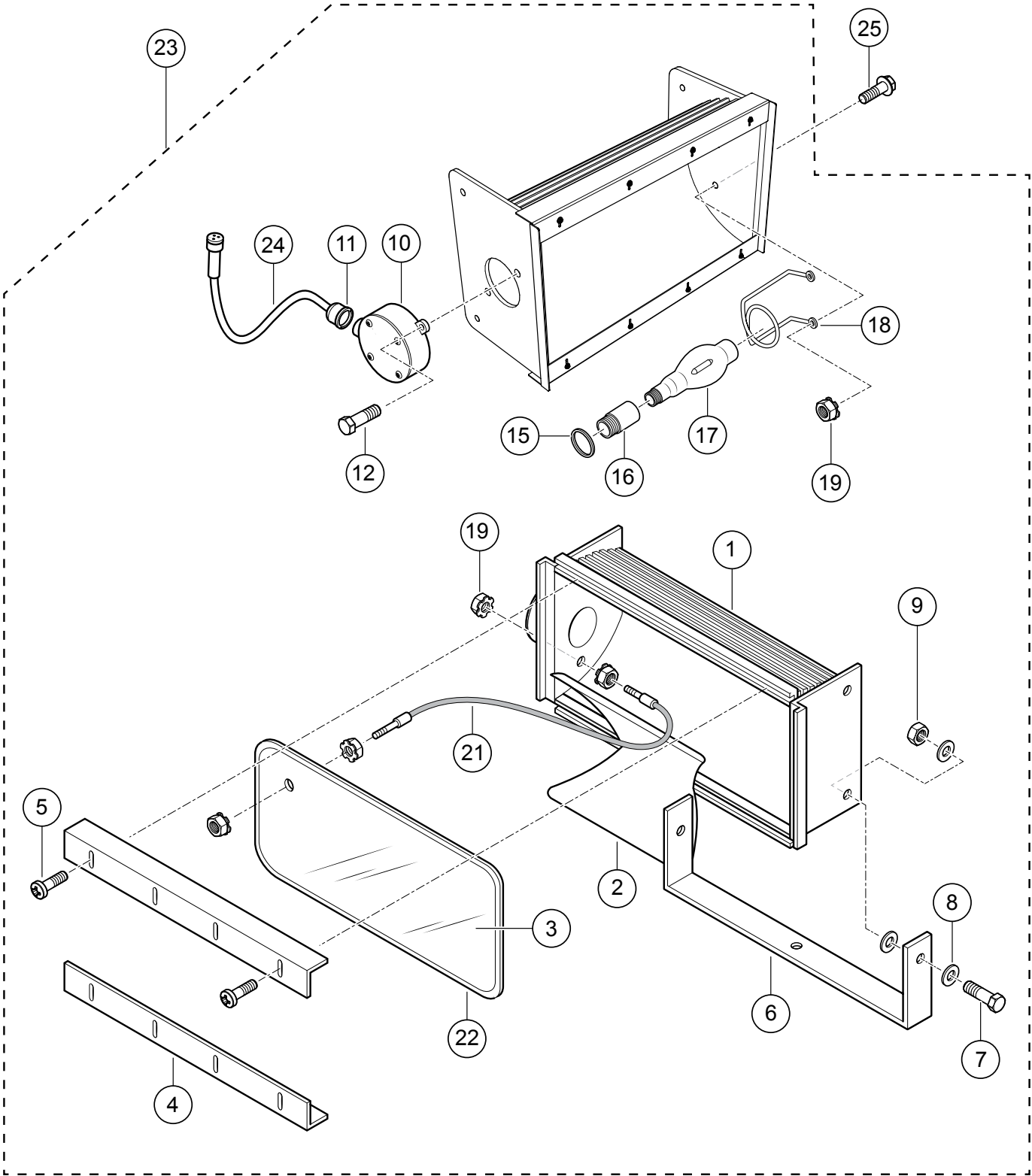
NOTES:

- ① CONNECT THIS END OF COIL CORD ASSY. TO BALLAST BOX. REFERENCE ELECTRICAL SCHEMATIC DIAGRAM IN OPERATION MANUAL.
- ② CONNECT THIS END OF COIL CORD ASSY. TO T-BAR ASSY. REFERENCE ELECTRICAL SCHEMATIC DIAGRAM IN OPERATION MANUAL.

COIL CORD ASSY.

<u>NO.</u>	<u>PART NO.</u>	<u>PART NAME</u>	<u>QTY.</u>	<u>REMARKS</u>
1	34880	COIL CORD ASSY.....	1	INCLUDES ITEMS W/#

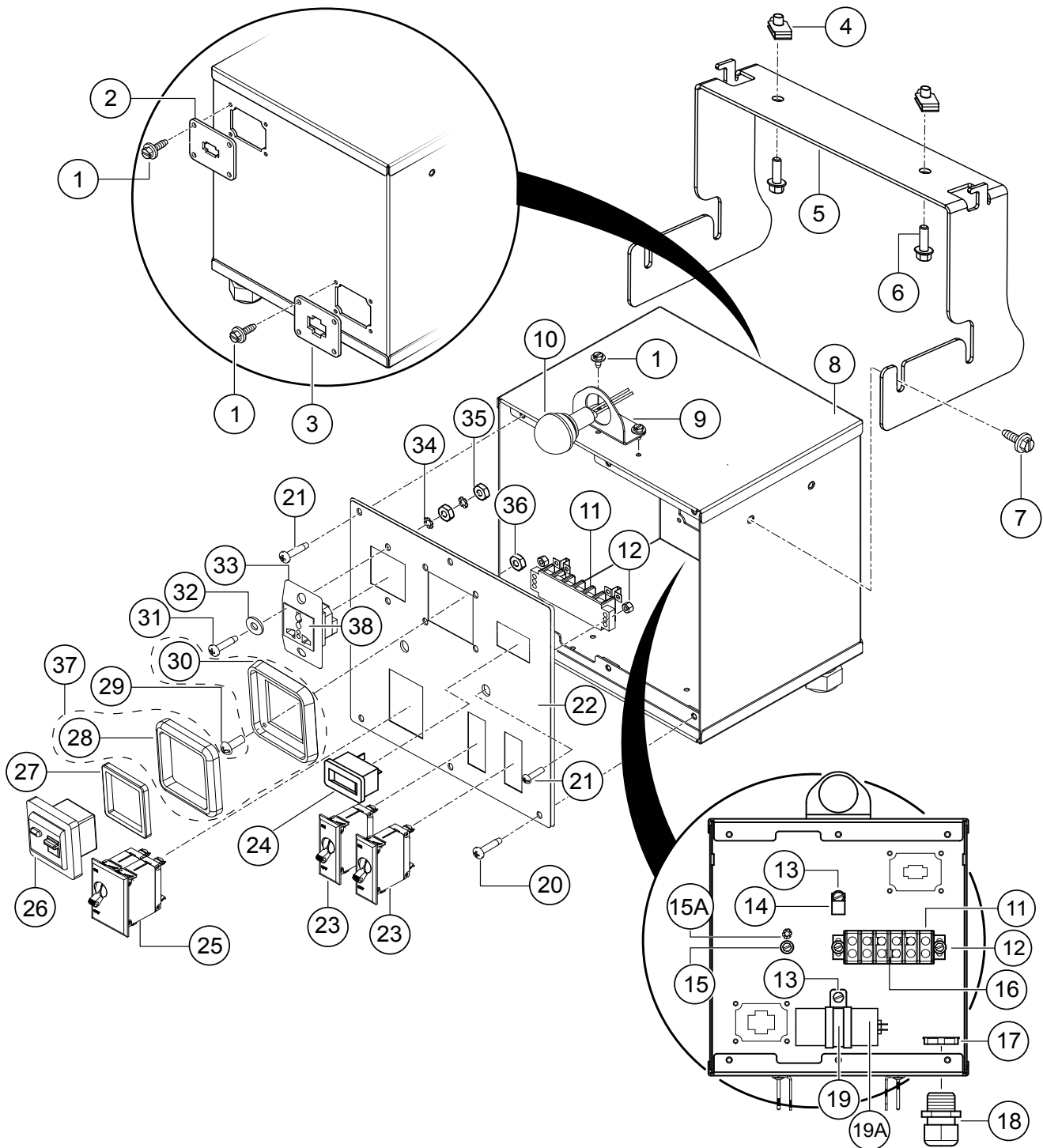
LAMP ASSY.



LAMP ASSY.

<u>NO.</u>	<u>PART NO.</u>	<u>PART NAME</u>	<u>QTY.</u>	<u>REMARKS</u>
1%	20S-REF-1	REF1000 BODY ASSY.	1	
2%	30M-REF-REF	REFLECTOR, ALUMINUM	1	
3%	190ZQREF	REF 1000 LENS	1	
4%	170M-REF-5	REF LENS HOLD DOWN	2	
5%	70Z-FSCR3	SCREW 8-32 X 1/2"	8	
6%	250-REF-6	YOKE, LIGHT FIXTURE	1	
7%	260Z-FSCR9	BOLT, HEX HEAD 1/2-13 x 1-1/2"	2	
8%	280Z-FWFL2	WASHER, FLAT 1/2"	4	
9%	270Z-FNT4	NUT, HEX 1/2-13	2	
10%	Z-C-239	VAPORTITE OCTAGON BOX 1/2" W/4 THREADED PLUGS G9 SILVER	1	
11%	150Z-FSR3	STRAIN RELIEF SRW 1/2" BLACK	1	
12%	Z-FSCR9	BOLT, HEX HD,1/2-13 X 1-1/2" ZN PLT.	2	
15%	90Z-G-102	GASKET, HEX #5 OR #6	1	
16%	70Z-SK65	SOCKET, MOGUL W/GASKET	1	
17%	MVR1000BT37	BULB, LIGHT FIXTURE	1	
18%	50Z-D-REF-SUP	SUPPORT, REF1000 LAMP TIP	1	
19%	230Z-FNTL6-1	KEEPER NUT #8-32	6	
21%	210S-CBL-6	CABLE ASSEMBLY	1	
22%	200ZG106	GASKET, U-CHANNEL REFLECTOR	1	
23	29773	LIGHT FIXTURE ASSY.....	1	INCLUDES ITEMS W/%
24%	150Z-EZ67	POWER CORD, 60" W/ 3-PIN MALE PLUG	1	
25	4106781000	SCREW, 8-32 X 3/8"	2	

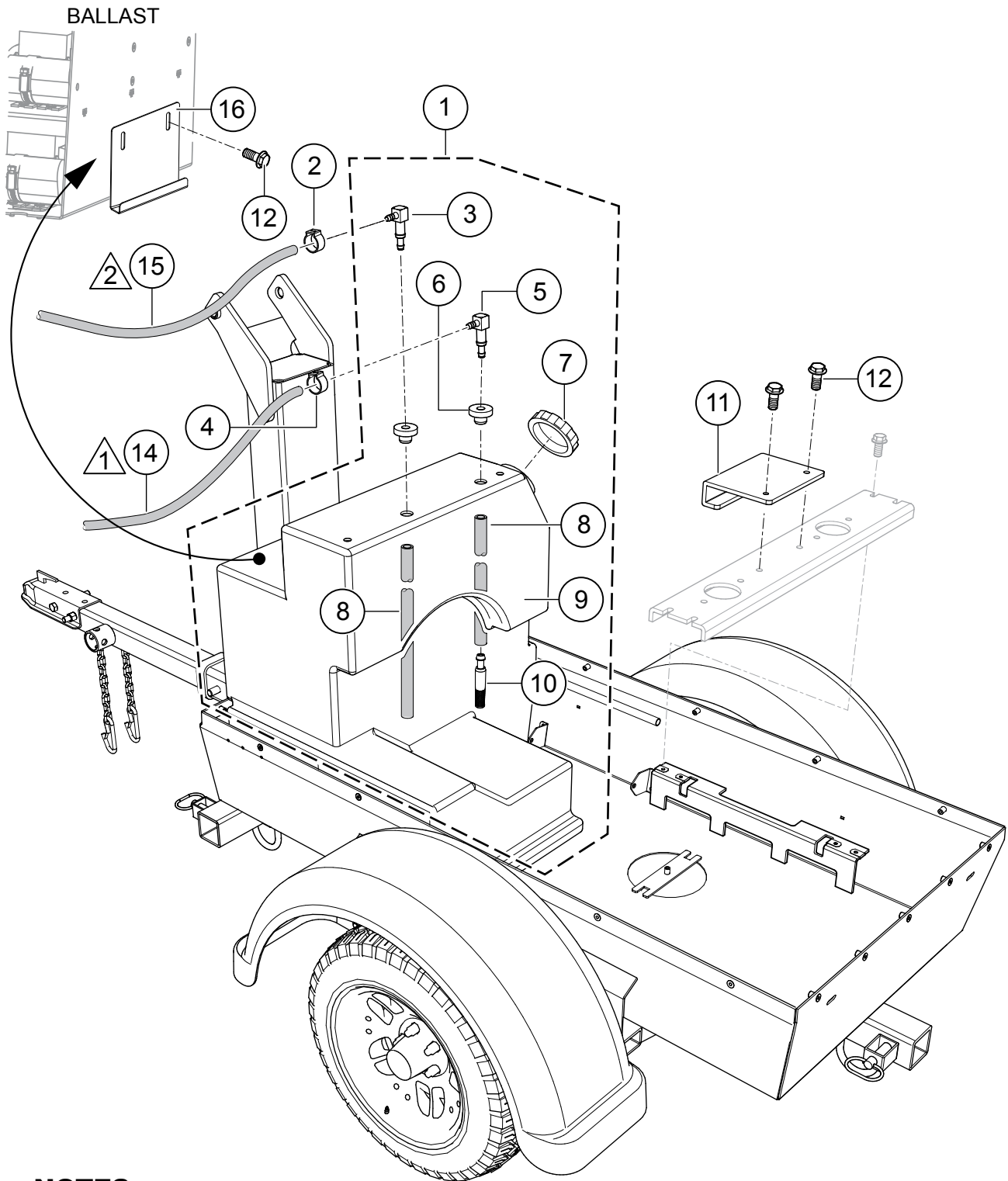
CONTROL PANEL ASSY.



CONTROL PANEL ASSY.

<u>NO.</u>	<u>PART NO.</u>	<u>PART NAME</u>	<u>QTY.</u>	<u>REMARKS</u>
1	34309	SCREW, HHF SLOT #10-32 X 3/8", TYPE F, ZP	10	
2	34328	MOLEX 2 PLC MTG. PLATE	1	
3	34927	MOLEX 6 PLC MTG. PLATE	1	
4	11534	NUT, "U" TYPE, 1/4-20	2	
5	34758	BRACKET, CONTROL BOX MOUNTING	1	
6	49048	SCREW, HHFS 1/4-20 X 3/4" GRD5	2	
7	34307	SCREW, HHF SLOT, 1/4-20 X 5/8", TYPE 23, ZP	4	
8	34167	CONTROL BOX W/A, LIGHT TOWER	1	
9	34358	MOUNT, COURTESY LAMP	1	
10	34347	LAMP, COMPACT COURTESY, 2 WIRE	1	
11	34804	TERMINAL STRIP, 6 GANG, 2 ROW #10	1	
12	10019	NUT NYLOC #10-32	2	
13	34310	SCREW, HHF 1/4-20 X 3/8", TYPE 23, ZP	2	
14	11505	CLAMP, HOSE SUPT. 1/2" L	1	
15	34305	SCREW, HHF SLOT #10-32 X 3/8", TYPE F, GRN ZN	1	
15A	10237	WASHER, EXT. SHKP, #10	1	
16	34833	JUMPER, T8345 TERMINAL BLOCK, #10 SCREW	1	
17	26560	NUT, LOCKING 3/4 PT	1	
18	29655	CORDGRIP, LIQUID TIGHT, 3/4 NPT	1	
19	59017	CLAMP, CUSH. LOOP, 2.16" DIA X .53"	1	
19A	59018	EXCITATION CAPACITOR, 50HZ, 35 mF	1	
20	34306	SCREW, PHP #10-32 X 5/8", TYPE F, ZP	6	
21	8133	SCREW, PHP 10-32 X 3/4"	2	
22	34786	CONTROL PANEL	1	
23	34098	CIRCUIT BREAKER, 15A	2	
24	29640	HOUR METER, SENDEC RECT FLUSH MOUNT	1	
25	34096	CIRCUIT BREAKER, 30A	1	
26	34846	BREAKER, GFCI, 230V, 50HZ	1	
27	34848	COVER FRAME, 230V GFCI BREAKER	1	
28	34847B	COVER FRAME, GFCI BREAKER	1	
29	19298	SCREW, PHP 6-32 X 3/8	4	
30	34847A	MOUNT FRAME, GFCI BREAKER	1	
31	15175	SCREW, PAN HEAD 8-32 X 3/4	2	
32	15173	WASHER, FLAT, #8	2	
33	34838	MOUNT PLATE, 50 HZ RECEPTACLE	1	
34	10114	WASHER, EXT. SHKP, #8	3	
35	16723	NUT, HEX FIN 8-32	3	
36	11152	NUT, NYLOC 6-32	4	
37	34847	FRAME, PANEL MOUNT	1	
38	34839	RECEPTACLE, 50HZ, UNIVERSAL	1	

FUEL TANK, HOSES AND MOUNTING ASSY.



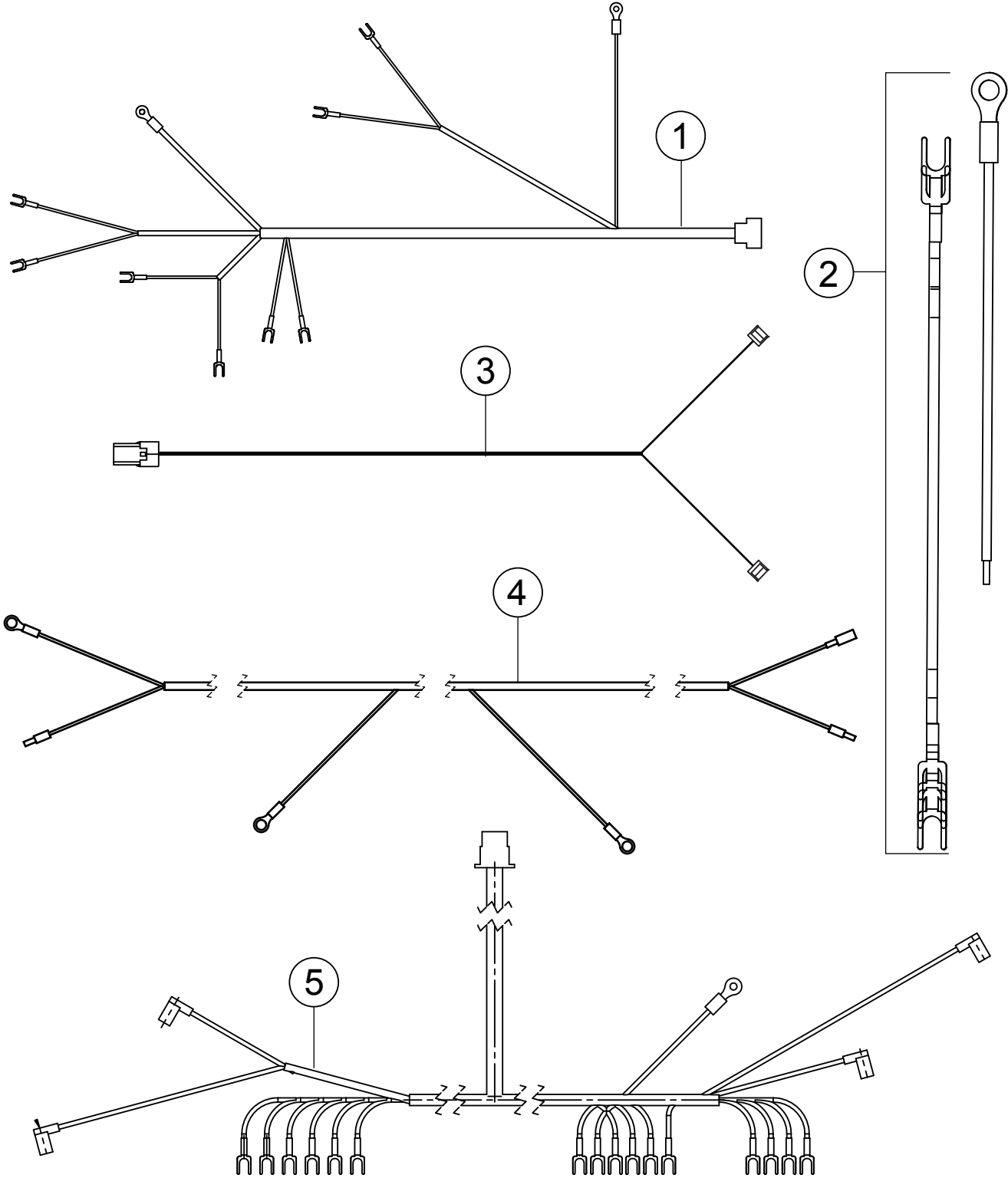
NOTES:

- ① CONNECTS TO FUEL PUMP **SUCTION SIDE**
- ② CONNECTS TO **FUEL RETURN**

FUEL TANK, HOSES AND MOUNTING ASSY.

<u>NO.</u>	<u>PART NO.</u>	<u>PART NAME</u>	<u>QTY.</u>	<u>REMARKS</u>
1	34738	FUEL TANK ASSY.....	1.....	INCLUDES ITEMS W/\$
2	22066	CLAMP, STEPLESS EAR 3/16" HOSE	1	
3\$	12007	FITTING, 90° 4SBARB X 6-4SBARB	1	
4	22067	CLAMP, STEPLESS EAR 1/4" HOSE	1	
5\$	12006	FITTING, 90° 3MBARB X 6-4SBARB	1	
6\$	19633	BUSHING, RUBBER FUEL	2	
7\$	29694	CAP, FUEL W/LANYARD, KELCH 3-1/2"	1	
8\$	60058	HOSE, .25 YELLOW PVC, 30" L EACH.....	5.....	1PC = 1FT
9\$	34719	TANK, FUEL	1	
10\$	12009	FILTER, IN-TANK	1	
11	34716	BRACKET, FUEL TANK, LOWER	1	
12	49048	SCREW, HHFS 1/4-20 X 3/4" GRD5	4	
14	60013	HOSE, FUEL Ø.250 LOW PERM 50 PSI	3.....	1PC = 1FT
15	60004	HOSE, FUEL Ø.1875 LOW PERM 50 PSI 5.5'..	6.....	1PC = 1FT
16	34836	BRACKET, FUEL TANK, UPPER	1	

HARNASS ASSY.



HARNESS ASSY.

<u>NO.</u>	<u>PART NO.</u>	<u>PART NAME</u>	<u>QTY.</u>	<u>REMARKS</u>
1	34870	HARNESS, LT6K5 A/C CONTROLS	1	
2	34869	KIT, LT6K5 AC JUMPER WIRES	1	
3	34381	HARNESS, HR METER, INT, LT6D	1	
4	34799	HARNESS, COURTESY LIGHT	1	
5	34835	HARNESS, BALLAST	1	