

COMPRESSOR

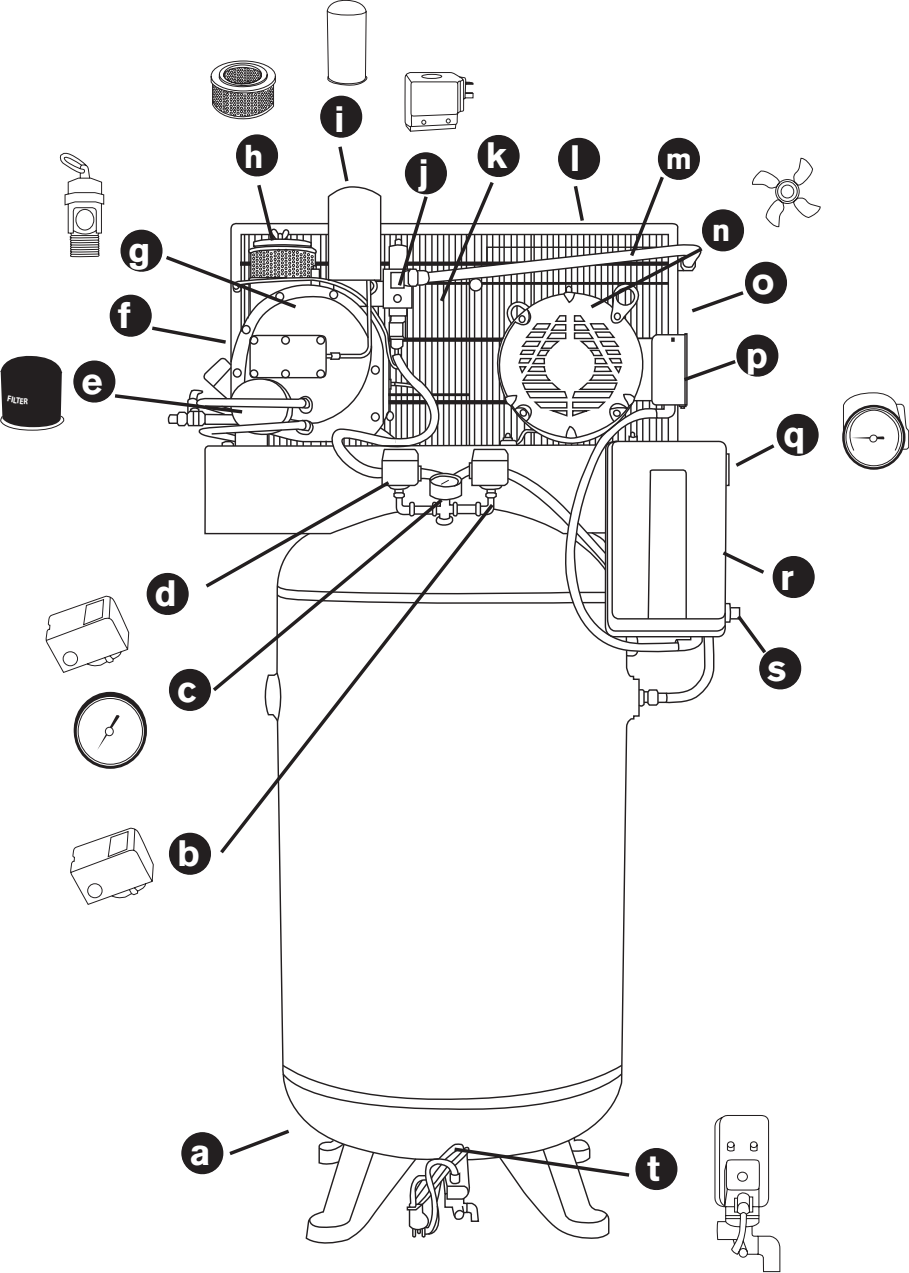
OPERATION MANUAL

Model #
AC7580B
AC7580B3
AC7580S
AC7580S3
AC1080S
AC1080SQ

CAUTION READ THIS MANUAL CAREFULLY before operating or servicing this air compressor, to familiarize yourself with the proper safety, operation, and standard operating procedures of this unit. **FAILURE TO COMPLY WITH INSTRUCTIONS IN THIS MANUAL COULD RESULT IN THE VOIDING OF YOUR WARRANTY, AND PERSONAL INJURY, AND/OR PROPERTY DAMAGE. THE MANUFACTURER OF THIS AIR COMPRESSOR WILL NOT BE LIABLE FOR ANY DAMAGE BECAUSE OF FAILURE TO FOLLOW THE INSTRUCTIONS IN THIS MANUAL.**

By following the instructions and recommendations in this manual you will ensure a longer and safer service life of your air compressor.

Compressor Breakdown



5 HP open parts

Description

A	80 gallon tank
B	On/Off Switch
C	Oil Temp Switch/Gauge
D	Oil filter
E	5hp Airend
F	Pump Safety Valve 200 PSI
G	Belt guard
H	Air/Oil after cooler
I	Intake filter
J	Separator
K	Magnetic starter
L	Belt
M	Motor Pulley
N	Fan
O	5hp Electric Motor
P	Pressure gauge
Q	Tank Safety Valve
R	Electronic Tank Drain (110volt)

Part Number

A	IAT-300559 (VERT) IAT-300569 (HORZ)
B	IAT-ZB4-BD2 & IAT-ZB4-B2101
C	IAT-20TE2504
D	IAT-R-9206
E	IAT-NK30 (SEE AIREND DIAGRAM)
F	IAT-ST25-200
G	IAT-BG5X18X32
H	IAT-R-14366
I	IAT-R-9213
J	IAT-R-12476
K	IAT-8911DPSG53V09 (3PHASE) IAT-8911DPSG52V09 (1PHASE)
L	IAT-3VX530
M	IAT-2-3V8.00
N	IAT-RF12-11/8
O	IAT-EM3218T (3PHASE) IAT-L1430T (1PHASE)
P	IAT-PSB20
Q	IAT-ST25-200
R	IAT-ET20M21T2B

7.5 HP open parts

Description

A	80 gallon tank
B	On/Off Switch
C	Oil Temp Switch/Gauge
D	Oil filter
E	5hp Airend
F	Pump Safety Valve 200 PSI
G	Belt guard
H	Air/Oil after cooler
I	Intake filter
J	Separator
K	Magnetic starter
L	Belt
M	Motor Pulley
N	Fan
O	7.5hp Electric Motor
P	Pressure gauge
Q	Tank Safety Valve
R	Electronic Tank Drain (110volt)

Part Number

A	IAT-300559 (VERT) IAT-300569 (HORZ)
B	IAT-ZB4-BD2 & IAT-ZB4-B2101
C	IAT-20TE2504
D	IAT-R-9206
E	IAT-NK30 (SEE AIREND DIAGRAM)
F	IAT-ST25-200
G	IAT-BG5X18X32
H	IAT-R-14366
I	IAT-R-9213
J	IAT-R-12476
K	IAT-8911DPSG53V09 (3PHASE) IAT-8911DPSG52V09 (1PHASE)
L	IAT-3VX530
M	IAT-2-3V8.00
N	IAT-RF12-11/8
O	IAT-EM3311T (3PHASE) IAT-L1510T (1PHASE)
P	IAT-PSB20
Q	IAT-ST25-200
R	IAT-ET20M21T2B

10 HP open parts

Description

A	80 gallon tank
B	On/Off Switch
C	Oil Temp Switch/Gauge
D	Oil filter
E	5hp Airend
F	Pump Safety Valve 200 PSI
G	Belt guard
H	Air/Oil after cooler
I	Intake filter
J	Separator
K	Magnetic starter
L	Belt
M	Motor Pulley
N	Fan
O	10hp Electric Motor
P	Pressure gauge
Q	Tank Safety Valve
R	Electronic Tank Drain (110volt)

Part Number

A	IAT-300559 (VERT) IAT-300569 (HORZ)
B	IAT-ZB4-BD2 & IAT-ZB4-B2101
C	IAT-20TE2504
D	IAT-R-9206
E	IAT-NK30 (SEE AIREND DIAGRAM)
F	IAT-ST25-200
G	IAT-BG5X18X32
H	IAT-R-14366
I	IAT-R-9213
J	IAT-R-12476
K	IAT-8911DPSG53V09 (3PHASE) IAT-8911DPSG52V09 (1PHASE)
L	IAT-3VX530
M	IAT-2-3V8.00
N	IAT-RF12-11/8
O	IAT-EM3313T 10hp (3PHASE) IAT-L1512T 10hp (1PHASE)
P	IAT-PSB20
Q	IAT-ST25-200
R	IAT-ET20M21T2B