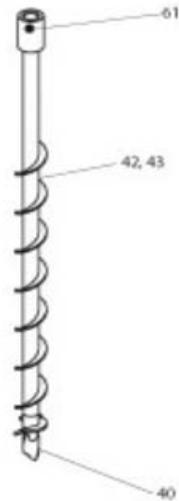


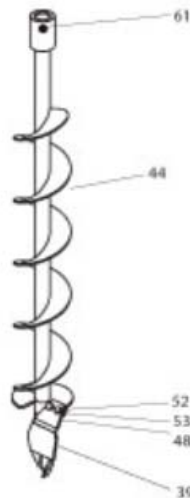
9800B™ EARTH AUGER POWERHEAD WITH BRIGGS & STRATTON® ENGINE (MODEL YEAR 2011)

AUGER ASSEMBLY

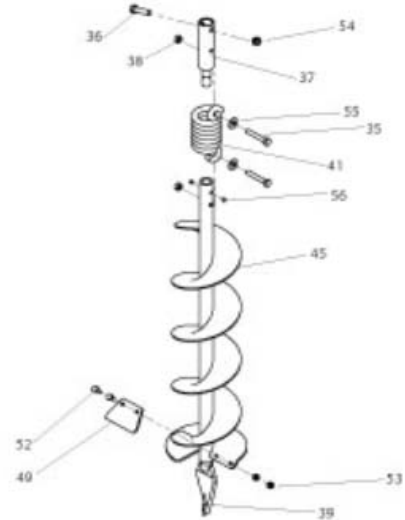
EA2F, EA3F



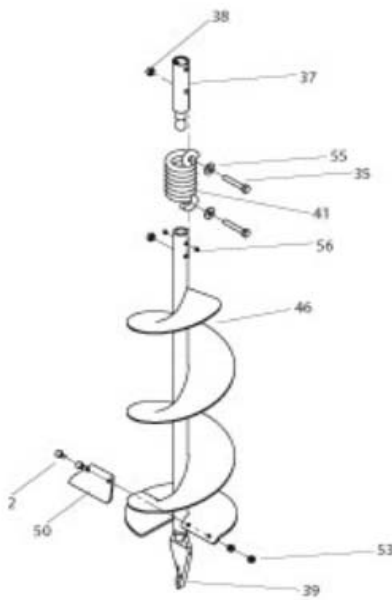
EA4F



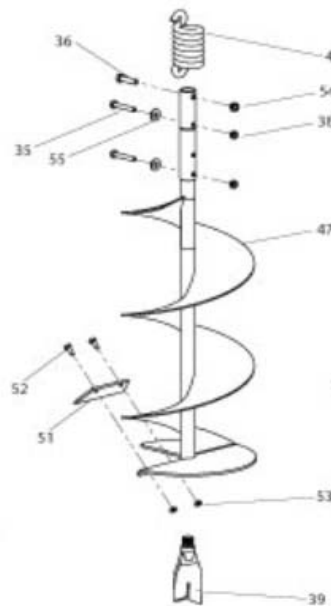
EA6F



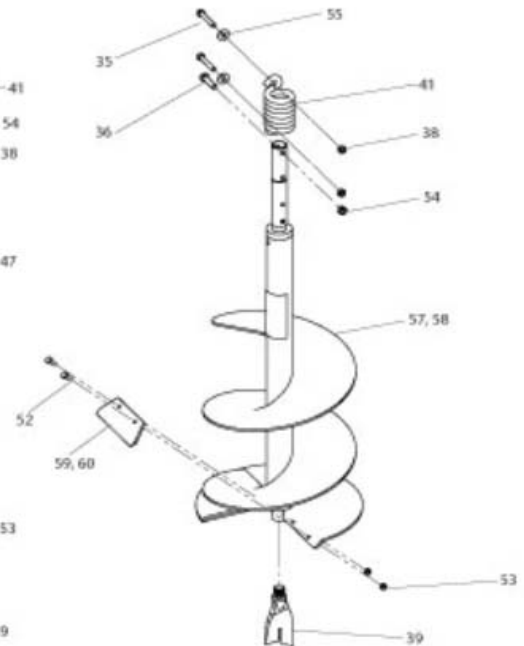
EA8F



EA10F

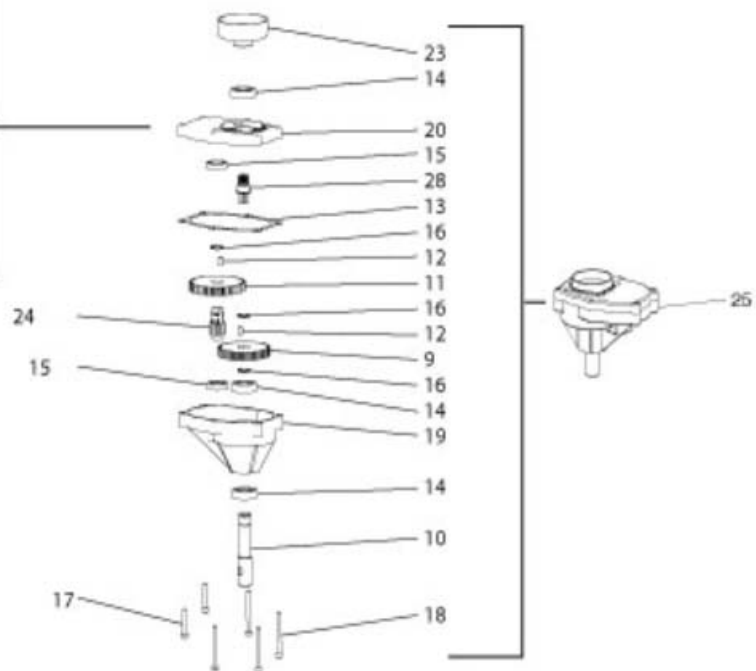
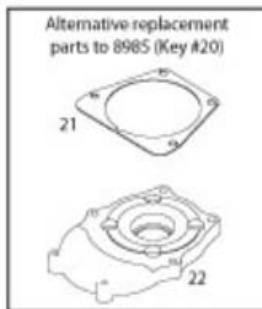
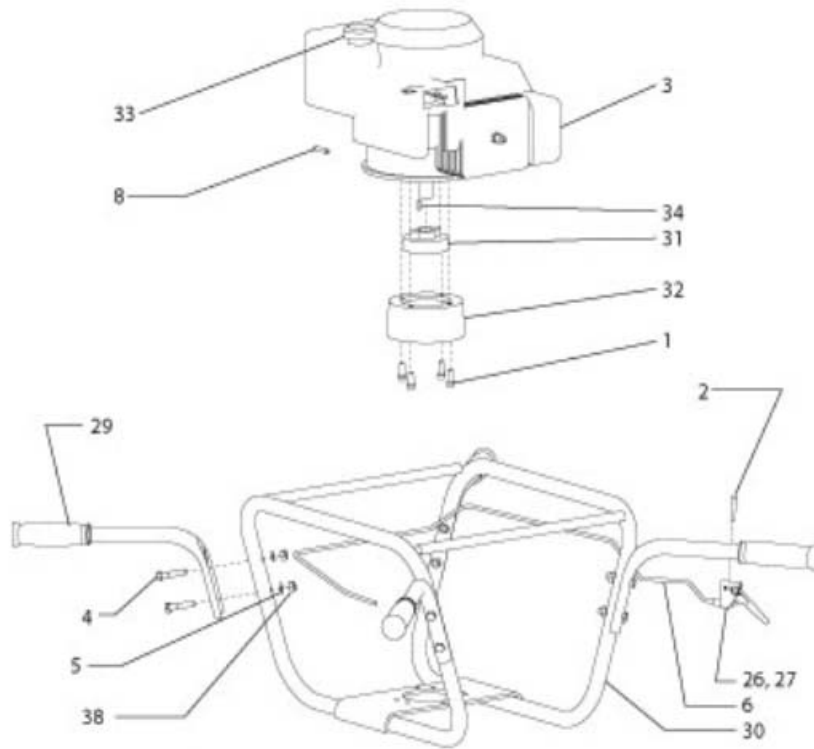


EA12F, EA14F



Key No.	Part No.	Description
39	60G56	60G56 NUT 5/16-18 IN HLKBW GR5 ZN
40	8970	8970 POINT EARTH 2 INCH AND 3 INCH AUGERS
41	8980	8980 SHOCK SPRING EARTH
42	EA2F	EA2F EARTH AUGER 2 INCH REPL FT RH RED
43	EA3F	EA3F EARTH AUGER 3 INCH REPL FT RH RED
44	EA4F	EA4F EARTH AUGER 4 INCH REPL FT RH RED
45	EA6F	EA6F EARTH AUGER 6 INCH REPL FT RH RED
46	EA8F	EA8F EARTH AUGER 8 INCH REPL FT RH RED
47	EA10F	EA10F EARTH AUGER 10 INCH REPL FT RH RED
48	EB4	EB4 EARTH BLADE 4 IN W/HARDWARE
49	EB6	EB6 EARTH BLADE 6 IN W/HARDWARE
50	EB8	EB8 EARTH BLADE 8 IN W/HARDWARE
51	EB10	EB10 EARTH BLADE 10 IN WITH HARDWARE
52	EBOLT	EBOLT BOLT 1/4-28X5/8 IN HH GR5 ZN F-T
53	ENUT	ENUT NUT 1/4-28X7/32 IN HBW GR5 ZN
54	2104	2104 NUT 3/8-16 IN HLKBW GR5 ZN
55	WF516	WF516 WASHER 5/16X7/8X5/64 IN GR8 ZN
56	715	715 SET SCREW 1/4-20X1/4 IN SCPC CL45H BLK OX
57	EA12F	EA12F EARTH AUGER 12 INCH REPL FT RH RED
58	EA14F	EA14F EARTH AUGER 14 INCH REPL FT RH RED
59	EB12	EB12 EARTH BLADE 12 IN W/HARDWARE
60	EB14	EB14 EARTH BLADE 14 IN W/HARDWARE
61	8955	8955 BOLT 3/8-16 X 1-1/4 SHCS GR8 BLK ZN F-T
62	EXT12	EXT12 EXTENSION DEPTH 12 IN 7/8 CONNECTION
63	EXT18	EXT18 EXTENSION DEPTH 18 IN 7/8 CONNECTION
64	EB6HD	EB6HD EARTH BLADE 6 IN HEAVY DUTY W/HARDWARE
65	EB8HD	EB8HD EARTH BLADE 8 IN HEAVY DUTY W/HARDWARE
66	EB10HD	EB10HD EARTH BLADE 10 IN HEAVY DUTY W/HARDWARE
67	9811	9811 SWITCH ON/OFF 9800 LEV-115

POWERHEAD & TRANSMISSION ASSEMBLY



Key No.	Part No.	Description
1	420	420 BOLT 5/16-24 X 3/4IN 12PTF GR2 BLKZN F-T
2	4814	4814 BOLT 10-24X1-1/4 IN PTHMS GR5 ZN F-T
3	513	513 ENGINE 675 SERIES QUANTUM
4	503	503 BOLT 5/16-18 X 1-1/2 HH GR5 ZN F-T
5	504	504 WASHER 5/16X0.583X0.078 IN SPRLK ZN
6	53627	53627 CABLE THROTTLE 43.50 9800B
8	63124	63124 SPRING EXTENSION FOR 9800 THROTTLE
9	8912	8912 GEAR 44T 14 T/IN 20° PA 3/4 IN ID
10	8913	8913 SHAFT OUTPUT 7/8 IN
11	8914	8914 GEAR 48T 14 T/IN 20° PA 3/4 ID HARD
12	8915	8915 DOWEL PIN STEEL 1/4 IN X 1/2 IN
13	8919	8919 GASKET POWERHEAD TRANSMISSION
14	8922	8922 BEARING BALL R12 DOUBLE LIP SEALED 3/4
15	8923	8923 BEARING BALL R10 OPEN 5/8 IN ID
16	8924	8924 RING RETAINING EXTERNAL 3/4 INCH
17	8929	8929 BOLT 1/4-20 X 1-1/2 SHCS GR8 BLK ZN F-T
18	8935	8935 BOLT 1/4-20X2-1/2 IN SHCS GR5 BLK OX
19	8939	8939 CASE GEAR BOX LOWER HALF
20	8985	8985 GEAR CASE UPPER HALF UNPAINTED
21	3004149	3004149 SHIM 9800 TRANSMISSION TOP
22	3004111	3004111 GEAR CASE TOP 43/51CC HP ENGINE
23	9018	9018 CLUTCH DRUM 3 IN THREADED SHORT
24	9214A	9214A PINION 10T 14 T/IN 20° PA 3/4 OD
25	9800BTRANKIT	9800BTRANKIT KIT TRANSMISSION 30:1 W/ CLUTCH AND SHIM
26	9801	9801 CABLE THROTTLE W/TRIGGER .84 IN THROW
27	4819	4819 ASSEMBLY TRIGGER LONG THROW
28	9814	9814 GEAR PINION 7T 20PA 5/8-18 RH THREADED
29	9827	9827 HANDLE W/THROTTLE HOLE & 9211 GRIP 9800B
30	9819	9819 HANDLEBAR FRAME WELDMENT 9800B
31	9825	9825 ROTOR CENTRIFUGAL CLUTCH COMPLETE
32	9837A	9837A MOUNT RING COMPLETE 9800
33	9842	9842 GAS CAP BRIGGS 9800B
34	WK6	WK6 KEY WOODRUFF 5/32 X 5/8 IN ZN
35	1423	1423 BOLT 5/16-18X2 IN HHCS GR5 ZN P-T
36	1433	1433 BOLT 3/8-16X1-1/2 IN HHCS GR5 ZN P-T
37	53684	53684 SHOCK TOP 1-PC 11/05
38	60G56	60G56 NUT 5/16-18 IN HLKBW GR5 ZN
68	GCV160	GCV160 ENGINE 4.4 HP HONDA VERT SHAFT
69	9805A	9805A THROTTLE CONTROL CABLE 9800 TEC
70	98005	98005 KIT TRANSMISSION 30:1 9800H