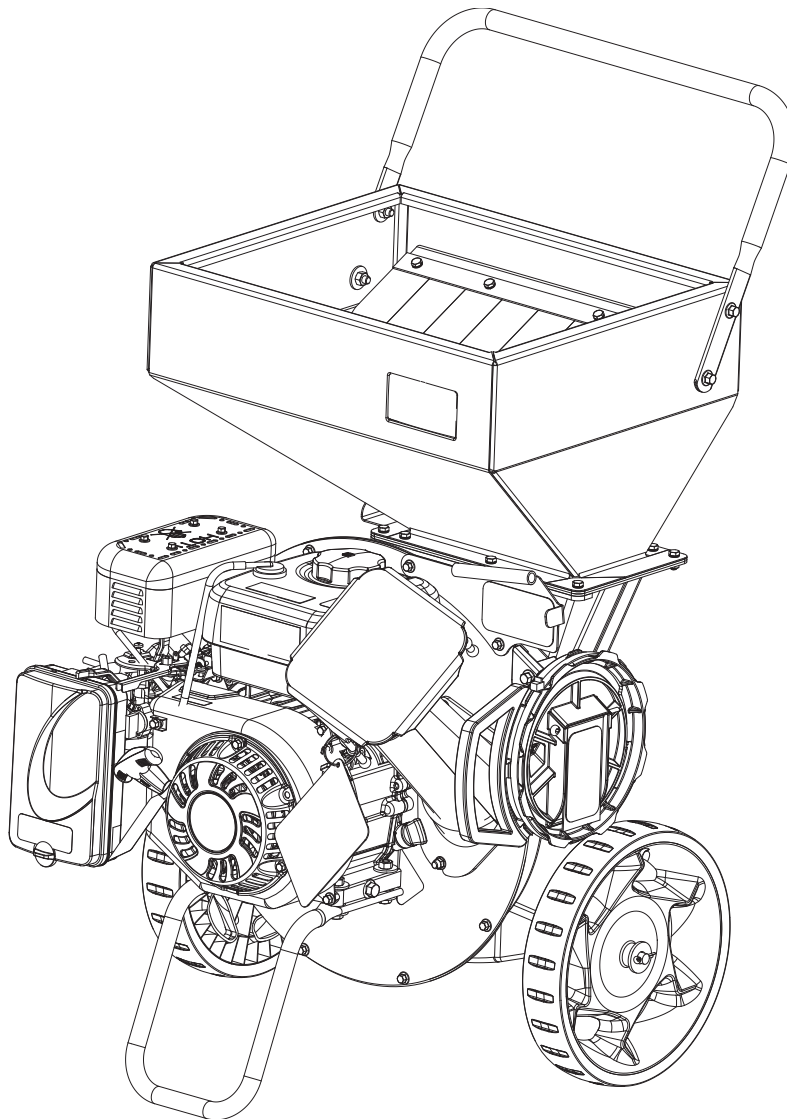


# **Torzz**<sup>TM</sup>

*Chipper Shredders*

Operator's Manual  
Original Operating Instructions  
**Chipper Shredders**

SN



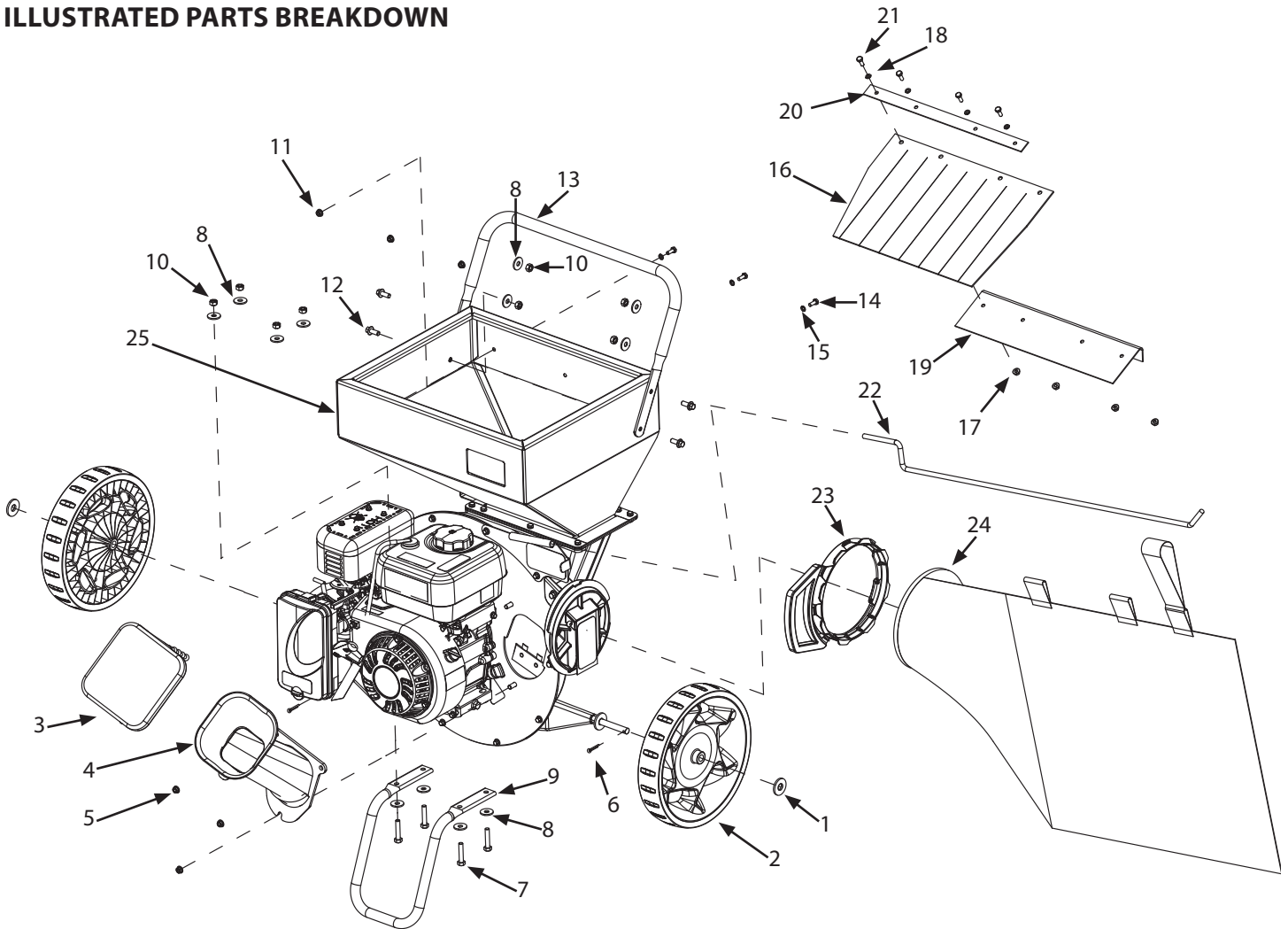
**Includes Model Numbers:**

- 18493 (Viper 212cc)
- 22752 (Viper 301cc)
- 22753 (Briggs & Stratton 205cc)
- 22754 (Kohler 196cc)



P/N: 27313  
ECN: 11452  
REV1: 12/15/16  
© 2016 Ardisam, Inc.  
All Rights Reserved

**ILLUSTRATED PARTS BREAKDOWN**

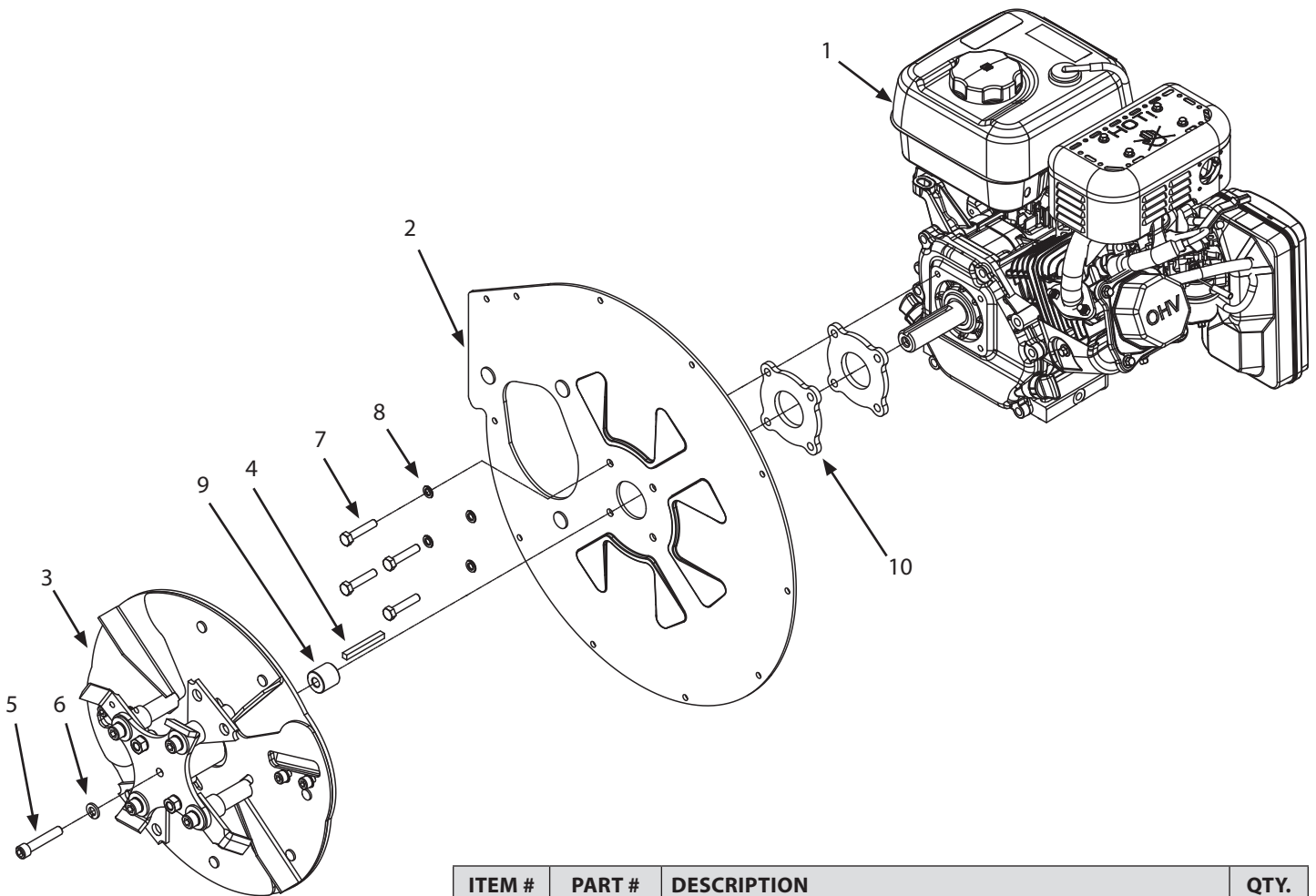


ITEM #	PART #	DESCRIPTION	QTY.
1	50175	WASHER 12MM TILLER	2
2	22243	CHIPPER WHEEL 11X 2	2
3	22245	CONE COVER	1
4	21930	WELDMENT CHIPPER CONE	1
5	16400	NUT M8 X 1.25 HSF NYLOC GR8.8 ZN	8
6	22097	COTTER PIN HAIRPIN 2MM X 50MM	2
7	12770	M8 X 1.25 X 40 MM 88 ZN	4
8	20143	WASHER M8 X 16 X 1.6 FLAT ZN	12
9	22093	KICKSTAND CHIPPER	1
10	W1256V0900	NUT M8 X 1.25 HNYLK GR8.8 ZN	8
11	14109	NUT M6 X 1.0 HHFNLYK GR8.8 ZN	3
12	20818	BOLT M8 X 1.25 X 16 HHSF GR8.8 ZN	4
13	21904	HANDLEBAR CHIPPER	1

ITEM #	PART #	DESCRIPTION	QTY.
14	670890	BOLT M6 X 1.0 X 16 HH GR8.8 ZN	3
15	18130	WASHER M6 X 1.5 SPRCLK ZN	3
16	1095100	GUARD HOPPER 10.25 X 1.00 X 0.10 BLACK	1
17	14109	NUT M6 X 1.0 HHFNLYK GR8.8 ZN	4
18	18130	WASHER M6 X 1.5 SPRLCK ZN	4
19	22091	FLANGE HOPPER GUARD	1
20	22110	RETAINER HOPPER GUARD	1
21	67089	BOLT M6 X 1.0 X 16 HH GR 8.8 ZN	4
22	21942	ROD BAG SUPPORT	1
23	21932	CONNECTOR BAG	1
24	22029	BAG CHIPPER 840MM X 560MM	2
25*	-	CHIPPER ASSEMBLY	-

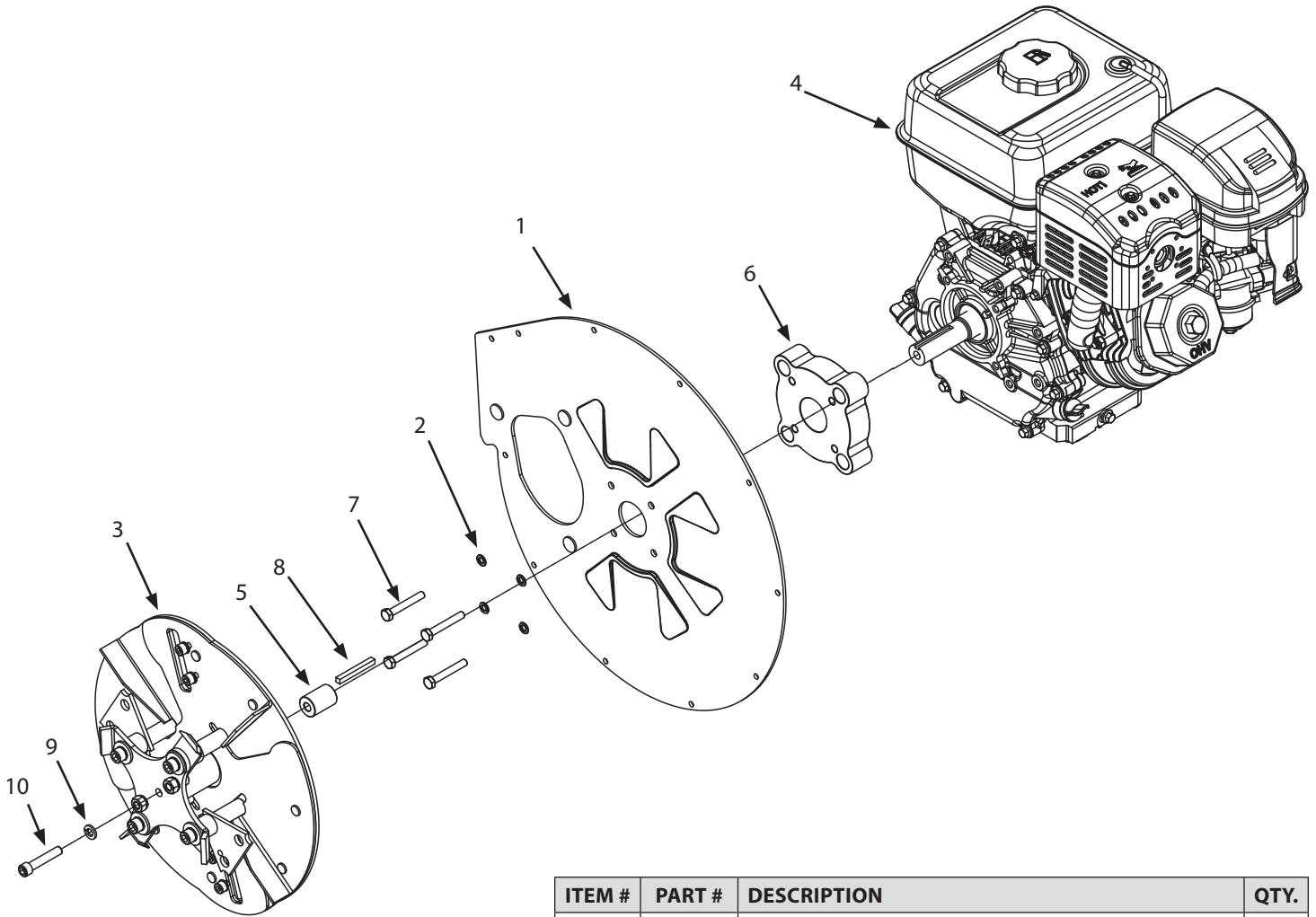
\*Item shown for illustrative purposes only.

**ILLUSTRATED PARTS BREAKDOWN - ENGINE AND ROTOR GROUP (MODEL 18493)**



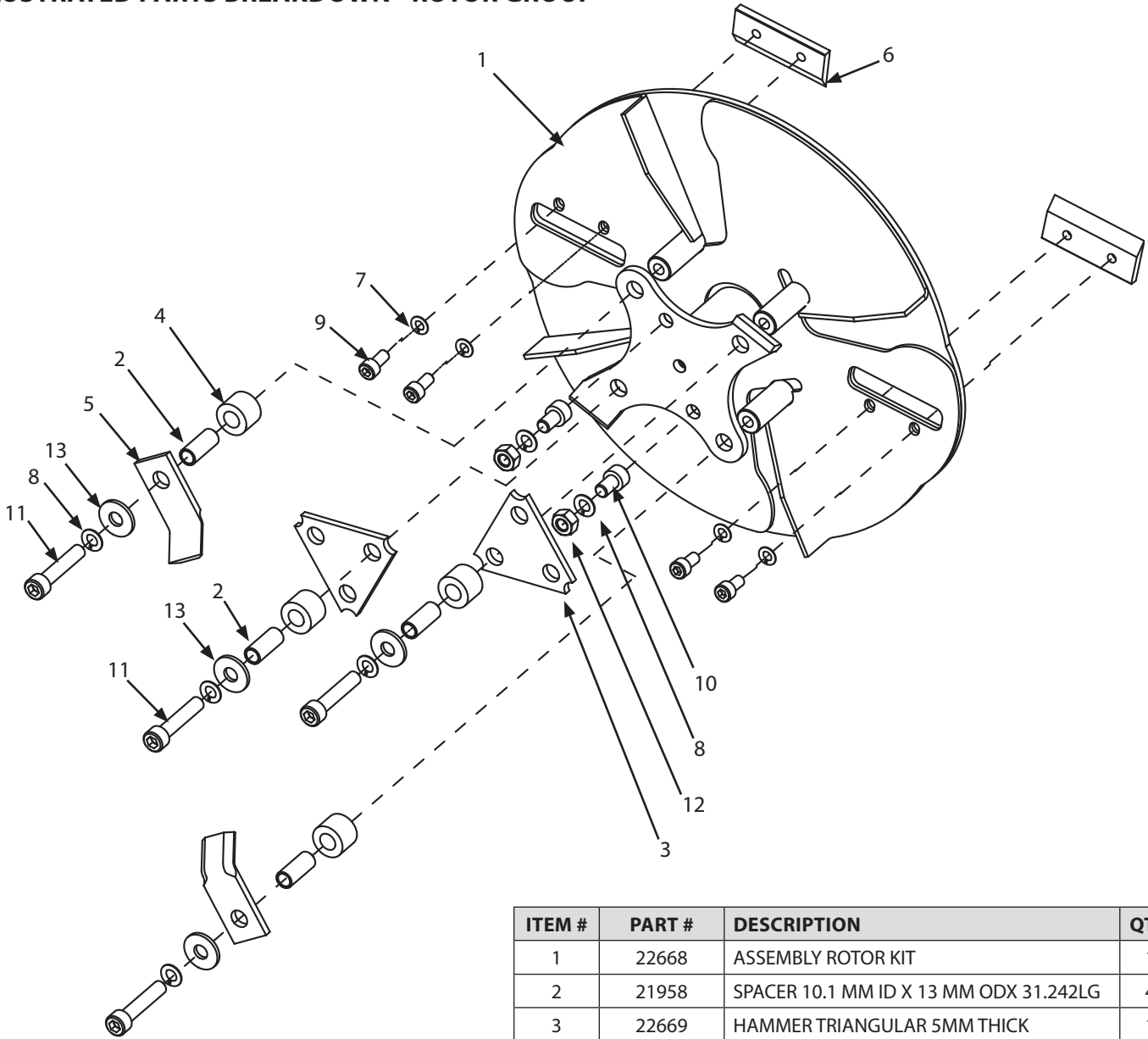
ITEM #	PART #	DESCRIPTION	QTY.
1	13434	ENGINE HRZ 1 IN SHAFT 212CC VPR R210 EPA3 (18493)	1
	—	ENGINE 6 HP BRIGGS INTEK HORZ SHAFT (22753)	1
	—	KOHLER 196CC RH265 (22754)	1
2	20828	WELDMENT PLATE ENGINE	1
3	21959	ASSEMBLY ROTOR HAMMERS AND KNIVES METRIC	1
4	905100	KEY 1/4 SQ X 2-1/4 PARALLEL PLN	1
5	6516100	BOLT 3/8-24 X 2 SHCS GR8 BLK ZN	1
6	1916965	WASHER LOCK SPRING 3/8	1
7	813	BOLT 5/16-24 X 1-1/4 HH GR8.8 ZN (18493)	4
	1921515	BOLT 5/16-24 X 3/4 HHCS GR5 (22753)	4
	12770	M8 X 1.25 X 40MM HH ZN (22754)	4
8	21640	WASHER M8 SPRLK ZN	4
9	1713200	SPACER .41 X 1.00 X .95 THK STEEL (18493, 22754)	1
	3299100	SPACER 406 ID X 1.000 OD X .822 LG (22753)	1
10	22848	SPACER ENGINE R210 (18493, 22754)	2

**ILLUSTRATED PARTS BREAKDOWN - ENGINE AND ROTOR GROUP (MODEL 22752)**



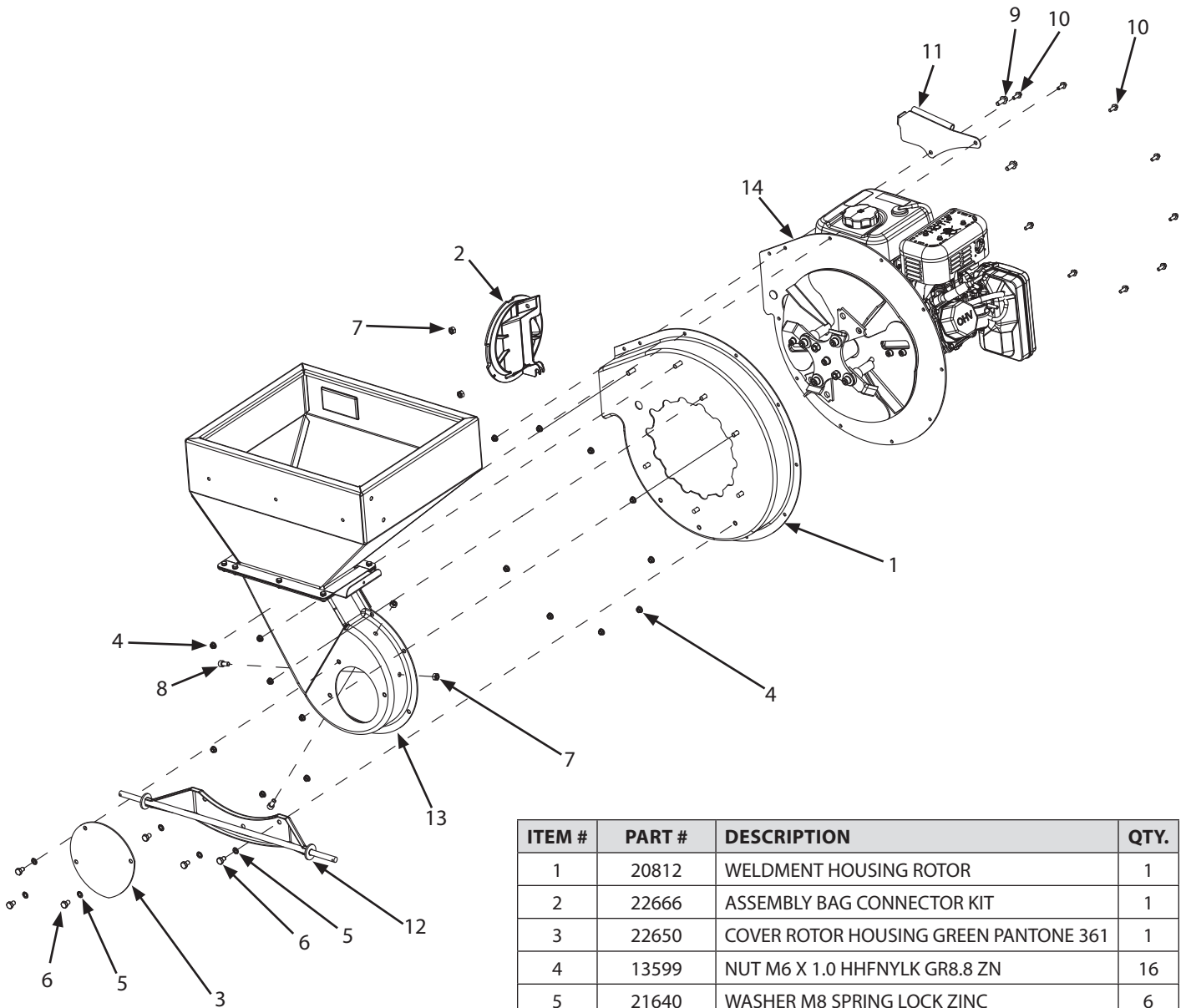
ITEM #	PART #	DESCRIPTION	QTY.
1	20838	WELDMENT PLATE ENGINE	1
2	21640	WASHER M8 SPLK ZN	4
3	21959	ASSEMBLY ROTOR HAMMERS AND KNIVES METRIC	1
4	22842	ENGINE HRZ 1 IN SHAFT 10 HP VPR R300	1
5	22860	SPACER 10.31MM IDX 25.4 MM ODX 35.9 MM LG	1
6	23193	SPACER ENGINE R300 TAZZ 90MM C TO C	1
7	23196	BOLT M8 X 1.25 X 55 HHCS GR8.8 ZN F-T	4
8	905100	KEY 1/4 SQ X 2-1/4 PARALLEL PLN	1
9	1916965	WASHER LOCK SPRING 3/8	1
10	6516100	BOLT 3/8-24 X 2 SHCS GR8 BLK ZN	1

**ILLUSTRATED PARTS BREAKDOWN - ROTOR GROUP**



ITEM #	PART #	DESCRIPTION	QTY.
1	22668	ASSEMBLY ROTOR KIT	1
2	21958	SPACER 10.1 MM ID X 13 MM ODX 31.242LG	4
3	22669	HAMMER TRIANGULAR 5MM THICK	1
4	22166	SPACER 13.00 ID X 19.050 OD X 18.745 LG	4
5	22670	ASSEMBLY J HAMMER KIT	1
6	21962	KNIFE CHIPPER 76.2 MM LG M8 TAP	2
7	21640	WASHER M8 SPRING LOCK ZINC	4
8	13559	WASHER M10 SPRING LOCK	6
9	21963	BOLT M8-1.25 X 16 SHCS GR8.8 ZN F-T	4
10	21964	BOLT M10-1.5 X 16 SHCS GR8.8 ZN F-T	2
11	21965	BOLT M10-1.5 X 50 SHCS GR8.8 ZN F-T	4
12	W1265V0903	NUT M10 HNYLK GR8.8 ZN	2
13	19905	WASHER M10 X 20MM X 2MM X FLAT ZN	4

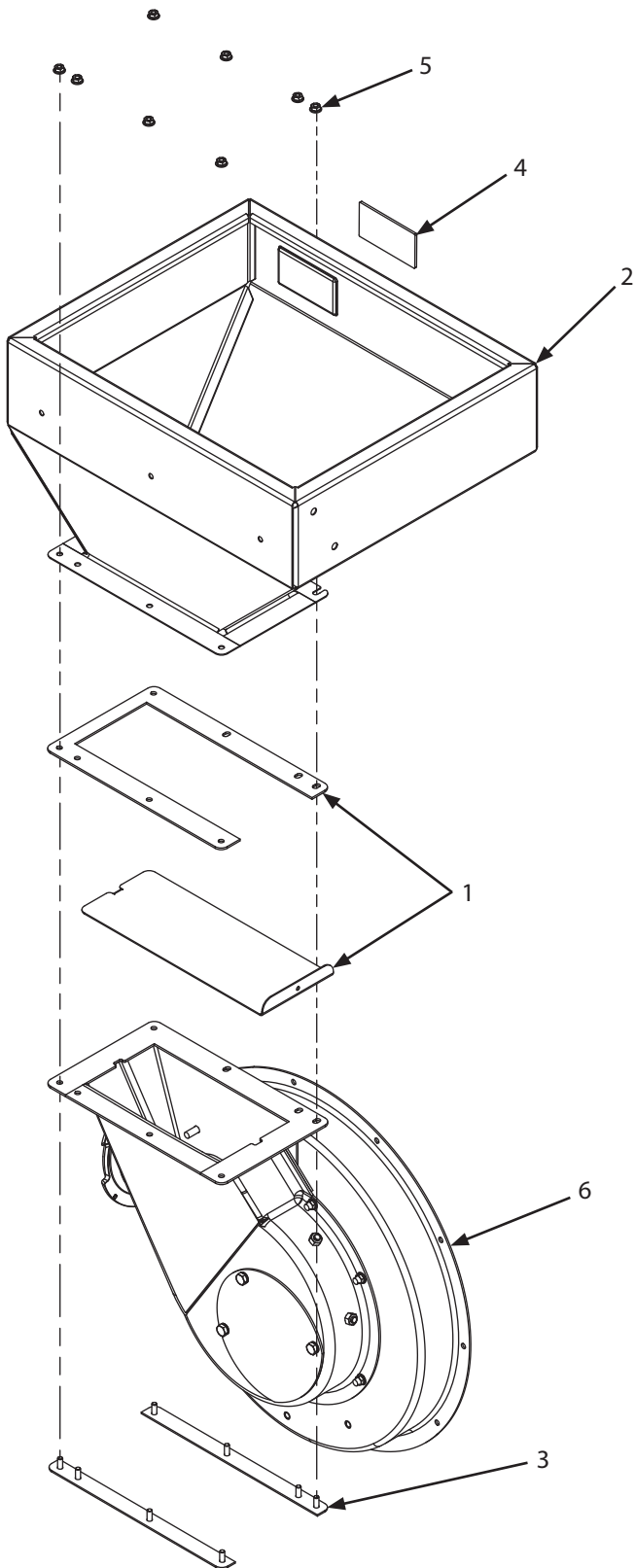
**ILLUSTRATED PARTS BREAKDOWN - CHIPPER HOUSING GROUP**



ITEM #	PART #	DESCRIPTION	QTY.
1	20812	WELDMENT HOUSING ROTOR	1
2	22666	ASSEMBLY BAG CONNECTOR KIT	1
3	22650	COVER ROTOR HOUSING GREEN PANTONE 361	1
4	13599	NUT M6 X 1.0 HHFNYLK GR8.8 ZN	16
5	21640	WASHER M8 SPRING LOCK ZINC	6
6	3241	BOLT M8 X 1.25 12 HHCS GR8.8 ZN	6
7	W1265V0900	NUT M8 X 1.25 HNYLK GR8.8 ZN	4
8	23956	BOLT M8 X 1.25 X 12 SHCS GR8.8 ZN F-T	2
9	22027	BOLT M8-1.25 X 20 SFH GR8.8 ZN F-T	2
10	22025	BOLT M6-1.0 X 16 SFH GR8.8 ZN F-T	9
11	22539	WELDMENT BAG SUPPORT	1
12	21935	WELDMENT AXLE MOUNT CHIPPER	1
13	19221	WELDMENT CHIPPER BACK COVER	1
14*	—	ENGINE AND ROTOR GROUP	—

*\*Item shown for illustrative purposes only.*

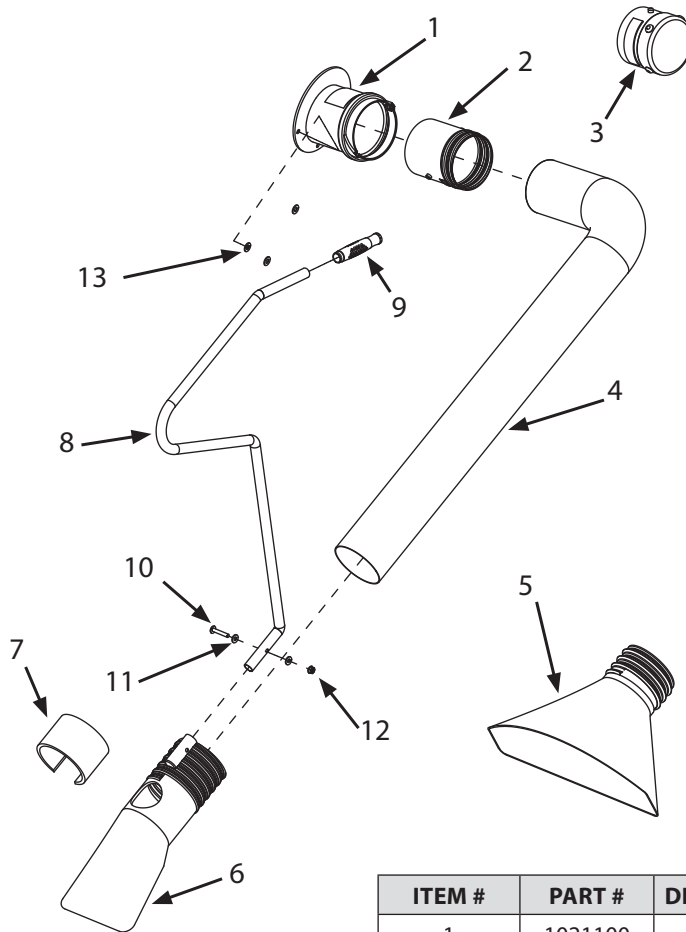
**ILLUSTRATED PARTS BREAKDOWN - HOPPER GROUP**



ITEM #	PART #	DESCRIPTION	QTY.
1	22667	ASSEMBLY DAMPER KIT	1
2	22557	WELDMENT CHIPPER HOPPER	1
3	27077	STUD PLATE	2
4	22115	BADGE TAZZ BRANDING	1
5	27308	NUT M6 X 1.0 HFNYLK GR8.8 STNLYS	8
6*	—	CHIPPER HOUSING GROUP	—

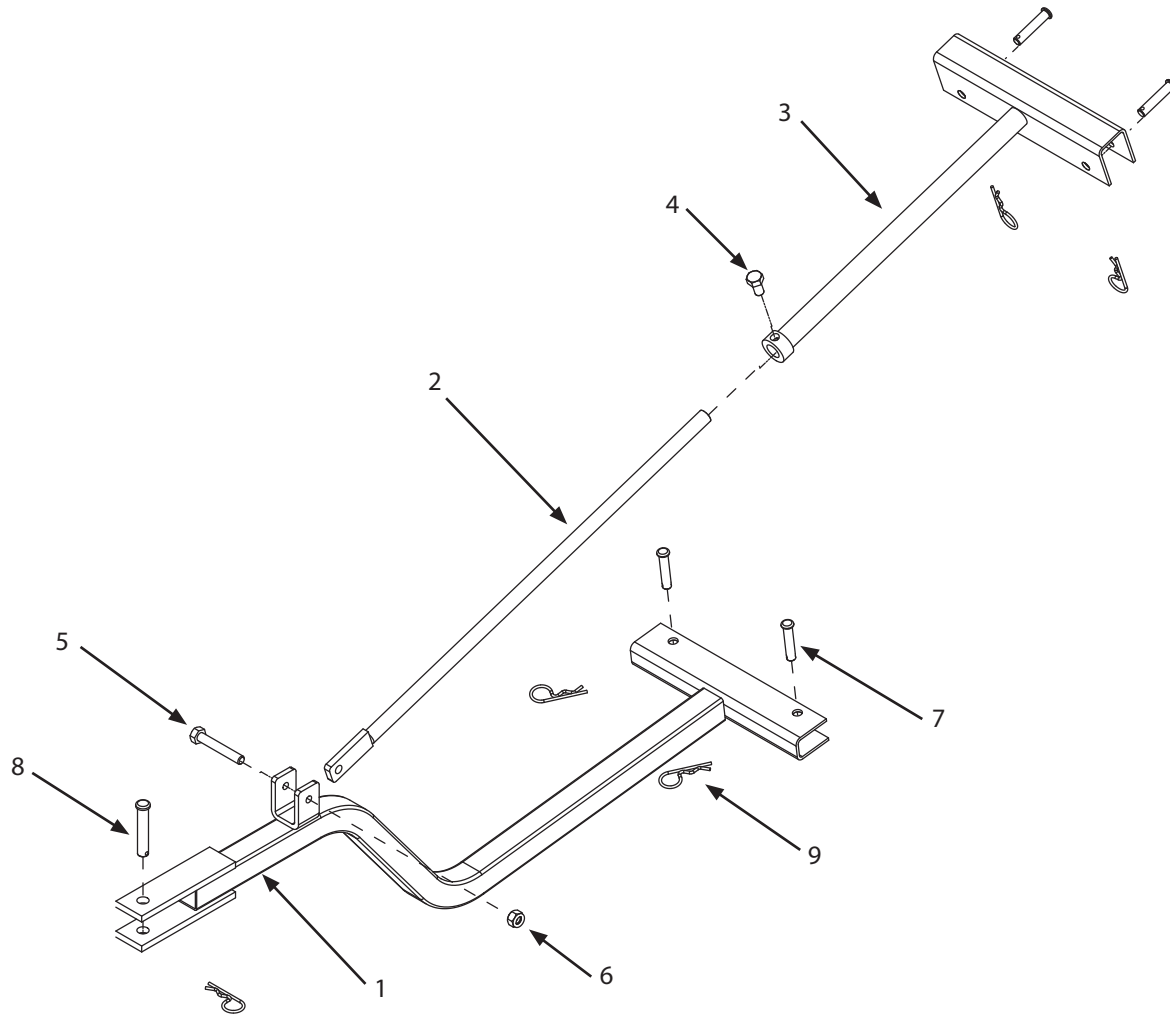
*\*Item shown for illustrative purposes only.*

**ILLUSTRATED PARTS BREAKDOWN - VACUUM KIT (OPTIONAL ACCESSORY) MODEL NO. 22518**



ITEM #	PART #	DESCRIPTION	QTY.
1	1021100	ADAPTER 4IN VAC COL HOSE	1
2	1023100	COUPLER VAC COL HOSE TO ADAPTER 2C 3	1
3	1025100	CAP PLUG 4IN VOL HOSE 2C HOSE 2C 3C 5C	1
4	1035100	HOSE VAC COL 4.00DIA X 10 FT LG 5C	1
5	1027100	LEAF TRAY 2C 3C 5C VACUUM COL	1
6	1030100	NOZZLE VAC COL FOR 5C CHIPPERS	1
7	1024100	RING PLASTIC 5IN DIA 3IN LG NOTCHED	1
8	1026100	HANDLE VAC COL 0.75IN DIA TUBE	1
9	1028100	GRIP HANDLE 10IP BLACK VINYL 3/4	1
10	6041612	BOLT 1/4-20 X 1-1/2 PTH ZN	1
11	1921319	WASHER 1/4 0.27 IDX0.620DX.05THK	2
12	1960294	NUT 1/4-20 HSF BW BLK ZN	1
13	1919326	WASHER-0.312 0.34ID X 0.75ODX 0.06THK	3

**ILLUSTRATED PARTS BREAKDOWN - TOW BAR KIT (OPTIONAL ACCESSORY) MODEL NO. 1692327**



ITEM #	PART #	DESCRIPTION	QTY.
1	1713352	BENT ARM ASSEMBLY, TOW BAR	1
2	1713414	ROD ASSEMBLY-TOW VAR SWING ARM	1
3	1713357	ROD HOLDER ASSY-TOW BAR	1
4	1925205	BOLT 5/16-18 5/8 HHCS GR5	1
5	1423B	BOLT 5/16-18 X 2 HHCS GR5 BLK ZN	1
6	1919438	NUT 5/16-18 NYLOCK BLK ZN	1
7	1710726	PIN-CLEVIS .308DIA X 1.500LG .43DIA	4
8	118053	PIN-RND HD DRILLED .375 X 2.000	1
9	1918196	PIN-QUICK .091DIA WIRE 1.875LG	5