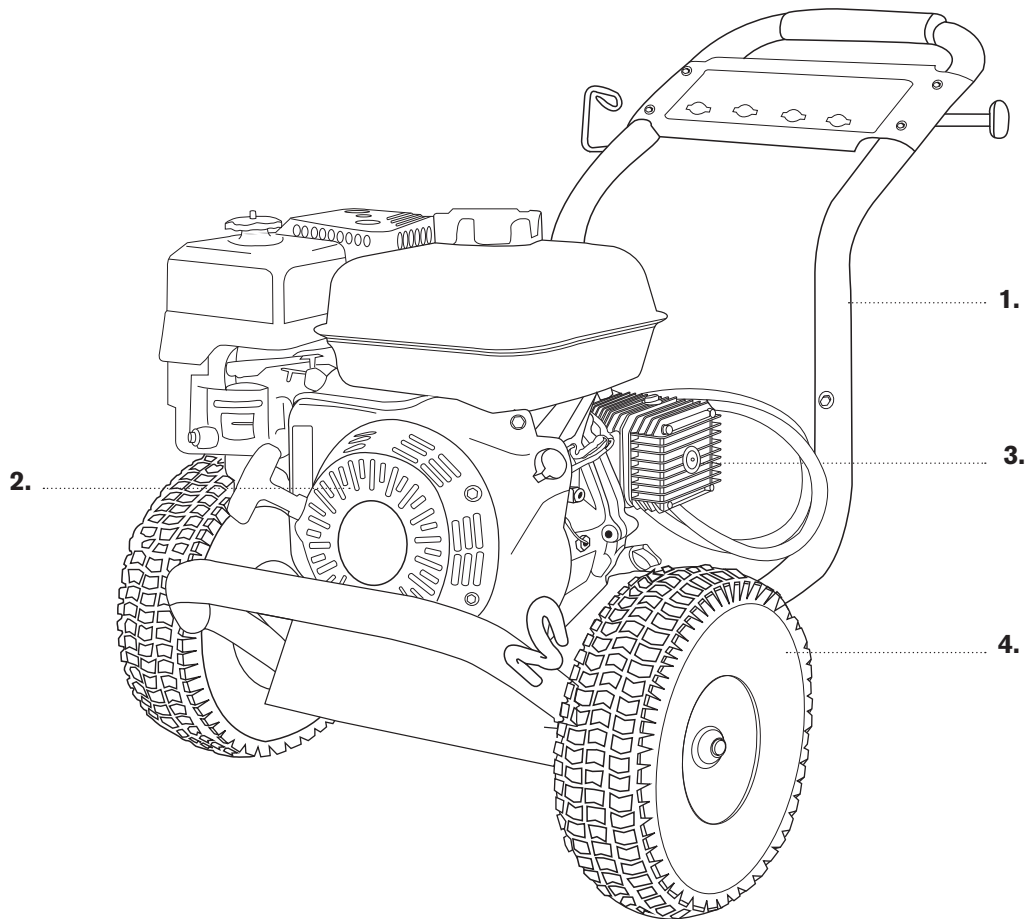


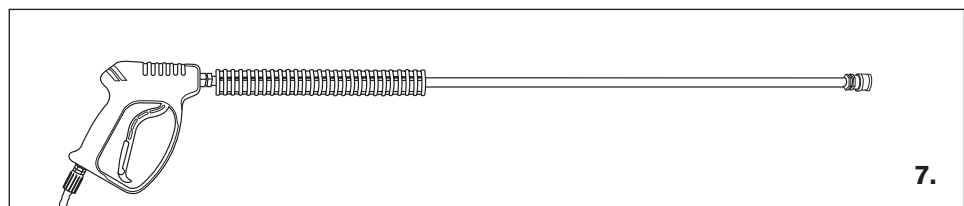
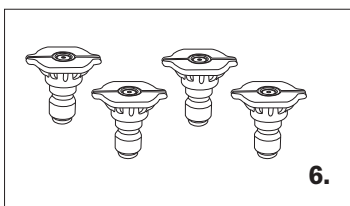
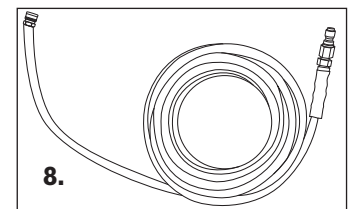
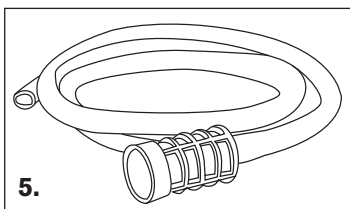


PRESSURE WASHER BREAKDOWN

B4213HAJ



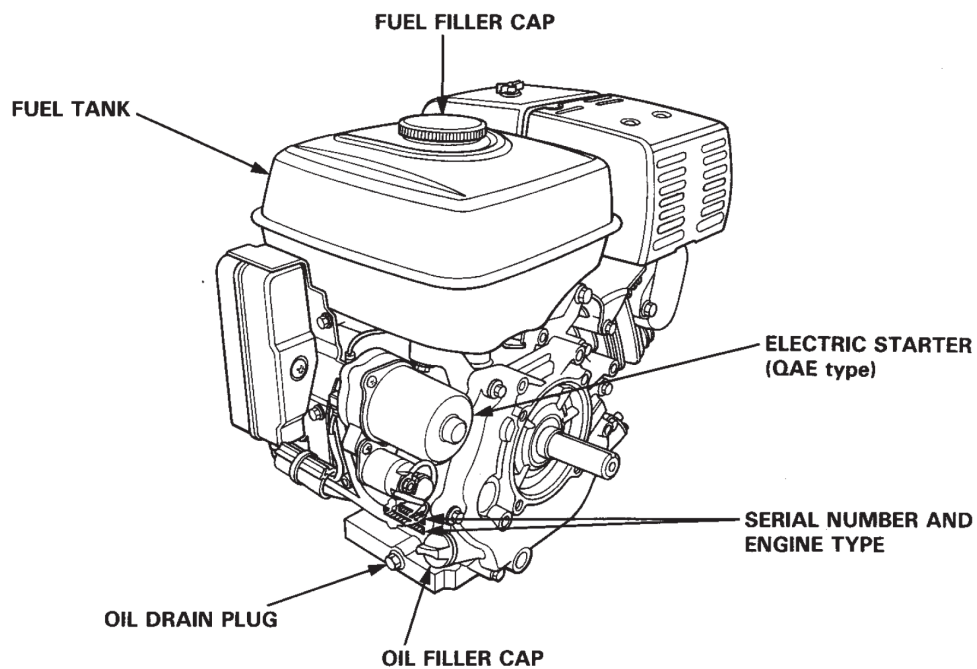
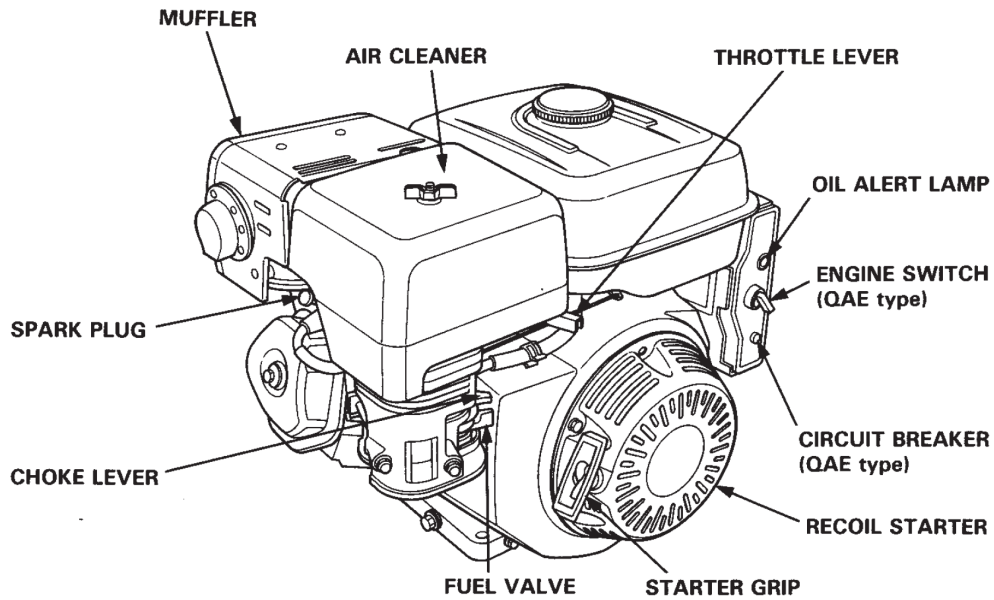
REF #	DESCRIPTION	PART #
1	Frame	85.600.129
2	Engine - Honda GX390	85.510.131
3	Pump - CAT 67DX39G1	85.119.031
4	Wheels	85.660.050BF
5	Soap Hose	85.400.005
6	Nozzle Set	85.210.035
7	Gun Wand	85.205.055
8	Hose 50' x 3/8"	85.238.153





PRESSURE WASHER BREAKDOWN

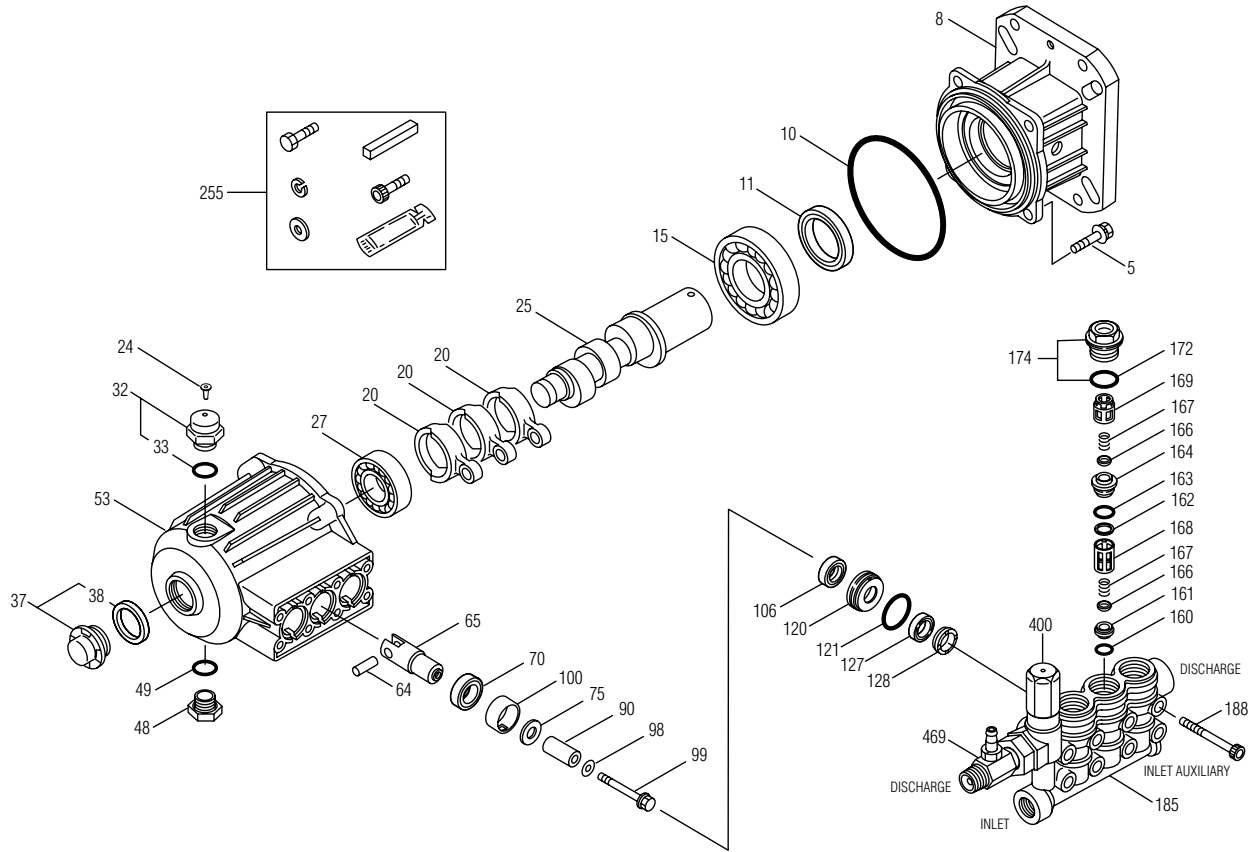
B4213HAJ





PRESSURE WASHER BREAKDOWN

B4213HAJ



PARTS LIST

ITEM	P/N	MATL	DESCRIPTION	QTY	ITEM	P/N	MATL	DESCRIPTION	QTY
5	127285	STCP R	Screw, HH, Sems (M8x25)	4	128	48757	NY	Adapter, Male	3
8	49361	AL	Cover, Adapter Bearing	1	160	26129	NBR	O-Ring, Inlet Valve Seat - 70D	3
10	14043	NBR	O-Ring, Bearing Cover	1	161	49378	S	Seat, Inlet	3
11	125351	NBR	Seal, Oil Crankshaft	1	162	48361	D	Back-up-Ring, Discharge Seat	3
15	126962	STL	Bearing, Ball - Inner	1	163	43358	NBR	O-Ring, Discharge Seat - 70D	3
20	49364	TNM	Rod, Connecting	3	164	49376	S	Seat, Discharge	3
24	76045	LDPE	Plug, Oil Cap	1	166	547098	S	Valve	6
25	49391	CM	Crankshaft (10.3mm)	1	167	49354	S	Spring	6
27	49363	STL	Bearing, Ball - Outer	1	168	49377	PVDF	Retainer, Spring, Inlet	3
32	547961	RTP	Cap, Oil Filler w/O-Ring	1	169	547441	PVDF	Retainer, Spring, Discharge	3
33	14179	NBR	O-Ring, Filler Cap - 70D	1	172	49382	NBR	O-Ring, Valve Plug - 90D	3
37	92241	—	Gauge, Oil Bubble w/Gasket - 80D	1	174	49380	BB	Plug, Valve w/O-Ring	3
38	44428	NBR	Gasket, Flat, Oil Gauge - 80D	1	185	49372	BB	Head, Manifold	1
48	44842	NY	Plug, Drain	1	188	126512	STCP R	Screw, HSH (M8x65)	8
49	14179	NBR	O-Ring, Drain Plug - 70D	1	255	31445	STZP	Assy, Bolt Mount, Gas	1
53	49352	AL	Crankcase	1	300	76262	NBR	Kit, Seal (Incls: 98, 106, 121, 127, 128)	1
64	49366	CM	Pin, Crosshead	3	310	76260	NBR	Kit, Valve	1
65	49368	BB	Rod, Plunger	3				(Incls: 160,161,162,163,164,166,167,168,169,172)	
70	47215	NBR	Seal, Oil Crankcase - 70D	3	400	—	—	Unloader, Integral (See individual parts)	1
75	49370	S	Slinger, Barrier	3	469	7367	BB	Injector, Chemical Fixed	1
90	49367	CC	Plunger (M14x28)	3					
98	46730	NBR	Washer, Seal - 90D	3					
99	49369	S	Retainer, Plunger	3					
100	49371	NY	Retainer, Seal	3					
106	45188	NBR	Seal, LPS w/S-Spg	3					
120	49374	BB	Case, Seal	3					
121	13977	NBR	O-Ring, Seal Case - 70D	3					
127	48758	SNG	V-Packing	3					

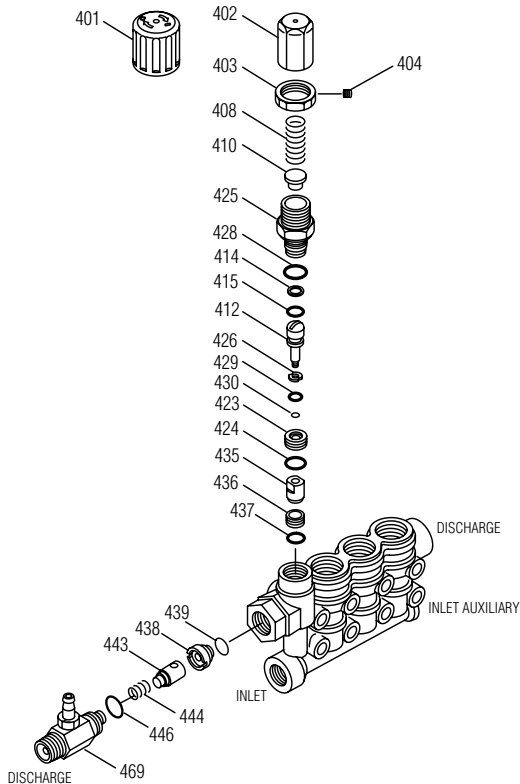


PRESSURE WASHER BREAKDOWN

B4213HAJ

INTEGRAL UNLOADER

SPECIFICATIONS	U.S. Measure	Metric Measure
Flow	3.9 gpm	(14.8 l/m)
PSI Range.....	100-4000 psi	(7-275 bar)
Inlet Port	1/2" NPTF	(1/2" NPTF)
Discharge Port	M18 x 1.0	(M18 x 1.0)



PARTS LIST

ITEM	P/N	MATL	DESCRIPTION	QTY.
401	49100	NY	Handle, Adjusting (Black)	1
402	49099	BB	Cap, Adjusting	1
403	125521	BB	Nut, Locking (M25x1)	1
404	88953	S	Screw, Set (M4x4)	1
408	45198	ZP R	Spring, Pressure	1
410	49101	STZP	Retainer, Spring	1
412	49103	S	Stem, Piston	1
414	20889	PTFE	Back-up-Ring, Piston Stem	1
415	49104	NBR	O-Ring, Piston Stem - 90D	1
423	49105	BB	Retainer, Valve	1
424	49106	NBR	O-Ring, Valve Retainer - 70D	1
425	49102	BB	Retainer, Piston	1
426	49107	S	Washer	1
428	26133	NBR	O-Ring, Piston Retainer - 80D	1
429	22056	NBR	O-Ring, Valve Retainer - 70D	1
430	49123	D	Back-up-Ring, Valve Retainer	1
435	49383	S	Valve/Ball Assembly	1
436	49384	S	Seat	1
437	13965	NBR	O-Ring, Seat - 70D	1
438	49386	D	Seat, Check Valve	1
439	13963	NBR	O-Ring, Check Valve Seat - 70D	1
443	49245	BB	Valve, Check w/NBR O-Ring	1
444	117275	S	Spring, Check Valve	1
446	26133	NBR	O-Ring, Body - 80D	1
460	126974	BB	Fitting, Discharge (3/8" NPTM) (Not Shown)	1
468	76708	NBR	Kit, O-Ring (Includes: 414, 415, 424, 428, 429, 430, 437, 439, 446)	1
	31556	NBR	Kit, Repair (Includes: 412, 414, 415, 423-426, 428-430, 435-437)	1
469	7367	BB	Injector, Chemical Fixed	1

Italics are optional items. R Components comply with RoHS Directive.
 MATERIAL CODES (Not Part of Part Number): BB=Brass D=Acetal
 NBR=Medium Nitrile (Buna-N) NY=Nylon PTFE=Pure Polytetrafluoroethylene
 S=304SS STL=Steel STZP=Steel/Zinc Plated ZP=Zinc Plated

UNLOADER TYPE

An integral unloader with built-in by-pass is part of the discharge manifold to provide system pressure regulation and pump protection. This pump also includes a fixed chemical injector for chemical application.

OPERATION:

Pump should be purged of air before commencing with operation. Liquid must flow through the pump without discharge restriction to assure full system pressure is reached.

Install a pressure gauge close to the manifold head of the pump to assist in setting system pressure and to periodically monitor system pressure.

Setting and adjusting the unloader pressure must be done with the system turned on. Start the system with the unloader backed off to the lowest pressure setting (counterclockwise direction). Squeeze the trigger and read the pressure on the gauge at the pump. Do not read pressure at the gun or nozzle. If more pressure is desired, release the trigger, turn adjusting cap one quarter turn in a clockwise direction. Squeeze the trigger and read the pressure. Repeat this process until the desired system pressure is reached. Thread locking nut up to adjusting cap and tighten set screw. All high pressure systems should have a secondary relief valve. Set secondary relief valve 200-300 psi above the unloader setting.

NOTE: Pressure is not set at the factory.

SERVICE:

The unloader should be serviced on the same schedule as the seals in the pump. Refer to 67DX Service Manual for start-up, servicing of seals and valves, torque requirements and Diagnosis/Maintenance chart.

FIXED CHEMICAL INJECTOR

SPECIFICATIONS	U.S. Measure	Metric Measure
Model 7367		
GPM	3.9 gpm	(14.8 l/m)
Nozzle Orifice.....	2.1 mm	(2.1 mm)
Common Specifications		
Hose Barb	1/4"	(1/4")
Tapped Barb	8/32" UNF	(8/32" UNF)
Inlet Port	M18x1.0	(M18x1.0)
Discharge Port	3/8" NPTM	(3/8" NPTM)
Weight	5.3 oz.	(0.15 kg)
Dimensions.....	2 x 1 x 1.75"	(51 x 25 x 45 mm)

CHEMICAL INJECTOR PERFORMANCE CHART

Orifice Size	Injector Model	Maximum Injecting Pressure	Maximum Chemical Draw	Pressure Drop Across Injector At System Pressure (4000 psi)
2.1 mm	7367	358 psi	76.8 oz/min	288 psi

Optimum performance of chemical injector occurs with a 35 ft. high pressure hose and a minimum 3/8" I.D. The type of hose, extended lengths, reduced I.D. and fittings may create back pressures in excess of the low pressure nozzle rating and prevent the injector from drawing chemical. See Hose Friction Loss Chart in Service Manual. **Deduct hose friction loss from above low PSI Nozzle. Contact CAT PUMPS for assistance with other options.**

CAUTION: Deduct the pressure drop shown in the performance chart from your desired system pressure to arrive at the maximum high pressure nozzle rating. This is essential to avoid over-pressurizing the pump.