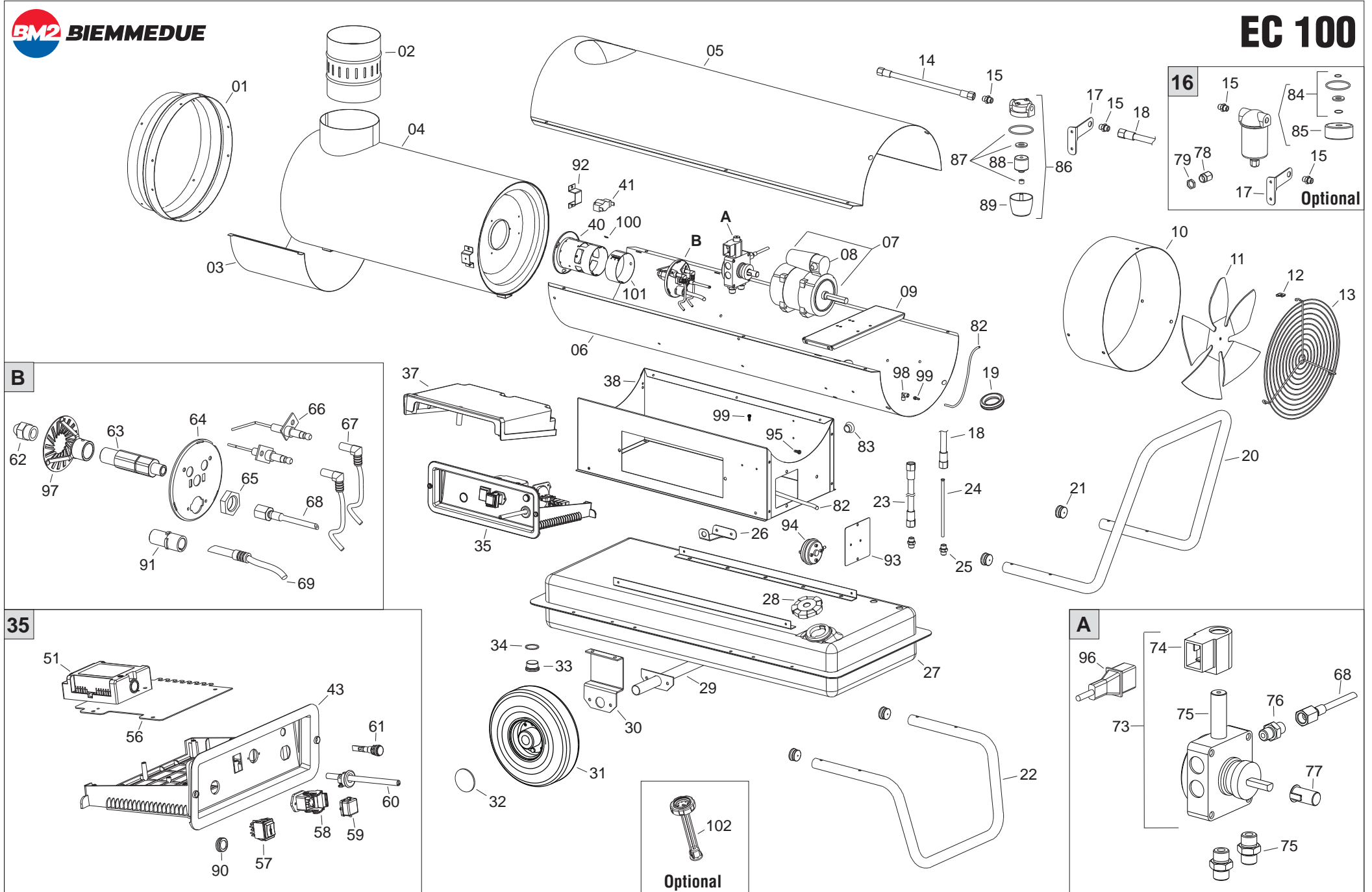




EC 100



Da matr. N. - De matr. No. - Von Masch. Nr. - From number:				EC 100	21101501	
Pos.	Cod.	€	LEGENDA	LEGENDE	NOMENKLATUR	PART LIST
01	G06075-3001		Cono diffusore	Embout conique	Ausblaskonus	Outlet cone
02	G06077		Raccordo camino Ø 150	Cheminée Ø 150	Kamin Ø 150	Chimney Ø 150
03	G06079		Protezione camera combustione	Protection chambre de combustion	Brennkammerabdeckblech	Combustion chamber support
04	G06301		Camera di combustione	Chambre de combustion	Brennkammer	Combustion chamber
05	G06083-3001		Scocca superiore	Carrosserie sup.	Haube	Upper body
06	G06216-3001		Scocca inferiore	Carrosserie Inf.	Karosserie Unterteil	Lower body
07	E10677-110		Motore 200W c/condens.	Moteur 200W avec condensateur	Motor 200W mit Kondensator	Motor 200W with condenser
08	E11233		Condensatore 20 µF	Condensateur 20 µF	Kondensator 20 µF	Condenser 20 µF
09	G06217		Supporto motore ventola	Bride support moteur	Motor Flansch	Motor flange
10	G06070-3001		Anello protezione ventilatore	Anneau protection ventilateur	Ring Schutzeinrichtung Ventilator	Fan protection ring
11	T10207		Ventola Ø300 18°	Ventilateur Ø300 18°	Ventilator Ø300 18°	Fan Ø300 18°
12	M20412		Piastrina doppia U42-182	Plaque elastique U42-182	Klemmutter U42-182	Elastic Plate U42-182
13	P30165		Griglia aspirazione	Grille protection	Schutzgitter	Inlet grille
14	I40330		Tube BP 1/4" FF L.420 mm	Tube BP 1/4" FF L.420mm	Rohr BP 1/4" FF L.420mm	Tube BP 1/4" FF L.420mm
15	I20104		Nipple FE 1/4" MM	Nipple FE 1/4" MM	Nipple FE 1/4" MM	Nipple FE 1/4" MM
16	02AC513		Filtro gasolio compl.	Filtre avec cartouche	Filter komp.	Filter with cartridge
17	G06104-9005		Supporto filtro	Support	Stütze	Filter support
18	I40329		Tube BP 1/4" FF L.260mm	Tube BP 1/4" FF L.260mm	Rohr BP 1/4" FF L.260mm	Tube BP 1/4" FF L.260mm
19	C30372		Passacavo Ø35 mm	Protection cable Ø35 mm	Kabeltülle Ø35 mm	Cable protection Ø35 mm
20	P20174-9005		Maniglia	Poignée	Handgriff	Handle
21	C30355		Tappo copritesta Ø25	Bouchon Ø25	Gummifuss Ø25	Plug Ø25
22	P20175-9005		Piede	Pied	Fuß	Foot
23	I40331		Tube BP 1/4" F L.580 mm.	Tube BP 1/4" F L.580mm	Rohr BP 1/4" F L.580mm	Tube BP 1/4" F L.580mm
24	I30695		Pescante L.150mm	Pascante L.150mm	Pascante L.150mm	Pascante L.150mm
25	I30737		Niplo OT 1/4" M - M12x1,75 M	Nipple OT 1/4" M - M12x1,75 M	Nipple OT 1/4" M - M12x1,75 M	Nipple OT 1/4" M - M12x1,75 M
26	G06068-9005		Gancio cavo alimentazione	Crochet câble d'alimentation	Haken Netzkabel	Power cord hook
27	G06099-9005		Serbatoio gasolio	Réservoir fuel	Tank	Fuel tank
28	C30367		Tappo bocchettone	Bouchon	Pfropfen	Drain plug
29	G06105-9005		Assale	Essieu	Achse	Wheel axle
30	G06106-9005		Staffa su assale ruote	Support on essieu roues	Bügel auf der elektrische Achse	Wheels axle support
31	C10546		Ruota Ø 260 - Ø 25	Roue Ø 260 - Ø 25	Rad Ø 260 - Ø 25	Wheel Ø 260 - Ø 25
32	M20202		Rondella elastica Ø25	Rondelle élastique Ø25	Abstandsring Ø25	Spring washer Ø25
33	I25020		Tappo Serbatoio M16x1,5	Bouchon de vidange	Abluss Propfen Oel	Drain plug
34	C30375		OR Ø16 x 2,62	OR Ø16 x 2,62	OR Ø16 x 2,62	OR Ø16 x 2,62
35	G00249		Quadro elettrico	Coffret électrique	Elektrokasten	El. componets drawer
37	P50127		Copertura quadro elettrico	Couverture coffret électrique	Abdeckung Schaltofel	Control box cover
38	G06405-3001		Basamento	Base	Kastenträger	Base
40	G06361		Boccaglio	Gueulard	Brennrohr	Blast tube
41	E50109		Capsula termostatica Limit	Thermostat bilame Limit	Thermostat Limit	Limit Thermostat
43	G06153		Supporto quadro elettrico	Support coffret électrique	Steuergeräthalerung	Electr. componets drawer
51	E40125		Apparecchiatura BRAHMA TGRD 71	Coffret BRAHMA TGRD 71	Steuergerät BRAHMA TGRD 71	Control box BRAHMA TGRD 71
56	G06184		Piastra supporto elementi elettrici	Plaqu support	Tragplatte für elektrische Teile	Plate for electrical components
57	E10102-P		Interruttore bipolare 0 - 1	Interrupteur 0 - 1	Schalter 0 - 1	Switch 0 - 1
58	E20640		Connettore presa 3P+T	Fiche thermostat 3P+T	Thermostat steckdose 3P+T	Thermostat socket 3P+T
59	E20665		Tappo	Bouchon	Pfropfen	Plug
60	E30443		Cavo elettrico c/spina e pressacavo	Câble avec fiche et presse câble	Kabel mit steckdose und kabelpresse	El. wire with plug and cable fastener
61	E11030		Lampada 230V	Lampe 230V	Kontrolllampe 230V	Lamp 230V
62	T20361		Ugello 0,55 GPH 80°W	Gicleur 0,55 GPH 80°W	Düse 0,55 GPH 80°W	Nozzle 0,55 GPH 80°W
63	I33007		Cannotto portaugello	Support gicleur	Düsehalter	Nozzle support
64	G06228		Flangia supp. Bruciatore Ø 80mm	Bride Brûleur Ø 80mm	Brenner Flansch Ø 80mm	Burner flange Ø 80mm
65	I31034		Controdado OT. M14	Ecrou M14	Mutter M14	Nut M14

Da matr. N. - De matr. No. - Von Masch. Nr. - From number:				EC 100	21101501	
Pos.	Cod.	€	LEGENDA	LEGENDE	NOMENKLATUR	PART LIST
66	E10248		Elettrodo c/piastrina	Électrode	Elektrode	Electrode
67	G02078		Cavo A.T. L.1000m	Conn. câble 90° H.T.	H.S. Ans chluß 90°	H.T. Cable connect. 90°
68	I40192		Microtubo	Microtube	Microschlauch	Micropipe
69	E50328		Fotoresistenza FC13	Photoresis. FC13	Fotozelle FC13	Ld ph. Unit FC13
73	T20429-1		Pompa Danfoss BFA 01	Pompe Danfoss BFA 01	Pumpe Danfoss BFA 01	Pump Danfoss BFA 01
74	T20118		Bobina E.V. BFA 01 Danfoss	Bobine E.V. BFA 01 Danfoss	Spule BFA 01 Danfoss	Solenoid spool BFA 01 Danfoss
75	T20117		Corpo E.V. Danfoss	Electrovanne Danfoss	Magnetventil Danfoss	Solenoid valve Danfoss
76	I20115		Nipplo FE 1/8" MM	Nipple FE 1/8" MM	Nipple FE 1/8" MM	Nipple FE 1/8" MM
77	E10513		Giunto Pl. mot.-pompa K1	Accouplement Pl. K1	PlastikKuplung K1	Coupling K1
78	E20953		Pressacavo PL. PG11	Embout fixe-cable PG11	Kabelhalter PG11	Cable holder PG11
79	E20954		Ghiera PL PG11	Embout PG11	Nutmutter PG11	Ring nut PG11
82	I40335		Tubo silicone Ø4x8 (a metri)	Tuyau en silicone Ø4x8	Silikonöhre Ø4x8	Silicone pipe Ø4x8
83	C30319		Tappo plastica	Bouchon	Stopfen	Rubber tap
84	T20241		Kit OR filtro gasolio	KIT OR filtre gasoil	Kit OR heizölfilter	OR KIToil filter
85	T20242		Cartuccia filtro	Cartouche filtre	Filterelement	Filter cartridge
86	T20201		Filtro gasolio 1/4"	Filtre gasoil 1/4"	Heizölfilter 1/4"	Oil filter 1/4"
87	T20234		Kit OR filtro gasolio	KIT OR filtre gasoil	Kit OR heizölfilter	OR KIToil filter
88	T20206		Cartuccia filtro	Cartouche filtre	Filterelement	Filter cartridge
89	T20212		Bicchiera filtro	Cuve filtre	Filtergehäuse	Filter housing
90	E20418		Protezione pulsante blocco	Protection bouton d'arrêt	Blockierschalterschutz	Stop button protection
91	E50327		Protezione fotoresistenza	Photoresistance protection	Photozellenschutz	Protection de la photoresistence
92	G06221		Staffa fissaggio capsula	Bride de fixation	Kapselbugelbefestigung	Box fixing bracket
93	G06406-3001		Supporto pressostato	Switch Support	Druckschalterhalterung	Support du pressostat
94	E50440		Pressostato 100Pa	100 Pa switch	100 Pa Druckschalter	Presostat 100 Pa
95	I31131		Raccordo diritto Ø4	Raccord droit Ø4	Anschluss Ø4	Conn. Straight Ø4
96	T20442		Cavo elettrovalvola	Cable electrovanne	Anschlußkabel für Magnetventil	Solenoid valve cable
97	G01077		Deflettore centrato	Accroche flamme	Stauscheibe	Turbo disc
98	I20325-2		Gomito 1/8"	Coude 1/8"	Eckanschluss 1/8"	Connection 1/8"
99	I31130		Raccordo diritto Ø6 1/8"	Raccord droit Ø6 1/8"	Anschluss Ø6 1/8"	Conn. Straight Ø6 1/8"
100	E20671		Morsettiera terra	Barrette de connection	Klemmreiche	Terminal board
101	G06183		Anello regolazione aria	Volet réglage air	Brennluftklappe	Air regulation flap
102	02AC508		Tappo con controllo di livello L=215	Bouchon avec contrôle de niveau L=215	Propfen mit Höhenkontrolle L=215	Plug with level control L=215