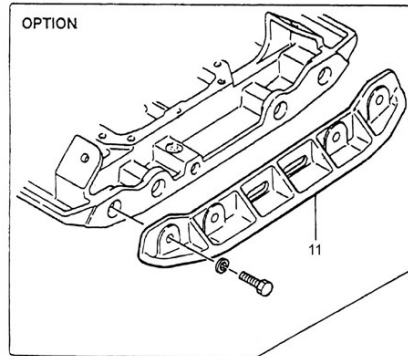
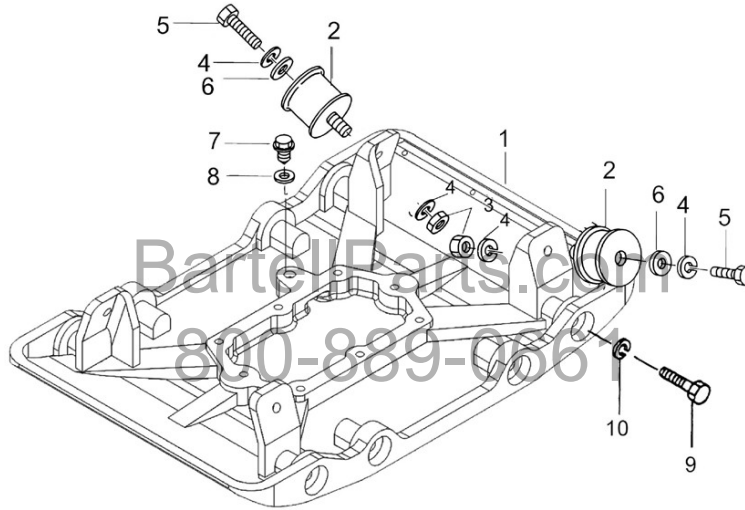


PARTS LIST 1 – REVERSIBLE HYDRAULIC PLATE COMPACTORS

VIBRATING PLATE: BR3570



BartellParts.com
800-889-0661



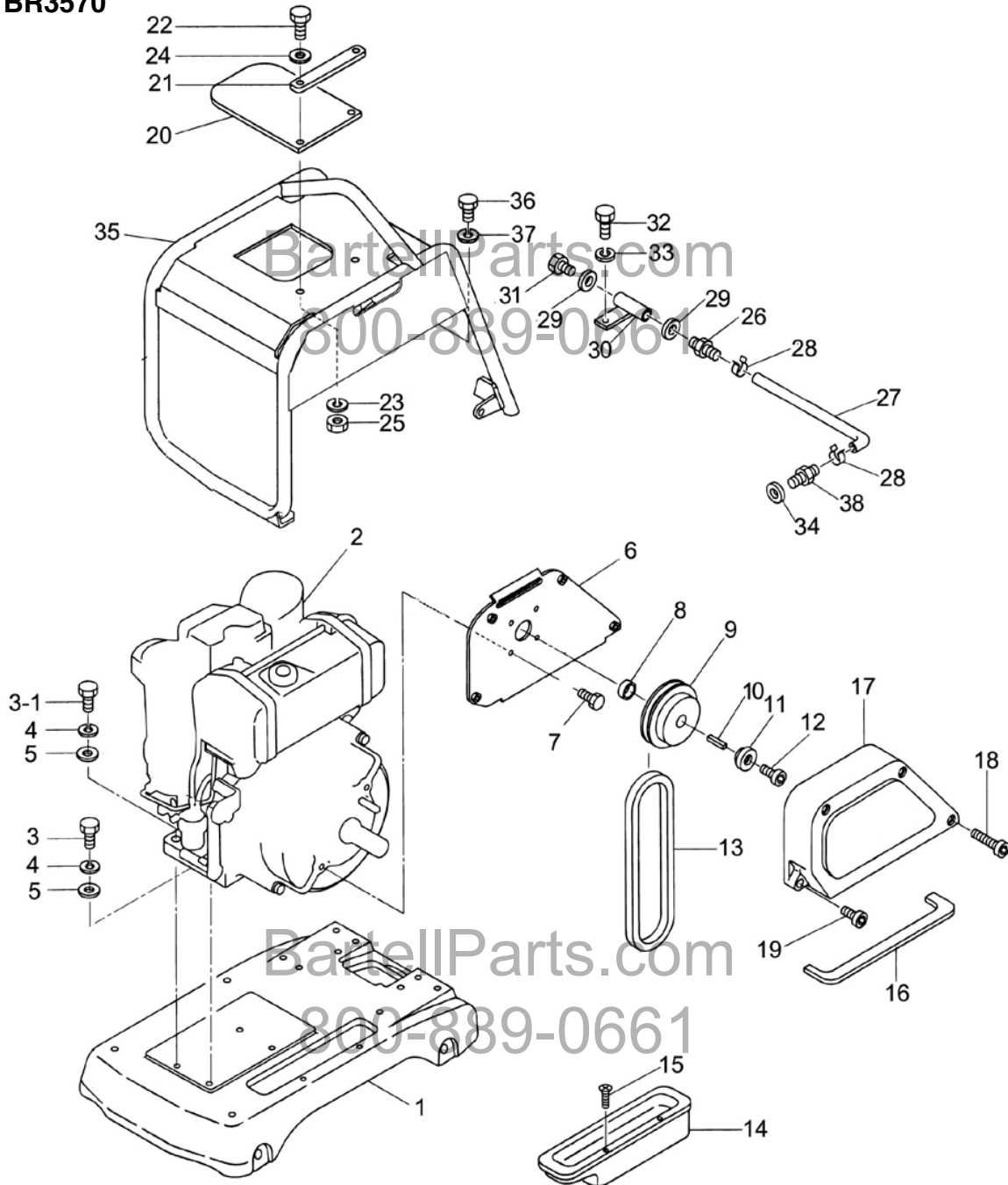
VIBRATING PLATE: BR3570 – PARTS LIST 1

Item #	Part #	Description	QTY	Remarks
1	CPC-240-01A	VIBRATING PLATE	1	
2	CPC-240-02A	SHOCK ABSORBER	4	
3	CPC-240-03A	LOCK NUT M12	4	
4	CPC-240-04A	SW M12	8	
5	CPC-240-05A	BOLT M12x35T	4	
6	CPC-240-06A	WASHER 12x40x4.5	4	
7	CPC-240-07A	OIL GAUGE M16x1.5	1	
8	CPC-240-08A	PACKING M16	1	
9	CPC-240-09A	BOLT	8	
10	CPC-240-010A	SW & PACKING M12	8	
11	CPC-240-011A	EXTENSION PLATE	2	

BartellParts.com
800-889-0661

PARTS LIST 2 – REVERSIBLE HYDRAULIC PLATE COMPACTORS

BODY: BR3570



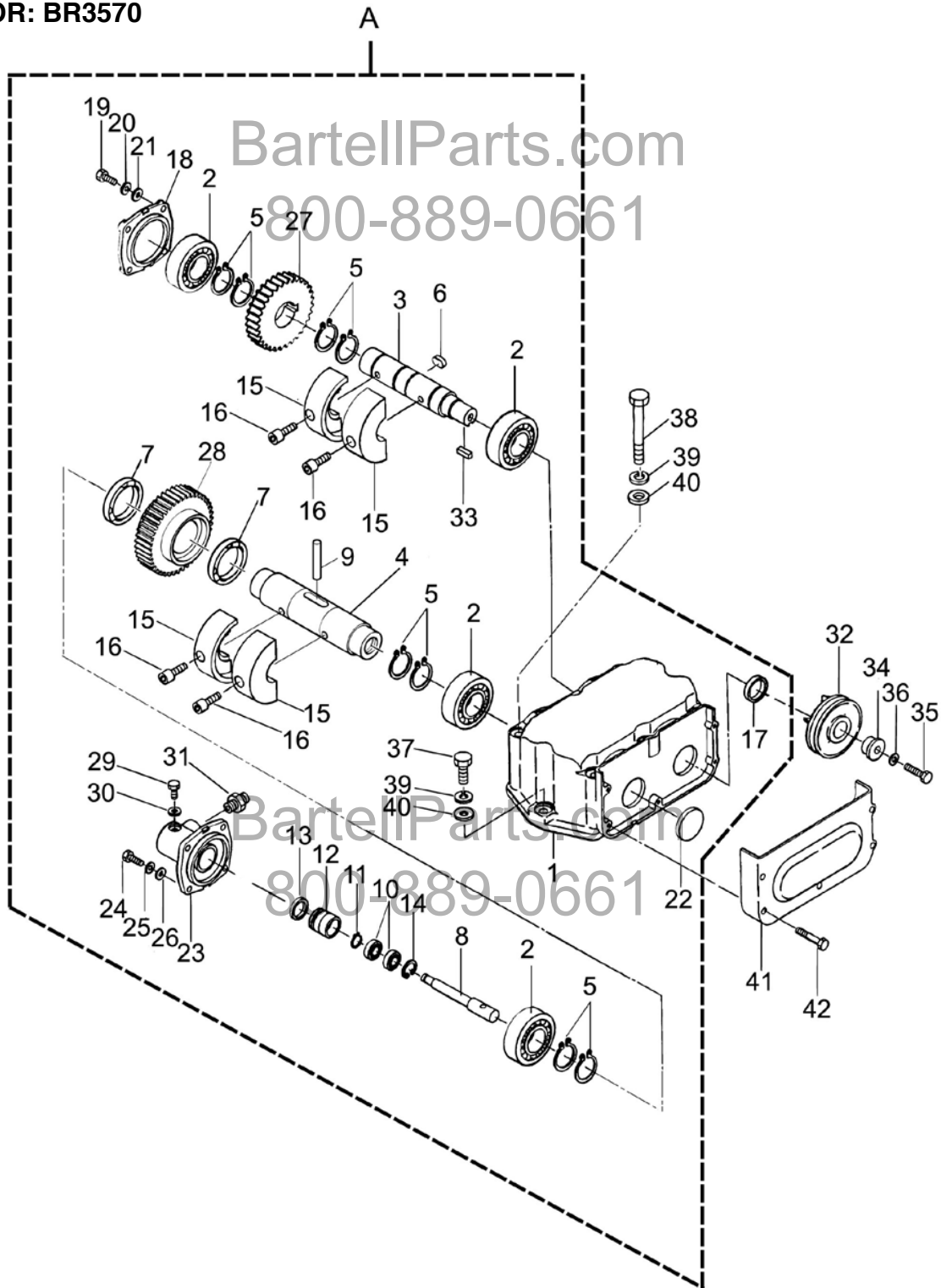
BODY: BR3570 - PARTS LIST 2

Item #	Part #	Description	QTY	Remarks
1	CPC-240-01B	BASE	1	
2	CPC-240-02B	ENGINE	4	
3	CPC-240-03B	BOLT M8x40T	4	
4	CPC-240-04B	SW M8	4	
5	CPC-240-05B	PW M8	1	
6	CPC-240-06B	BELT COVER PLATE	4	
7	CPC-240-07B	BOLT M8x20T	1	
9	CPC-240-09B	CLUTCH ASSEMBLY	1	
10	CPC-240-10B	KEY 5x5x30	1	
11	CPC-240-11B	CLUTCH WASHER	1	
12	CPC-240-12B	SOCKET HEAD BOLT M8x30T	1	
13	CPC-240-13B	V-BELT, AV13x890	1	
14	CPC-240-14B	DUST COVER	1	
15	CPC-240-15B	FLAT HEAD SCREW M6x16T	2	
16	CPC-240-16B	SPONGE, DUST COVER	1	
17	CPC-240-17B	BELT COVER OUT	1	
18	CPC-240-18B	SOCKET HEAD BOLT M8x60T	3	
19	CPC-240-19B	SOCKET HEAD BOLT M8x30T	1	
20	CPC-240-20B	RUBBER COVER	1	
21	CPC-240-21B	PLATE, RUBBER COVER	1	
22	CPC-240-22B	BOLT M6x25T	2	
23	CPC-240-23B	SW M6	2	
24	CPC-240-24B	PW M6	4	
25	CPC-240-25B	NYLON NUT M6	2	
27	CPC-240-27B	DRAIN HOSE	1	
28	CPC-240-28B	HOSE CLAMP	2	
29	CPC-240-29B	GASKET 10x18.1,5	1	
30	CPC-240-30B	PLUG	1	
31	CPC-240-31B	JOINT BLOCK M10x1.0	1	
32	CPC-240-32B	BOLT M8x20T	1	
33	CPC-240-33B	SW M8	1	
34	CPC-240-34B	SEAL WASHER	1	
35	CPC-240-35B	GUARD FRAME	1	
36	CPC-240-36B	BOLT M10x25T	4	
37	CPC-240-37B	SW & PACKING M10	4	

38	CPC-240-38B	UNION	1	
39	651105	WHEEL KIT (NOT SHOWN)	1	

PARTS LIST 3 – REVERSIBLE HYDRAULIC PLATE COMPACTORS

VIBRATOR: BR3570



VIBRATOR: BR3570 – PARTS LIST 3

Item #	Part #	Description	QTY	Remarks
C	CPC-240-C	VIBRATOR ASSEMBLY	1	
1	CPC-240-01C	VIBRATING CASE	1	
2	CPC-240-02C	ROLLER BEARING NJ307EM	4	
		ROLLER BEARING NJ307C4	3	
3	CPC-240-03C	ROTARY SHAFT, DRIVE	1	
4	CPC-240-04C	ROTARY SHAFT, DRIVEN	1	
5	CPC-240-05C	STOP RING S-35	8	
6	CPC-240-06C	KEY 10x8x19	1	
7	CPC-240-07C	BEARING 6907	2	
8	CPC-240-08C	PISTON ROD	1	
9	CPC-240-09C	PIN 8x50	1	
10	CPC-240-10C	BEARING 6000ZZ	2	
11	CPC-240-11C	STOP RING S-10	1	
12	CPC-240-12C	PISTON	1	
13	CPC-240-13C	PACKING 22.4x30x5	1	
14	CPC-240-14C	STOP RING R-26	1	
15	CPC-240-15C	ECCENTRIC ROTATOR	4	
16	CPC-240-16C	SOCKET HEAD BOLT M10x30T	4	
17	CPC-240-17C	OIL SEAL SC-28458	1	
18	CPC-240-18C	BEARING COVER	1	
19	CPC-240-19C	BOLT M8x25T	4	
20	CPC-240-20C	SW M8	4	
21	CPC-240-21C	PW M8	4	
22	CPC-240-22C	SEAL	1	
23	CPC-240-23C	CYLINDER	1	
24	CPC-240-24C	BOLT M8x25T	4	
25	CPC-240-25C	SW M8	4	
26	CPC-240-26C	PW M8	4	
27	CPC-240-27C	GEAR (DRIVE)	1	
28	CPC-240-28C	GEAR (DRIVEN)	1	
29	CPC-240-29C	BOLT M8x16T	1	
30	CPC-240-30C	COPPER PACKING 8	1	
31	CPC-240-31C	CONNECTOR	1	
32	CPC-240-32C	PULLEY	1	
33	CPC-240-33C	PULLEY	1	
34	CPC-240-34C	KEY 8x7x25	1	



35	CPC-240-35C	BOLT M8x40T	1	
36	CPC-240-36C	SW M8	1	
37	CPC-240-37C	BOLT M12x45T	2	
38	CPC-240-38C	BOLT M12x120T	6	
39	CPC-240-39C	SW M12	8	
40	CPC-240-40C	PW M12	8	
41	CPC-240-41C	BELT COVER (LOWER)	1	
42	CPC-240-42C	SOCKET HEAD BOLT M6x45T	5	

BartellParts.com
800-889-0661

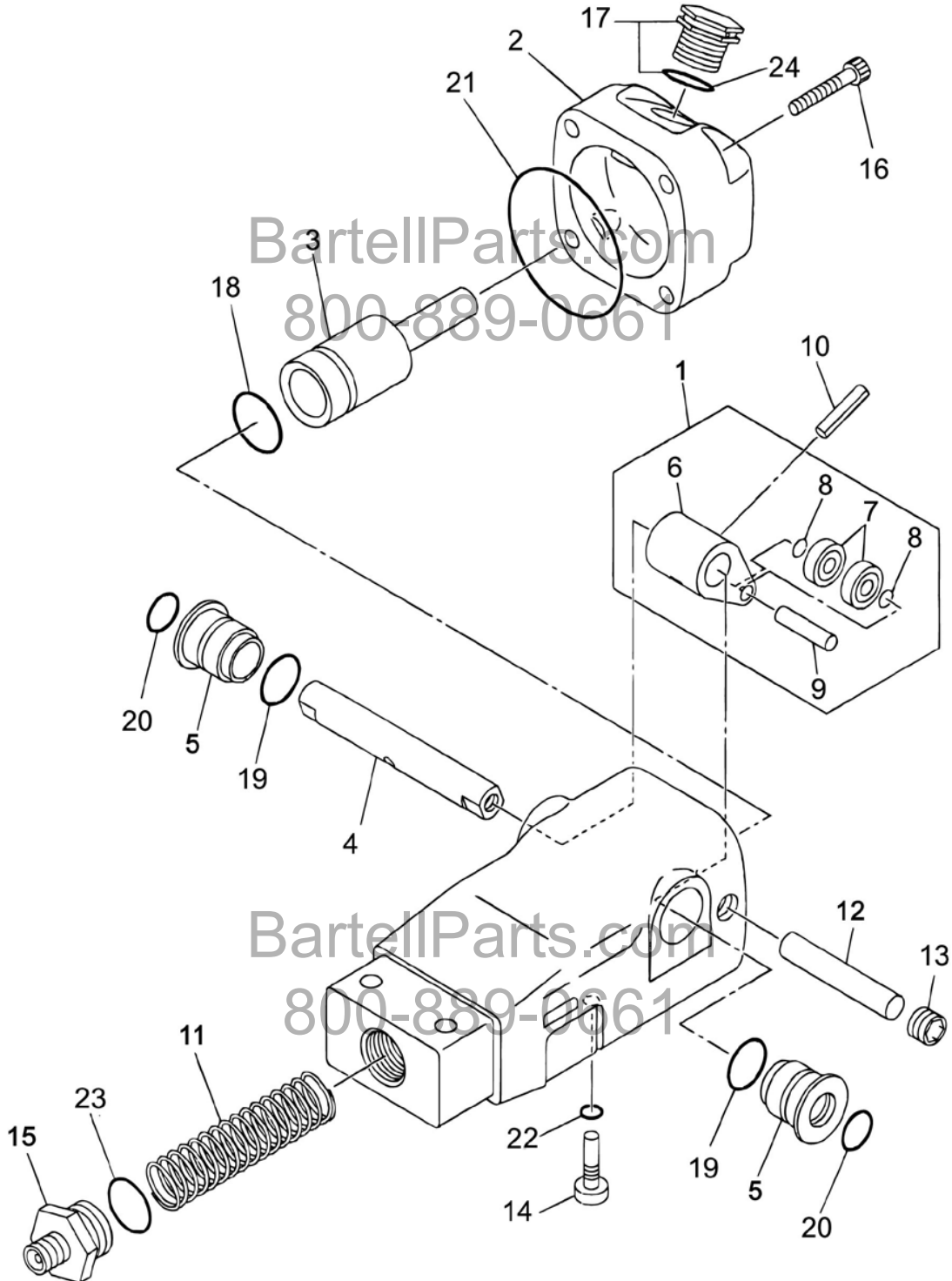
BartellParts.com
800-889-0661

CONTROL: BR3570 – PARTS LIST 4

Item #	Part #	Description	QTY	Remarks
1	CPC-240-01D	THROTTLE LEVER ASSEMBLY	1	
2	CPC-240-02D	THROTTLE WIRE	1	
3	CPC-240-03D	HANDLE UPPER AY	1	
4	CPC-240-04D	HANDLE LOWER AY	1	
5	CPC-240-05D	BOLT M16x150T	1	
6	CPC-240-06D	PW M16	2	
7	CPC-240-07D	CONICAL SPRING WASHER M16	4	
8	CPC-240-08D	NUT M16	2	
9	CPC-240-09D	SHOCK ABSORBER, STOPPER	1	
10	CPC-240-10D	LOCK NUT M10	1	
11	CPC-240-11D	PACKING M10	1	
12	CPC-240-12D	HANDLE PUMP ASSEMBLY	1	
13	CPC-240-13D	TRAVEL LEVER	1	
14	CPC-240-14D	SOCKET HEAD BOLT M8x25T	2	
15	CPC-240-15D	COLLAR	1	
16	CPC-240-16D	WAVE WASHER 15.5x20x0.3	4	
17	CPC-240-17D	PUMP HOLDER M8x60T	2	
18	CPC-240-18D	NYLON NUT M8-1.25	2	
19	CPC-240-19D	SW, PACKING x2 M8	2	
20	CPC-240-20D	OIL HOSE	1	
21	CPC-240-21D	BOLT M8x16T	2	
22	CPC-240-22D	SW PACKING M8	2	
23	CPC-240-23D	BREATHER CAP	1	
24	CPC-240-24D	HANDLE BRACKET (L)	1	
25	CPC-240-25D	HANDLE BRACKET (R)	1	
26	CPC-240-26D	STOPPER	1	
27	CPC-240-27D	SPRING	1	
28	CPC-240-28D	SPRING PIN 2.5x16	1	
29	CPC-240-29D	BOLT M10x30T	4	
30	CPC-240-30D	SW, PACKING, M10	4	
31	CPC-240-31D	HANDLE GRIP	1	
32	CPC-240-32D	BOLT M6x25T	2	
33	CPC-240-33D	SW M6	2	
34	CPC-240-34D	PW M6	2	

PARTS LIST 5 – REVERSIBLE HYDRAULIC PLATE COMPACTORS

HAND PUMP ASSEMBLY: BR3570





HAND PUMP ASSEMBLY: BR3570 – PARTS LIST 5

Item #	Part #	Description	QTY	Remarks
1	CPC-240-01E	CAN COMP (PUMP)	1	
2	CPC-240-02E	COVER (HAND PUMP)	1	
3	CPC-240-03E	PISTON CP	1	
4	0CPC-240-04E	CONTROL SHAFT (PUMP)	1	
5	CPC-240-05E	BUSH	2	
6	CPC-240-06E	CAN (PUMP)	1	
7	CPC-240-07E	BEARING 607ZZ	2	
8	CPC-240-08E	SPACER	2	
9	CPC-240-09E	PIN 7x30	1	
10	CPC-240-10E	SPRING PIN 6x25	1	
11	CPC-240-11E	SPRING (PUMP)	1	
12	CPC-240-12E	STOPPER (PUMP) 12x60	1	
13	CPC-240-13E	PLUG	1	
14	CPC-240-14E	STOP PLUG M8x30	1	
15	CPC-240-15E	HOSE JOINT	1	
16	CPC-240-16E	SOCKET HEAD BOLT M6x40T	4	
17	CPC-240-17E	BREATHER (PUMP)	1	
18	CPC-240-18E	O-RING 22.4x30x4.8	1	
19	CPC-240-19E	O-RING 24x2.5	2	
20	CPC-240-20E	O-RING 19x2.5	2	
21	CPC-240-21E	O-RING 70x2	1	
22	CPC-240-22E	PACKING 8	1	
23	CPC-240-23E	PACKING 25	1	
24	CPC-240-24E	PACKING 20	1	

BartellParts.com
800-889-0661