

REVISED STARTING  
SERIAL # 150310184



## PARTS LIST MANUAL

# Model CD-5



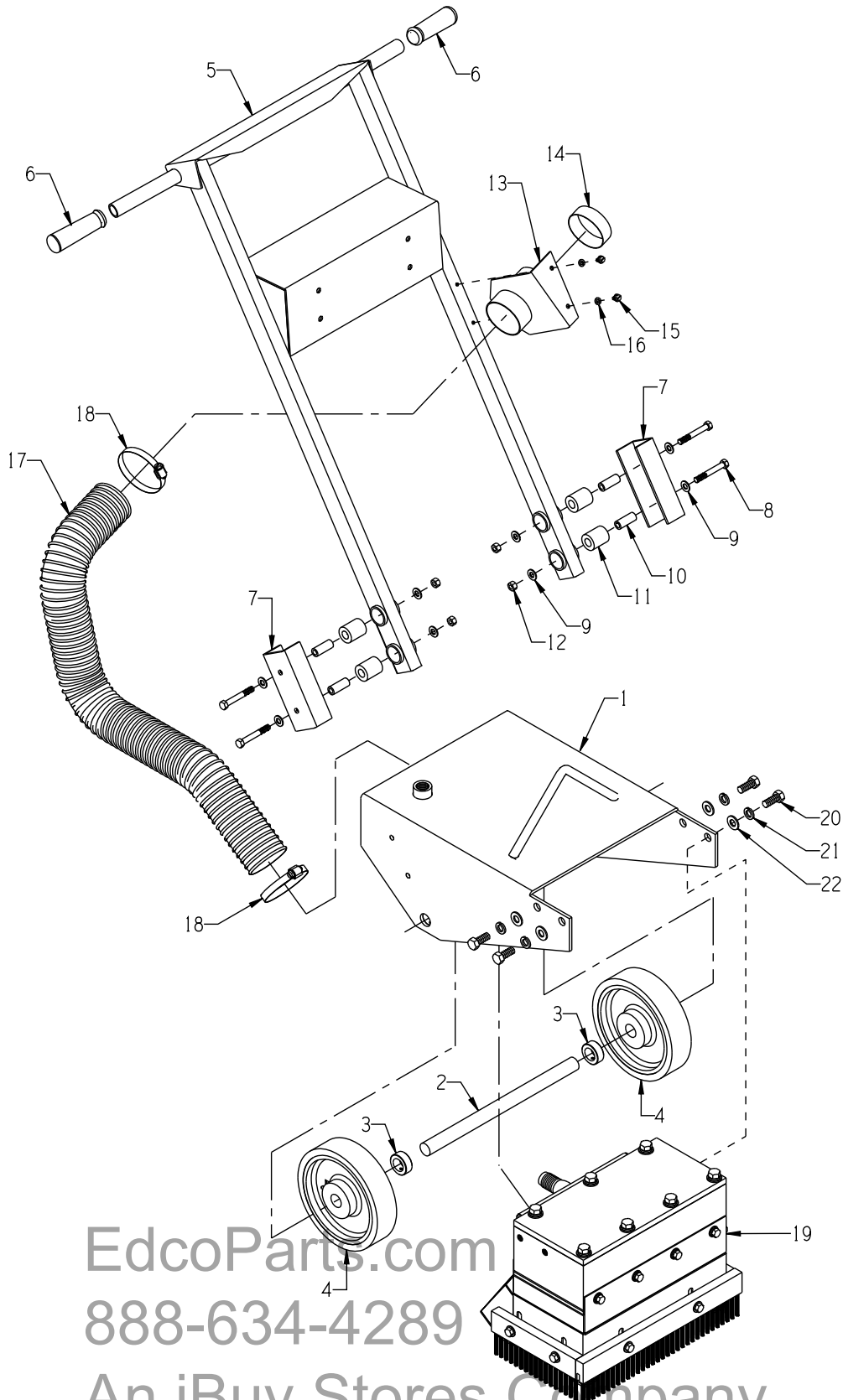
**5-Head Air Powered Scabbler**

EdcoParts.com  
**Part No. 63100**

888-634-4289

An iBuy Stores Company

ILLUSTRATION 1: MAIN GROUPING



EdcoParts.com  
888-634-4289  
An iBuy Stores Company

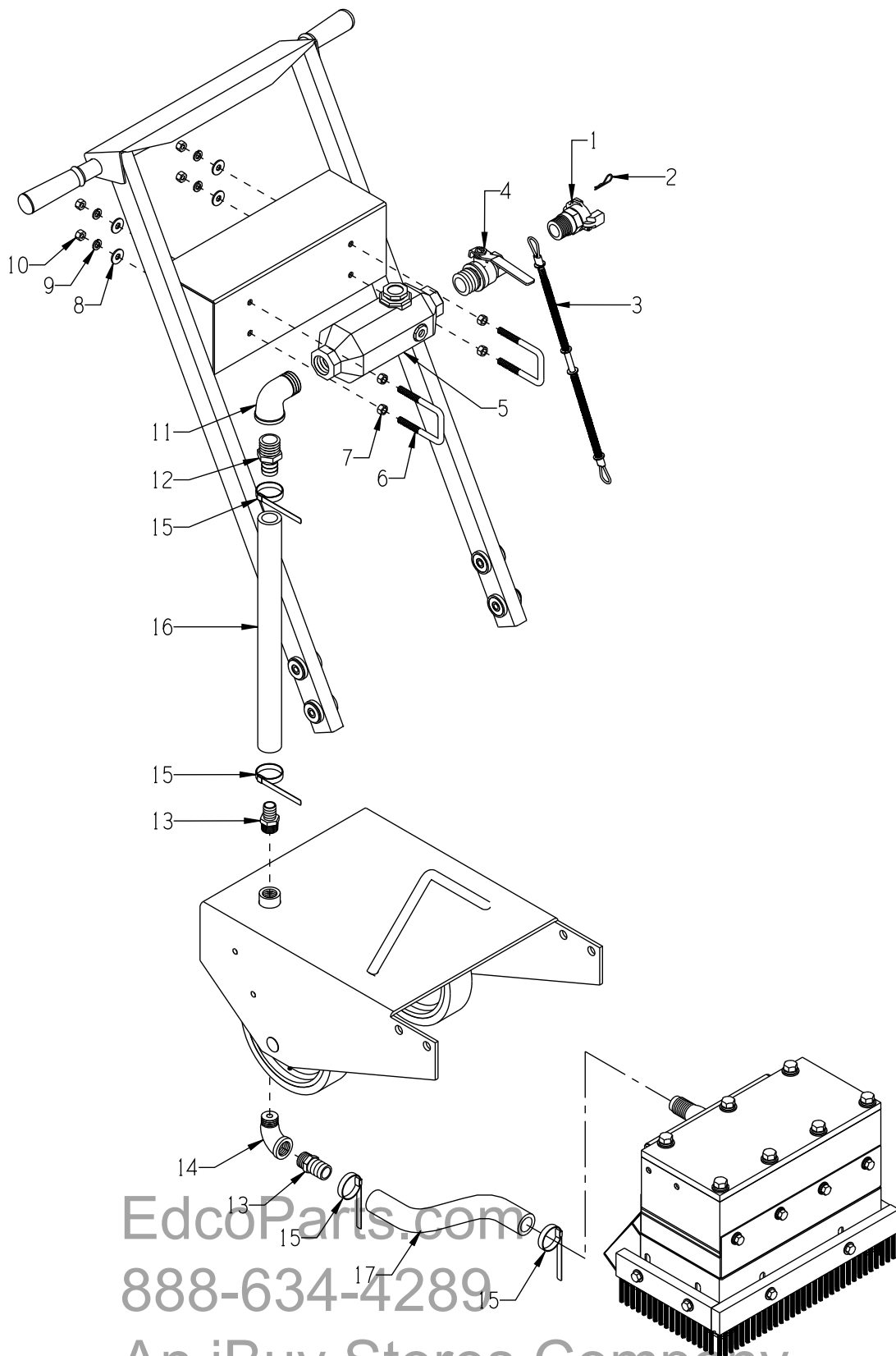
<b>PARTS LISTING - ILLUSTRATION 1: MAIN GROUPING</b>			
<b>ITEM #</b>	<b>PART #</b>	<b>DESCRIPTION</b>	<b>QTY.</b>
1	63101	MAIN FRAME, CD-5	1
2	63053	AXLE SHAFT 1"DIA. X 15"L, CD-5	1
3	10427	COLLAR, LOCKING 1"ID	2
4	63050	WHEEL 8 X 1-15/16 X 1"BRG., POLY	2
5	63151	HANDLE BAR, CD-5	1
6	10608	GRIP, HAND 1" MODEL AT	2
7	63105	BRACKET, HANDLE BAR MOUNTING, CD-5	2
8	10815	SCREW, CAP 3/8-24 X 2-3/4	4
9	10025	WASHER, FLAT 3/8 SAE ZINC	8
10	63107	TUBE, BUSHING CENTER, CD-5 5/8 X 3/8 X 1-9/16	4
11	63106	BUSHING, RUBBER 1-1/4 X 5/8 X 1-5/8	4
12	10004	NUT, HEX LOCK 3/8-24 ZINC	4
13	63112	BRACKET, VACUUM HOSE 3"	1
14	64030	CAP, END 3" BLUE PLASTIC	1
15	10846	SCREW, CAP STSHW 1/4-20 X 1/2	2
16	10038	WASHER, LOCK 1/4 ZINC	2
17	63130	HOSE, FLEX 3"ID X 36"L, CD-5	1
18	10849	CLAMP, HOSE, SAE #52, ADJ. TO 3-3/4	2
19	-----	CYLINDER BLOCK ASSEMBLY (REFER TO ILLUS. 3 FOR BREAKDOWN)	1
20	11672	SCREW, CAP 1/2-13 X 1-1/4	4
21	10045	WASHER, LOCK 1/2 ZINC	4
22	10312	WASHER, FLAT 1/2 SAE ZINC	4

EdcoParts.com

888-634-4289

An iBuy Stores Company

ILLUSTRATION 2: LUBRICATOR & AIR HOSE GROUPING



EdcoParts.com  
888-634-4289  
An iBuy Stores Company

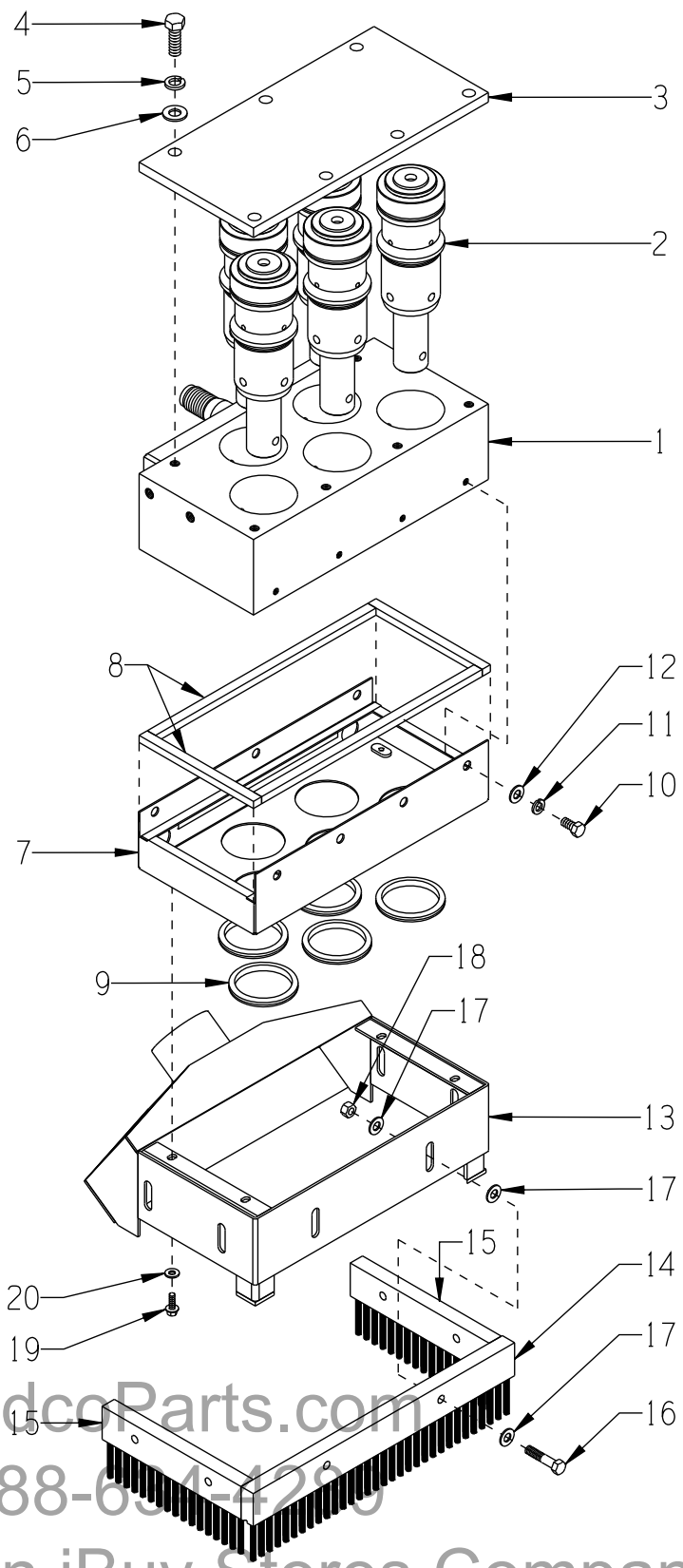
<b>PARTS LISTING - ILLUSTRATION 2: LUBRICATOR &amp; AIR HOSE GROUPING</b>			
<b>ITEM #</b>	<b>PART #</b>	<b>DESCRIPTION</b>	<b>QTY.</b>
1	63129	COUPLER, AIR HOSE, 1"MPT	1
2	61066	PIN, HAIR COTTER .080" X 1-9/16"OAL	1
3	63040	CABLE, WHIPCHEK SAFETY 1/8 X 20-1/4	1
4	63128	VALVE, BALL 1"FPT X 1"MPT, CD-5	1
5	63150	LUBRICATOR, 1 PINT, 1"NPT, CD-5	1
6	63214	U-BOLT, SQ. BEND 3/8-16 X 2 X 5	2
7	-----	NUT, HEX 3/8-16 (INCLUDED W/ U-BOLT)	4
8	-----	WASHER, FLAT 3/8 (INCLUDED W/ U-BOLT)	4
9	10811	WASHER, LOCK 3/8 ZINC	4
10	10404	NUT, HEX 3/8-16 ZINC	4
11	50083	ELBOW, STREET 1"NPT X 90 (BLACK)	1
12	63127	BARB, 1"HOSE X 1"MPT (BRASS)	1
13	63047	BARB, 1"HOSE X 3/4MPT (BRASS)	2
14	10727	ELBOW, STREET 3/4NPT X 90 (BLACK)	1
15	63071	CLAMP, HOSE 1-3/8"ID X 3/8"W X .025	4
16	63120	HOSE, AIR 1"ID X 17-5/8"L, CD-5	1
17	63119	HOSE, AIR 1"ID X 11-1/4"L, CD-5	1

EdcoParts.com

888-634-4289

An iBuy Stores Company

**ILLUSTRATION 3: CYLINDER BLOCK GROUPING**



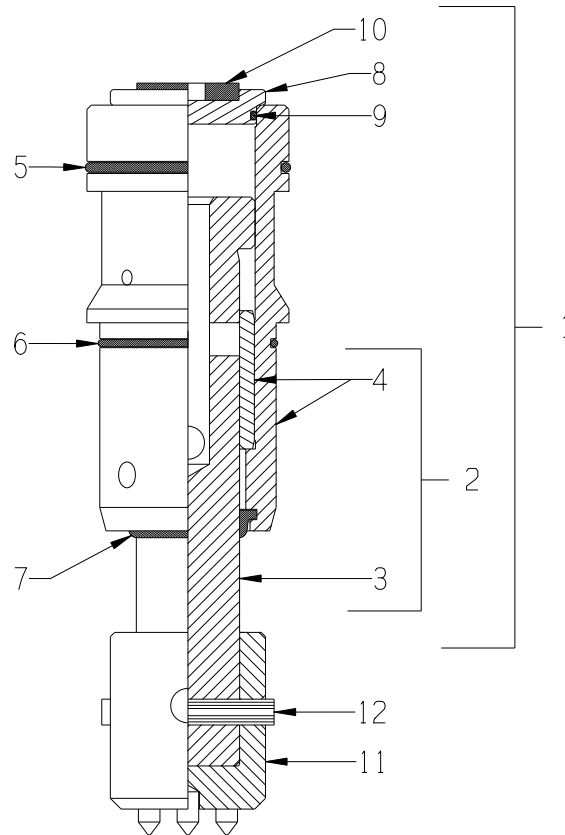
<b>PARTS LISTING - ILLUSTRATION 3: CYLINDER BLOCK GROUPING</b>			
<b>ITEM #</b>	<b>PART #</b>	<b>DESCRIPTION</b>	<b>QTY.</b>
1	63024	BLOCK WELDMENT, CYLINDER, CD-5	1
2	63010	PISTON & CYLINDER ASSEMBLY, CD-3/5	5
3	63023	PLATE, CYLINDER BLOCK TOP, CD-5	1
4	10356	SCREW, CAP 1/2-13 X 1-1/2	7
5	10045	WASHER, LOCK 1/2 ZINC	7
6	10312	WASHER, FLAT 1/2 SAE ZINC	7
7	63102	EXHAUST BOX, CD-5	1
8	63026	SEALING STRIPS, EXHAUST BOX 1/2"W X 3/8"THK X 7"L (2 REQ'D.) 1/2"W X 3/8"THK X 13-1/2"L (2 REQ'D.)	1 SET
9	63110	GROMMET 2-1/2ID X 1/16GRV.X 2-3/4GD	5
10	10907	SCREW, CAP 3/8-16 X 3/4	7
11	10811	WASHER, LOCK 3/8 ZINC	7
12	10025	WASHER, FLAT 3/8 SAE ZINC	7
13	63103	SKIRT, 3"VACUUM, CD-5	1
14	63113	BRUSH SEAL, 2"H X 16"L, CD-5	1
15	63114	BRUSH SEAL, 2"H X 8-1/2"L, CD-5	2
16	10029	SCREW, CAP 3/8-24 X 1-3/4	6
17	10025	WASHER, FLAT 3/8 SAE ZINC	18
18	10152	NUT, HEX NYLON LOCK 3/8-24 ZINC	6
19	11811	BOLT, FLANGE 1/4-20 X 3/4 ZINC	4
20	10602	WASHER, FLAT 1/4 SAE ZINC	4

EdcoParts.com

888-634-4289

An iBuy Stores Company

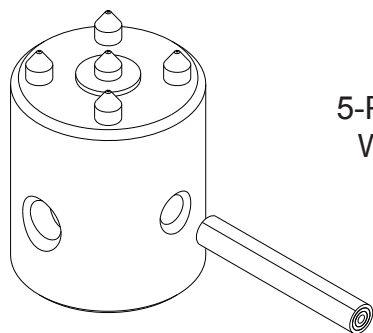
## ILLUSTRATION 4: PISTON & CYLINDER ASSEMBLY



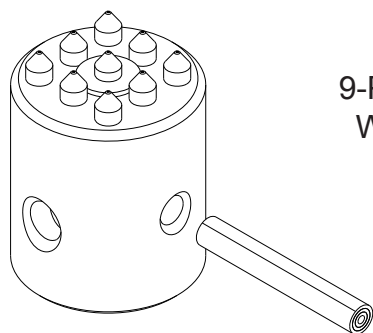
ITEM #	PART #	DESCRIPTION	QTY.*
1	63010	PISTON & CYLINDER ASSY. (ITEMS 2 - 10)	5
2	63010S	PISTON & CYLINDER SET (ITEMS 3 & 4)	1
3	63018	PISTON	1
4	63070	CYLINDER & LINER ASSEMBLY	1
5	63016	O-RING #231, 1/8 X 2-5/8"ID	1
6	63013	O-RING #133, 3/32 X 1-13/16"ID	1
7	63019	WIPER RING, PISTON	1
8	63012	CAP, CYLINDER TOP	1
9	63017	O-RING #141, 3/32 X 2-5/16"ID	1
10	63011	INSERT, TOP CAP	1
11	18810 18820	TUNGSTEN CARBIDE BIT W/ PIN (ITEM 12) UNIVERSAL BIT W/ PIN, 5-POINT UNIVERSAL BIT W/ PIN, 9-POINT	1
12	63056	PIN, H.D. COILED SPRING 3/8 X 2-1/2 (INCLUDED W/ ITEM 11)	1

\*NOTE: THERE ARE 5 TOTAL ASSEMBLIES (ITEM 1) PER SCABBLER.  
 QUANTITIES FOR ITEMS 2 THRU 10 ARE BASED ON 1 ASSEMBLY.  
 ITEMS 11 & 12 ARE NOT INCLUDED WITH THE 63010 ASSEMBLY.

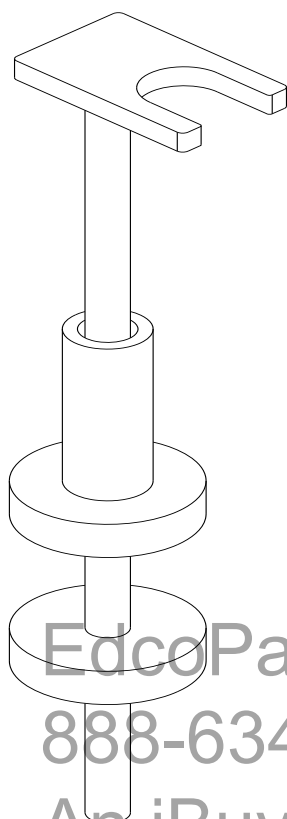
**ILLUSTRATION 5: SCABBLER ACCESSORIES**



5-POINT TUNGSTEN CARBIDE BIT  
WITH H.D. COILED SPRING PIN  
PART # 18810  
5 REQUIRED



9-POINT TUNGSTEN CARBIDE BIT  
WITH H.D. COILED SPRING PIN  
PART # 18820  
5 REQUIRED



BIT REMOVING TOOL  
(SLIDE HAMMER)  
PART # 63220

OPTIONAL  
(NOT INCLUDED WITH SCABBLER)

EdcoParts.com

888-634-4289

An iBuy Stores Company

DECAL SHEET

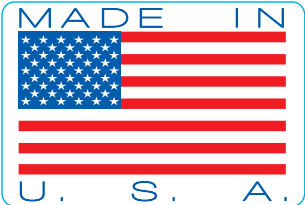


CHECK OIL DAILY

exceeds 85dBA



CD3 & CD5 14 x 17  
P/N 92220 RevA



EdcoParts.com  
888-634-4289  
An iBuy Stores Company