

OPERATOR'S MANUAL & PARTS

Chain Saw CS3814/CS4116



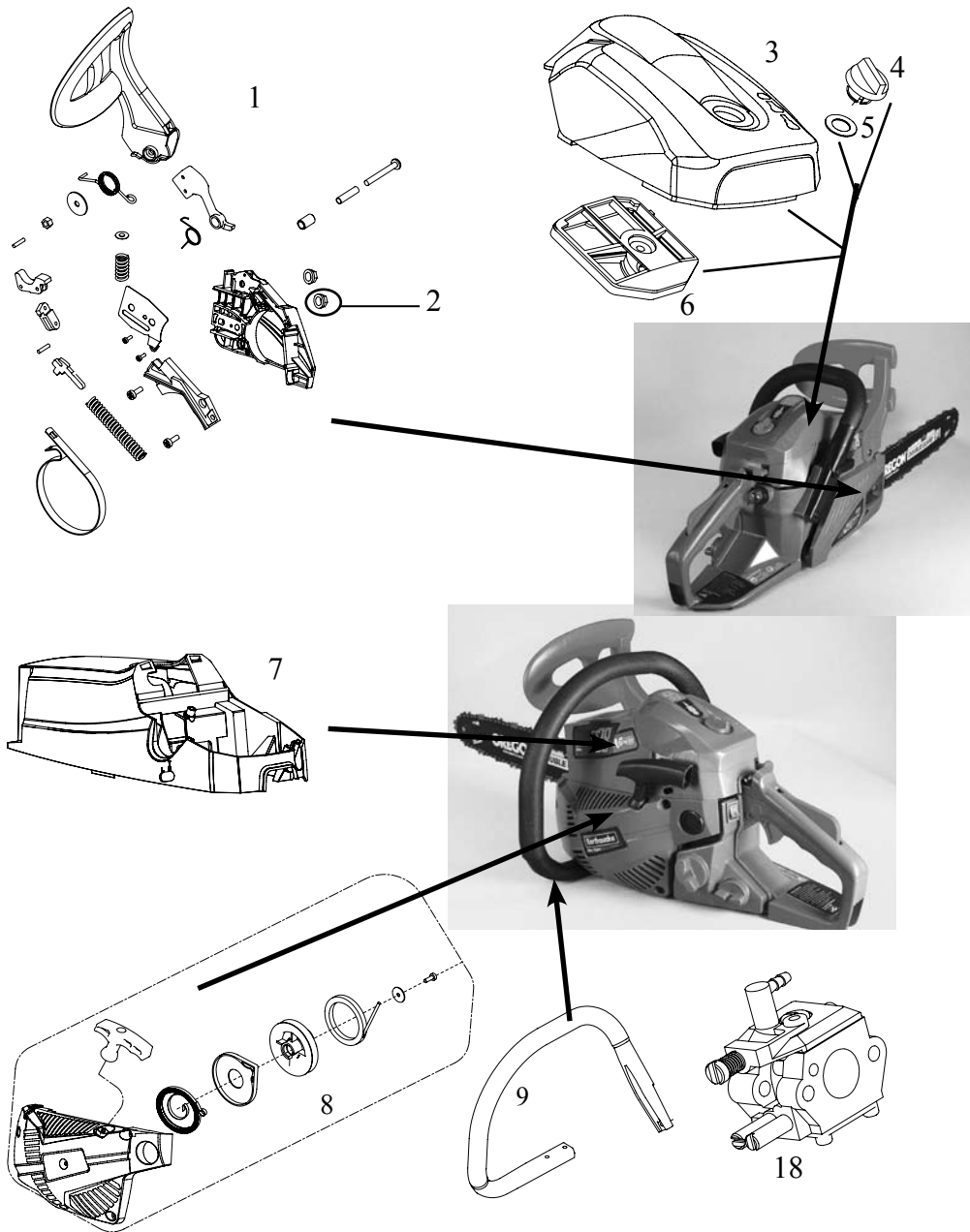
⚠ WARNING

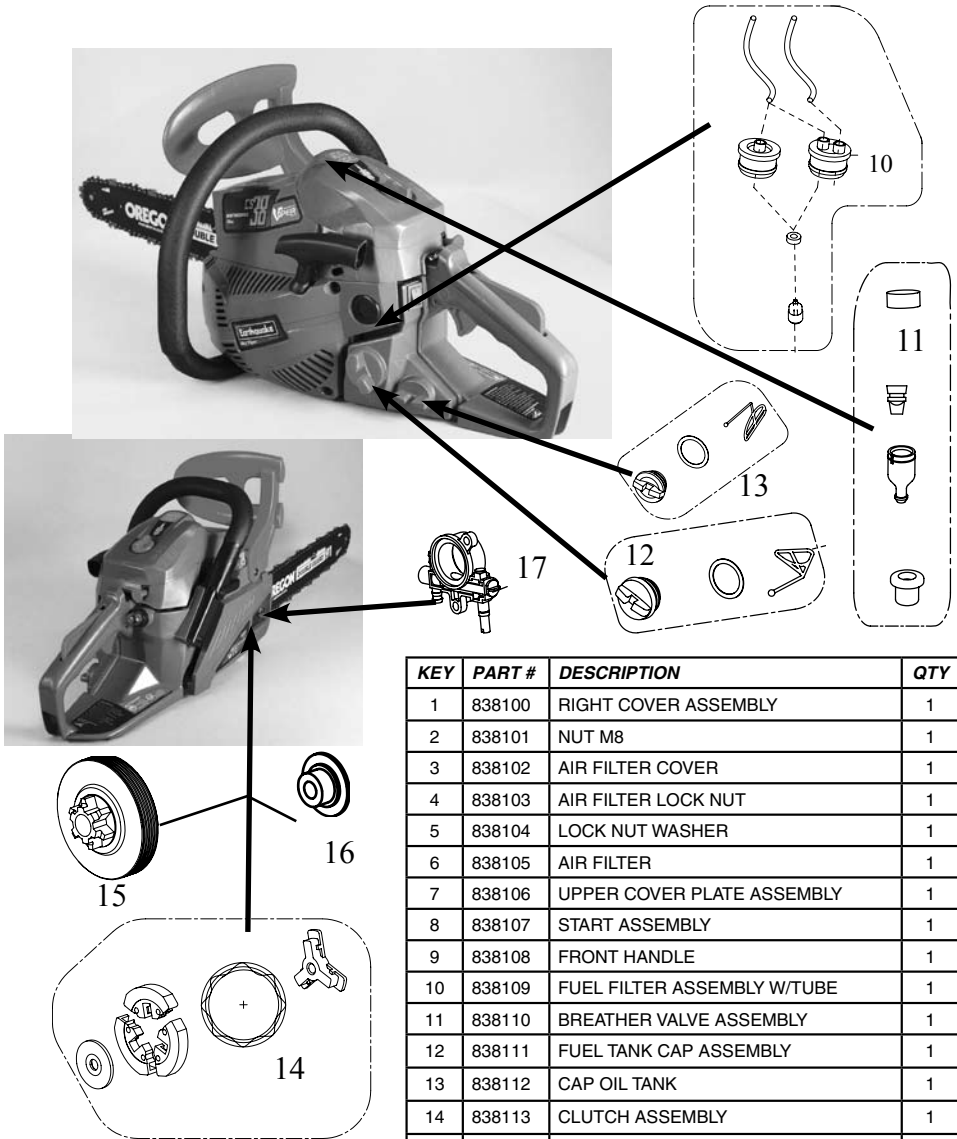
Before using our products, please read this manual carefully to understand the proper use of your unit.

OMCS3814_CS4116

R082809

© Copyright 2009 Ardisam, Inc.
All Rights Reserved. Printed in China.





KEY	PART #	DESCRIPTION	QTY
1	838100	RIGHT COVER ASSEMBLY	1
2	838101	NUT M8	1
3	838102	AIR FILTER COVER	1
4	838103	AIR FILTER LOCK NUT	1
5	838104	LOCK NUT WASHER	1
6	838105	AIR FILTER	1
7	838106	UPPER COVER PLATE ASSEMBLY	1
8	838107	START ASSEMBLY	1
9	838108	FRONT HANDLE	1
10	838109	FUEL FILTER ASSEMBLY W/TUBE	1
11	838110	BREATHER VALVE ASSEMBLY	1
12	838111	FUEL TANK CAP ASSEMBLY	1
13	838112	CAP OIL TANK	1
14	838113	CLUTCH ASSEMBLY	1
15	838114	CLUTCH SHELL	1
16	838115	WORM	1
17	838116	OIL PUMP	1
18	838118	CARBURETOR	1