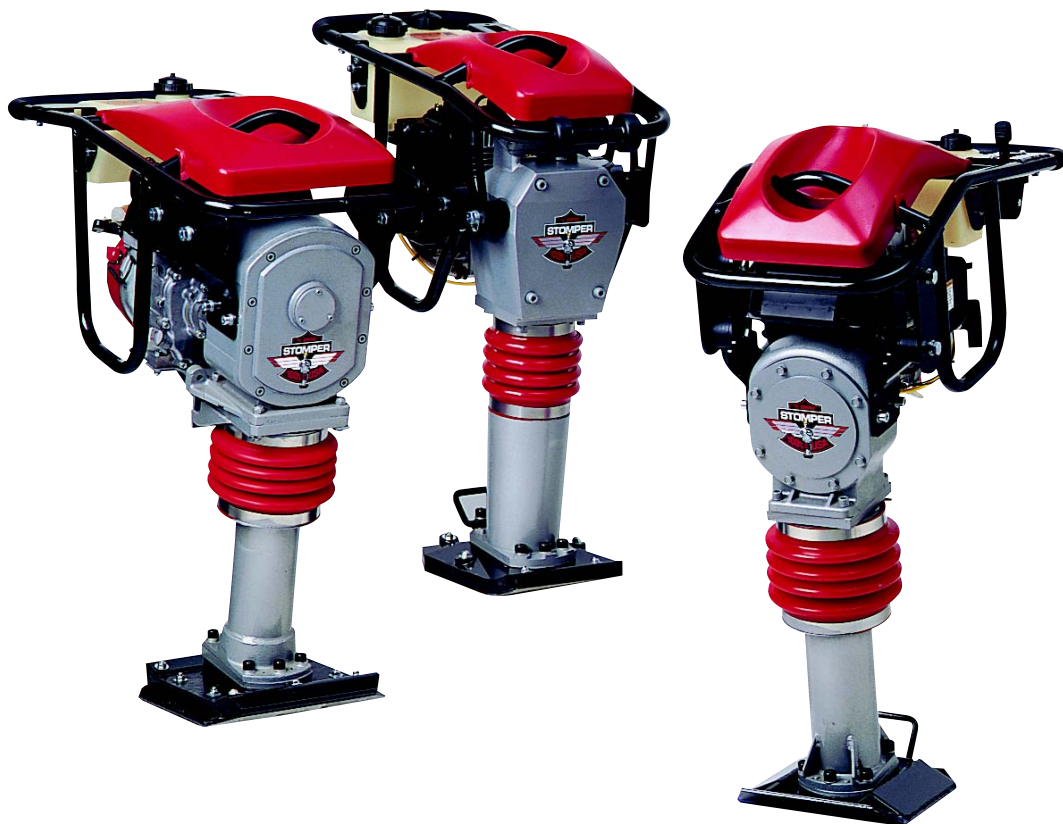




OPERATOR/SERVICE MANUAL

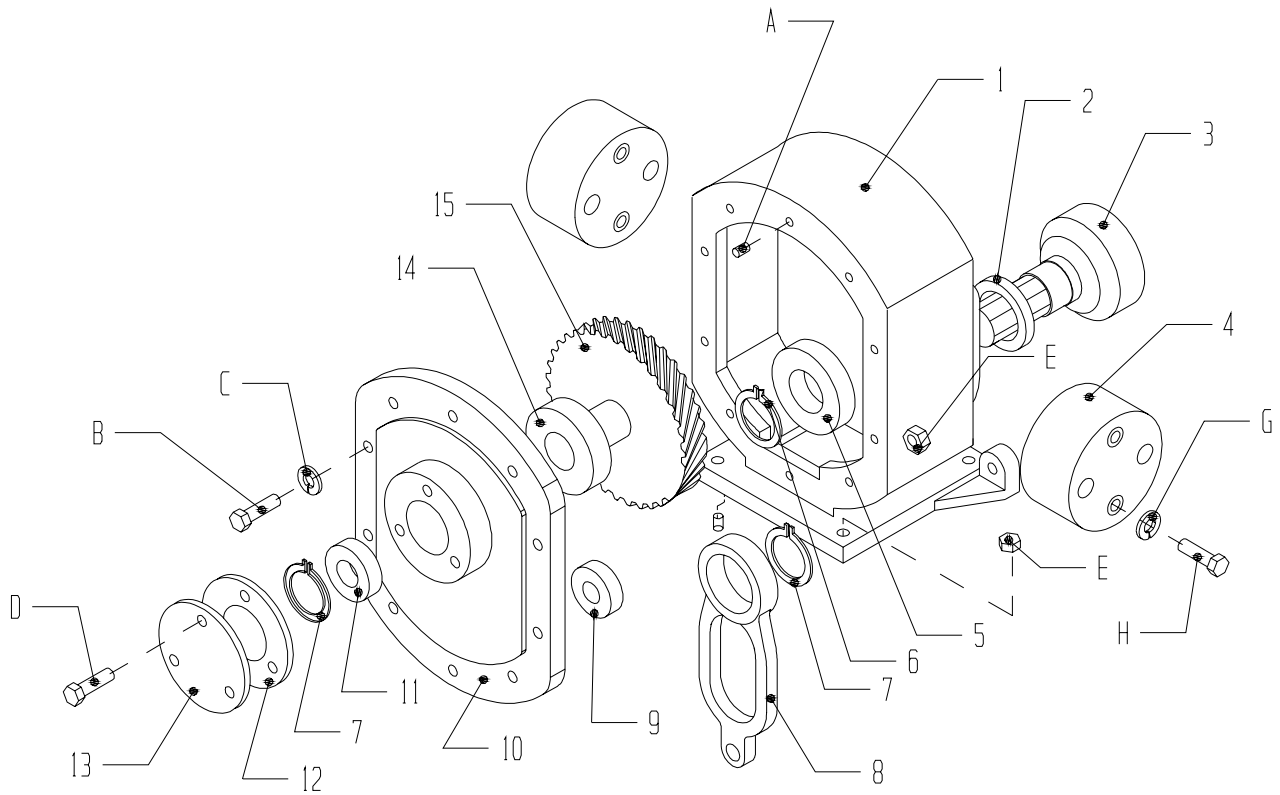
MODEL: XN650R, XN650ROI, XT728R,
XT728ROI, XM832R, XM832ROI,
XJ834HG, XD836Y



STOMPER® - 2 Cycle Oil Injected and Pre-Mix,
4 Cycle and Diesel

A 100% employee-owned American manufacturer

8.5 Gearcase- XD Diesel



SD836-1B

8.5 Gearcase- XD Diesel

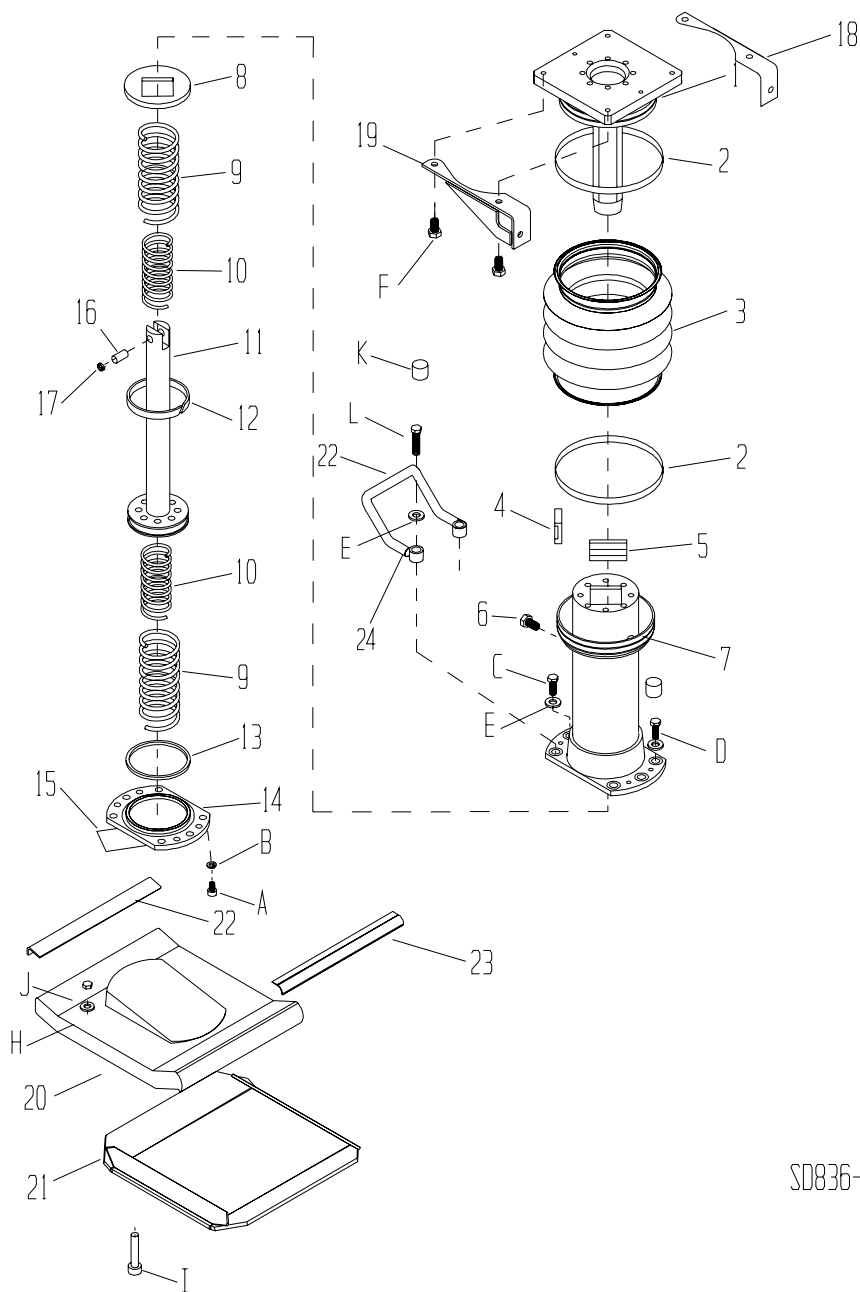
Item	Part No.	Description	Qty.
1	65072	Gearcase Machined Diesel	1
2	39224	Shaft Seal	1
3	43176	Clutch Shaft Weld 14T	1
4	65025	Shock Mount Metric	2
5	32177	Ball Bearing 6208-2RS	1
6	32305	Ring Ext Retaining 1.57	1
7	30191	Ring External 63/64	2
8	43177	Conn Rod Assembly Machined	1
9	32023	Bearing Ball .787	1
10	65073-2	Gearcase Cover	1
10A#	23039-2	Gearcase Cover Assembly	1
11	32212	Bearing 205	1
12	30189	Gasket Speed Cover	1
13	65073	Speed Cover - Diesel	1
14	32214	Bearing 1.378	1
15	43179	Weldment Crank Gear 70T	1

Item	Part No.	Description	Qty.	DIN
A	80002	PINDL 1/4 x 5/8 PLN	4	-
B*	80810	SHCS M8 -1.25 x 20 8.8 ZN	10	912
C	80812	WSHRL M8 Split ZN	10	27B
D*	80821	SHCS M5 -.8 x 16 8.8 ZN	3	912
E	80833	NUTNY M10 - 1.5 ZN	4	985
G	80804	WSHRL M10 Split ZN	4	127B
H*	80825	SHCS M10 -1.5 x 50 8.8 ZN	4	912

* Loctite Required

PN 23039-2 includes 7, 9 - 13

8.10 Lower Unit- XD Diesel & XJ 4 Cycle



SD836-2D



THE SPRING RETAINING BASE PLATE RETAINS HEAVY SPRINGS UNDER COMPRESSION. FOLLOW THE INSTRUCTIONS (BASE PLATE REMOVAL LOCATED ON PAGE 53 OF THIS MANUAL) CAREFULLY OR SEVERE PERSONAL INJURY MAY OCCUR.

8.10 Lower Unit- XD Diesel & XJ 4 Cycle

Item	Part No.	Description	Qty.	
1	65032-2	Guide Tube Weld	1	
2	44106	Clamp Boot	2	
3	47361	Boot Urethane	1	
4	27938	Bushing Short Square Guide	2	
5	27939	Bushing Long Square Guide	2	
6	34096	Oil Sight Plug	1	
7	65069-2	Spring Housing Diesel	1	
8	42318	Spring Spacer Cast	1	
9	42661	Blue/Blue Spring Outer	2	
10	42662	Blue/Yellow Spring Inner	2	
11	43181	Weldment Diesel Piston	1	
12	28694	Ring Piston	1	
13	32033	O-Ring 01-242 All	1	
14	65065	Shoe Plate Diesel	1	
15	55026	Decal Warning Spring	1	
16	80423	Con Rod Pin .5 x 1.25 P	1	
17	80519	Ring Internal 1/2 PLN	1	
18	65067-2	Weldment Support Guide Right	1	
19	65066-2	Weldment Support Guide Left	1	
20	47302	Shoe	1	
21	65028	Insert	6	
22	65064-2	Base Plate Weld	1	
23	42353	Stiffener Rear	1	
24	29215	Shoe Guard	1	
25	39480	Lifting Grip Weld Assembly (XJ)	1	
26^	23038	Shoe Kit	1	

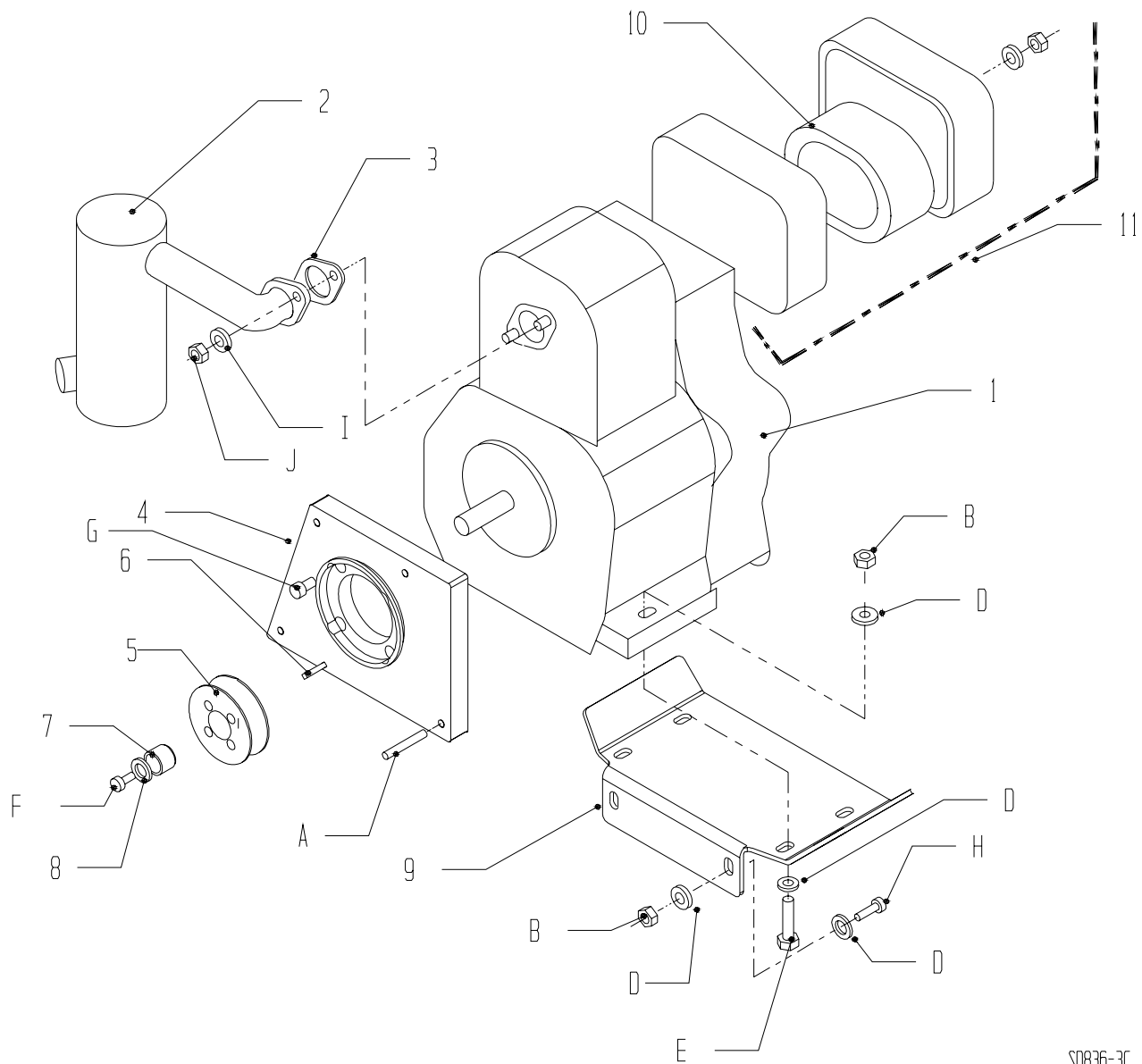
Item	Part No.	Description	Qty.	DIN
A*	80720	SHCS M8 -1.25 x 25 8.8 ZN	4	912
B	80812	WSHRL M8 Split ZN	10	127B
C*	80822	SHCS M12 -1.75 x 50 8.8 ZN	3	912
D*	80946	SHCS M12 -1.75 x 90 8.8 ZN	1	912
E	80826	WSHR M12 Split ZN	6	127B
F*	81158	HHCS M10 -1.5 x 60 8.8 ZN	4	933
H	80813	WSHR M8 x 24 OD ZN	10	9021B
I*	80823	FHSCS M8 -1.25 x 50 10.9 ZN	10	7991
J	80814	NUTNY M8 ZN	10	985
K	80765	Cap Plastic Blk	6	-
L	80943	SHCS M12 - 1.75 x 100 8.8	2	912

See Warning for Base Plate

* Loctite Required

^ Shoe Kit (not shown) Includes Items 20, 21, 22, 23, B, C, D, H, I, L

8.12 Engine - XD Diesel



SD836-3C

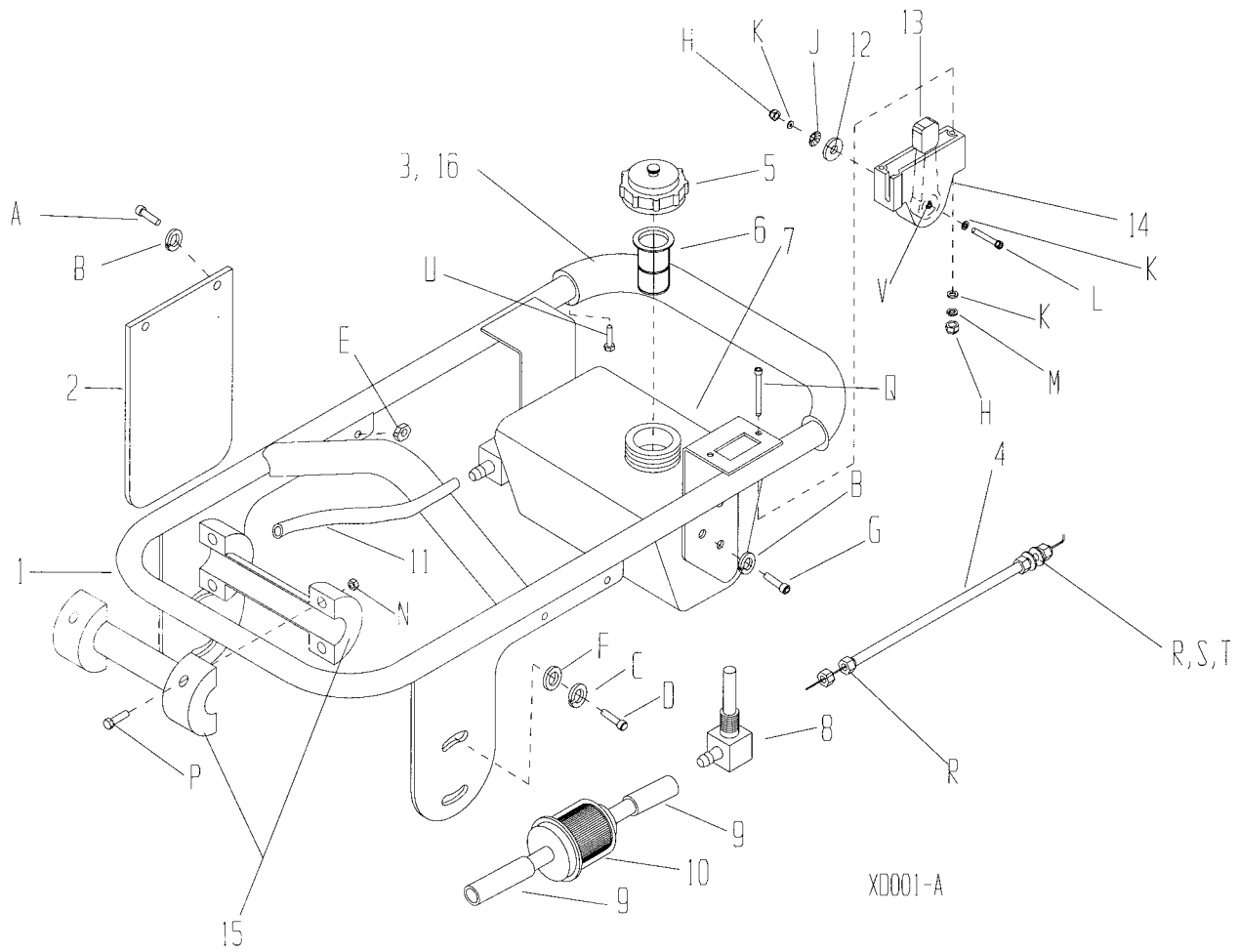
8.12 Engine - XD Diesel

Item	Part No.	Description	Qty.
1	31244	Engine Yanmar L40A 4HP	1
2	31245	Muffler Special Yanmar	1
3	39236	Gasket Exhaust	1
4	65071	Adaptor Yanmar L40 Diesel	1
5	23042	Clutch Assembly	1
6	80611	Square Key	1
7	43187	Spacer Clutch Hub Diesel	1
8	65075	Washer Clutch Retainer	1
9	65068	Weldment Engine Support	1
10	39235	Air Filter with Precleaner	1
11	39237	Air Filter Assembly	1

Item	Part No.	Description	Qty.	DIN
A*	80902	STUD M10 - 1.5 x 60 8.8 ZN	4	939
B	80833	NUTNY M10 - 1.5 ZN	6	985
D	80806	WSHR M10 Flat 200D ZN	12	125A
E*	80838	HHCS M10 - 1.5 x 50 8.8 ZN	4	931
F*	80173	HHCS5/16 - 24 x 1 GR5 ZN	1	-
G*	80810	SHCS M8 - 1.25 x 20 8.8 ZN	4	912
H*	80803	SHCS M10 - 1.5 x 25 8.8 ZN	2	912
I	80813	WSHR M8 Flat 24 OD ZN	2	9021B
J	80814	NUTFX M8 - 1.25 ZN2	2	934

* Loctite Required

8.16 Handle and Fuel Tank - XD Diesel



8.16 Handle and Fuel Tank - XD Diesel

Item	Part No.	Description	Qty.	
1	39482-2	Handle Assembly Weld Diesel	1	
2	65007-2	Guard Side	2	
3	39483	Handle Grip Cushion	1	
4^	39486	Throttle Cont. Conn.	1	
5	35701	Cap Plastic Gas/Water	1	
6	47219	Fuel Strainer	1	
7	65074	Fuel Tank Modified Diesel	1	
8	39056	Valve/Strainer	1	
9	47385	Fuel Line 5/16 ID	4FT	
10	39234	Fuel Filter Diesel	1	
11	47386	Fuel Line 1/4 ID	1FT	
12	39402	Washer Clutch	1	
13	39387	Throttle Lever	1	
14	39386	Throttle HSG	1	
15**	23138	Kit Wheel Handle (optional)	1	
16	42819	Tube Grip	1	
Item	Part No.	Description	Qty.	DIN
A*	80810	SHCS M8 - 1.25 x 20 8.8 ZN1	2	912
B	80812	WSHRL M8 Split ZN	8	127B
C	80804	WSHRL M10 Split ZN	4	127B
D*	80803	SHCS M10 - 1.5 x 25 8.8 ZN	4	912
E	80817	NUTNY M8 - 1.25 ZN	4	985
F	80806	WSHR M10 Flat 20 OD ZN	4	125A
G*	80894	SHCS M8 - 1.25 x 16 8.8 ZN	6	912
H	80851	NUTNY M6 - 1 ZN	3	985
J	80939	WSHR Belleville 1/4 ID	1	-
K	80856	WSHR M6 Flat ZN	4	125A
L	80947	HHCS M6 - 1 x 40 8.8 ZN	1	931
M	80860	WSHRL M6 Split ZN	2	127
N	80850	NUTNY M5 - .8 ZN	4	985
P	80821	SHCS M5 - .8 x 16 8.8 ZN	4	933
Q	80940	SHCS M6 - 1 x 60 8.8 ZN	2	912
R	80247	NUTFX 5/16 - 24 ZN	4	-
S	80086	WSHRL 5/16 Split ZN	1	-
T	80495	WSHR 5/16 Plain ZN	1	-
U	80586	HWHST 5/16 - 18 x .50 ZN	2	-
V	80347	WSHR 1/4 WROT ZN	1	-
W	81154	PINSP 1/8 x 1-3/4 SST	1	-



* Loctite Required

** Includes 15, N & P

^ Lubricate Throttle Wire

8.19 Decal Identification

1

⚠ CAUTION	OPERATING INSTRUCTIONS
 <p>Hearing protection required when operating this machine.</p>  <p>Read owners manual before operating or servicing this machine.</p>	<p>Before starting, check oil level in oil tank. Fill with a quality grade two cycle oil.</p> <p>With engine off, fill fuel tank with regular grade gasoline.</p> <p>To start engine: Turn ignition/fuel switch to "ON"; open air vent in fuel tank cap; close choke and pull starter rope.</p> <p>To stop: Turn ignition/fuel switch to "OFF" and close fuel cap vent.</p> <p>See owners manual for additional instructions.</p>
55336	

2

◀ STOP

◀ IDLE

◀ START

◀ RUN

55378
Diesel

3

IDLE



START




RUN

55379
Robin

4

OFF



ON

55322

5

AIR FILTER MAINTENANCE

Daily clean filter located on top and the side of the engine.

- Wash foam elements with detergent and water.
- Dry the elements by squeezing between towels.
- Relubricate with engine oil. Squeeze out excess oil and reinstall.

P/N 55337

6

⚠ WARNING

After servicing or repairing unit, make sure oil line is full or engine failure will occur.

55345

8.19 Decal Identification

Item	Part No.	Description	Qty.
1	55336	Decal Caution Instruction	1
2	55378	Decal Throttle	1
3	55379	Decal Throttle Stompers	1
4	55322	Decal On/Off	1
5	55337	Decal Air Filter Maintenance	1
6	55345	Decal Oil Line Warning	1

8.19 Decal Identification

7

CAUTION

FUEL OIL

- USE DIESEL FUEL.
- CLEAN FILTER EVERY 500hrs.

LUBE OIL

- SAE 10W30 GRADE CC
- CHANGE LUBE OIL EVERY 100hrs.
- CLEAN FILTER EVERY 100hrs.

STARTING

- CHECK LUBE OIL LEVEL AND FUEL.
- FOR EAGY STARTING IN COLD WEATHER. ADD 2cc LUBE OIL TO ROCKER ARM COVER.
- WARM UP WITHOUT LOAD.

STOPPING

- CLOSE FUEL COCK AFTER STOPPING ENGINE.

PN 55325

8

HOW TO START

① Open the fuel cock

② Put the Lever in the "START" position.

③ Pull the starting handle slowly.

④ Pull until you feel resistance. Then return it slowly.

⑤ Push the decompression lever down and release.

⑥ Pull the rope hard and fast.

If the engine doesn't start, try again from ③

PN 55324

9

NOTICE

CONTACT THE MANUFACTURER IMMEDIATELY AT 1-800-888-9926 IF SAFETY OR HAZARD DECALS OR OWNER'S MANUAL ARE MISSING FROM THIS EQUIPMENT.

PN 55156

12



• Springs Under Compression
• May Cause Injury
• Consult Manual or Manufacturer Before Removing Plate.
1-800-888-9926
55026

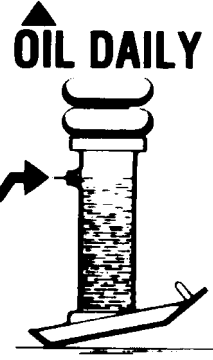
10

CHECK OIL DAILY

USE 30 WT. MOTOR OIL

OIL LEVEL

DO NOT OVERFILL



PN 55053

11

ON



OFF

PN 55377

8.19 Decal Identification

Item	Part No.	Description	Qty.
7	55325	Decal Caution Fuel Yanmar	1
8	55324	Decal How To Start Yanmar	1
9	55156	Decal Notice	1
10	55053	Decal Check Oil Daily	1
11	55377	Decal On/Off Choke	1
12	55026	Decal Warning Spring	1