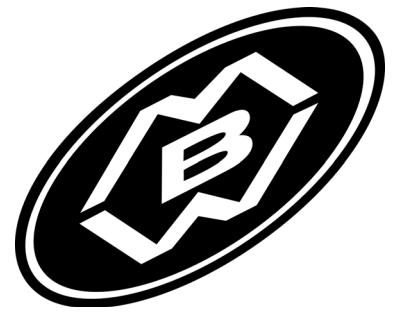


OPERATOR'S SAFETY AND SERVICE MANUAL



GPR65, GPR68 & GPR77

This manual covers the following serial numbers
and higher for each model listed:

GPR65.....6500170
GPR68.....6800300
GPR77.....7700100



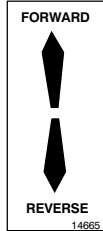
REVERSIBLE PLATES

MBW, Inc.
250 Hartford Rd • PO Box 440
Slinger, WI 53086-0440
Phone: (262) 644-5234
Fax: (262) 644-5169
Email: mbw@mbw.com
Website: www.mbw.com

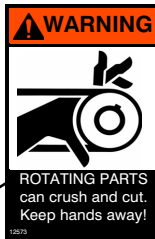
MBW (UK) Ltd.
Units 2 & 3 Cochrane Street
Bolton BL3 6BN, England
Phone: 01204 387784
Fax: 01204 387797
Email: saleseurope@mbw.com
Website: www.mbw-europe.com

L16456 / 10.19.R
©MBW, Inc. 2004
Printed in the USA

GPR65 & GPR68



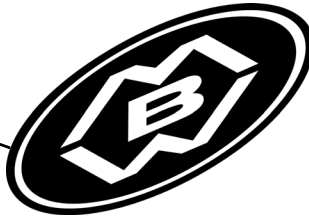
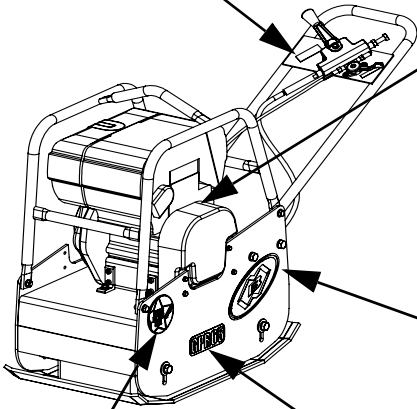
#14665



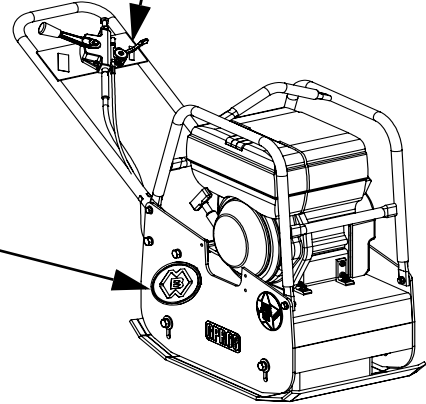
#12573



#19492 GASOLINE
#15843 DIESEL



#21102 (not included in kit)



#21038

GPR65

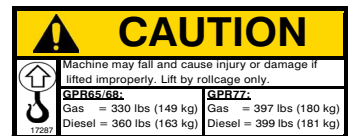
#21794 - GPR65

#21795 - GPR68

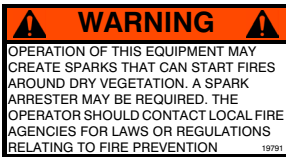
UNLEADED GASOLINE

13481

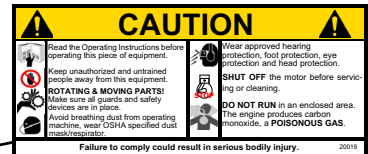
#13481 Gas only



#17287



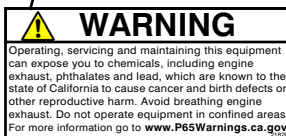
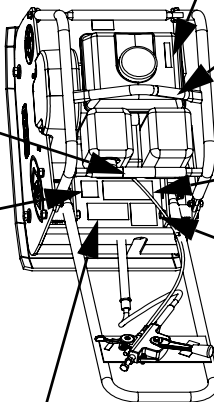
#19791



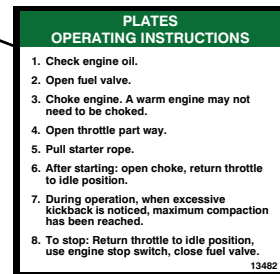
#20019



#21744



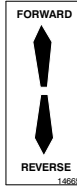
#21820



#13482 GASOLINE
#21169 DIESEL

Safety Decals #16031

GPR77



#14665



#15843 DIESEL
19492 GASOLINE

CAUTION

Machine may fall and cause injury or damage if lifted improperly. Lift by rollers only.

GPR77	GPR77
Gas = 330 lbs (149 kg)	Gas = 397 lbs (180 kg)
Diesel = 360 lbs (163 kg)	Diesel = 399 lbs (181 kg)

#17287

**USE ONLY
ULTRA-LOW
SULFUR
DIESEL FUEL**

#01623 DIESEL

UNLEADED GASOLINE

13481

#13481 GASOLINE

WARNING

ROTATING PARTS
can crush and cut.
Keep hands away!

#12573

**ENGINE
OIL DRAIN**

#15845

WARNING

OPERATION OF THIS EQUIPMENT MAY
CREATE SPARKS THAT CAN START FIRES
AROUND DRY VEGETATION. A SPARK
ARRESTER MAY BE REQUIRED. THE
OPERATOR SHOULD CONTACT LOCAL FIRE
AGENCIES FOR LAWS OR REGULATIONS
RELATING TO FIRE PREVENTION.

#21102



#21038

**DIESEL PLATES
OPERATING INSTRUCTIONS**

1. Check engine oil.
2. Check fuel level.
3. Set engine speed control to middle position.
4. Move decompression lever (if equipped) to the up position. (Located on top of the engine).
5. Use key (if equipped) or starting handle to start engine. Refer to engine manual for proper starting procedure.
6. After starting engine, set throttle to the idle position to allow engine to reach operation temperature.
7. During operation, run engine at full throttle, when excessive kickback is noticed, maximum compression has been reached.
8. To stop: Return throttle to idle position, and allow engine to idle for one minute. Move throttle to stop position to shut off engine. If equipped turn key to off position.

#19791

#21169 DIESEL
#13482 GASOLINE

WARNING

Operating, servicing and maintaining this equipment can expose you to chemicals, including engine exhaust, phthalates and lead, which are known to the state of California to cause cancer and birth defects or other reproductive harm. Avoid breathing engine exhaust. Do not operate equipment in confined areas. For more information go to www.P65Warnings.ca.gov.

#21820



#21744

**ENGINE
OIL DRAIN**

#15845

CAUTION

Read the Operating Instructions before operating this piece of equipment. Always unfastened and unsecured. Keep hands away from the equipment. **ROTATING & MOVING PARTS** - These are all gears and safety devices are in place. **DO NOT RUN** in an enclosed area. The engine produces carbon monoxide, a **POISONOUS GAS**. Failure to comply could result in serious bodily injury.

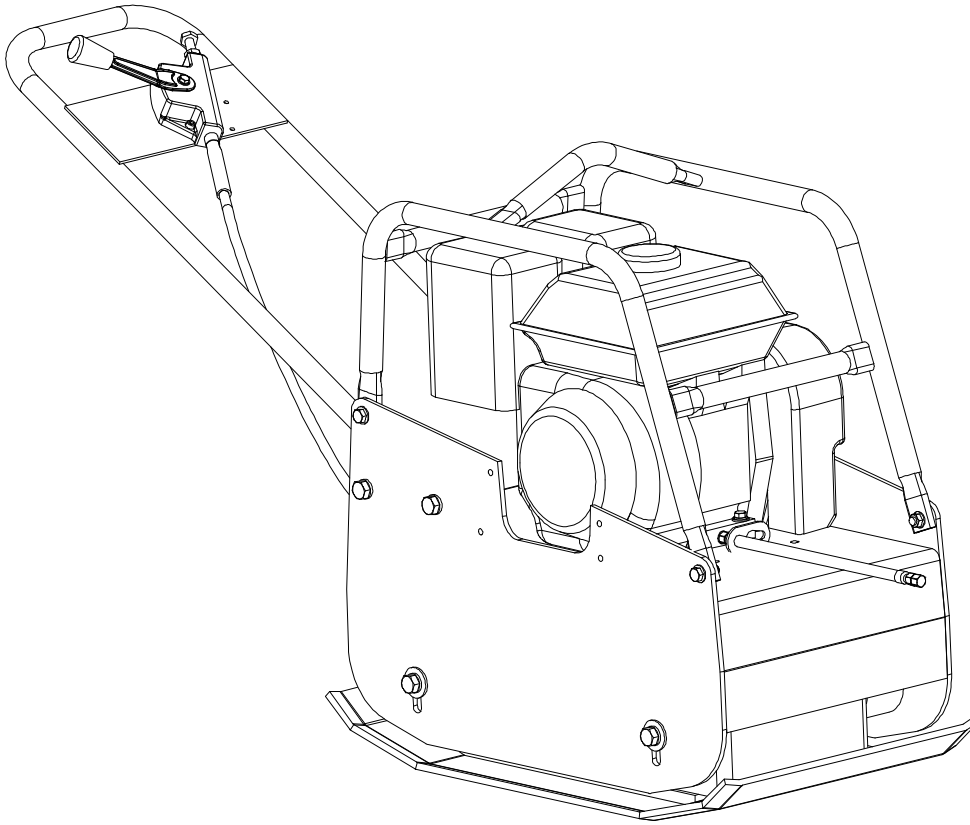
#20019



#21796

Safety Decal Set #16031

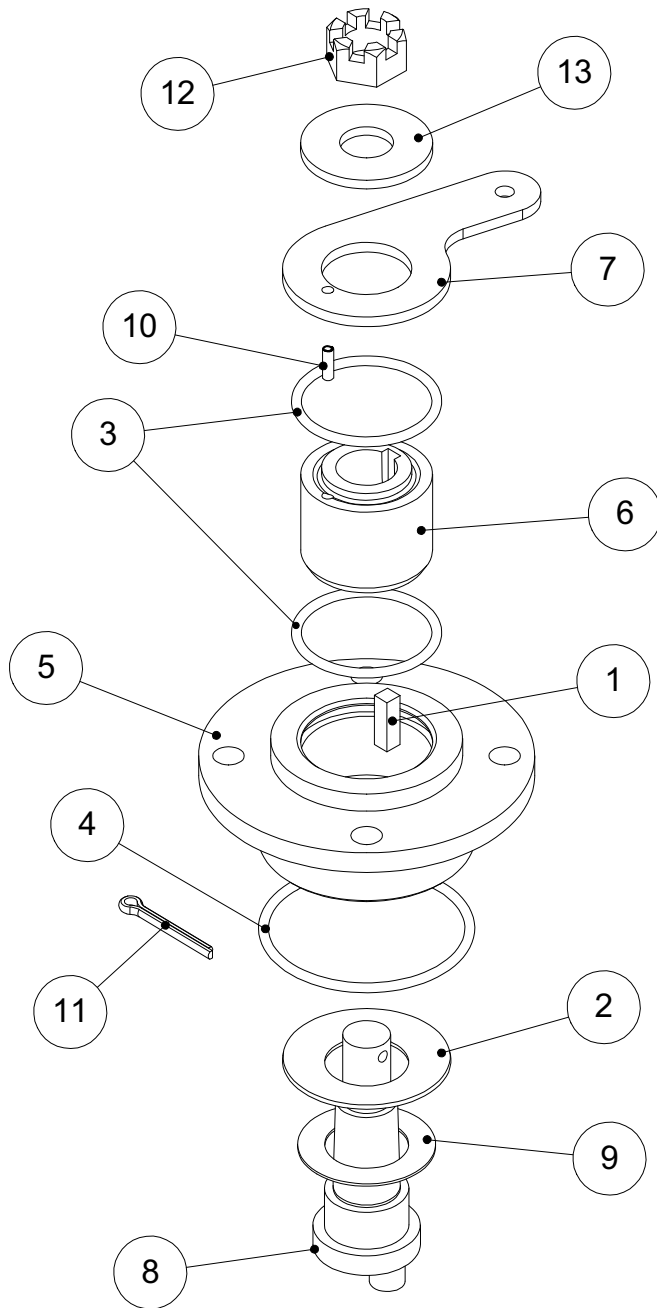
SPECIFICATIONS



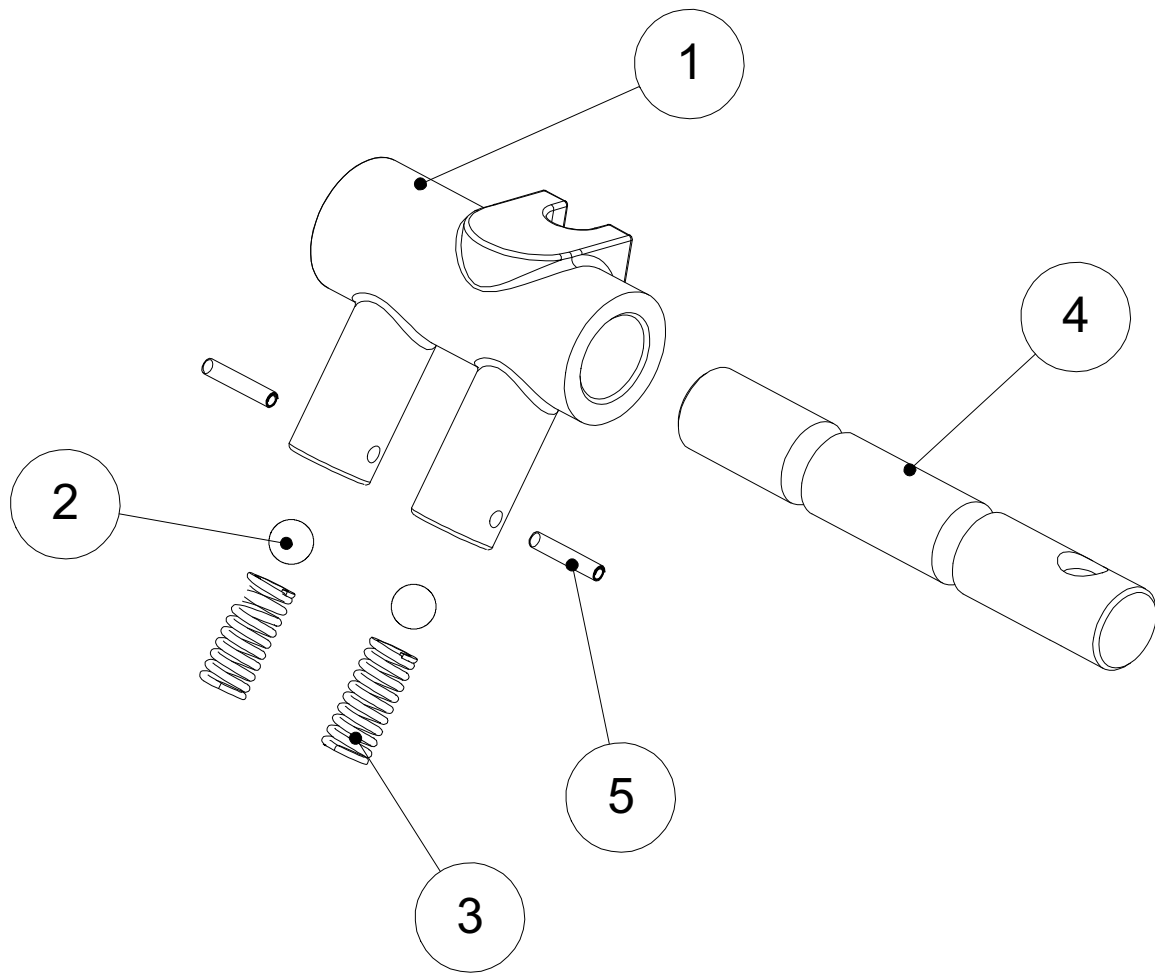
	GPR65	GPR68	GPR77
Centrifugal Force	6000 lbf (27 kN)		7775 lbf (34 kN)
Exciter vpm	4400 vpm		4700 vpm
Width & Length	15 in x 26.3 in (381mm x 668mm)	18 in x 26.3 in (457 mm x 668 mm)	22 in x 26.3 in (559 mm x 668 mm)
Travel Speed	92 ft./min. (28 m/min.)	88 ft./min. (27 m/min.)	86 ft./min. (26 m/min.)
Compaction Depth	Up to 22 in (56 cm) See Note Below		
Compaction Area	6900 sq. ft./hr (640 sq. m/hr)	7920 sq. ft./hr (736 sq. m/hr)	9460 sq. ft./hr (879 sq. m/hr)
Operating Weight	Honda - 325 lbs (147 kg) Hatz-365 lbs (165 kg)	Honda - 330 lbs (150 kg) Hatz- 370 lbs (168 kg)	Honda - 397 lbs (180 kg) Hatz- 399 lbs (181 kg)
Engine Speed	Honda 3400 RPM Hatz 3600 RPM		
Engine	Honda GX160 Hatz 1B20	Honda GX160 Hatz 1B20	Honda GX270 Hatz 1B20

Specifications subject to change without notice

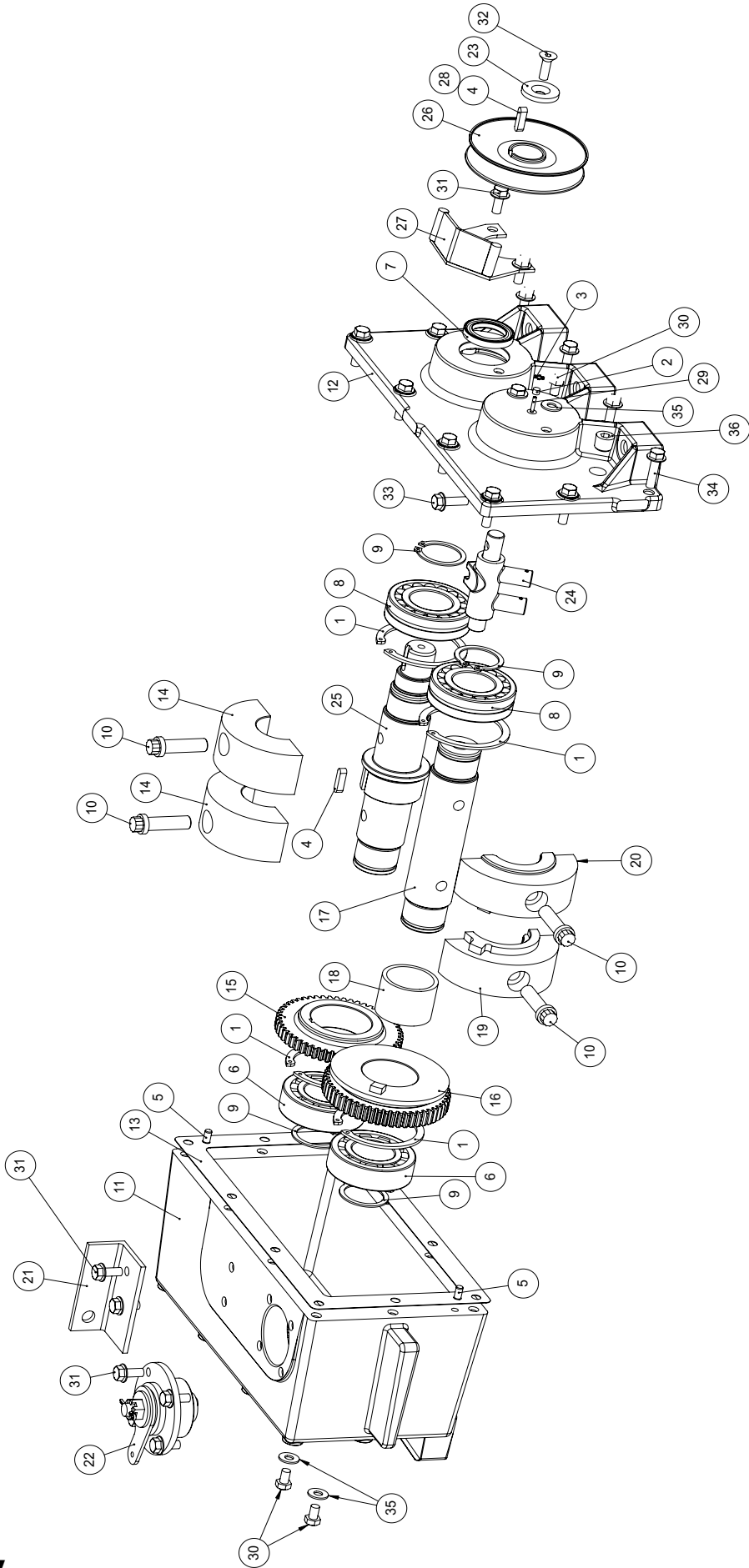
Compaction depth: Clean sand & optimum moisture.
MBW recommends that lifts not exceed 12" (31 cm)



Actuator Assembly

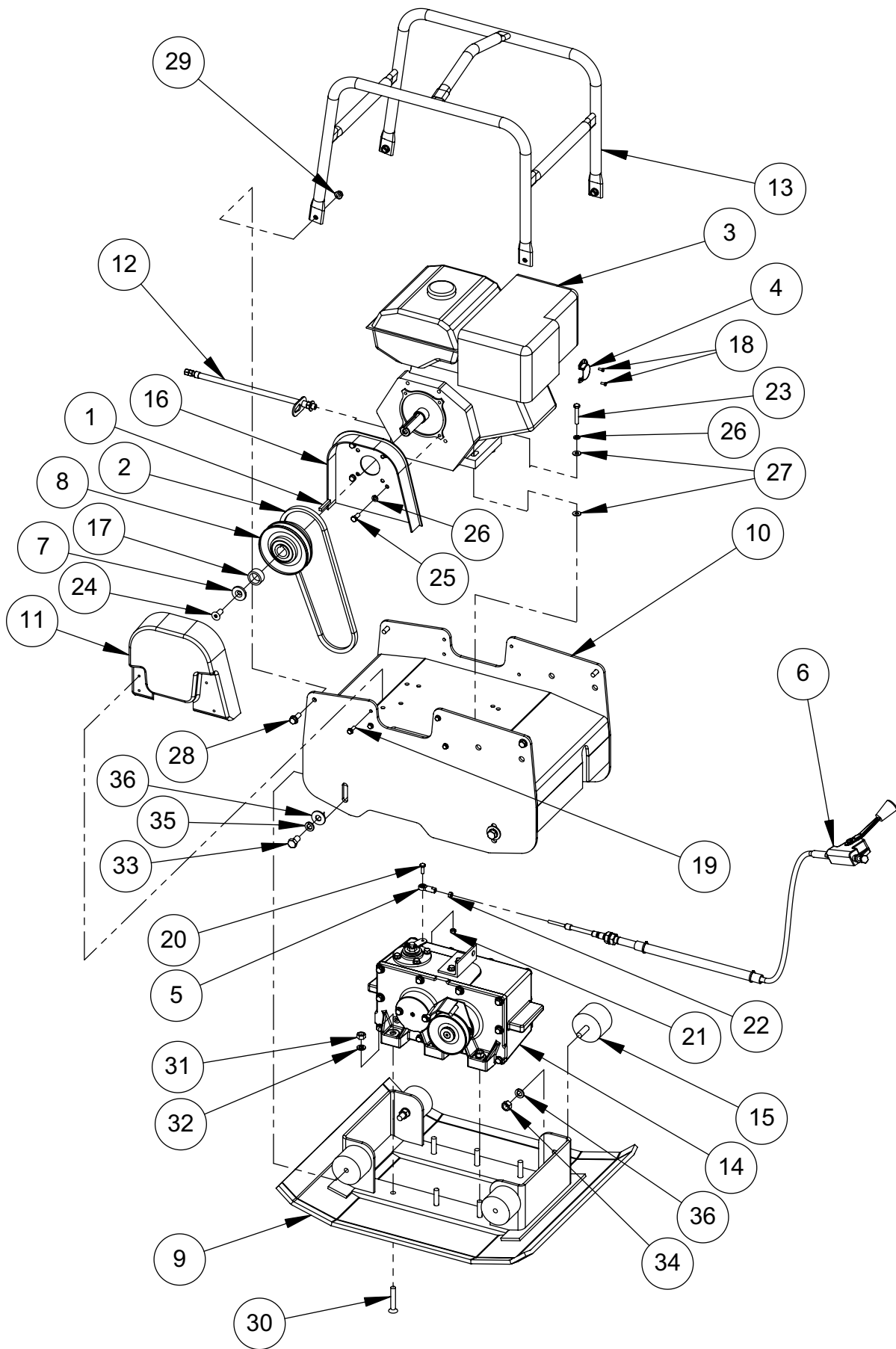


Shifter Assembly



Exciter Assembly

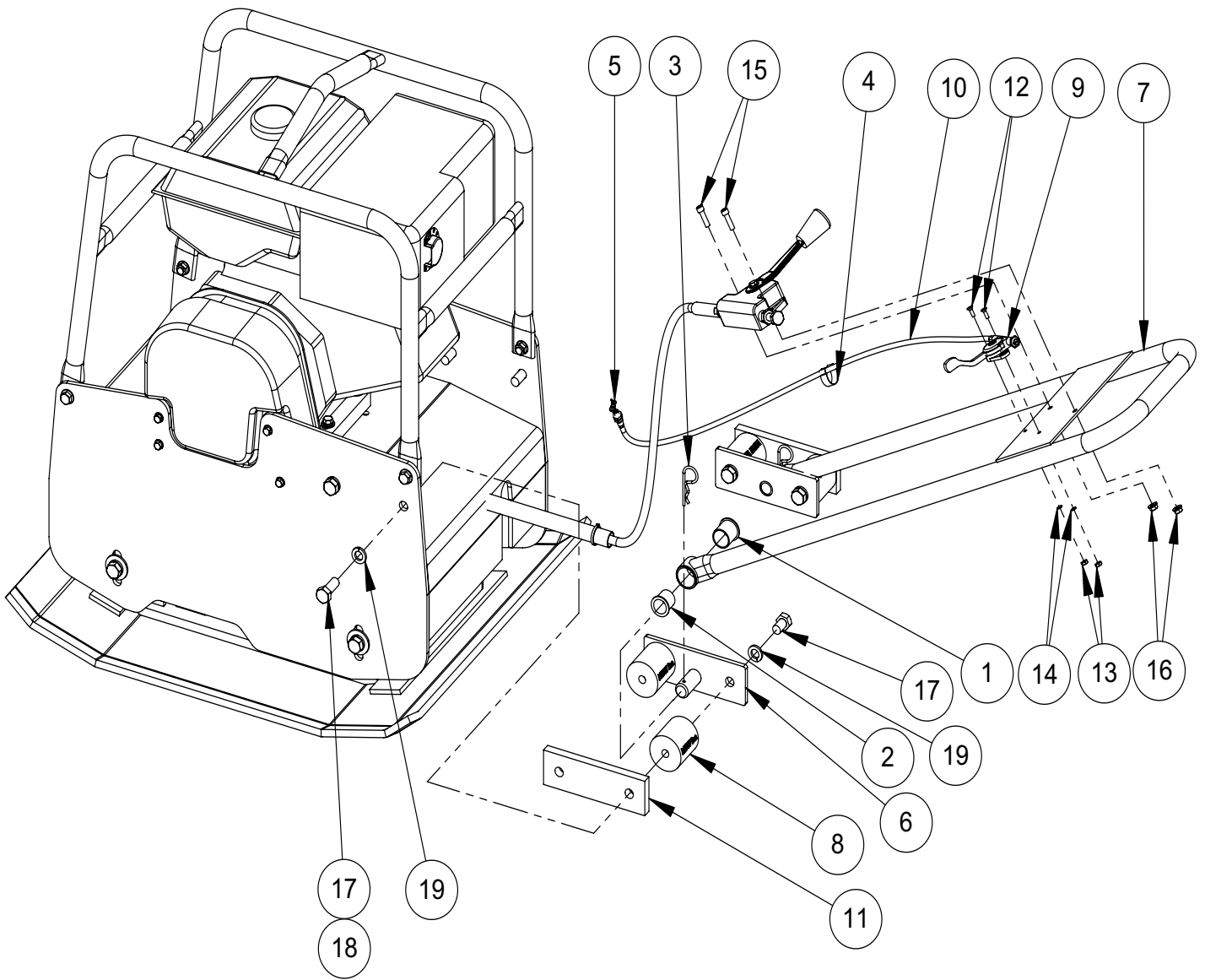
ITEM	PART NO.	DESCRIPTION	65/68	77H	77D
1.	01000	RETAINING RING, INT. 5000-315	4	4	4
2.	01072	FILTER, FELT	1	1	1
3.	01191	RETAINING RING, INTERNAL	1	1	1
4.	06335	KEY, 1/4 SQ X 1 RD ENDS	2	1	1
5.	07203	PIN,DOWEL 1/4 X 1/2	2	2	2
6.	07456	BEARING, ROLLER 80 X 40	2	2	2
7.	07457	SEAL, OIL	1	1	1
8.	07458	BEARING, SPHERICAL ROLLER	2	2	2
9.	07469	RETAINING RING, EXT. 5108-156	4	4	4
10.	08799	FERRY CAP SCREW , 1/2-13 X 1-3/4	4	4	4
11.	14067	HOUSING, EXCITER GPR MACH'D	1	1	1
12.	14068	COVER, EXCITER HSN'G MACH	1	1	1
13.	14395	GASKET, GPR HOUS'G COVER	1	1	1
14.	14399	WEIGHT, DRIVING EXCITER	2		
15.	19114	WEIGHT, DRIVING EXCITER		2	2
	14403	GEAR, DRIVE EXCITER	1	1	1
16.	14404	GEAR, DRIVEN EXCITER	1	1	1
17.	14405	SHAFT, DRIVEN EXCITER	1	1	1
18.	14411	BUSHING, SLIDE,(SERIAL NO. 6500170, 6800300 & 7700100 & LOWER)	1	1	1
19.	14416	WEIGHT, RHT EXCITER DRIVEN	1		
20.	19110	WEIGHT, RHT EXCITER DRIVEN		1	1
	14417	WEIGHT, LFT EXCITER DRIVEN	1		
21.	19112	WEIGHT, LFT EXCITER DRIVEN		1	1
	14424	MOUNT, SHIFT CABLE	1	1	1
22.	14430	ASSEMBLY, ACTUATOR	1	1	1
23.	14993	WASHER, COUNTERSUNK	1	1	1
24.	15060	ASSEMBLY, SHIFTER	1	1	1
25.	17024	SHAFT, EXCITER	1		
26.	19109	SHAFT, EXCITER		1	1
	17025	PULLEY	1		
	19118	PULLEY, 3.4 OVER A-BELT		1	
	19132	PULLEY, 4.0 OVER A-BELT			1
27.	17083	GUARD, STONE	1		
	19115	GUARD, STONE		1	1
28.	19135	KEY, 1/4 SQ X 3/4 LG.			1
29.	F0205SP	PIN, SPIROL 1/8 X 5/8 RD	1	1	1
30.	F051804HCS	HHCS, 5/16-18 X 1/2 GR5 ZP	6	6	6
31.	F051806FWS	FWLS, 5/16-18 X 3/4 ZP	8	8	8
32.	F051808FSS	FHSS, 5/16-18 X 1 ZP	1	1	1
33.	F051808FWS	FWLS, 5/16-18 X 1 ZP	1	1	1
34.	F051810FWS	FWLS, 5/16-18 X 1-1/4 ZP	10	10	10
35.	F05BFW	WASHER, 21/64 X 3/4 X .064 BRASS	6	6	6
36.	F0618SPP	PLUG, PIPE 3/8-18 NPT	1	1	1



Honda Main Assembly

ITEM	PART NO.	DESCRIPTION	GPR65	GPR68	GPR68R	GPR77
1.	00032 00808	KEY, 3/16" SQUARE x 1-5/8" LONG KEY, 1/4" SQUARE x 1-3/4" LONG	1	1	1	1
2.	01185 05831	V-BELT, (A-33) V-BELT, (A-35)	1	1	1	1
3.	01444 15674	ENGINE, HONDA, GX160 ENGINE, HONDA, GX270	1	1		1
4.	17370 07636	ENGINE, ROBIN, EX17 EXHAUST DEFLECTOR	1	1	1	
5.	14429	ROD END, 1/4-28	1	1	1	1
6.	18110	SHIFTER & CABLE ASSEMBLY (Order 18109 for sleeve only)	1	1	1	1
7.	14477 14993	SHIFTER, NO CABLE WASHER, COUNTERSUNK	1	1	1	
8.	14992 16105	37. CLUTCH, CENTRIFUGAL	1	1	1	1
9.	19127 16849	CLUTCH, CENTRIFUGAL BASEPLATE (GPR65)	1			1
	16992 19101	BASEPLATE (GPR68) BASEPLATE (GPR77)		1	1	1
10.	16852 19105	ENGINE DECK ENGINE DECK	1	1	1	1
11.	16861 16862	BELTGUARD BELTGUARD	1	1	1	1
12.	16975 16974	OIL DRAIN LINE, HONDA 5.5hp OIL DRAIN LINE, HONDA 8hp	1	1		1
13.	18767 16986	OIL DRAIN LINE ROLLCAGE	1	1	1	
14.	19119 17006	ROLLCAGE EXCITER ASSEMBLY, CAST IRON	1	1	1	1
15.	19108 17117	EXCITER ASSEMBLY GPR77 SHOCKMOUNT, 2.95" OD x 2.17" LONG	4	4	4	4
16.	19124	EXTENSION, BELT GUARD				1
17.	19136	SPACER, CLUTCH, 1-3/8 OD x 5/8 LG				1
18.	F0203HTB	TAPPING BOLT, #8 x 3/8"	2	2		
19.	F042006FWS	FLANGE LOCKING SCREW, 1/4-20 x 3/4"	4	4	4	4
20.	F042006HCS	HEX HEAD CAP SCREW, 1/4-20 x 3/4"	1	1	1	1
21.	F0420HN	HEX NUT, 1/4-20	1	1	1	1
22.	F0428HN	HEX NUT, 1/4-28	1	1	1	1
23.	F051812HCS	HEX HEAD CAP SCREW, 5/16-18 X 1-1/2"	4	4	4	
24.	F051814HCS F052408FSS	HEX HEAD CAP SCREW, 5/16-18 X 1-3/4" FLAT HEAD SOCKET SCREW, 5/16-24 X 1"	1	1	1	4
25.	F072008FSS F052406HCS	FLAT HEAD SOCKET SCREW, 7/16-20 X 1" HEX HEAD CAP SCREW, 5/16-24 X 3/4"				1 4
26.	F05LW	LOCK WASHER, 5/16"	4	4	4	8
27.	F05SW	WASHER, 5/16"	8	8	8	8
28.	F061608FWS	FLANGE LOCKING BOLT, 3/8-16 x 1"	4	4	4	4
29.	F0616FN	FLANGE LOCKNUT, 3/8-16	4	4	4	4
30.	F071420FSS	FLAT HEAD SOCKET SCREW, 7/16-14 x 2-1/2"	6	6	6	6
31.	F0714HN	HEX NUT, 7/16-14	6	6	6	6
32.	F07LW	LOCK WASHER, 7/16"	6	6	6	6
33.	F081307HCS	HEX HEAD CAP SCREW, 1/2-13 x 7/8"	4	4	4	4
34.	F0813ELN	ELASTIC LOCKNUT, 1/2-13	4	4	4	4
35.	F08LW	LOCK WASHER, 1/2"	4	4	4	4
36.	F08SW	WASHER, 1/2"	8	8	8	8
		SERVICE PARTS				
	19511	SHIFT HANDLE LEVER ONLY				
	20414	KIT, SHIFT CABLE				

ITEM	PART NO.	DESCRIPTION	GPR65	GPR68	GPR77
1.	00808	KEY, 1/4" SQUARE x 1-3/4" LG.			1
2.	01182	V-BELT, (A-34)	1	1	
3.	05831 06747	V-BELT, (A-35) SCS, M8 X 25MM	1	1	1
4.	F072010FSS 14429	FSS, 7/16-20 X 1-1/4 ROD END, 1/4-28 RH	1	1	1
5.	16523	FITTING, PLUG, HYDRAULIC	1	1	1
6.	16544	WASHER, COUNTERSUNK			1
7.	16578	FITTING, ADAPTOR, HYDRAULIC	1	1	1
8.	16852	ENGINE DECK	1	1	
9.	19105 16859	ENGINE DECK ROLLCAGE, COATED	1	1	1
10.	19119 16862	ROLLCAGE, COATED BELTGAURD	1	1	1
11.	16849 16992	BASEPLATE, GPR 65 BASEPLATE, GPR 68	1	1	
12.	19101 17006	BASEPLATE, GPR 77 EXCITER, CAST IRON	1	1	1
13.	19108 17064	EXCITER, CAST IRON HATZ, DIESEL	1	1	1
14.	19129 17065	HATZ, DIESEL, 1" STRAIGHT SHAFT CLUTCH, TAPER SHAFT	1	1	1
15.	19127 17117	CLUTCH, STRAIGHT SHAFT SHOCKMOUNT, 2.95 OD X 2.17 LONG	4	4	4
16.	18087	HOSE, 1/2 X 8.75	1	1	1
17.	18094	PLATE, GAURD, ENGINE, 1B20	1	1	
18.	19124 18110	EXTENSION, BELT GAURD SHIFTER CABLE ASM AND SLEEVE (Order 18109 for sleeve only)	1	1	1
19.	14477 19136	SHIFTER, NO CABLE SPACER, CLUTCH, 1-3/8 OD x 5/8 LG.			1
20.	F042006FWS	FWLS, 1/4-20 X 3/4 ZP	4	4	4
21.	F042006HCS	HHCS, 1/4-20 X 3/4 GR5 ZP	1	1	1
22.	F0420HN	NUT, HEX 1/4-20 ZP	1	1	1
23.	F0428HN	NUT, HEX 1/4-28 ZP	1	1	1
24.	F051808HCS	HHCS, 5/16-18 X 1 GR5 ZP	4	4	4
25.	F05LW	LOCKWASHER, 5/16 ZP	4	4	4
26.	F05SW	WASHER, 5/16 X 3/4 X 15ga ZP	4	4	4
27.	F061608FWS	FWLS, 3/8-16 X 1	4	4	4
28.	F0616FN	FLANGE WHIZ-LOCK NUT, 3/8-16	4	4	
29.	F06LW	LOCKWASHER, 3/8 ZP	1	1	
30.	F06SW	WASHER, 25/64 X 1 X 1/8 ZP	1	1	
31.	F071420FSS	FSS, 7/16-14 X 2-1/2"	6	6	
32.	F0714HN	NUT, HEX 7/16-14 ZP	6	6	
33.	F07LW	LOCKWASHER, 7/16 ZP	6	6	
34.	F081307HCS	HHCS, 1/2-13 X 7/8 GR5 ZP	4	4	
35.	F0813HN	NUT, HEX, 1/2-13, ZP	4	4	4
36.	F08LW	LOCKWASHER, 1/2 ZP	4	4	8
37.	F08SW	WASHER, 9/16 X 1-3/8 X 12ga ZP	4	4	4
38.	M10C016FWS M08C016FWS	FWS, M10 X 16 FWS, M8 X 16	2	2	4
	19511	SHIFT HANDLE LEVER ONLY			
	20414 H50426000	KIT, SHIFT CABLE AIR FILTER HATZ DIESEL 1B20 & 1B30 (NOT SHOWN)			
	01635210	FUEL FILTER HATZ DIESEL (NOT SHOWN)			



Handle Assembly

