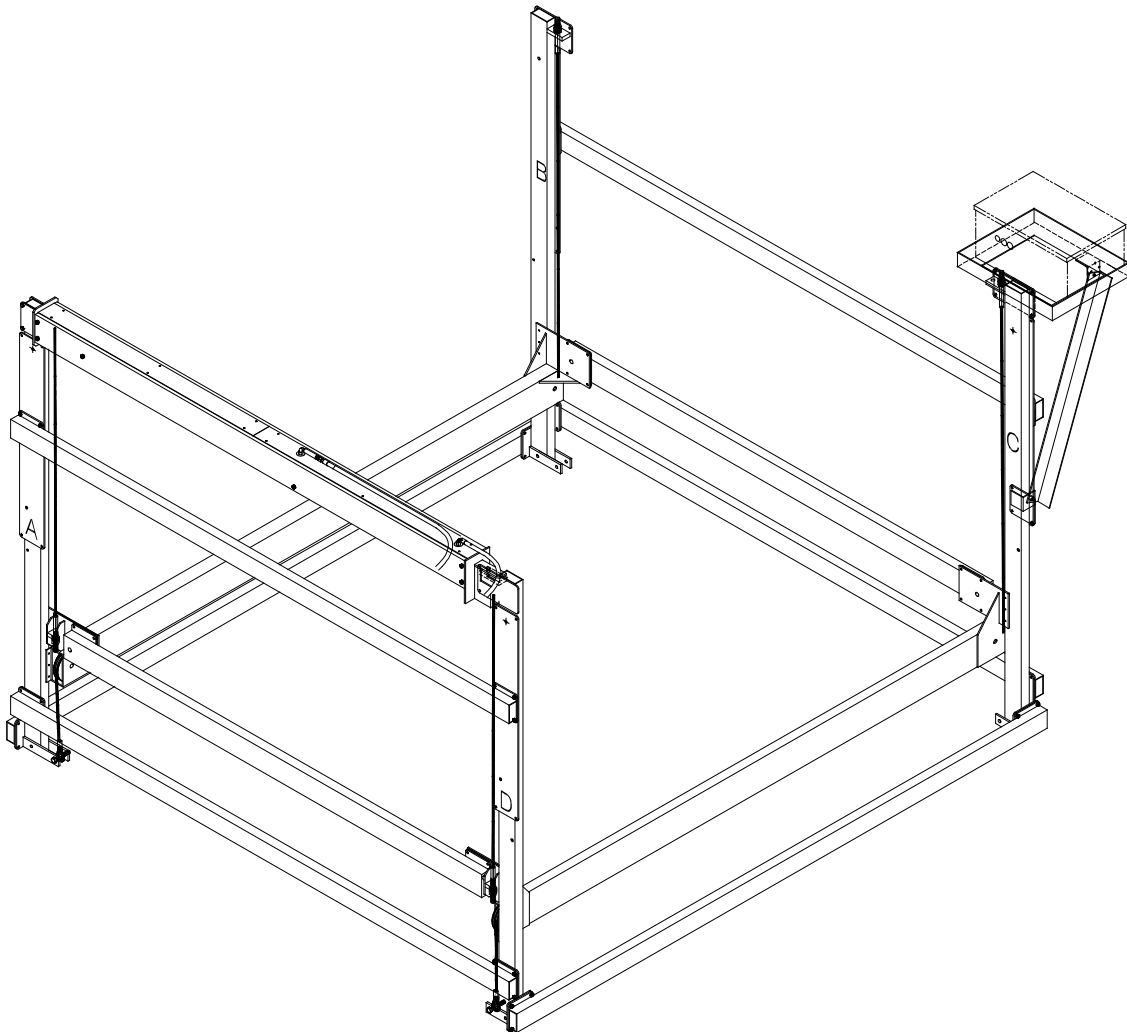




HVL7K HYDRAULIC VERTICAL LIFT INSTRUCTIONS



REIMANN & GEORGER CORPORATION
MARINE PRODUCTS
P/N 6112244

BUFFALO, NY
03/10/14

7 PARTS LISTS

Each reference number or letter in the following parts lists can be matched with the reference number or letter referred to in both the text and illustrations of Chapter 3, Installation and Setup.

7.1 #3641050 HVL 70124T 2013 BOAL LIFT BUNDLES

7.1.1 #3641124 HVL 70124T '13 Bundle 1 of 3

REF #	PART #	QTY	DESCRIPTION
1	3607996	4	VL FOOT PLATE ASSY
2	3689705	4	VL LWR DIAG BRACE 43" FORMED '13
3	3606721	1	VL VERTICAL LEG (A) ASSY 7K
4	3641327	1	HVL VERTICAL LEG (B) ASSY 7K
5	3606723	1	VL VERTICAL LEG (C) ASSY 7K
6	3606724	1	VL VERTICAL LEG (D) ASSY 7K

7.1.2 #3641127 HVL 70124T '13 COM Bundle 2 of 3

REF #	PART #	QTY	DESCRIPTION
7	3603883	4	VL HORIZONTAL TUBE 124" 4-7K
8	3689714	2	VL HORIZ WLDMT 132" (6X10.5") (1/8")
9	3641328	1	HVL SPREADER TUBE ASSY (BC) 7K
10	3607986	1	VL SPREADER TUBE ASSY (AD) 7K

7.1.3 #3641175 HVL 70124T Bundle 3 of 3

REF #	PART #	QTY	DESCRIPTION
11	3641362	1	HVL LOAD TUBE ASSY A-B 70124T
12	3641364	1	HVL LOAD TUBE ASSY C-D 70124T
15	3641347	1	HVL7K CYLINDER /HOSE ASSEMBLY see section 7.6

7.1.4

REF #	PART #	QTY	DESCRIPTION
	3603776	1	VL BUNK BUNDLE 7K See Section 7.4
	3641260	1	HVL / HARDWARE CARTON 7K See Section 7.5
	3641340	1	HVL POWER UNIT-STANARD, See Section 7.6

7.3 VL EXTENSION LEGS

REF #	PART #	QTY	DESCRIPTION
13	as ordered	4	VL EXTENSION LEGS 29-1/2"-10'

7.4 3603776 VL BUNK BUNDLE 7K (refer to separate Instruction Manual)

REF #	PART #	QTY	DESCRIPTION
	3605921	4	VL BUNK ASSY 7K
		1	VL BUNK (TALL) SS CARTON 6-7K consists of following:
	3603935	4	BUNK CRADLE BRACKET 3"
	3603936	4	BUNK CRADLE BRACKET 2"
	3603938	8	CRADLE BRACKET ANGLE 15-7/8"
	3605978	1	BUNK HARDWARE
	3693801	8	CRADLE BRACKET ANGLE 22-3/8"

7.5 #3641217 HVL / HARDWARE 7K '13 CARTON OF PARTS

REF #	PART #	QTY	DESCRIPTION
	3641270	1	HVL MOUNTING S.S. BAG OF BOLTS consisting of:
A	5896257	2	3/8-16 X 3-1/2 HHCS
B	5896406	2	3/8 WASHER SAE
C	5806243	2	3/8 WASHER SPLIT LOCK
D	5896377	2	3/8-16 NUT HEX
AA	5896309	2	5/8-11 X 2" HHCS
AB	5896414	2	5/8 WASHER SAE
AC	5806246	2	5/8 WASHER SPLIT LOCK
AD	5896380	2	5/8-11 NUT HEX
AH	5800867	8	HOSE CLAMP
17	3641412	1	HVL7K ANCHOR WELDMENT LH
18	3641414	1	HVL7K ANCHOR WELDMENT RH
16	9703593	4	VL THREE HOLE PLATE
I	3629961	1	VL HITCH PIN SET (4 PINS)
	3641275	1	HVL CAP BAG: includes the following
S	6403794	6	CAP PLASTIC—2 X 4 X 1/8W
R	3641620	2	HVL CAP PLASTIC 2 X 4 X 1/8W -HOLE
	3689831	4 Pkgs.	VL CORNER HARDWARE 7K
J	5896247	13	3/8-16 X 1" HHCS
	5896248	5	3/8-16 X 1-1/4 HHCS
K	5897017	1	3/8-16 X 3-1/4" HHCS
L	5896288	1	1/2-13 X 3" HHCS
M	5840103	20	3/8-16 LOCKNUT NYLOCK ALUM
N	5836107	1	1/2-13 LOCKNUT NYLOCK ALUM
	3641265	1 Pkg.	HVL CABLE HARDWARE 7K consisting of:
P	5896249	12	3/8-16 X 1-1/2" HHCS
T	5896306	2	5/8-11 X 3-1/2" HHCS
U	5896414	2	5/8 WASHER SAE
V	5806246	2	5/8 WASHER SPLIT LOCK
W	5896380	2	5/8-11 NUT HEX
O	5896397	4	9/16-12 NUT HEX

7.6 HVL POWER UNIT

REF #	PART #	QTY	DESCRIPTION
19	3641340	1	HVL CONTROL BOX 12V (STANDARD)
	4110020	1	HL SOLAR PANEL KIT (OPTIONAL)
	4105785	1	HL AC CHARGER (OPTIONAL)
	4107431	1	HL LIGHTING PACKAGE (OPTIONAL)

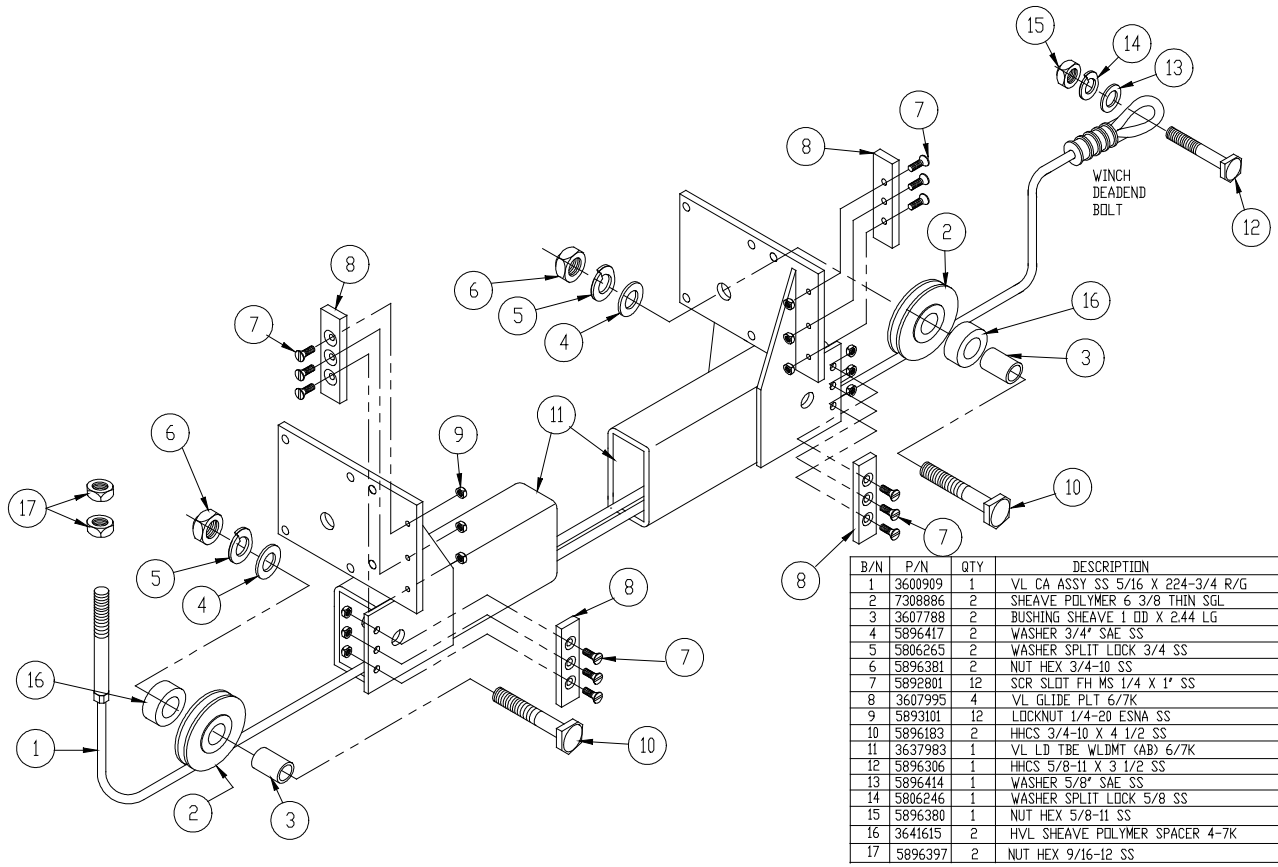
7.7 3641280-HVL7K POWER UNIT SHELF & HARDWARE (OPTIONAL)

REF #	PART #	QTY	DESCRIPTION
20	3641415	1	HVL SHELF FRAME
21	3641532	1	HVL SHELF DIAG. BRACE 7K TALL
22	4100583	1	HVL SHELF BRACKET
	3641225	1	HVL SHELF BAG OF BOLTS consists of following:
AE	5896248	4	3/8-16 X 1-1/4" HHCS
AF	5897016	8	3/8-16 LOCKNUT NYLOCK
AG	5896247	4	3/8-16 x 1" HHCS

7.8 #3641347 HVL 7KT HYDRAULIC CYLINDER ASSEMBLY – See Figure 7.1

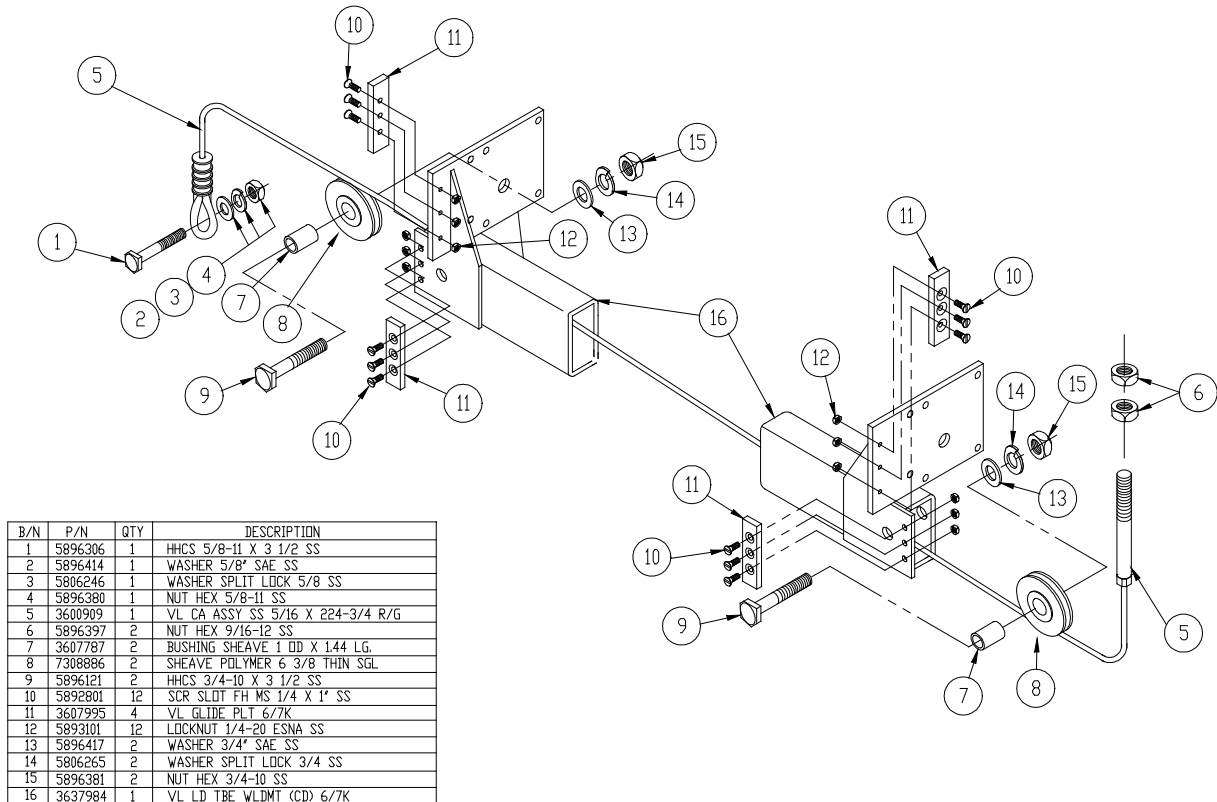
REF #	PART #	QTY	DESCRIPTION
1	6036416	1	Hydraulic Cylinder 3-1/2" bore x 36" stroke
2	3641970	1	Cylinder Stop Tube
3	3607787	1	Bushing Sleeve 1" OD x 1.47" lg
4	3709050	1	CW R18 Spacer
5	6041010	1	Flow Regulator
6	5896417	1	3/4" SAE Washer
7	5806265	1	3/4" Lockwasher
8	5896381	1	3/4-10 Hex Nut
9	5896267	6	3/8-16 x 6" lg HHCS
10	6236412	1	Decal "CAUTION NOT A STEP"
11	3641767	1	Cylinder Clevis pin 1" DIA x 4-1/8" lg
12	5897016	6	3/8-16 Hex Locknut
13	7336830	1	Sheave 3-3/8 Sgl
14	3641354	1	Mounting Bracket (D) powder coat
15	5636414	1	3/8" tube 37-degree to SAE -12 straight fitting
16	3641777	1	Cylinder Rod Clevis
17	3641772	2	Cylinder Clevis Pin 1-1/2" DIA x 5" lg
18	5893645	8	1/8" x 2" Cotter Pin
19	7341950	2	Sheave 4-3/4 Sgl 1-1/2" bore
20	3641560	2	Cover Channel 107-1/8"
21	3641352	1	Mounting bracket (A) powder coat
22	3641575	2	HVL7K cover plate- common
23	3641565	1	HVL7K cover plate- cylinder end
24	3641570	1	HVL7K cover plate- cable end
25	3641762	1	HL Clevis Pin 7/8" DIA X 4-3/8"
26	5896121	1	3/4-10 x 3-1/2" lg HHCS
27	7341955	2	Sheave 5-1/4 Sgl- 1-1/2" bore
28	3641932	1	HVL Cable assembly SS 3/8" X 231
29	3641927	1	HVL Cable assembly SS 3/8" X 125
30	3641955	1	Hydraulic Hose Assy 31' x 1/4" (straight)
31	3641960	1	Hydraulic Hose Assy 29' x 1/4" (90-degree)
32	5806348	2	5/16-18 x 5/16 lg set screw
33	3641925	1	HVL7K Cylinder guide plate
34	5892801	4	1/4-20 x 1" Phillip Flat Head Screw
35	5636412	1	3/8 tube 37-degree to 1/4 pipe 90-degree fitting
36	5636411	1	1/4 pipe to 1/4 tube 37-degree straight fitting
37	5636413	1	1/4 tube 37-degree to SAE-12 straight fitting
38	6041364	1	Coupling 1/4 NPT female (screw to connect)
39	6041365	1	Coupling 1/4 NPT male (screw to connect)
40	5893641	24	10-24 X 3/8 Phil Pan Head- Self Thread
41	3641732	1	HVL Support Tube Spacer
Q	5893642	4	3/4-16 NUT HEX

P/N 3641362 - HVL 70124T (AB) LOAD TUBE PARTS LIST

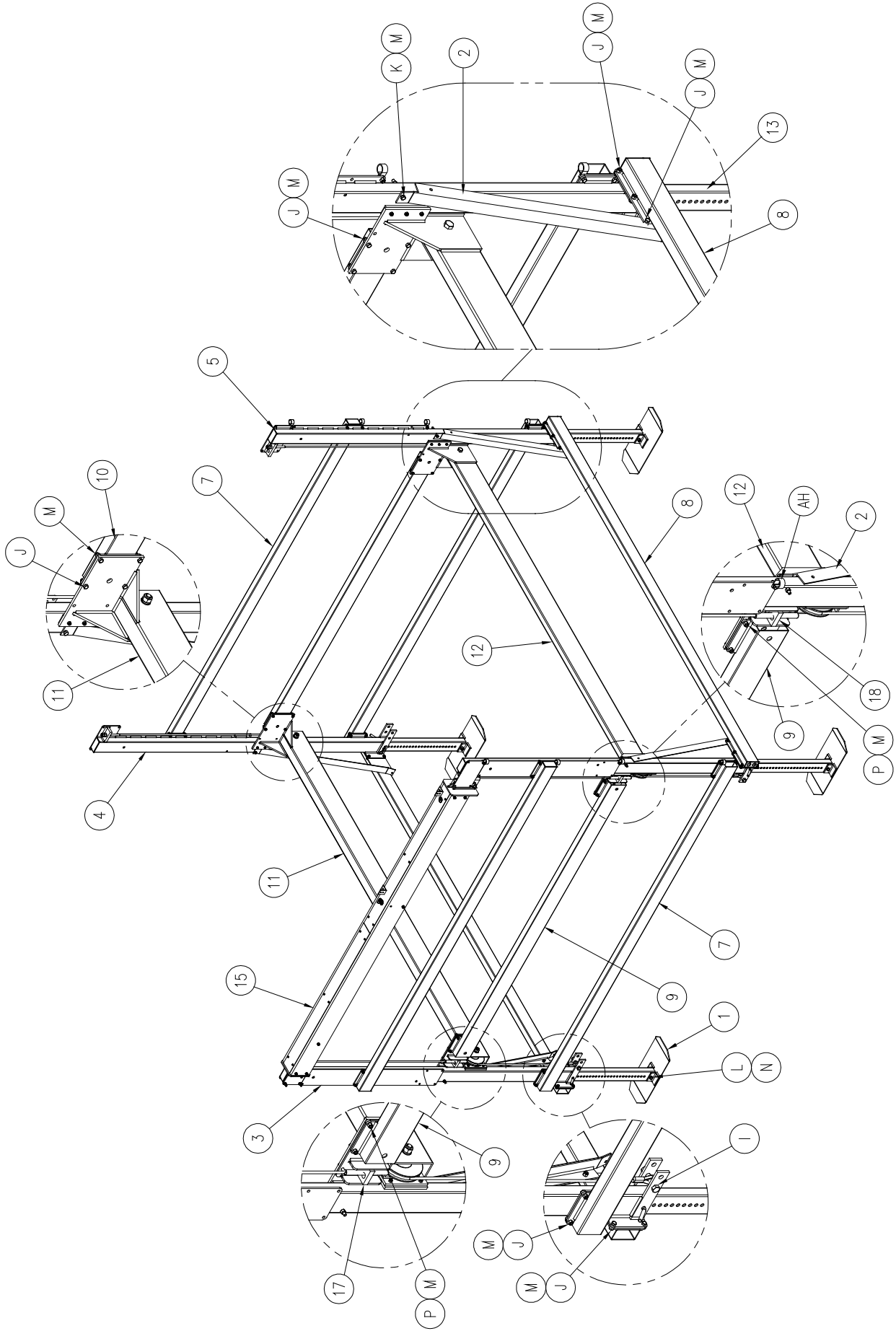


B/N	P/N	QTY	DESCRIPTION
1	3600909	1	VL CA ASSY SS 5/16 X 224-3/4 R/G
2	7308886	2	SHEAVE POLYMER 6 3/8 THIN SGL
3	3607788	2	BUSHING SHEAVE 1 OD X 2.44 LG
4	5896417	2	WASHER 3/4" SAE SS
5	5806265	2	WASHER SPLIT LOCK 3/4 SS
6	5896381	2	NUT HEX 3/4-10 SS
7	5892801	12	SCR SLOT FH MS 1/4 X 1" SS
8	3607995	4	VL GLIDE PLT 6/7K
9	5893101	12	LOCKNUT 1/4-20 ESNA SS
10	5896183	2	HHCS 3/4-10 X 4 1/2 SS
11	3637983	1	VL LD TBE WLDMT (AB) 6/7K
12	5896306	1	HHCS 5/8-11 X 3 1/2 SS
13	5896414	1	WASHER 5/8" SAE SS
14	5806246	1	WASHER SPLIT LOCK 5/8 SS
15	5896380	1	NUT HEX 5/8-11 SS
16	3641615	2	HVL SHEAVE POLYMER SPACER 4-7K
17	5896397	2	NUT HEX 9/16-12 SS

P/N 3641364 - HVL 70124T (CD) LOAD TUBE PARTS LIST



B/N	P/N	QTY	DESCRIPTION
1	5896306	1	HHCS 5/8-11 X 3 1/2 SS
2	5896414	1	WASHER 5/8" SAE SS
3	5806246	1	WASHER SPLIT LOCK 5/8 SS
4	5896380	1	NUT HEX 5/8-11 SS
5	3600909	1	VL CA ASSY SS 5/16 X 224-3/4 R/G
6	5896397	2	NUT HEX 9/16-12 SS
7	3607787	2	BUSHING SHEAVE 1 OD X 1.44 LG.
8	7308886	2	SHEAVE POLYMER 6 3/8 THIN SGL
9	5896121	2	HHCS 3/4-10 X 3 1/2 SS
10	5892801	12	SCR SLOT FH MS 1/4 X 1" SS
11	3607995	4	VL GLIDE PLT 6/7K
12	5893101	12	LOCKNUT 1/4-20 ESNA SS
13	5896417	2	WASHER 3/4" SAE SS
14	5806265	2	WASHER SPLIT LOCK 3/4 SS
15	5896381	2	NUT HEX 3/4-10 SS
16	3637984	1	VL LD TBE WLDMT (CD) 6/7K



HVL7K Complete Assembly