

REVISED STARTING
SERIAL # 120110074

PARTS LIST MANUAL

MODEL CPM8



GASOLINE MODEL

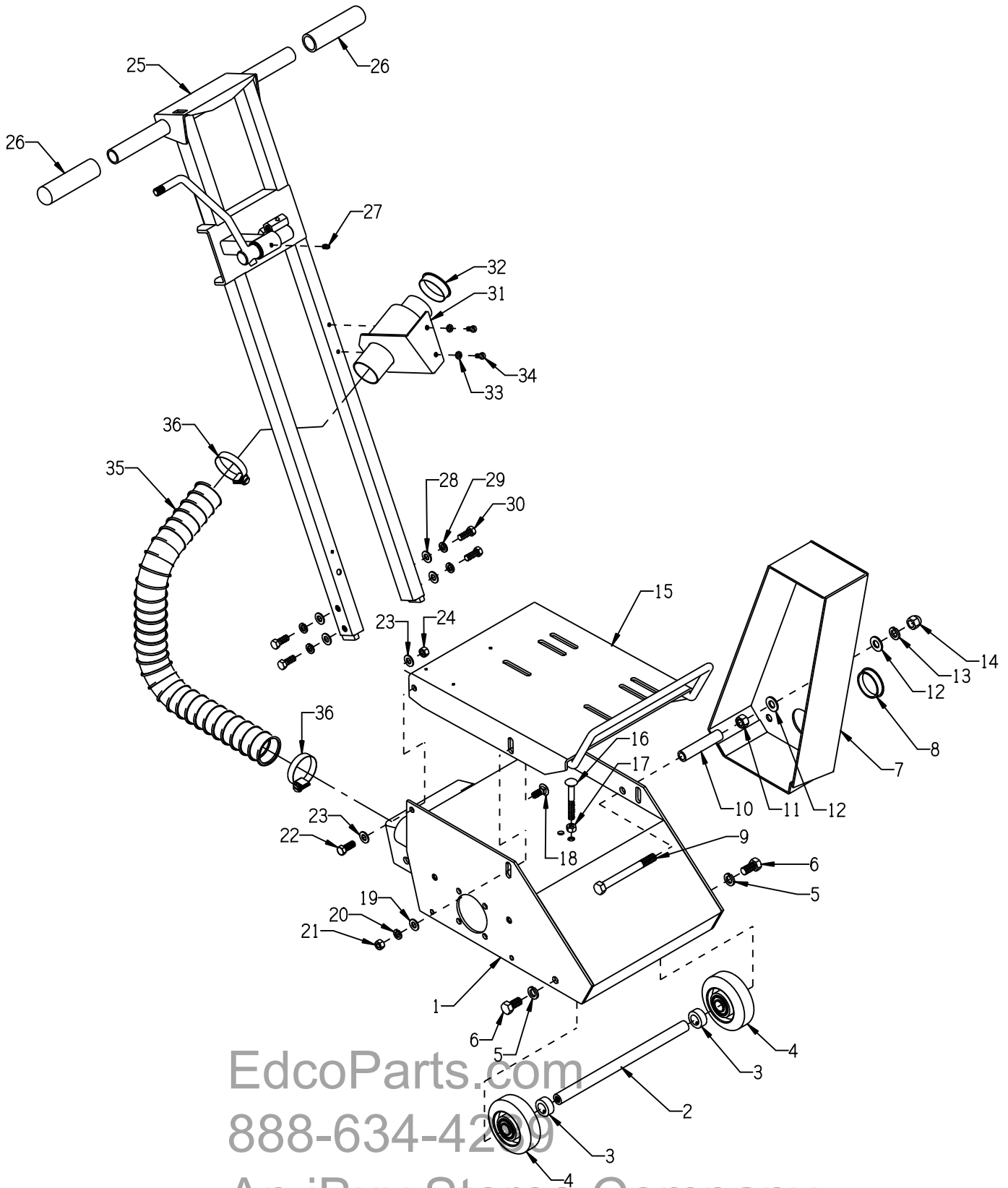


ELECTRIC MODEL

8" WALK BEHIND SCARIFIERS

SKU #	MODEL #	POWER OPTION
79300	CPM8-9H	HONDA GASOLINE ENGINE MODEL GX270
79500	CPM8-5B/230/1	BALDOR ELECTRIC MOTOR 5HP 60Hz 1PH 230V
79400-230	CPM8-5B/230/3	BALDOR ELECTRIC MOTOR 5HP 60Hz 3PH 230V
79400-460	CPM8-5B/460/3	BALDOR ELECTRIC MOTOR 5HP 60Hz 3PH 460V
79400-50/220	CPM8-5B/50/220/3	BALDOR ELECTRIC MOTOR 5HP 50Hz 3PH 220V
79400-50/380	CPM8-5B/50/380/3	BALDOR ELECTRIC MOTOR 5HP 50Hz 3PH 380V
79400-50/440	CPM8-5B/50/440/3	BALDOR ELECTRIC MOTOR 5HP 50Hz 3PH 440V

ILLUSTRATION 1 : MAIN GROUPING

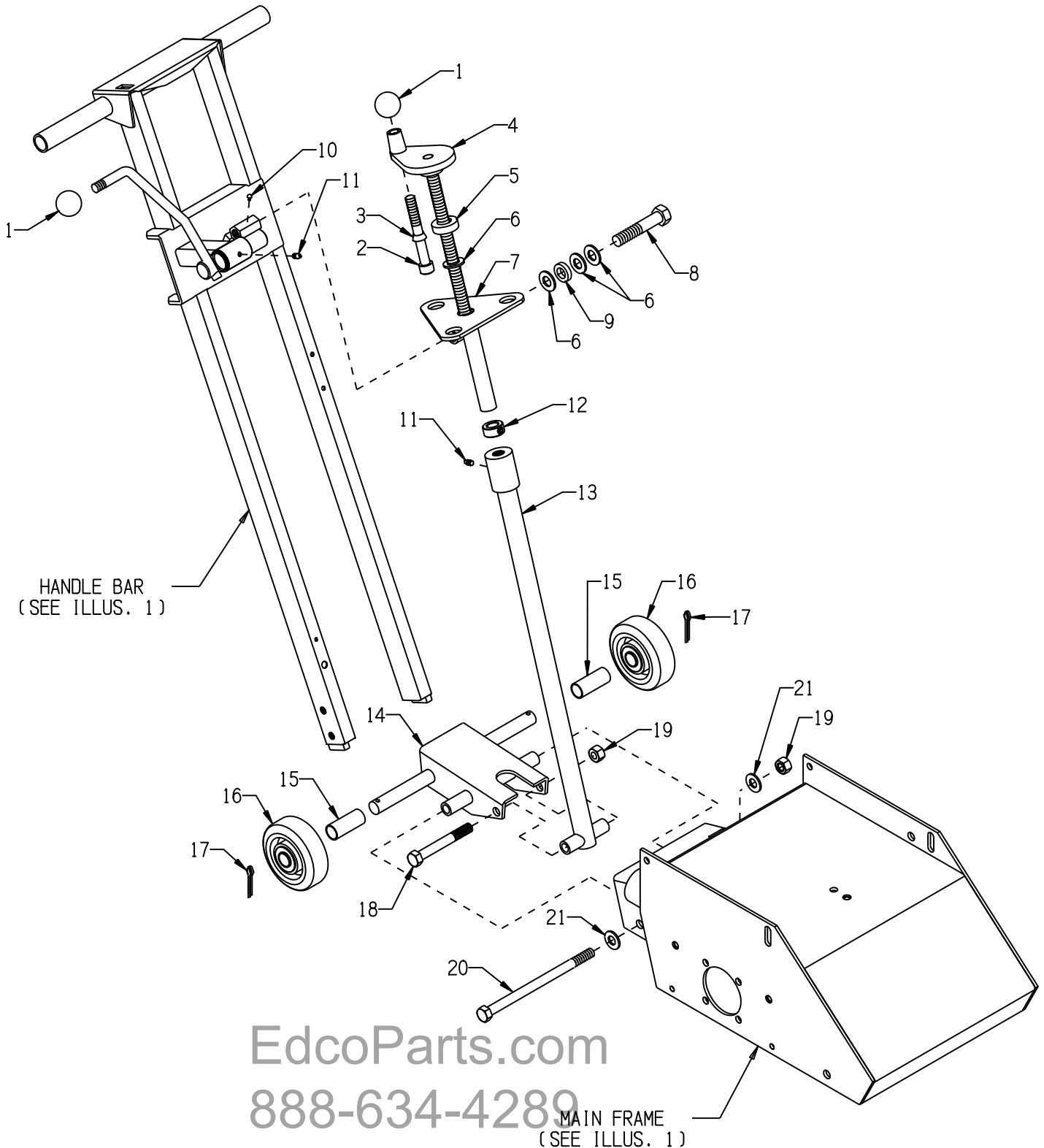


PARTS LISTING - ILLUSTRATION 1: MAIN GROUPING			
ITEM #	PART #	DESCRIPTION	QTY.
1	65001	MAIN FRAME, CPM-8	1
2	65014	AXLE SHAFT 3/4"DIA. X 12-7/32"L	1
3	10428	COLLAR, LOCKING 3/4"ID	2
4	52001	WHEEL 4 X 1-1/2 X 3/4"BRG.	2
5	10045	WASHER, LOCK 1/2 ZINC	2
6	10304	SCREW, CAP 1/2-20 X 1	2
7	65003	COVER, BELT, CPM-8	1
8	65022	PLUG, HOLE 2"	1
9	65125	SCREW, CAP 1/2-13 X 5-1/4	2
10	65016	SPACER TUBE 1/2"ID X 3-9/16"L,CPM-8	2
11	10417	NUT, HEX 1/2-13 ZINC	2
12	10312	WASHER, FLAT 1/2 SAE ZINC	4
13	10045	WASHER, LOCK 1/2 ZINC	2
14	10865	NUT, ACORN 1/2-13	2
15	65002	MOUNT, ENGINE/MOTOR, CPM-8	1
16	10909	BOLT, CARRIAGE 3/8-16 X 3 FULL THD.	1
17	10404	NUT, HEX 3/8-16 ZINC	1
18	10802	BOLT, CARRIAGE 3/8-16 X 1 FULL THD.	2
19	10025	WASHER, FLAT 3/8 SAE ZINC	2
20	10811	WASHER, LOCK 3/8 ZINC	2
21	10404	NUT, HEX 3/8-16 ZINC	2
22	10021	SCREW, CAP 3/8-24 X 1	2
23	10025	WASHER, FLAT 3/8 SAE ZINC	4
24	10004	NUT, HEX LOCK 3/8-24 ZINC	2
25	65009	HANDLE BAR, CPM-8	1
26	10608	GRIP, HAND .937 X 4.5 BLK VYNAFOAM	2
27	10808	FITTING, GREASE 1/4-28 STRAIGHT (SEE ILLUS. 2)	1
28	10025	WASHER, FLAT 3/8 SAE ZINC	4
29	10811	WASHER, LOCK 3/8 ZINC	4
30	10055	SCREW, CAP 3/8-16 X 1	4
31	86347	BRACKET, MULTI-VAC PORT 2-3"	1
32	65021	CAP/PLUG 2" RED PLASTIC, FLANGED	1
33	10038	WASHER, LOCK 1/4 ZINC	2
34	10846	SCREW, CAP STSHW 1/4-20 X 1/2	2
35	65098	HOSE, FLEX 2"ID X 22"L	1
36	10766	CLAMP, HOSE, SAE #32, ADJ. TO 2-1/2	2

EdcoParts.com
888-634-4289

An iBuy Stores Company

ILLUSTRATION 2: REAR FORK & CONTROL LINKAGE GROUPING



EdcoParts.com

888-634-4289

MAIN FRAME
(SEE ILLUS. 1)

An iBuy Stores Company

PARTS LISTING - ILLUSTRATION 2: REAR FORK & CONTROL LINKAGE GROUPING			
ITEM #	PART #	DESCRIPTION	QTY.
1	14023	KNOB, BALL 1-3/8 W/ 1/2-13THD, BLK.	2
2	10411	SCREW, SKT. HD. CAP 1/2-13 X 4 ZINC	1
3	50550	SLEEVE, BRASS 1/2" TAPERED	1
4	65019	HANDWHEEL, SMALL W/ 5/8-8 X 13"ROD	1
5	85005	BEARING, THRUST BALL 5/8	1
6	10073	WASHER, FLAT 5/8 SAE ZINC	4
7	65007	LINKAGE SUPPORT, UPPER	1
8	10359	SCREW, CAP 5/8-11 X 3-1/4	1
9	79035	BUSHING, RUBBER 1-1/16 X 5/8 X 1/4	1
10	10127	SCREW, DRIVE 1/8 X 1/4"L	1
11	10808	FITTING, GREASE 1/4-28 STRAIGHT	2
12	10096	COLLAR, LOCKING 5/8"ID	1
13	65006	LINKAGE, LOWER, CPM-8	1
14	65004	FORK, CPM-8	1
15	65005	SPACER, REAR WHEEL, 2-1/8"	2
16	52001	WHEEL 4 X 1-1/2 X 3/4"BRG. ALUM/RUB	2
17	10306	PIN, COTTER 3/16 X 1-1/2	2
18	81001	SCREW, CAP 1/2-13 X 4	1
19	10407	NUT, HEX LOCK 1/2-13 ZINC	2
20	65015	SCREW, CAP 1/2-13 X 8 ZINC	1
21	10312	WASHER, FLAT 1/2 SAE ZINC	2

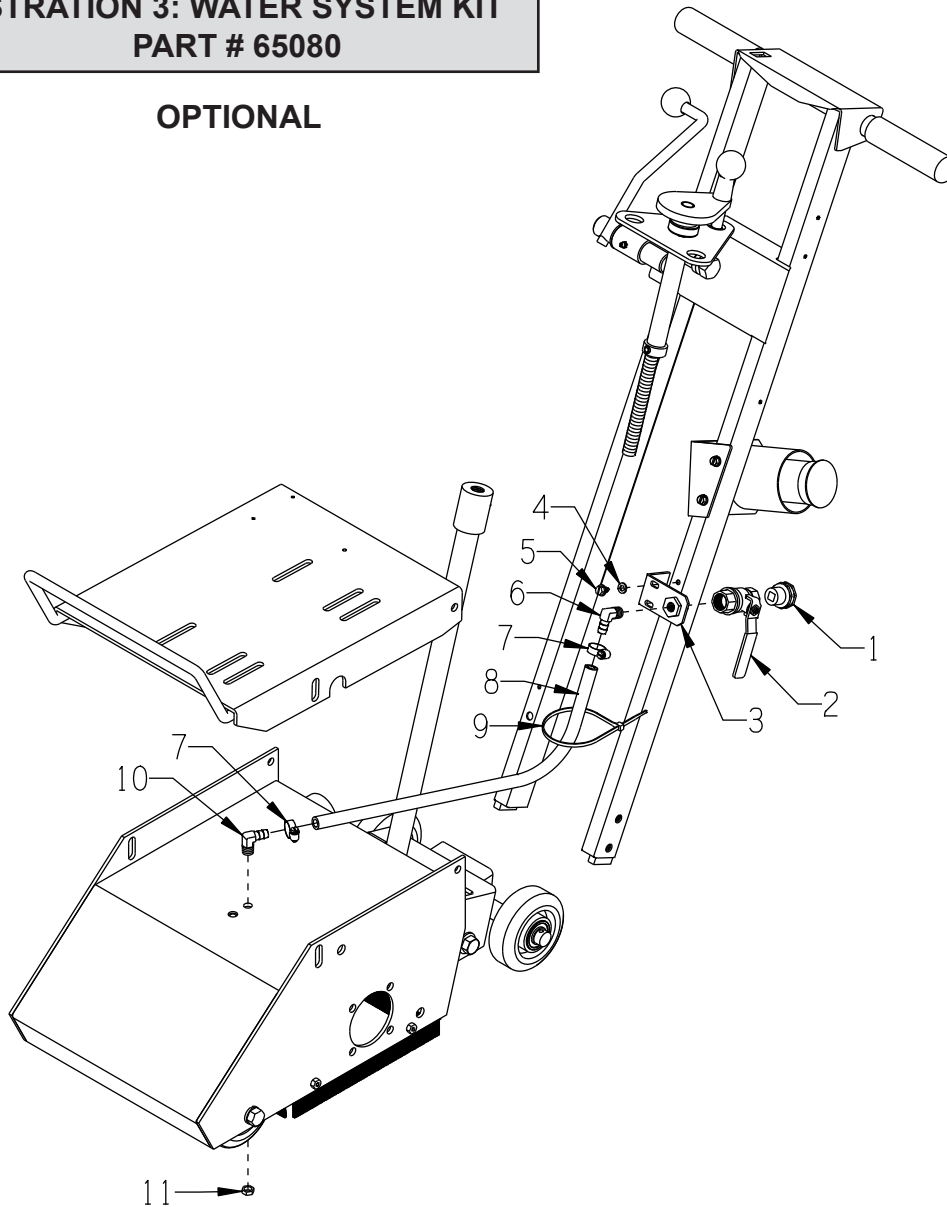
EdcoParts.com

888-634-4289

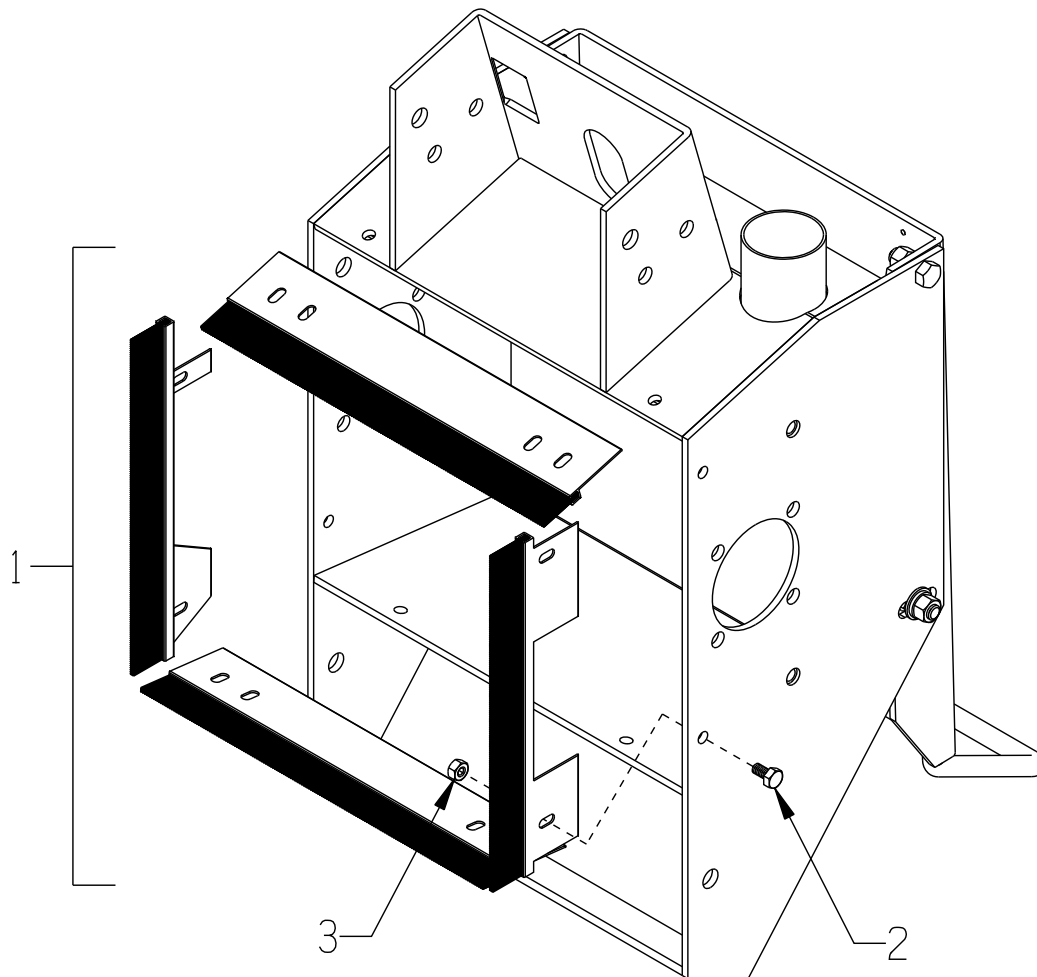
An iBuy Stores Company

**ILLUSTRATION 3: WATER SYSTEM KIT
PART # 65080**

OPTIONAL



ITEM #	PART #	DESCRIPTION	QTY.
1	80021	CONN., SWIVEL FEM. 3/4HOSE X 1/2MPT	1
2	10711	VALVE, BALL 1/2 FPT	1
3	56022	BRACKET, WATER VALVE	1
4	10038	WASHER, LOCK 1/4 ZINC	2
5	10846	SCREW, CAP STSHW 1/4-20 X 1/2	2
6	10799	BARB ELBOW 90, 3/8HOSE X 1/4MPT (BRASS)	1
7	50069	CLAMP, HOSE, SAE #6, ADJ. TO 13/16	2
8	65081	HOSE, WATER 3/8"ID X 24"L	1
9	10982	TIE, CABLE, BLACK NYLON 11-1/4"	1
10	11562	BARB ELBOW 90, 3/8HOSE X 1/8MPT (BRASS)	1
11	10864	NUT 1/8-27 PIPE THREAD (BRASS)	1

ILLUSTRATION 4: BRUSH SEAL GROUPING


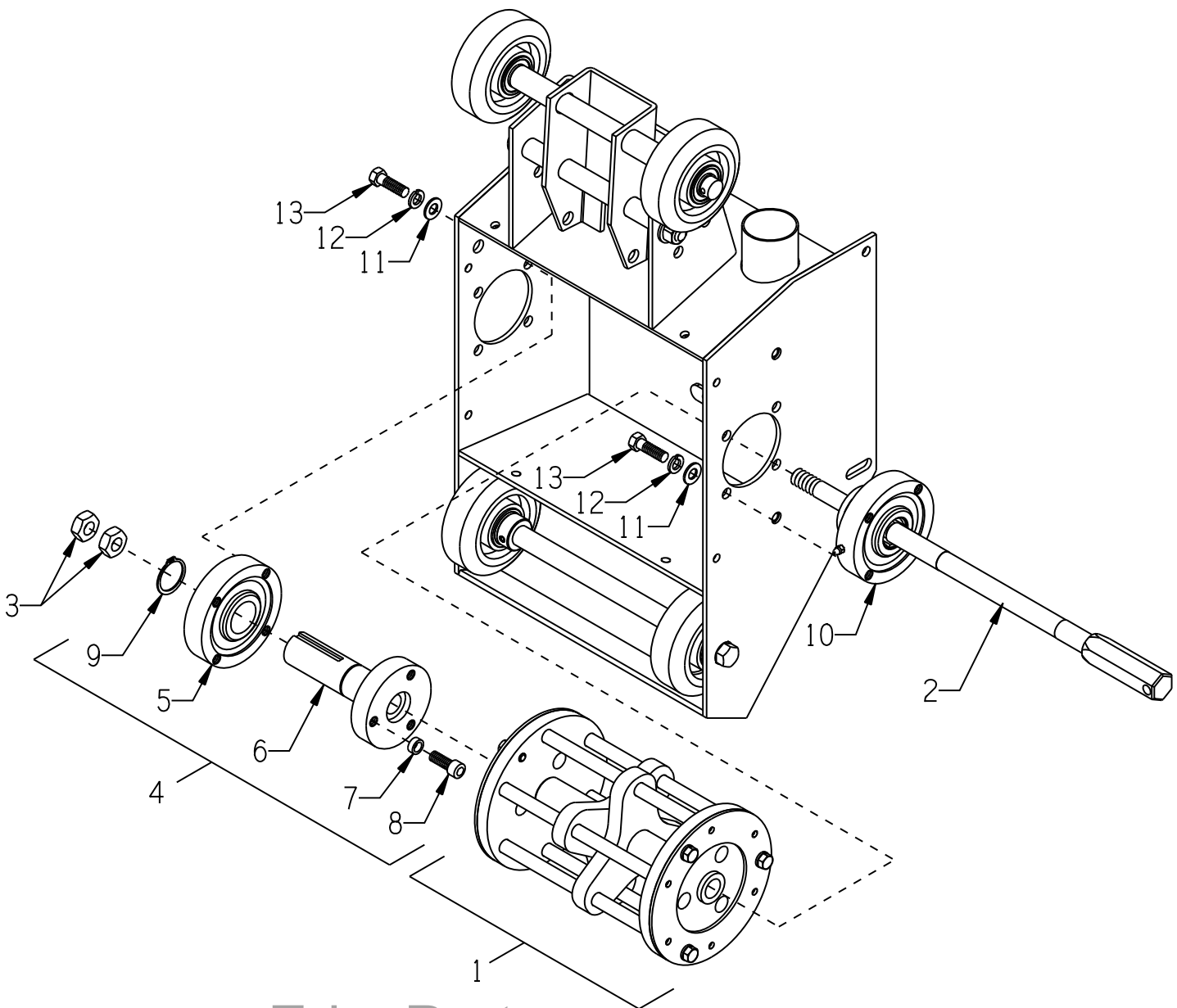
ITEM #	PART #	DESCRIPTION	QTY.
1	65036	BRUSHES (SET OF 4), CPM-8	1
2	10834	SCREW, CAP 1/4-20 X 1/2 ZINC	8
3	10861	NUT, KEPS LOCK 1/4-20 ZINC	8

EdcoParts.com

888-634-4289

An iBuy Stores Company

ILLUSTRATION 5: DRUM, SHAFT & BEARING GROUPING



EdcoParts.com
888-634-4289

An iBuy Stores Company

PARTS LISTING - ILLUSTRATIONS 5: DRUM, SHAFT & BEARING GROUPING			
ITEM #	PART #	DESCRIPTION	QTY.
1	65050	DRUM ASSY. COMP. CPM-8 CUTTER (REFER TO ILLUS. 6 FOR BREAKDOWN)	1
2	65037	DRUM SHAFT 18-3/8"L, CPL/M-8	1
3	65039	NUT, JAM 5/8-11 LEFT-HAND THREAD	2
4	65038A	DRIVER W/ BEARING ASSY., CPM-8 (INCLUDES ITEMS 5 THRU 9)	1
5	65056	BEARING ASSY. COMPLETE, 1-1/4"DIA.	1
	10961	FITTING, GREASE 1/4-28 X 90° (INCLUDED)	1
6	65038	DRIVER, CPM-8	1
7	10113	SPACER, STEEL 9/16OD X 3/8ID X 7/32	3
8	10878	SCREW, SKT. HD. CAP 3/8-24 X 1 ZINC	3
9	10873	RETAINING RING, EXT. 1-1/4"	1
10	65057	BEARING ASSY. COMPLETE, 1"HEX BORE	1
	10808	FITTING, GREASE 1/4-28 STR. (INCLUDED)	1
11	10025	WASHER, FLAT 3/8 SAE ZINC	8
12	10811	WASHER, LOCK 3/8 ZINC	8
13	10309	SCREW, CAP 3/8-24 X 1-1/4 ZINC	3

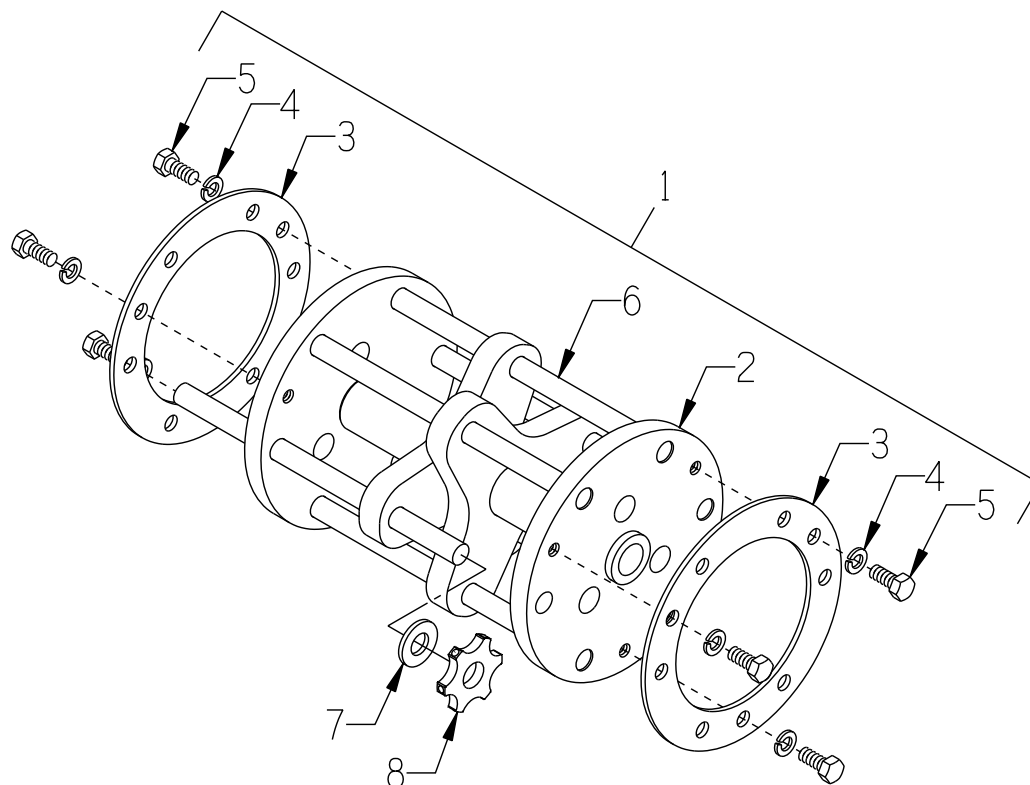
EdcoParts.com

888-634-4289

An iBuy Stores Company

**ILLUSTRATION 6:
CUTTER DRUM ASSEMBLY**

STANDARD - 8" WIDTH



ITEM #	PART #	DESCRIPTION	QTY.
1*	65050	DRUM ASSEMBLY COMPLETE, CPM-8 CUTTER (INCLUDES ITEMS 2 THRU 6)	1
2	65051	DRUM ONLY, CUTTER, CPM-8	1
3	65054	RETAINING PLATE, CUTTER SHAFT	2
4	10801	WASHER, LOCK 5/16 ZINC	6
5	10053	SCREW, CAP 5/16-18 X 3/4	6
6	20150	CP407 SHAFT 1/2 X 8-9/16"L	6
7*	12230	CG227 SPACER 1/2"ID	SEE NOTE
8*	20156	CUTTERS: CP206T 6-PT. CARBIDE 1-3/4"OD x 5/8"ID x 1/4"THK (SHOWN)	SEE NOTE
	20336	CP207T 7-PT. SOLID CARBIDE MILLING 1-1/2"OD x 1/2"ID x 1/2"THK	
	12206	JRS501P 18-PT. POINTED STEEL 2"OD x 1/2"ID x 3/16"THK	
	20206	CP305 12-PT. FLAT TIP STEEL 2"OD x 5/8"ID x 3/16"THK	

***NOTE:**

CUTTER WHEELS AND SPACERS ARE NOT INCLUDED WITH THE DRUM ASSEMBLY.
THE NUMBER OF CUTTER WHEELS AND SPACERS VARY WITH TYPE OF SET-UP USED.
REFER TO ASSEMBLY INSTRUCTIONS FOR SUGGESTED SET-UPS AND QUANTITIES.

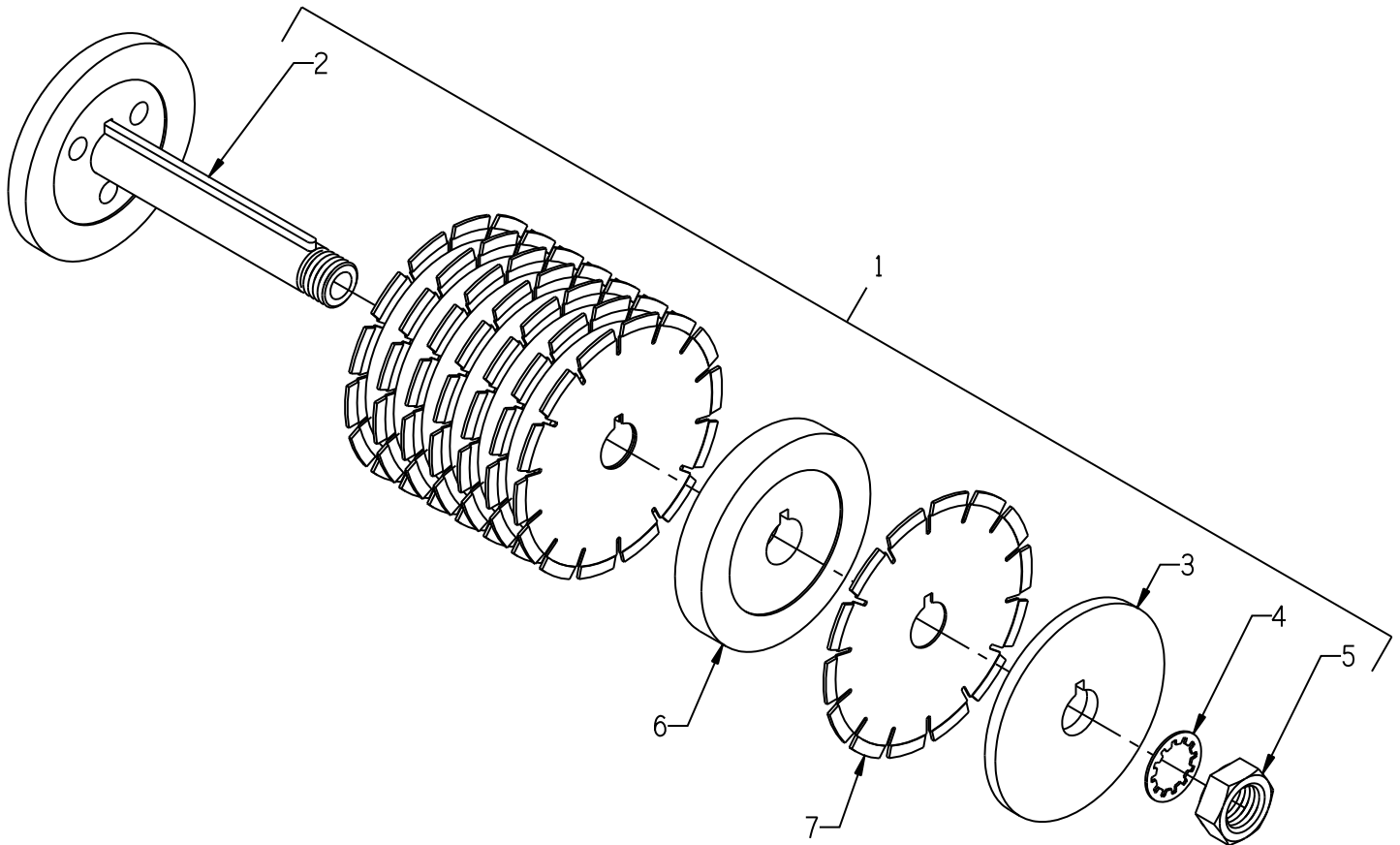
EdcoParts.com

888-634-4289

All In One Store Company

**ILLUSTRATION 7:
DIAMOND GROOVING HEAD ASSEMBLY**

OPTIONAL - 7" WIDTH



ITEM #	PART #	DESCRIPTION	QTY.
1	65077	HEAD ASSY., DIAMOND GROOVING, CPM-8 (INCLUDES ITEM 2 THRU 5)	1
2	65070	ARBOR, DIAMOND GROOVING HEAD, CPM-8	1
3	65071	ARBOR BLADE CAP 6", CPM-8	1
4	65075	WASHER, LOCK, INT. TOOTH 1-1/4"	1
5	65076	NUT, JAM 1 1/4-12	1
6*	65072 65073 65074 65078	SPACER 6"OD X 1-1/4"ID X .063 (MINIMUM BLADE SPACING) 6"OD X 1-1/4"ID X .43 (1/2" C TO C BLADE SPACING) 6"OD X 1-1/4"ID X .93 (1" C TO C BLADE SPACING - SHOWN) 6"OD X 1-1/4"ID X 5/8 (11/16" C TO C BLADE SPACING)	SEE NOTE
7*	39808 39806	DIAM. BLADE DCC05S 7X.090X1.25 W/ KW (3/32" THK. - SHOWN) DIAM. BLADE DCC05S 7X.250X1.25 W/ KW (1/4" THK.)	SEE NOTE

***NOTE:**

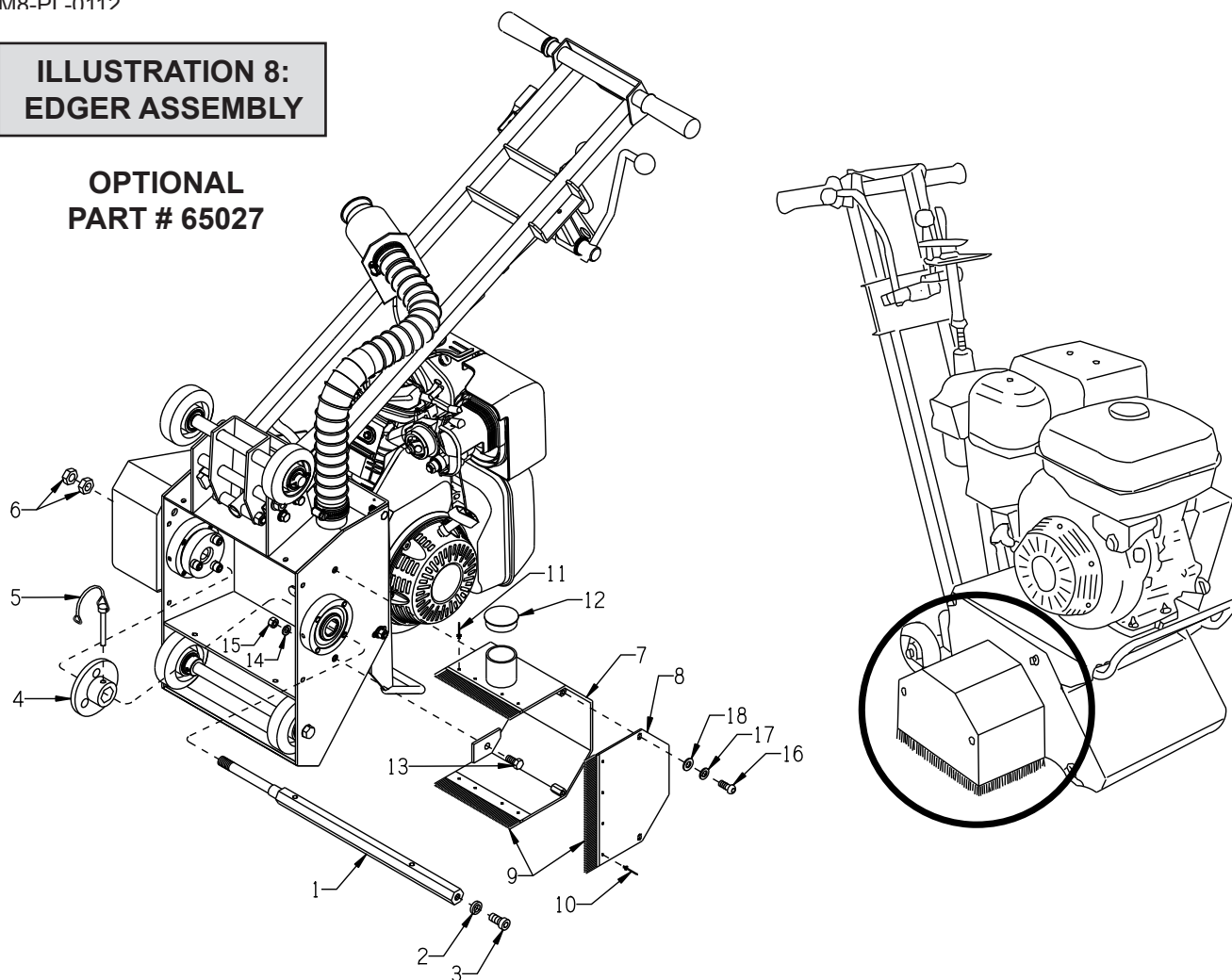
DIAMOND BLADES AND SPACERS ARE NOT INCLUDED WITH THE HEAD ASSEMBLY.
THESE QUANTITIES VARY WITH THE TYPE OF SET-UP USED.
REFER TO SET-UP DRAWINGS FOR QUANTITIES.

888-634-4289

An iBuy Stores Company

ILLUSTRATION 8: EDGER ASSEMBLY

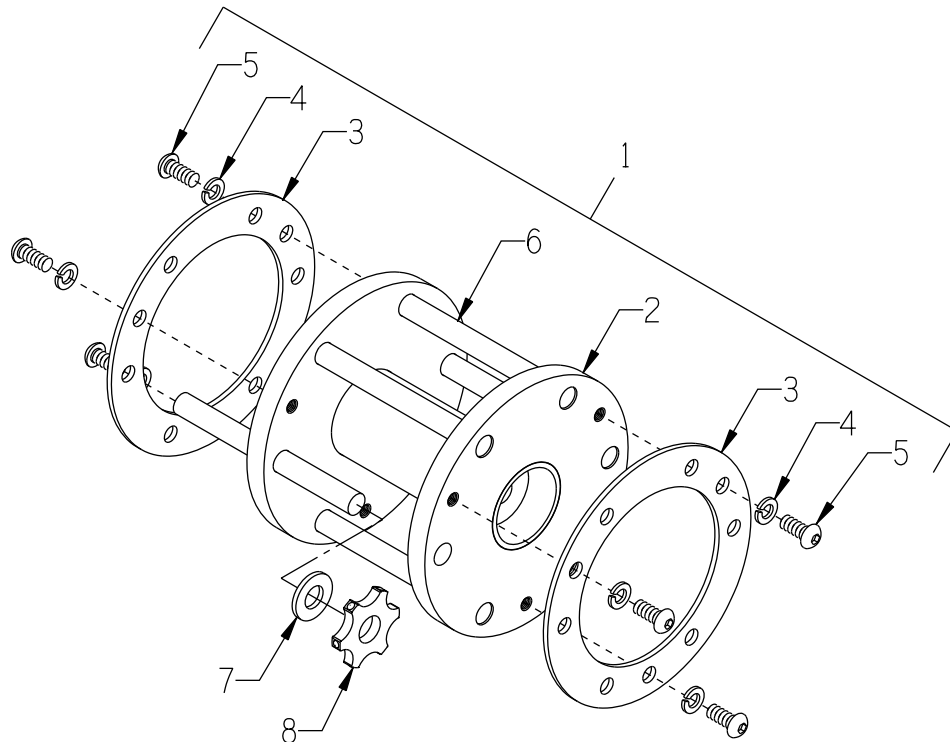
OPTIONAL
PART # 65027



ITEM #	PART #	DESCRIPTION	QTY.
1	65025	DRUM SHAFT, CPM-8 EDGER	1
2	10420	WASHER, LOCK 1/2 HEAVY-DUTY	1
3	10490	SCREW, SKT. HD. CAP 1/2-13 X 1	1
4	65026	FLANGE, DRIVER, CPM-8 EDGER	1
5	65028	PIN, WIRE LOCK 5/16" DIA. X 2.75" GRP	1
6	65039	NUT, JAM 5/8-11 LEFT-HAND THD. ZINC	2
7	65023A	COVER ONLY, DRUM, CPM-8 EDGER	1
8	65024A	COVER SIDE PANEL ONLY, CPM-8 EDGER	1
9	65029	BRUSHES (SET OF 3), CPM-8 EDGER	1-SET
10	10128	RIVET, BLIND 1/8 X .250L X .262HD	4
11	10134	RIVET, BLND 3/16X.450"L X.375HD DIA	8
12	65021	CAP/PLUG 2" RED PLASTIC, FLANGED	1
13	10055	SCREW, CAP 3/8-16 X 1	2
14	10811	WASHER, LOCK 3/8 ZINC	2
15	10404	NUT, HEX 3/8-16 ZINC	2
16	10627	SCREW, SKT. BUTTON HD. 5/16-18 X3/4	2
17	10801	WASHER, LOCK 5/16 ZINC	2
18	10213	WASHER, FLAT 5/16 SAE ZINC	2

**ILLUSTRATION 9:
EDGER CUTTER DRUM ASSEMBLY**

OPTIONAL - 4" WIDTH

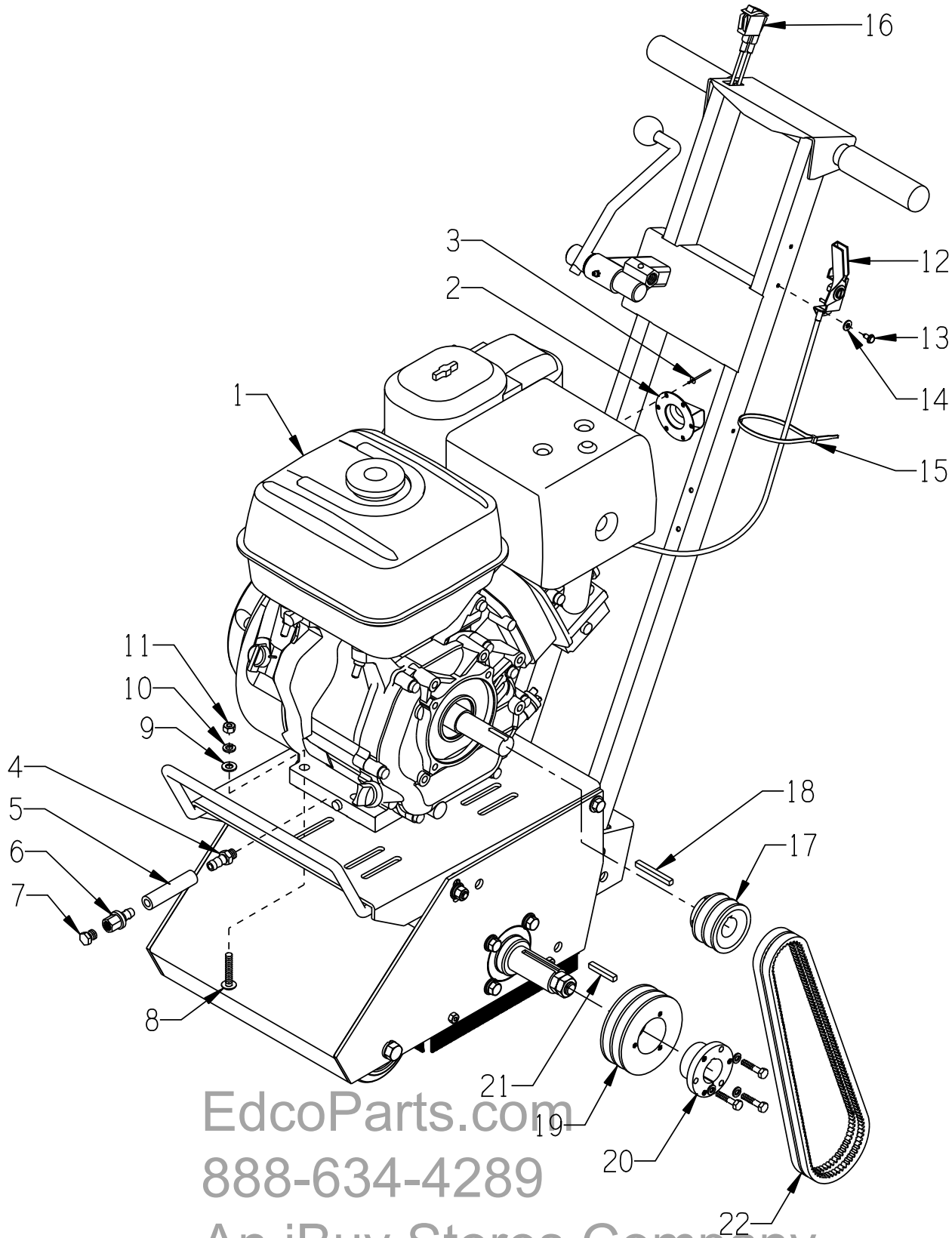


ITEM #	PART #	DESCRIPTION	QTY.
1*	C66040	DRUM ASSEMBLY COMPLETE, CPM-8 CUTTER (INCLUDES ITEMS 2 THRU 6)	1
2	C66041	DRUM ONLY, CUTTER, CPM-4	1
3	65054	RETAINING PLATE, CUTTER SHAFT	2
4	10801	WASHER, LOCK 5/16 ZINC	6
5	10627	SCREW, SKT. BUTTON HD. 5/16-18 X3/4	6
6	C66043	CP410 SHAFT 1/2 X 5-3/16" L	6
7*	12230	CG227 SPACER 1/2" ID	SEE NOTE
8*	20156	CUTTERS: CP206T 6-PT. CARBIDE 1-3/4" OD x 5/8" ID x 1/4" THK (SHOWN)	SEE NOTE
	20336	CP207T 7-PT. SOLID CARBIDE MILLING 1-1/2" OD x 1/2" ID x 1/2" THK	
	12206	JRS501P 18-PT. POINTED STEEL 2" OD x 1/2" ID x 3/16" THK	
	20206	CP305 12-PT. FLAT TIP STEEL 2" OD x 5/8" ID x 3/16" THK	

***NOTE:**

CUTTER WHEELS AND SPACERS ARE NOT INCLUDED WITH THE DRUM ASSEMBLY.
THE NUMBER OF CUTTER WHEELS AND SPACERS VARY WITH TYPE OF SET-UP USED.
REFER TO ASSEMBLY INSTRUCTIONS FOR SUGGESTED SET-UPS AND QUANTITIES.

ILLUSTRATION 10: ENGINE GROUPING



EdcoParts.com
888-634-4289
An iBuy Stores Company

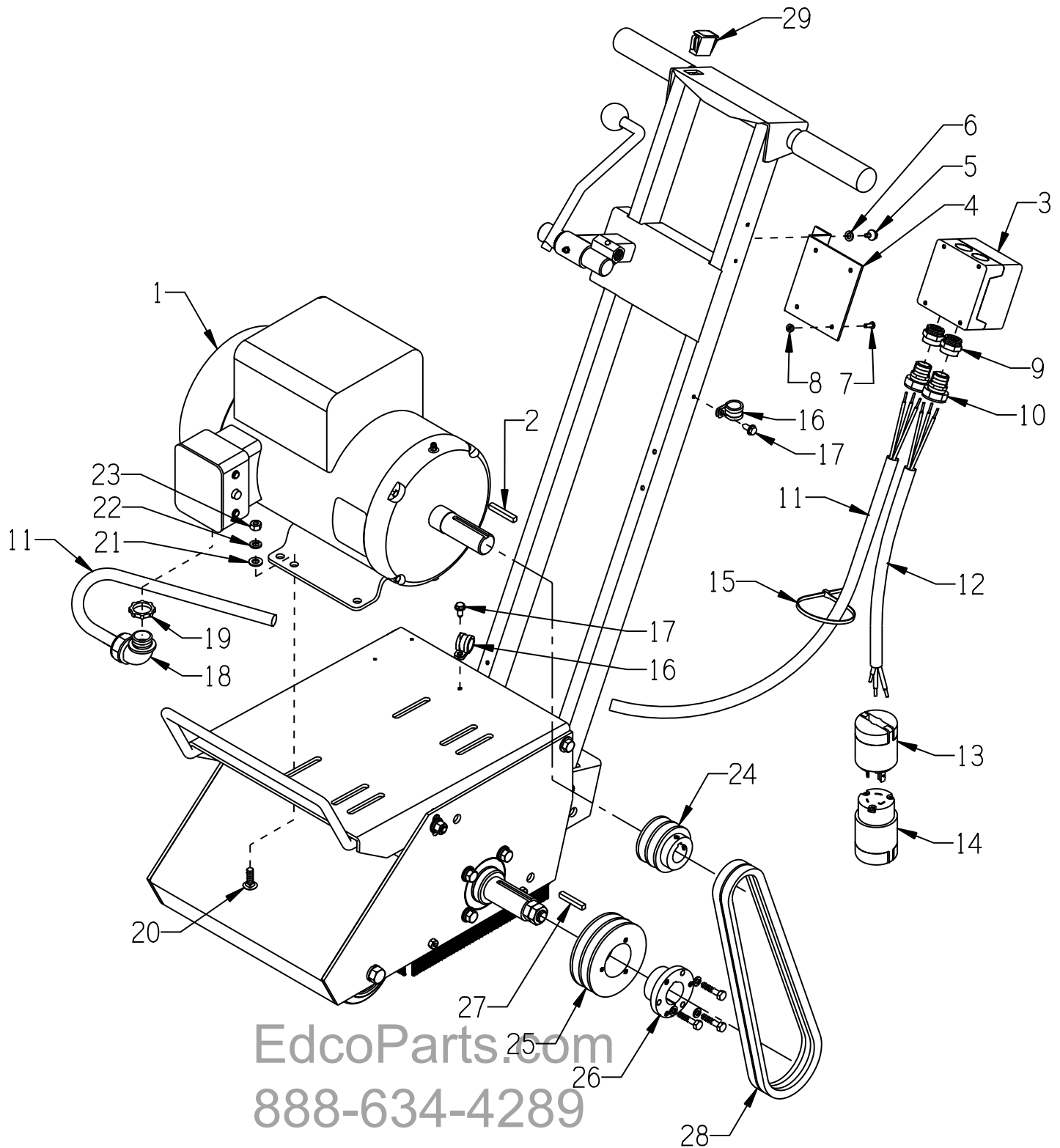
PARTS LISTING - ILLUSTRATION 10: ENGINE GROUPING			
ITEM #	PART #	DESCRIPTION	QTY.
1	15027	ENGINE, HONDA GX270U-QXC9 CYC.A.C.	1
2	10625	MUFFLER CAP, HONDA #18331-ZE3-811	1
3	10128	RIVET, BLIND 1/8 X .250L X .262HD	2
4	11544	BARB, PUSH-ON 3/8 HOSE X 1/4FPT	1
5	56116	HOSE, PUSH-ON 3/8"ID X 3"L	1
6	11542	BARB, PUSH-ON 3/8HOSE X M12-1.5MALE	1
7	10776	PIPE PLUG 1/4 NPT (BRASS)	1
8	10918	BOLT, CARRIAGE 5/16-18 X 1-3/4 F.T.	4
9	10213	WASHER, FLAT 5/16 SAE ZINC	4
	10025	WASHER, FLAT 3/8 SAE ZINC	2
10	10801	WASHER, LOCK 5/16 ZINC	4
11	10054	NUT, HEX 5/16-18 ZINC	4
12	40388	CABLE, THROTTLE, LEVER-TYPE 24"	1
13	10877	SCREW, CAP STSHW 10-24 X 1/2	2
14	10831	WASHER, LOCK, INT. TOOTH #10	2
15	10982	TIE, CABLE, BLACK NYLON 11-1/4"	1
16	15201A	SWITCH W/ WIRES, ROCKER RED ON-OFF ADDITIONAL PARTS REQ'D. (NOT SHOWN):	1
	50084	TERM., RING #10 16-14GA. INSULATED	1
	10877	SCREW, CAP STSHW 10-24 X 1/2	1
	10831	WASHER, LOCK, INT. TOOTH #10	1
17	10553	SHEAVE 2.5"OD X 2GR.A X 1"BORE	1
18	10307	KEY 1/4SQ X 2-1/4	1
19	65045	SHEAVE 4.05"OD X 2GR.A X SH	1
20	10505	BUSHING, SHEAVE SH X 1-1/4"BORE	1
21	40317	KEY 1/4SQ X 1-5/8	1
22	81007	BELT AX-33	2

EdcoParts.com

888-634-4289

An iBuy Stores Company

ILLUSTRATION 11: SINGLE PHASE MOTOR GROUPING



EdcoParts.com
888-634-4289

An iBuy Stores Company

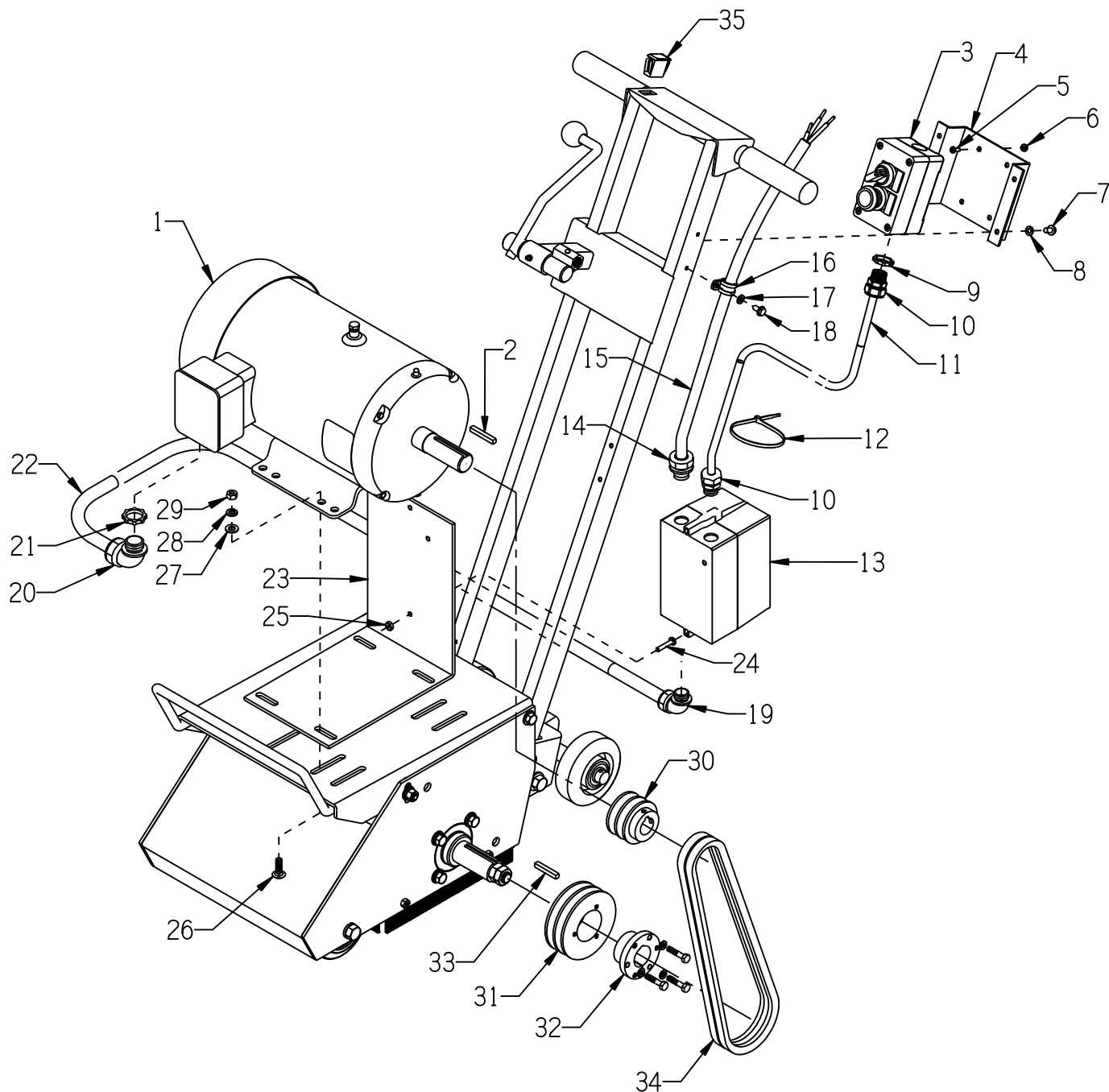
PARTS LISTING - ILLUSTRATION 11: SINGLE PHASE MOTOR GROUPING			
ITEM #	PART #	DESCRIPTION	QTY.
1	81026	MOTOR, BALDOR 5HP-1PH 60HZ 3450RPM	1
		REPLACEMENT PARTS:	
	16121	CAPACITOR, START, BALDOR EC1161C06SP	2
	16164	CAPACITOR, RUN, BALDOR #OC3040F09SP	1
	16540	THERMAL PROT. (RESET BUTTON) TPBRT25DB	1
2	-----	KEY 1/4"SQ. X 1-3/4 (INCLUDED W/ MOTOR)	1
3	77043	SWITCH, ROTARY CAM ON/OFF	1
4	77042	BRACKET, ROTARY CAM SWITCH	1
5	10846	SCREW, CAP STSHW 1/4-20 X 1/2	2
6	10038	WASHER, LOCK 1/4 ZINC	2
7	11663	SCREW, MACHINE 8-32 X 1/2 (LOCATED INSIDE OF SWITCH BOX)	4
8	10462	NUT, KEPS LOCK 8-32 ZINC	4
9	77043-1	SWITCH ADAPTER, PG16 TO 1/2"NPT	2
10	41130	STRAIN RELIEF 1/2NPT X .550-.650"	2
11	65137	WIRE HARNESS 10/3 X 60"LOA	1
12	86026	WIRE HARNESS 10/3 X 24"LOA	1
13	40037	PLUG, LOCKING 20A/250V L6-20P	1
14	40000	CONNECTOR, LOCKING 20A/250V L6-20C	1
15	10982	TIE, CABLE, BLACK NYLON 11-1/4"	1
16	11565	CLAMP, LOOM, 5/8" (SAE SIZE 10)	2
17	10877	SCREW, CAP STSHW 10-24 X 1/2	2
	10831	WASHER, LOCK, INT. TOOTH #10	2
18	16539	STRAIN RELIEF 90D X 3/4NPT .50-.625	1
19	10740	CONDUIT LOCK NUT 3/4 NP (LOCATED INSIDE OF JUNCTION BOX)	1
20	10819	BOLT, CARRIAGE 5/16-18 X 1 FULL THD	4
21	10213	WASHER, FLAT 5/16 SAE ZINC	4
22	10801	WASHER, LOCK 5/16 ZINC	4
23	10054	NUT, HEX 5/16-18 ZINC	4
24	10555	SHEAVE 2.5"OD X 2GR.A X 1-1/8"BORE	1
25	65045	SHEAVE 4.05"OD X 2GR.A X SH	1
26	10505	BUSHING, SHEAVE SH X 1-1/4"BORE	1
27	40317	KEY 1/4SQ X 1-5/8	1
28	10239	BELT A32	2
29	15204	PLUG, RECT. HOLE, PLASTIC SNAP-IN	1

EdcoParts.com

888-634-4289

An iBuy Stores Company

ILLUSTRATION 12: THREE PHASE MOTOR GROUPING



PARTS LISTING - ILLUSTRATION 12: THREE PHASE MOTOR GROUPING

ITEM #	PART #	DESCRIPTION	QTY.
1	81022	MOTOR, BALDOR 5HP-3PH-60HZ-230/460V EM3613T	1
	16020	MOTOR, BALDOR 5HP-3PH 50HZ-220/380/440V M3613T-50	1
2		KEY 1/4" SQ X 1-3/4 (INCLUDED W/ MOTOR)	1
3	16660	SWITCH BOX COMPLETE, ON/OFF/E-STOP ... INCLUDES:	1
	16661	ENCLOSURE, 2 HOLE ACI PBE2	1
	16662	LEGEND PLATE, EMER STOP - BLACK	1
	16663	LEGEND PLATE, OFF/ON	1
	16664	MUSHROOM BUTTON, RED JR22GN11R	1
	16665	KNOB TYPE SELECTOR SWITCH, BLACK	1

PARTS LISTING CONTINUED - ILLUS. 12: THREE PHASE MOTOR GROUPING			
ITEM #	PART #	DESCRIPTION	QTY.
4	65088	BRACKET, REMOTE SWITCH, CPM-8	1
5	11663	SCREW, MACHINE 8-32 X 1/2	4
6	10462	NUT, KEPS LOCK 8-32 ZINC	4
7	10846	SCREW, CAP STSHW 1/4-20 X 1/2	4
8	10038	WASHER, LOCK 1/4 ZINC	4
9	10790	CONDUIT LOCK NUT 1/2 NP (LOCATED INSIDE BOX)	1
10	16190	STRAIN RELIEF 1/2NPT X .250-.350"	2
11	65140	WIRE HARNESS 16/2 X 48"LOA	1
12	10982	TIE, CABLE, BLACK NYLON 11-1/4"	3
13	16457	STARTER ACI #128844 200/240V COIL 11.3-16A O/L	1
	16458	STARTER ACI #128846 440/480V COIL 5.5-7.5A O/L	1
	16476	STARTER ACI 440/480V 7.2-10A O/L (USED FOR 50Hz-380V)	1
		REPLACEMENT PARTS:	
	16617	STARTER CONT./COIL ACI SK18.310-230	1
	16618	STARTER CONT./COIL ACI SK18.310-460	1
	16622	STARTER AC COIL 200/240V-60HZ, 190/220-50HZ	1
	16623	STARTER AC COIL 440/480V-60HZ, 380/415-50HZ	1
	16632	STARTER OVERLOAD RELAY 5.5-7.5 AMP	1
	16633	STARTER OVERLOAD RELAY 7.2-10.0 AMP	1
	16635	STARTER OVERLOAD RELAY 11.3-16.0 AMP	1
14	41053	STRAIN RELIEF 1/2NPT X .625-.750"	1
15	65105	WIRE HARNESS 10/4 X 48"LOA, CPM-8	1
16	11565	CLAMP, LOOM, 5/8" (SAE SIZE 10)	1
17	10831	WASHER, LOCK, INT. TOOTH #10	1
18	10877	SCREW, CAP STSHW 10-24 X 1/2	1
19	11621	STRAIN RELIEF 1/2"90D X .625-.750"	1
20	16539	STRAIN RELIEF 90D X 3/4NPT .50-.625	1
21	10740	CONDUIT LOCK NUT 3/4 NP (LOCATED INSIDE BOX)	1
22	65108	WIRE HARNESS 10/4 X 32"LOA, CPM-8	1
23	65087	MOUNT, STARTER	1
24	11732	SCREW, MACHINE 10-32 X 1-3/4 RPH	2
	10384	SCREW, MACHINE 10-32 X 1 RHP	1
25	10832	NUT, KEPS LOCK 10-32 ZINC	3
26	10820	BOLT, CARRIAGE 5/16-18 X 1-1/4 F.T.	4
27	10213	WASHER, FLAT 5/16 SAE ZINC	4
28	10801	WASHER, LOCK 5/16 ZINC	4
29	10054	NUT, HEX 5/16-18 ZINC	4
30	10555	SHEAVE 2.5"OD X 2GR.A X 1-1/8"BORE (60Hz MOTOR)	1
	10526	SHEAVE 3"OD X 2GR.A X 1-1/8"BORE (50Hz MOTOR)	1
31	65045	SHEAVE 4.05"OD X 2GR.A X SH	1
32	10505	BUSHING, SHEAVE SH X 1-1/4"BORE	1
33	40317	KEY 1/4SQ X 1-5/8	1
34	10239	BELT A32	2
35	15204	PLUG, RECT. HOLE, PLASTIC SNAP-IN	1

EdcoParts.com

888-634-4289

An iBuy Stores Company