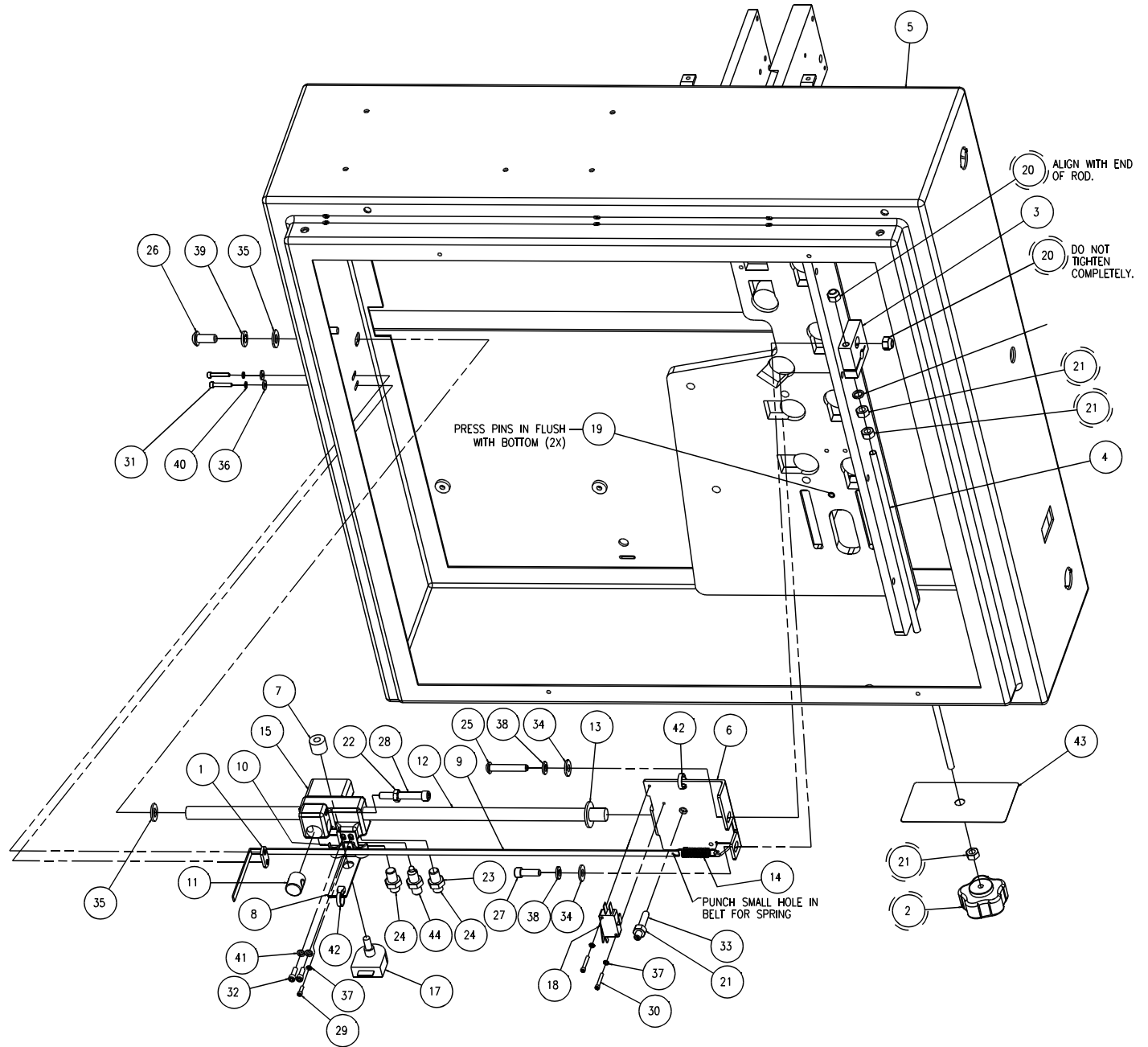


4.0 Parts Lists

4.1 Main Assembly – Backgauge Bracket

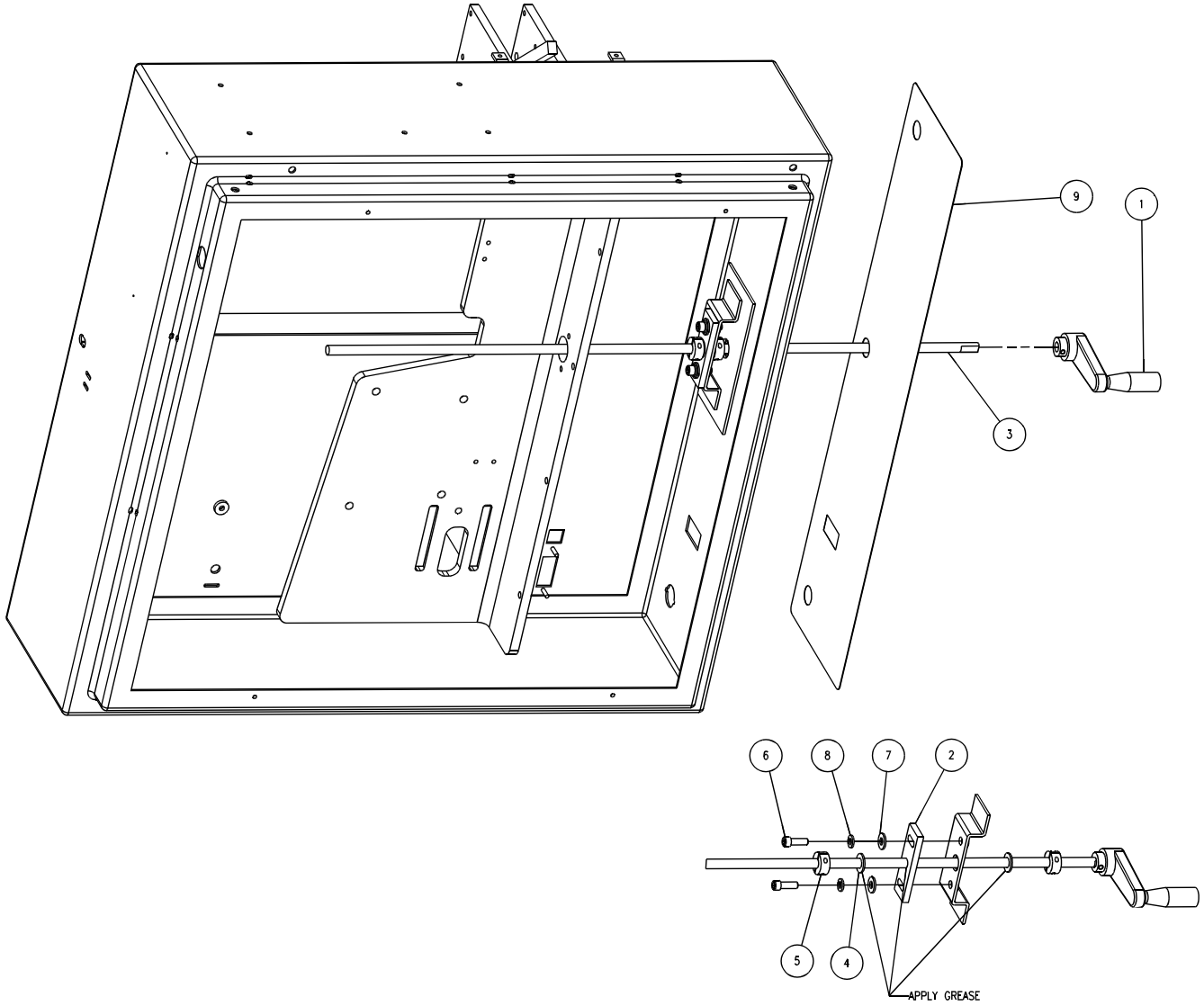
60000-A Sheet 1, Rev. F



NO.	PART NO.	DESCRIPTION	QTY
1	60042	DOUBLE NUT- #6-32	1
2	60075	KNOB - 5 LOBE, SOFT TOUCH	1
3	60096	HANDWHEEL LOCK BLOCK	1
4	60098	HANDWHEEL LOCK ADJ. ROD	1
5	60100	BASE WELDMENT	1
6	60206	GUIDE SHAFT BRACKET	1
7	60208	TIMING PULLEY- 25 GROOVE MXL	1
8	60209	ENCODER MOUNTING BRACKET	1
9	60211	BELT- MXL	1
10	60212	CABLE CLAMP	1
11	60213	LEADSCREW NUT - S/N 072991-073026, 072985 & BELOW	1
	60214	LEADSCREW NUT - S/N 072986-072990, 073027 & UP	
12	61044	GUIDE SHAFT	1
13	11288-10	WASHER/SPACER	1
14	47136-11	SPRING	1
15	60202	B.G. BRACKET – S/N 072991-073026, 072985 & BELOW	1
	60202-1	B.G. BRACKET – S/N 072986-072990, 073027 & UP	
16	61065-313062	SHLD SCR SHORTENING SHIM- 5/16	1
17	E-2467-2	ENCODER	1
18	E-866-4	MICROSWITCH	1
19	H-21S-250-0750	ROLL PIN - 1/4 X 3/4	2
20	H-5247-4	NUT - 1/4-20 FLEX LOCK	2
21	H-6417-4	NUT - 1/4-20 HEX	4
22	H-6424-4	NUT - 1/4-20 HEX JAM	1
23	H-6424-6	NUT - 3/8-16 HEX JAM	3
24	H-6890-608	SCREW - 3/8-16 X 1 NYLON SOC SET	2
25	H-6910-412	SCREW - 1/4-20 X 1-1/2 BUTTON HEAD CAP	1
26	H-6910-506	SCREW - 5/16-18 X 3/4 BUTTON HEAD CAP	1
27	H-6918-406	SCREW - 1/4-20 X 3/4 SOCKET HEAD CAP	1
28	H-6918-414	SCREW - 1/4-20 X 1-3/4 SOCKET HEAD CAP	1
29	H-6918-44003	SCREW - #4-40 X 3/8 SOCKET HEAD CAP	1
30	H-6918-44006	SCREW - #4-40 X 3/4 SOCKET HEAD CAP	2
31	H-6918-63206	SCREW - #6-32 X 3/4 SOCKET HEAD CAP	2
32	H-6918-83204	SCREW - #8-32 X 1/2 SOCKET HEAD CAP	2
33	H-6940-424	SCREW - 1/4-20 X 1-1/2 FLAT SOC SET	1
34	H-7321-4	WASHER - 1/4 SAE PLAIN	2
35	H-7321-5	WASHER - 5/16 SAE PLAIN	2
36	H-7321-#6	WASHER - #6 SAE PLAIN	2
37	H-7324-#4	WASHER - #4 INT TOOTH	3
38	H-7327-#8	WASHER - 1/4 MEDIUM LOCK	2
39	H-7327-10	WASHER - 5/16 MEDIUM LOCK	1
40	H-7327-#6	WASHER - #6 MEDIUM LOCK	2
41	H-7327-#8	WASHER - #8 MEDIUM LOCK	2
42	S-1694	TYRAP	2
43	S-1781-162	LABEL - KNIFE ADJUST	1
44	S-2021-2	SPRING PLUNGER	1

4.2 Main Assembly – Leadscrew

60000-A Sheet 2, Rev. C



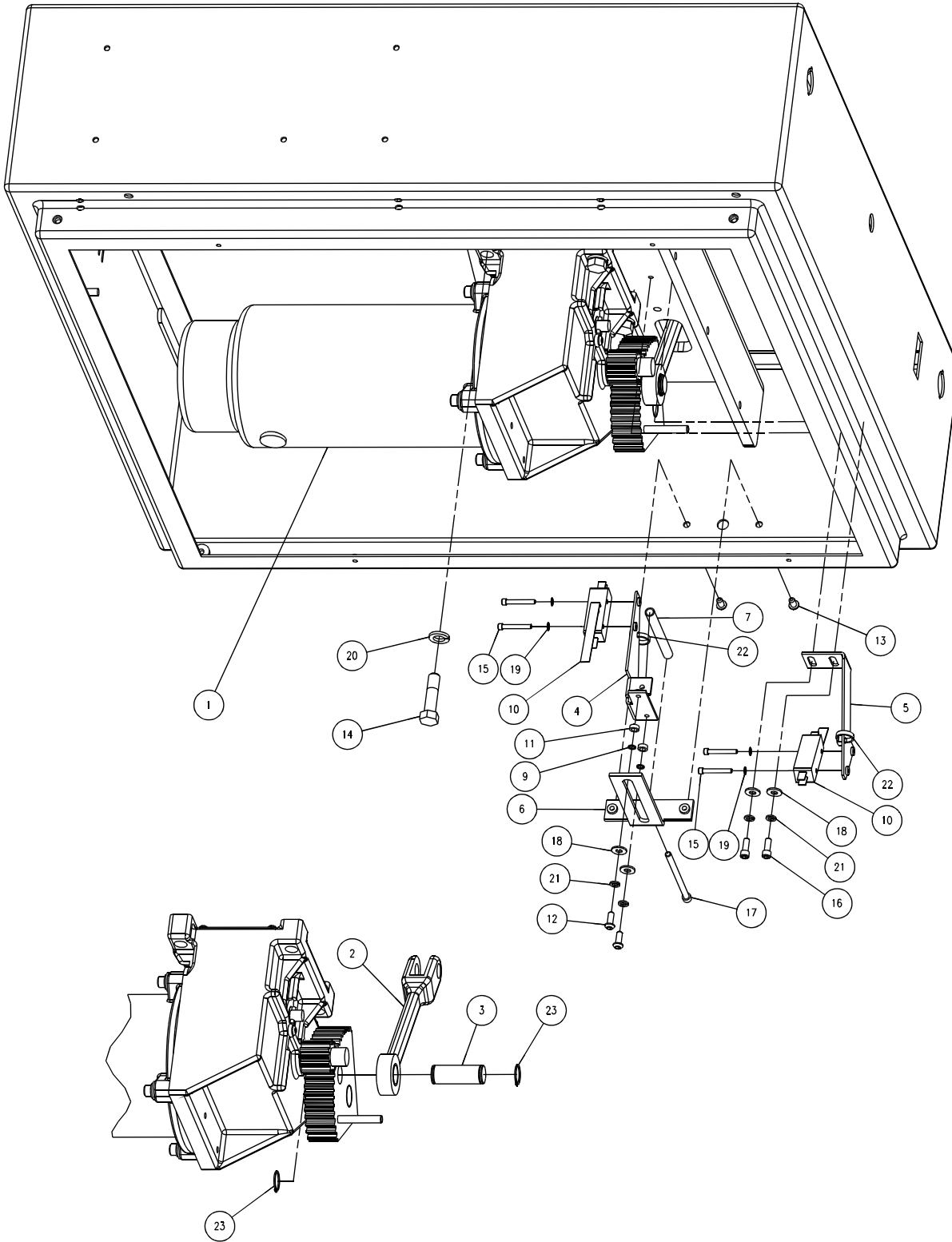
Main Assembly – Leadscrew

60000-A Sheet 2, Rev. C

NO.	PART NO.	DESCRIPTION	QTY
1	60043	HANDCRANK - BACKGAUGE	1
2	60115	ADJUSTABLE PILLOW BLOCK	1
3	60210	LEADSCREW	1
4	11288-5	NYLON WASHER	2
5	A-10081-4	SPLIT COLLAR	2
6	H-6918-406	SCREW - 1/4-20 X 3/4 SOCKET HEAD CAP	2
7	H-7321-4	WASHER - 1/4 SAE PLAIN	2
8	H-7327-8	WASHER - 1/4 MEDIUM LOCK	2
9	S-1781-154	FRONT LABEL	1

4.3 Main Assembly – Knife Drive

60000-A Sheet 3, Rev. C



Main Assembly – Knife Drive

60000-A Sheet 3, Rev. C

NO.	PART NO.	DESCRIPTION	QTY
1	60005	MOTOR AND GEARBOX ASM - 120V, 60HZ	1
2	60010	PULL-DOWN LINK	1
3	60028	PIN - LOWER PULL DOWN	1
4	60038	LOWER LIMIT SWITCH BRACKET	1
5	60039	UPPER LIMIT SWITCH BRACKET	1
6	60111	SWITCH ADJUSTMENT BRACKET	1
7	35048-21	COMPRESSION SPRING	1
8	60005-1	MOTOR AND GEARBOX ASM - 220V, 60HZ	1
9	61034-250032	SHLD SCR LENGTHENING SHIM- 1/4	2
10	E-3112-3	MICROSWITCH	2
11	E-1152-71	STANDOFF	2
12	H-6910-102404	SCREW - #10-24 X 1/2 BUTTON HEAD CAP	2
13	H-6910-102403SS	SCREW - #10-24 X 3/8 BUT. HEAD CAP STAINLESS	2
14	H-6913-612	SCREW - 3/8-16 X 1-1/2 HEX HEAD CAP	4
15	H-6918-63208	SCREW - #6-32 X 1 SOCKET HEAD CAP	4
16	H-6918-102404	SCREW - #10-24 X 1/2 SOCKET HEAD CAP	2
17	H-6918-102424	SCREW - #10-24 X 3 SOCKET HEAD CAP	1
18	H-7321-#10	WASHER - #10 SAE PLAIN	4
19	H-7324-#6	WASHER - #6 INT TOOTH	4
20	H-7327-12	WASHER - 3/8 MEDIUM LOCK	4
21	H-7327-#10	WASHER - #10 MEDIUM LOCK	4
22	S-1694	TYRAP	2
23	S-1073-62	RETAINING RING	2

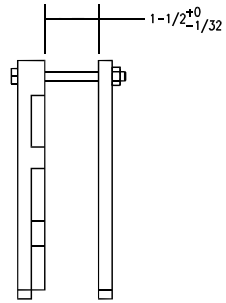
Main Assembly – Bottom Side Electrical

60000-A Sheet 4, Rev. C

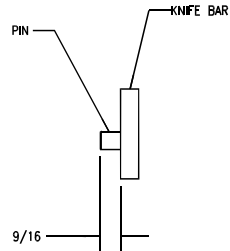
NO.	PART NO.	DESCRIPTION	QTY
1	47214-1	SHOULDER WASHER	1
2	E-3074	CIRCUIT BREAKER AND ON/OFF SWITCH - 8 AMP	1
3	E-3117	BOOT - RUBBER, MOTOR CAPACITOR	1
4	E-3129	PUSHBUTTON SWITCH	2
5	E-1152-56	STANDOFF	5
6	E-1152-71	STANDOFF	2
7	E-2416-5	CAPACITOR - 80 MFD	1
8	E-2626-2	TERMINAL STRIP (2P)	1
9	E-2709-4	BRACKET - CAPACITOR (80 MFD)	1
10	EE-3188	POWER CORD - 120V	1
11	EE-3061	RELAY BOARD ASM. - 120V	1
12	EE-3065	PCB SMT ASM- COUNTER	1
13	EE-3115	TRANSFORMER ASSEMBLY - 120V PRIMARY	1
14	EE-3116	WIRE HARNESS ASSEMBLY	1
15	H-6423-N6	NUT - #6-32 HEX KEP	7
16	H-6424-6	NUT - 3/8-16 HEX JAM	1
17	H-6910-102404	SCREW - #10-24 X 1/2 BUTTON HEAD CAP	4
18	H-6910-63203SS	SCREW - #6-32 X 3/8 BUT. HEAD CAP STAINLESS	5
19	H-6940-632	SCREW - 3/8-16 X 2 FLAT SOC SET	1
20	H-7320-N8	WASHER - #8 FIBER	2
21	H-7327-N10	WASHER - #10 MEDIUM LOCK	4
22	S-1350-16	STRAIN RELIEF BUSHING	1
23	S-1694-1	TYRAP	5
24	S-1781-129	LABEL - INTERCONNECTION/FUSE, 120V	1

4.5 Main Assembly – Knife

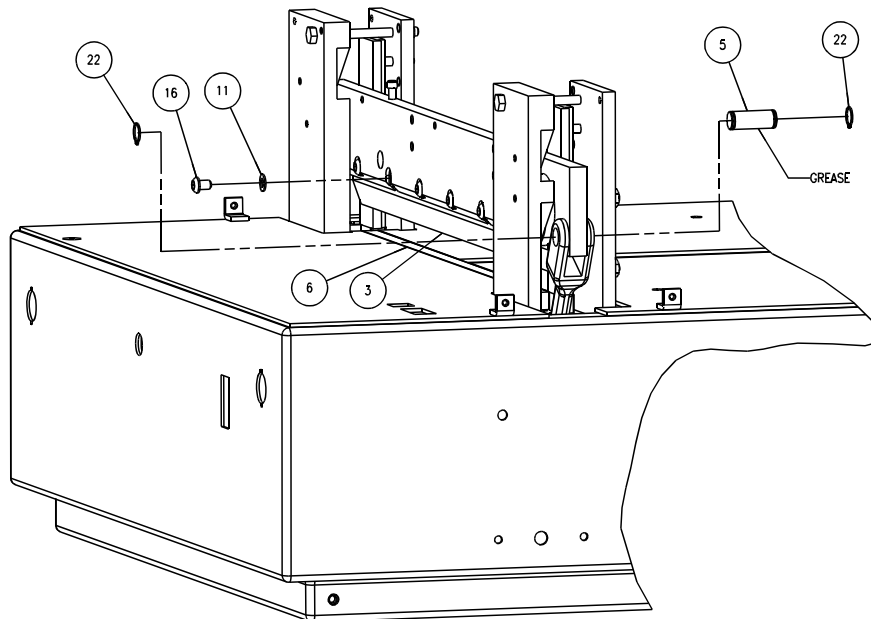
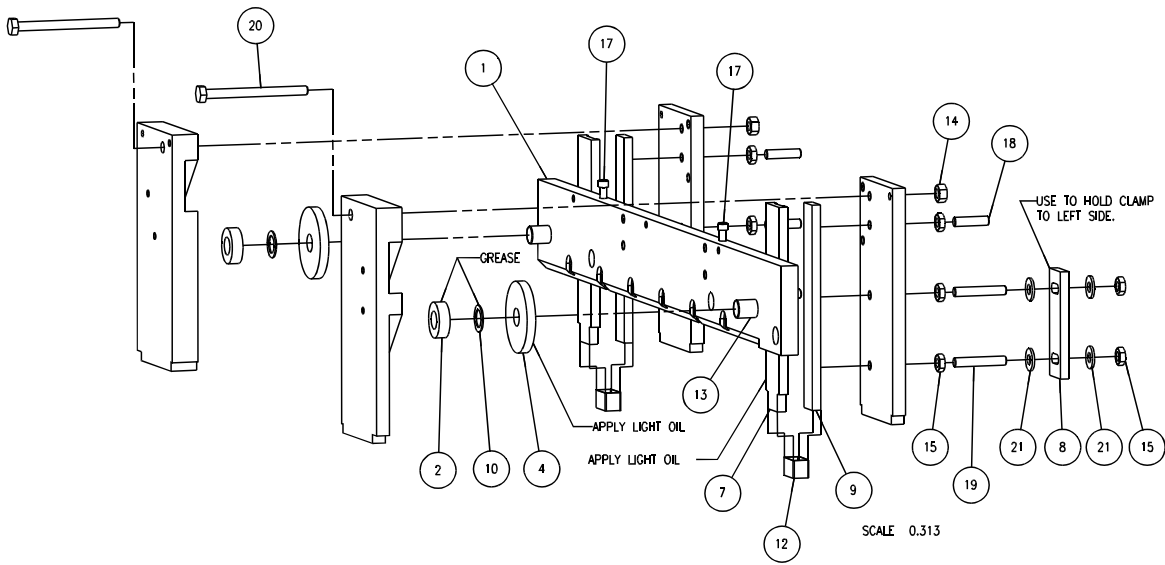
60000-A Sheet 5, Rev. C



UPRIGHT DETAIL
SCALE 0.313



KNIFE BAR DETAIL
SCALE 0.313



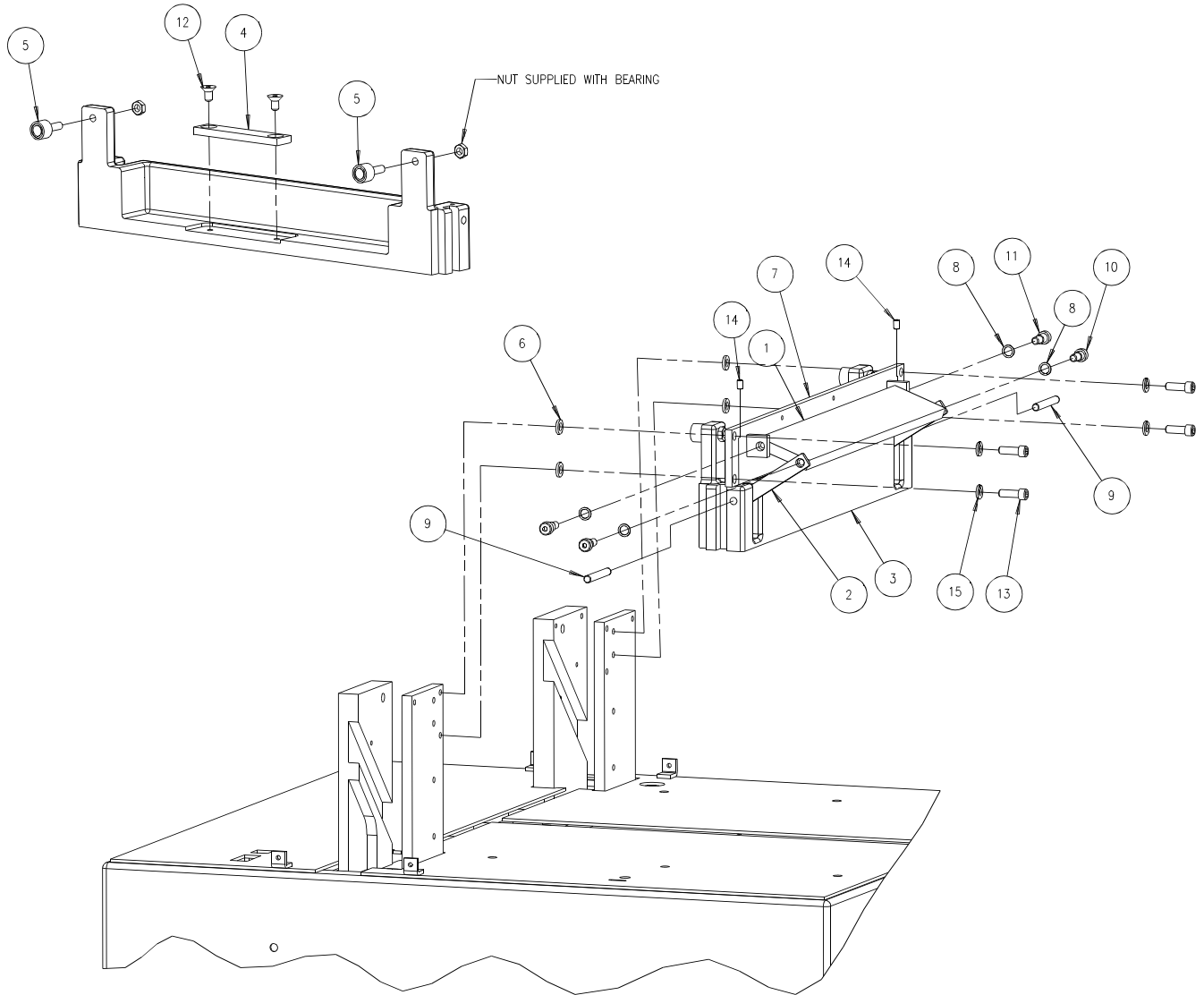
Main Assembly – Knife

60000-A Sheet 5, Rev. C

NO.	PART NO.	DESCRIPTION	QTY
1	60002	KNIFE BAR	1
2	60003	ROLLER	2
3	60011	KNIFE	1
4	60014	ROLLER DISK	2
5	60030	PIN - UPPER PULL DOWN	1
6	60057	CUT STICK	1
7	56256	GIB INSERT (S/N 051260 AND BELOW)	2
	60074	GIB INSERT (S/N 051261 AND ABOVE)	2
8	60089	CLAMP GUIDE BLOCK	1
9	60015	GIB SUPPORT (S/N 051260 AND BELOW)	2
	60015-1	GIB SUPPORT (S/N 051261 AND ABOVE)	2
10	61065-500032	SHLD SCR SHORTENING SHIM- 1/2	2
11	8815-1	WASHER - KNIFE SCREWS	6
12	E-1453-9	TUBING - 3/4 DIA. X 1/2" LENGTH	2
13	H-5246-808	DOWEL PIN - 1/2 X 1 HD GD	2
14	H-6417-4	NUT - 1/4-20 HEX	2
15	H-6424-4	NUT - 1/4-20 HEX JAM	8
16	H-6910-403	SCREW - 1/4-20 X 3/8 BUTTON HEAD CAP	6
17	H-6918-102416	SCREW - #10-24 X 2 SOCKET HEAD CAP	2
18	H-6940-416	SCREW - 1/4-20 X 1 FLAT SOC SET	4
19	H-6940-424	SCREW - 1/4-20 X 1-1/2 FLAT SOC SET	2
20	H-6992-424	SCREW - 1/4-20 X 3 FULL THD HEX HD	2
21	H-7321-4	WASHER - 1/4 SAE PLAIN	4
22	S-1073-50	RETAINING RING	2

4.6 Main Assembly – Clamp

60000-A Sheet 6, Rev. F



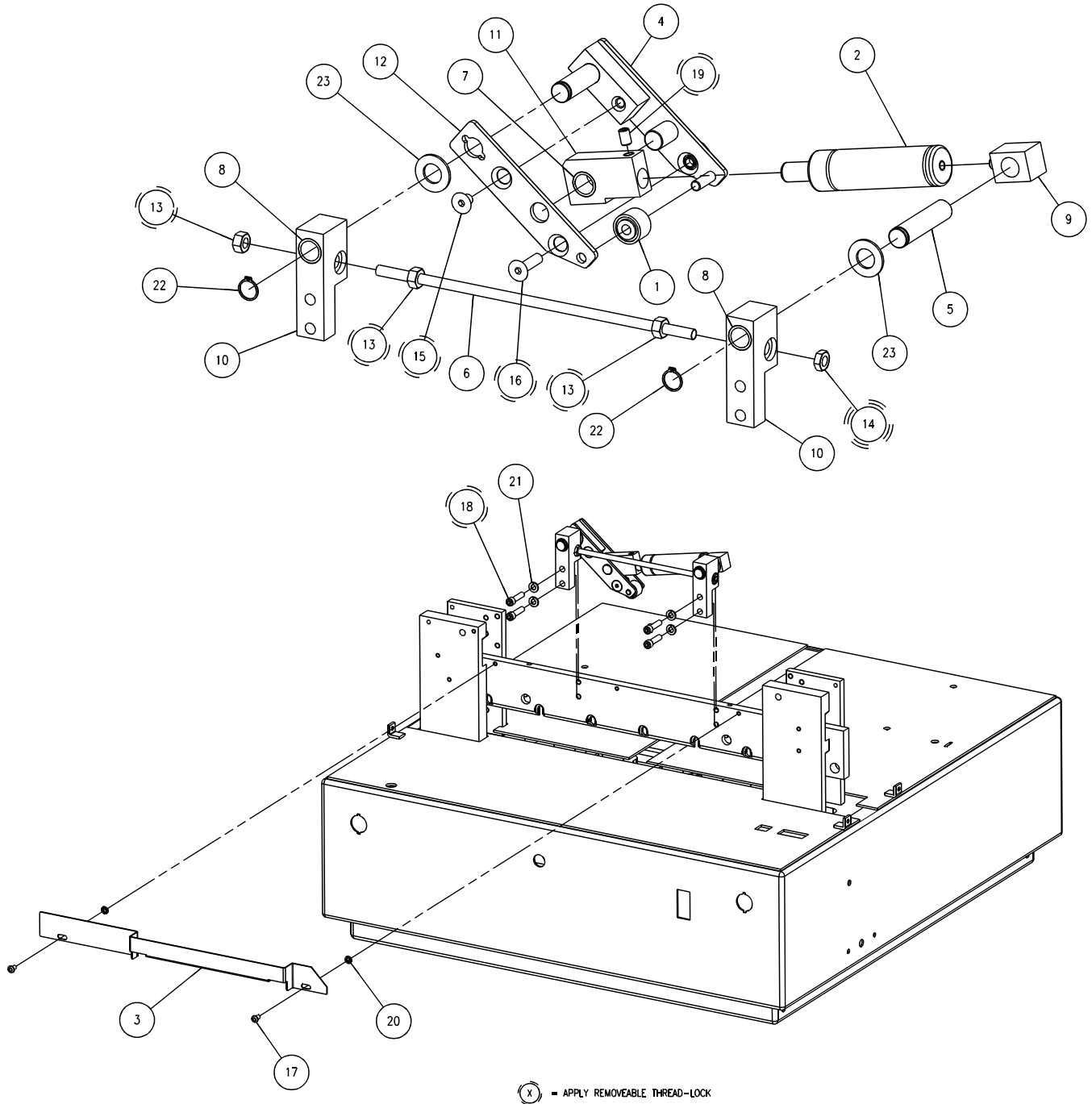
Main Assembly – Clamp

60000-A Sheet 6, Rev. F

NO.	PART NO.	DESCRIPTION	QTY
1	60017	TORSION BAR	1
2	60018	TORSION LINK	2
3	60076	CLAMP	1
4	60079	BEARING PLATE	1
5	60083	BEARING - STUD TYPE CAM FOLLOWER	2
6	20075-12	SHIM	4
7	61027-1	ARCH WELDMENT - 150A	1
8	61065-313032	SHLD SCR SHORTENING SHIM- 5/16	4
9	H-5246-416	DOWEL PIN - 1/4 X 2 HD GD	2
10	H-5254-502	SCREW - 5/16 X 1/4 SHSS	2
11	H-5254-503	SCREW - 5/16 X 3/8 SHSS	2
12	H-6909-404	SCREW - 1/4-20 X 1/2" FLAT HEAD CAP	2
13	H-6918-406	SCREW - 1/4-20 X 3/4 SOCKET HEAD CAP	4
14	H-6938-102405	SCREW - #10-24 X 5/16 CUP SOC SET	2
15	H-7327-8	WASHER - 1/4 MEDIUM LOCK	4

4.7 Main Assembly – Clamp Mechanism

60000-A Sheet 7, Rev. F



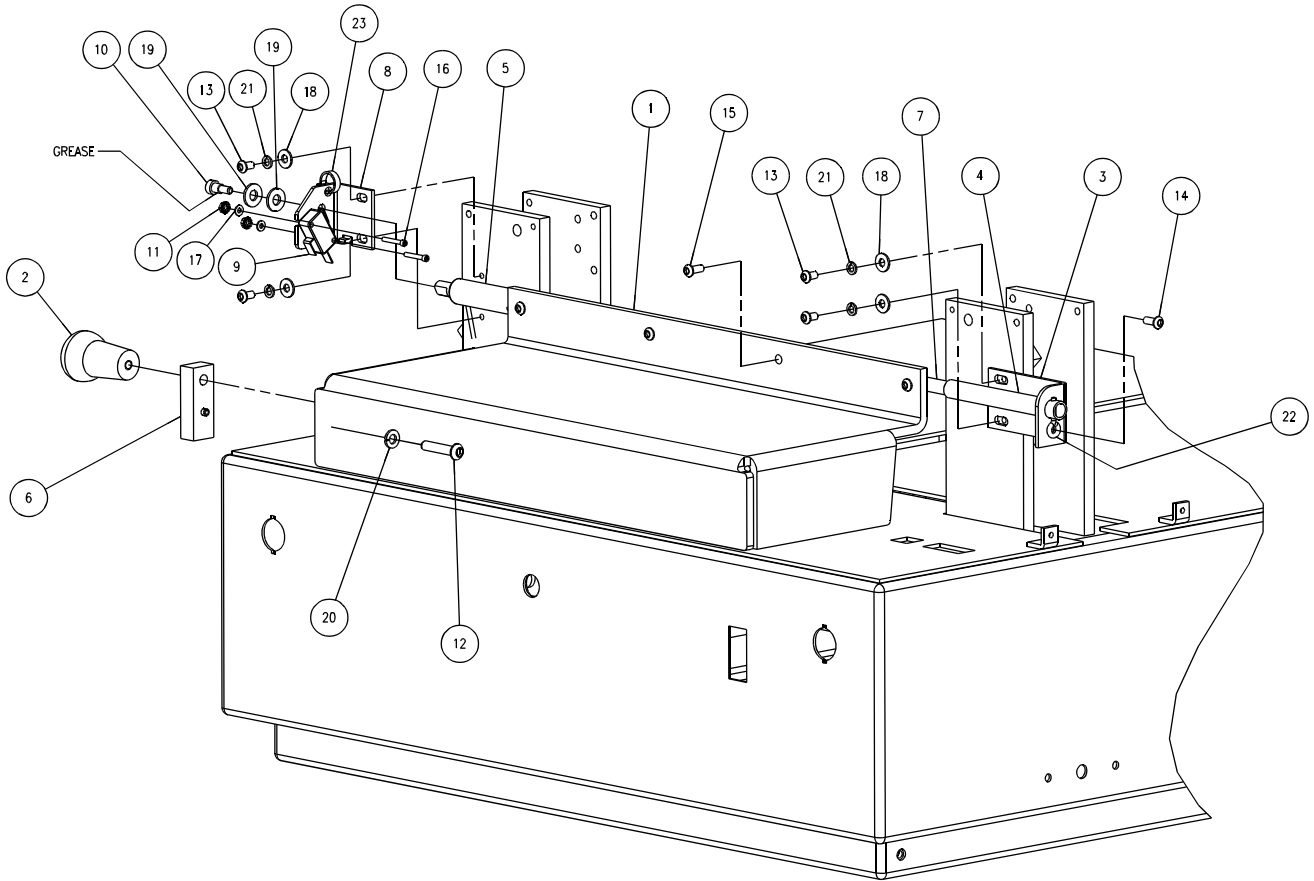
Main Assembly – Clamp Mechanism

60000-A Sheet 7, Rev. F

NO.	PART NO.	DESCRIPTION	QTY
1	60081	BEARING - YOKE TYPE CAM FOLLOWER	1
2	60085	NITROGEN GAS SPRING	1
3	60088	KNIFE BAR SHIELD	1
4	60091	LINK WELDMENT	1
5	60092	PIVOT PIN	1
6	60099	THREADED ROD	1
7	49218-2	COMPOSITE BEARING	1
8	49218-3	COMPOSITE BEARING	2
9	60078-1	CYLINDER END MOUNTING BLOCK	1
10	60080-1	MOUNTING BLOCK	2
11	60082-1	ROD END MOUNTING BLOCK	1
12	60084-1	LINK	1
13	H-6417-4	NUT - 1/4-20 HEX	3
14	H-6424-4	NUT - 1/4-20 HEX JAM	1
15	H-6909-404	SCREW - 1/4-20 X 1/2" FLAT HEAD CAP	1
16	H-6909-408	SCREW - 1/4-20 X 1" FLAT HEAD CAP	1
17	H-6910-102403SS	SCREW - #10-24 X 3/8 BUT. HEAD CAP STAINLESS	2
18	H-6918-408	SCREW - 1/4-20 X 1 SOCKET HEAD CAP	4
19	H-6938-406	SCREW - 1/4-20 X 3/8 CUP SOC SET	1
20	H-7324-N10	WASHER - #10 INT TOOTH	2
21	H-7327-8	WASHER - 1/4 MEDIUM LOCK	4
22	S-1073-50	RETAINING RING	2
23	S-1295-5	THRUST WASHER	2

4.8 Main Assembly – Front Shield

60000-A Sheet 8, Rev. C



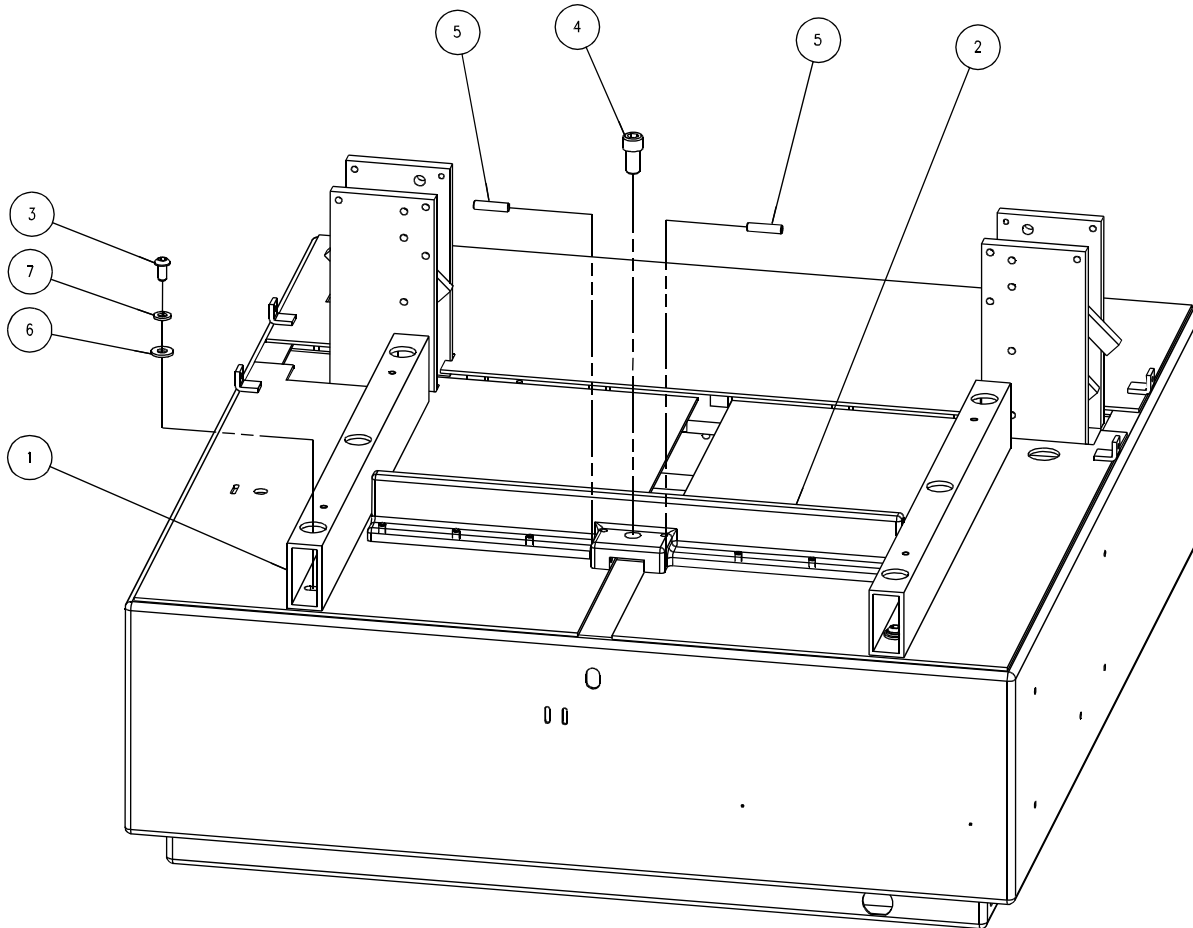
Main Assembly – Front Shield

60000-A Sheet 8, Rev. C

NO.	PART NO.	DESCRIPTION	QTY
1	60035	TILT SHIELD	1
2	60047	HANDLE - SHIELD	1
3	60048	SHIELD BRACKET	1
4	60049	DAMPENING TUBE	1
5	60051	TORSION SPRING	1
6	60052	MAGNET ASSEMBLY	1
7	60036-1	HINGE ROD	1
8	60037-1	SHIELD BRACKET	1
9	E-866-9	POSITIVE ACTION MICROSWITCH	1
10	H-5254-402	SCREW - 1/4 X 1/4 SHSS	1
11	H-6423-N4	NUT - #4-40 HEX KEP	2
12	H-6910-410	SCREW - 1/4-20 X 1-1/4 BUTTON HEAD CAP	1
13	H-6910-102403	SCREW - #10-24 X 3/8 BUTTON HEAD CAP	4
14	H-6910-102404	SCREW - #10-24 X 1/2 BUTTON HEAD CAP	1
15	H-6910-102404SS	SCREW - #10-24 X 1/2 BUT. HEAD CAP STAINLESS	4
16	H-6918-44006	SCREW - #4-40 X 3/4 SOCKET HEAD CAP	2
17	H-7321-N4	WASHER - #4 SAE PLAIN	2
18	H-7321-N10	WASHER - #10 SAE PLAIN	4
19	H-7322-4	WASHER - 1/4 POLISHED	2
20	H-7327-8	WASHER - 1/4 MEDIUM LOCK	1
21	H-7327-N10	WASHER - #10 MEDIUM LOCK	4
22	S-1244	LOCK PIN	1
23	S-1694-1	TYRAP	1
24	SU-30-106	GREASE - DAMPENING	1

4.9 Main Assembly – Backgauge

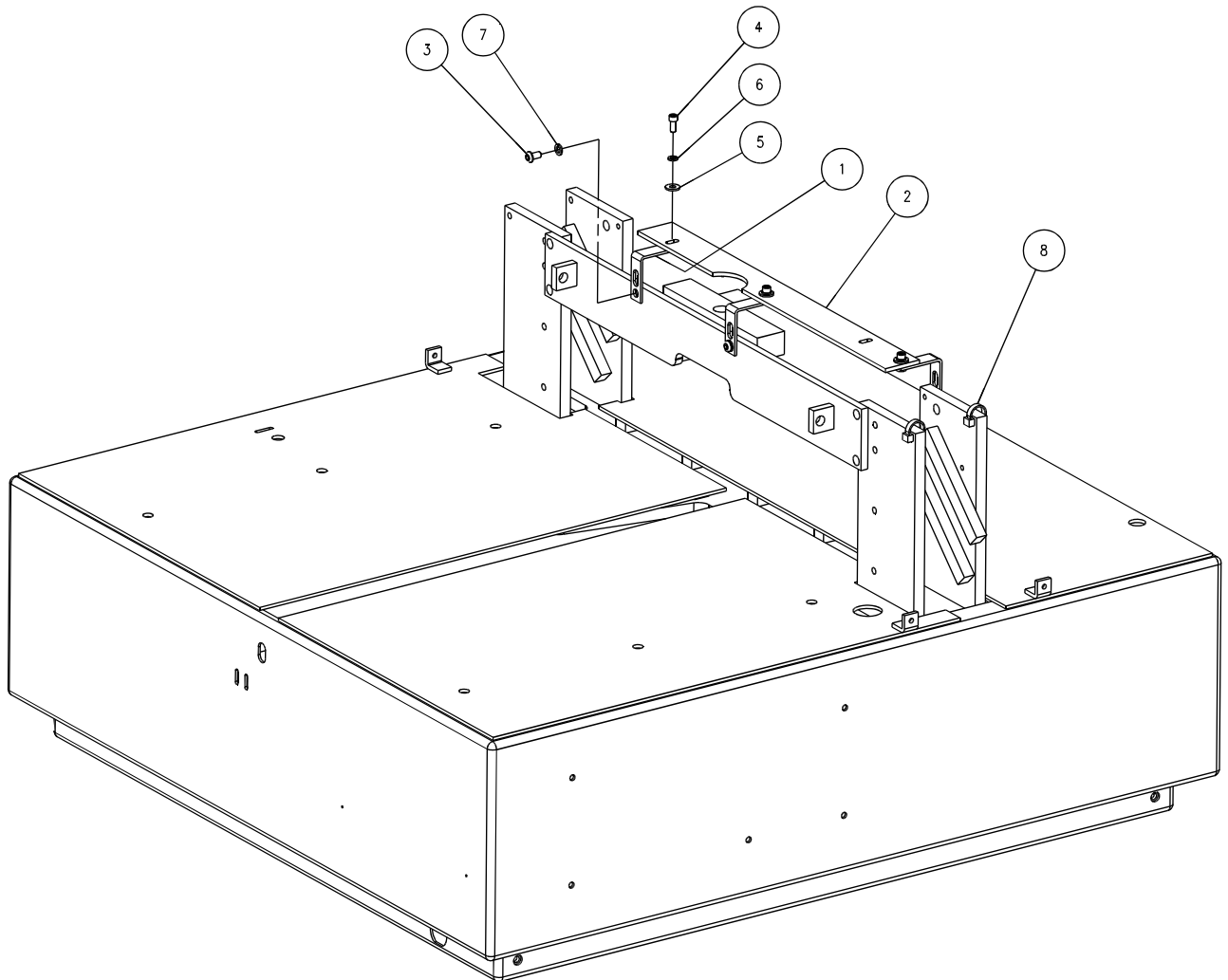
60000-A Sheet 9, Rev. C



NO.	PART NO.	DESCRIPTION	QTY
1	60044	SIDE GUIDE	2
2	60203	BACKGAUGE ASSEMBLY	1
3	H-6910-404	SCREW - 1/4-20 X 1/2 BUTTON HEAD CAP	6
4	H-6918-606	SCREW - 3/8-16 X 3/4 SOCKET HEAD CAP	1
5	H-6938-416	SCREW - 1/4-20 X 1 CUP SOC SET	2
6	H-7321-4	WASHER - 1/4 SAE PLAIN	6
7	H-7327-8	WASHER - 1/4 MEDIUM LOCK	6

4.10 Main Assembly – Top Side Electrical

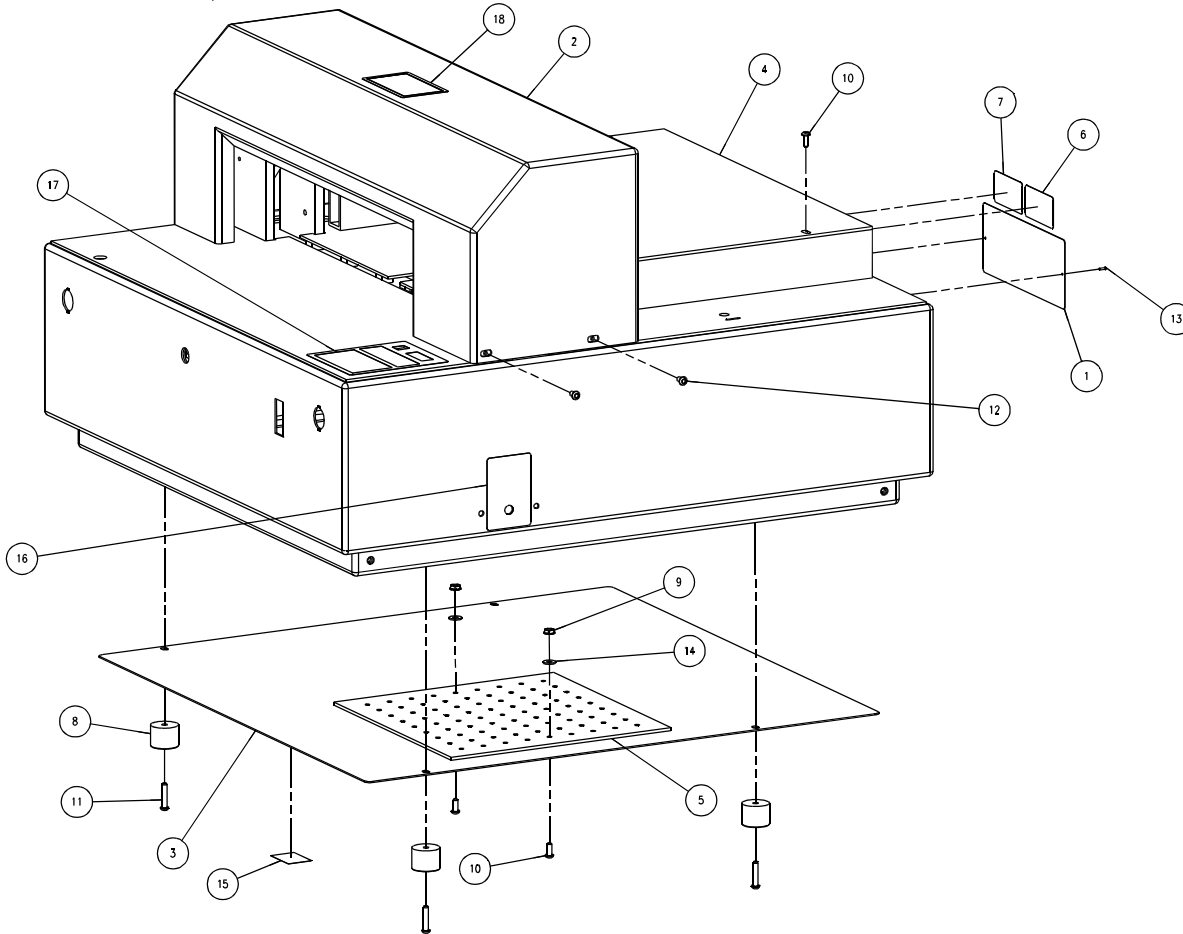
60000-A Sheet 10, Rev. C



NO.	PART NO.	DESCRIPTION	QTY
1	60040	LINE LIGHT BRACKET	3
2	EE-3081	BOARD	1
3	H-6910-102403	SCREW - #10-24 X 3/8 BUTTON HEAD CAP	3
4	H-6918-83203	SCREW - #8-32 X 3/8 SOCKET HEAD CAP	3
5	H-7321-N8	WASHER - #8 SAE PLAIN	3
6	H-7327-N8	WASHER - #8 MEDIUM LOCK	3
7	H-7327-N10	WASHER - #10 MEDIUM LOCK	3
8	S-1694-1	TYRAP	2

4.11 Main Assembly – Covers and Labels

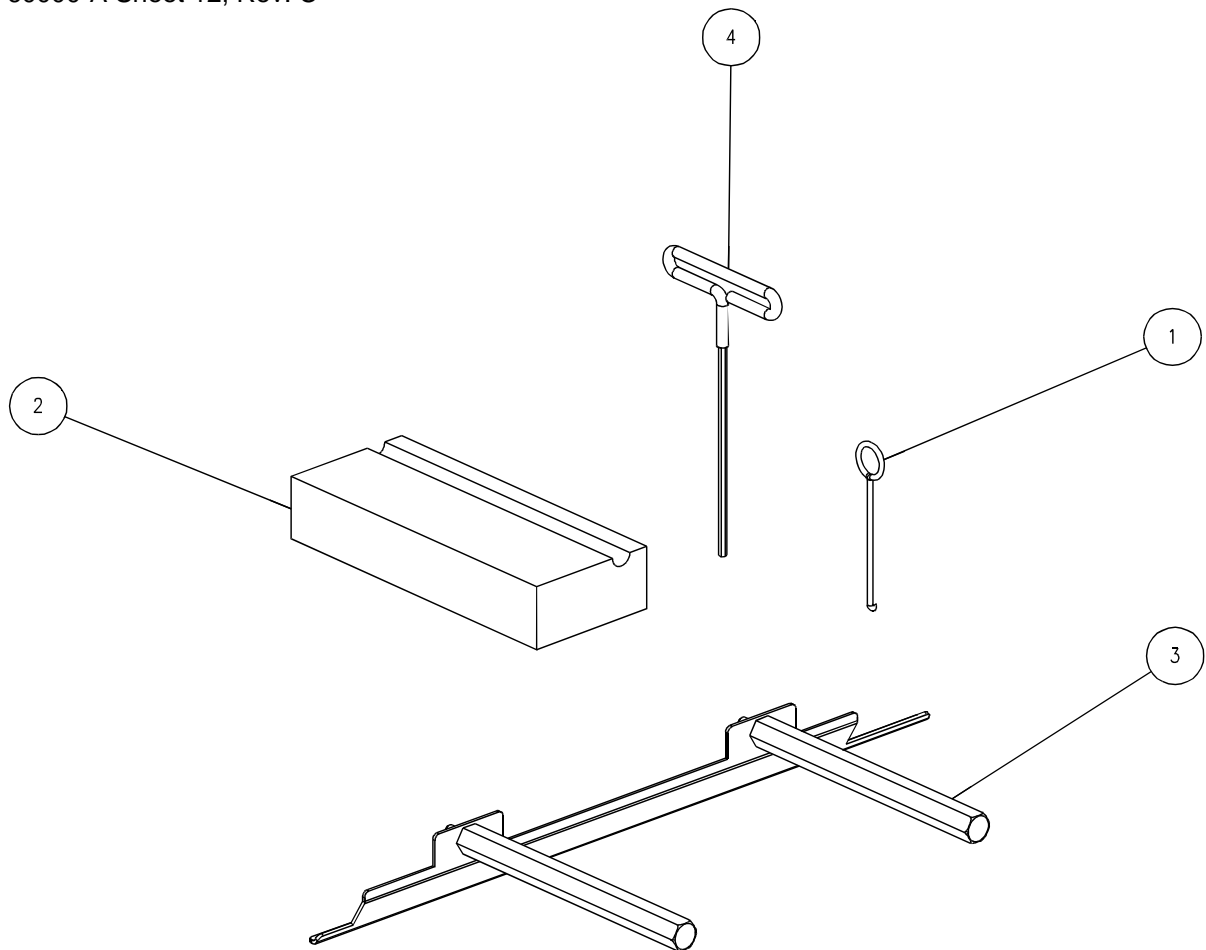
60000-A Sheet 11, Rev. C



NO.	PART NO.	DESCRIPTION	QTY
1	41130	PLATE - SERIAL NUMBER	1
2	60021	TOP COVER	1
3	60056	BOTTOM COVER	1
4	60062	REAR COVER	1
5	60073	ABSORBANT MAT	1
6	5177-3	LABEL - UL LISTING	1
7	5177-4	LABEL - UL/CSA LISTING	1
8	A-11074-1	FOOT - RUBBER	4
9	H-6423-N10	NUT - #10-24 HEX KEP	2
10	H-6910-102404	SCREW - #10-24 X 1/2 BUTTON HEAD CAP	6
11	H-6910-102408	SCREW - #10-24 X 1 BUTTON HEAD CAP	4
12	H-6910-102403SS	SCREW - #10-24 X 3/8 BUT. HEAD CAP STAINLESS	4
13	H-6924-004	SCREW - #0 X 1/4 DRIVE SCREW	2
14	H-7321-N10	WASHER - #10 SAE PLAIN	2
15	S-1781-50	LABEL - ELECTRIC SHOCK	1
16	S-1781-125	LABEL - KNIFE ADJUST	1
17	S-1781-126	LABEL - DIGITAL DISPLAY	1
18	S-1781-153	LABEL - TOP COVER	1

4.12 Main Assembly – Accessories

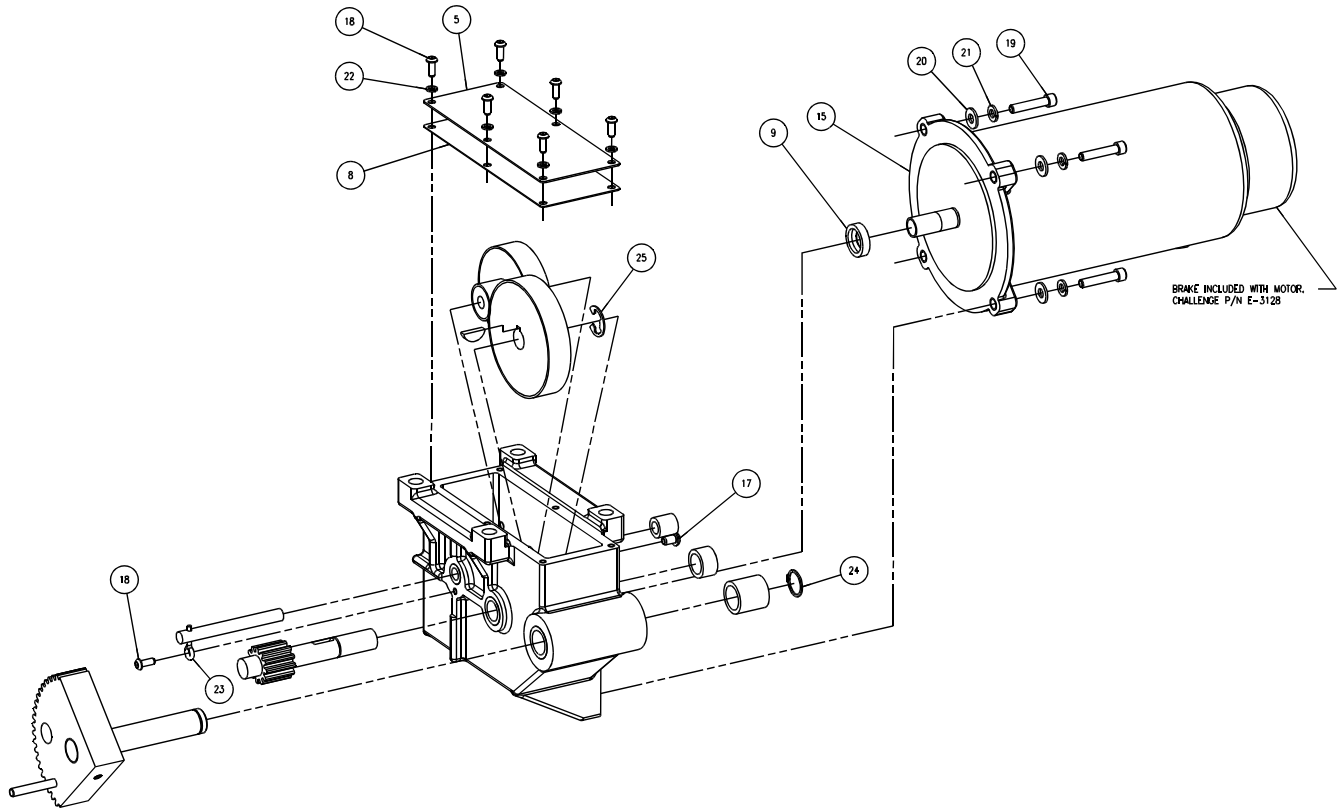
60000-A Sheet 12, Rev. C



NO.	PART NO.	DESCRIPTION	QTY
1	5064	CUT STICK PULLER	1
2	60058	JOGGING AID	1
3	60061	KNIFE LIFTER ASM	1
4	W-189	WRENCH - 5/32" T-HANDLE HEX ALLEN	1

4.13 Motor and Gearbox Assembly

60005, Rev. D

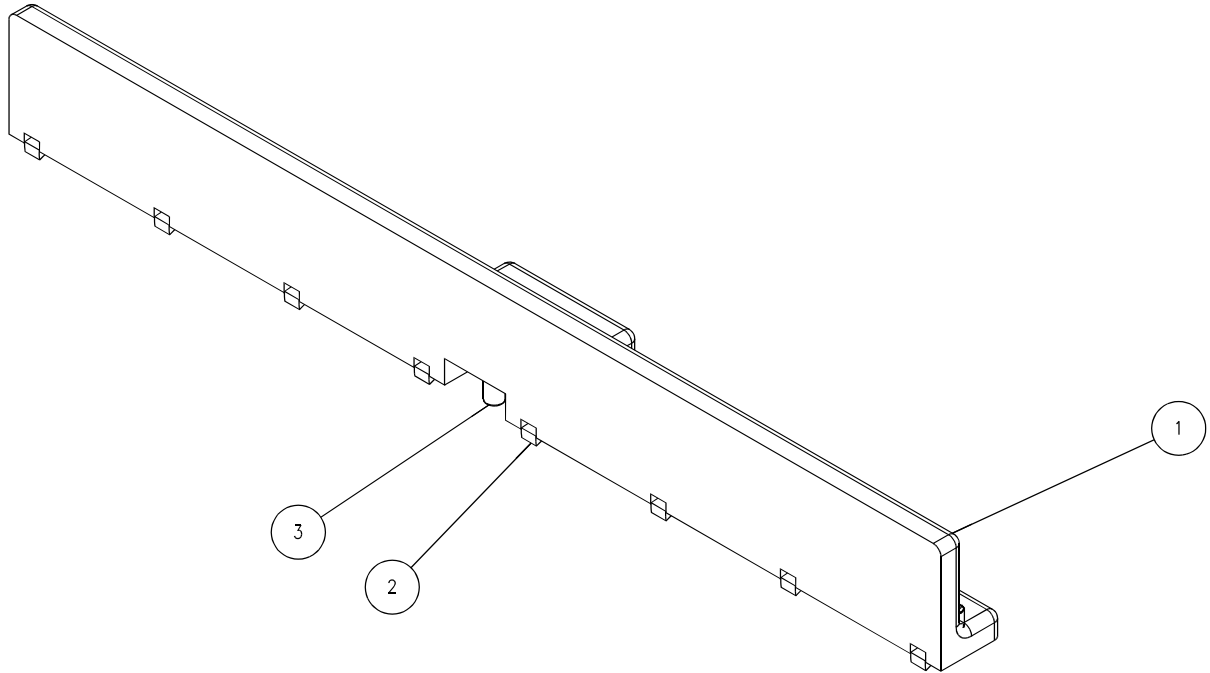


NO.	PART NO.	DESCRIPTION	QTY
5	60029	CAP - GEARBOX	1
8	60034	GASKET - GEARBOX	1
9	60067	OIL SEAL	1
15	E-1600-197	MOTOR W/ BRAKE - BALDOR	1
17	H-6910-403	SCREW - 1/4-20 X 3/8 BUTTON HEAD CAP	1
18	H-6910-102404	SCREW - #10-24 X 1/2 BUTTON HEAD CAP	7
19	H-6918-410	SCREW - 1/4-20 X 1-1/4 SOCKET HEAD CAP	4
20	H-7321-4	WASHER - 1/4 SAE PLAIN	4
21	H-7327-8	WASHER - 1/4 MEDIUM LOCK	4
22	H-7327-N10	WASHER - #10 MEDIUM LOCK	6
23	S-1244	LOCK PIN	1
24	S-1073-75	RETAINING RING	1
25	S-1193-62	E-RING - 5/8"	1
26	SU-30-105	GREASE - GEARBOX	1

Note: Parts not included in the above list are not available for individual purchase.

4.14 Backgauge Assembly

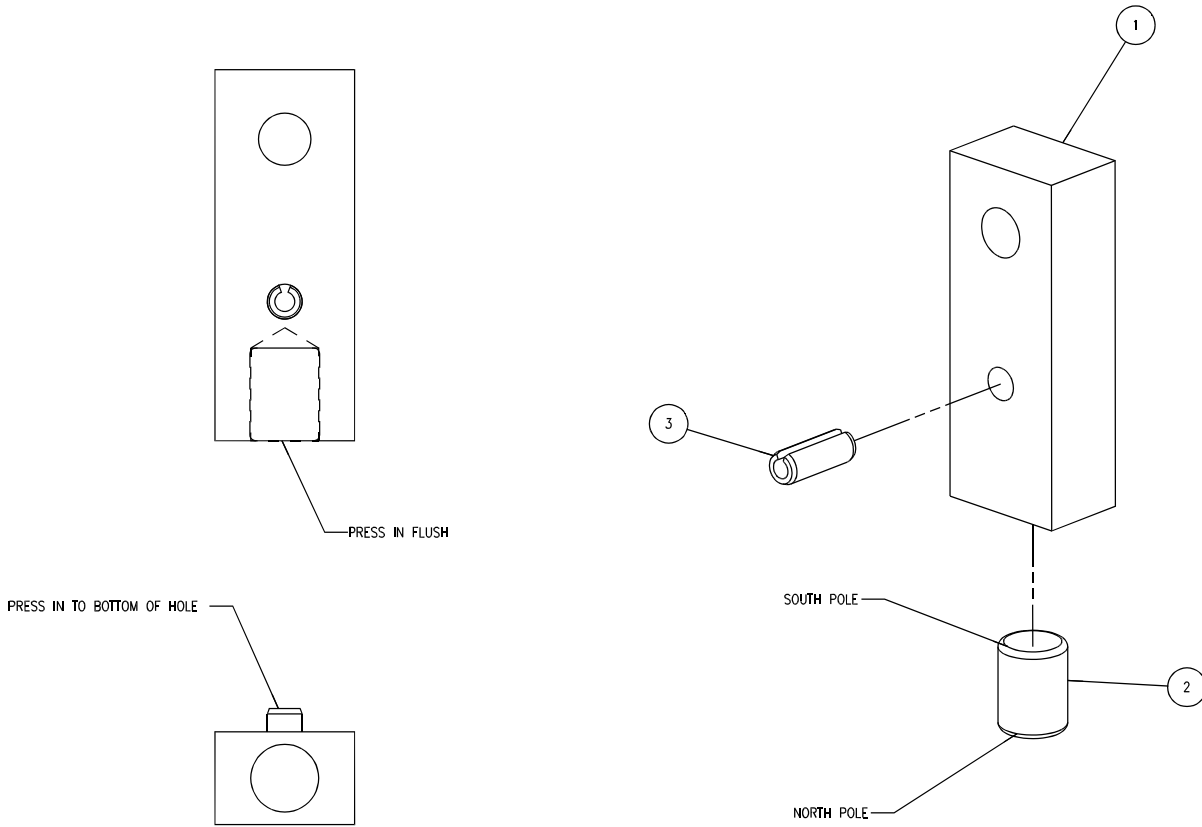
60203



NO.	PART NO.	DESCRIPTION	QTY
1	60201	BACKGUAGE- MACHINED	1
2	60204	FLOATING FINGER	8
3	H-5246-406	DOWEL PIN - 1/4 X 3/4 HD GD	1

4.15 Magnet Assembly

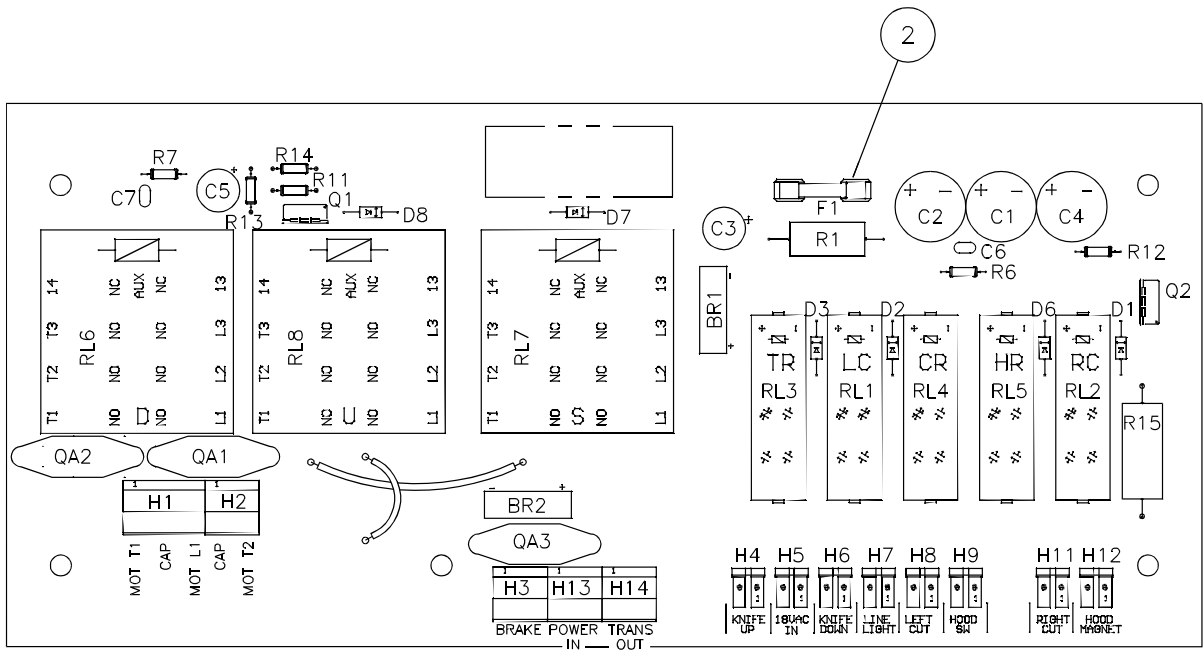
60052



NO.	PART NO.	DESCRIPTION	QTY
1	60046	BLOCK - HOOD HANDLE	1
2	60053	MAGNET - RARE EARTH	1
3	H-21S-187-0500	ROLL PIN - 3/16 X 1/2	1

4.16 Electrical Power Panel Assembly

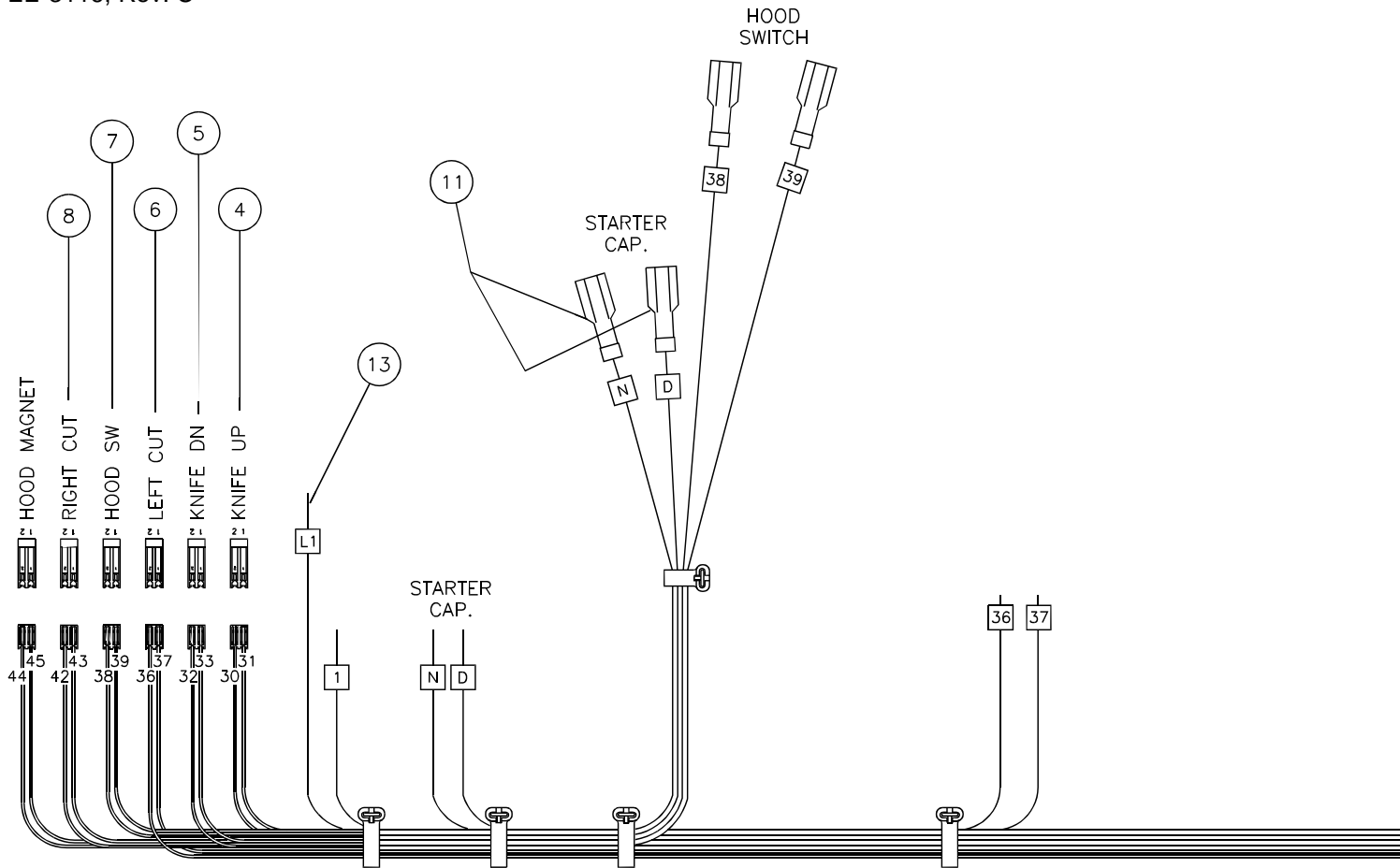
EE-3061, Rev. F



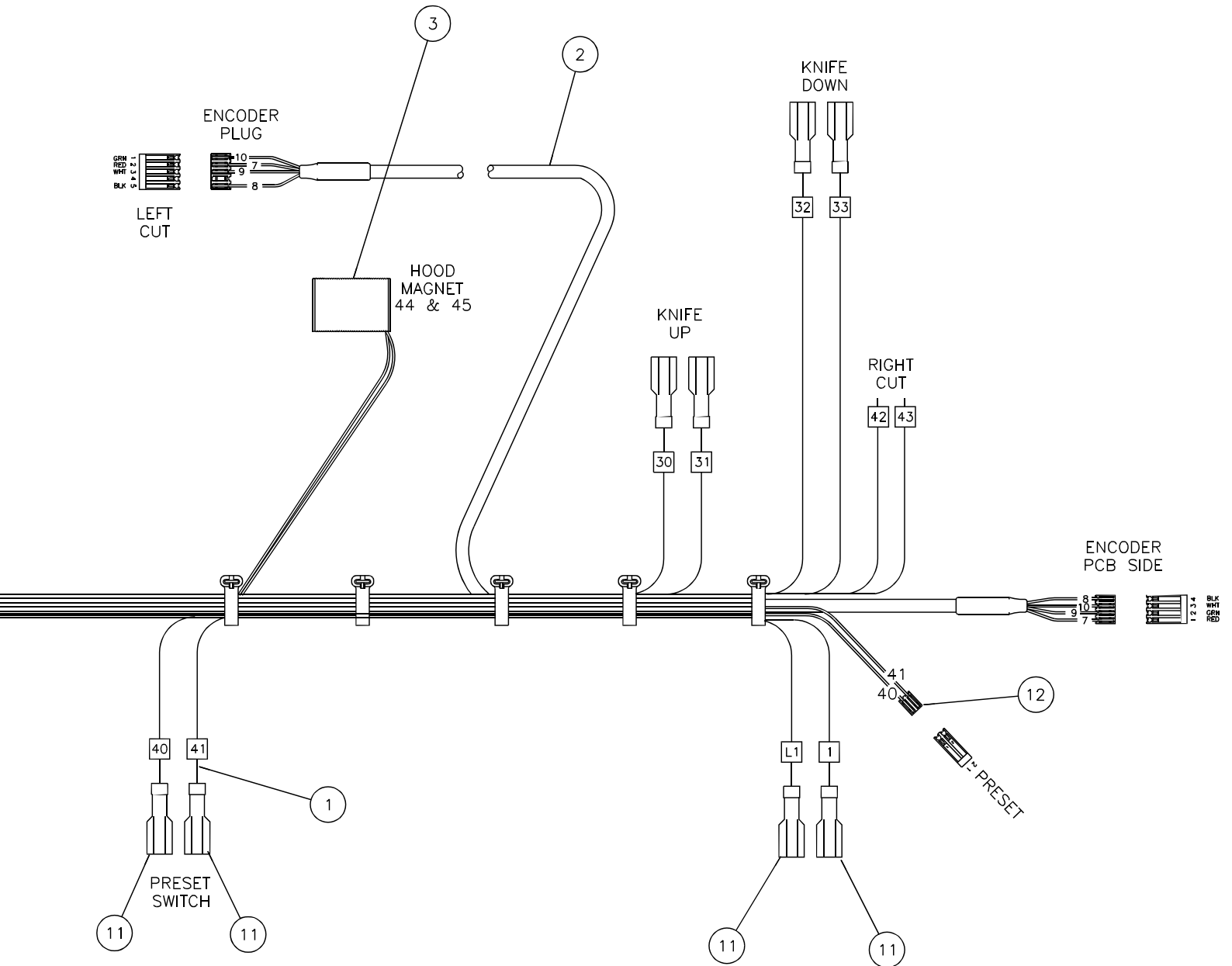
NO.	PART NO.	DESCRIPTION OF ACCESSORIES	QTY
1	E-2330	FUSE - 1A SB GLASS, METRIC	1

4.17 Wire Harness Assembly

EE-3116, Rev. C

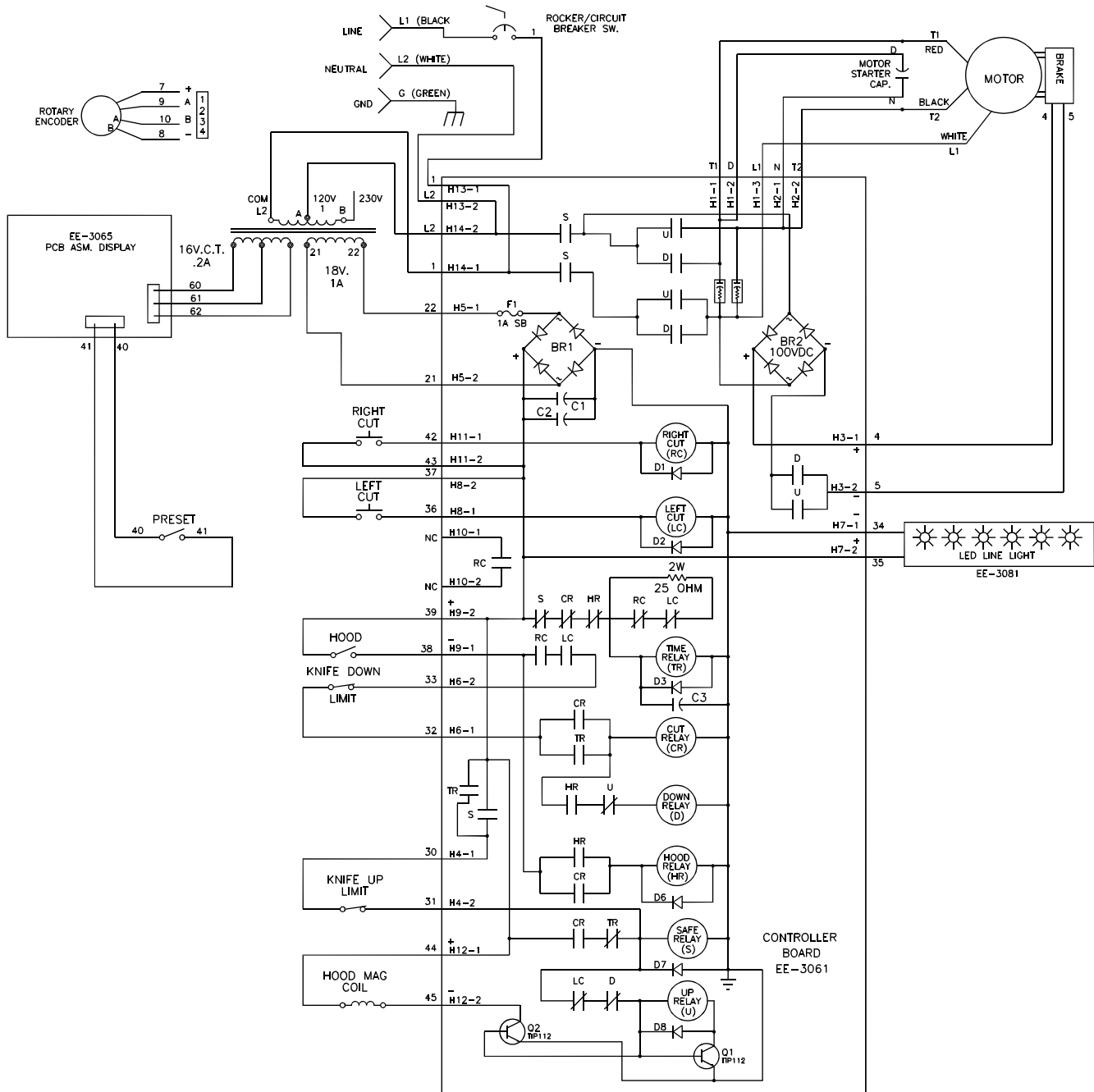


NO.	PART NO.	DESCRIPTION OF ACCESSORIES	QTY
1	E-1163-10	WIRE, #20 GA. HOOK-UP BLACK 46" TOTAL	1
2	EE-2899	CABLE ASM. - ENCODER	1
3	EE-3111	COIL ASSEMBLY - HOOD MAGNET	1
4	EE-3113	WIRE ASSEMBLY - KNIFE UP LIMIT	1
5	EE-3113-1	WIRE ASSEMBLY - KNIFE DN LIMIT	1
6	EE-3113-2	WIRE ASSEMBLY - LEFT CUT	1
7	EE-3113-3	WIRE ASSEMBLY - HOOD SWITCH	1
8	EE-3113-4	WIRE ASSEMBLY - RIGHT CUT	1
9			
10			
11	E-1214-65	CONNECTOR - 1/4" FULLY INS. QUICK DISC.	6
12	E-2322	PLUG - 2 POS. THRU, .100 CENTER (PANDUIT)	1
13	E-709-R	WIRE, #18 GA. MTW RED 140" TOTAL	1



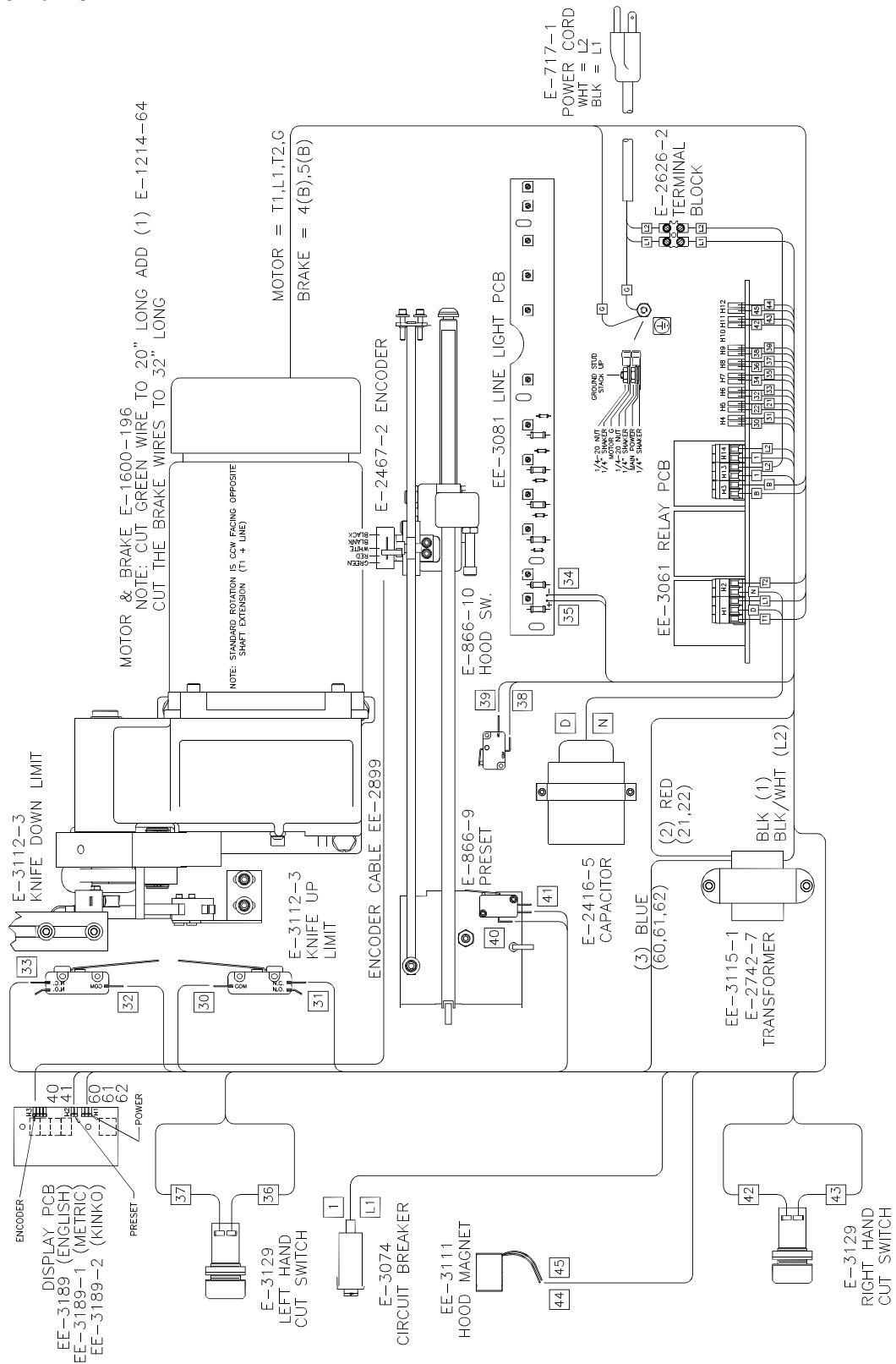
4.18 Electrical Schematic

E-3062



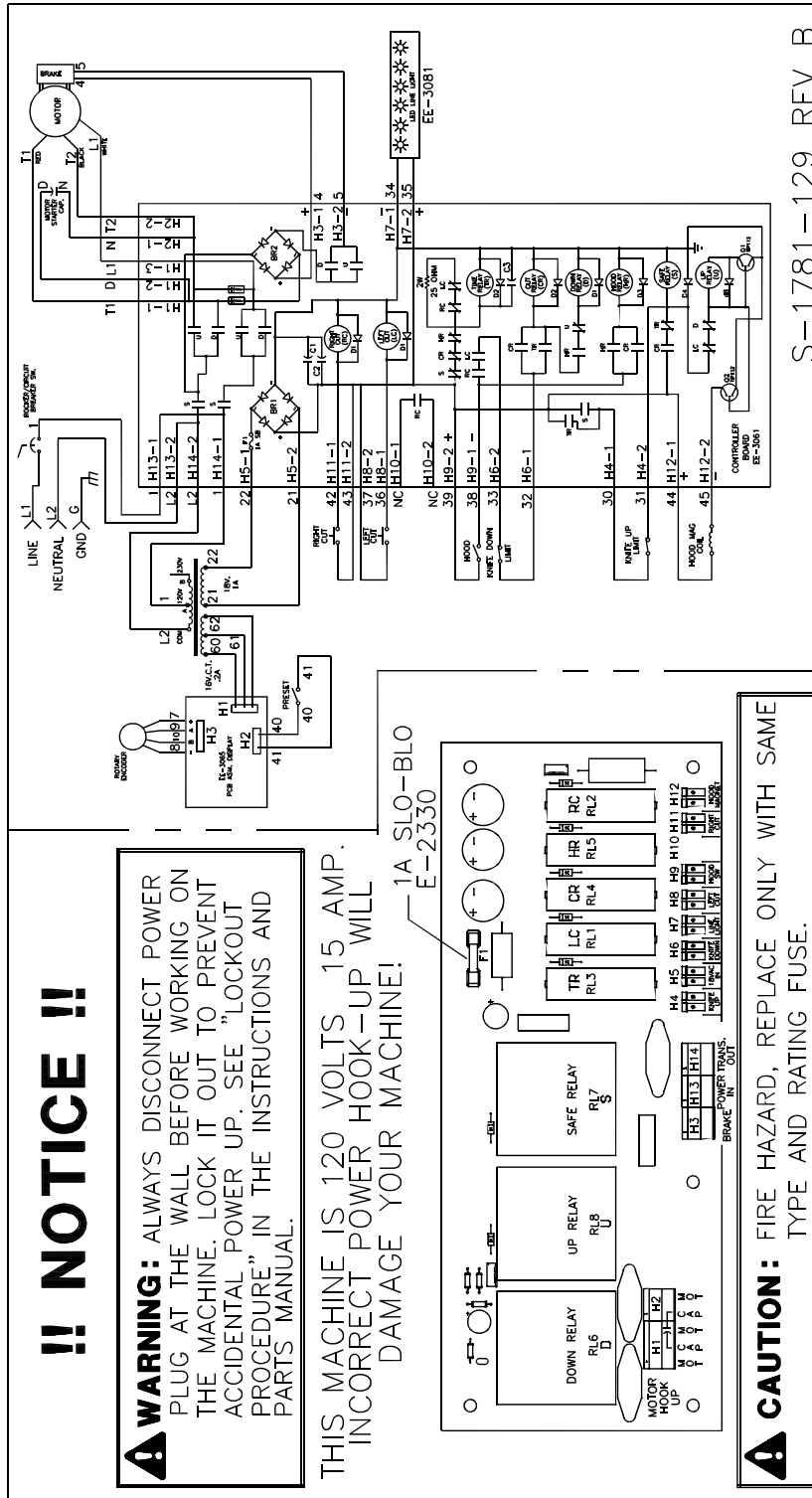
4.19 Electrical Interconnection Diagram

E-3125 Rev. CB



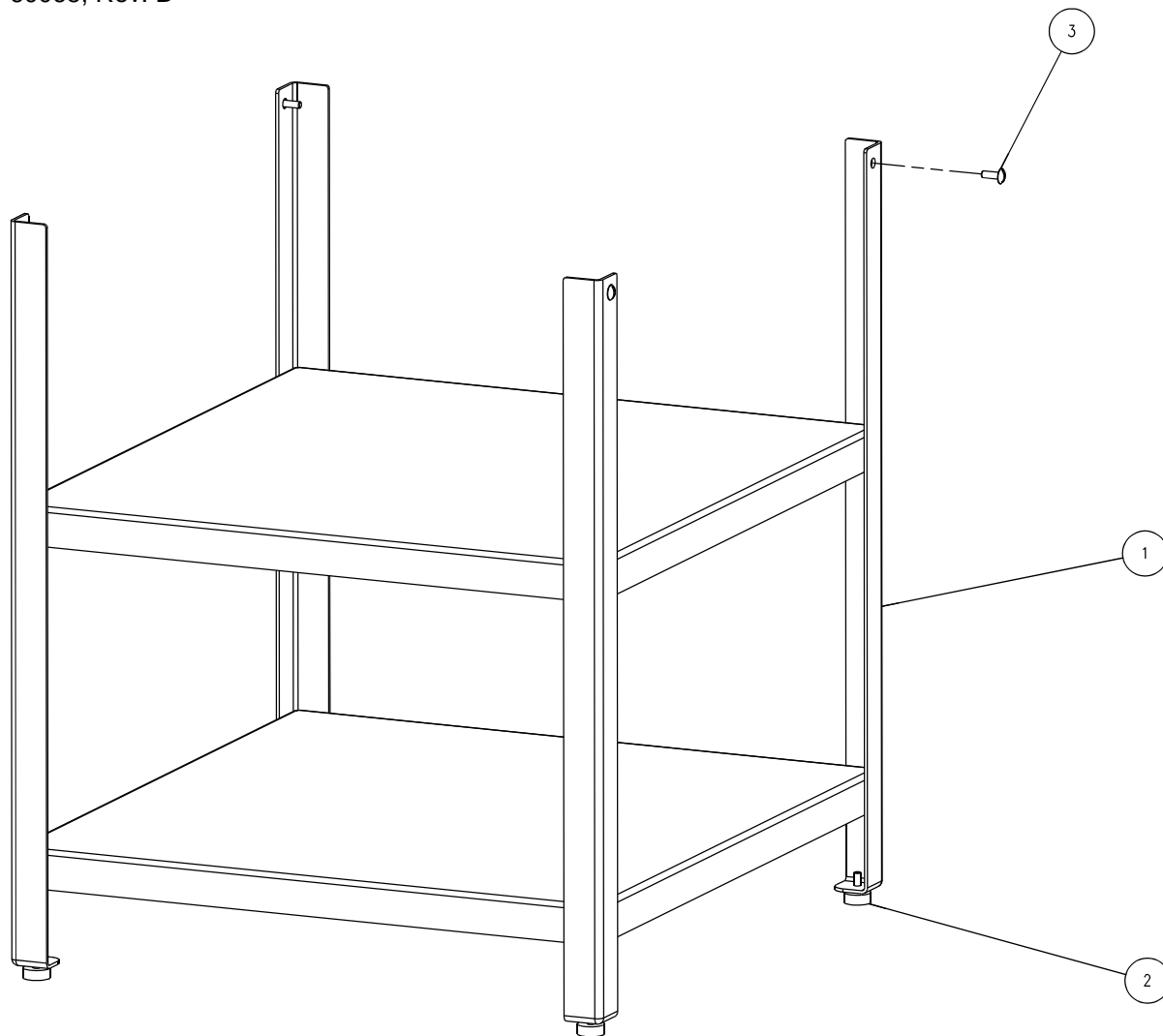
4.20 Label – Fuse Replacement

S-1781-129, Rev. B



4.21 Optional Floor Stand Assembly

60065, Rev. B



NO.	PART NO.	DESCRIPTION	QTY
1	60069	STAND WELDMENT	1
2	40016-6	MOUNT - VIBRATION	4
3	H-6925-412	SCREW - 1/4-20 X 3/4 TRUSS HD MACH	4