



PARTS LIST FOR
AIR COMPRESSOR
AES-20315-120HM
AES-23315-120HM
AES-46315-120HM
(AFTER SERIAL #20107354)

MAXIMUM PRESSURE:	175 PSI
COMPRESSOR OIL GRADE:	SAE30W NON-DETERGENT
COMPRESSOR OIL CAPACITY:	48 oz.

This Parts Listing has been compiled for your benefit. You can be assured your Mi-T-M Gasoline Air Compressor was constructed and designed with quality and performance in mind. Each component has been rigorously tested to insure the highest level of acceptance.

The contents of this Parts Listing are based on the latest product information available at the time of publication. Mi-T-M reserves the right to make changes in price, color, materials, equipment, specifications or models at any time without notice.

WARNING

THIS IS A PROFESSIONAL ELECTRIC AIR COMPRESSOR. CAUTION SHOULD BE OBSERVED WHEN USING OR REPAIRING THIS UNIT! READ AND FOLLOW THE SAFETY WARNINGS LISTED BELOW BEFORE ATTEMPTING ANY REPAIRS ON THIS AIR COMPRESSOR!

SAFETY WARNINGS

1. NEVER alter or modify the equipment. Be sure any accessory items and system components being used will withstand the pressure developed. Use only genuine Mi-T-M parts for repair of your air compressor. Failure to do so can cause hazardous operating conditions and will VOID warranty.
2. Know how to stop and bleed pressures quickly. Be thoroughly familiar with controls.
3. Before servicing the unit, turn unit off, relieve the pressure and allow the unit to cool down. Do not make repairs while the unit is running. Service in a clean, dry, flat area. Block the wheels to prevent the unit from moving. Be especially careful to properly dispose of any flammable materials.
4. After testing the machine, DO NOT leave the pressurized unit unattended. Shut off the unit and release trapped pressure before leaving.

Table of Contents

NOTES	4
SPECIFICATIONS	5
FLOW CHART	6
GENERAL THEORY OF OPERATION	7
AES 120 GAL HORIZONTAL M SERIES	8
COMPRESSOR PUMP (3-0314)	10
AFTERCOOLER (IX-0004)	12
TANK DRAIN OPTION (IX-0032)	13
ELECTRIC TANK DRAIN (IX-0006)	14
LOW OIL SHUTDOWN (IX-0036)	15
DUAL CONTROL OPTION (IX-0012)	16
STARTER INDUSTRIAL COMPRESSOR (IX-0013 THRU IX-0027)	18
DUAL CONTROL OPTION (IX-0031)	20
WIRING SCHEMATIC (230V SINGLE PHASE) M SERIES (AFTER SERIAL #20107354)	22
WIRING DIAGRAM (230V SINGLE PHASE) M SERIES (AFTER SERIAL #20107354)	23
WIRING SCHEMATIC DUAL CONTROL AND STARTER (230V SINGLE PHASE) (AFTER SERIAL #20107354)	24

WIRING DIAGRAM DUAL CONTROL AND STARTER (230V SINGLE PHASE) (AFTER SERIAL #20107354).....	25
WIRING SCHEMATIC LOW OIL SHUTDOWN AND STARTER (230V SINGLE PHASE)	26
WIRING DIAGRAM LOW OIL SHUTDOWN AND STARTER (230V SINGLE PHASE)	27
WIRING SCHEMATIC STARTER (230V SINGLE PHASE).....	28
WIRING DIAGRAM STARTER (230V SINGLE PHASE).....	29
WIRING SCHEMATIC (200-230V THREE PHASE) M SERIES (AFTER SERIAL #20107354).....	30
WIRING DIAGRAM (200-230V THREE PHASE) M SERIES (AFTER SERIAL #20107354).....	31
WIRING SCHEMATIC DUAL CONTROL AND STARTER (200-230V THREE PHASE) (AFTER SERIAL #20107354).....	32
WIRING DIAGRAM DUAL CONTROL AND STARTER (200-230V SINGLE PHASE) (AFTER SERIAL #20107354).....	33
WIRING SCHEMATIC LOW OIL SHUTDOWN AND STARTER (200-230V THREE PHASE)	34
WIRING DIAGRAM LOW OIL SHUTDOWN AND STARTER (200-230V THREE PHASE)	35
WIRING SCHEMATIC STARTER (200-230V THREE PHASE).....	36
WIRING DIAGRAM STARTER (200-230V THREE PHASE).....	37
WIRING SCHEMATIC (460V THREE PHASE) M SERIES (AFTER SERIAL #20107354)	38
WIRING DIAGRAM (460V THREE PHASE) M SERIES (AFTER SERIAL #20107354).....	39
WIRING SCHEMATIC DUAL CONTROL AND STARTER (460V THREE PHASE) (AFTER SERIAL #20107354).....	40
WIRING DIAGRAM DUAL CONTROL AND STARTER (460V THREE PHASE) (AFTER SERIAL #20107354).....	41
WIRING SCHEMATIC LOW OIL SHUTDOWN AND STARTER (460V THREE PHASE).....	42
WIRING DIAGRAM LOW OIL SHUTDOWN AND STARTER (460V THREE PHASE).....	43
WIRING SCHEMATIC STARTER (460V THREE PHASE)	44
WIRING DIAGRAM STARTER (460V THREE PHASE).....	45

NOTES

SERIAL NUMBER BREAK

DATE

REASON

#20107354

10/05/2009

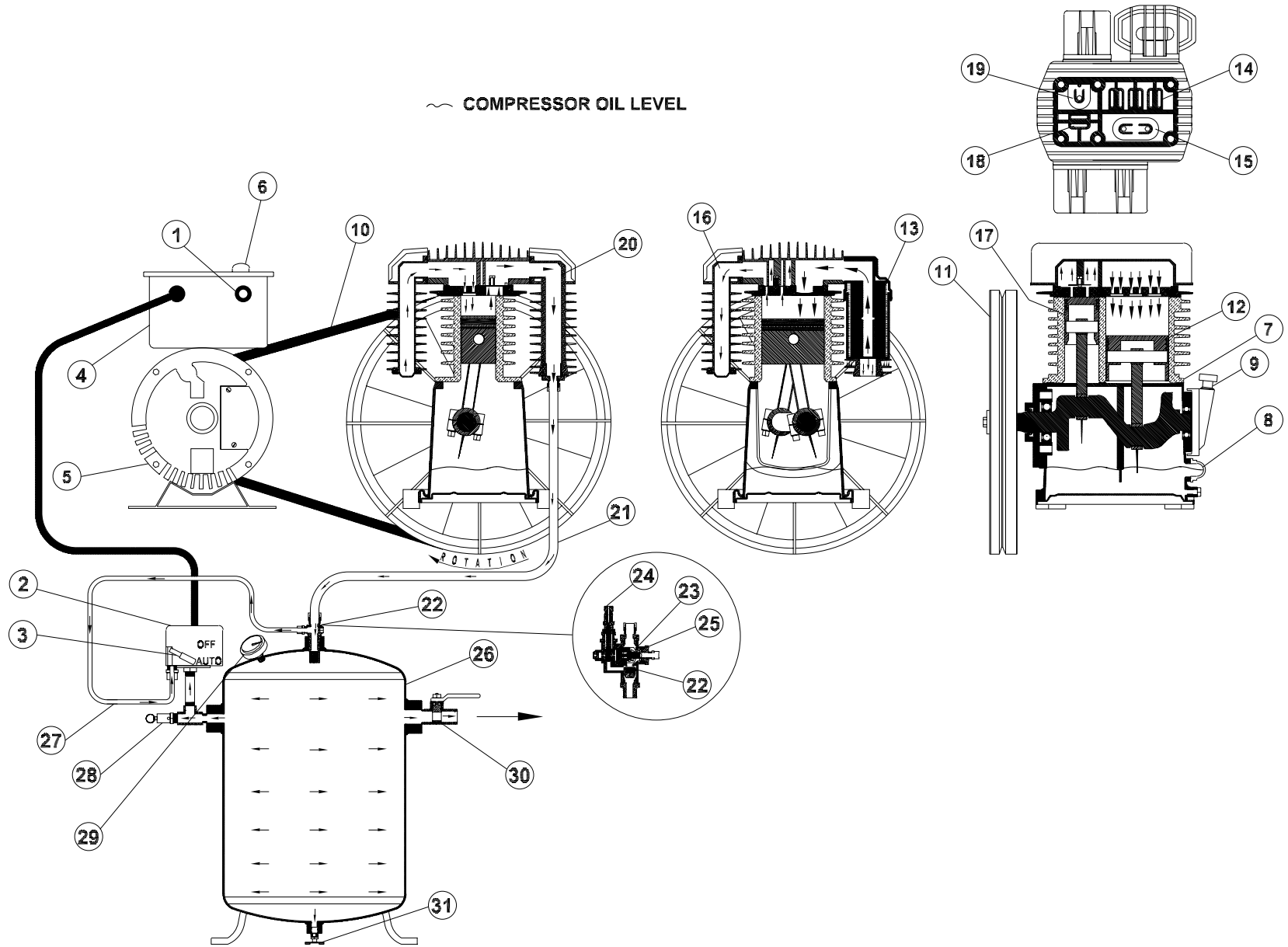
WIRING CHANGE DUE TO SWITCH

SPECIFICATIONS

MODEL NUMBER	AES-20315-120HM	AES-23315-120HM	AES-46310-120HM
MOTOR:			
Horsepower	15HP	15HP	15HP
Voltage	200V	230V	460V
Amperage	44.0A	38.0A	19.0A
HZ	60	60	60
Phase	3	3	3
RPM	1750	1750	1750
Compressor Pump:			
Number of Cylinders	2		
Compression Stages	2		
First Stage Bore	3.93		
Second Stage Bore	4.72		
Stroke	3.15		
RPM	1050		
Flywheel	16.5"		
Lubrication	Splash		
Oil Capacity	160 oz.		
Oil Type	30 W Non Detergent		
Crankcase	Cast Iron		
Bearings	Ball		
Cylinder	Cast Iron		
Valves	Reed		
Head	Cast Iron		
Filter	Canister		
AIR TANK:			
Capacity	120 gallons		
PERFORMANCE:			
CFM Air Displacement	63.8		
CFM @ 40 PSI	49.4		
CFM @ 100 PSI	48.0		
CFM @ 175 PSI	46.5		
Maximum Pressure	175 PSI		
Pump-up Time: 0-175 PSI	4 minutes and 1 seconds		
Recovery Time: 145-175 PSI	43 seconds		
WEIGHT:			
Net	875 lbs		
Shipping	935 lbs		
DIMENSIONS:			
Basic L x W x H	74" x 26.5" x 58"		
Shipping L x W x H	80.5" x 37.5" x 58"		

FLOW CHART

~ COMPRESSOR OIL LEVEL

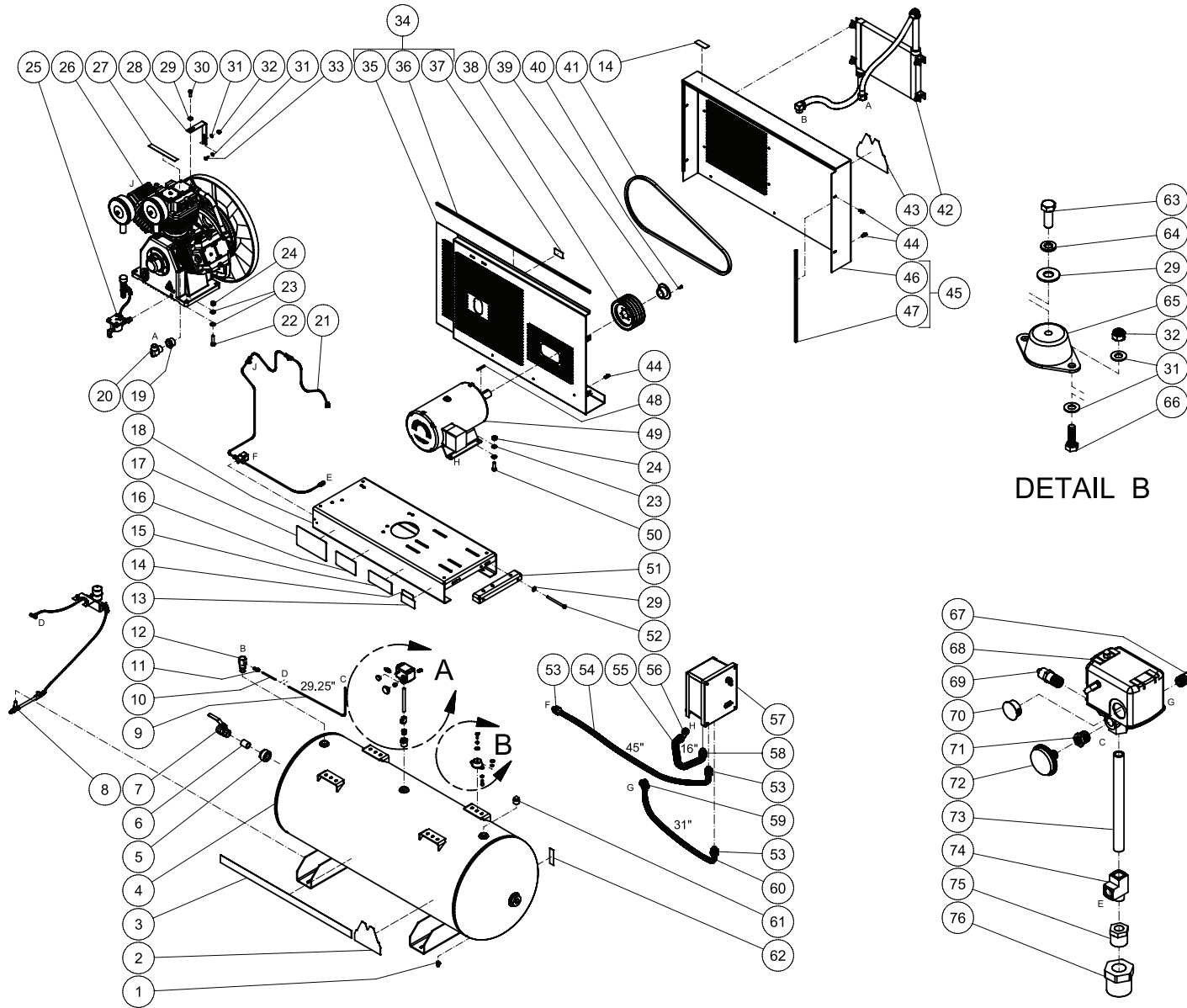


OMAC0061A-051399-RD

GENERAL THEORY OF OPERATION

1. The POWER SUPPLY (1) sends the electrical supply to the PRESSURE SWITCH (2). When the PRESSURE SWITCH LEVER (3) is in the "AUTO" position, power is supplied to the CONTACTOR (4) which starts the ELECTRIC MOTOR (5) which is protected from electrical overloads by the MANUAL RESET BUTTON (6).
2. The COMPRESSOR PUMP (7) is lubricated by oil. The oil level should be checked before each use by viewing the COMPRESSOR PUMP OIL SIGHTGLASS (8). If the oil level is low, add SAE-30W non-detergent oil to the COMPRESSOR PUMP OIL FILL PORT (9).
3. When the unit is operating, the V-BELT (10) turns the COMPRESSOR PUMP FLYWHEEL (11) which rotates the crankshaft and moves the pistons.
4. As the FIRST STAGE PISTON (12) moves down, air is drawn in through the INLET AIR FILTER (13). Then through the FIRST STAGE INLET REED VALVE (14) and into the first stage piston chamber. At the same time, the FIRST STAGE OUTLET REED VALVE (15) is closed. This allows air to fill the first stage piston chamber.
5. As the FIRST STAGE PISTON (12) moves upward, the FIRST STAGE INLET REED VALVE (14) closes. The FIRST STAGE OUTLET REED VALVE (15) opens allowing the compressed air to flow into the INTERCOOLER (16) and into the second stage.
6. As the SECOND STAGE PISTON (17) moves down, the first stage compressed air is drawn in through the SECOND STAGE INLET REED VALVES (18) and into the second stage piston chamber. At the same time, the SECOND STAGE OUTLET REED VALVES (19) is closed.
7. As the SECOND STAGE PISTON (17) moves upward, the SECOND STAGE INLET REED VALVES (18) closes. The SECOND STAGE OUTLET REED VALVES (19) opens allowing the compressed air to flow into the AFTERCooler (20) and DISCHARGE LINE (21).
- 8a. STANDARD START/STOP FEATURE:
 1. The compressed air opens the CHECK VALVE (22) and moves into the AIR TANK (26). When the pressure in the AIR TANK (26) reaches the maximum pressure setting of the PRESSURE SWITCH (2), the ELECTRIC MOTOR (5) stops and the CHECK VALVE (22) will close.
 2. The pressurized air remaining in the PUMP DISCHARGE LINE (21) exits through the PRESSURE SWITCH BLEND-OFF LINE (27) so the ELECTRIC MOTOR (5) can restart under a no-load condition.
- 8b. OPTIONAL DUAL CONTROL FEATURE:
 1. This feature consists of a PILOT CONTROL VALVE (23) which has an ADJUSTING KNOB (24) with two positions.
 - a. Start/Stop Position: Turn the ADJUSTING KNOB (24) completely clockwise to the closed position. Air compressor will operate as described in the Start/Stop Feature as explained above.
 - b. Constant Run Position: Turn the ADJUSTING KNOB (24) completely counterclockwise to the open position. The compressed air opens the CHECK VALVE (22) and moves into the AIR TANK (26). When the pressure in the AIR TANK (26) reaches the maximum pressure setting of the PILOT CONTROL VALVE (23), the excess air exits the PILOT VALVE MUFFLER (25) and the CHECK VALVE (22) will close. Since the relief setting on the PILOT CONTROL VALVE (23) is lower than the maximum pressure setting on the PRESSURE SWITCH (2) the ELECTRIC MOTOR (5) will continue running. This feature is very useful under low voltage conditions, when motor starting can trip the circuit breaker (fuse).
9. The SAFETY RELIEF VALVE (28) protects the system from any overpressure conditions.
10. The TANK PRESSURE GAUGE (29) indicates tank pressure. The air exits through the OUTLET FITTING (30).
11. The PRESSURE SWITCH LEVER (3) stops the ELECTRIC MOTOR (5) when moved to the "OFF" position.
12. When the PRESSURE SWITCH LEVER (3) is in the "OFF" position, compressed air should be released from the AIR TANK (26) by opening the attached air tool or by pulling on the SAFETY RELIEF VALVE (28). When the TANK PRESSURE GAUGE (29) registers less than 10 PSI, drain the condensation from the AIR TANK (26) by opening the TANK DRAIN (31).

AES 120 GAL HORIZONTAL M SERIES



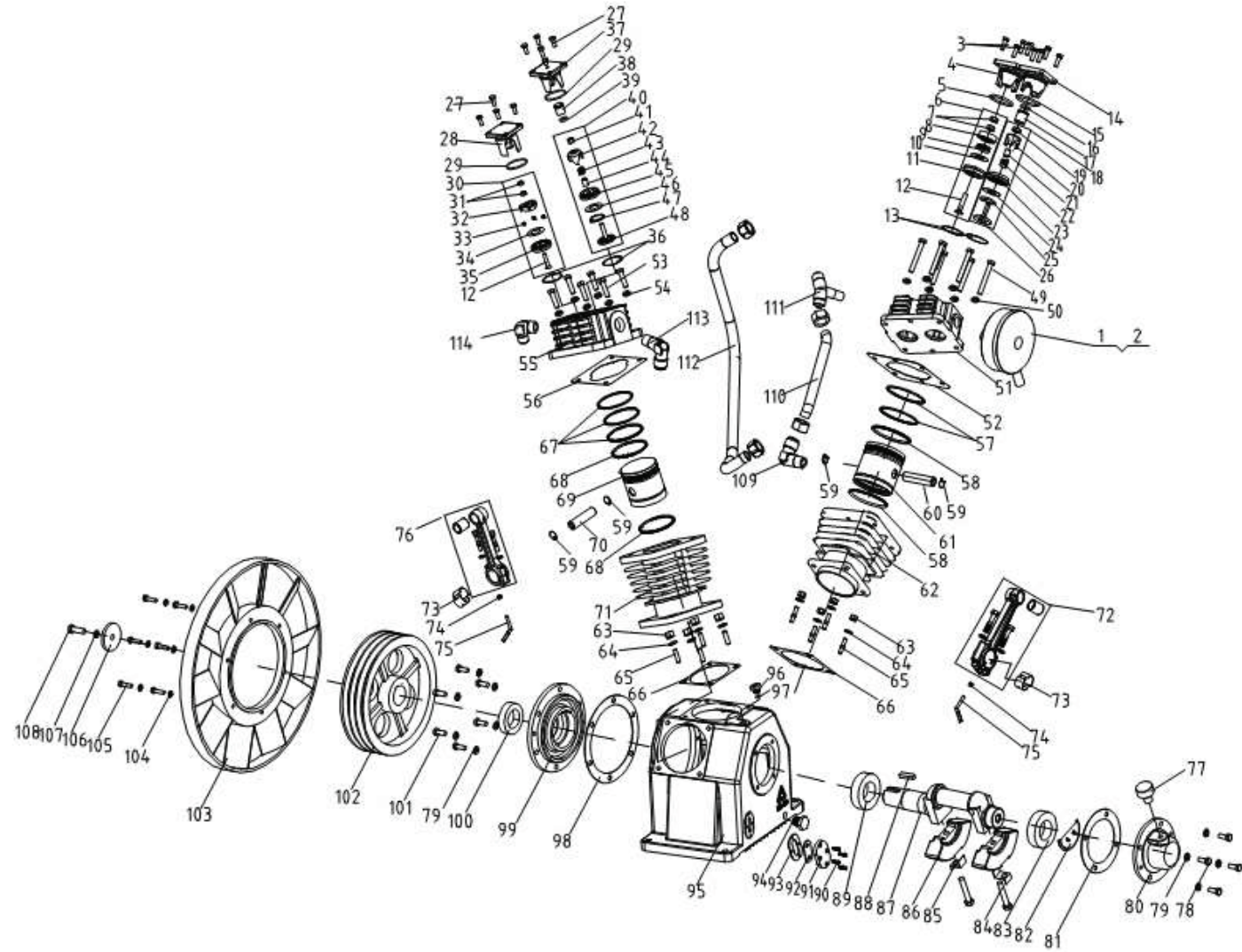
DETAIL B

DETAIL A

AES 120 HORIZONTAL M SERIES 063010 P.J.H

AES 120 GALLON							
ITEM	DESCRIPTION	PART #	QTY	ITEM	DESCRIPTION	PART #	QTY
1	PETCOCK	23-0312	1	41	BELT	11-0080	4
2	DECAL - Mi-T-M	34-2170	1	42	AFTERCOOLER OPTION	IX-0004	1
3	DECAL Mi-T-M STRIPE	34-2282	1	43	DECAL - #5M	34-2171	1
4	TANK ASSEMBLY	12-0201A01	1	44	BOLT	27-9524	10
5	REDUCER	24-0233	1	45	BELTGUARD FRONT ASSEMBLY (INC. 46-47)	854-0101	1
6	NIPPLE	24-0200	1	46	BELTGUARD FRONT (SEE 854-0099)	6-0132A01	1
7	BALL VALVE	22-0344	1	47	EDGING *(TWO FEET REQUIRED)	33-0020	2
8	TANK DRAIN OPTION	IX-0032	1	48	KEY	43-0078	1
9	COPPER TUBING *(THREE FEET REQUIRED)	54-0034	1	49	MOTOR (AES-20315-120HM)	2-0152	1
10	COPPER TUBE *(ONE FOOT REQUIRED)	54-0034	1	-	MOTOR (AES-23315-120HM, AES-46315-120HM)	2-0153	1
11	ADAPTER	23-0328	1	50	BOLT	27-0218	4
12	CHECK VALVE	22-0436	1	51	BELT TENSIONER PLATE	20-1030A01	1
13	DECAL- SILVER STICKER	N/A	1	52	BOLT	27-0133	2
14	DECAL - RISK OF BURNS (SEE 34-9048)	N/A	2	53	CONDUIT FITTING	32-0255	3
15	DECAL - OPERATING INSTRUCTIONS (SEE 34-9048)	N/A	1	54	CONDUIT *(FOUR FEET REQUIRED)	32-0253	1
16	DECAL - MAINTENANCE INSTRUCTIONS (SEE 34-9048)	N/A	1	55	CONDUIT	32-0486	1
17	DECAL - CAUTION/WARNING/DANGER (SEE 34-9048)	N/A	1	56	CONDUIT ELBOW	32-0487	1
18	BASEPLATE	5-0282A01	1	57	STARTER - INDUSTRIAL COMPRESSOR (AES-20315-120HM)	IX-0025	1
19	REDUCER	23-0456	1	-	STARTER - INDUSTRIAL COMPRESSOR (AES-23315-120HM)	IX-0026	1
20	ELBOW	23-0471	1	-	STARTER - INDUSTRIAL COMPRESSOR (AES-46315-120HM)	IX-0027	1
21	DUAL CONTROL OPTION (AES-20315-120HM, AES-23315-120HM)	IX-0012	1	58	CONDUIT STRAIGHT	32-0488	1
-	DUAL CONTROL OPTION (AES-46315-120HM)	IX-0031	1	59	CONDUIT ELBOW	32-0254	1
22	BOLT	27-0220	4	60	CONDUIT *(THREE FEET REQUIRED)	32-0253	1
23	WASHER	28-0006	16	61	PLUG	24-0219	1
24	NUT	30-0163	8	62	DECAL - TANK DRAIN (SEE 34-9048)	N/A	2
25	LOW OIL SHUTDOWN OPTION	IX-0036	1	63	BOLT	27-0117	4
26	PUMP	3-0314	1	64	LOCKWASHER	29-0008	4
27	DECAL - CHECK OIL (SEE 34-9048)	N/A	1	65	ISOLATOR	14-0109	4
28	BELTGUARD STABILIZER	20-1031A01	2	66	BOLT	27-0067	8
29	WASHER	28-0023	8	67	PLUG	24-0009	1
30	BOLT	27-8061	2	68	PRESSURE SWITCH	22-0416	1
31	WASHER	28-0003	20	69	PRESSURE RELIEF VALVE	22-0267	1
32	LOCKNUT	30-0157	10	70	PLUG	39-0014	1
33	BOLT	27-0066	2	71	REDUCER	23-0111	1
34	BELTGUARD BACK ASSEMBLY (INC. 35-37)	854-0100	1	72	PRESSURE GAUGE	22-0271	1
35	BELTGUARD BACK	6-0131A01	1	73	NIPPLE	24-0315	1
36	EDGING *(FOUR FEET REQUIRED)	33-0020	1	74	TEE	23-0127	1
37	DECAL - BELTGUARD IN PLACE (SEE 34-9048)	N/A	1	75	REDUCER	23-0056	1
38	SHEAVE	10-0147	1	76	REDUCER	23-0226	1
39	BUSHING	9-0091	1	77	DECAL SET	34-9048	1
40	BOLT	27-0015	3	*MUST ORDER IN ONE FOOT LENGTHS			

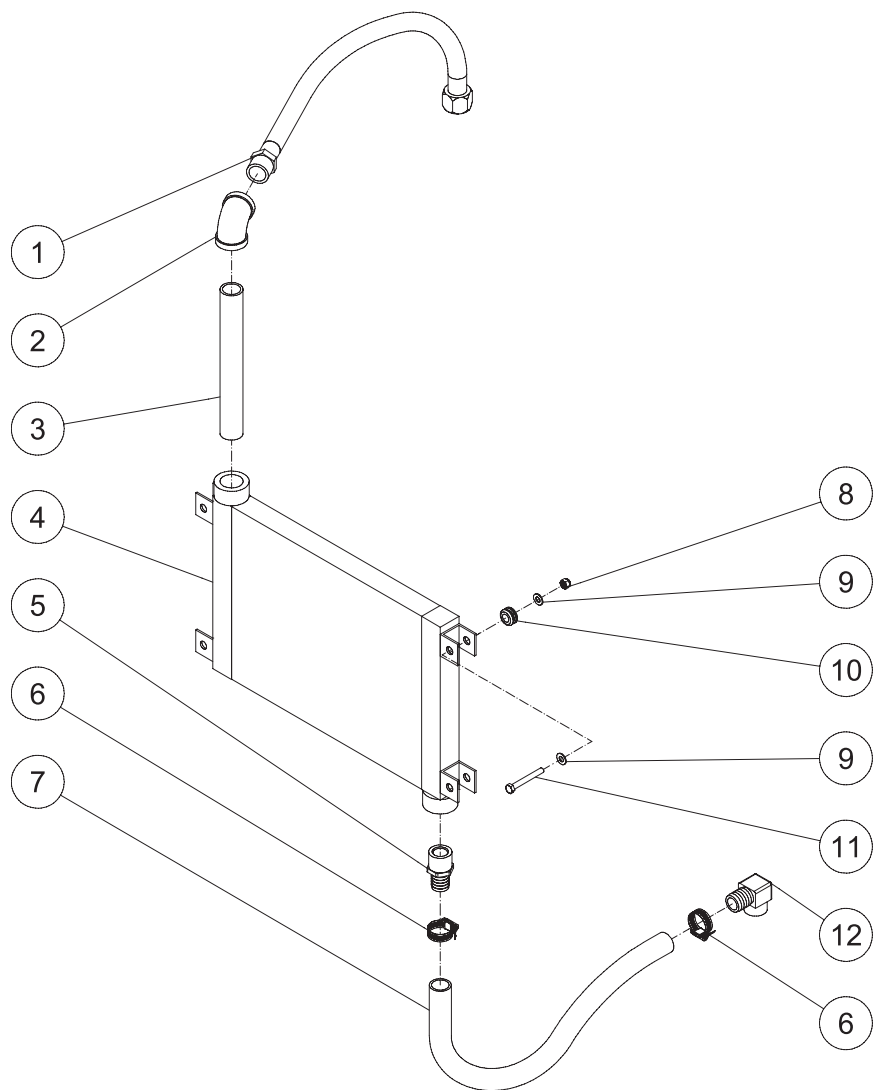
COMPRESSOR PUMP (3-0314)



3-0314 010714 JDK

PUMP ASSEMBLY							
ITEM	DESCRIPTION	Mi-T-M #	QTY	ITEM	DESCRIPTION	Mi-T-M #	QTY
1	AIR STRAINER ASSEMBLY	19-0259	2	59	SNAP RING (1ST)	N/A	6
2	AIR STRAINER ELEMENT (NOT SHOWN)	19-0260	2	60	PISTON PIN (1ST)	N/A	2
3	BOLT	N/A	16	61	PISTON (1ST)	N/A	2
4	PUSH COVER (1ST)	N/A	2	62	CYLINDER (1ST)	N/A	2
5	O-RING (OUTLET VALVE-1ST)	25-0614	2	63	NUT	N/A	12
6	OUTLET VALVE ASSEMBLY (1ST)	8-0603	2	64	WASHER	N/A	12
7	NUT (OUTLET VALVE-1ST) (SEE KIT 8-0603)	SEE KIT	4	65	BOLT	N/A	12
8	RECEIVER (1ST) (SEE KIT 8-0603)	SEE KIT	2	66	GASKET (SEE KIT 70-0532)	26-0342	3
9	SPRING (1ST) (SEE KIT 8-0603)	SEE KIT	6	67	COMPRESSION RING (2ND)	N/A	3
10	PLATE (1ST) (SEE KIT 8-0603)	SEE KIT	2	68	OIL CONTROL RING (2ND)	N/A	2
11	SEAT (1ST) (SEE KIT 8-0603)	SEE KIT	2	69	PISTON (2ND)	N/A	1
12	BOLT (1ST) (SEE KIT 8-0603 OR 8-0605)	SEE KIT	3	70	PISTON PIN (2ND)	N/A	1
13	VALVE GASKET (1ST) (SEE KIT 70-0532)	26-0340	4	71	CYLINDER (2ND)	N/A	1
14	PUSH COVER (1ST)	N/A	2	72	CONNECTING ROD ASSEMBLY (1ST)	N/A	2
15	O-RING (OUTLET VALVE-1ST)	25-0614	2	73	PIN (1ST)	N/A	6
16	O-RING (UNLOADER-1ST)	25-0615	2	74	NUT	N/A	3
17	PISTON (1ST)	46-1350	2	75	OIL SPLASH DIPPER	N/A	3
18	INLET VALVE ASSEMBLY-1ST	8-0602	2	76	CONNECTING ROD ASSEMBLY (2ND)	N/A	1
19	LOCKNUT (INLET VALVE-1ST) (SEE KIT 8-0602)	SEE KIT	2	77	BREATHER ASSEMBLY	46-1345	1
20	UNLOADER FORK (1ST) (SEE KIT 8-0602)	SEE KIT	2	78	BOLT	N/A	4
21	UNLOADER FORK GUIDE (1ST) (SEE KIT 8-0602)	SEE KIT	2	79	WASHER	N/A	10
22	SPRING (1ST) (SEE KIT 8-0602)	SEE KIT	2	80	COVER	N/A	1
23	SEAT (1ST) (SEE KIT 8-0602)	SEE KIT	2	81	GASKET (SEE KIT 70-0532)	26-0343	1
24	PLATE (1ST) (SEE KIT 8-0602)	SEE KIT	2	82	OIL BAFFLE	N/A	1
25	SPRING (1ST) (SEE KIT 8-0602)	SEE KIT	2	83	BEARING	N/A	1
26	RECEIVER (1ST) (SEE KIT 8-0602)	SEE KIT	2	84	BOLT	N/A	2
27	PUSH COVER BOLT	N/A	8	85	LOCKWASHER	N/A	2
28	PUSH COVER (2ND)	N/A	1	86	COUNTERWEIGHT	N/A	2
29	O-RING (OUTLET VALVE-2ND)	25-0608	2	87	CRANKSHAFT	N/A	1
30	OUTLET VALVE ASSEMBLY (2ND) (SEE KIT 8-0605)	8-0605	1	88	PIN	N/A	1
31	NUT (OUTLET VALVE-2ND) (SEE KIT 8-0605)	SEE KIT	2	89	BEARING	N/A	1
32	RECEIVER (2ND) (SEE KIT 8-0605)	SEE KIT	1	90	BOLT	27-8873	4
33	SPRING (2ND) (SEE KIT 8-0605)	SEE KIT	1	91	PUSH COVER	46-1562	1
34	PLATE (2ND) (SEE KIT 8-0605)	SEE KIT	1	92	SIGHT GLASS ASSEMBLY	46-1563	1
35	SEAT (2ND) (SEE KIT 8-0605)	SEE KIT	1	93	GASKET	26-0394	1
36	GASKET (2ND) (SEE KIT 70-0532)	26-0333	2	94	PLUG	N/A	1
37	PUSH COVER (2ND)	N/A	1	95	CRANKCASE	N/A	1
38	PISTON (2ND)	46-1346	1	96	CAP	N/A	1
39	O-RING (UNLOADER-2ND)	25-0610	1	97	O-RING	N/A	1
40	INLET VALVE ASSEMBLY (2ND)	8-0604	1	98	GASKET (SEE KIT 70-0532)	26-0344	1
41	LOCKNUT (INLET VALVE-2ND) (SEE KIT 8-0604)	SEE KIT	1	99	COVER	N/A	1
42	UNLOADER FORK (2ND) (SEE KIT 8-0604)	SEE KIT	1	100	OIL SEAL	N/A	1
43	SPRING (2ND) (SEE KIT 8-0604)	SEE KIT	1	101	BOLT	N/A	6
44	UNLOADER FORK GUIDE (2ND) (SEE KIT 8-0604)	SEE KIT	1	102	PULLEY	N/A	1
45	SEAT (2ND) (SEE KIT 8-0604)	SEE KIT	1	103	FAN	N/A	1
46	PLATE (2ND) (SEE KIT 8-0604)	SEE KIT	1	104	WASHER	N/A	6
47	SPRING (2ND) (SEE KIT 8-0604)	SEE KIT	1	105	BOLT	N/A	6
48	RECEIVER (2ND) (SEE KIT 8-0604)	SEE KIT	1	106	WASHER	N/A	1
49	BOLT (1ST)	N/A	12	107	WASHER	N/A	1
50	WASHER	N/A	12	108	BOLT	N/A	1
51	CYLINDER HEAD (1ST)	N/A	2	109	JOINT	N/A	1
52	GASKET (1ST) (SEE KIT 70-0532)	N/A	2	110	PIPING ASSEMBLY (LONG), 1ST	N/A	1
53	BOLT (2ND)	N/A	6	111	JOINT	N/A	1
54	WASHER	N/A	6	112	PIPING ASSEMBLY (LONG), 2ND	N/A	1
55	CYLINDER HEAD (2ND)	N/A	1	113	JOINT	N/A	1
56	GASKET (2ND) (SEE KIT 70-0532)	26-0335	1	114	JOINT	N/A	1
57	COMPRESSION RING (1ST)	N/A	4	-	GASKET KIT (INCLUDES #'S 13, 36, 52, 56, 66, 81, 98)	70-0532	1
58	OIL CONTROL RING (1ST)	N/A	4				

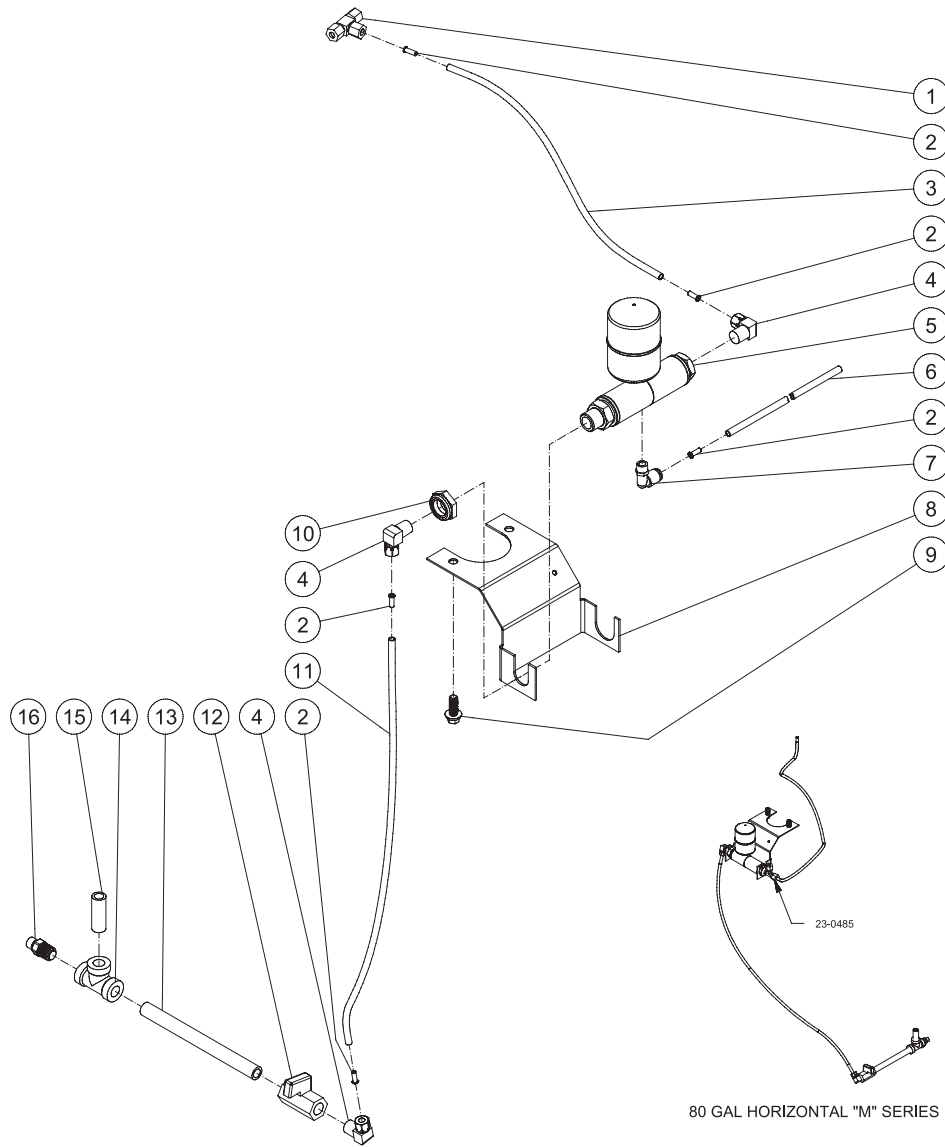
AFTERCOOLER (IX-0004)



IX-0004 063010 PJH			
AFTERCOOLER			
ITEM	DESCRIPTION	Mi-T-M #	QTY
1	HOSE	15-0281	1
2	ELBOW	24-0096	1
3	NIPPLE	24-0327	1
4	AFTERCOOLER	33-0488	1
5	HOSE BARB	23-0091	1
6	HOSE CLAMP	42-0018	2
7	HOSE *(TWO FEET REQUIRED)	15-0290	1
8	LOCKNUT	30-0157	4
9	WASHER	28-0003	8
10	GROMMET	33-0001	4
11	BOLT	27-0073	4
12	HOSE BARB	23-0483	1

IX-0004 063010 PJH

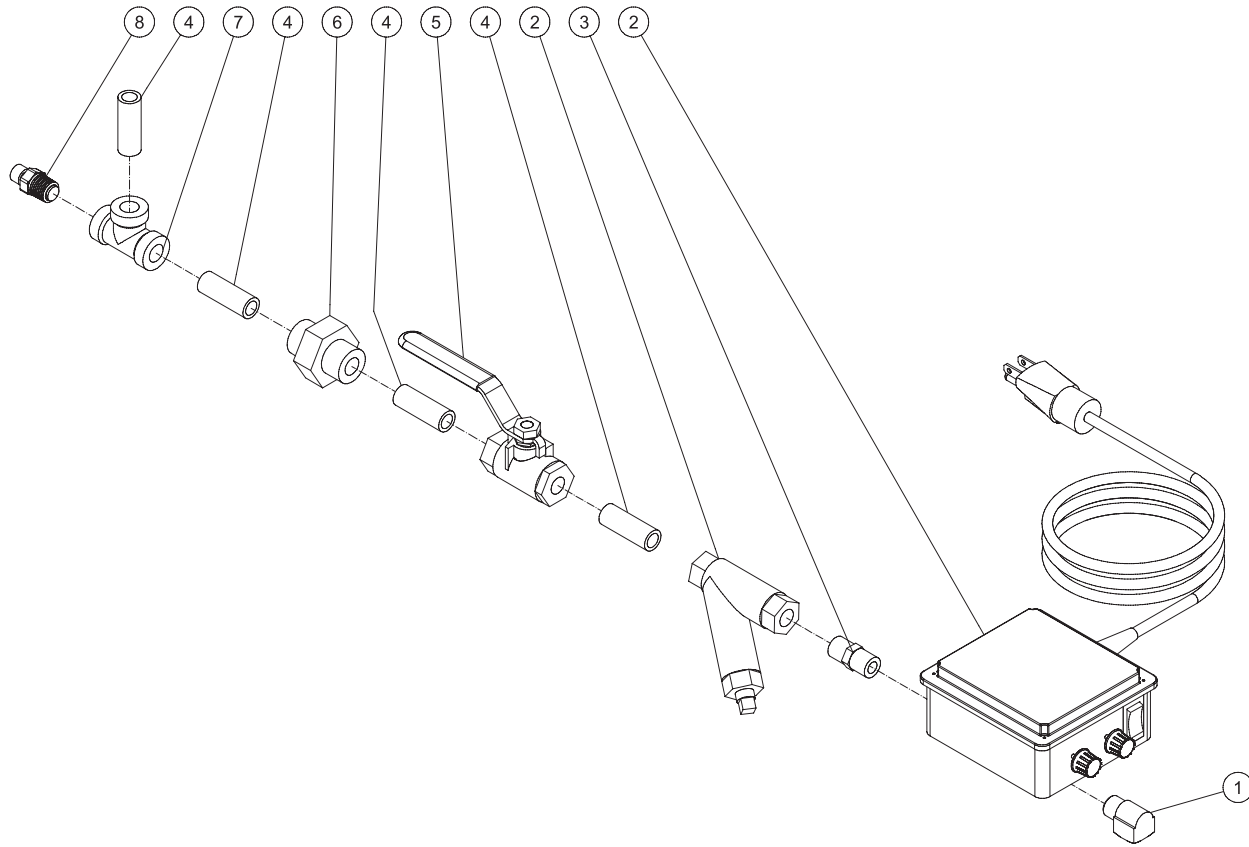
TANK DRAIN OPTION (IX-0032)



IX-0032 071610 PJH			
TANK DRAIN OPTION			
ITEM	DESCRIPTION	Mi-T-M #	QTY
1	TEE	23-0476	1
2	TUBE SUPPORT	23-0486	5
3	HOSE *(TWO FEET REQUIRED)	15-0240	1
4	ADAPTER	23-0417	3
5	PNEUMATIC DRAIN	22-0448	1
6	HOSE	15-0240	1
7	ELBOW	55-0104	1
8	BRACKET	13-0197A01	1
9	BOLT	27-9524	2
10	NUT	30-0210	1
11	HOSE *(TWO FEET REQUIRED)	15-0240	1
12	BALL VALVE	22-0449	1
13	NIPPLE	24-0315	1
14	TEE	23-0067	1
15	NIPPLE	24-0313	1
16	PETCOCK	23-0312	1
*MUST ORDER IN ONE FOOT LENGTHS			

IX-0032 071610 PJH

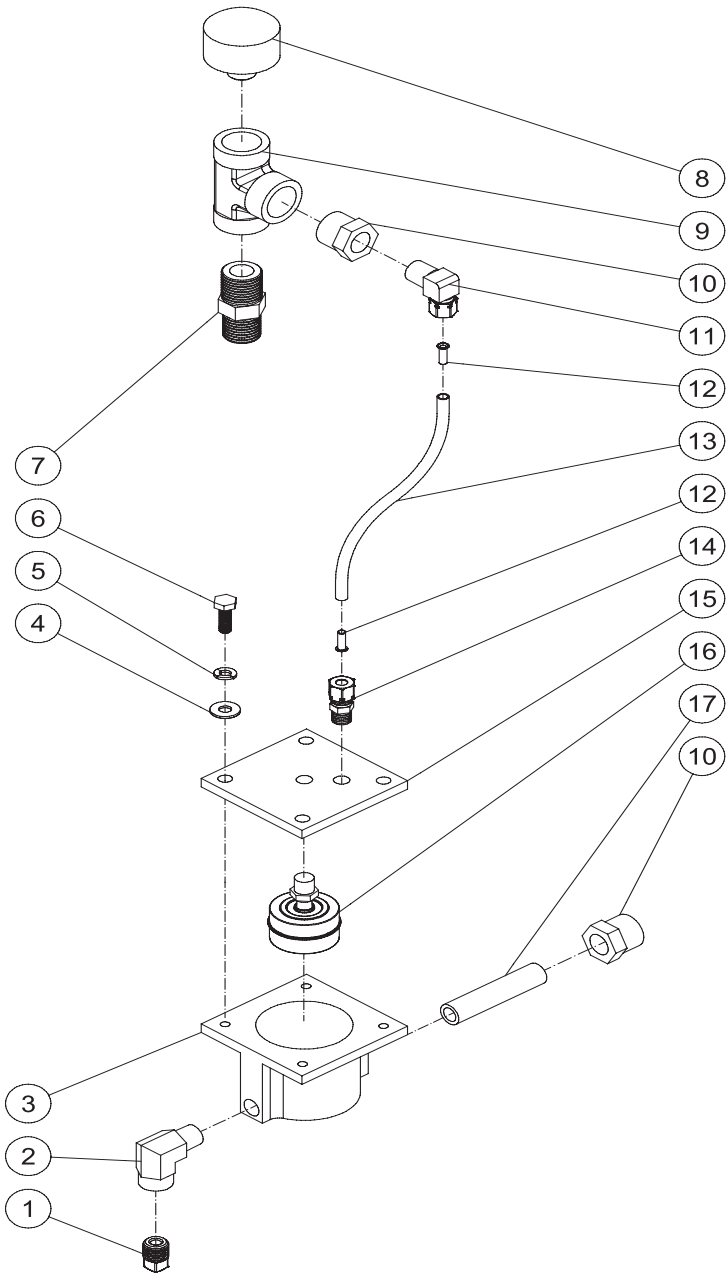
ELECTRIC TANK DRAIN (IX-0006)



IX-0006 102708-PJH			
ELECTRIC TANK DRAIN			
REF #	DESCRIPTION	PART #	QTY
1	ELBOW	23-0014	1
2	ELECTRIC DRAIN	AT-4012-J	1
3	NIPPLE	23-0103	1
4	NIPPLE	24-0313	4
5	BALL VALVE	22-0002	1
6	UNION	24-0317	1
7	TEE	23-0067	1
8	PETCOCK	23-0312	1

IX-0006 102708 PJH

LOW OIL SHUTDOWN (IX-0036)

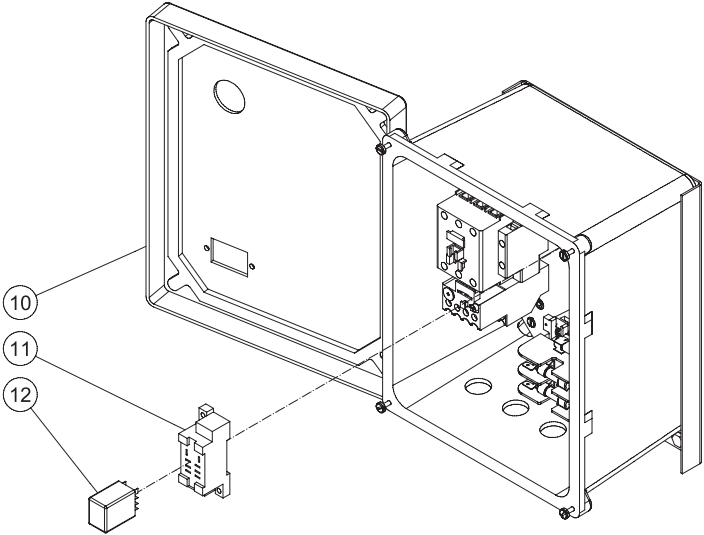
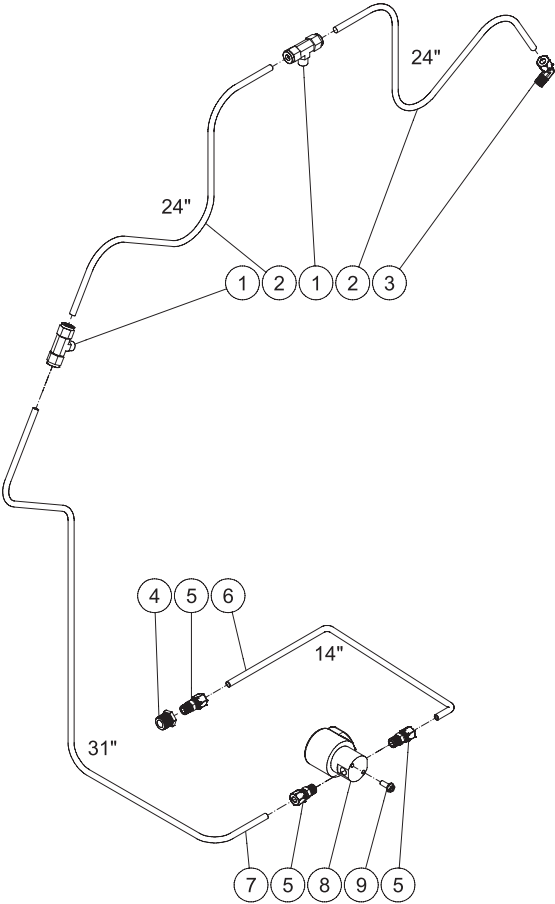
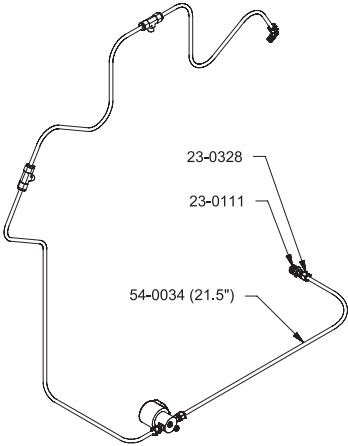


IX-0036 012610 PJH

IX-0036 012610-PJH			
LOW OIL SHUTDOWN			
ITEM	DESCRIPTION	Mi-T-M #	QTY
1	PLUG	24-0009	1
2	ELBOW	24-0021	1
3	OIL CANISTER	56-0062	1
4	WASHER	28-0002	4
5	LOCKWASHER	29-0006	4
6	BOLT	27-0015	4
7	NIPPLE	24-0031	1
8	BREATHER (W/ PUMP)	N/A	1
9	TEE	24-0055	1
10	REDUCER	24-0053	2
11	ADAPTER	23-0417	1
12	TUBE SUPPORT	23-0486	2
13	HOSE *(ONE FOOT REQUIRED)	15-0240	1
14	ADAPTER	23-0328	1
15	LID	56-0063	1
16	FLOAT	32-0998	1
17	NIPPLE	24-0314	1

DUAL CONTROL OPTION (IX-0012)

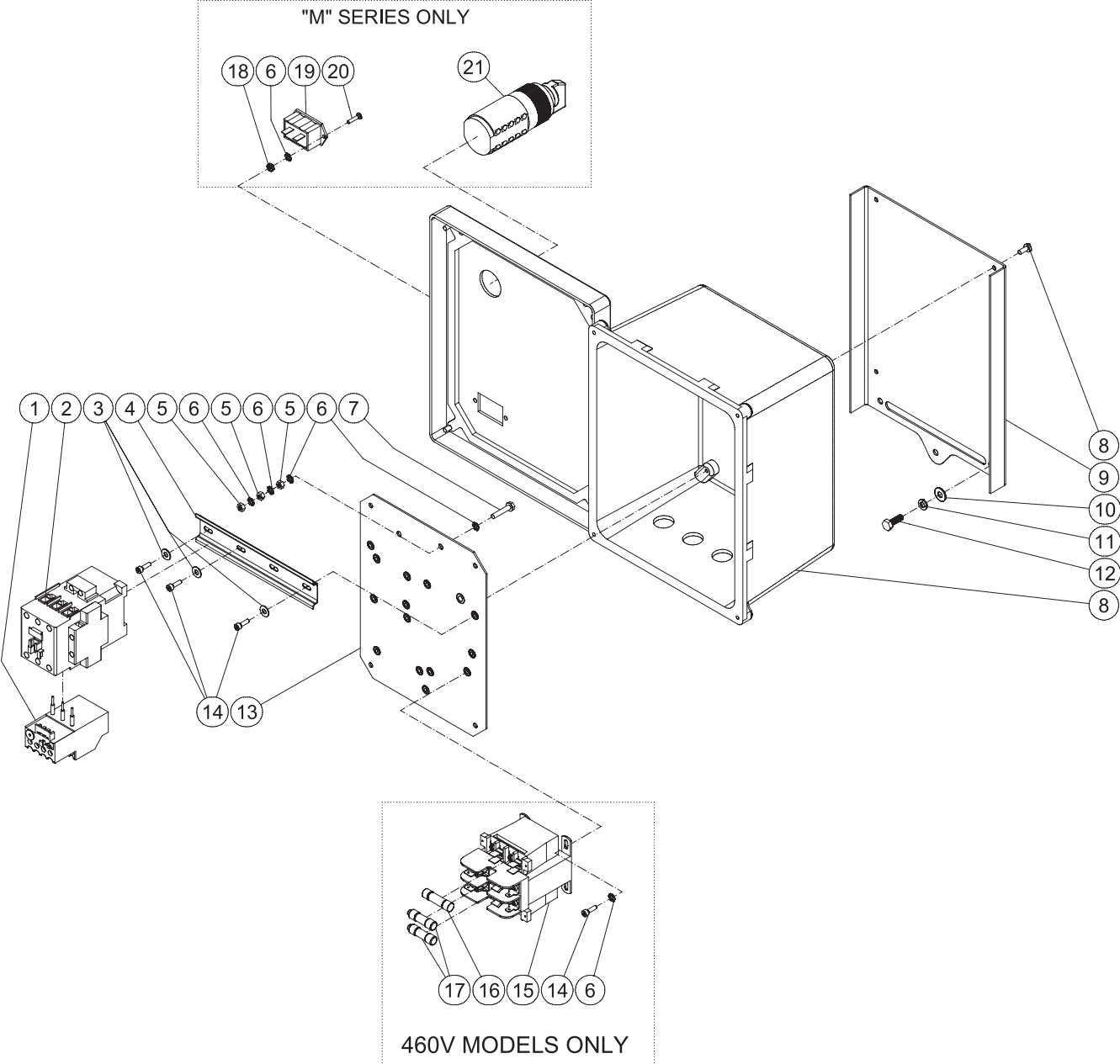
IX-0012 ON AES "M" SERIES UNITS



IX-0012 091109 PJH

IX-0012 091109 PJH			
DUAL CONTROL OPTION			
ITEM	DESCRIPTION	Mi-T-M #	QTY
1	TEE	23-0475	2
2	COPPER TUBING *(TWO FEET REQUIRED)	54-0034	2
3	ELBOW	23-0316	1
4	REDUCER	23-0111	1
5	ADAPTER	23-0328	3
6	COPPER TUBING *(TWO FEET REQUIRED)	54-0034	1
7	COPPER TUBING *(THREE FEET REQUIRED)	54-0034	1
8	SOLENOID	22-0439	1
9	BOLT	27-8389	2
10	STARTER OPTION (IX-0013 - IX-0027)	N/A	1
11	SOCKET - RELAY 8 PIN	32-0321	1
12	RELAY - 230V DPDT 10A	32-1005	1

STARTER INDUSTRIAL COMPRESSOR (IX-0013 THRU IX-0027)

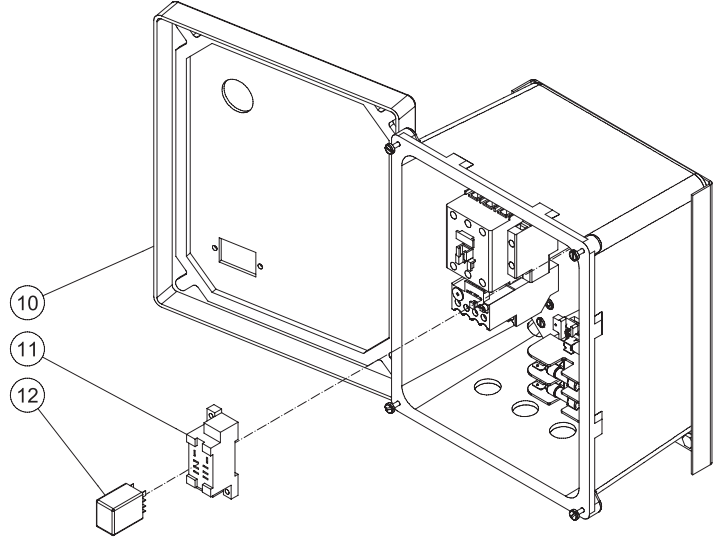
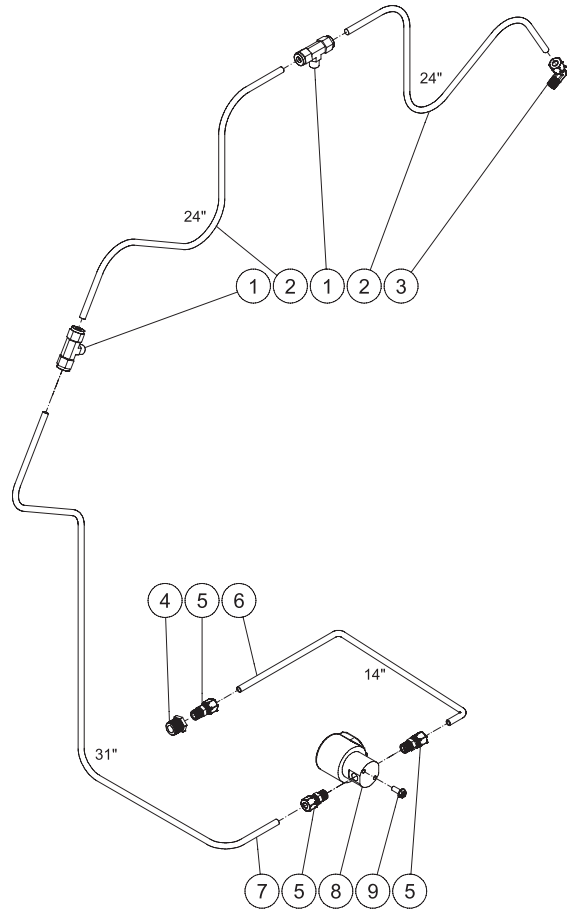
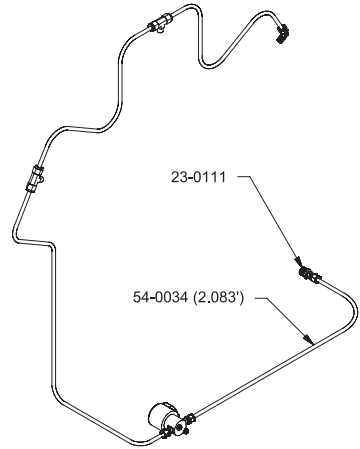


IX-0013 THRU IX-0027 071610 P.JH

IX-0013 THRU IX-0027 071610-PJH			
STARTER INDUSTRIAL COMPRESSOR			
ITEM	DESCRIPTION	Mi-T-M #	QTY
1	OVERLOAD RELAY (IX-0013, IX-0018)	32-1076	1
-	OVERLOAD RELAY (IX-0014, IX-0019, IX-0027)	32-1075	1
-	OVERLOAD RELAY (IX-0015, IX-0024)	32-0482	1
-	OVERLOAD RELAY (IX-0016, IX-0020)	32-0481	1
-	OVERLOAD RELAY (IX-0017, IX-0022, IX-0026)	32-0485	1
-	OVERLOAD RELAY (IX-0021, IX-0025)	32-0490	1
-	OVERLOAD RELAY (IX-0023)	32-1074	1
2	CONTACTOR - 30AMP (IX-0013, IX-0018, IX-0023)	32-0945	1
-	CONTACTOR - 30AMP (IX-0014, IX-0019)	32-0235	1
-	CONTACTOR - 30AMP (IX-0015)	32-0237	1
-	CONTACTOR - 30AMP (IX-0016, IX-0020, IX-0024)	32-0327	1
-	CONTACTOR - 30AMP (IX-0017, IX-0022, IX-0026)	32-0232	1
-	CONTACTOR - 30AMP (IX-0021, IX-0025)	32-0700	1
-	CONTACTOR - 30AMP (IX-0027)	32-0329	1
3	WASHER	28-0001	3
4	DIN RAIL *(ONE FOOT REQUIRED)	32-0316	1
5	NUT	30-6001	3
6	STAR WASHER	28-1009	8
7	BOLT	27-8807	1
8	ELECTRIC BOX	32-079901	1
9	MOUNTING PLATE	20-1037A01	1
10	WASHER	28-0002	3
11	LOCKWASHER	29-0006	3
12	BOLT	27-0015	3
13	CONTROL PANEL	20-0723A06	1
14	SCREW	27-8835	5
15	TRANSFORMER	32-0313	1
16	FUSE	32-0323	1
17	FUSE	32-0467	2
18	NUT	30-0052	2
19	HOUR METER	32-0668	1
20	SCREW	27-8881	2
21	CAM SWITCH	32-1021	1
* MUST ORDER IN ONE FOOT LENGTHS			

DUAL CONTROL OPTION (IX-0031)

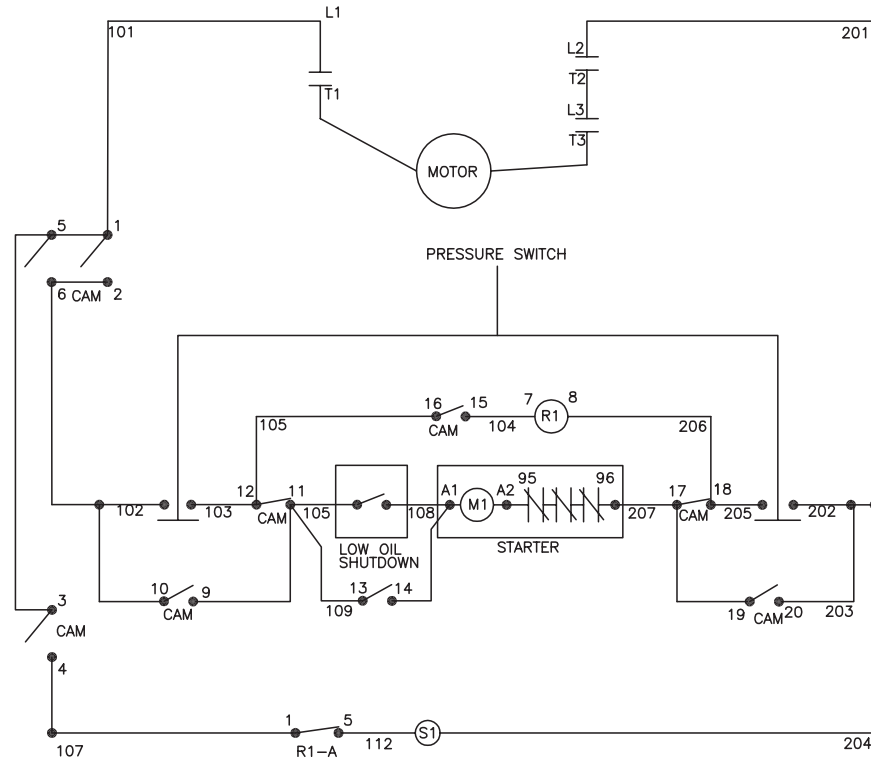
IX-0012 ON AES "M" SERIES UNITS



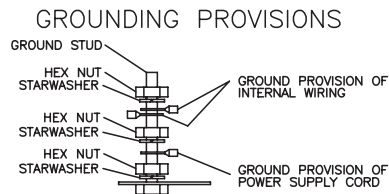
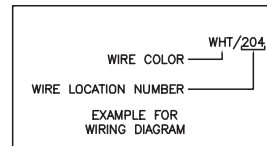
IX-0031 041310 PJH

IX-0031 041310 PJH			
DUAL CONTROL OPTION			
ITEM	DESCRIPTION	Mi-T-M #	QTY
1	TEE	23-0475	2
2	COPPER TUBING *(TWO FEET REQUIRED)	54-0034	2
3	ELBOW	23-0316	1
4	REDUCER	23-0111	1
5	ADAPTER	23-0328	3
6	COPPER TUBING *(TWO FEET REQUIRED)	54-0034	1
7	COPPER TUBING *(THREE FEET REQUIRED)	54-0034	1
8	SOLENOID	22-0438	1
9	BOLT	27-8389	2
10	STARTER OPTION (IX-0013 - IX-0027)	N/A	1
11	SOCKET - RELAY 8 PIN	32-0321	1
12	RELAY-24VAC DPDT 10AMP	32-0320	1
*MUST ORDER IN ONE FOOT LENGTHS			

WIRING SCHEMATIC (230V SINGLE PHASE) M SERIES (AFTER SERIAL #20107354)

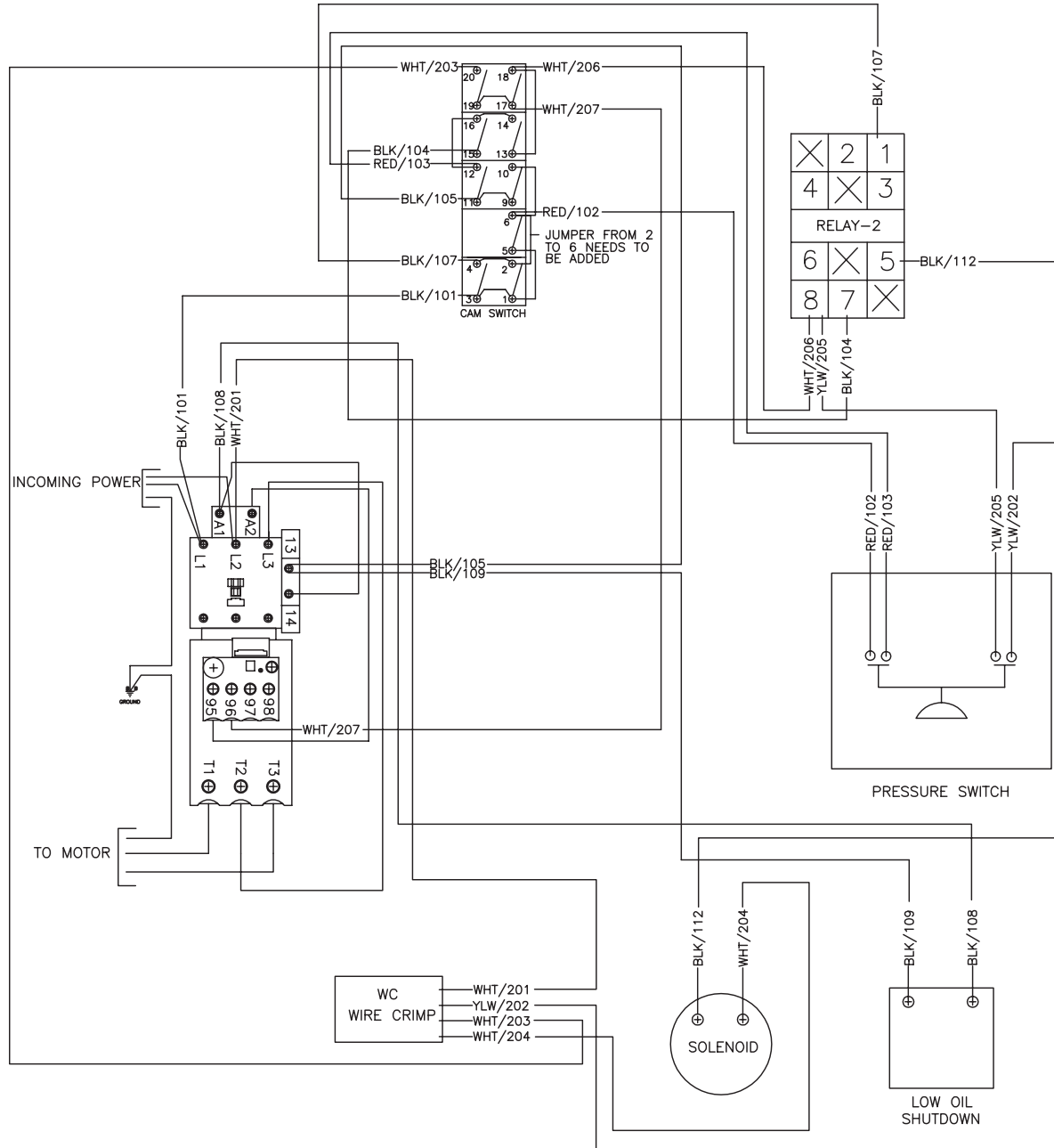


NOTES:
 1) ALL WIRES ARE 16GA UNLESS OTHERWISE SPECIFIED



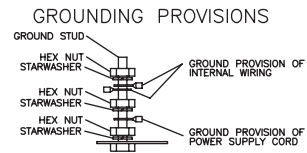
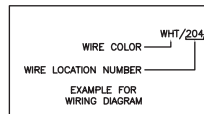
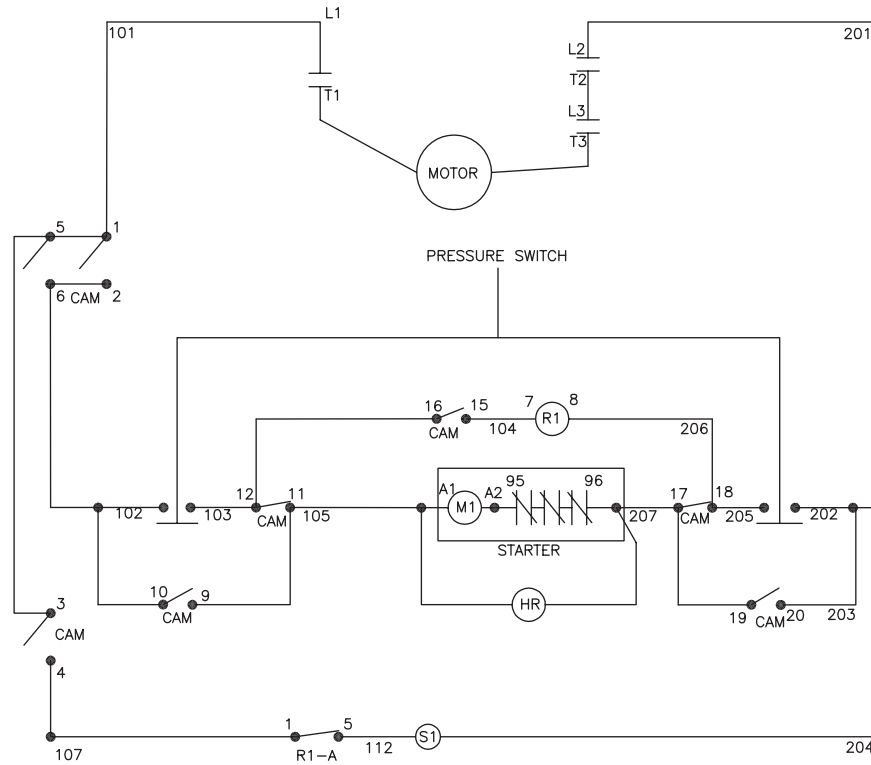
WIRING SCHEMATIC 230V Single Phase 100509

WIRING DIAGRAM (230V SINGLE PHASE) M SERIES (AFTER SERIAL #20107354)



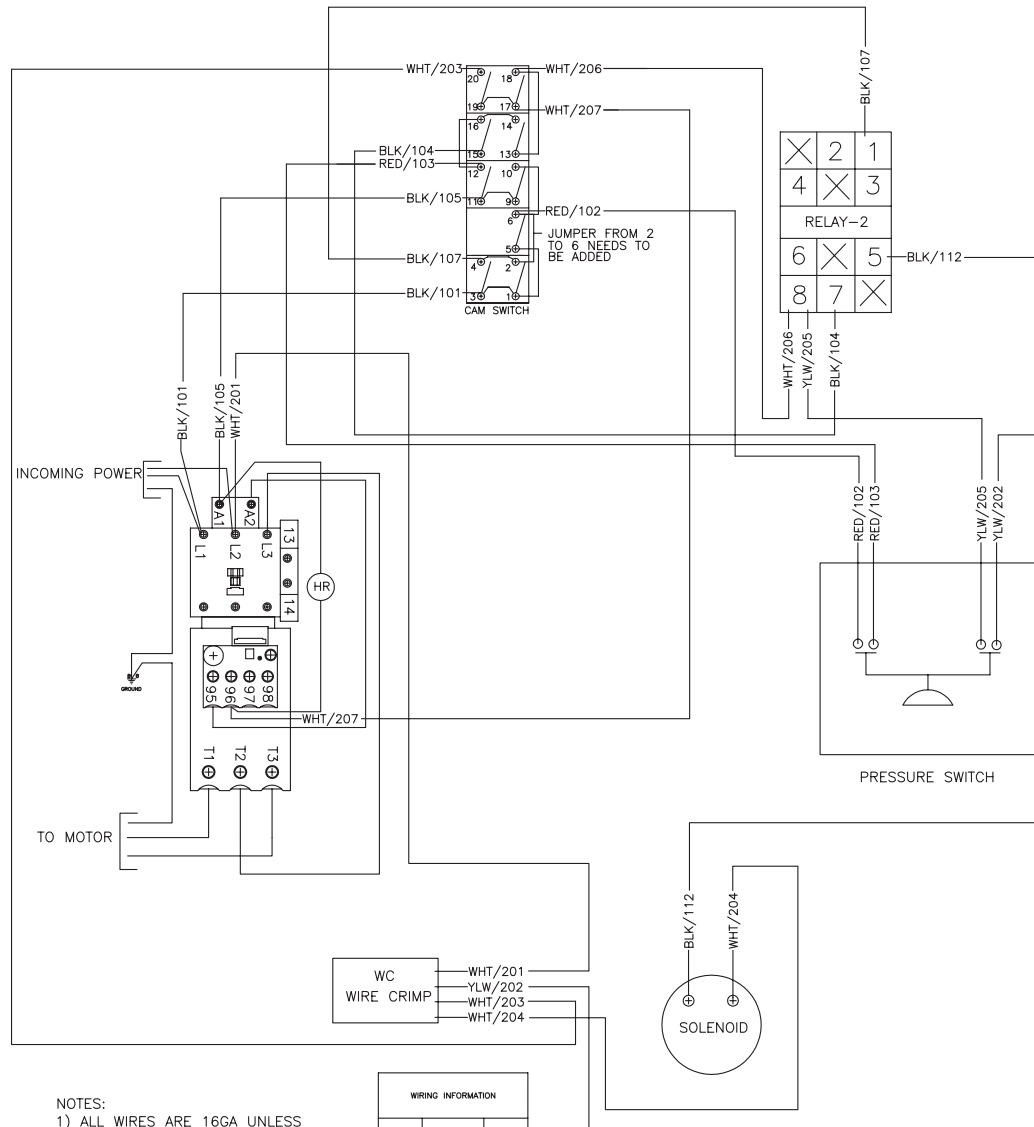
WIRING DIAGRAM 200-230V Single Phase 100509

WIRING SCHEMATIC DUAL CONTROL AND STARTER (230V SINGLE PHASE) (AFTER SERIAL #20107354)



WIRING SCHEMATIC DUAL CONTROL AND STARTER 230V SINGLE PHASE 050411

WIRING DIAGRAM DUAL CONTROL AND STARTER (230V SINGLE PHASE) (AFTER SERIAL #20107354)

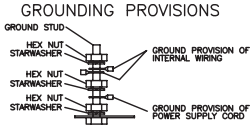
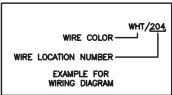
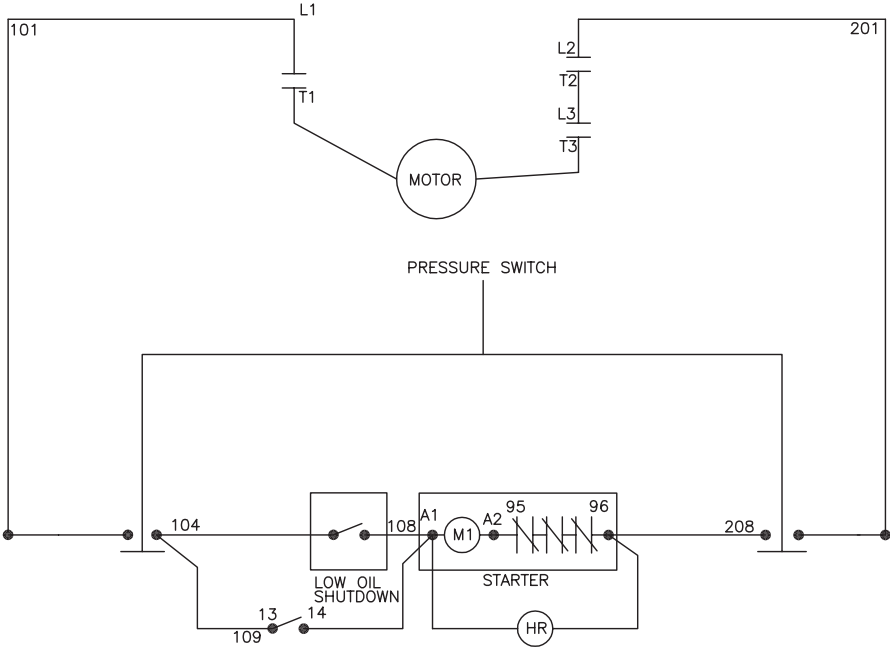


NOTES:
1) ALL WIRES ARE 16GA UNLESS OTHERWISE SPECIFIED

WIRING INFORMATION		
HP	VOLTAGE	WIRE SIZE
5	230	10
7.5	230	8
10	230	8

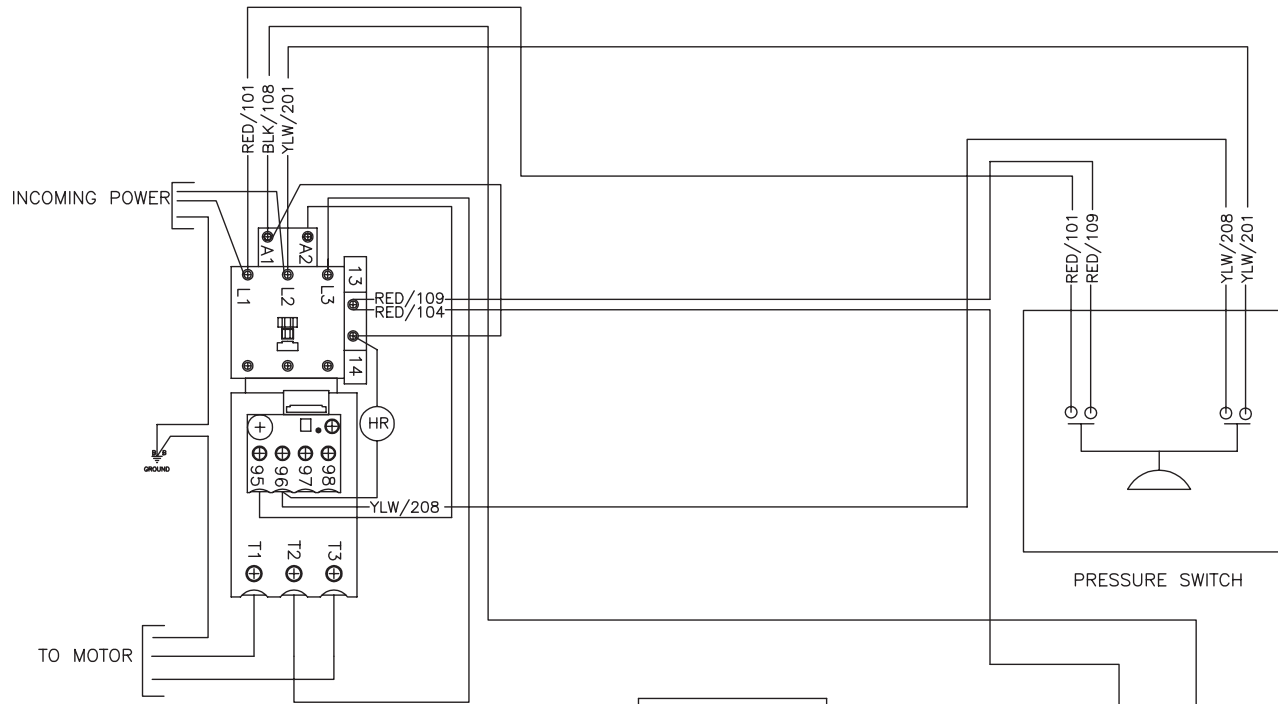
WIRING DIAGRAM DUAL CONTROL AND STARTER 230V
SINGLE PHASE 050411

WIRING SCHEMATIC LOW OIL SHUTDOWN AND STARTER (230V SINGLE PHASE)



WIRING SCHEMATIC LOW OIL SHUTDOWN AND STARTER 230V SINGLE PHASE 050411

WIRING DIAGRAM LOW OIL SHUTDOWN AND STARTER (230V SINGLE PHASE)

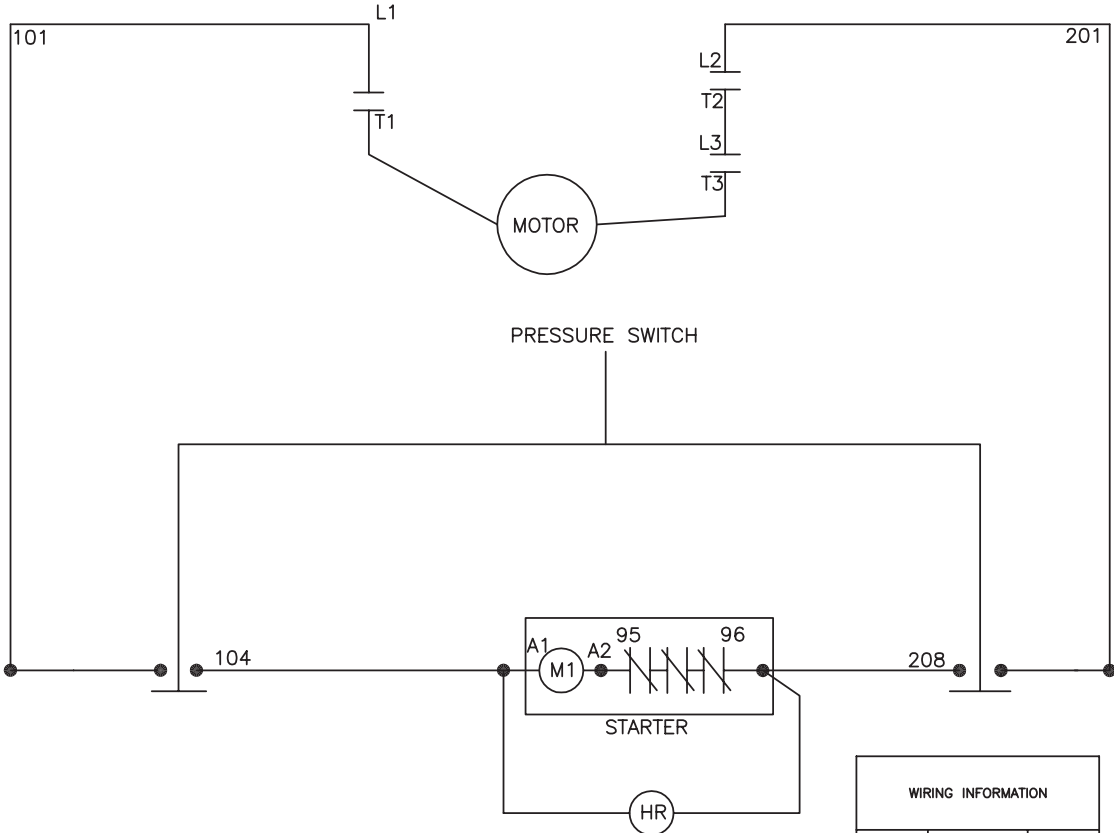


NOTES:
 1) ALL WIRES ARE 16GA UNLESS OTHERWISE SPECIFIED

WIRING INFORMATION		
HP	VOLTAGE	WIRE SIZE
5	230	10
7.5	230	8
10	230	8

WIRING DIAGRAM LOW OIL SHUTDOWN AND STARTER 230V
 SINGLE PHASE 050411

WIRING SCHEMATIC STARTER (230V SINGLE PHASE)

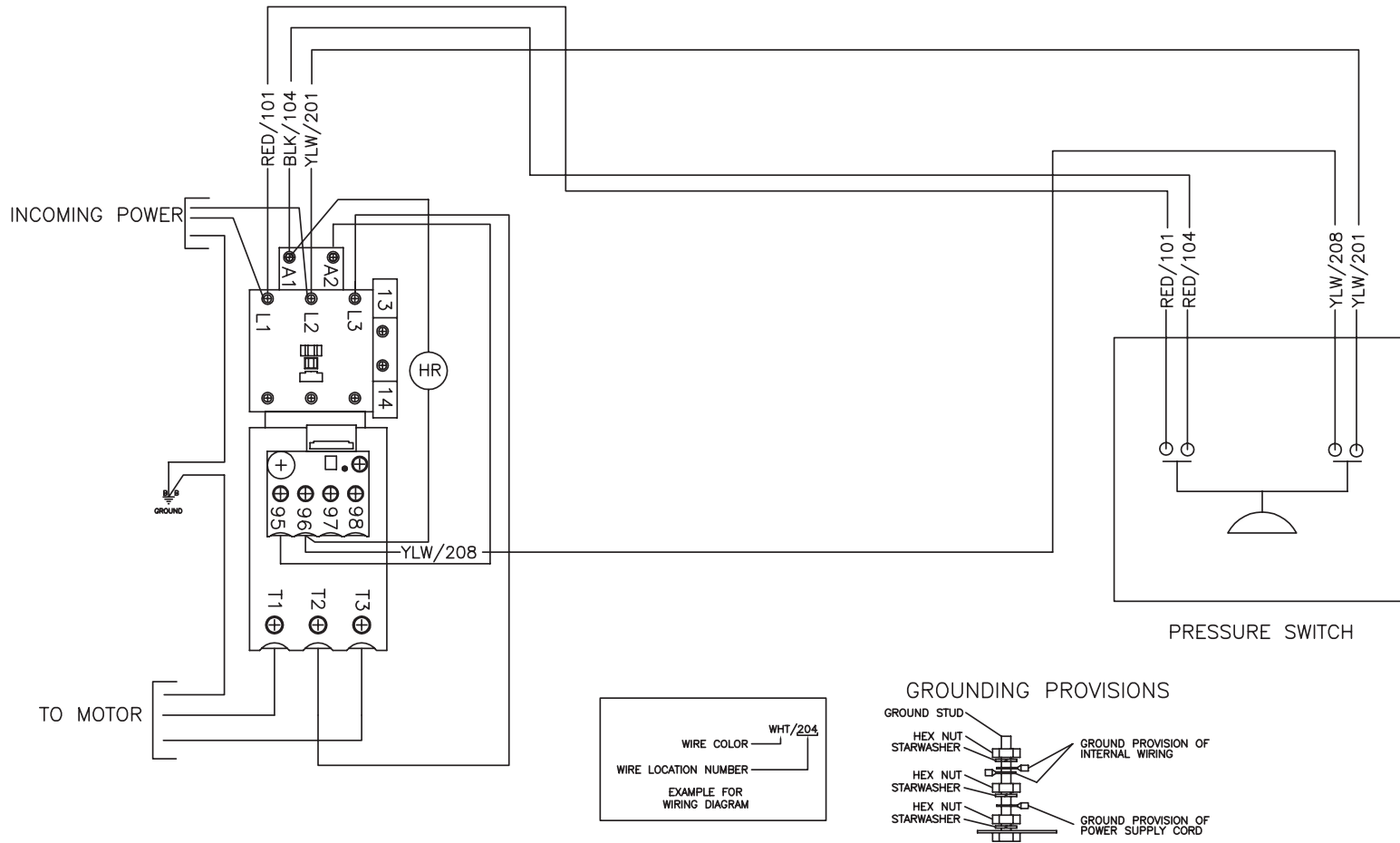


NOTES:
 1) ALL WIRES ARE 16GA UNLESS OTHERWISE SPECIFIED

WIRING INFORMATION		
HP	VOLTAGE	WIRE SIZE
5	230	10
7.5	230	8
10	230	8

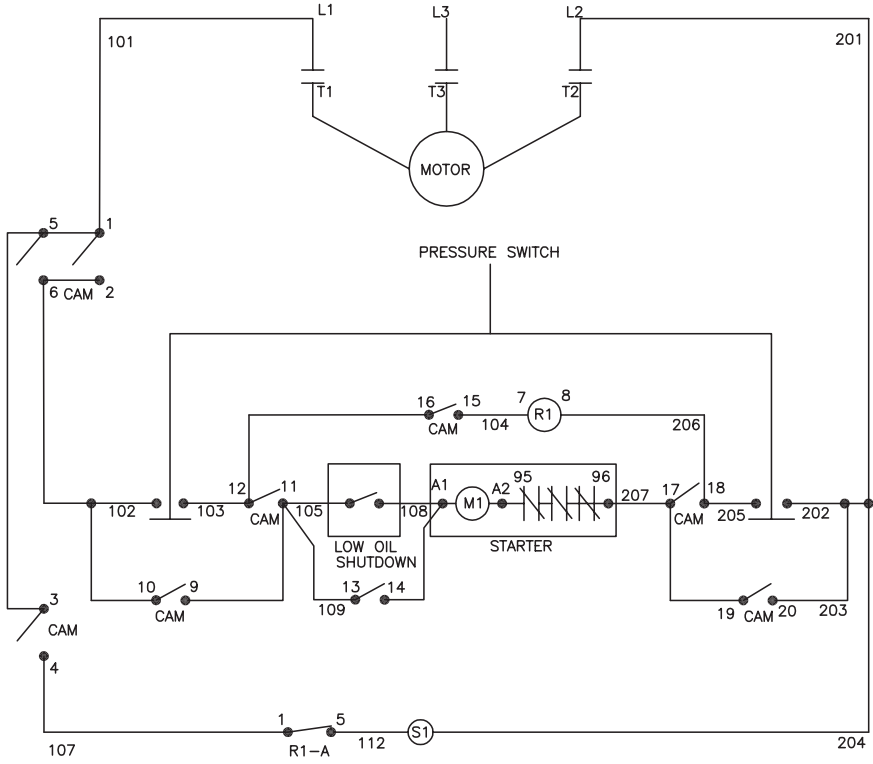
WIRING SCHEMATIC STARTER 230V SINGLE PHASE 050411

WIRING DIAGRAM STARTER (230V SINGLE PHASE)

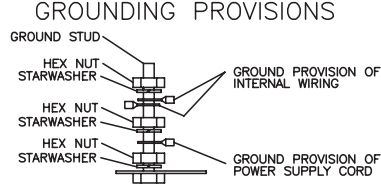
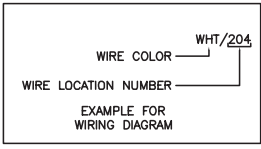


WIRING DIAGRAM STARTER 230V SINGLE PHASE 050411

WIRING SCHEMATIC (200-230V THREE PHASE) M SERIES (AFTER SERIAL #20107354)

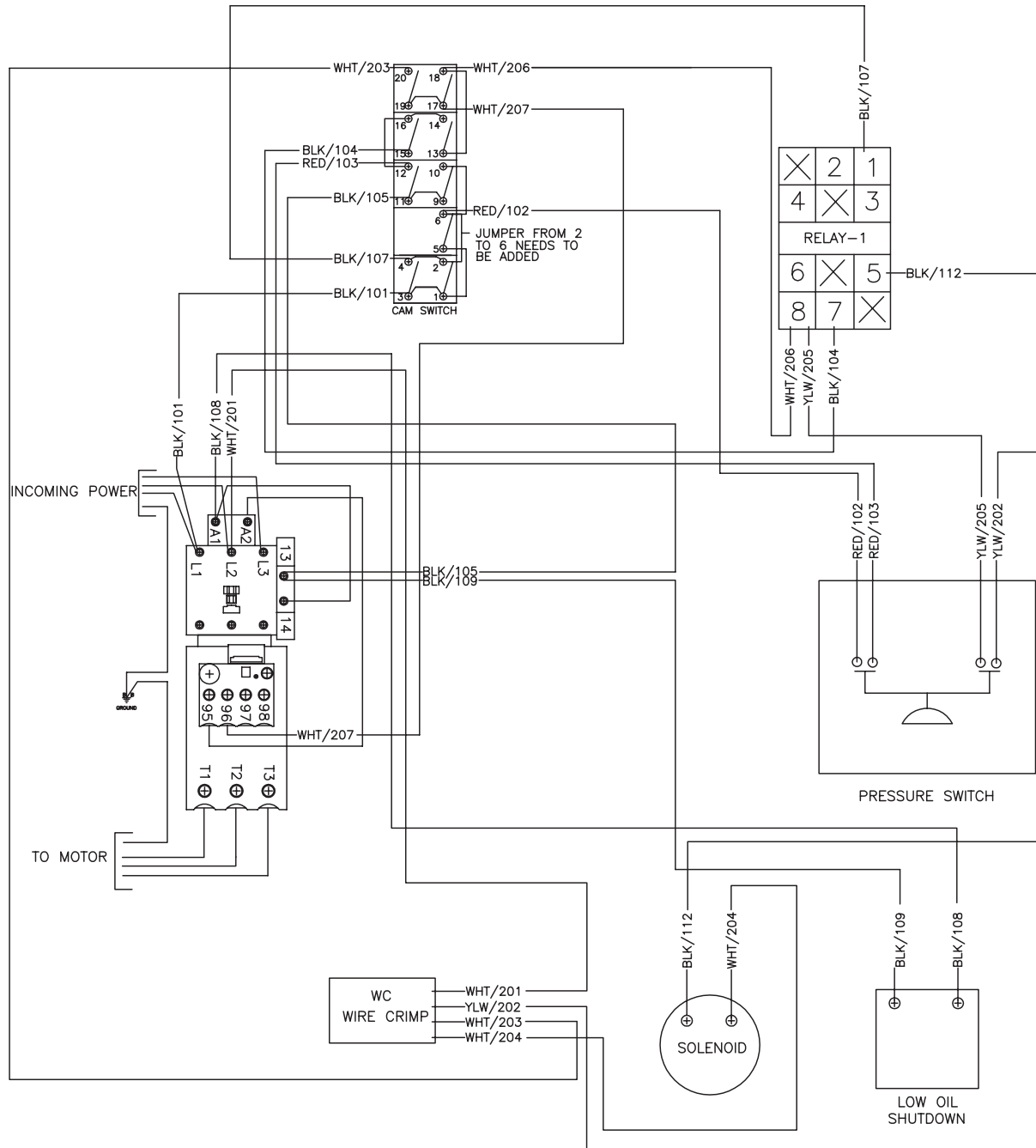


NOTES:
 1) ALL WIRES ARE 16GA UNLESS OTHERWISE SPECIFIED



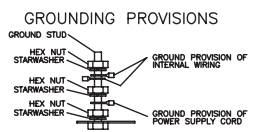
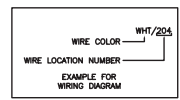
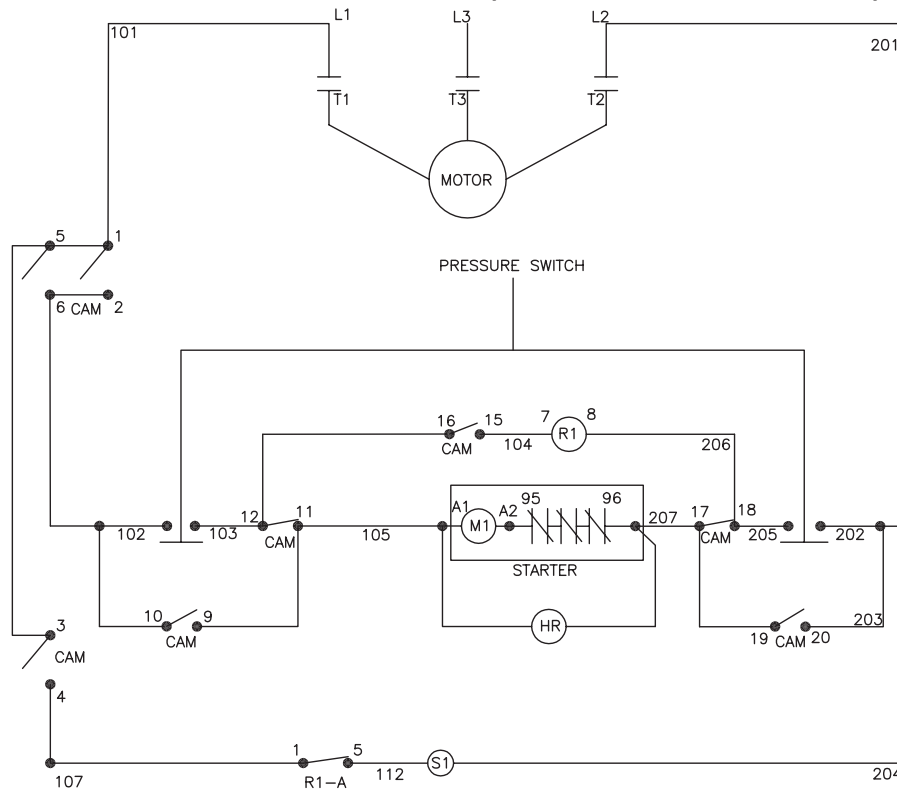
WIRING SCHEMATIC INDUSTRIAL M SERIES 200-230V THREE PHASE 100509

WIRING DIAGRAM (200-230V THREE PHASE) M SERIES (AFTER SERIAL #20107354)



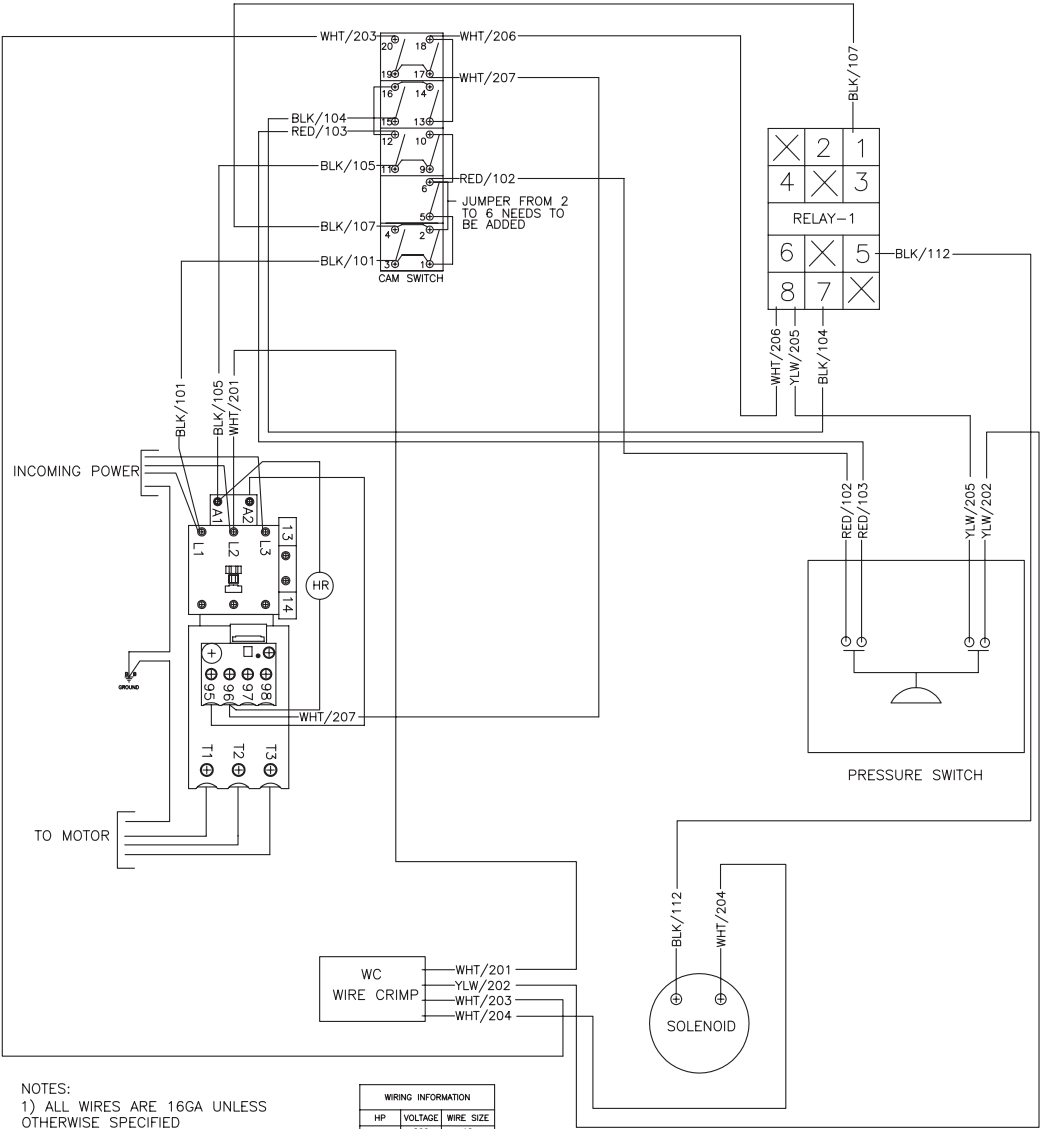
WIRING DIAGRAM INDUSTRIAL M SERIES 200-230V THREE PHASE 100509

WIRING SCHEMATIC DUAL CONTROL AND STARTER (200-230V THREE PHASE) (AFTER SERIAL #20107354)



WIRING SCHEMATIC DUAL CONTROL AND STARTER 200-230V THREE PHASE 050411

WIRING DIAGRAM DUAL CONTROL AND STARTER (200-230V SINGLE PHASE) (AFTER SERIAL #20107354)

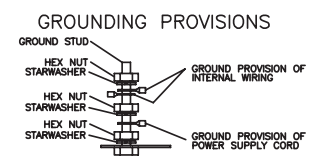
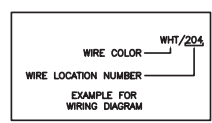
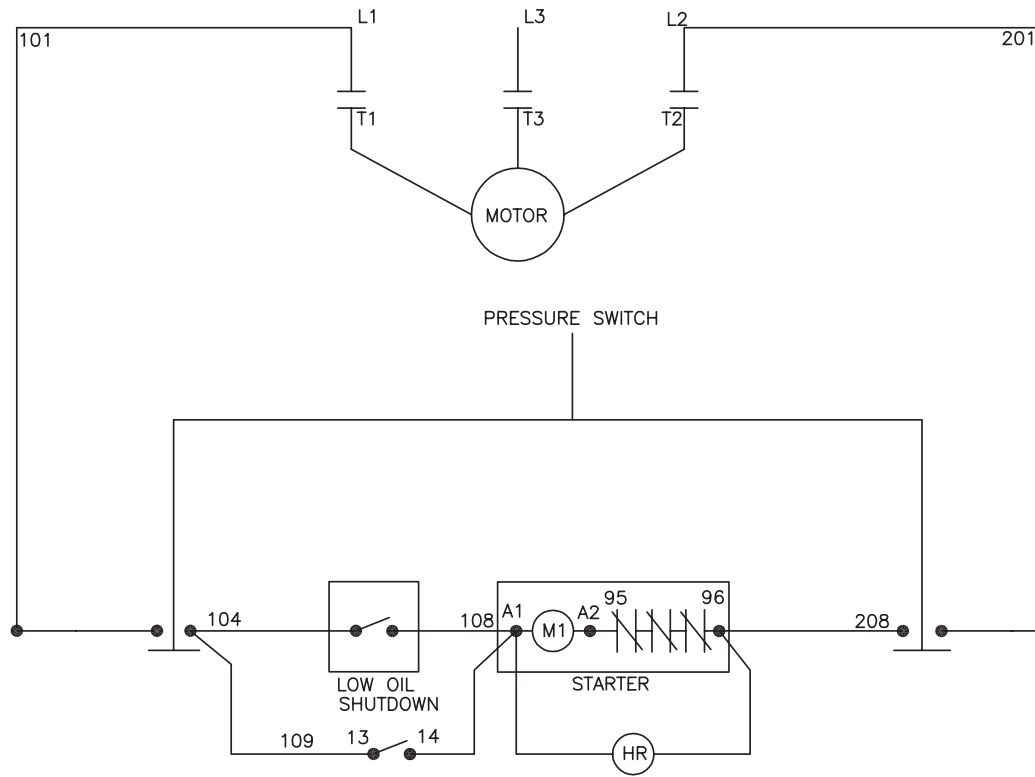


NOTES:
 1) ALL WIRES ARE 16GA UNLESS OTHERWISE SPECIFIED

HP	VOLTAGE	WIRE SIZE
5	200	12
	230	14
7.5	200	10
	230	12
10	200	8
	230	10
15	200	8
	230	8
20	200	6
	230	6
25	200	4
	230	6
30	200	4
	230	4

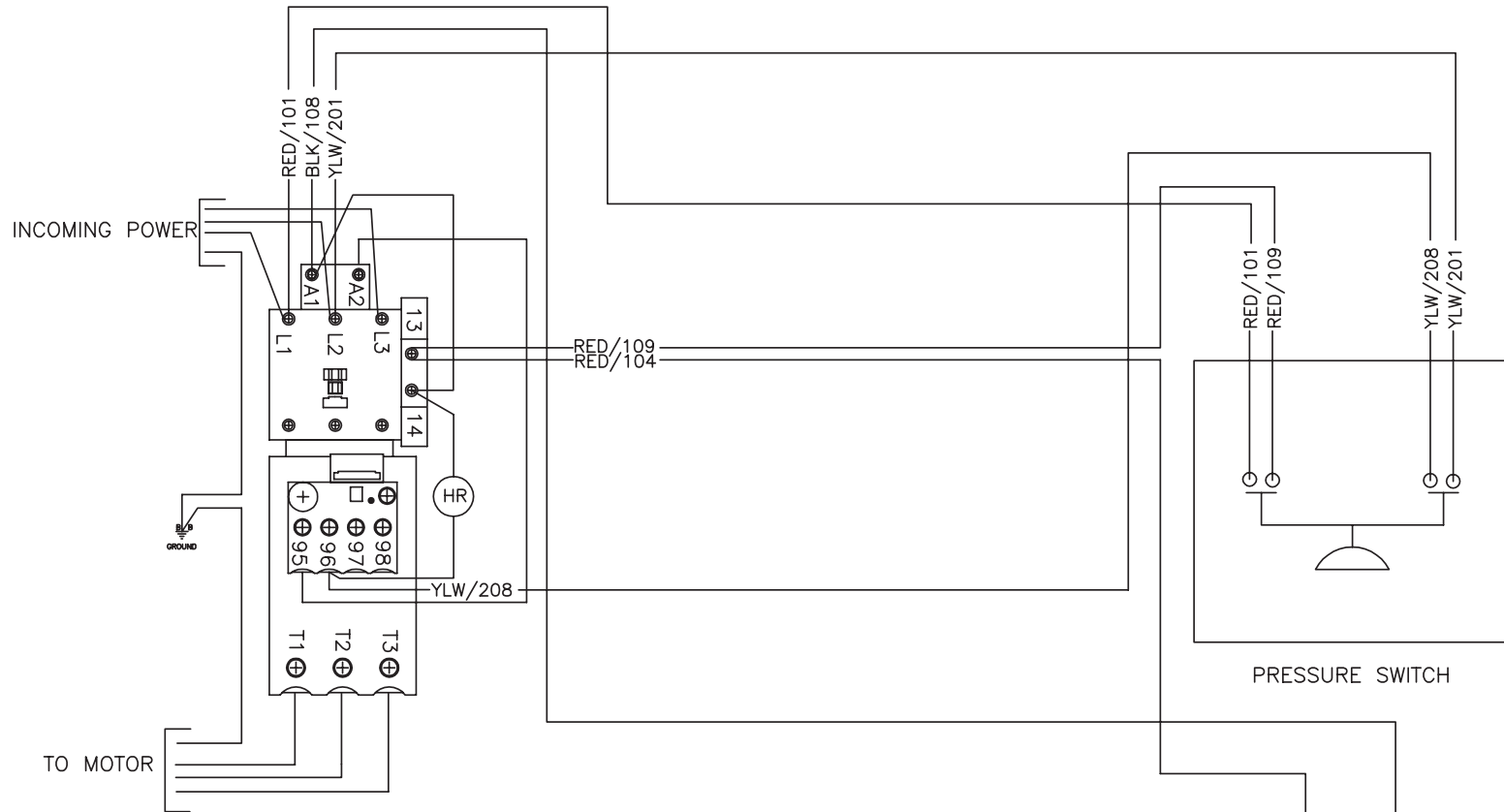
WIRING DIAGRAM DUAL CONTROL AND STARTER 200-230V
THREE PHASE 050411

WIRING SCHEMATIC LOW OIL SHUTDOWN AND STARTER (200-230V THREE PHASE)



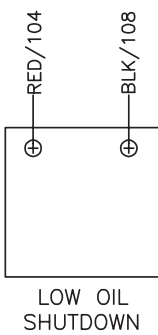
WIRING SCHEMATIC LOW OIL SHUTDOWN AND STARTER 200-230V THREE PHASE 050411

WIRING DIAGRAM LOW OIL SHUTDOWN AND STARTER (200-230V THREE PHASE)



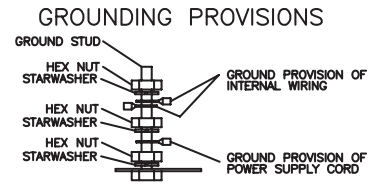
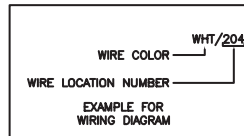
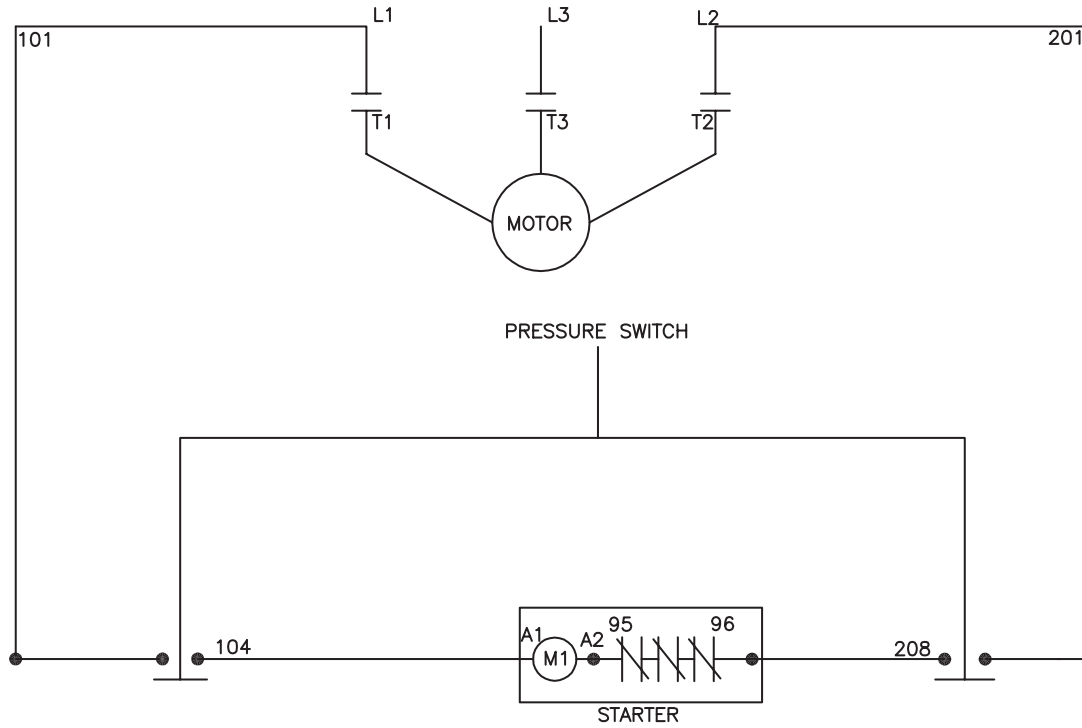
NOTES:
 1) ALL WIRES ARE 16GA UNLESS OTHERWISE SPECIFIED

WIRING INFORMATION		
HP	VOLTAGE	WIRE SIZE
5	200	12
	230	14
7.5	200	10
	230	12
10	200	8
	230	10
15	200	8
	230	8
20	200	6
	230	6
25	200	4
	230	6
30	200	4
	230	4



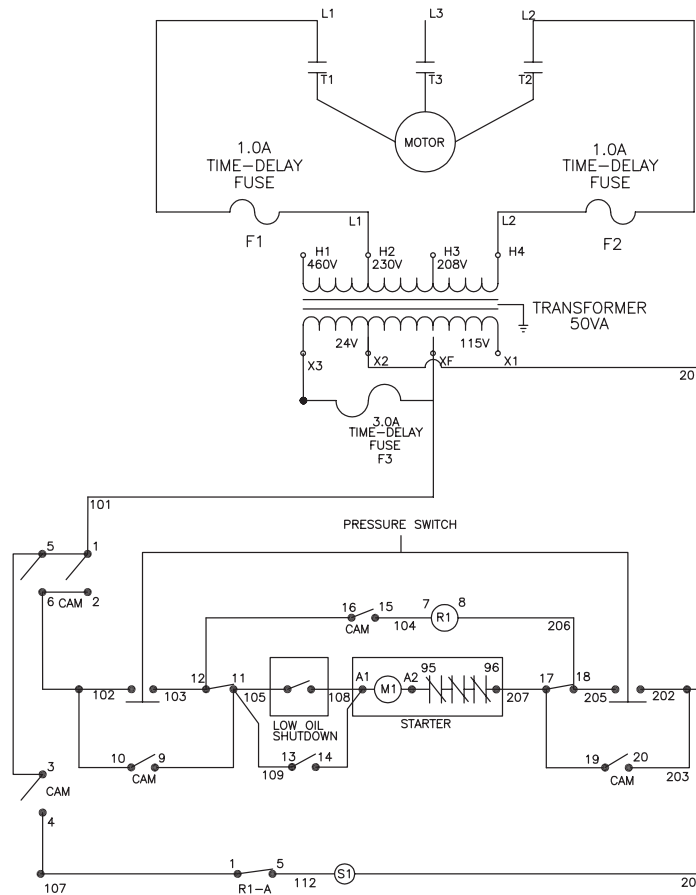
WIRING DIAGRAM LOW OIL SHUTDOWN AND STARTER 200-230V THREE PHASE 050411

WIRING SCHEMATIC STARTER (200-230V THREE PHASE)

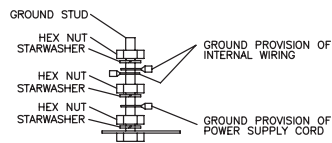


WIRING SCHEMATIC STARTER 200-230V THREE PHASE 050411

WIRING SCHEMATIC (460V THREE PHASE) M SERIES (AFTER SERIAL #20107354)

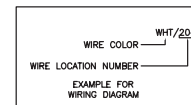


GROUNDING PROVISIONS



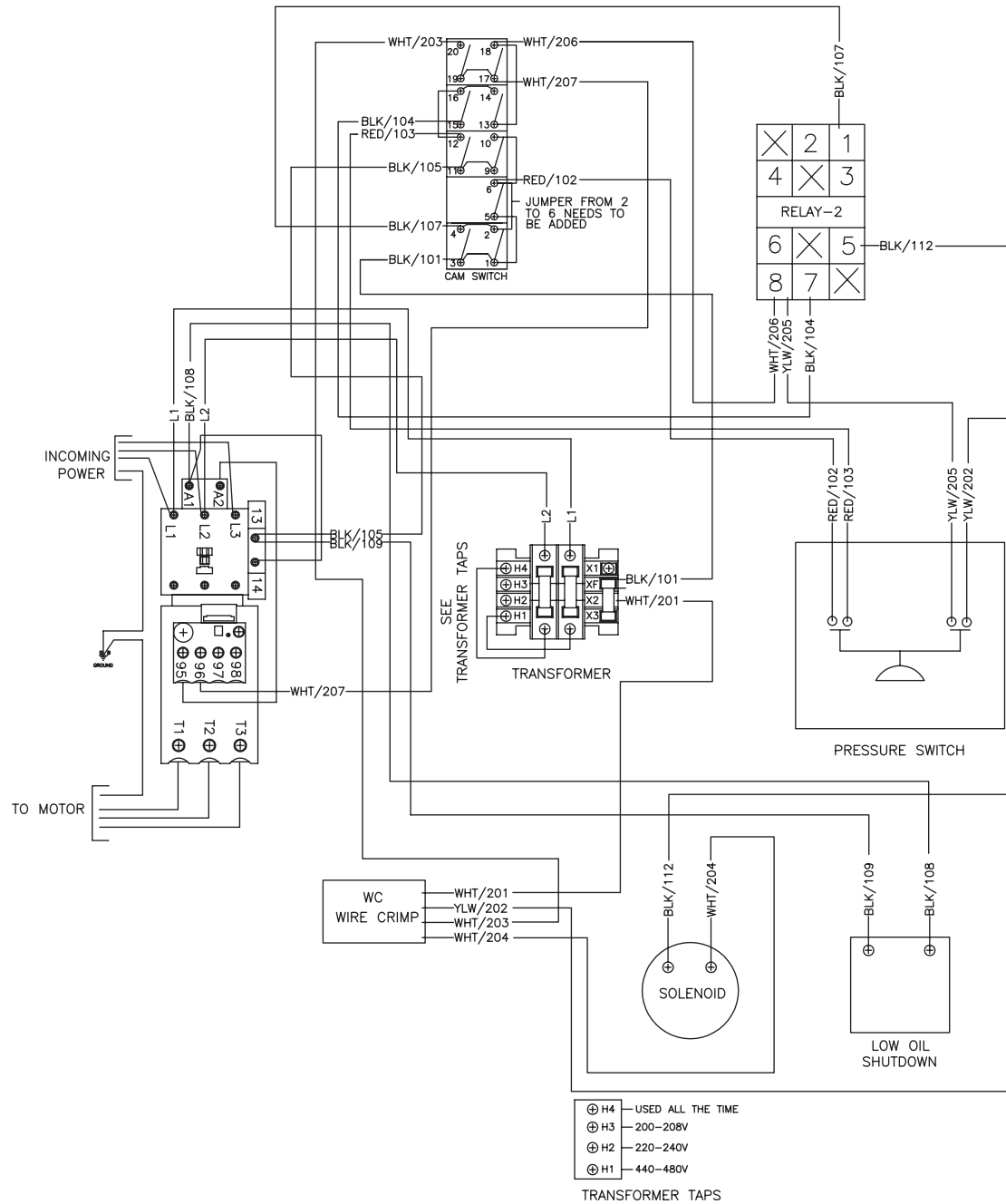
NOTES

- 1) ALL WIRES ARE 16GA UNLESS OTHERWISE SPECIFIED



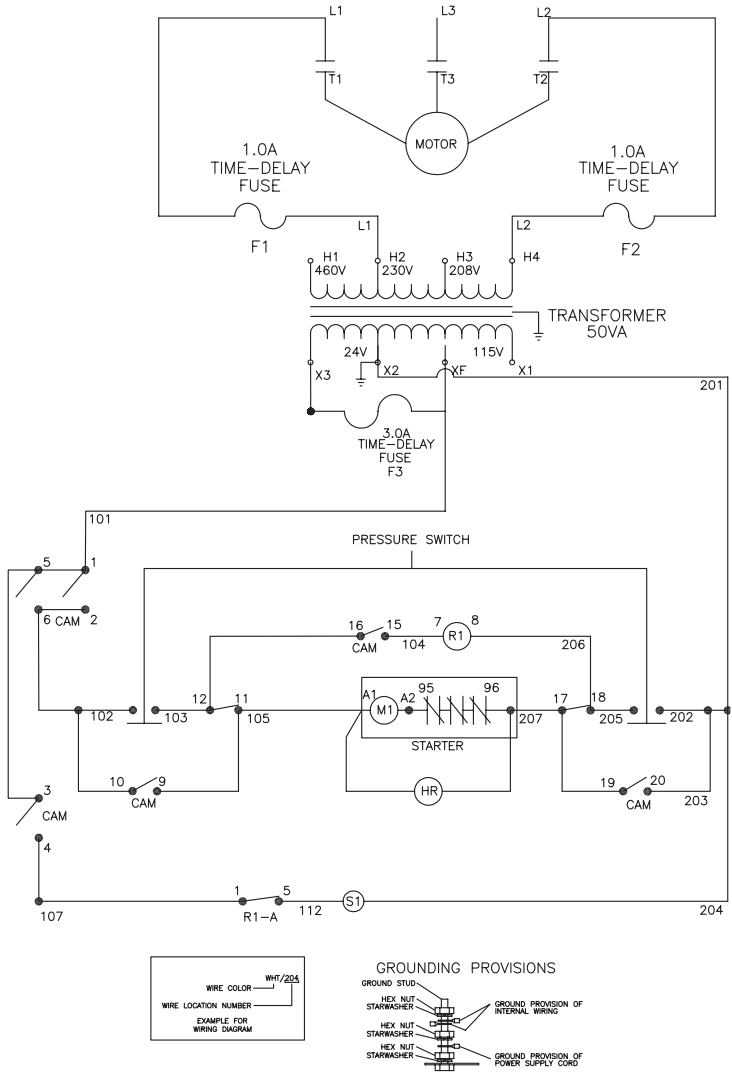
WIRING SCHEMATIC INDUSTRIAL M SERIES 460V
THREE PHASE 100509

WIRING DIAGRAM (460V THREE PHASE) M SERIES (AFTER SERIAL #20107354)



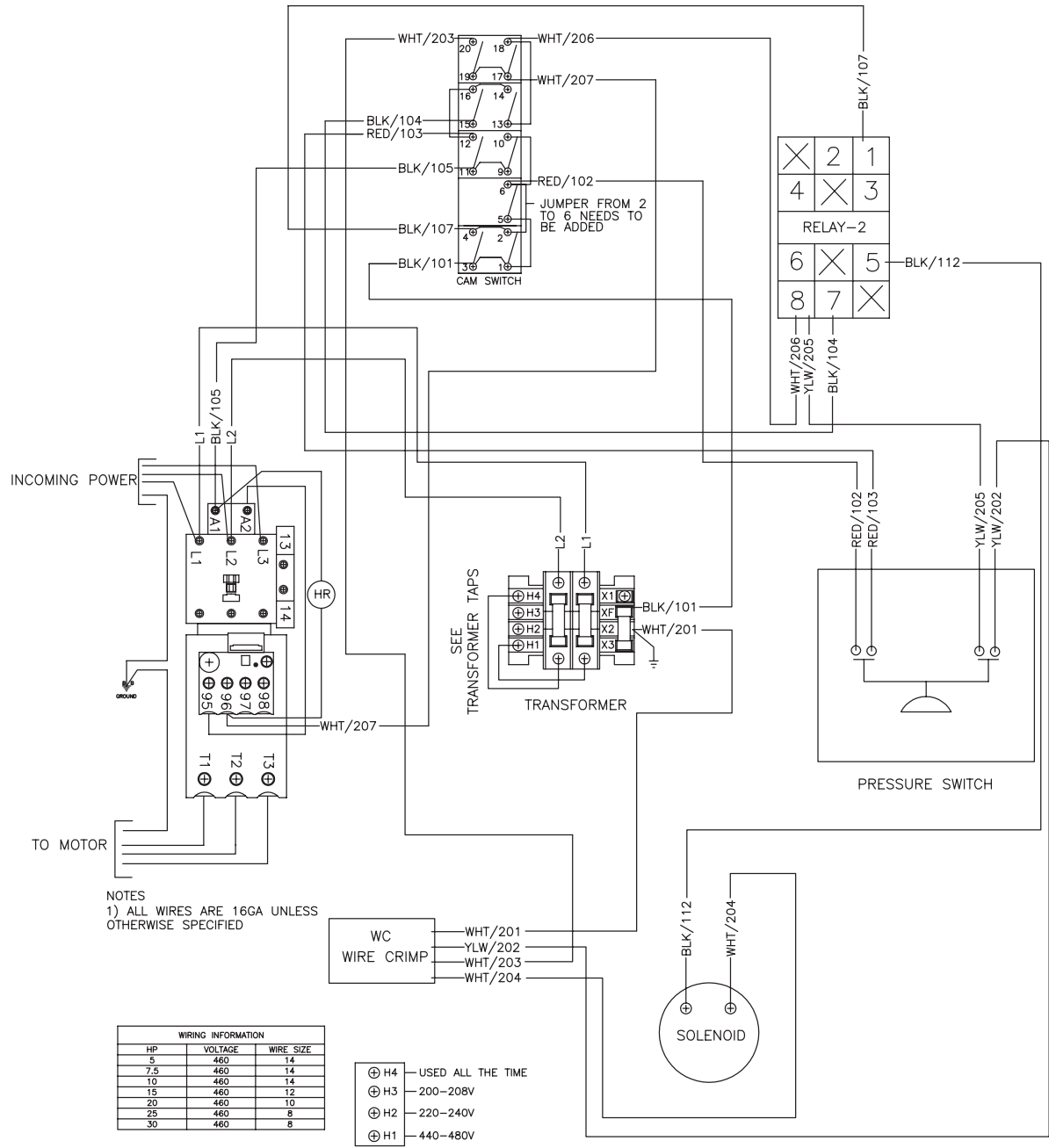
WIRING DIAGRAM INDUSTRIAL M SERIES 460V THREE PHASE 100509

WIRING SCHEMATIC DUAL CONTROL AND STARTER (460V THREE PHASE) (AFTER SERIAL #20107354)



WIRING SCHEMATIC DUAL CONTROL AND STARTER OPTION 460V THREE PHASE 050411

WIRING DIAGRAM DUAL CONTROL AND STARTER (460V THREE PHASE) (AFTER SERIAL #20107354)

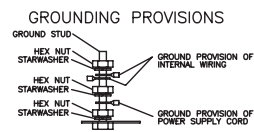
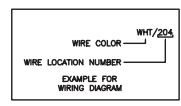
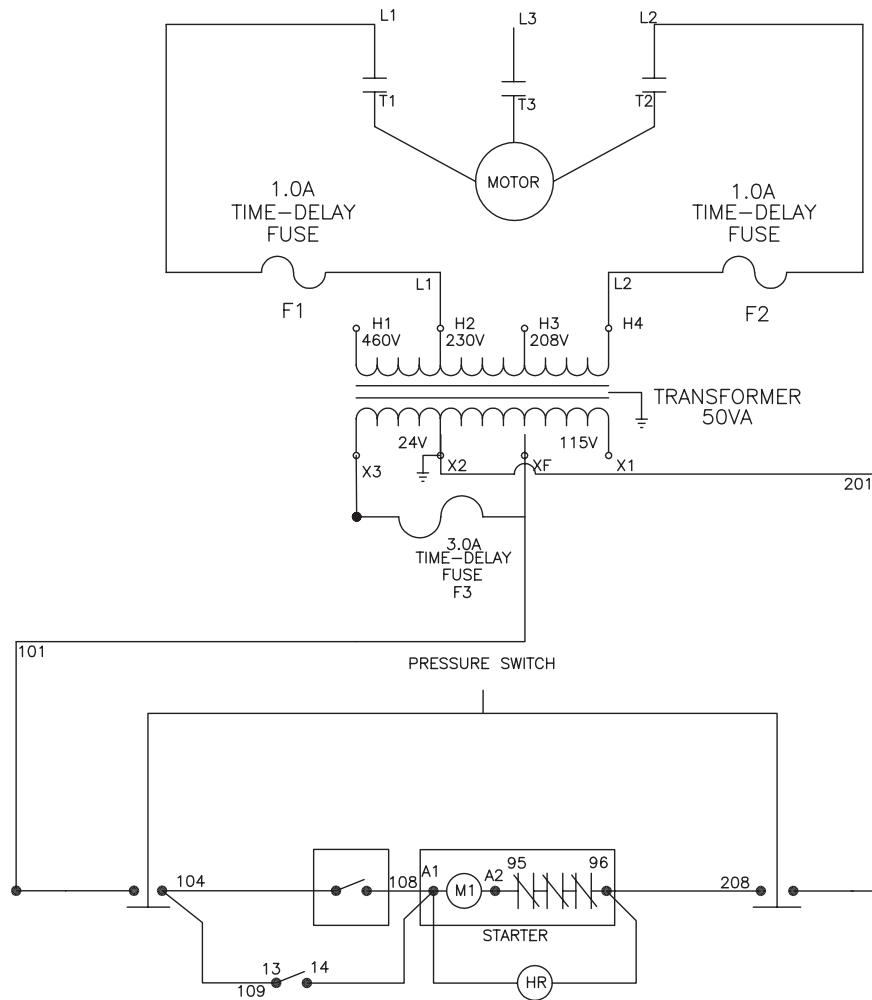


WIRING INFORMATION		
HP	VOLTAGE	WIRE SIZE
5	460	14
7.5	460	14
10	460	14
15	460	12
20	460	10
25	460	8
30	460	8

- ⊕ H4 — USED ALL THE TIME
 - ⊕ H3 — 200-208V
 - ⊕ H2 — 220-240V
 - ⊕ H1 — 440-480V
- TRANSFORMER TAPS

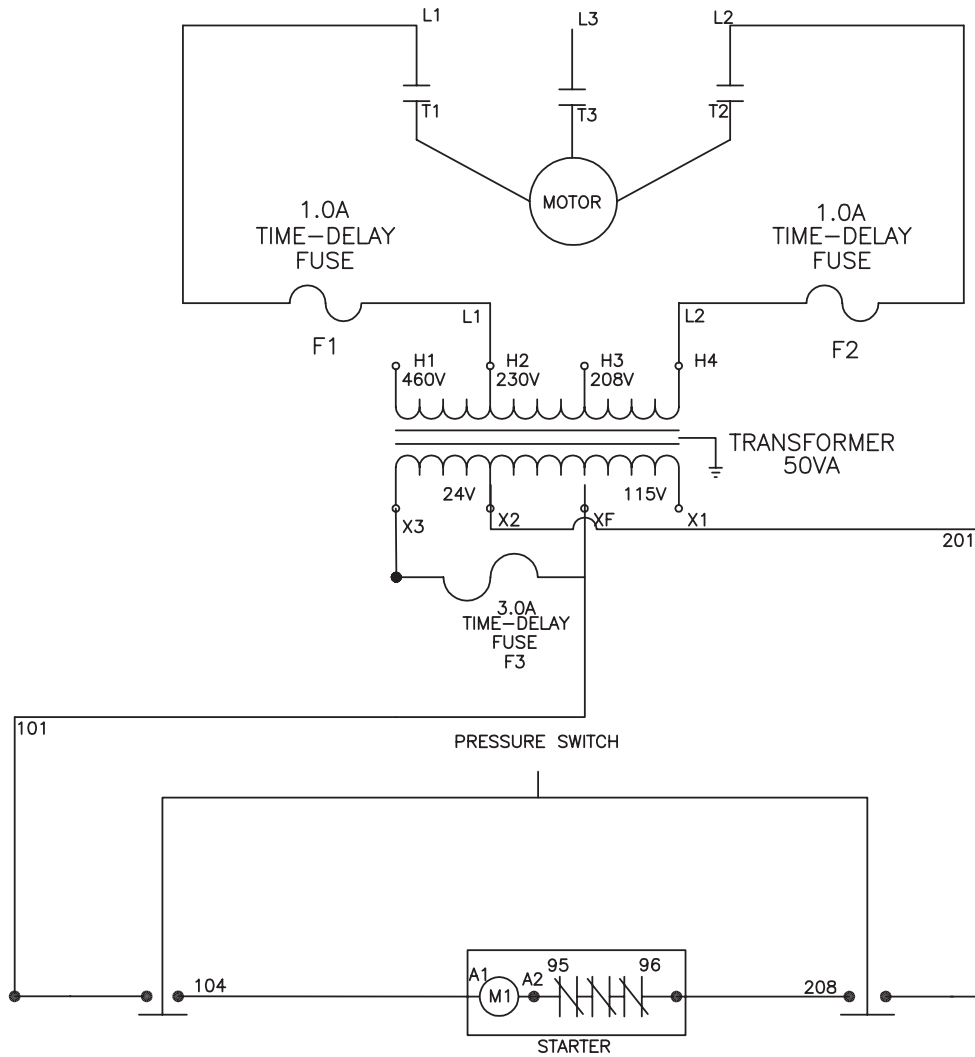
WIRING DIAGRAM DUAL CONTROL AND STARTER 460V THREE PHASE 050411

WIRING SCHEMATIC LOW OIL SHUTDOWN AND STARTER (460V THREE PHASE)

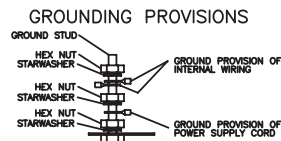
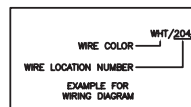


WIRING SCHEMATIC LOW OIL SHUTDOWN AND STARTER 460V THREE PHASE 050411

WIRING SCHEMATIC STARTER (460V THREE PHASE)

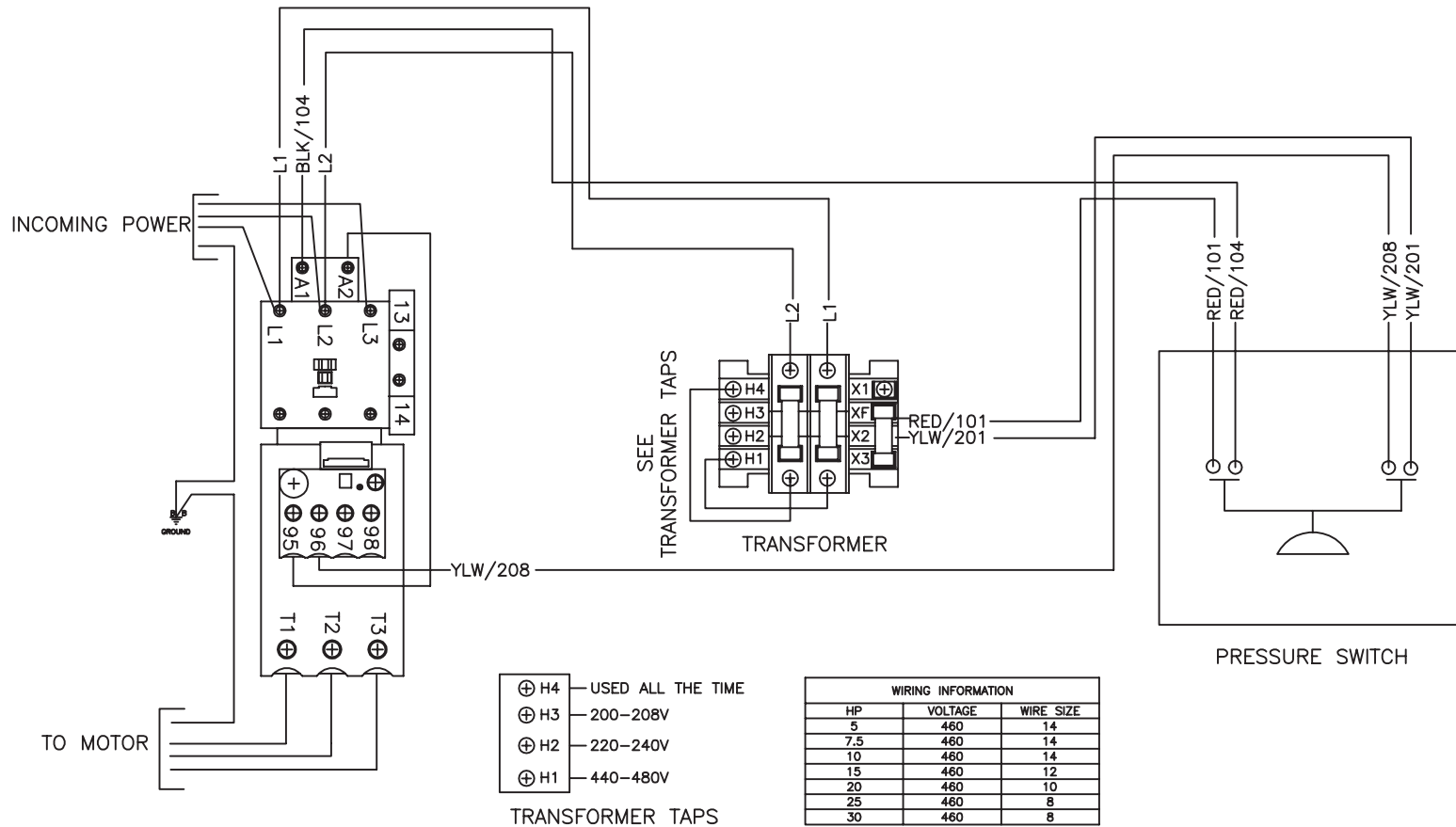


NOTES
 1) ALL WIRES ARE 16GA UNLESS OTHERWISE SPECIFIED



WIRING SCHEMATIC STARTER 460V THREE PHASE 050411

WIRING DIAGRAM STARTER (460V THREE PHASE)



WIRING DIAGRAM STARTER 460V THREE PHASE 050411

Manufactured by Mi-T-M
8650 Enterprise Drive, Peosta IA 52068
563-556-7484/ Fax 563-556-1235