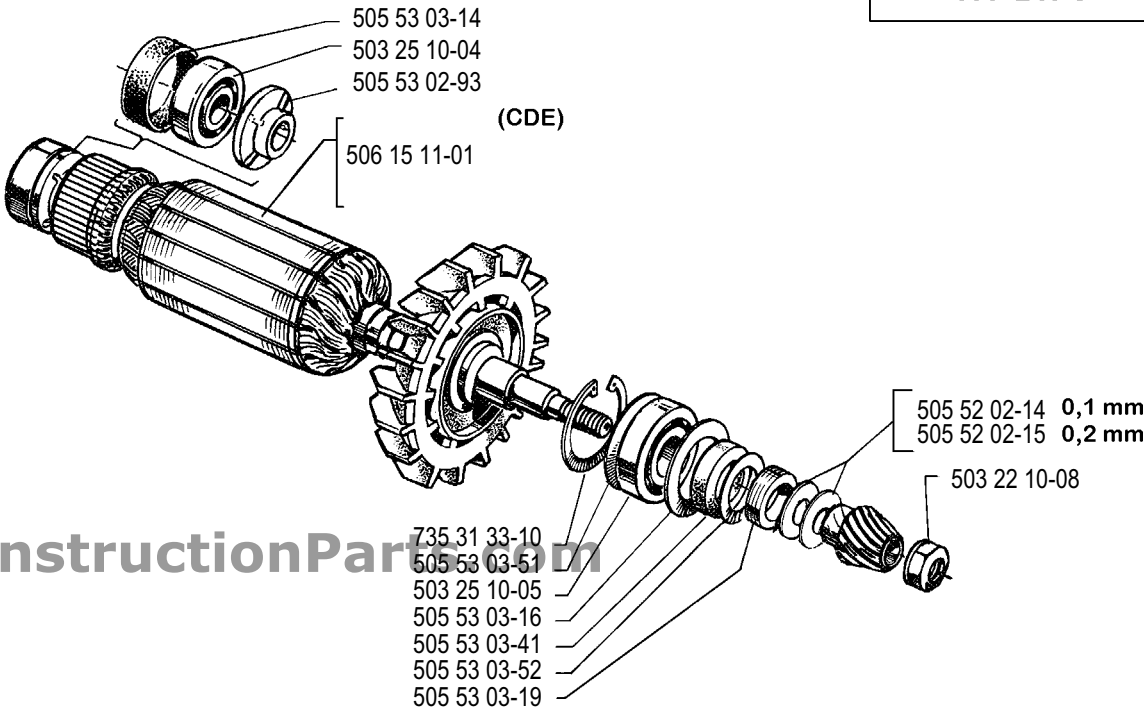
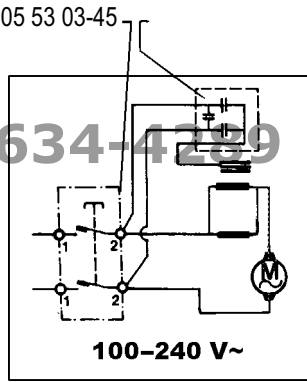


ConstructionParts.com

888-634-4289



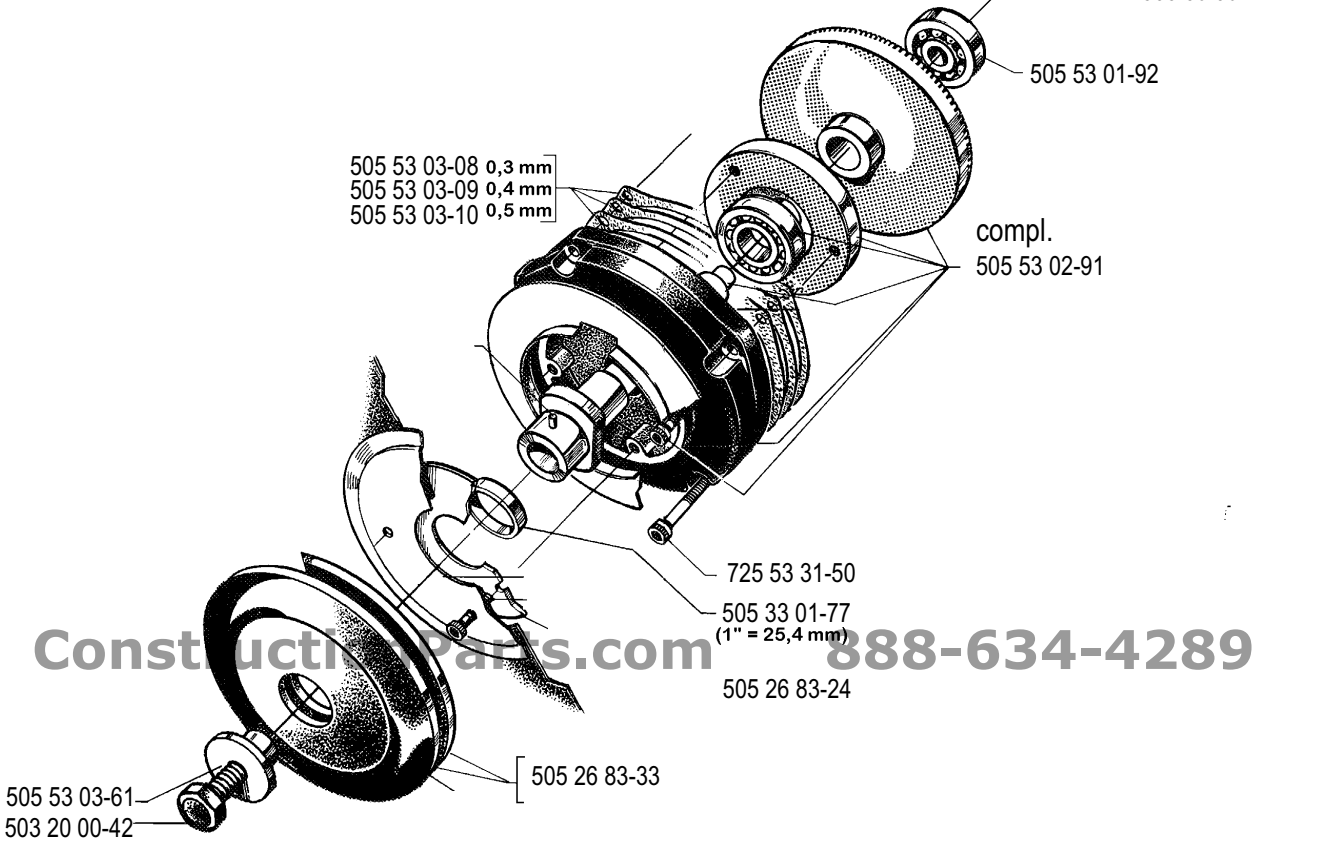
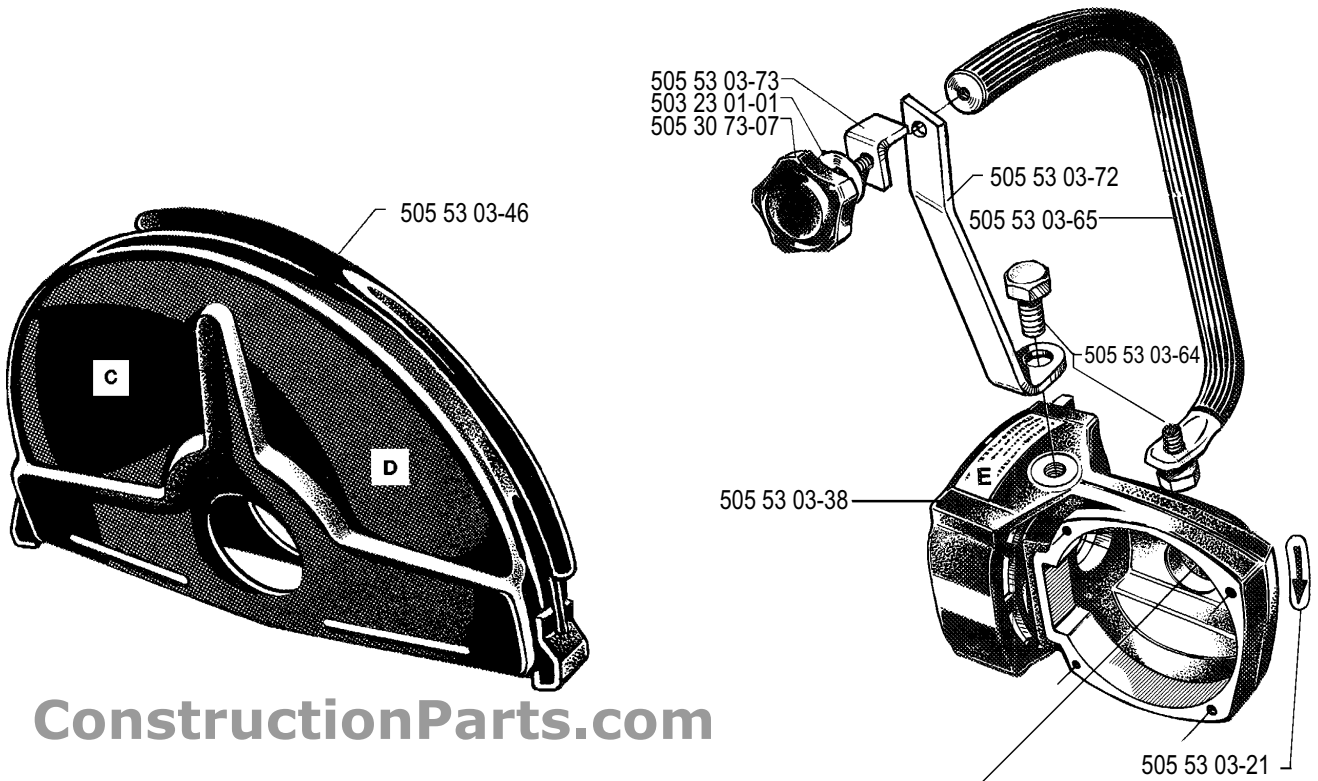
ConstructionParts.com

ConstructionParts.com

888-634-4289

ConstructionParts.com

888-634-4289



ConstructionParts.com

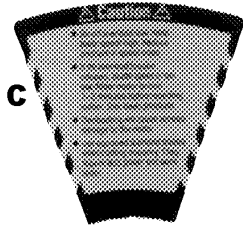
888-634-4289

**A** **PARTNER**  
**K2000ZL** 505 39 73-89

**B** **PARTNER**  
**K2000ZL**  
**WARNING**  
CUTTERS CAN BE DANGEROUS!  
FOR SAFE OPERATION FOLLOW ALL SAFETY PRECAUTIONS IN OWNERS MANUAL.

- ONLY TRAINED AND QUALIFIED PERSONNEL SHALL OPERATE THIS CUTTER
- ONLY USE HIGH SPEED REINFORCED ANVILS APPROVED FOR FREE HANDED CUTTING AND FOR THE MAXIMUM RATED RATING OF CUTTER
- BEFORE EACH USE CHECK WHEEL AND GUARD FOR ANY DAMAGE
- USE EAR EYE HEAD AND HAND PROTECTIVE SAFETY CLOTHING AND SAFETY FOOTWEAR
- KEEP ALL BYSTANDERS WELL AWAY FROM THE MACHINE
- ADJUST GUARD TO KEEP REAR SECTION IN CLOSE WORKSPACE CONTACT
- DO NOT TWIST OR JAM WHEEL IN THE CUT
- DO NOT FORCE THE MACHINE TO RUN ON WET CUTTING
- ALSO FOLLOW THE OTHER PRECAUTIONS IN THE MANUAL

505 53 03-71



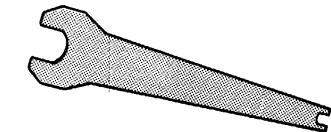
**C** 505 53 02-92



**D** 506 03 88-01



505 38 13-17



505 53 03-80

ConstructionParts.com

888-634-4289

No.	Description	No.	Description
503 20 00-42	Screw M10x50 left	506 22 58-02	Brush .250" thick
503 21 20-01	Screw	723 13 03-01	Screw
503 21 20-02	Screw	723 22 84-85	Screw 4x5
503 22 10-08	Nut left	725 52 91-55	Screw
503 23 01-01	Washer 8.4x16	725 53 31-50	Screw
503 25 10-04	Ball bearing	732 21 14-01	Locknut
503 25 10-05	Ball bearing	735 11 36-50	Spring washer
505 26 83-24	Support flange	735 11 46-50	Spring washer
505 26 83-33	Flange washer	735 31 33-10	Retaining ring
505 26 83-34	Flange washer		
505 30 73-07	Lock knob		
505 33 01-77	Sleeve 7/8" - 1"		
505 38 13-17	Socket wrench 8-17		
505 39 73-89	Decal		
505 52 02-03	Field coil		
505 52 02-09	Motor casing		
505 52 02-14	.1 mm shim		
505 52 02-15	.2 mm shim		
505 52 02-16	Grounding tube		
505 53 01-92	Ball bearing		
505 53 01-92	Ball bearing		
505 53 02-91	Gear set compl 5000 rpm		
505 53 02-92	Decal		
505 53 02-93	Protection sleeve		
505 53 03-03	Cable protector		
505 53 03-05	Cable clamp		
505 53 03-07	Air guide		
505 53 03-08	Gasket		
505 53 03-09	Gasket		
505 53 03-10	Gasket		
505 53 03-11	Screw		
505 53 03-14	Rubber bushing		
505 53 03-15	Screw		
505 53 03-16	Spacer		
505 53 03-17	Plate		
505 53 03-19	Spacer		
505 53 03-24	Inspection cover		
505 53 03-38	Gear housing		
505 53 03-41	Felt joint		
505 53 03-45	Power switch		
505 53 03-46	Guard 12"		
505 53 03-51	Spring washer		
505 53 03-52	Spacer		
505 53 03-56	Power cord		
505 53 03-61	Hub		
505 53 03-64	Screw		
505 53 03-65	Tubular handle		
505 53 03-70	Pin		
505 53 03-71	Warning decal		
505 53 03-72	Front handle bracket		
505 53 03-73	Clamp		
505 53 03-80	Wrench		
505 53 03-80	Inspection cover I		
506 03 88-01	Warning label		
506 14 24-01	Label		
506 15 07-01	Handle left		
506 15 08-01	Handle right		
506 15 11-01	Armature 120 V		
506 22 57-02	Brush holder Cpl. with brush		
506 22 58-01	Brush .325" thick		