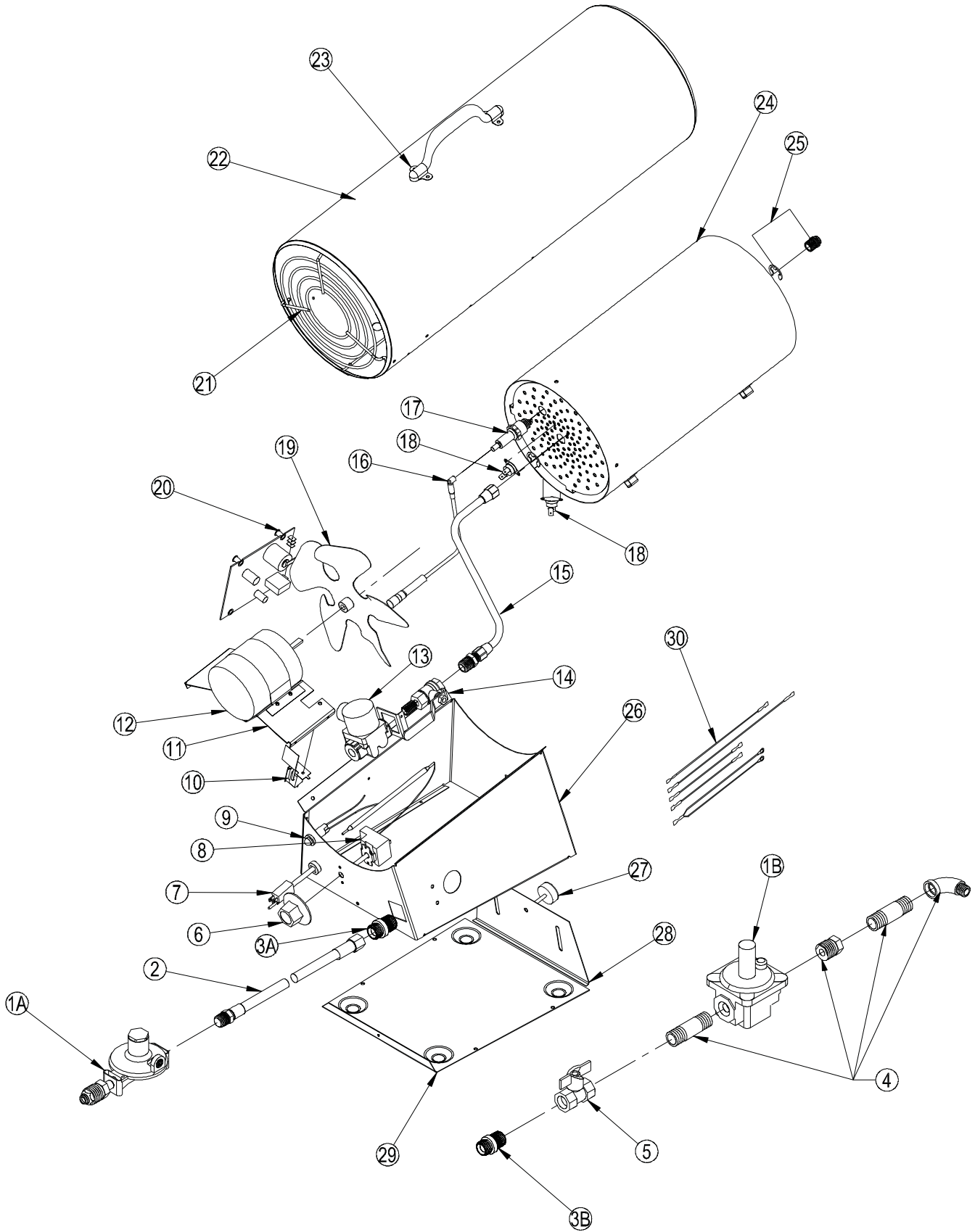


Parts Identification

PARTS SCHEMATIC



PARTS LIST

Item	Description	Part Number	
		Tradesman 170	Tradesman 170 ULTRA
1A	Regulator with POL (Propane Gas)		21856
1B	Regulator (Natural Gas)		06713
2	Hose, Fixed X Swivel, 3/8 in. x 10 ft. (Propane gas)		21841
	Hose, Fixed X Swivel, 1/2 in. x 10 ft. (Natural gas) Accessory		20504
3A	Adaptor, Hose, 3/8 in. (Propane Gas)		572517
3B	Adaptor, Hose, 1/2 in. (Natural Gas) Accessory		25873
4	Nipples,bushing, and ell		572535
5	Manual shut off valve		571173
6	Knob, thermostat		572514
7	Power cord		571356
8	Thermostat w/knob		571119
9	Lens, LED	—	571333
10	Air proving switch		06739
11	Motor mount w/strap		572516
12	Motor		571229
13	Gas control valve with bracket		572520
14	Variable rate valve with nipple		572519
15	Manifold tube with fittings		572518
16	Ignition cable, high voltage		571263
17	Igniter with nut		07160
18	Auto reset limit switch		572515
19	Fan blade		571238
20	Ignition control		571344
21	Fan guard		572521
22	Barrel assembly with fan guard	572523	572524
23	Handle assembly with screws		572522
24	Combustion chamber with limit switches, orifice, and igniter		
	(Propane gas)		572525
	(Natural gas)		572526
25	Burner orifice with retaining clips		572527
	(Natural gas)		572528
26	Case assembly, lower, with base, with leg and knob		
	(Propane gas)	572513	572531
	(Natural gas)	572530	572532
27	Knob, height adjustment		572529
28	Leg, with adjustment knob		572536
29	Base	572533	572534
30	Wiring harness		572557