

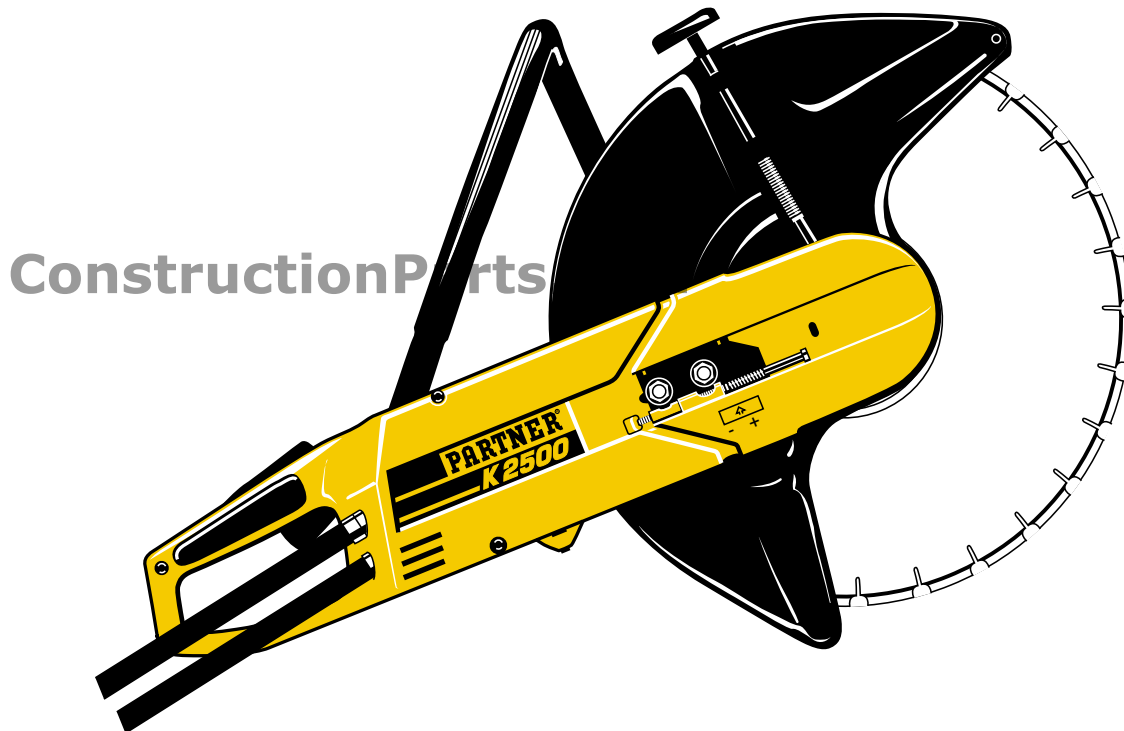
PARTNER

888-634-4289

Illustrated Parts List 2000-05 CD

K 2500

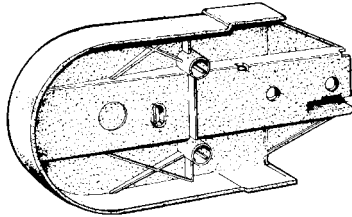
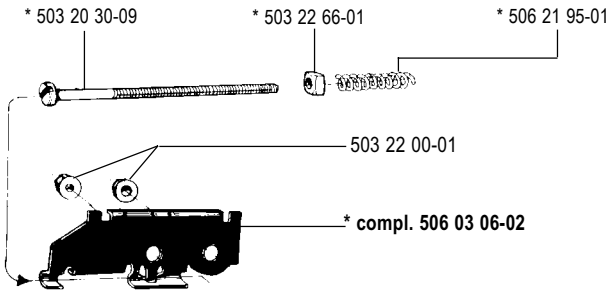
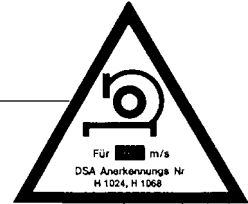
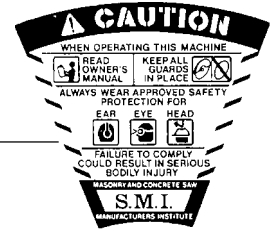
1993-2000



108 30 00-70

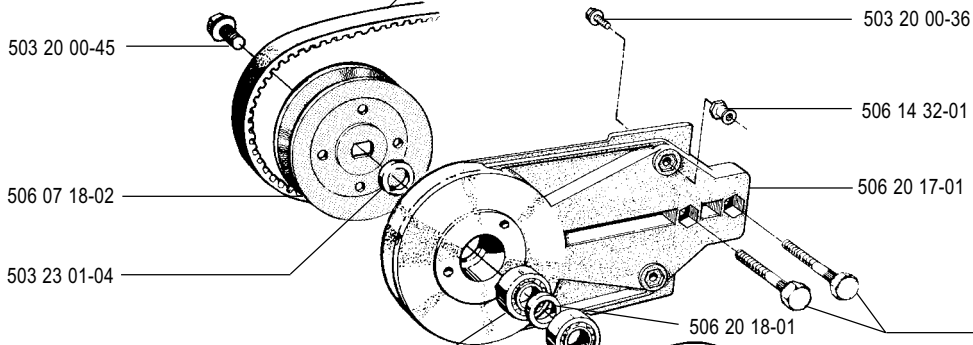
ConstructionParts.com

888-634-4289 **PARTNER**[®]



506 09 87-01
506 07 05-06

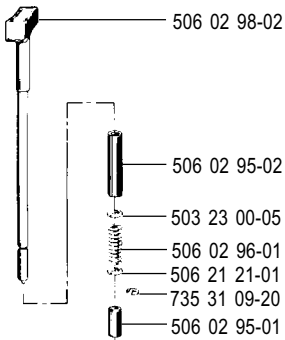
506 20 42-02



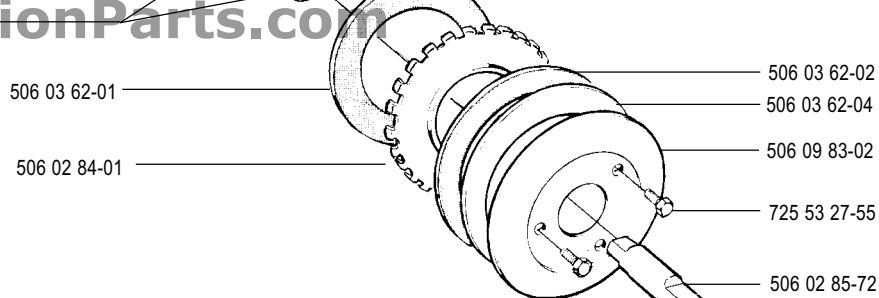
503 20 00-45
506 07 18-02
503 23 01-04

503 20 00-36
506 14 32-01
506 20 17-01
506 20 18-01
506 03 32-02

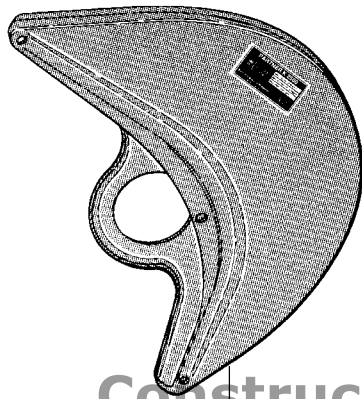
ConstructionParts.com



506 02 98-02
506 02 95-02
503 23 00-05
506 02 96-01
506 21 21-01
735 31 09-20
506 02 95-01



506 03 62-01
506 02 84-01
506 03 62-02
506 03 62-04
506 09 83-02
725 53 27-55
506 02 85-72



compl. 16" 506 13 83-01

506 03 46-44 Ø 22,2

PARTNER K 2500	
490 (16")	22,2 (7/8")
Max. 140 bar (2030 psi)	Max. 42 l/min (11.0 USgpm)
Partner Industrial Products	Made in Sweden

506 03 46-45 Ø 20 mm

PARTNER K 2500	
490 (16")	20
Max. 140 bar (2030 psi)	Max. 42 l/min (11.0 USgpm)
Partner Industrial Products	Made in Sweden

506 03 46-46 Ø 1"

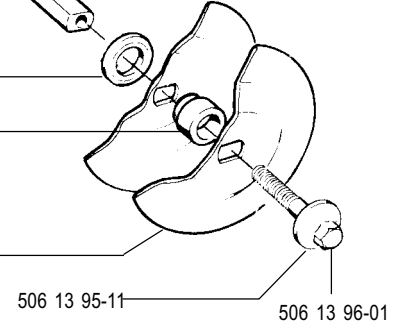
PARTNER K 2500	
490 (16")	25,4 (1")
Max. 140 bar (2030 psi)	Max. 42 l/min (11.0 USgpm)
Partner Industrial Products	Made in Sweden

506 03 46-47 Ø 30.5 mm

PARTNER K 2500	
490 (16")	30,5
Max. 140 bar (2030 psi)	Max. 42 l/min (11.0 USgpm)
Partner Industrial Products	Made in Sweden

506 20 27-01
506 03 95-20 Ø 20 mm
506 03 95-22 Ø 22.2 7/8"
506 03 95 25 Ø 25.4 1"
506 02 88-30 Ø 30.5mm

506 02 87-01 Ø105
506 07 09-01 Ø119



506 13 95-11
506 13 96-01

ConstructionParts.com

506 13 79-01



725 53 41-55

725 53 27-55

506 20 16-01

503 21 28-10

506 20 34-01

506 20 33-01

720 13 10-00

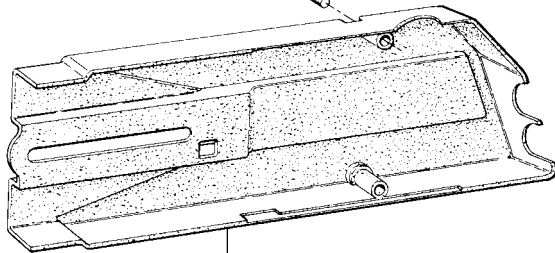
506 01 45-05

506 21 63-01

K2500

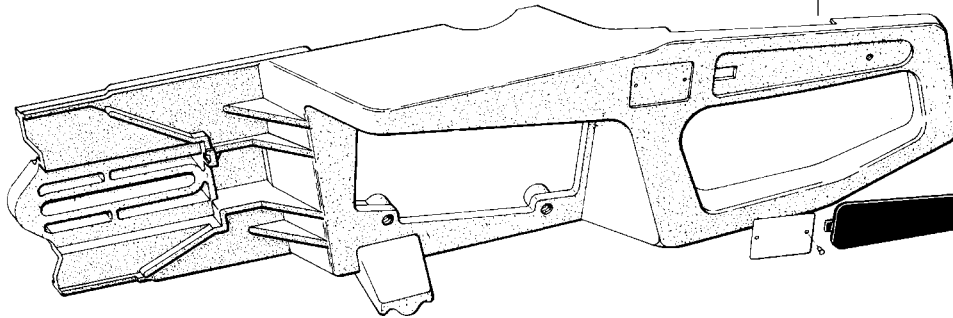
503 20 02-40

Note: After servicing the hydraulic motor it may be necessary to adjust the linkage between the trigger and the hydraulic motor for proper performance. Contact Partner for procedure.



506 20 36-01

506 20 28-01
ConstructionParts.com



501 62 89-03

724 32 19-05

506 20 29-01

503 20 02-16

503 22 65-04

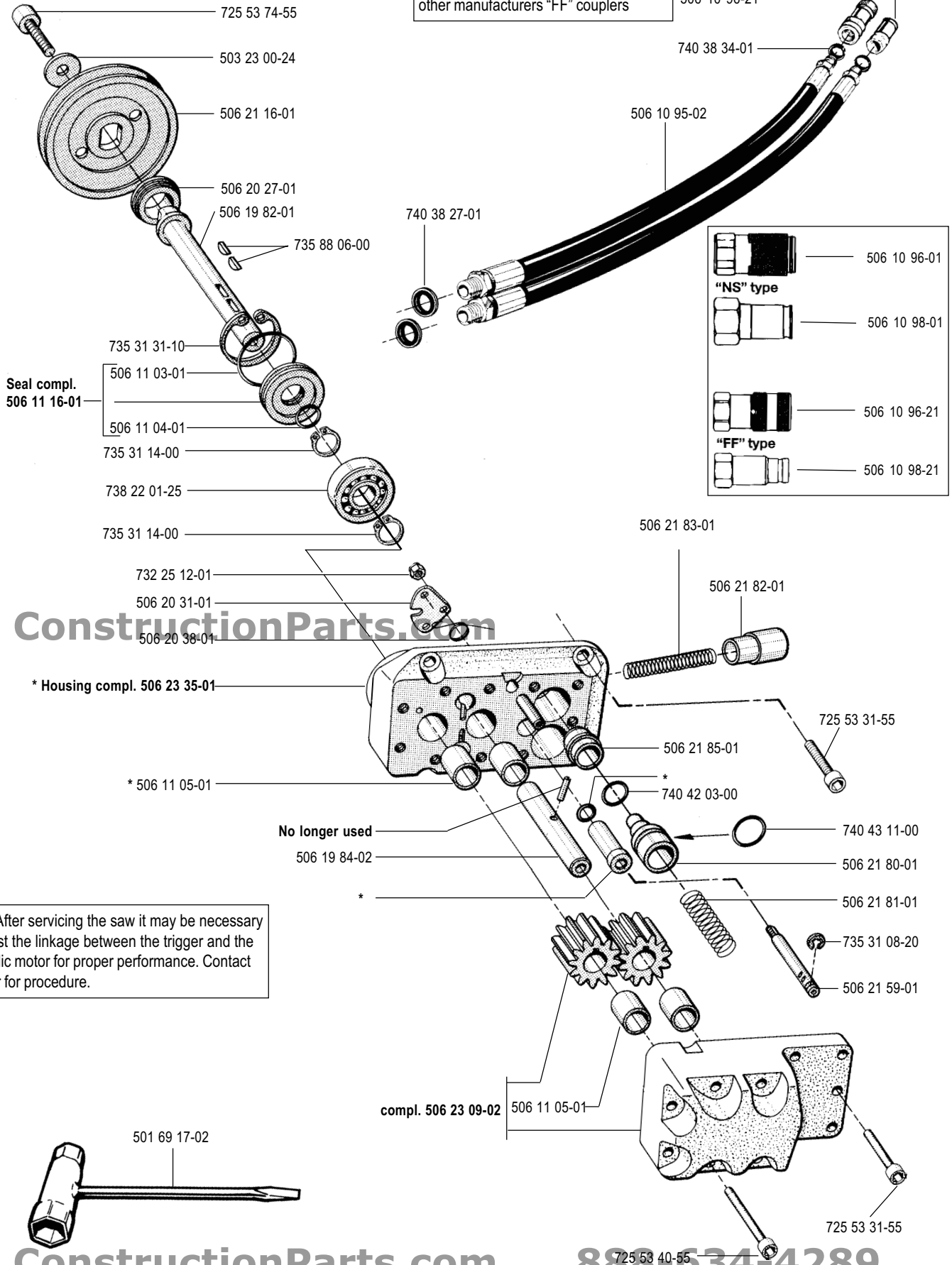
ConstructionParts.com

503 20 02-16

C

Hydraulic motor compl. 506 19 87-02

Note: The "Flat Face" hydraulic couplers used on the K2500 are compatible with other manufacturers "FF" couplers



Seal compl. 506 11 16-01

Note: After servicing the saw it may be necessary to adjust the linkage between the trigger and the hydraulic motor for proper performance. Contact Partner for procedure.

No.	Pos.	Description	No.	Pos.	Description
501 62 89-03	B	Handle cover	506 13 95-11	A	Washer
501 69 17-02	D	Wrench 13/19	506 13 96-01	A	Flange screw M8x37
503 20 00-36	A	Screw M5x14	506 14 32-01	A	Catch
503 20 00-45	A	Screw M8x16	506 19 82-01	C	Drive shaft
503 20 02-16	B	Screw M5x16	506 19 84-02	C	Shaft L = 56
503 20 02-40	B	Screw M5x40	506 19 87-02	C	Hydraulic motor
503 20 30-09	A	Screw M6x120	506 20 16-01	B	Handle half
503 21 28-10	B	Screw B6x9,5	506 20 17-01	A	Bearing housing
503 22 00-01	A	Flangenut M8	506 20 18-01	A	Spacer
503 22 65-04	B	Nut, square M5	506 20 27-01	A, C	Flange washer
503 22 66-01	A	Nut, square M6	506 20 28-01	B	Belt cover, rear
503 23 00-05	A	Washer	506 20 29-01	B	Front handle
503 23 00-24	C	Washer 6,4x18	506 20 31-01	C	Lever
503 23 01-04	A	Washer 15x21	506 20 33-01	B	Push rod
503 25 21-01	A	Ball bearing 6202 2RS	506 20 34-01	B	Trigger
506 01 45-05	B	Trigger catch	506 20 36-01	B	Chassis
506 02 84-01	A	Tooth washer	506 20 38-01	C	Spring
506 02 85-72	A	Shaft L = 72	506 20 42-02	A	Label DSA
506 02 87-01	A	Flange washer Ø 105	506 21 16-01	C	Belt pulley Ø 73,5
506 02 88-30	A	Bushing Ø 30.5mm	506 21 21-01	A	Washer
506 02 95-01	A	Hose	506 21 59-01	C	Valve spindle
506 02 95-02	A	Hose	506 21 60-01	C	Valve sleeve
506 02 96-01	A	Spring	506 21 63-01	B	Label K2500
506 02 98-02	A	Control knob	506 21 80-01	C	Valve
506 03 06-02	A	Belt adjuster	506 21 81-01	C	Spring, valve
506 03 32-02	A	Screw M8x37	506 21 82-01	C	Plunge
506 03 46-44	A	Plate Ø 22,2	506 21 83-01	C	Spring, plunge
506 03 46-45	A	Plate Ø 20	506 21 85-01	C	Valve seat
506 03 46-46	A	Plate Ø 1"	506 21 95-01	A	Spring, belt
506 03 46-47	A	Plate 30,5	506 23 09-02	C	Cover, motor cpl
506 03 62-01	A	Spacer (rubber)	506 23 35-01	C	Housing
506 03 62-02	A	Spacer (rubber)	720 13 10-00	B	Pin 5x20
506 03 62-04	A	Spacer (plastic)	724 32 19-05	B	Screw MFX 3x5
506 03 88-01	A	Label SMI	725 53 27-55	A,B	Screw M5x12
506 03 95-20	A	Bushing Ø 20mm	725 53 31-55	C	Screw M5x20
506 03 95-22	A	Bushing Ø 22.2mm 7/8"	725 53 40-55	C	Scxrew M5x45
506 03 95-25	A	Bushing Ø 25.4mm 1"	725 53 41-55	B	Screw M5x50
506 07 05-06	A	V-belt SPZ 787	725 53 74-55	C	Screw M6x30
506 07 09-01	A	Flange washer Ø 119	732 25 12-01	C	Nut M4 Nyloc
506 07 18-02	A	Belt pulley Ø 98	735 31 08-20	C	E-ring 4
506 09 83-02	A	Washer	735 31 09-20	A	E-ring 5
506 09 87-01	A	Belt cover	735 31 14-00	C	Snap ring SGA 12
506 10 95-02	C	Hydraulic hose	735 31 31-10	C	Retaining ring
506 10 96-21	C	Coupler FF, female	735 88 06-00	C	Woodruff key
506 10 98-21	C	Coupler FF, male	738 22 01-25	C	Ball bearing 12/32x10
506 11 03-01	C	O-ring	740 38 27-01	C	Sealing washer 1/4"
506 11 04-01	C	O-ring	740 38 34-01	C	Sealing washer 3/8"
506 11 05-01	C	Bearing	740 42 03-00	C	O-ring 5,1x1,6
506 11 16-01	C	Seal cpl.	740 43 11-00	C	O-ring 13,3x2,4
506 13 79-01	B	Label			
506 13 83-01	A	Guard 16"			