

PARTS MANUAL



Mikasa **SERIES**
MODEL MVH508DZ
REVERSIBLE PLATE COMPACTOR
(HATZ 1D81S-325 DIESEL ENGINE)

Revision #9 (10/05/20)

THIS MANUAL MUST ACCOMPANY THE EQUIPMENT AT ALL TIMES.

TABLE OF CONTENTS

MVH508DZ Reversible Plate Compactor

Explanation Of Code In Remarks Column.....	4
Suggested Spare Parts	5

Compactor Component Drawings

Nameplate And Decals Assembly	6-7
Vibrating Plate Assembly.....	8-9
Vibrator Assembly	10-11
Base And Engine Assembly	12-15
Electric Device Assembly	16-19
Control Assembly	20-23
Hydraulic Hand Pump Assembly	24-25

Hatz 1D81S Engine Component Drawings

Spare Parts Kit Assembly.....	26-27
Accessories Assembly.....	28-29
Crankcase 1 Assembly.....	30-31
Crankcase 2 Assembly.....	32-33
Crankshaft Bearing Flange Assembly	34-35
Camshaft Assembly.....	36-37
Piston Assembly	38-39
Cylinder Head Assembly	40-43
Pushrod, Flywheel Assembly	44-45
Oil Pump, Governor Assembly	46-47
Timing Cover Assembly.....	48-49
Fuel Pump Assembly.....	50-51
Air Ducting Assembly	52-53
Speed Control Assembly	54-55
Fuel Tank Assembly.....	56-57
Air Filter Assembly.....	58-59
Muffler Assembly	60-61
Starting Handle Assembly	62-63
Starting Motor Assembly	64-65
Spec. Equipment Assembly.....	66-67

NOTICE

Specifications and part numbers are subject to change without notice.

SUGGESTED SPARE PARTS

MVH508DZ PLATE COMPACTOR WITH 1D81S-325 DIESEL ENGINE

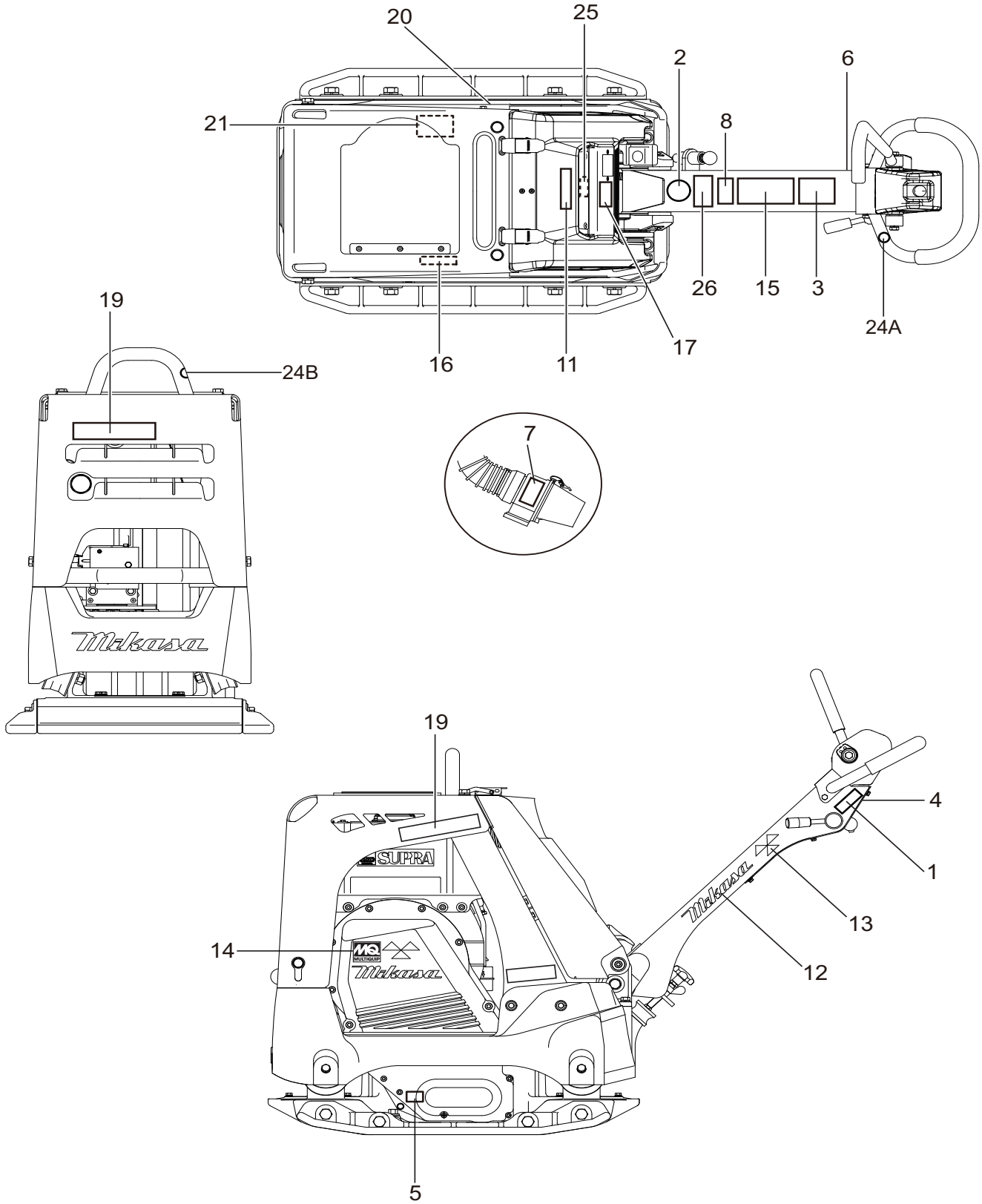
1 to 5 units

Qty.	P/N	Description
4070200483.....	V-BELT
4939010010.....	SHOCK ABSORBER, STOPPER
350478800.....	FUEL FILTER, IN-LINE
4939010370.....	SHOCK ABSORBER
150384401.....	IGNITION SWITCH
350404900.....	KEY, IGNITION SWITCH
150385801.....	CAP, FUEL TANK
150387300.....	FUEL SIEVE
301493000.....	ELEMENT, AIR FILTER
301480001.....	ELEMENT, OIL FILTER W/ O-RING
150272201.....	OIL PRESSURE SWITCH

NOTICE

Part numbers on this Suggested Spare Parts list may supersede/replace the part numbers shown in the following parts lists.

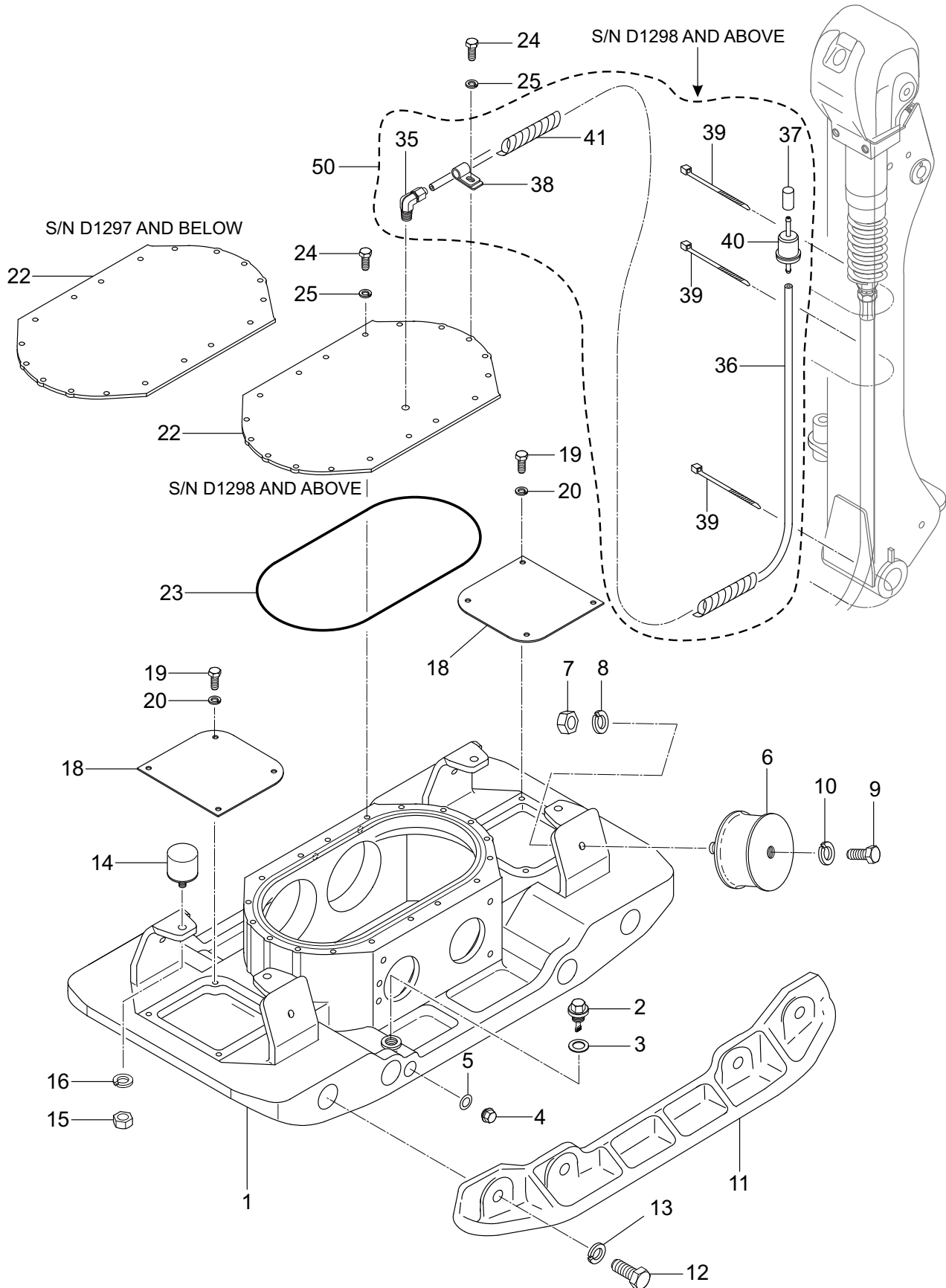
NAMEPLATE AND DECALS ASSY.



NAMEPLATE AND DECALS ASSY.

<u>NO.</u>	<u>PART NO.</u>	<u>PART NAME</u>	<u>QTY.</u>	<u>REMARKS</u>
1	920204580	DECAL, FULL THROTTLE	1	
2	920203330	DECAL, EAR PROTECTION	1	
3	920211060	DECAL, CAUTION LEVER	1	
4	920211090	DECAL, SHELL TELLUS OIL 32	1	
5	920201950	DECAL, OIL SAE 10W-30	1	
6	920106760	DECAL, STOP-RUN-START	1	
7	920214200	DECAL, CAUTION CYCLONE	1	
8	920214100	DECAL, E/G FIRE WARNING	1	
12	920217130	DECAL, MIKASA MARK(W) 200L	2	
13	920217110	DECAL, MIKASA MARK 35X70	2	
14	920201580	DECAL, MQ MARK 71X55	1	
15	920218390	DECAL, CAUTION	1	
16	920217700	DECAL, V-BELT HDPF-5480	1	
17	920218150	DECAL, E/G RPM 2400	1	
19	920217810	DECAL, MODEL (R)	2	
20	920217820	DECAL, MODEL (L)	1	
21		PLATE, SERIAL NO.	1	
24A	920900090	DECAL, SET, DO NOT LIFT	1	
24B	920900090	DECAL, SET, LIFTING POSITION	1	
25	920217890	DECAL, MODEL MVH-508	1	
26	920222240	DECAL, WARNING PROPOSITION 65	1	

VIBRATING PLATE ASSY.



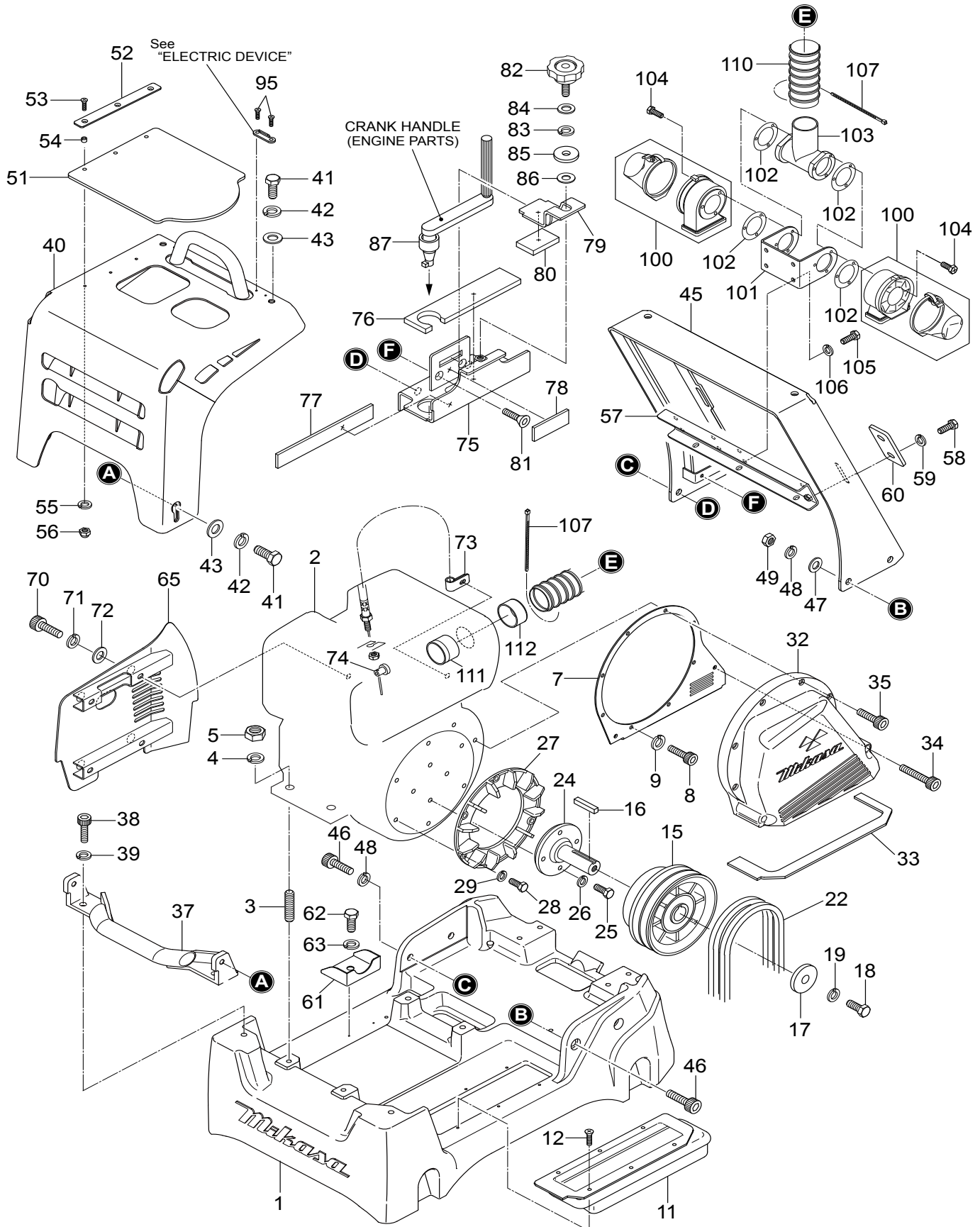
VIBRATING PLATE ASSY.

<u>NO.</u>	<u>PART NO.</u>	<u>PART NAME</u>	<u>QTY.</u>	<u>REMARKS</u>
1	468121201	VIBRATING PLATE	1	
2	465460670	OIL GAUGE	1	
3	953402930	COPPER PACKING	1	
4	953400270	PLUG	1	
5	953405260	PACKING 1/4	1	
6	939010392	SHOCK ABSORBER	4	
7	020316130	NUT M16	4	
8	030216400	WASHER, LOCK M16	4	
9	001221635	BOLT 16X35	4	
10	030216400	WASHER, LOCK M16	4	
11	467219050	EXTENSION PLATE	2	
12	012218050	BOLT 18X50	8.....	REPLACES P/N 001221850
13	58407	WASHER, LOCK M18	8.....	REPLACES P/N 030218460
14	939010010	SHOCK ABSORBER, STOPPER	4	
15	020310080	NUT M10	4	
16	030210250	WASHER, LOCK M10	4	
18	468352110	COVER, VIBRATING PLATE	2	
19	014208020	BOLT 8X20	8.....	REPLACES P/N 001220820
20	030208200	WASHER, LOCK M8	8	
22	467351790	COVER VIBRATOR	1.....	S/N 1297 AND BELOW
22	467355940	COVER VIBRATOR, BREATHER	1.....	S/N 1298 AND ABOVE
23	050103250	O-RING	1	
24	014208020	BOLT 8X20.....	18.....	REPLACES P/N 001220820
25	030208200	WASHER, LOCK M8	18	
35#	954410070	90° ELBOW.....	1.....	S/N 1298 AND ABOVE
36#	959029202	TUBE, NYLON.....	1.....	S/N 1298 AND ABOVE
37#	467471710	ELEMENT, BREATHER	1.....	S/N 1298 AND ABOVE
38#	959408920	CLIP, M8.....	1.....	S/N 1298 AND ABOVE
39#	507010110	CLAMP.....	3.....	S/N 1298 AND ABOVE
40#	16910GB2005	FUEL FILTER, IN-LINE	1.....	S/N 1298 AND ABOVE
41#	959021810	SPRIAL TUBE.....	1.....	S/N 1298 AND ABOVE
50	469910040	AIR BREATHER TUBE	1.....	INCLUDES ITEMS W/#

VIBRATOR ASSY.

<u>NO.</u>	<u>PART NO.</u>	<u>PART NAME</u>	<u>QTY.</u>	<u>REMARKS</u>
A	469910030	VIBRATING PLATE ASSY. (OLD)	1.....	S/N D1297 AND BELOW INCLUDES ITEMS W/#
A	469910031	VIBRATING PLATE ASSY. (NEW)	1.....	S/N D1298 AND ABOVE INCLUDES ITEMS W/%
1#%	047920120	ROLLER BEARING	4	
2#	456331060	ROTARY SHAFT, DRIVE	1.....	S/N 1297 AND BELOW
2%	467355910	ROTARY SHAFT, DRIVE	1.....	S/N 1298 AND ABOVE
3#%	951405370	KEY 15X10X39	1	
4#%	456327150	GEAR, DRIVE	1	
5#%	080200550	STOP RING	2	
6#%	469352310	ECCENTRIC ROTATOR	4	
7#%	009120301	SOCKET HEAD BOLT 16X40	2	
8#	060105030	OIL SEAL	1.....	S/N 1297 AND BELOW
8%	060405040	OIL SEAL	1.....	S/N 1298 AND ABOVE
11#%	456337670	ROTARY SHAFT, DRIVEN	1	
12#%	009120302	SOCKET HEAD BOLT 16X30	2	
13#%	456337380	PISTON ROD	1	
14#%	456010010	KNOCK PIN 10X70	1	
15#%	467351910	GEAR (DRIVEN)	1	
16#%	040306911	BEARING	2	
17#%	953010030	SEAL CAP	1	
20#%	042506000	BEARING 6000ZZSG	2	
21#%	0080000010	STOP RING	1.....	REPLACES P/N 080200100
22#%	455435051	PISTON	1	
23#%	455010070	PACKING	1	
24#%	080100260	STOP RING	1	
27#%	467352540	BEARING COVER	1	
28#%	467219070	CYLINDER (R)	1	
29#%	954010020	CONNECTOR PT, PF 1/4	1	
30#%	050101050	O-RING	2	
31#%	001720812	FLANGE BOLT 8X12	1	
32#%	953404600	COPPER PACKING	1	
33#%	959408880	CLIP 15 (M10)	1	
34#%	0105091025	BOLT 10X25.....	8.....	REPLACES P/N 001221025
35#%	030210250	WASHER, LOCK M10	8	
36#%	031110160	WASHER, FLAT M10	8	
40	469352320	PULLEY	1	
41#%	456437920	WASHER, PULLEY	1	
42	951404970	KEY 12X8X30	1	
43	012212035	BOLT 12X35.....	1.....	REPLACES P/N 001221235
44	030212300	WASHER, LOCK M12	1	
46#%	467351920	GUIDE, BELT COVER	1	
47#%	014208020	BOLT 8X20.....	2.....	REPLACES P/N 001220820
48#%	030208200	WASHER, LOCK M8	2	
49#%	0401450080	WASHER, FLAT M8	2.....	REPLACES P/N 031108160
51	469219030	BELT COVER, LOWER	1	
52	001520860	SOCKET HEAD BOLT 8X100	5	

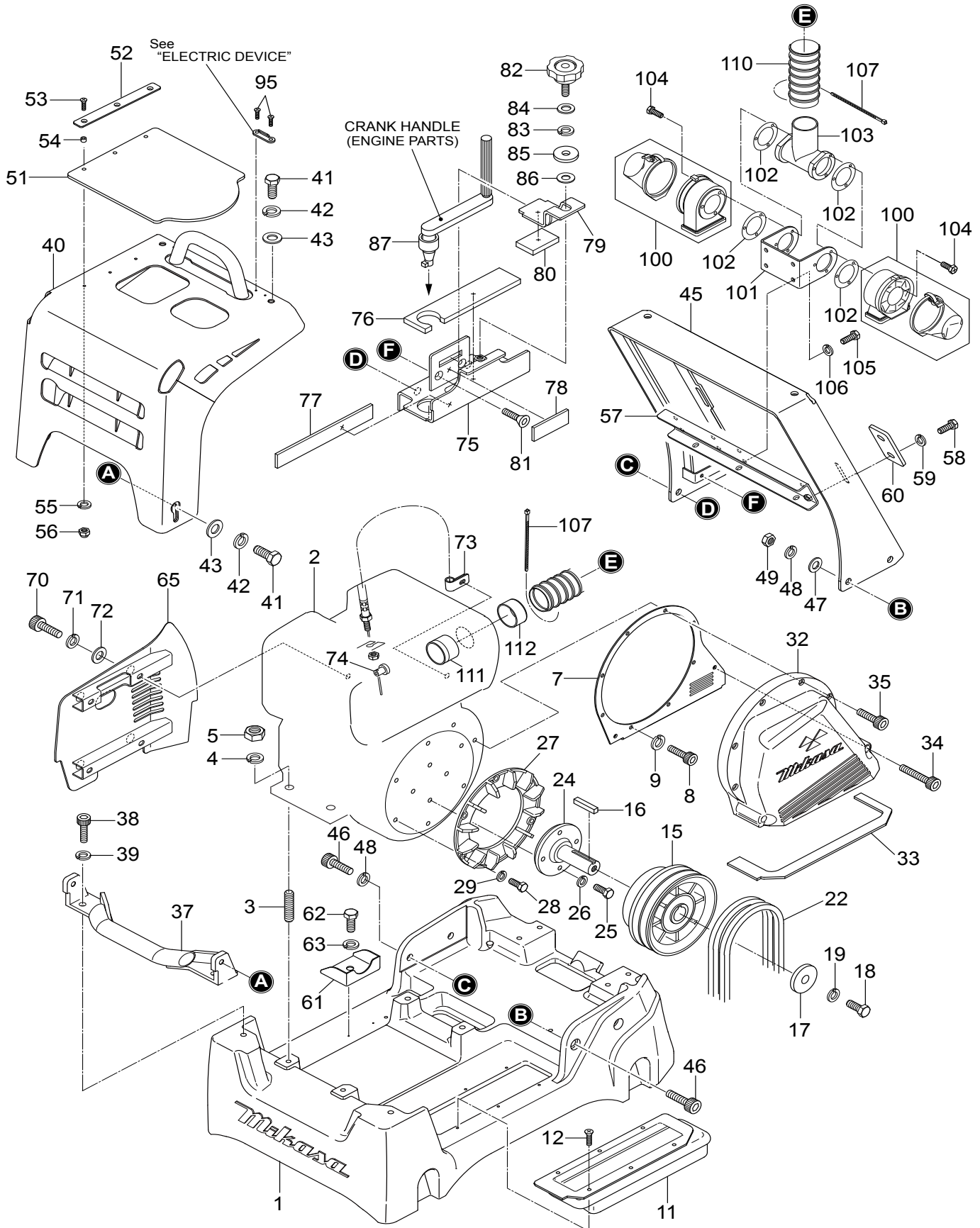
BASE AND ENGINE ASSY.



BASE AND ENGINE ASSY.

<u>NO.</u>	<u>PART NO.</u>	<u>PART NAME</u>	<u>QTY.</u>	<u>REMARKS</u>
1	469121280	BASE	1	
2	918401200	ENGINE ASSY.	1	
3	009120205	STUD BOLT 12X25	4	
4	030212300	WASHER, LOCK M12	4	
5	0039312000	NUT M12	4	REPLACES P/N 020312100
7	469352260	BELT COVER, IN	1	
8	014210020	SOCKET HEAD BOLT 10X20.....	3	REPLACES P/N 001521020
9	030210250	WASHER, LOCK M10	3	
11	469218980	DUST COVER	1	
12	092006010	FLAT HEAD SCREW 6X10	6	
15	469352390	CLUTCH ASSY.	1	
16	951010130	KEY 7X7X49	1	
17	952401390	WASHER 11X40X6	1	
18	0105091025	BOLT 10X25.....	1	REPLACES P/N 001221025
19	030210250	WASHER, LOCK M10	1	
22	070200483	V-BELT, HDPF-5460	2	
24	457339571	STUB SHAFT FAN	1	
25	011208030	BOLT 8X30.....	4	REPLACES P/N 001220830
26	030208200	WASHER, LOCK M8	4	
27	457336380	FAN	1	
28	014208020	BOLT 8X20.....	6	REPLACES P/N 001220820
29	030208200	WASHER, LOCK M8	6	
32	469218990	BELT COVER (OUT)	1	
33	469352270	DUST SPONGE (OUT)	1	
34	001521058	SOCKET HEAD BOLT 10X90	2	
35	001521045	SOCKET HEAD BOLT 10X45	5	
37	469352280	FRONT BUMPER	1	
38	001521435	SOCKET HEAD BOLT 14X35	2	
39	030214350	WASHER, LOCK M14	2	
40	469121290	FRONT COVER	1	
41	001221435	BOLT 14X35 T	4	
42	030214350	WASHER, LOCK M14	4	
43	031114260	WASHER, FLAT M14	4	
45	469219330	CENTER COVER	1	
46	001521440	SOCKET HEAD BOLT 14X40	4	
47	031114260	WASHER, FLAT M14	2	
48	030214350	WASHER, LOCK M14	4	
49	020314110	NUT M14	2	
51	468466890	RUBBER COVER, UPPER	1	
52	467466760	STOPPER COVER	1	
53	009120424	SOCKET HEAD BOLT 6X25	3	
54	617465130	COLLAR 6.2X7.8X4.5	3	
55	030206150	WASHER, LOCK M6	3	
56	022710607	NYLON NUT M6	3	

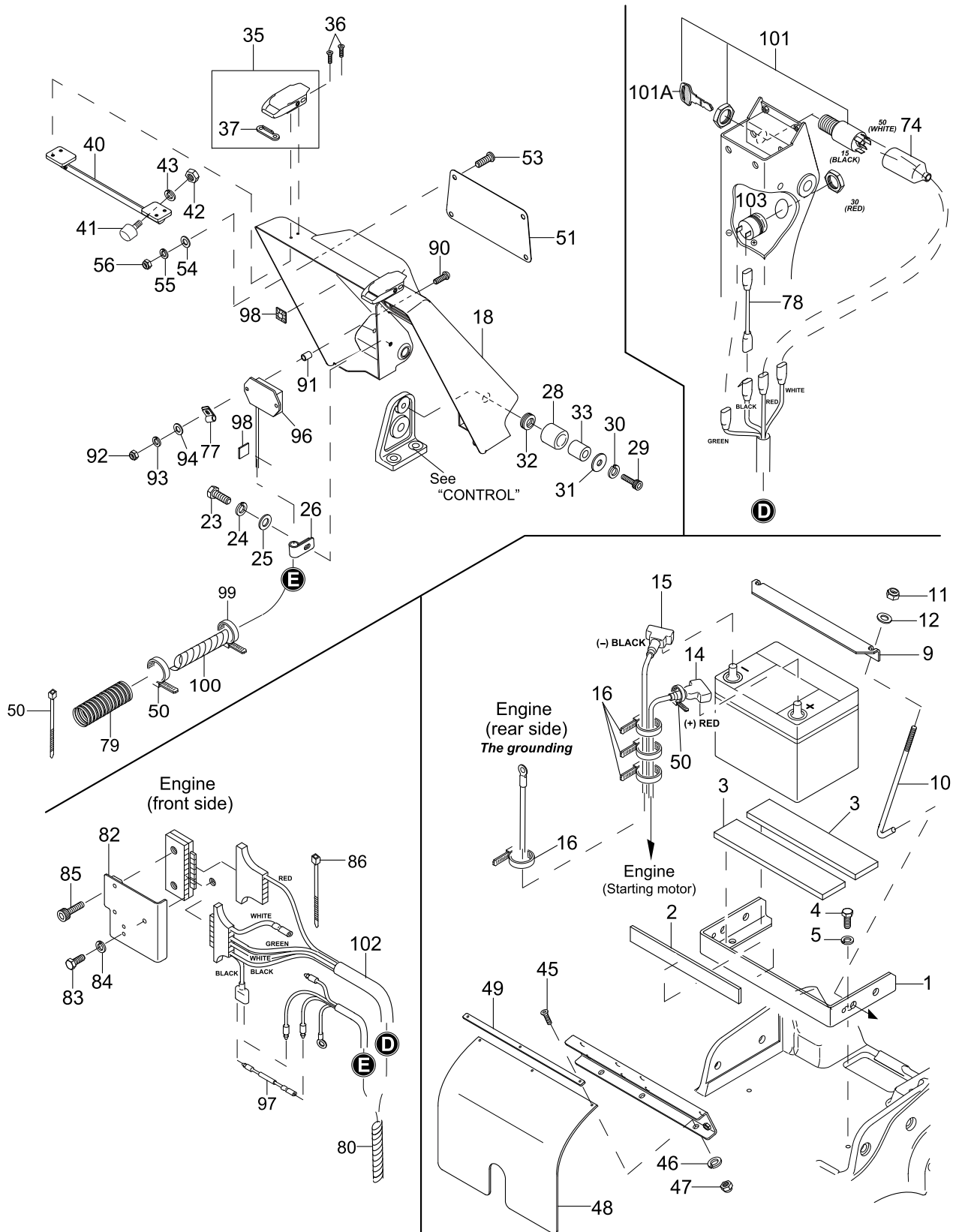
BASE AND ENGINE ASSY. (CONT'D.)



BASE AND ENGINE ASSY. (CONT'D.)

<u>NO.</u>	<u>PART NO.</u>	<u>PART NAME</u>	<u>QTY.</u>	<u>REMARKS</u>
57	469352890	CLEANER STAY	1	
58	011208025	BOLT 8X25.....	4	REPLACES P/N 001220825
59	030208200	WASHER, LOCK M8	4	
60	467467580	PLATE, CLEANER STAY	2	
61	469467000	GUIDE, DRAIN	1	
62	011008015	BOLT 8X15	1	REPLACES P/N 001220815
63	030208200	WASHER, LOCK M8	1	
65	469219010	SIDE COVER	1	
70	001521251	SOCKET HEAD BOLT 12X55	4	
71	030212300	WASHER, LOCK M12	4	
72	031112230	WASHER, FLAT M12	4	
73	2067550101	CLAMP COMPLETE	1	
74	DH50642000	CLAMP	1	
75	469219120	HOLDER, CRANK HANDLE	1	
76	469467320	POLYURETHANE SEAT 222X50	1	
77	469467310	POLYURETHANE SEAT 220X30	1	
78	469467300	POLYURETHANE SEAT 80X30X5	1	
79	469352530	HOLDER, CRANK HANDLE	1	
80	469467330	POLYURETHANE SEAT 60X40	1	
81	009120408	SUNK HEAD BOLT 8X20	2	
82	959406961	GRIP BOLT 45X10X30	1	
83	030210250	WASHER, LOCK M10	1	
84	031110160	WASHER, FLAT M10	1	
85	952403450	WASHER 11X35X4.5	1	
86	952008940	SEAL WASHER 10X17X1.6	1	
87	469467190	RUBBER PIPE 25X33X20	1	
95	009120420	SOCKET HEAD BOLT 5X10	4	
100	466218080	CLEANER, CYCLONE	2	
101	469352300	CYCLONE STAY	1	
102	466462850	GASKET, AIR INTAKE	4	
103	469219020	JOINT CLEANER	1	
104	009110057	SOCKET HEAD BOLT 5X18	6	
105	011008015	BOLT 8X15 T.....	4	REPLACES P/N 001220815
106	030208200	WASHER, LOCK M8	4	
107	506010060	CLAMP	2	
110	466348590	DUCT HOSE 50X270	1	
111	469467010	INTAKE PIPE	1	
112	466462840	DUCT GROMMET	1	

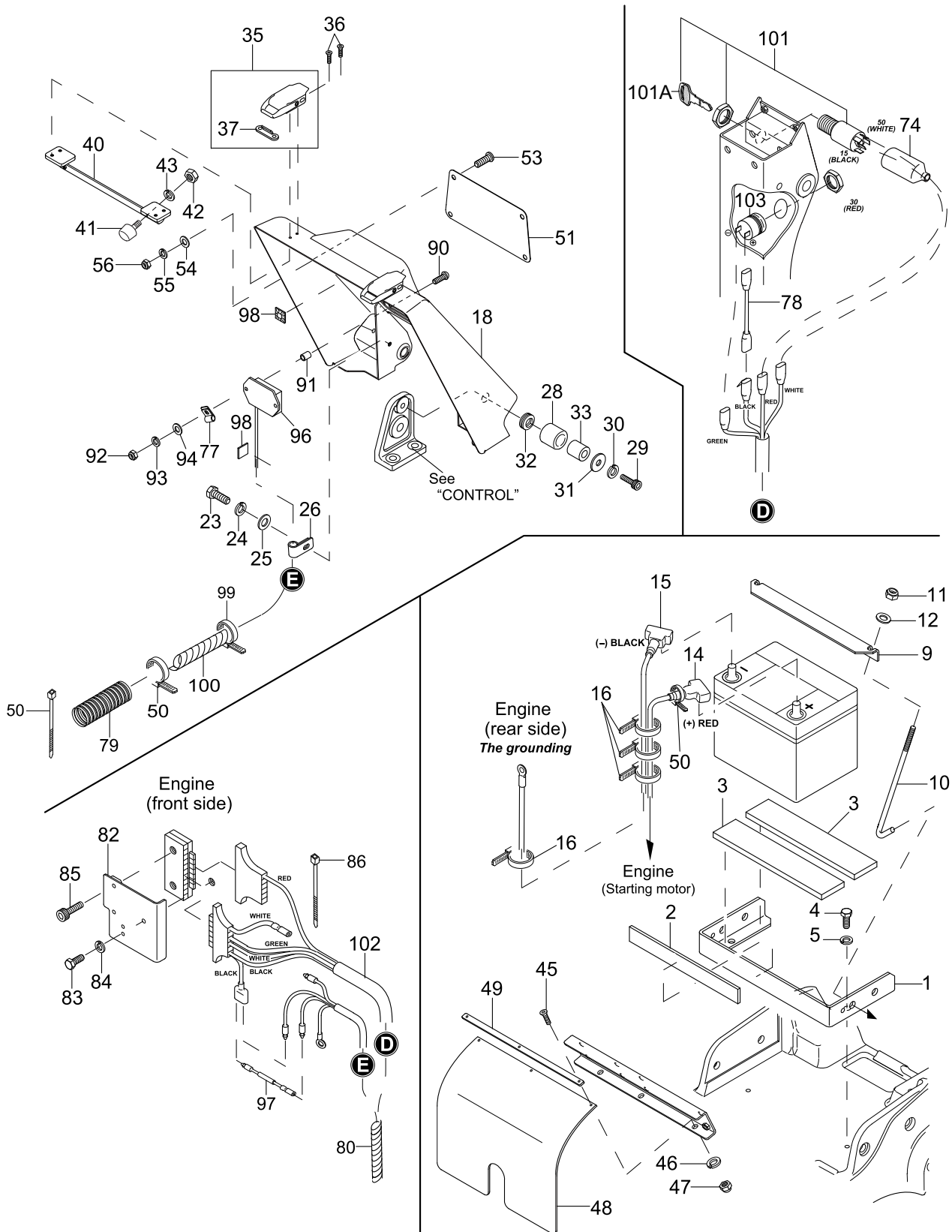
ELECTRIC DEVICE ASSY.



ELECTRIC DEVICE ASSY.

<u>NO.</u>	<u>PART NO.</u>	<u>PART NAME</u>	<u>QTY.</u>	<u>REMARKS</u>
1	467218920	BATTERY HOLDER	1	
2	456447590	RUBBER PLATE (E)	1	
3	456447600	RUBBER PLATE	2	
4	012210020	BOLT 10X20.....	2.....	REPLACES P/N 001221020
5	030210250	WASHER, LOCK M10	2	
9	464313740	HOLDER, BATTERY	1	
10	469467170	TIE-DOWN ROD, BATTERY	2	
11	022710809	NYLON NUT M8	2	
12	0401450080	WASHER, FLAT M8	2.....	REPLACES P/N 031108160
14	955301030	BATTERY CABLE (+)	1	
15	955301040	BATTERY CABLE (-)	1	
16	506010070	CLAMP	4	
18	469121300	REAR COVER	1	
23	014208020	BOLT 8X20 T	1.....	REPLACES P/N 001220820
24	030208200	WASHER, LOCK M8	1	
25	0401450080	WASHER, FLAT M8	1.....	REPLACES P/N 031108160
26	959408920	CLIP 8 (M8)	1	
28	404433430	RUBBER	2	
29	001521051	SOCKET HEAD BOLT 10X55	2	
30	030210250	WASHER, LOCK M10	2	
31	952403450	WASHER	2	
32	467467250	RUBBER WASHER	2	
33	417454420	COLLAR	2	
35	469467470	CATCH CLIP	2.....	INCLUDES ITEM W/\$
36	009120421	SOCKET HEAD BOLT 5X15	4	
37\$	169467480	HOLDER, CATCH CLIP	2	
40	469352340	BRACKET, STOPPER	1	
41	939010360	STOPPER, RUBBER	2	
42	020108060	NUT M8	2.....	REPLACES P/N 020308060
43	030208200	WASHER, LOCK M8	2	
45	001220520	BOLT 5X20	3	
46	030205130	WASHER, LOCK M5	3	
47	022710506	NYLON NUT M5	3	
48	467466930	RUBBER PLATE, BATTERY	1	
49	467466920	STOPPER, RUB-PLATE	1	
50	454010020	CLAMP	7	

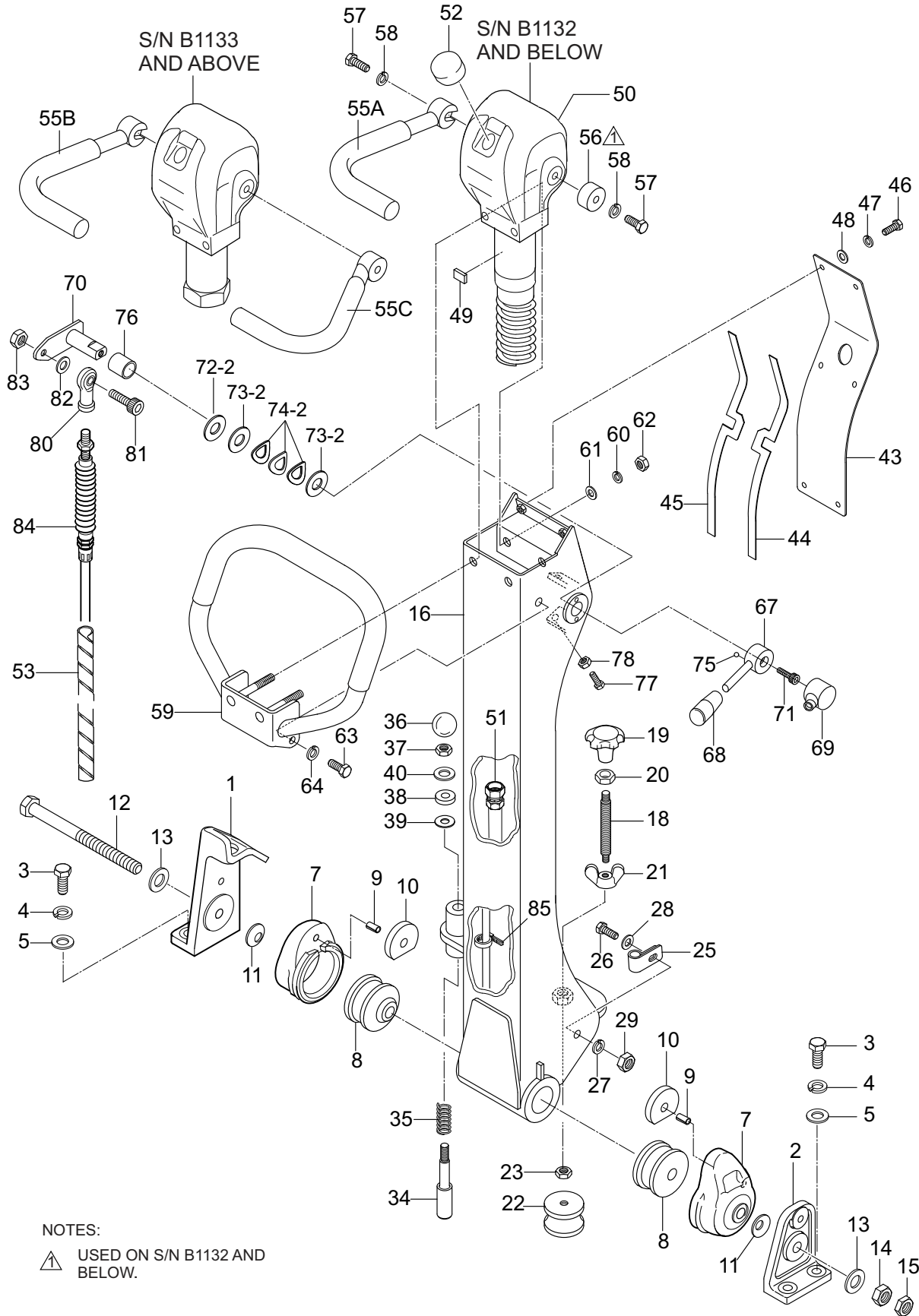
ELECTRIC DEVICE ASSY. (CONT'D.)



ELECTRIC DEVICE ASSY. (CONT'D.)

<u>NO.</u>	<u>PART NO.</u>	<u>PART NAME</u>	<u>QTY.</u>	<u>REMARKS</u>
51	467352050	PANEL, REAR COVER	1	
53	009110062	SOCKET HEAD SCREW 6X20	4	
54	952404470	WASHER, FLAT M6	4	REPLACES P/N 031106100
55	030206150	WASHER, LOCK M6	4	
56	022710607	NYLON NUT M6	4	
74	470468770	PROTECTIVE COVER, IGNITION SWITCH	1	S/N E1491 AND ABOVE
77	954409880	CLAMP M6	1	
78	465459680	RELAY CABLE/BUZZER	1	
79	959026021	CORRUGATE TUBE	1	
80	959020014	SPIRAL TUBE	1	
82	469352400	PANEL, WITH BUZZER	1	
83	001220635	BOLT 6X35	1	
84	030206150	WASHER, LOCK M6	1	
85	001520530	SOCKET HEAD BOLT 5X30	2	
86	506010070	CLAMP	1	
90	009110072	PAN HEAD SCREW 5X35	2	
91	952407930	COLLAR 6X10X13.5	2	
92	022710506	NYLON NUT M5	2	
93	030205130	WASHER, LOCK M5	2	
94	58151	WASHER, FLAT M5	2	REPLACES P/N 031105080
96	955301020	TACH. AND HOUR METER	1	
97	469467040	RESISTOR, TACH.	1	
98	955407970	WIRING FIXED BASE	2	
99	454010020	CLAMP M6	1	
100	959021813	SPIRAL TUBE 6D-650L	1	
101	50384401	IGNITION SWITCH W/ KEY	1	INCLUDES ITEM W/#
101A#	50404900	KEY, IGNITION SWITCH	1	
102	469352350	WIRE HARNESS	1	
103	50465100	BUZZER	1	

CONTROL ASSY.

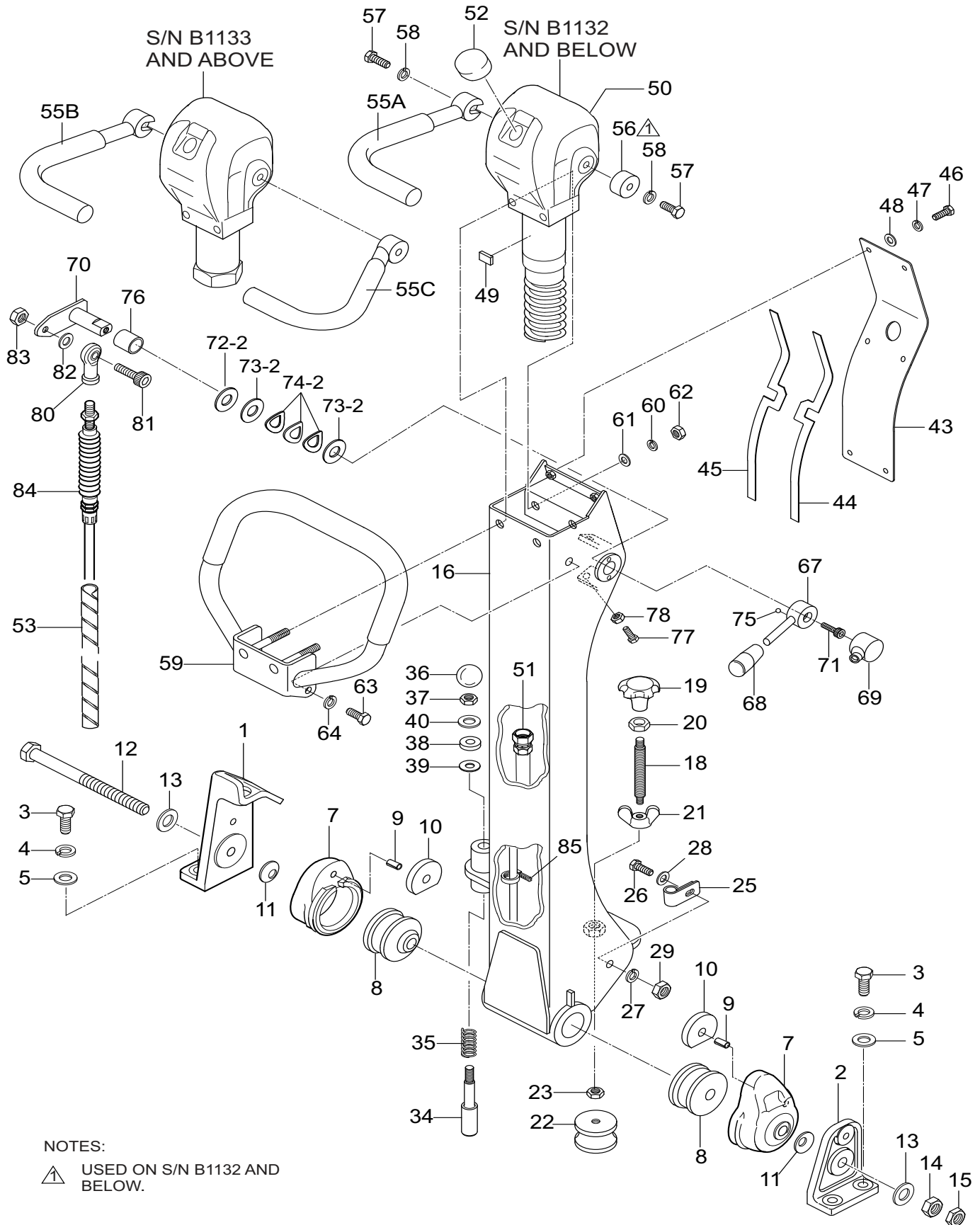


NOTES:
 ▲ USED ON S/N B1132 AND BELOW.

CONTROL ASSY.

<u>NO.</u>	<u>PART NO.</u>	<u>PART NAME</u>	<u>QTY.</u>	<u>REMARKS</u>
1	467351950	HANDLE BRACKET (R)	1	
2	467351960	HANDLE BRACKET (L)	1	
3	012212035	BOLT 12X35.....	4	REPLACES P/N 001221235
4	030212300	WASHER, LOCK M12	4	
5	031112230	WASHER, FLAT M12	4	
7	456336400	RUBBER COUPLING	2	
8	456449940	SHOCK ABSORBER	2	
9	025306016	SPRING PIN 6X16	2	REPLACES P/N 025406016
10	456449930	RUBBER PLATE	2	
11	032124400	CONICAL WASHER LOCK M24	2	
12	001221681	BOLT 16X250	1	
13	0401450160	WASHER, FLAT M16	2	REPLACES P/N 031116260
14	020316130	NUT M16	1	
15	020416100	NUT M16	1	
16	467121170	HANDLE BAR	1	
18	455434950	SPINDLE	1	
19	455010030	KNOB	1	
20	020412070	NUT M12	1	
21	022411635	WING NUT M16	1	
22	939010060	SHOCK ABSORBER	1	
23	020310080	NUT M10.....	1	REPLACES P/N 020410060
25	959408930	CLIP	1	
26	011206020	BOLT 6X20.....	1	REPLACES P/N 001220620
27	030206150	WASHER, LOCK M6	1	
28	952404470	WASHER, FLAT M6	1	REPLACES P/N 031106100
29	020106050	NUT M6	1	REPLACES P/N 020306050
34	501402870	HANDLE STOPPER	1	
35	501402880	SPRING/HANDLE	1	
36	959403460	BALL GRIP	1	
37	020310080	NUT M10.....	1	REPLACES P/N 020410060
38	456449980	RUBBER PACKING	1	
39	953405260	PACKING 1/4	1	
40	031110160	WASHER, FLAT M10	1	
43	467351970	HANDLE COVER	1	
43	467351970	HANDLE COVER	1	

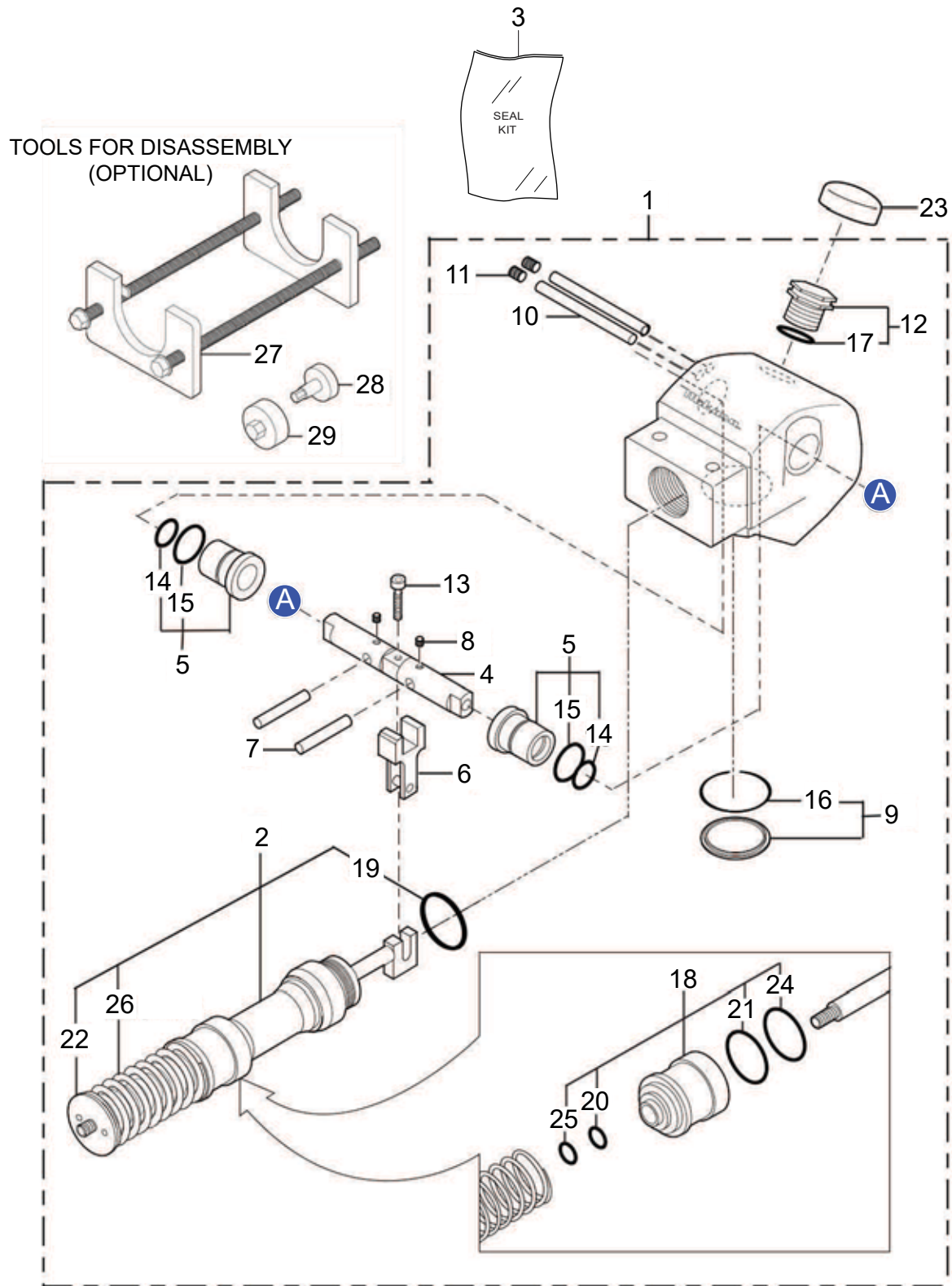
CONTROL ASSY. (CONT'D.)



CONTROL ASSY. (CONT'D.)

<u>NO.</u>	<u>PART NO.</u>	<u>PART NAME</u>	<u>QTY.</u>	<u>REMARKS</u>
44	467467340	PACKING (L), HANDLE	1	
45	467467350	PACKING (R), HANDLE	1	
46	0105050616	BOLT 6X15 T	6	REPLACES P/N 001220615
47	030206150	WASHER, LOCK M6	6	
48	952404470	WASHER, FLAT M6	6	REPLACES P/N 031106100
49	464457930	RUBBER PIECE	1	
50	469219180	HYDRAULIC PUMP	1	
51	954003100	OIL HOSE	1	
52	458451630	BREATHER CAP	1	
53	959021813	SPIRAL TUBE	1	
55A	464216630	TRAVEL LEVER, RIGHT	1	S/N 1132 AND BELOW
55B	464216820	TRAVEL LEVER, RIGHT	1	S/N 1133 AND ABOVE
55C	464216830	TRAVEL LEVER, LEFT	1	S/N 1133 AND ABOVE
56	464457400	HANDLE BOSS	1	S/N 1132 AND BELOW
57	012010030	BOLT 10X30.....	2	REPLACES P/N 001221030
58	030210250	WASHER, LOCK M10	2	
59	467218900	GRIP	1	
60	030210250	WASHER, LOCK M10	2	
61	031110160	WASHER, FLAT M10	2	
62	020310080	NUT M10	2	
63	0105091025	BOLT 10X25.....	2	REPLACES P/N 001221025
64	030210250	WASHER, LOCK M10	2	
67	469466970	THROTTLE LEVER	1	
68	959403840	BAR GRIP, I.D.	1	
69	464457420	COVER , THROTTLE LEVER	1	
70	464457350	ARM, THROTTLE	1	
71	014208020	SOCKET HEAD BOLT 8X20.....	1	REPLACES P/N 001520820
72	952408950	WASHER	1	
73	952409020	WASHER	1	
74	033910080	CONICAL WASHER, LOCK	3	
75	464457440	STEEL BALL	1	
76	464010010	DRY BUSHING	1	
77	011606025	BOLT 6X25.....	2	REPLACES P/N 001220625
78	020106050	NUT M6	2	REPLACES P/N 020306050
80	464010020	ROD END M5	1	
81	001520520	SOCKET HEAD BOLT 5X20	1	
82	58151	WASHER, FLAT M5	1	REPLACES P/N 031105080
83	020305040	NUT M5	1	
84	956100071	THROTTLE WIRE	1	
85	454010020	CLAMP	1	

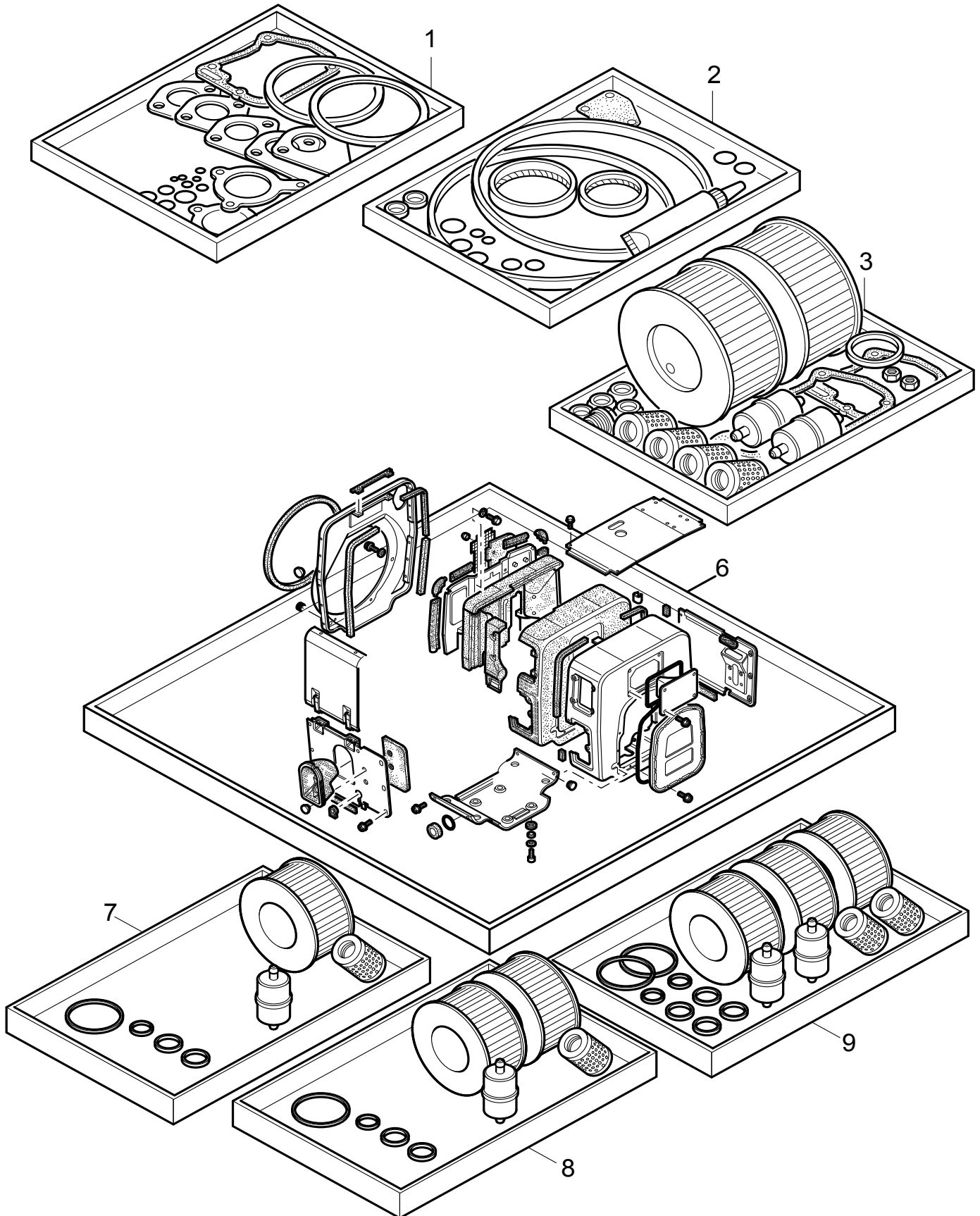
HYDRAULIC HAND PUMP ASSY.



HYDRAULIC HAND PUMP ASSY.

<u>NO.</u>	<u>PART NO.</u>	<u>PART NAME</u>	<u>QTY.</u>	<u>REMARKS</u>
1	469219180	HAND PUMP	1.....	INCLUDES ITEMS W/#
2#	469910020	ACCUMULATOR.....	1.....	INCLUDES ITEMS W/\$ NOT SOLD SEPARATELY
3	464910080	SEAL KIT	1.....	INCLUDES ITEMS W/%
4#	464010040	CONTROL SHAFT	1	
5#	467010020	BUSH.....	2.....	INCLUDES ITEMS W/@
6#	464010060	CAM	1	
7#	464010070	STOPPER	2	
8#	099205005	SCREW, SOCKET HEAD	2	
9#	464010080	PLUG	1.....	INCLUDES ITEMS W/*
10#	464010090	PIN, STOPPER	2	
11#	464010100	PLUG	2	
12#	458010080	BREATHER.....	1.....	INCLUDES ITEMS W/^
13#	001520620	BOLT, SOCKET HEAD.....	1.....	REPLACES P/N 001520620
14@%#	050200200	O-RING, P-20	2	
15@%#	050210220	O-RING, P-22	2.....	REPLACES P/N 050200220
16*%#	050300380	O-RING, S-38	1	
17^%#	050200180	O-RING, P-18	1	
18\$#	464010111	CASE, ACCUMULATOR	1.....	INCLUDES ITEMS W/&
19\$%#	050300400	O-RING, S-40	1	
20\$&%#	050200150	O-RING, P-15	1	
21\$&%#	050100400	O-RING, G-40	1	
22\$#	464010120	PLUG, SPRING	1	
23#	458451630	CAP, BREATHER	1	
24\$&%#	069904010	SEAL, SER-40	1	
25\$&%#	069901010	SEAL, SER-15	1	
26\$#	468910030	SPRING, ACCUMULATOR	1	
27	984010060	SPRING COMPRESSION, TOOL	1	
28	984010040	TOOL A, DISASSEMBLING	1	
29	984010050	TOOL B, DISASSEMBLING	1	

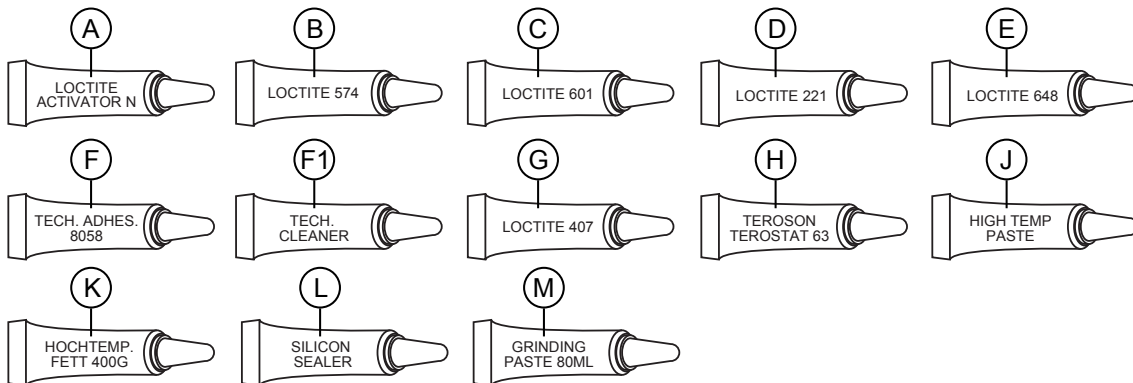
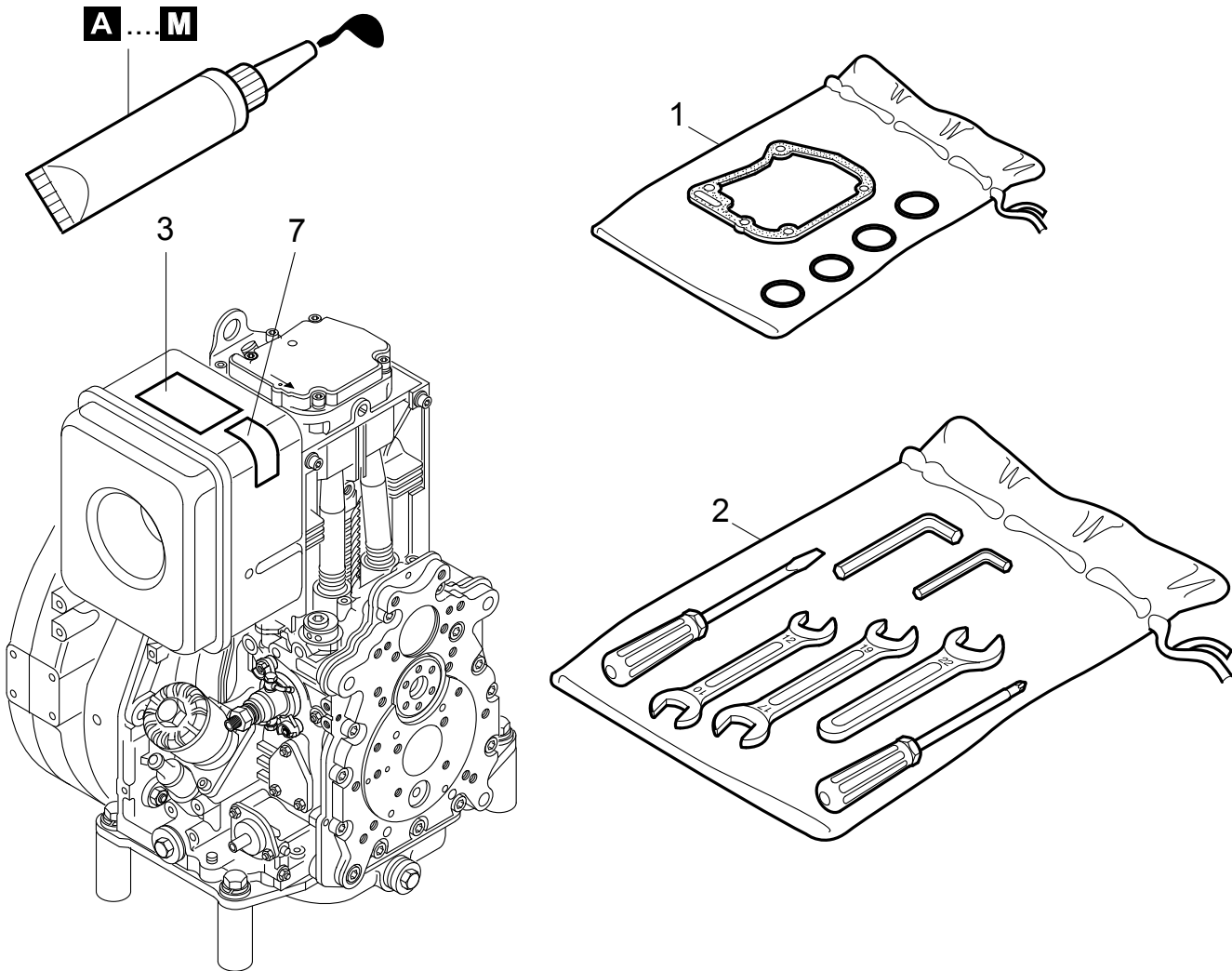
HATZ 1D81S-325 ENGINE SPARE PARTS KIT ASSY.



HATZ 1D81S-325 ENGINE SPARE PARTS KITS ASSY.

<u>NO.</u>	<u>PART NO.</u>	<u>PART NAME</u>	<u>QTY.</u>	<u>REMARKS</u>
1	1517802	GASKET SET, CYLINDER HEAD	1	
2	1249322	GASKET SET, CRANK CASE	1	
3	1249410	MAINTENANCE KIT, 1000H	1	
6	1942000	REPAIR SET, CAPSULE	1	
7	2265300	FILTER KIT, LIGHT	1	
8	2268500	FILTER KIT, MEDIUM	1	
9	2269600	FILTER KIT, HEAVY	1	

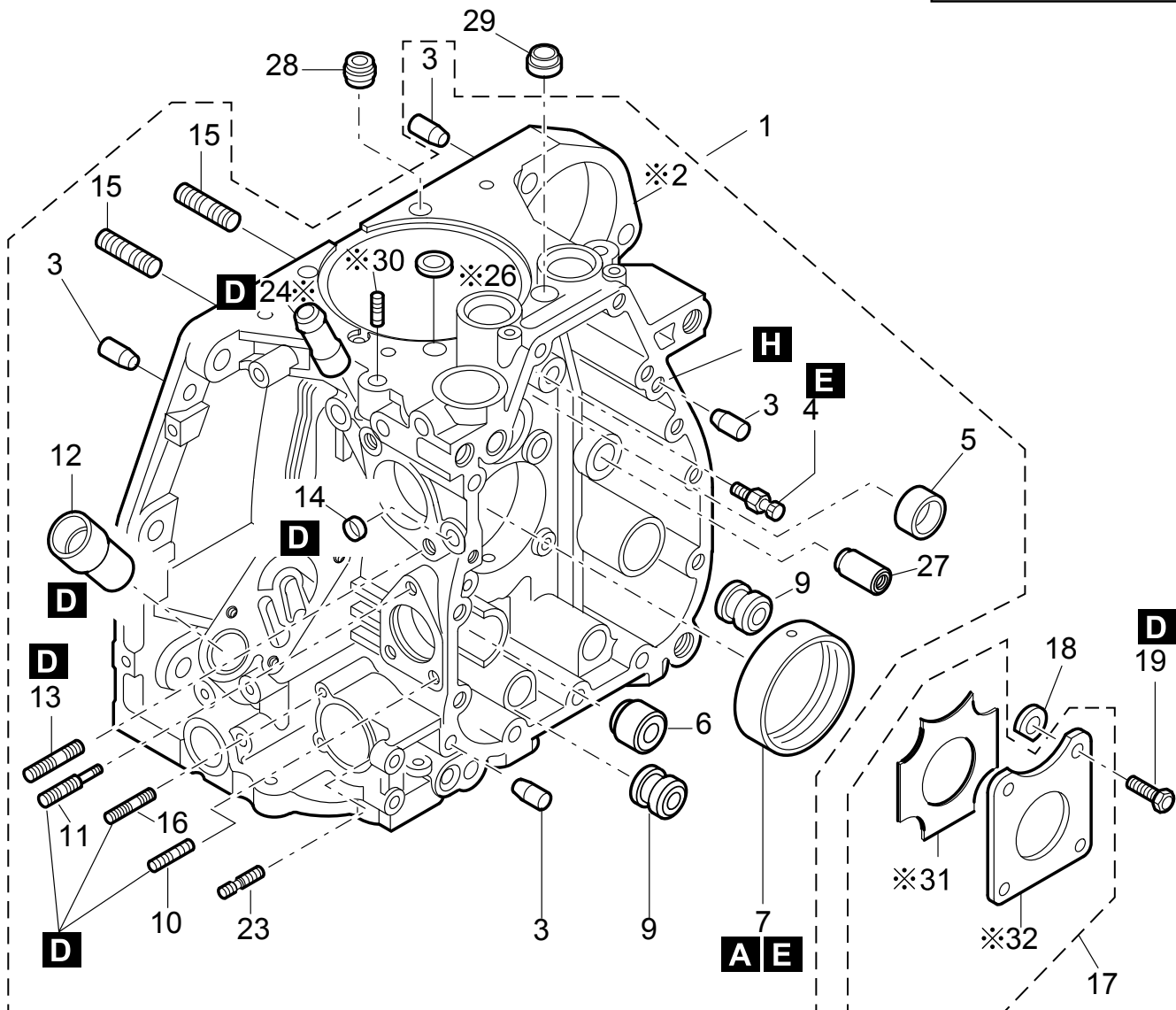
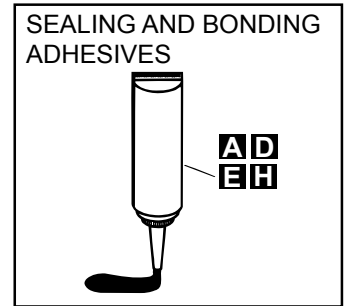
HATZ 1D81S-325 ENGINE ACCESSORIES ASSY.



HATZ 1D81S-325 ENGINE ACCESSORIES ASSY.

<u>NO.</u>	<u>PART NO.</u>	<u>PART NAME</u>	<u>QTY.</u>	<u>REMARKS</u>
A	50223001	LOCTITE ACTIVATOR N	1	
B	50223101	LOCTITE 574	1	
C	50223200	LOCTITE 601	1	
D	50223300	LOCTITE 221	1	
E	50223400	LOCTITE 648	1	
F	50223800	TECHNICAL ADHESIVE 8058	1	
F1	50223900	TECHNICAL CLEANER	1	
G	50256501	LOCTITE IS 407	1	
H	70018944	TEROSON TEROSTAT 63	1	
J	50283004	HIGH TEMPERATURE PASTE	1	
K	50342601	HIGH TEMPERATURE FETT	1	
L	50256600	SILICON SEALER	1	
M	50485100	GRINDING PASTE	1	
1	01247512	ACCESSORIES KIT	1	
2	01247600	TOOLS	1	
3	04048305	STICKER DECAL	1	
7	05025201	STICKER DECAL "START"	1	

HATZ 1D81S-325 ENGINE CRANKCASE 1 ASSY.

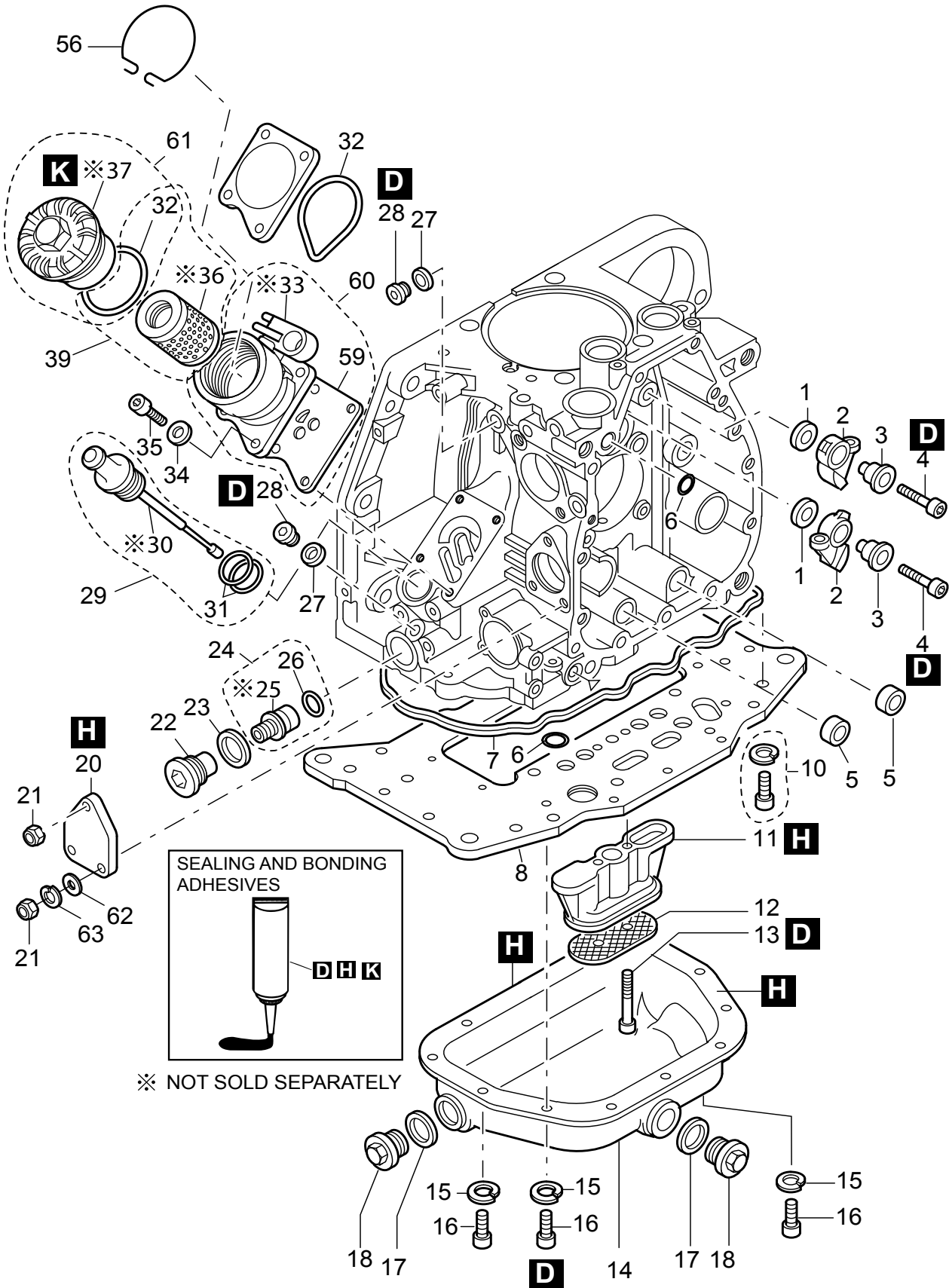


※ NOT SOLD SEPARATELY

HATZ 1D81S-325 ENGINE CRANKCASE 1 ASSY.

<u>NO.</u>	<u>PART NO.</u>	<u>PART NAME</u>	<u>QTY.</u>	<u>REMARKS</u>
A	50223001	LOCTITE ACTIVATOR N	1	
D	50223300	LOCTITE 221	1	
E	50223400	LOCTITE 648	1	
H	70018944	TEROSON TEROSTAT 63	1	
1	01249070	CRANKCASE ASSY.....	1	INCLUDES ITEMS W/\$
2\$		CRANKCASE.....	1	NOT SOLD SEPARATELY
3\$	50249102	CYL. PIN	4	
4\$	03793900	NOZZLE	1	
5\$	03793801	BEARING BUSH	1	
6\$	03794000	PLUG	AR	
7\$	03793700	BEARING	1	
7	04033700	MAIN BEARING, O.S. 0.5MM.....	1	FOR -0.5MM SHAFT
9\$	04000800	PLUG	AR	
10\$	50144300	STUD	2	
11\$	03794510	STUD	1	
12\$	03794800	INTERMEDIATE PIECE	1	
13\$	50601200	STUD	2	
14\$	50325500	COVER	1	
15\$	50602901	STUD	8	
16\$	50328200	STUD	2	
17	02228000	THRUST PLATE.....	1	INCLUDES ITEMS W/@
18	04069500	SHIM, 1.05 MM	AR	
18	04069600	SHIM, 1.2 MM	AR	
19	04062010	HEX. HD. SCREW	4	
23	50328200	STUD	1	
24\$		PIPE.....	1	NOT SOLD SEPARATELY
26\$		O-RING.....	AR	NOT SOLD SEPARATELY
27\$	04105000	PLUG	1	
28	50459800	SEALING CYL. SCREW	2	
29	04084500	SEALING RING	2	
30\$		STUD.....	AR	NOT SOLD SEPARATELY
31@		GASKET.....	1	NOT SOLD SEPARATELY
32@		PLATE.....	1	NOT SOLD SEPARATELY

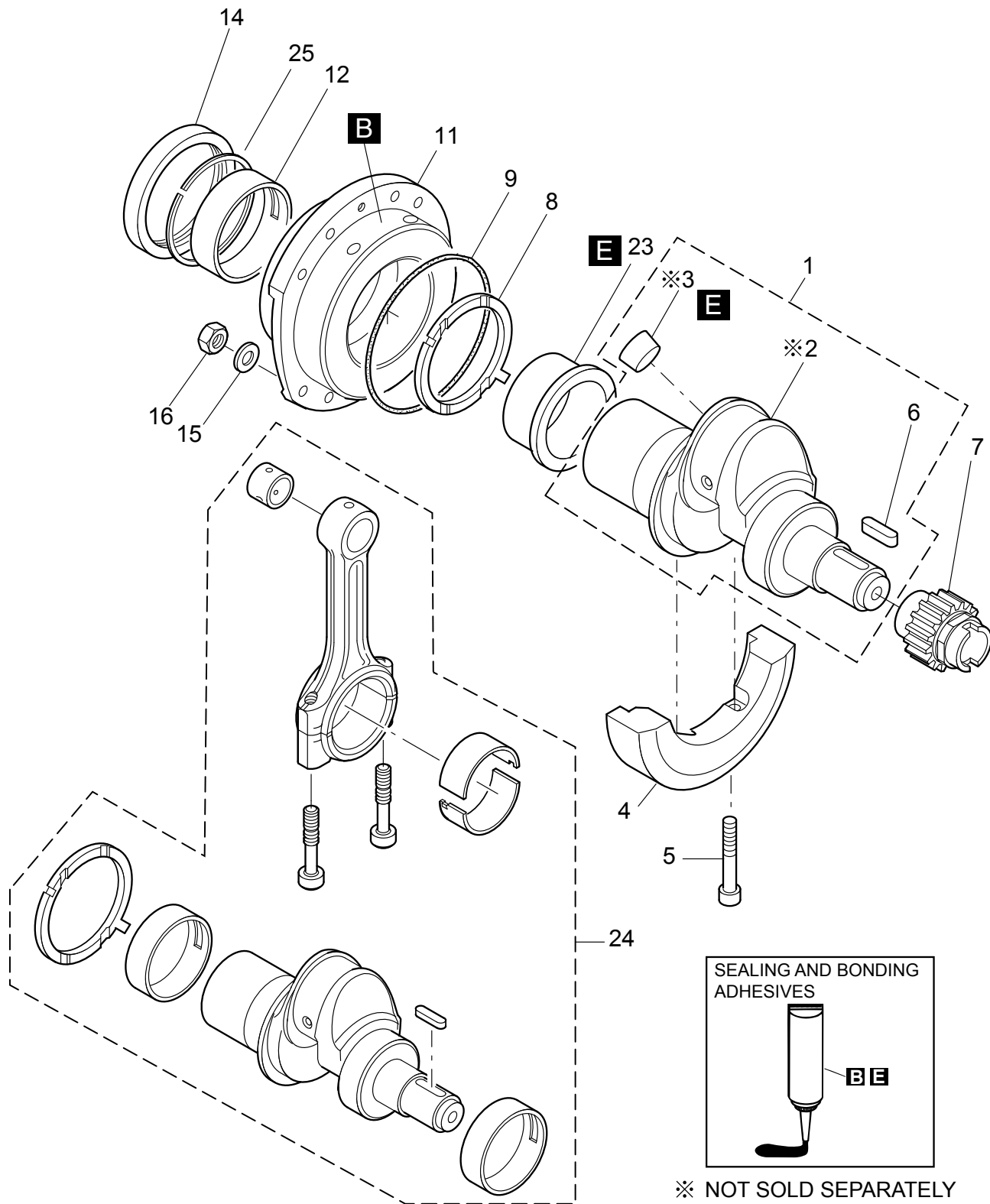
HATZ 1D81S-325 ENGINE CRANKCASE 2 ASSY.



HATZ 1D81S-325 ENGINE CRANKCASE 2 ASSY.

<u>NO.</u>	<u>PART NO.</u>	<u>PART NAME</u>	<u>QTY.</u>	<u>REMARKS</u>
D	50223300	LOCTITE 221	1	
H	70018944	TEROSON TEROSTAT 63	1	
K	50342601	HIGH TEMPERATURE FETT	1	
1	03794100	WASHER	2	
2	03794300	CAM FOLLOWER	2	
3	03794201	CAM FOLLOW SP.	2	
4	50545501	ALLEN, SCREW	2	
5	03795800	O-RING	2	
6	50329000	O-RING	3	
7	03795100	O-RING	1	
8	01248810	PLATE	1	
10	50417600	ALLEN SCREW W/WASHER	22	
11	03794900	HOUSING	1	
12	03795000	SUCTION, SIEVE	1	
13	50327100	ALLEN SCREW	2	
14	01241700	OIL SUMP	1	
15	50170900	WASHER, LOCK	12	
16	50329100	ALLEN SCREW	12	
17	50001600	JOINT A	2	
18	50373100	DRAIN PLG. MAGNT.	2	
20	03794701	COVER	1	
21	50328300	HEXAGON NUT	3	
22	01321200	CLOS., SCREW + SIEVE	1	
23	50286400	JOINT A	1	
24	01321100	OIL RELIEF VALVE W/O-RING.....	1	INCLUDES ITEMS W/\$
25\$		OIL RELIEF VALVE.....	1	NOT SOLD SEPARATELY
26\$	50460400	O-RING	1	
27	50062400	JOINT A	2	
28	50062300	CLOS. SCREW	2	
29	01241500	OIL GAUGE W/O-RING	1	INCLUDES ITEMS W/#
30#		OIL GAUGE	1	NOT SOLD SEPARATELY
31#	50359700	O-RING	2	
32@%	50329200	RING	2	
33+		HOUSING, LUBE, OIL FILTER.....	1	NOT SOLD SEPARATELY
34	50081200	WASHER, LOCK	4	
35	50170600	ALLEN SCREW	4	
36@		ELEMENT, OIL FILTER.....	1	NOT SOLD SEPARATELY
37%		COVER, OIL FILTER.....	1	NOT SOLD SEPARATELY
39	01480001	ELEMENT, OIL FILTER W/RING	1	INCLUDES ITEMS W/@
56	04084001	LIFTING SPRING	1	
59+	05068900	GASKET	1	
60	01318300	HOUSING, LUBE, OIL FILTER, W/GASKET	1	INCLUDES ITEMS W/+
61	01248901	COVER, OIL FILTER W/RING	1	INCLUDES ITEMS W/%
62	50144500	WASHER, FLAT	2	
63	50170900	WASHER, LOCK	2	

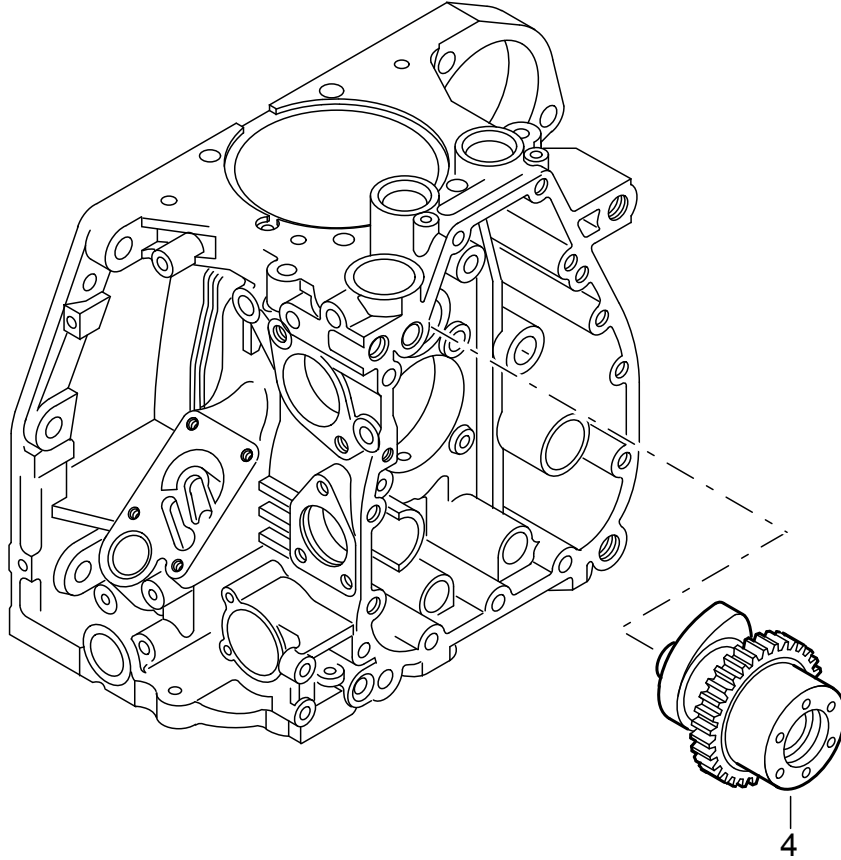
HATZ 1D81S-325 ENGINE CRANKSHAFT BEARING FLANGE ASSY.



HATZ 1D81S-325 ENGINE CRANKSHAFT BEARING FLANGE ASSY.

<u>NO.</u>	<u>PART NO.</u>	<u>PART NAME</u>	<u>QTY.</u>	<u>REMARKS</u>
B	50223101	LOCTITE 574	1	
E	50223400	LOCTITE 648	1	
1	01269820	CRANKSHAFT ASSY.....	1	INCLUDES ITEMS W/\$
2\$		CRANKSHAFT.....	1	NOT SOLD SEPARATELY
3\$		PLUG.....	1	NOT SOLD SEPARATELY
4	03796000	COUNTER WEIGHT	1	
5	50055001	ALLEN SCREW	2	
6\$	50362600	FITTING KEY	1	
7	03796120	GEARWHEEL, CRANKSHAFT	1	
8	04000600	BUFFER RING	1	
9	50224900	O-RING	1	
11	04064211	BEARING FLANGE	1	REPLACES P/N 04064210
12	04006800	MAIN BEARING	1	
12	04036100	MAIN BEARING, O.S. 0.5MM.....	1	FOR -0.5MM SHAFT
14	50362701	OIL SEAL	1	
15	50413600	WASHER	8	
16	50364300	HEXAGON NUT	8	
23	50414400	WEAR SLEEVE	AR	
24	01512010	REPAIR SET, CRANKSHAFT	1	

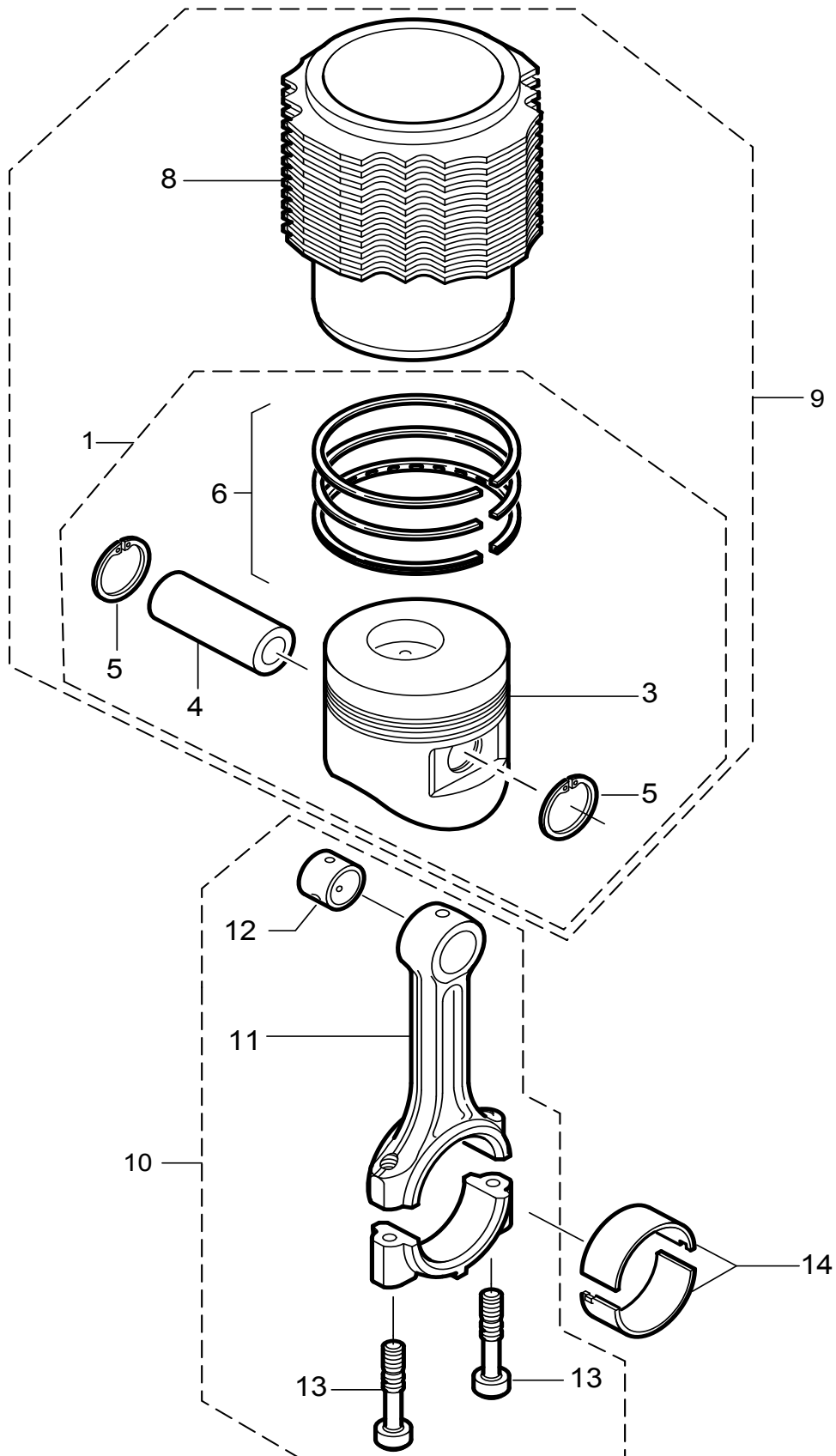
HATZ 1D81S-325 ENGINE CAMSHAFT ASSY.



HATZ 1D81S-325 ENGINE CAMSHAFT ASSY.

<u>NO.</u>	<u>PART NO.</u>	<u>PART NAME</u>	<u>QTY.</u>	<u>REMARKS</u>
4	04099920	CAMSHAFT ASSY.	1	

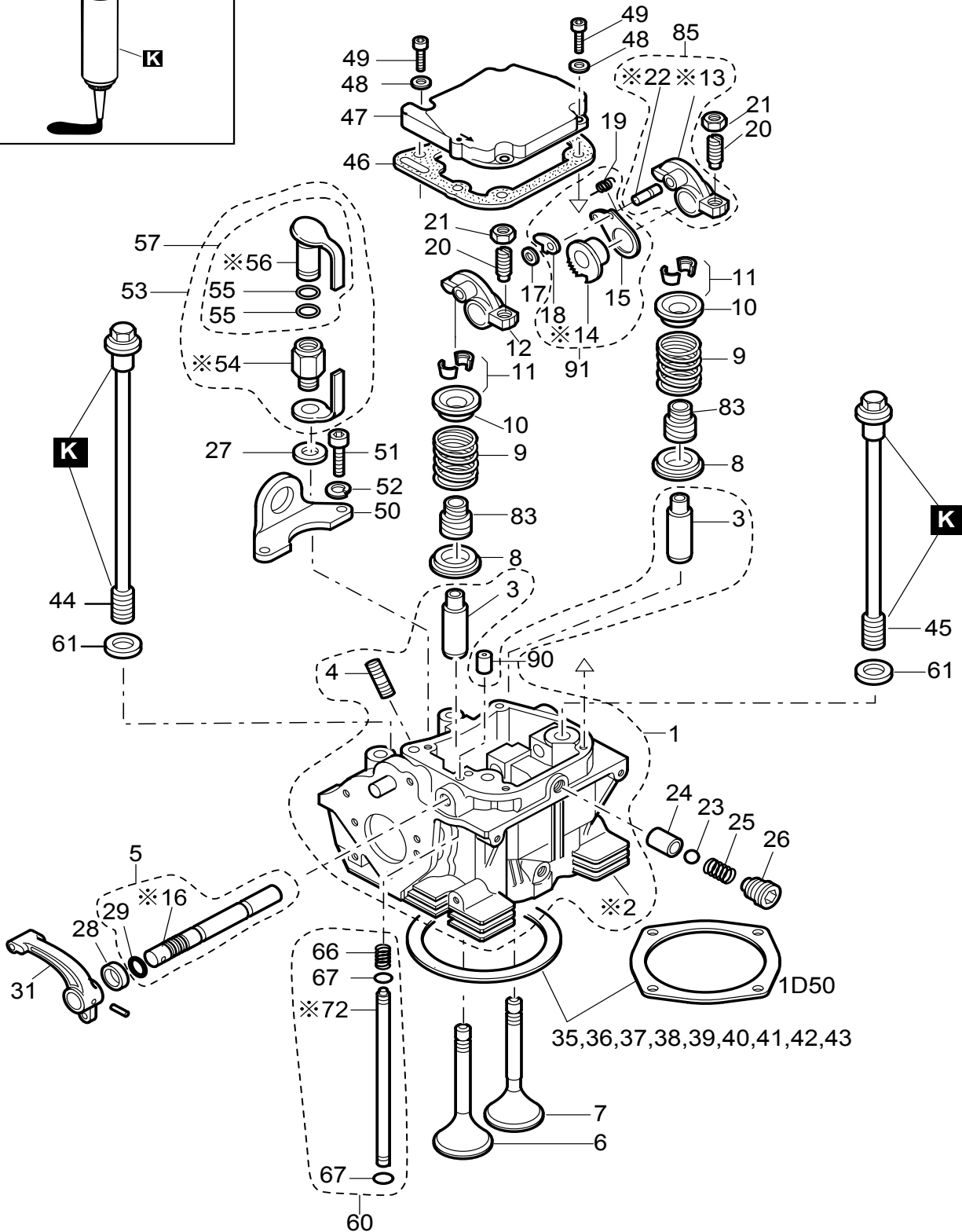
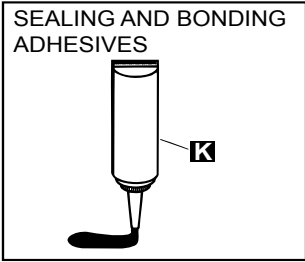
HATZ 1D81S-325 ENGINE PISTON ASSY.



HATZ 1D81S-325 ENGINE PISTON ASSY.

NO.	PART NO.	PART NAME	QTY.	REMARKS
1#	01313542	PISTON SET 100 STD.....	1.....	INCLUDES ITEMS W/\$
1	01314641	PISTON 100+0.5MM OVERSIZE.....	1.....	INCLUDES ITEMS W/%
3\$%#		PISTON.....	1.....	NOT SOLD SEPARATELY
4\$%#	50461900	GUDGEON	1	
5\$%#	50594900	CIR CLIP	2	
6\$#	01247310	PISTON RING SET 100/STD	1	
6%	01264510	PISTON RING SET100+0.5MM OVERSIZE	1	
8#		CYLINDER.....	1.....	NOT SOLD SEPARATELY
9	01508330	CYLINDER ASSY.	1.....	INCLUDES ITEMS W/#
10	01244001	CONNECTING ROD ASSY.	1.....	INCLUDES ITEMS W/@
11@		CONNECTING ROD.....	1.....	NOT SOLD SEPARATELY
12@	04032200	BUSH FOR CONROD	1	
13@	04001810	CONROD SCREW	2	
14	02251900	BEARING, BIG END STANDARD	1	
14	02252100	BEARING, BIG END, O.S. 0.5MM	1.....	FOR -0.5MM BRG END

HATZ 1D81S-325 ENGINE CYLINDER HEAD ASSY.

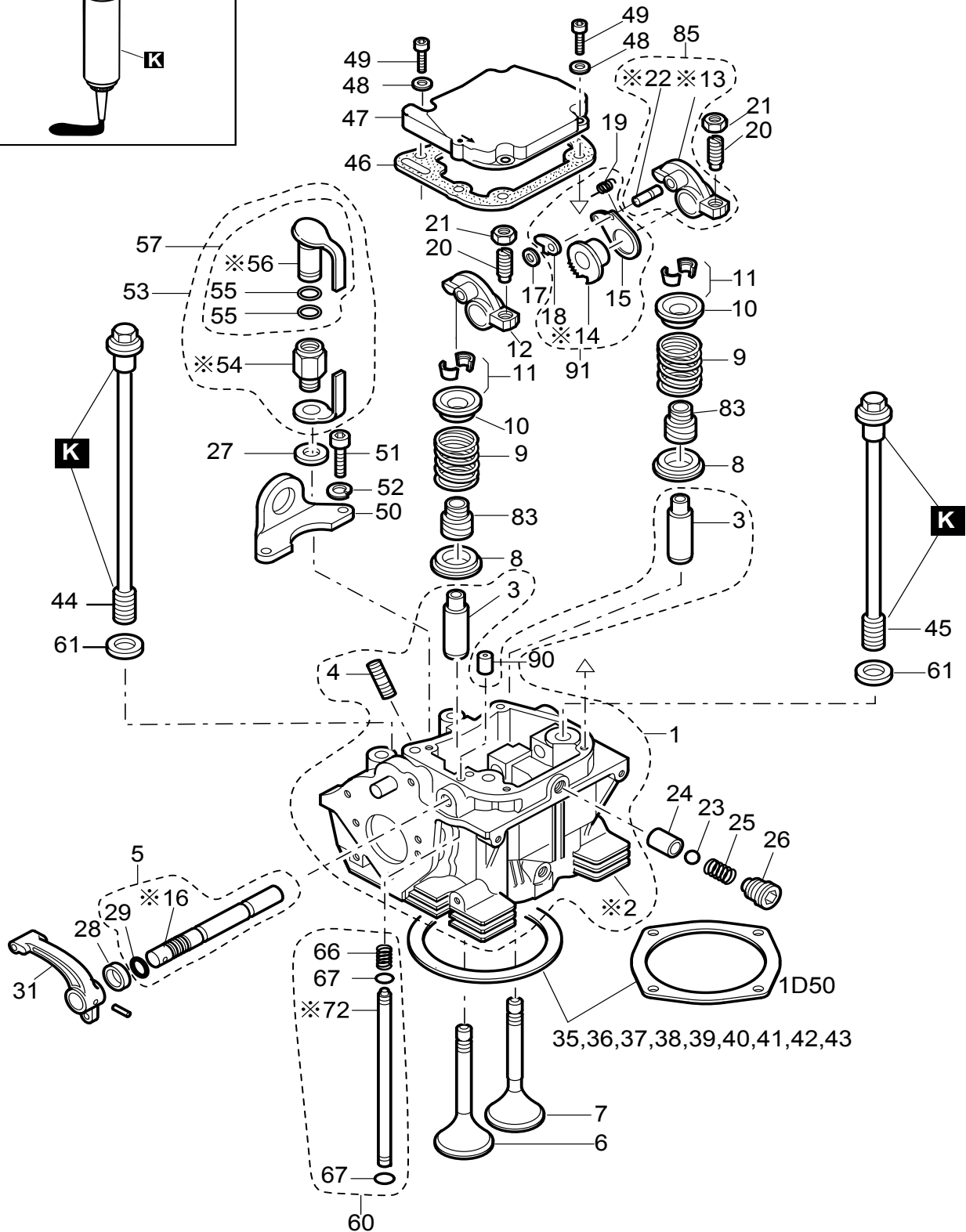
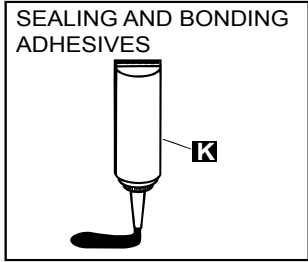


※ NOT SOLD SEPARATELY

HATZ 1D81S-325 ENGINE CYLINDER HEAD ASSY.

<u>NO.</u>	<u>PART NO.</u>	<u>PART NAME</u>	<u>QTY.</u>	<u>REMARKS</u>
K	50342601	HIGH TEMPERATURE FETT	1	
1	01499620	CYLINDER HEAD ASSY.....	1	INCLUDES ITEMS W/\$
2\$		CYLINDER HEAD.....	1	NOT SOLD SEPARATELY
3\$	04008712	VALVE GUIDE	2	
4\$	50038400	STUD	1	
5	01468920	SHAFT ROCKER W/O-RING.....	1	INCLUDES ITEMS W/%
6	04091001	INTAKE VALVE	1	
7	04091100	EXHAUST VALVE	1	
8	04005201	WASHER	2	
9	04005300	VALVE SPRING	2	
10	04005401	CUP	2	
11	02252200	COLLET	2	
12	04003710	ROCKER INLET	1	
13^		ROCKER, EXHAUST.....	1	NOT SOLD SEPARATELY
14*		GEAR HOLDER.....	1	NOT SOLD SEPARATELY
15*	03778401	SPRING SHEET	1	
16%		SHAFT ROCKER.....	1	NOT SOLD SEPARATELY
17	50117200	CIRCLIP	1	
18*	03365710	RATCHET F DECOMPR	1	
19*	03366001	SPRING	1	
20	03783000	ADJUSTING SCREW	2	
21	03173100	HEXAGON NUT	2	
22^		PIN, ROCKER EXHAUST.....	1	NOT SOLD SEPARATELY
23	50123800	BALL	1	
24	04004700	BUSH	1	
25	04004800	PRESSURE SPRING	1	
26	01245200	ADJUSTING SCREW	1	
27	50001100	JOINT A	1	
28	04048900	RUBBER, RING	1	
29%	40022401	O-RING	1	
30	50034700	PIN	1	
31	04009810	HANDLE	1	
35	04068800	GASKET F. CYLINDER HEAD 0.5 MM	1	
35	04240900	GASKET CYLINDER HEAD 0.55 MM	1	
36	04036800	GASKET F. CYLINDER HEAD 0.6 MM	1	
36	04241000	GASKET F. CYLINDER HEAD 0.65 MM	1	
37	04036500	GASKET F. CYLINDER HEAD 0.7 MM	1	
37	04241100	GASKET F. CYLINDER HEAD 0.75 MM	1	
38	04036600	GASKET F. CYLINDER HEAD 0.8 MM	1	
38	04241200	GASKET F. CYLINDER HEAD 0.85 MM	1	
39	04002700	GASKET F. CYLINDER HEAD 0.9 MM	1	
39	04241300	GASKET F. CYLINDER HEAD 0.95 MM	1	
40	04002800	GASKET F. CYLINDER HEAD 1.0 MM	1	
40	04241400	GASKET F. CYLINDER HEAD 1.05 MM	1	

HATZ 1D81S-325 ENGINE CYLINDER HEAD ASSY. (CONT'D.)

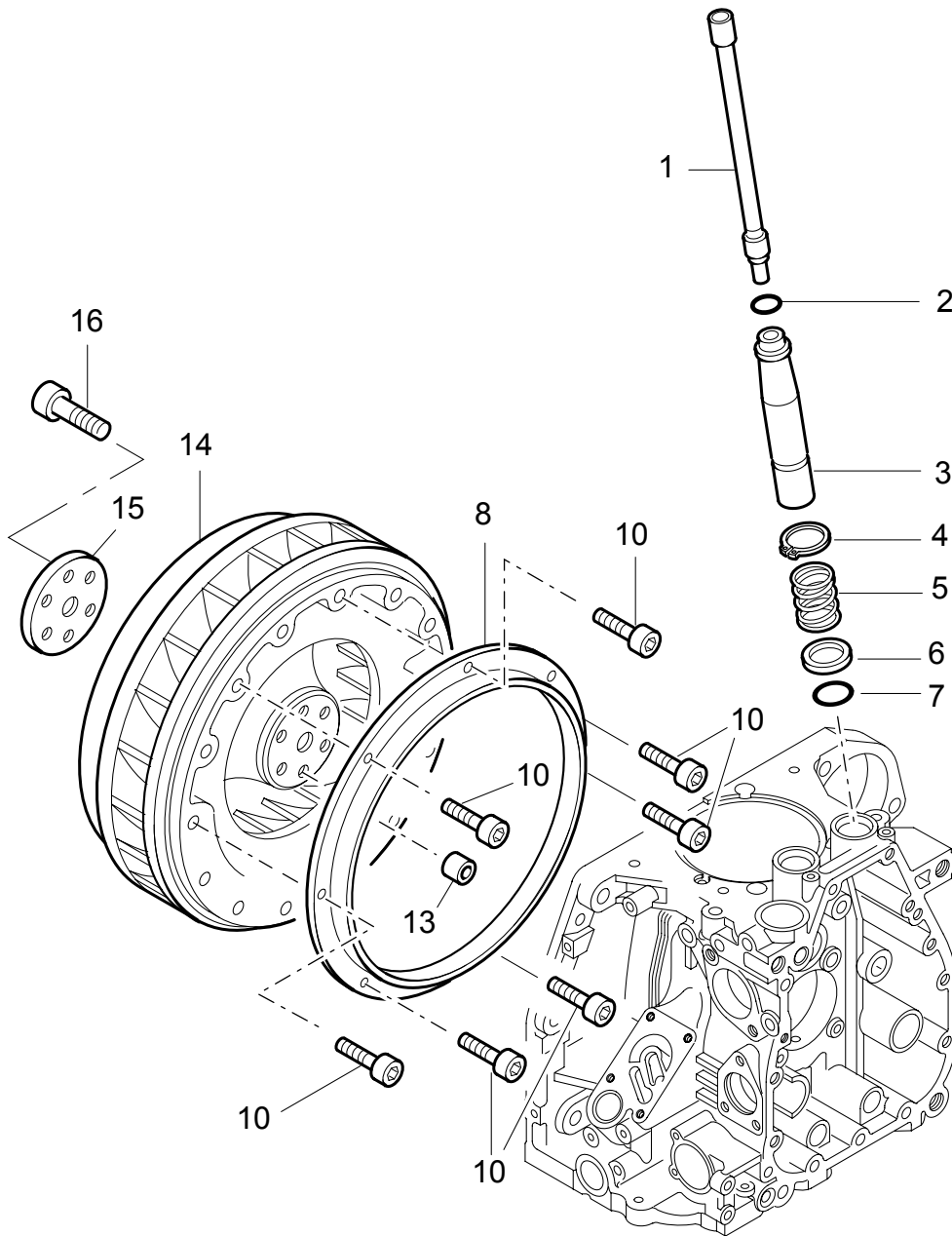


※ NOT SOLD SEPARATELY

HATZ 1D81S-325 ENGINE CYLINDER HEAD ASSY. (CONT'D.)

<u>NO.</u>	<u>PART NO.</u>	<u>PART NAME</u>	<u>QTY.</u>	<u>REMARKS</u>
41	04002900	GASKET F. CYLINDER HEAD 1.1 MM	1	
41	04241500	GASKET F. CYLINDER HEAD 1.15 MM	1	
42	04003000	GASKET F. CYLINDER HEAD 1.2 MM	1	
42	04241600	GASKET F. CYLINDER HEAD 1.25 MM	1	
43	04003100	GASKET F. CYLINDER HEAD 1.3 MM	1	
44	04003200	CYLINDER HEAD SCREW	2	
45	04003300	CYLINDER HEAD SCREW	2	
46	04006111	GASKET, ROCKER COVER	1	
47	01245414	COVER CYLINDER HEAD	1	
48	50081200	WASHER, LOCK	4	
49	50170800	ALLEN SCREW	4	
50	04008100	LIFTING BRACKET	1	
51	50366300	ALLEN SCREW	2	
52	50208500	WASHER, LOCK	2	
53	01493200	PLUG, FILTER, ASSY.	1	INCLUDES ITEMS W/@
54@		CAP, FILTER PLUG	1	NOT SOLD SEPARATELY
55@+	50326200	O-RING	2	
56@+		PLUG, FILTER	1	NOT SOLD SEPARATELY
57	01308301	CLOSING PLUG "S" W/O-RING & CAP	1	INCLUDES ITEMS W/+
60	01269700	OIL PRESSURE PIPE W/SPRING & ORINGS..	1	INCLUDES ITEMS W/#
61	03457500	DISC F. STUD	4	
66#	04004200	PRESSURE SPRING	1	
67#	50330100	O-RING	2	
72#		PIPE OIL PRESSURE	1	NOT SOLD SEPARATELY
83	50634900	VALVE STEM SEAL CAP	2	
85	01285010	ROCKER EXHAUST	1	INCLUDES ITEMS W/^
90	04104300	PIN	1	
91	01557600	GEAR, HOLDER, F. DECOMPR	1	INCLUDES ITEMS W/*

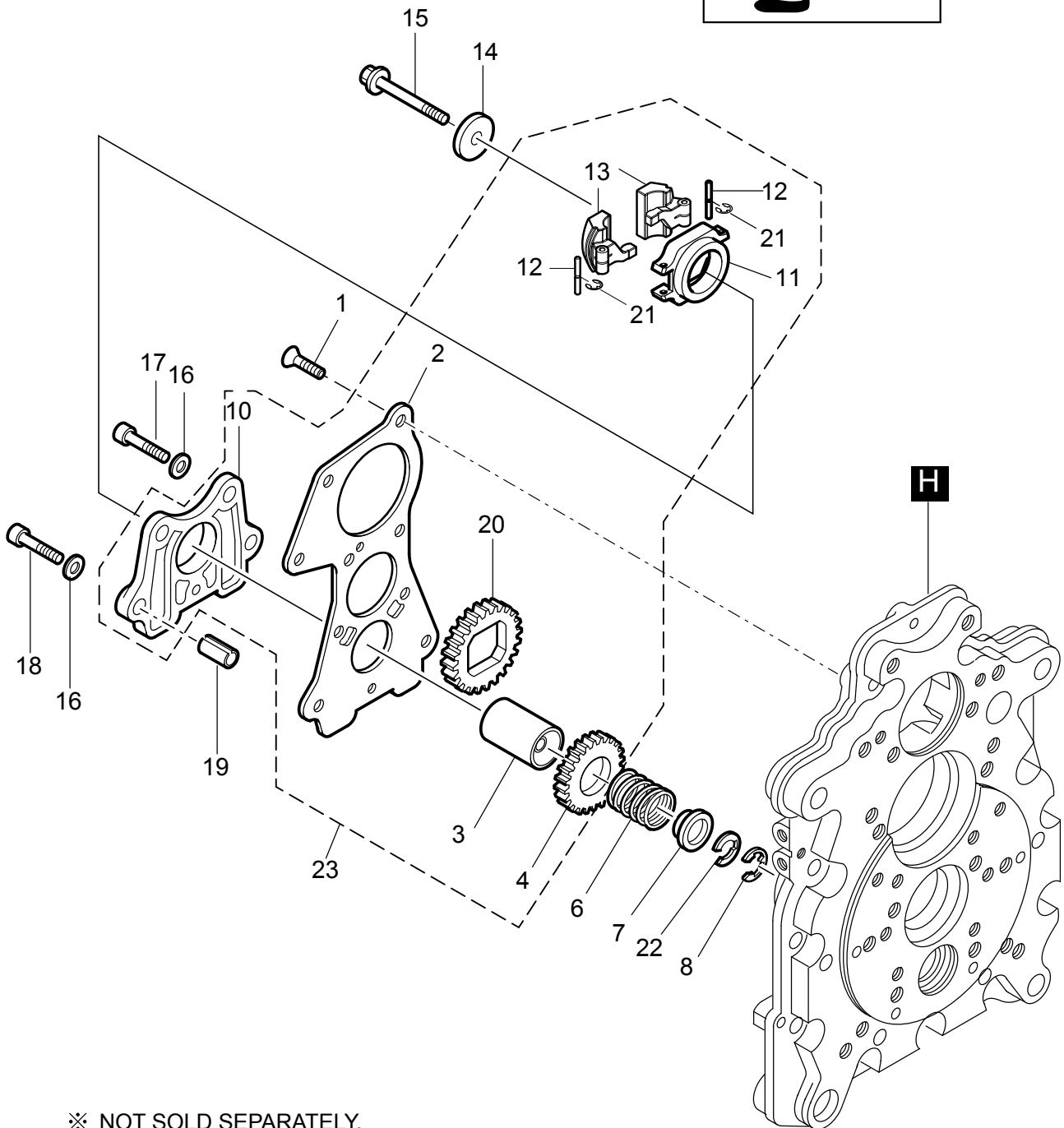
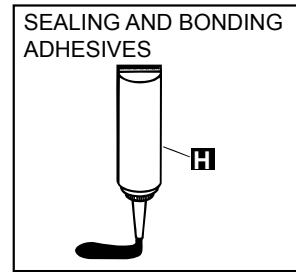
HATZ 1D81S-325 ENGINE PUSHROD, FLYWHEEL ASSY.



HATZ 1D81S-325 ENGINE PUSHROD, FLYWHEEL ASSY.

<u>NO.</u>	<u>PART NO.</u>	<u>PART NAME</u>	<u>QTY.</u>	<u>REMARKS</u>
1	01244310	PUSHROD	2	
2	50330200	O-RING	2	
3	04002500	PROTECTION TUBE	2	
4	50347000	CIRCLIP	2	
5	04002600	PRESSURE SPRING	2	
6	04002000	PRESSURE RING	2	
7	50330300	O-RING	2	
8	04007500	RING, FLYWHEEL	2	
10	50397100	ALLEN SCREW	1	
13	03123700	BUSHING	7	
14	04007133	FLYWHEEL	1	
15	04007410	PLATE	1	
16	50363100	ALLEN SCREW	6	

HATZ 1D81S-325 ENGINE OIL PUMP, GOVERNOR ASSY.

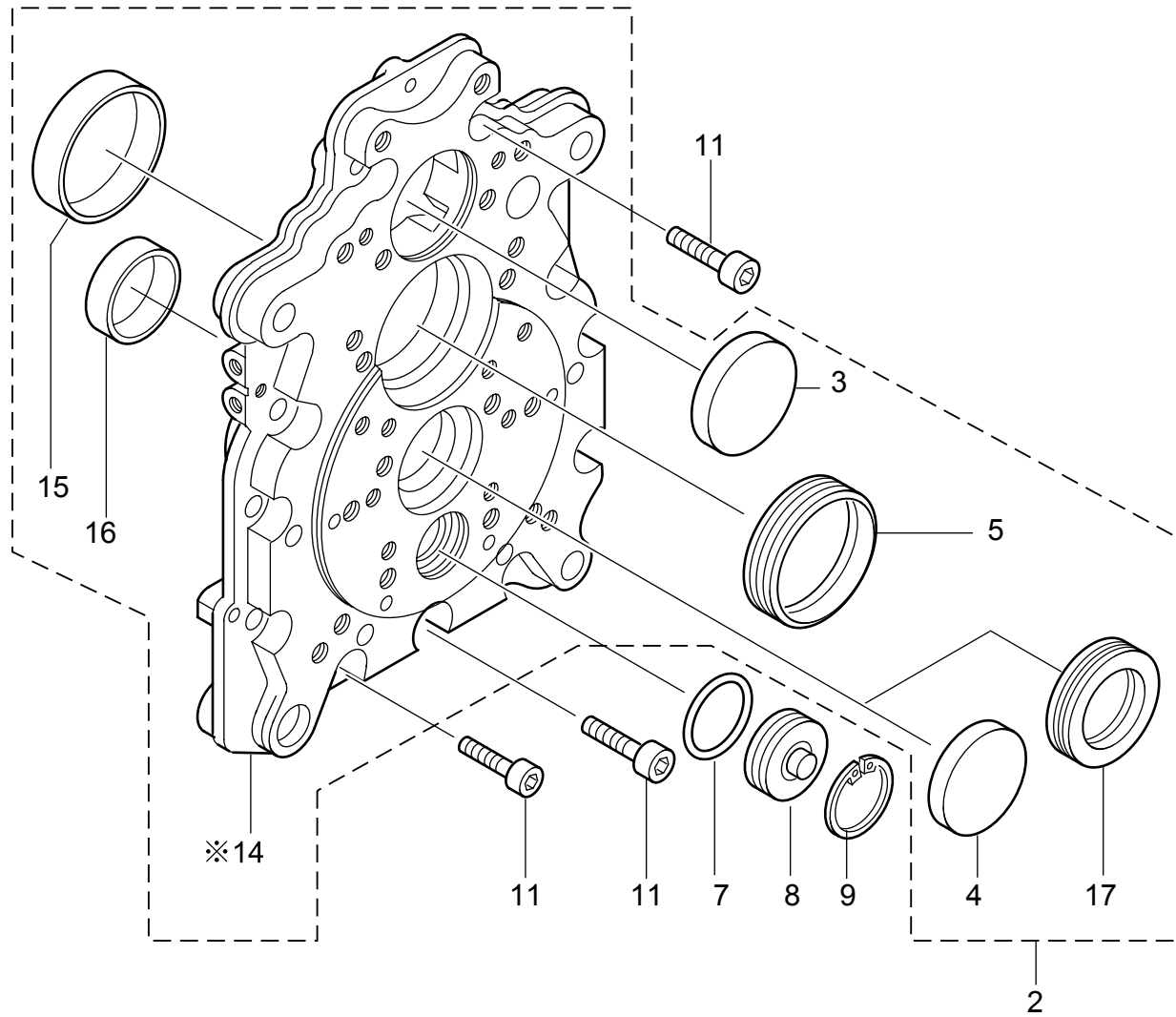


※ NOT SOLD SEPARATELY.

HATZ 1D81S-325 ENGINE OIL PUMP, GOVERNOR ASSY.

<u>NO.</u>	<u>PART NO.</u>	<u>PART NAME</u>	<u>QTY.</u>	<u>REMARKS</u>
H	70018944	TEROSON TEROSTAT 63	1	
1	50328000	COUNTERSUNK SCREW	5	
2\$	03797412	COVER, OIL PUMP	1	
3\$	01242401	SPRING CAPSULE + BUSH	1	
4\$	03797310	GEAR WHEEL	1	
6	04063400	GOVERNOR SPRING	1	
7	03798600	CUP	1	
8	50334700	CIRCLIP	1	
10\$	03797512	HOUSING FOR OIL PUMP	1	
11\$	04277100	PLATE, CENTRIFUGAL WEIGHT	1	
12\$	04277300	PIN	1	
13\$	04277202	FLYWEIGHT	1	
14	03797900	WASHER	1	
15	03797801	PIN	1	
16	50081200	WASHER, LOCK	5	
17	50170800	ALLEN SCREW	3	
18	50051000	ALLEN SCREW	2	
19	50084901	PIN	2	
20\$	03798720	GEAR WHEEL	1	
21\$	50594300	CIRCLIP	2	
22	04262500	CIRCLIP 0.3 MM	AR	
22	04046000	CIRCLIP 0.5 MM	AR	
23	01242330	SPRING SLEEVE ASSY.	1.....	INCLUDES ITEMS W/\$

HATZ 1D81S-325 ENGINE TIMING COVER ASSY.

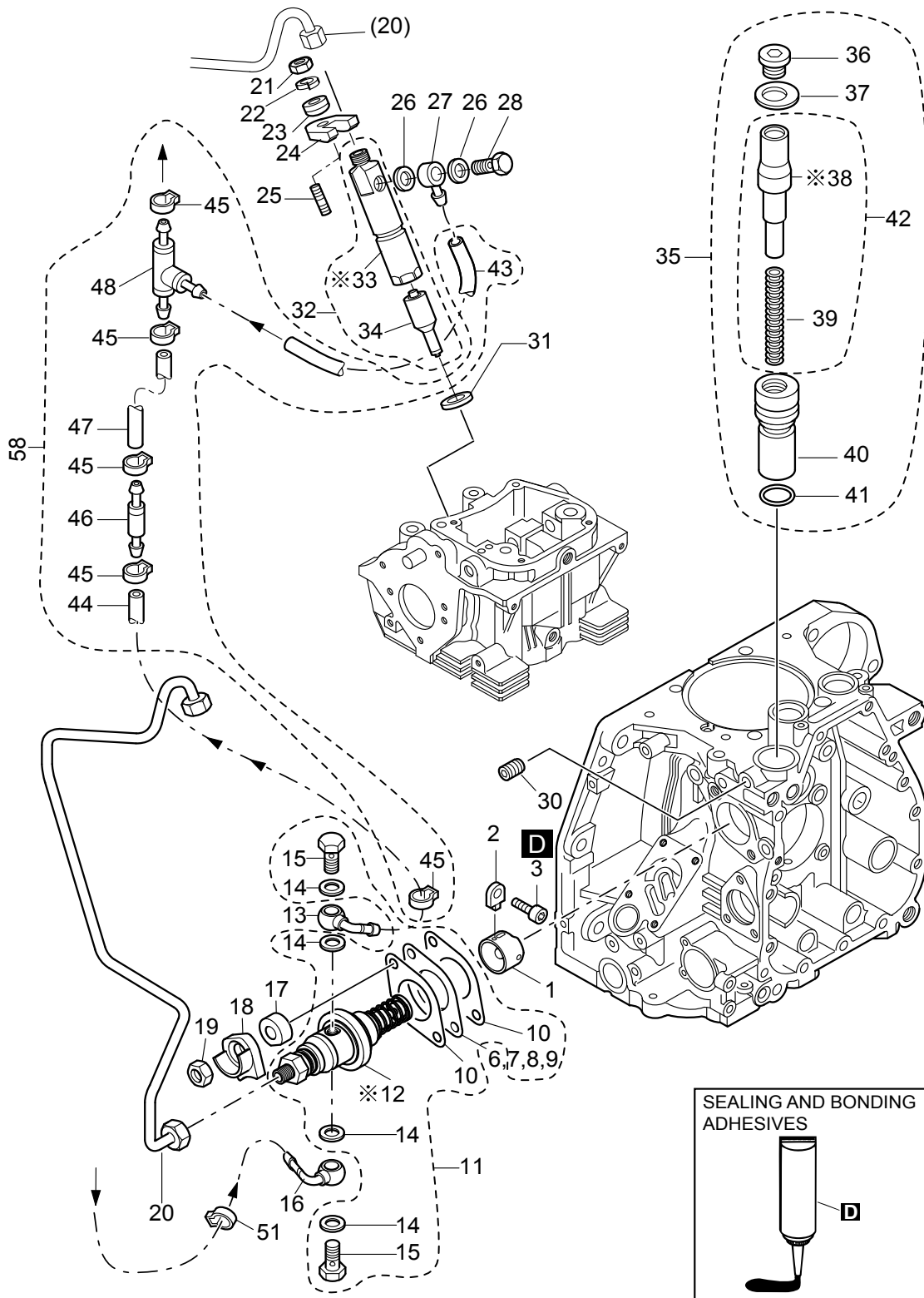


※ NOT SOLD SEPARATELY.

HATZ 1D81S-325 ENGINE TIMING COVER ASSY.

<u>NO.</u>	<u>PART NO.</u>	<u>PART NAME</u>	<u>QTY.</u>	<u>REMARKS</u>
2	01267731	TIMING COVER ASSY.....	1.....	INCLUDES ITEMS W/\$
3\$	50325600	COVER 50	1	
4\$	50325701	COVER 52	1	
5\$	50325811	OIL SEAL	1	
7	50330400	O-RING	1	
8	04000400	COVER	1	
9	50399000	CIRCLIP	1	
11	50417400	ALLEN SCREW	13	
14\$		TIMING COVER.....	1.....	NOT SOLD SEPARATELY
15\$	04000310	BEARING, BUSHING	1	
16\$	04023210	BEARING, BUSHING	1	
17\$	50364701	OIL SEAL	1	

HATZ 1D81S-325 ENGINE FUEL PUMP ASSY.

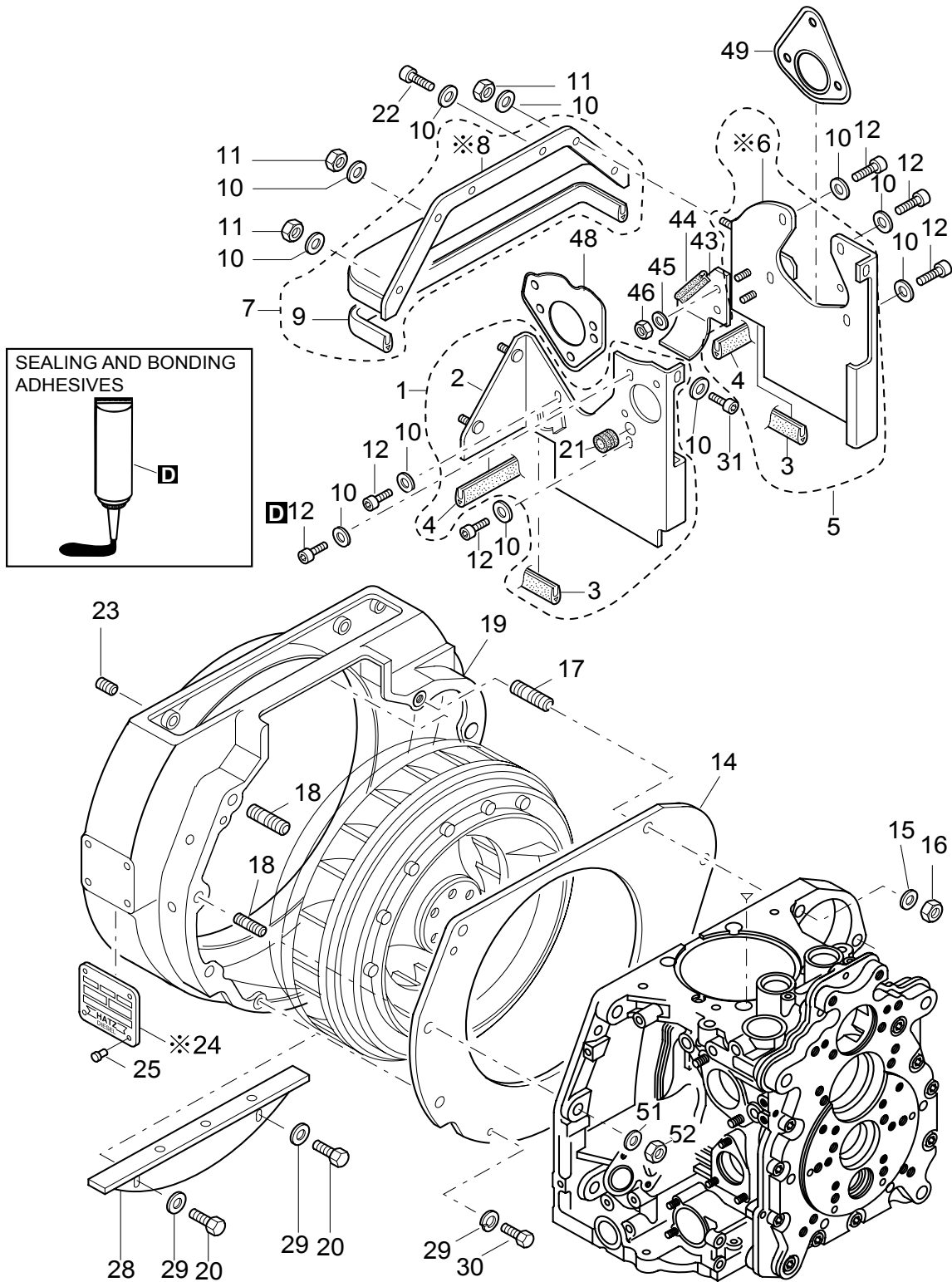


※ NOT SOLD SEPARATELY.

HATZ 1D81S-325 ENGINE FUEL PUMP ASSY.

<u>NO.</u>	<u>PART NO.</u>	<u>PART NAME</u>	<u>QTY.</u>	<u>REMARKS</u>
D	70018918	LOCTITE 221	1	
1	50492900	ROLLER TAPPET	1	
2	04169200	GUIDE	1	
3	50050700	ALLEN SCREW	1	
6	03209700	SHIM 0.30 MM	AR	
7\$	04102400	SHIM 0.60 MM	AR	
8\$	04102500	SHIM 0.90 MM	AR	
9\$	04102600	SHIM 1.20 MM	AR	
10\$	04071300	GASKET 0.10 MM	AR	
10	04102200	GASKET 0.20 MM	AR	
10	04102300	GASKET 0.30 MM	AR	
11	01864502	INJECTION PUMP ASSY.....	1	INCLUDES ITEMS W/\$
12\$		INJECTION PUMP.....	1	NOT SOLD SEPARATELY
13	05299701	BANJO CONNECTION	1	
14\$	50586300	PACKING RING	4	
15\$	50577801	BANJO BOLT	2	
16	05299701	BANJO CONNECTION	2	
17	04239300	SPACER	2	
18	04239100	CLAMP, INJECTION PUMP	2	
19	04244300	HEXAGON NUT	2	
20	01313620	FUEL PRESSURE PIPE	1	
21	020108060	HEXAGON NUT	1	REPLACES P/N 50148000
22	50208500	WASHER, LOCK	1	
23	04035700	WASHER	1	
24	03792401	FLANGE	1	
25	50038400	STUD	1	
26	50000800	JOINT A	2	
27	50333400	BANJO CONNECTION	1	
28	50313000	BANJO BOLT	1	
30	50004600	GRUB SCREW	1	
31	04185200	JOINT WASHER	1	
32	50567310	INJECTOR NOZZLE ASSY.....	1	INCLUDES ITEMS W/%
33%		INJECTOR NOZZLE BODY	1	NOT SOLD SEPARATELY
34%	50567410	INJECTOR NOZZLE	1	
35	01498902	PISTON CYLINDER ASSY.	1	INCLUDES ITEMS W/@
36@	50330800	CLOSS SCREW	1	
37@	04001600	DISC	1	
38@#		PISTON CYLINDER	1	NOT SOLD SEPARATELY
39@#	05035200	PRESSURE SPRING	1	
40@	04001410	CYLINDER F. EXTR. FUEL DEV	1	
41@	50328900	O-RING	1	
42	01519500	PISTON W/SPRING	1	INCLUDES ITEMS W/#
43+	03962110	FUEL HOSE	1	
44+	05310200	FUEL PIPE	1	
45+	50570900	CLAMP	5	
46+	00805502	VENT VALVE	1	
47+	05310100	FUEL PIPE	1	
48+	03989601	HOSE NIPPLE T	1	
51	50590000	CLAMP	1	
58	01189910	FUEL PIPE ASSY.....	1	INCLUDES ITEMS W/+

HATZ 1D81S-325 ENGINE AIR DUCTING ASSY.

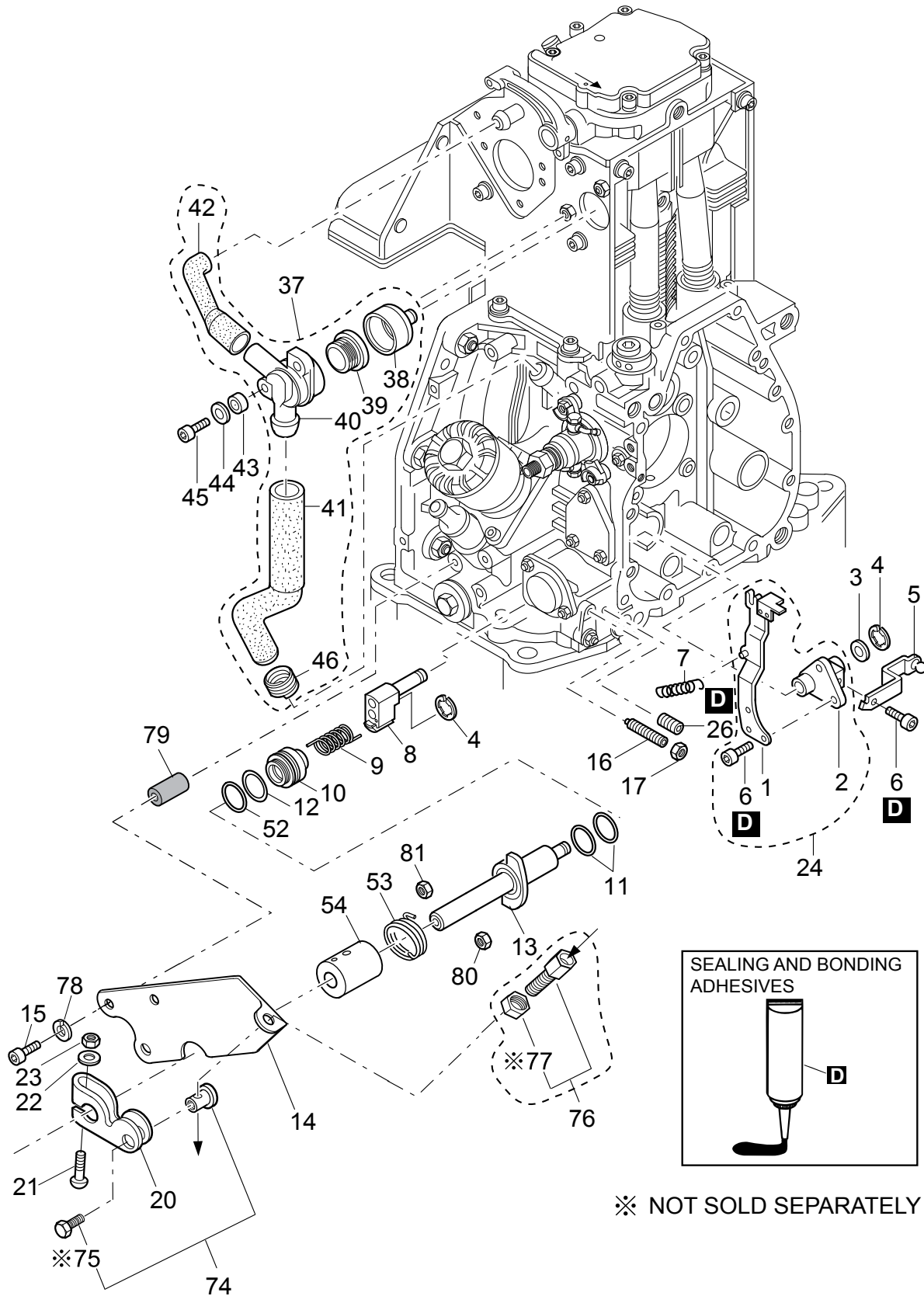


※ NOT SOLD SEPARATELY.

HATZ 1D81S-325 ENGINE AIR DUCTING ASSY.

<u>NO.</u>	<u>PART NO.</u>	<u>PART NAME</u>	<u>QTY.</u>	<u>REMARKS</u>
D	50223300	LOCTITE 221	1	
1	01246223	COOLING AIR DUCTING	1	INCLUDES ITEMS W/\$
2\$		AIR DUCT BRACKET	1	NOT SOLD SEPARATELY
3\$@	04007601	SEALING STRIP 35 MM	2	
4\$@	04007720	SEALING STRIP 76 MM	2	
5	01246413	COOLING AIR DUCTING	1	INCLUDES ITEMS W/@
6@		AIR DUCT BRACKET	1	NOT SOLD SEPARATELY
7	01246600	COOLING AIR DUCTING, UPPER	1	INCLUDES ITEMS W/#
8#		AIR DUCT UPPER.....	1	NOT SOLD SEPARATELY
9#	04007901	SEALING STRIP	1	
10	50390701	CON. WASHER, LOCK	15	
11	020106050	HEXAGON NUT	4	REPLACES P/N 50144400
12	50528100	ALLEN SCREW	7	
14	04008500	PARTING SHEET	1	
15	50093700	WASHER, FLAT	2	
16	50093600	HEXAGON NUT	2	
17	50475000	STUD	2	
18	50474900	STUD	4	
19	01689100	HOUSING, INTERMEDIATE	1	
20	50333500	HEXAGON SCREW	AR	
21\$	50334800	RUBBER SLEEVE	1	
22	50416800	ALLEN SCREW	2	
23	50226000	GRUB SCREW	4	
24		MODEL ID PLATE.....	1	CONTACT MQ PARTS DEPT.
25	40002500	RIVET	4	
28	04080410	COVER, BLOWER DUCTING	AR	
29	50170900	WASHER, LOCK	AR	
30	50177100	HEXAGON SCREW	2	
31	50416800	ALLEN SCREW	2	
43	01268010	COOLING AIR DUCT	1	
44	04038800	SEALING STRIP 94 MM	1	
45	50120000	WASHER, FLAT	2	
46	50328300	HEXAGON NUT	2	
48	04125700	SEALING PLATE	1	
49	04125601	SEALING PLATE	1	
51	50093700	WASHER, FLAT	4	
52	50093600	HEXAGON NUT	4	

HATZ 1D81S-325 ENGINE SPEED CONTROL ASSY.



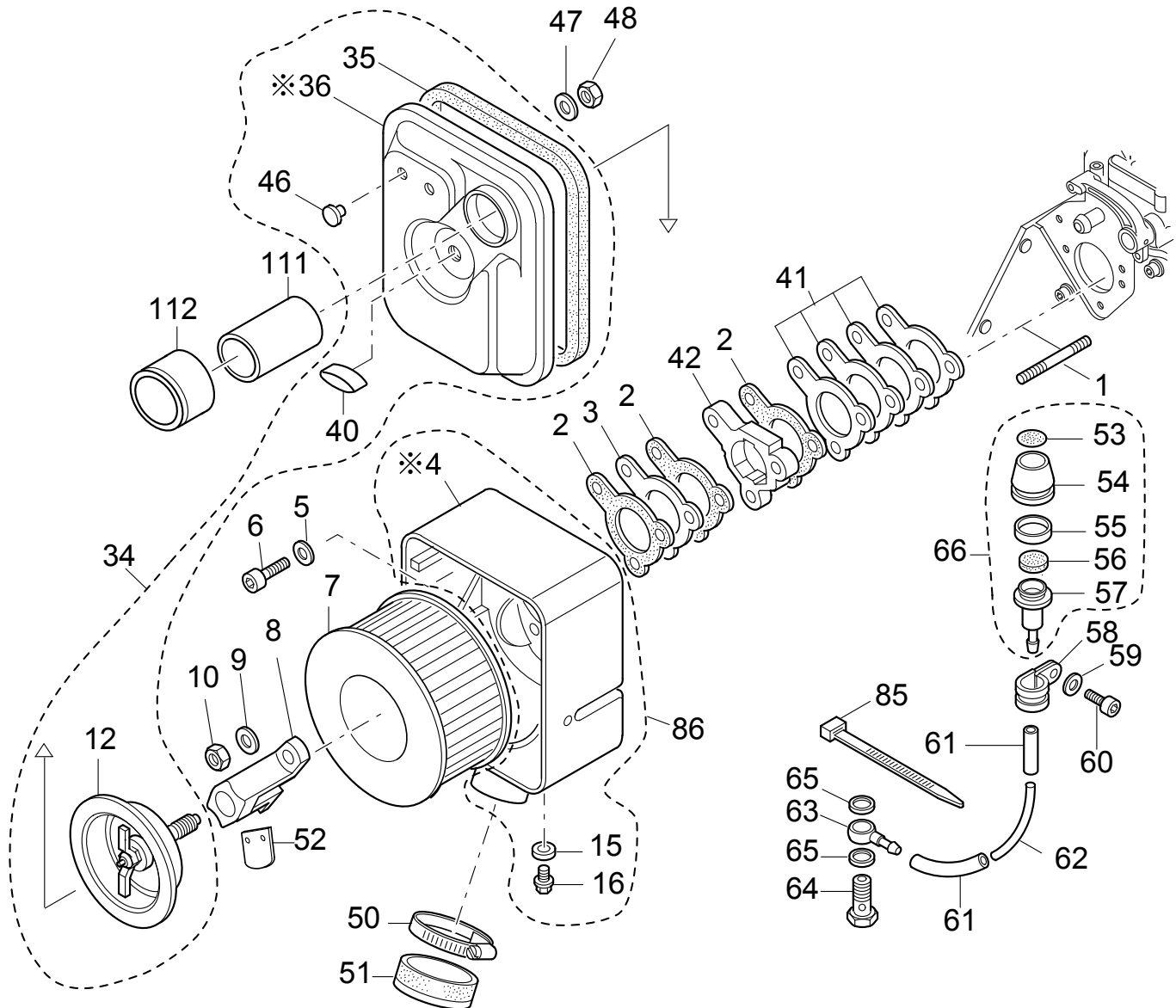
HATZ 1D81S-325 ENGINE SPEED CONTROL ASSY.

<u>NO.</u>	<u>PART NO.</u>	<u>PART NAME</u>	<u>QTY.</u>	<u>REMARKS</u>
D	50223300	LOCTITE 221	1	
1\$		LEVER, SPEED CONTROL	1	NOT SOLD SEPARATELY
2\$		BRACKET, SPEED CONTROL	1	NOT SOLD SEPARATELY
3	04000100	SHIM	1	
4	50266100	CIRCLIP	2	
5	04037500	LEVER	1	
6\$	50328701	ALLEN SCREW	4	
7	04000200	TENSION SPRING	1	
8	01242811	GUIDE	1	
9	03799010	THIGH SPRING	1	
10	04052710	SPACER RING	1	
11	50412900	O-RING	2	
12	50129900	O-RING	1	
13	01279222	STOP RING. SPD. CONT. S	1	
14	03975602	CONSOLE	1	
15	50170600	ALLEN SCREW	3	
16	50507801	GRUB SCREW	2	
17	020106050	HEXAGON NUT	2	REPLACES P/N 50144400
20	03975801	LEVER	1	
21	03927301	SCREW	1	
22	50144500	WASHER, FLAT	1	
23	50346500	HEXAGON NUT	1	
24	01246803	SPEED CONTROL, ASSY.	1	INCLUDES ITEMS W/\$
26	50403500	GRUB SCREW	1	
37	01317000	VALVE, BREATHER, ASSY.	1	INCLUDES ITEMS W/@
38@	04080300	BREATHER CUP	1	
39@	03568701	DIAPHRAGM	1	REPLACES P/N 03568700
40@		BREATHER VALVE	1	NOT SOLD SEPARATELY
41@	04074700	BREATHER HOSE	1	
42@	04074800	BREATHER HOSE	1	
43	04080500	BUSH	2	
44	50081200	WASHER, LOCK	2	
45	50170700	ALLEN SCREW	2	
46@	04090500	CLAMP	1	
52	50453600	SUPPORTING DISC	1	
53	05046800	THIGH SPRING	1	
54	01494101	COUPLING SHELL	1	
74	50642000	CABLE CLAMPING ASSY.	1	INCLUDES ITEMS W/#
75#		BOLT, HEX. HD.	1	NOT SOLD SEPARATELY
76	50374400	ADJUSTING SCREW W/NUT.....	1	INCLUDES ITEM W/%
77%		NUT, HEX.....	1	NOT SOLD SEPARATELY
78	50170900	WASHER, LOCK	3	
79	04021000	BUSHING	3	
80	05179300	NUT. HEX.	1	
81	50328300	NUT, HEX.	2	

HATZ 1D81S-325 ENGINE FUEL TANK ASSY.

<u>NO.</u>	<u>PART NO.</u>	<u>PART NAME</u>	<u>QTY.</u>	<u>REMARKS</u>
2	01494200	FUEL TANK ASSY.....	1.....	INCLUDES ITEMS W/\$
3	05097600	WASHER	12	
4\$	03981802	RUBBER WASHER	12	
5\$	03981701	BUSH	6	
6\$	03981900	RUBBER SHELL	4	
7\$		FUEL TANK.....	1.....	NOT SOLD SEPARATELY
8	03989800	BUSH	2	
9	50377001	STUD	2	
10\$	50177500	ALLEN SCREW	4	
11\$	50385801	CAP, FUEL TANK	1	
12@	05323600	FUEL HOSE	1	
13@	50478800	FUEL FILTER, IN-LINE	1	
14@	05330000	FUEL HOSE	1	
15@	50523800	CLAMP	1	
16@	05240400	NIPPLE	1	
17@	50570900	CLAMP	1	
18@	03664310	FUEL HOSE	1	
19	01473610	FUEL FILTER W/HOSES	1.....	INCLUDES ITEMS W/@
20	50387300	FUEL FILTER/SIEVE	1	
21\$	50001000	JOINT A	1	
22\$	05126000	DRAIN PLUG	1	
23\$	05029200	BUSH	4	
24	03663710	FUEL HOSE	1	
25	01490300	PROTECT GUARD TOP W/SEAL.....	1.....	INCLUDES ITEMS W/%
26%		PROTECT GUARD	1.....	NOT SOLD SEPARATELY
27%	04030901	SEALING STRIP	1	
28	04008100	BRACKET, LIFTING	1	
30	50183000	ALLEN SCREW	1	
31	020108060	HEXAGON NUT.....	2.....	REPLACES P/N 50148000
32	50208500	WASHER, LOCK	6	
46	50177100	HEXAGON SCREW	1	
47	50158400	PIPE CLIP 14/15	2	
48	50144500	WASHER, FLAT	1	
49	020106050	HEXAGON NUT	1.....	REPLACES P/N 50144400
50	05031900	GUARD/FILTER	1	
51	50590000	CLAMP	1	
52\$	05235602	STICKER "DIESEL"	1	
53	04098400	SPACER TUBE	1	
54	50170900	WASHER, LOCK	1	
55	50323900	ALLEN SCREW	1	

HATZ 1D81S-325 ENGINE AIR FILTER ASSY.

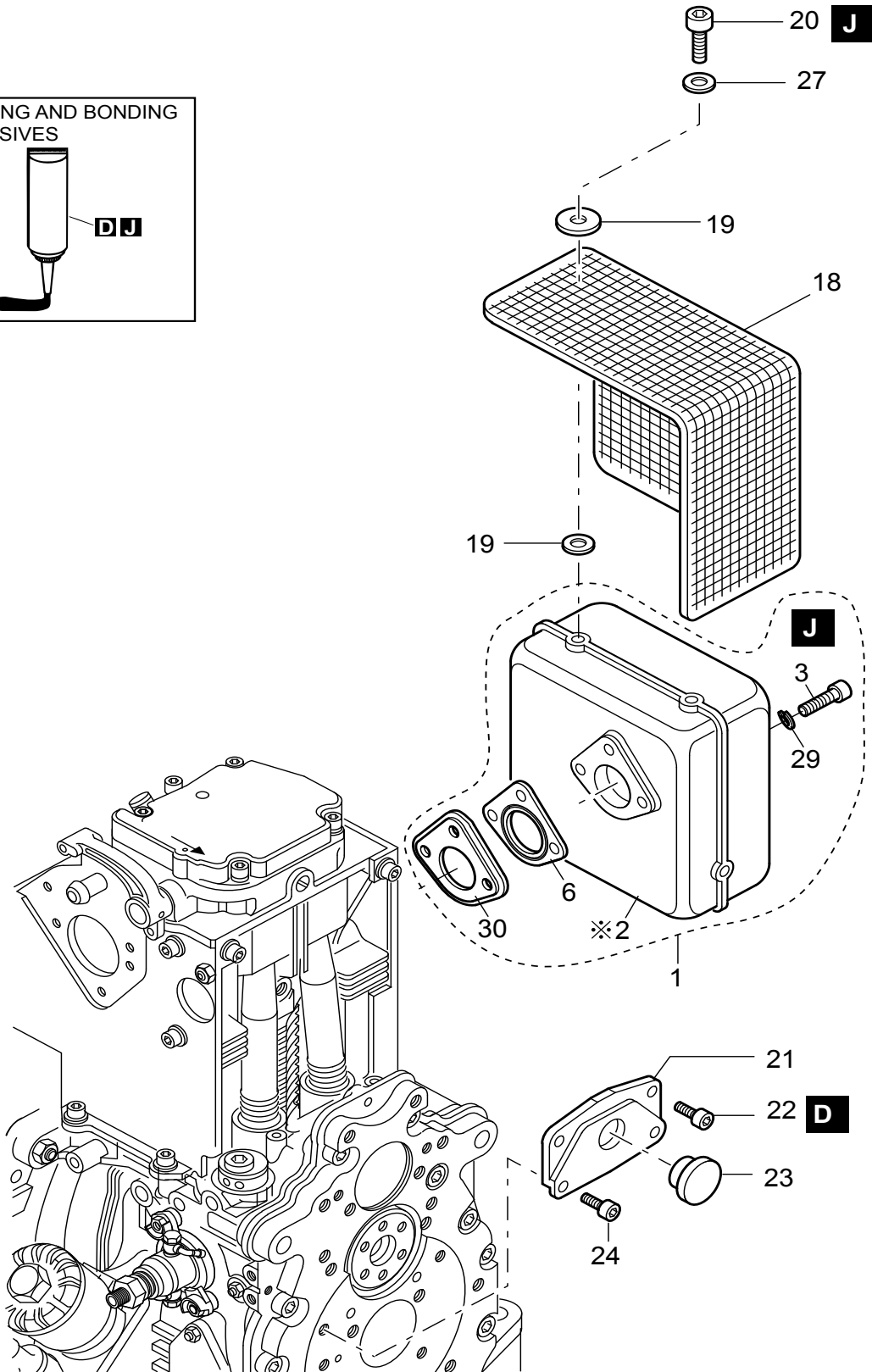
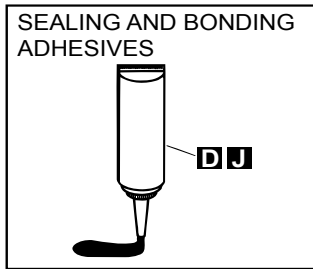


※ NOT SOLD SEPARATELY.

HATZ 1D81S-325 ENGINE AIR FILTER ASSY.

<u>NO.</u>	<u>PART NO.</u>	<u>PART NAME</u>	<u>QTY.</u>	<u>REMARKS</u>
1	50038900	STUD	2	
2	04006300	GASKET, AIR FILTER	3	
3	04006200	INSULATING FLANGE	1	
4%		HOUSING, AIR CLEANER.....	1.....	NOT SOLD SEPARATELY
5	50095100	WASHER, LOCK	1	
6	50398400	ALLEN SCREW	1	
7	01493000	ELEMENT, AIR FILTER	1	
8	01483401	RETAINING BRACKET	1	
9	50148100	WASHER, FLAT	2	
10	50129500	HEXAGON NUT	2	
12#	02024200	CENTER RING COVER	1	
15%	50062400	JOINT A	1	
16%	50062300	ALLEN SCREW	1	
34	02280100	COVER, AIR FILTER, ASSY.	1.....	INCLUDES ITEMS W/#
35%#	04047701	SEAL STR. LG	1	
36#		COVER, AIR FILTER.....	1.....	NOT SOLD SEPARATELY
40#	50452200	WING SCREW	1	
41	01287900	GASKET, AIR FILTER	1	
42	04047300	INTERMEDIATE FLANGE	1	
46#		PLUG, AIR FILTER COVER.....	2.....	NOT SOLD SEPARATELY
47	50120000	DISC	2	
48	50602400	NUT	2	
50	50406600	HOSE CLIP	2	
51	00575900	CAP	1	
52	05033500	VALVE PLATE	1	
53\$	05044501	INDICATOR. PLATE	1	
54\$	05043601	RUBBER CAP	1	
55\$	05045600	SIGNAL RING	1	
56\$	05137200	FILTER, MAINTENANCE INDICATOR	1	
57\$	05043700	ADAPTER	1	
58	50173500	PIPE CLIP	1	
59	50170900	WASHER, LOCK	1	
60	50170600	ALLEN SCREW	1	
61	05325400	FUEL HOSE	2	
62	05043800	HOSE	1	
63	50159500	RING PIECE	1	
64	50006200	BANJO BOLT	1	
65	50062400	JOINT A	2	
66	01499801	MAINTENANCE INDICATOR, ASSY.	1.....	INCLUDES ITEMS W/\$
85	50358400	STRAP	1	
86	01486601	AIR FILTER HOUSING, ASSY., W/SEAL.....	1.....	INCLUDES ITEMS W/%
111	469467010	INTAKE PIPE, CLEANER	1	
112	466462840	DUCT GROMMET	1	

HATZ 1D81S-325 ENGINE MUFFLER ASSY.

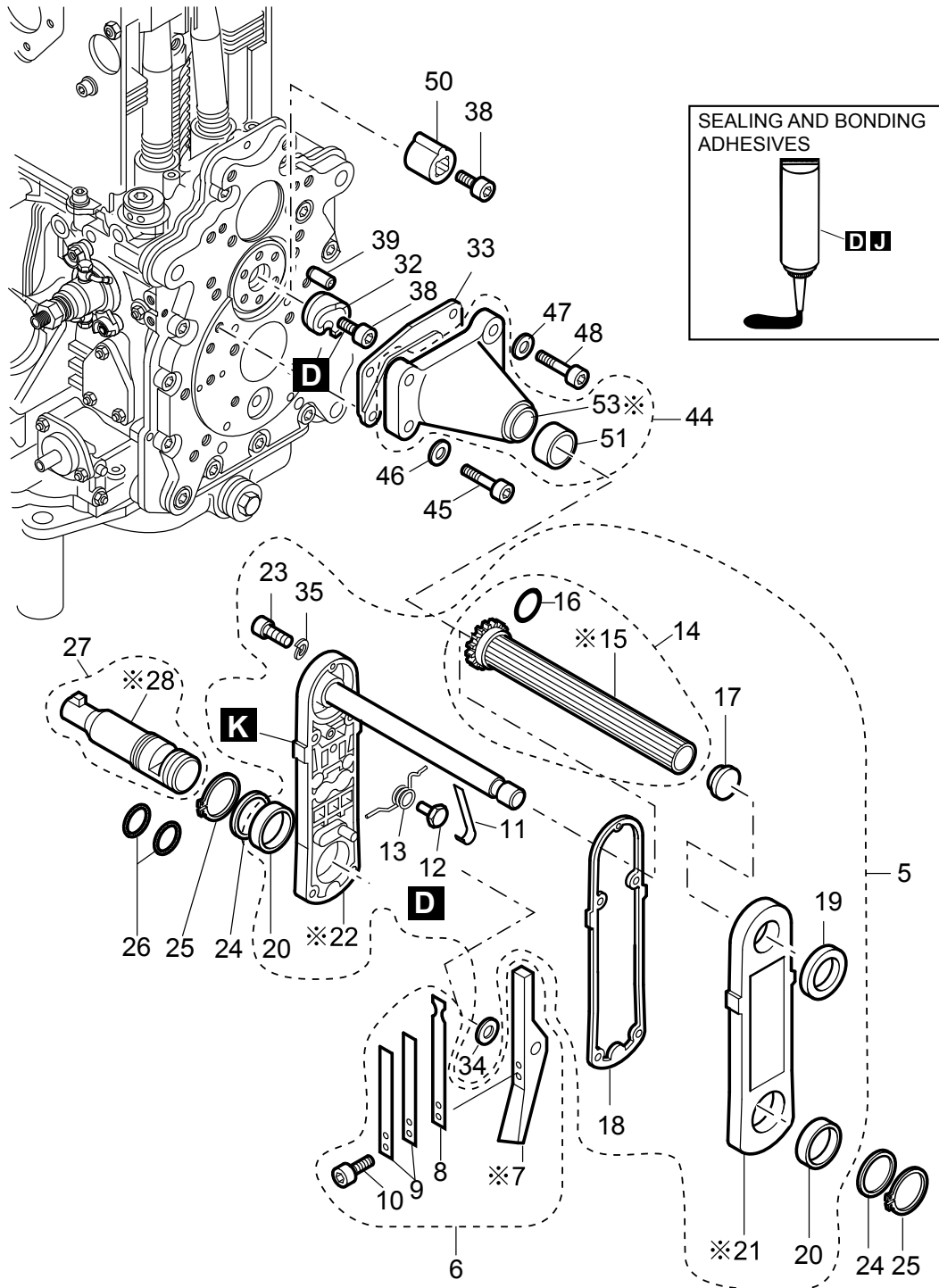


※ NOT SOLD SEPARATELY

HATZ 1D81S-325 ENGINE MUFFLER ASSY.

<u>NO.</u>	<u>PART NO.</u>	<u>PART NAME</u>	<u>QTY.</u>	<u>REMARKS</u>
D	50223300	LOCTITE 221	1	
J	50283004	HIGH TEMPERATURE PASTE	1	
1	01498803	EXHAUST SILENCER ASSY.	1.....	INCLUDES ITEMS W/\$
2\$		SILENCER, EXHAUST	1.....	NOT SOLD SEPARATELY
3\$	50404000	ALLEN SCREW	3	
6\$	03974300	GASKET EXHAUST SILENCER	1	
18	01191902	MUFFLER, GUARD	1	
19	05034202	WASHER, LOCK	10	
20	50255700	ALLEN SCREW	5	
21	03985300	GUARD	1	
22	50135700	ALLEN SCREW	2	
23	40091400	CLOSING CAP	1	
24	50165400	ALLEN SCREW	2	
27	50120000	WASHER, FLAT	5	
29\$	50208500	WASHER, LOCK	3	
30\$	04125601	SEALING PLATE	1	

HATZ 1D81S-325 ENGINE STARTING HANDLE ASSY.



※ NOT SOLD SEPARATELY.

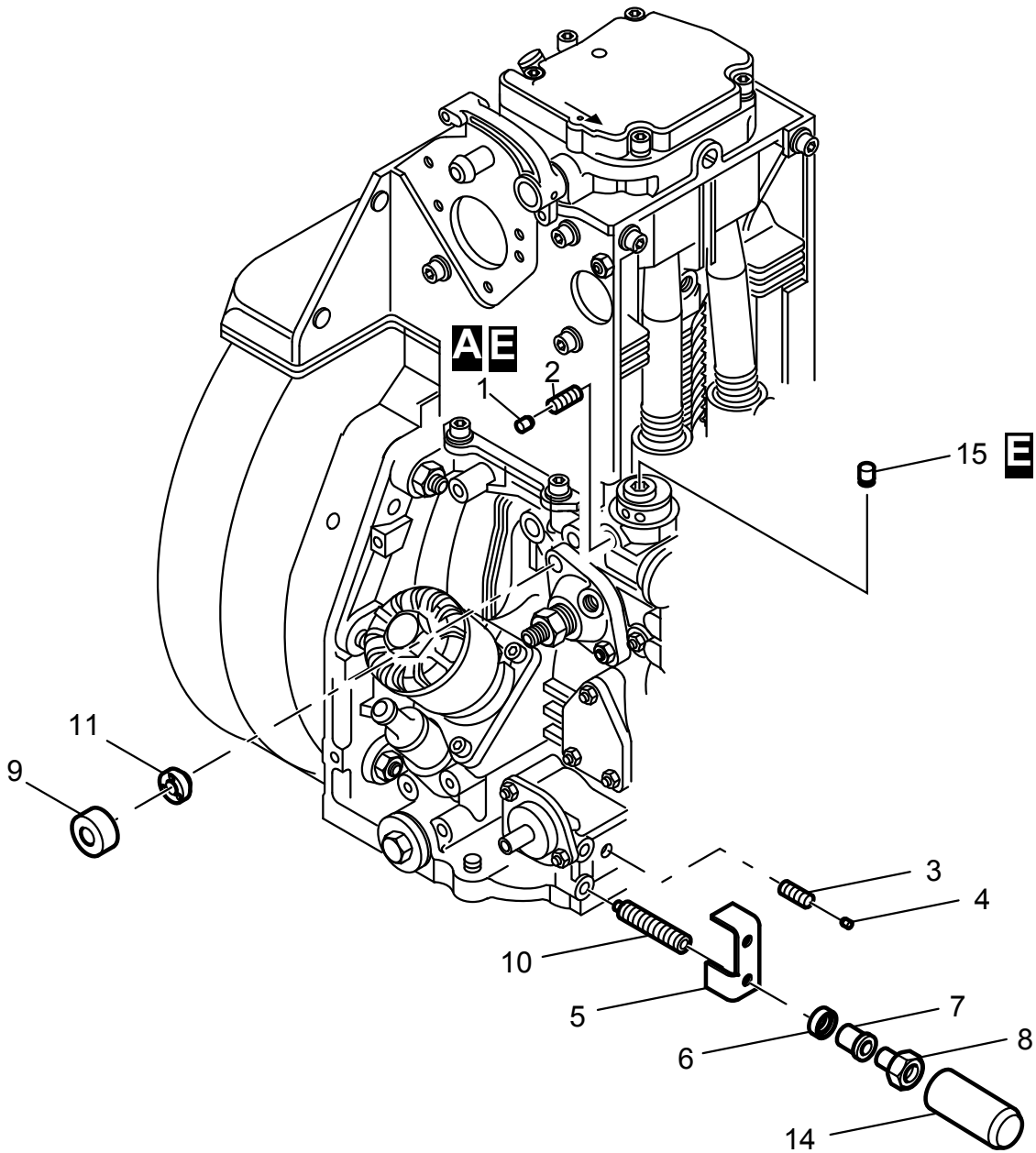
HATZ 1D81S-325 ENGINE STARTING HANDLE ASSY.

<u>NO.</u>	<u>PART NO.</u>	<u>PART NAME</u>	<u>QTY.</u>	<u>REMARKS</u>
D	50223300	LOCTITE 221	1	
K	50342600	HIGH TEMPERATURE FETT	1	
5	01027805	CRANK HANDLE-SAFETY, ASSY.	1	INCLUDES ITEMS W/\$
6\$	01011404	LEVER, ASSY.	1	INCLUDES ITEMS W/@
7\$@		LEVER	1	NOT SOLD SEPARATELY
8\$@	03812102	PLATE SPRING	1	
9\$@	03917100	PLATE SPRING	2	
10\$@	50316500	ALLEN SCREW	2	
11\$	03954900	PLATE SPRING	1	
12\$	03955600	HEXAGON SCREW	1	
13\$	03955900	SPRING A	1	
14\$	01011310	HANDLE, OUTER W/O-RING	1	INCLUDES ITEMS W/#
15\$#		HANDLE, OUTER.....	1	NOT SOLD SEPARATELY
16\$#	50169100	O-RING	1	
17\$	50199200	CLOSING PLUG	1	
18\$	03813000	GASKET	1	
19\$	50194200	OIL SEAL	1	
20\$	50193400	BUSH	2	
21\$		HOLDER, CRANK HANDLE, OUTER	1	NOT SOLD SEPARATELY
22\$		HOLDER, CRANK HANDLE, INNER.....	1	NOT SOLD SEPARATELY
23\$	50236600	ALLEN SCREW	5	
24	03928610	SHIM	2	
25	50194300	CIRCLIP	2	
26	50258500	O-RING	2	
27	01187202	SHAFT, CRANK HANDLE	1	INCLUDES ITEM W/+
28+		SHAFT	1	NOT SOLD SEPARATELY
32	04020310	CRANK JOW LEFT	1	
33	03985300	GUARD	1	
34\$	50195800	SHIM	1	
35\$	50170900	WASHER, LOCK	5	
38	50134900	ALLEN SCREW	1	
39	50387100	CYLINDER PIN	1	
44	01459500	GUIDING SHELL, W/BUSHING.....	1	INCLUDES ITEM W/%
45	50183000	ALLEN SCREW	2	
46	50148100	WASHER, FLAT	2	
47	50145900	WASHER, FLAT	2	
48	50327800	ALLEN SCREW	2	
50	04082900	CRANKING DEVICE	1	
51%	50387601	BUSHING 1"	1	
53%		GUIDING SHELL	1	NOT SOLD SEPARATELY

HATZ 1D81S-325 ENGINE STARTING MOTOR ASSY.

<u>NO.</u>	<u>PART NO.</u>	<u>PART NAME</u>	<u>QTY.</u>	<u>REMARKS</u>
1	50486400	STUD	2	
2	50495901	STARTING MOTOR ASSY.	1	
3	50093700	WASHER, FLAT	2	
4	50380600	HEXAGON NUT	2	
5	05001200	CLIP	2	
6	50149100	ALLEN SCREW	2	
7	50208500	WASHER, LOCK	4	
8	020108060	HEXAGON NUT	2	REPLACES P/N 50148000
9	50144500	WASHER, FLAT	1	
11	01592400	COIL ASSY. 12V 200W	1	INCLUDES ITEMS W/\$
12\$		COIL.....	1	NOT SOLD SEPARATELY
13\$	50448800	ALLEN SCREW	1	
14\$	50390701	CON. WASHER, LOCK	2	
15\$	50448700	ALLEN SCREW	1	
17	04021100	PROTECT. ALTERNATOR	1	
18	04009920	PARTING SHEET	1	
19	50272201	OIL PRESSURE SWITCH	1	
20	01558300	ELECTRIC WIRE	1	REPLACES P/N 01462800
21	50165500	HEXAGON SCREW	5	
22	50170900	WASHER, LOCK	6	
23	04021210	GEAR, RING	1	
24	50144500	WASHER, FLAT	2	
26	01440303	SUPPORT	1	
27	50183000	ALLEN SCREW	2	
28	01983800	REGULATOR 12V	1	
29	01440100	FASTENING PLATE	1	
30	50422501	COUNTER SUNK SCREW	2	
31	50373700	PLUG SLEEVE HOUSING	1	
32	50373600	PIN TERM. HOUSING 6-WAY	1	
33	50216300	WASHER	2	
34	50335700	HEXAGON SCREW	2	
35	50402100	PLUG SLEEVE HOUSING	1	
36	50402000	PLUG HOUSING 4-P	1	
37	50358400	STRAP	4	
38	01440200	SUPPORT	1	
42	05023900	CLIP	2	
43	50379700	PLUG HOUSING 2-P	1	
44	01439400	WIRING HARNESS	1	
46	40026600	PROTECTION CAP	1	
58	01193401	ELECT. WIRE STARTER	1	
59	01587300	MAGNETIC RING, ASSY. 200W	1	INCLUDES ITEMS W/%
60%		MAGNETIC RING	1	NOT SOLD SEPARATELY
61%	50446900	ALLEN SCREW	14	
62	50344700	HEXAGON NUT	1	

HATZ 1D81S-325 ENGINE SPEC. EQUIPMENT ASSY.



HATZ 1D81S-325 ENGINE SPEC. EQUIPMENT ASSY.

<u>NO.</u>	<u>PART NO.</u>	<u>PART NAME</u>	<u>QTY.</u>	<u>REMARKS</u>
A	50223001	LOCTITE ACTIVATOR N	1	
E	50223400	LOCTITE 574	1	
1	04167010	CLOSING PLUG	1	
2	50004600	GRUB SCREW	1	
3	50403500	GRUB SCREW	1	
4	04153700	CLOSING PLUG	1	
5	04153800	SUPPORT	1	
6	04134200	DISC	1	
7	04129700	BUSHING	1	
8	04126700	THREADED BUSHING	1	
9	04244500	CAP	2	
10	50507800	GRUB SCREW	2	
11	04239200	SECURING NUT	2	
14	04187700	CAP	1	
15	04205900	CLOSING PLUG	1	