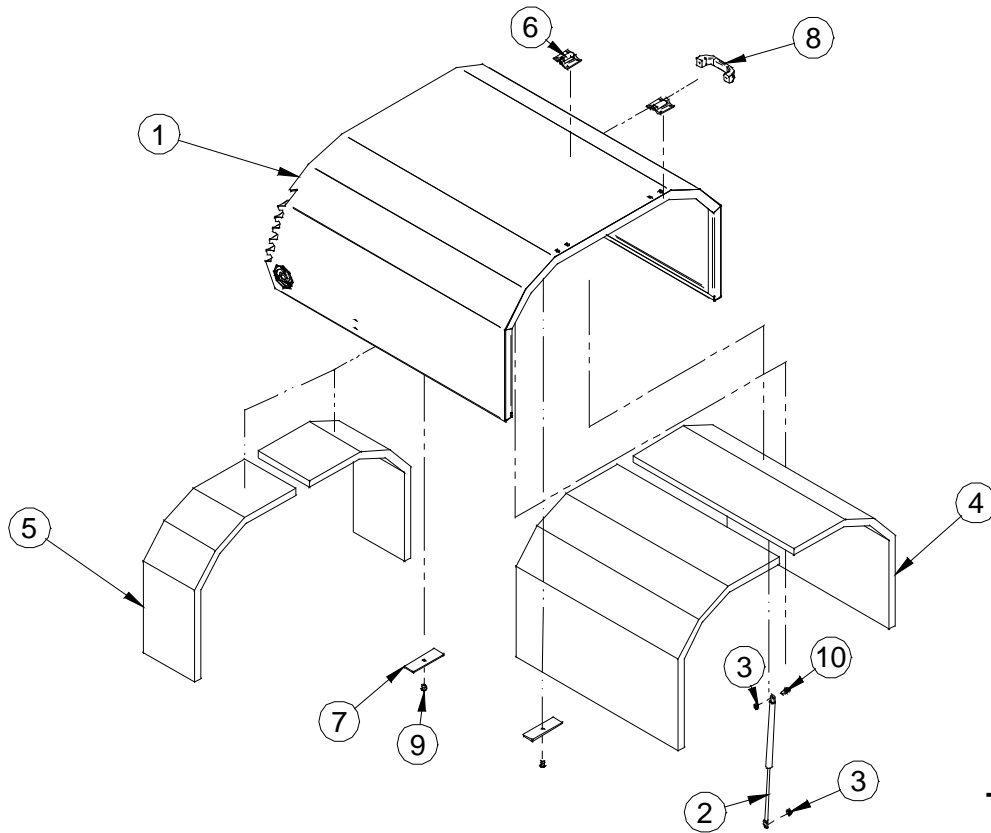


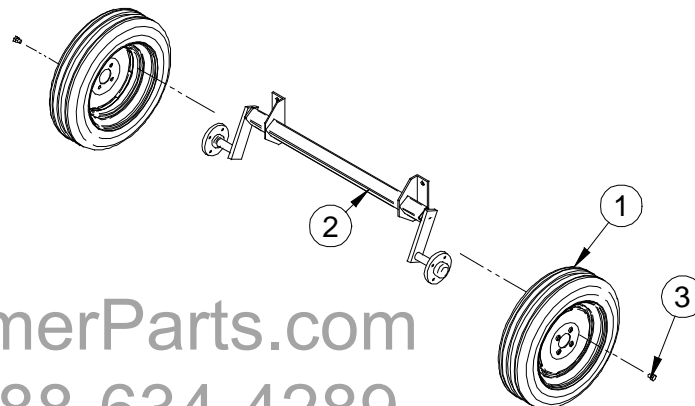
**TAV. 1**

| TAV. 1 - STRUTTURA MACCHINA - STRUCTURE DE LA MACHINE - MACHINE STRUCTURE - MASCHINENAUFBAU - ESTRUCTURA DE LA MAQUINA - ESTRUCTURA DE LA MÁQUINA |         |                                 |                              |                             |                                 |                             |      |
|---|---------|---------------------------------|------------------------------|-----------------------------|---------------------------------|-----------------------------|------|
| Rif.  | Cod.    | I                               | F                            | GB                          | D                               | E                           | Note |
| 1   | 3224248 | SPORTELLINO CABINA              | PORTE DE CABINE              | CAB DOOR                    | KABINENKLAPPE                   | PORTEZUELA CABINA           |      |
| 2   | 3224247 | GRUPPO TELAIO                   | GROUPE CHASSIS               | FRAME ASSEMBLY              | BAUGRUPPE RAHMEN                | GRUPO BASTIDOR              |      |
| 3   | 3224421 | GRUPPO MESCOLATRICE RIBALTABILE | GROUPE MALAXEUR BASCULANT    | TILTING MIXING MACHINE UNIT | BAUGRUPPE KIPPBARER MISCHKÜBEL  | GRUPO MEZCLADORA VOLCABLE   |      |
| 4   | 3224445 | GRUPPO POMPA SILENT 300 M.R.    | GROUPE POMPE SILENT 300 M.R. | PUMP UNIT SILENT 300 M.R.   | BAUGRUPPE PUMPE SILENT 300 M.R. | GRUPO BOMBA SILENT 300 M.R. |      |
| 5   | 3225316 | PARAFANGO IN PLASTICA           | GARDE-BOUE EN PLASTIQUE      | PLASTIC MUDGUARD            | KUNSTSTOFFKOT-FLÜGEL            | GUARDABARROS DE PLÁSTICO    |      |
| 6   | 3224296 | SUPPORTO PARAFANGO              | SUPPORT DE GARDE-BOUE        | MUDGUARD SUPPORT            | KOTFLÜGELHALTERUNG              | SOPORTE GUARDABARROS        |      |
| 7   | 3224425 | GRUPPO TRAINO                   | GROUPE REMORQUAGE            | TOWING SET-UP               | FAHRWERK                        | GRUPO DE TRACCIÓN           |      |



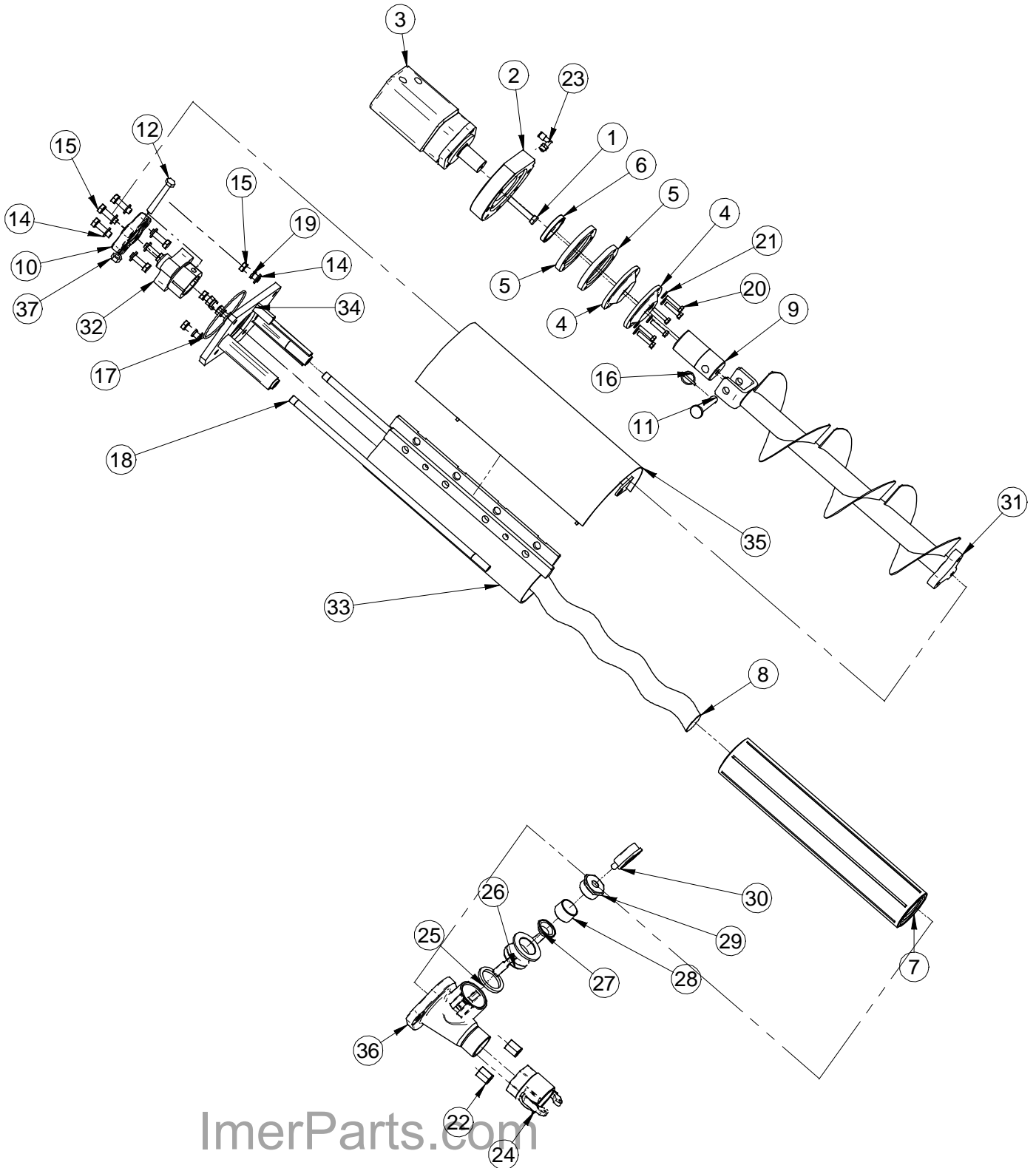
**TAV. 2**

| TAV. 2 - SPORTELLO CABINA - PORTE DE LA CABINE - CAB DOOR - KABINENKLAPPE - PORTEZUELA CABINA |              |                                    |  |                           |                                    |                               |                              |
|---|--------------|------------------------------------|--|---------------------------|------------------------------------|-------------------------------|------------------------------|
| Rif.  | Cod.         | I                                  | F  | GB                        | D                                  | E                             | Note                         |
| 1   | 3224248      | SPORTELLO CABINA                   | PORTE DE CABINE                          | CAB DOOR                  | KABINENKLAPPE                      | PORTEZUELA CABINA             |                              |
| 2   | 3224475      | MOLLA A GAS "SUSPA"                | RESSORT A GAZ "SUSPA"                    | GAS SPRING "SUSPA"        | GASFEDER,SUSPA"                    | RESORTE DE GAS "SUSPA"        |                              |
| 3   | 2223923      | DADO                               | ECROU                                    | NUT                       | MUTTER                             | TUERCA                        | 8 DIN 982 M8                 |
| 4   | 3225309      | PANNELLO INSONORIZZANTE ANTERIORE  | PANNEAU (ou CAPOTAGE) INSONORISANT AVANT | FRONT SOUNDPROOFING PANEL | VORDERE LÄRMSCHUTZPLATTE           | PANEL INSONORIZANTE DELANTERO |                              |
| 5   | 3225308      | PANNELLO INSONORIZZANTE POSTERIORE | PANNEAU INSONORISANT ARRIERE             | REAR SOUNDPROOFING PANEL  | HINTERE LÄRMSCHUTZPLATTE           | PANEL INSONORIZANTE TRASERO   |                              |
| 6   | 3224625      | CERNIERA PER FURGONI ZINC.         | CHARNIERE POUR FOURGONS ZINGUEE          | GALV. HINGE FOR VANS      | SCHARNIER FÜR LIEFERWAGEN VERZINKT | BISAGRA PARA FURGONES ZINC.   |                              |
| 7   | 3225310      | PIASTRINA FERMO PANNELLI           | PLAQUETTE DE RETENUE PANNEAUX            | PANEL HOLDING PLATE       | PLATTENSICHERUNG                   | PLAQUITA DE FIJACIÓN PANELES  |                              |
| 8   | 3204888      | MANIGLIA                           | POIGNEE                                  | HANDLE                    | GRIFF                              | MANIJA                        | 224/139 I=117 F65 BOTECOPLST |
| 9   | 2224005      | INSERTO FILETTATO                  | INSERT FILETE                            | THREADED INSERT           | GEWINDEEINSATZ                     | INSERTO ROSCADO               | M8" 9418-2822"               |
| 10  | 3224247_0-47 | PERNO                              | AXE                                      | PIN                       | BOLZEN                             | PERNO                         |                              |



**TAV. 3**

| TAV. 3 - GRUPPO TRAINO - GROUPE DE REMORQUAGE - TOWING SET-UP - FAHRWER - GRUPO DE TRACCIÓN |         |                 |                |               |                  |                |                          |
|---|---------|-----------------|----------------|---------------|------------------|----------------|--------------------------|
| Rif.  | Cod.    | I               | F              | GB            | D                | E              | Note                     |
| 1   | 3224777 | RUOTA           | ROUE           | WHEEL         | RAD              | RUEDA          | PN.155/70-13 75N 4F FIAT |
| 2   | 3224426 | ASSALE COMPLETO | ESSIEU COMPLET | COMPLETE AXLE | ACHSE KOMPLETT   | EJE COMPLETO   |                          |
| 3   |         | DADO BALILLA    | ECROU BALILLA  | BALILLA NUT   | MUTTER (BALILLA) | TUERCA BALILLA | QUANTITÀ=6               |



ImerParts.com  
888-634-4289  
An iBuy Stores Company

TAV. 4

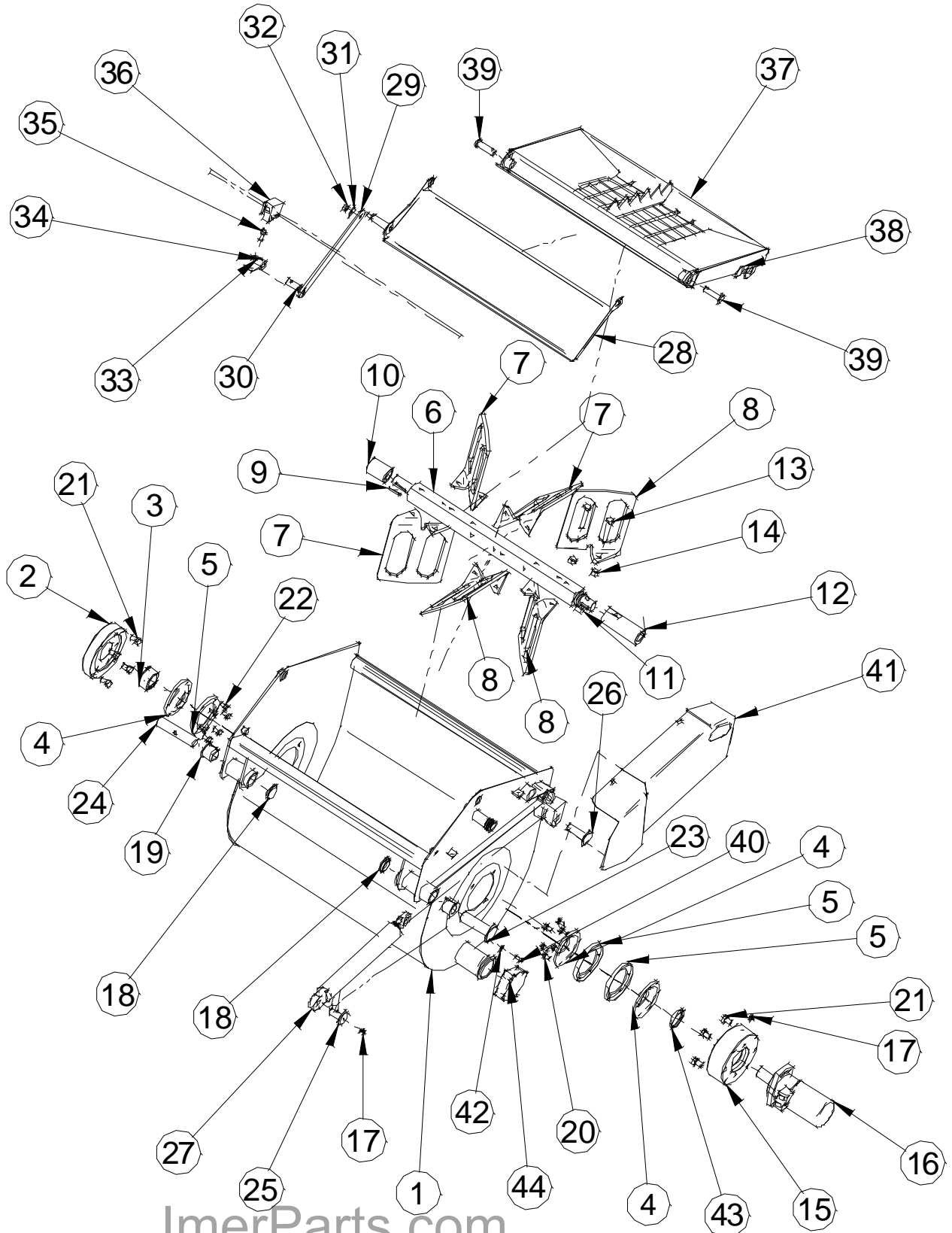


| TAV. 4 - GRUPPO POMPA - GROUPE POMPE - PUMP UNIT - BAUGRUPPE PUMPE - GRUPO BOMBA |                    |  |   |  |   |  |   |
|--|--------------------|--|---|--|---|--|---|
| Rif.   | Cod.               | I  | F   | GB   | D   | E  | Note                                    |
| 1  | 2222102            | VITE   | VIS   | SCREW  | SCHRAUBE  | TORNILLO   | M 12X 55 Z<br>UNI 5737                  |
| 2  | 3224339            | FLANGIA MOTORE<br>TRAMOGGIA                        | FLASQUE MOTEUR<br>TREMIE                        | HOPPER MOTOR<br>FLANGE                         | MOTORFLANSCH<br>TRICHTER  | BRIDA MOTOR TOLVA                                  |   |
| 3  | 3224336            | MOTORE   | MOTEUR  | MOTOR  | MOTOR   | MOTOR  | SAMHYDRAULIC<br>HR315 C32               |
| 4  | 3224337            | GUARNIZIONE TENUTA                                 | JOINT D'ETANCHEITE                              | SEAL   | DICHTUNG  | JUNTA DE<br>ESTANQUEIDAD                           | DI=55                                   |
| 5  | 3224311            | FLANGIA GUARNIZIONI                                | FLASQUE JOINTS<br>D'ETANCHEITE                  | SEALS FLANGE                                   | DICHTUNGSFLANSCH  | BRIDA JUNTAS                                       |   |
| 6  | 3224489            | ANELLO DI TENUTA                                   | JOINT SPI                                       | SEALING RING                                   | DICHTRING   | ANILLO DE RETENCIÓN                                | 55X72X10                                |
| 7  | 3224454<br>3225171 | STATORE  | STATOR  | STATOR   | STATOR  | ESTATOR  | 2L6 (SILENT 300)<br>60.12 (SILENT 300A) |
| 8  | 3224453<br>3225808 | ROTORE   | ROTOR   | ROTOR  | ROTOR   | ROTOR  | 2L6 (SILENT 300)<br>60.12 (SILENT 300A) |
| 9  | 3224338            | PROLUNGA ALBERO<br>MOTORE                          | RALLONGE ARBRE<br>MOTEUR                        | MOTOR SHAFT<br>EXTENSION                       | VERLÄNGERUNG<br>MOTORWELLE  | PROLONGADOR EJE<br>MOTOR                           |   |
| 10   | 3224340            | GIUNTO ELASTICO<br>PARASTRAPPI                     | COUPLEUR (ou<br>ACCOUPEMENT)<br>ELASTIQUE       | FLEXIBLE COUPLING                              | ELASTISCHE KUPPLUNG   | JUNTA ELÁSTICA<br>AMORTIGUADORA                    |   |
| 11   | 3224341            | PERNO DI BLOCCAGGIO                                | BOULON DE BLOCAGE                               | LOCKING PIN                                    | SICHERUNGSBOLZEN  | PERNO DE FIJACIÓN                                  | D=16                                    |
| 12   | 3225318            | VITE<br>ZINC GIALLA                                | VIS<br>ZINGUEE JAUNE                            | YELLOW GALV. SCREW                             | SCHRAUBE VERZINKT<br>GELB   | TORNILLO ZINC<br>AMARILLO                          | M 12X90 UNI 24014<br>UNI 5737           |
| 13   | 3224628            | COPIGLIA A SCATTO                                  | COUPLLE   | SPLIT PIN                                      | RASTSPLINT  | PASADOR DE DISPARO                                 | D=4.5                                   |
| 14   | 2224380            | ROSETTA  | RONDELLE  | WASHER   | UNTERLEGSCHLEIBE  | ARANDELA   | 12X24 UNI 6502-60                       |
| 15   | 2222550            | VITE   | VIS   | SCREW  | SCHRAUBE  | TORNILLO   | TCEI 12X435<br>UNI 6934                 |
| 16   | 2223700            | DADO   | ECROU   | NUT  | MUTTER  | TUERCA   | UNI 5588 M12 Z                          |
| 17   | 3224356            | ANELLO   | BAGUE   | RING   | RING  | ANILLO   | OR 4525                                 |
| 18   | 3224357            | TIRANTE COLLETTORE<br>DI MANDATA                   | TIRANT DE COLLECTEUR<br>DE REFOULEMENT          | DELIVERY MANIFOLD<br>STAY                      | VERSTREBUNG<br>DRUCKSEITIGE<br>SAMMELLEITUNG                        | TIRANTE COLECTOR DE<br>IMPULSIÓN                   | 2L6                                     |
| 18   | 3225854            | TIRANTE COLLETTORE<br>DI MANDATA                   | TIRANT DE COLLECTEUR<br>DE REFOULEMENT          | DELIVERY MANIFOLD<br>STAY                      | VERSTREBUNG<br>DRUCKSEITIGE<br>SAMMELLEITUNG                        | TIRANTE COLECTOR DE<br>IMPULSIÓN                   | 60.12, IM25                             |
| 19   | 1223921            | DADO<br>AUTOBLOCCANTE                              | ECROU<br>AUTOBLOQUANT                           | SELF-LOCKING NUT                               | SELBSTSICHERNDE<br>MUTTER   | TUERCA<br>AUTOBLOQUEANTE                           | M 12                                    |
| 20   | 2222004            | VITE   | VIS   | SCREW  | SCHRAUBE  | TORNILLO   | TE M 8 X35Z UNI 5739<br>8.8             |
| 21   | 2224060            | ROSETTA GROWER                                     | RONDELLE GROWER<br>(EVENTAL)                    | GROWER WASHER                                  | GROWER<br>UNTERLEGSCHLEIBE  | ARANDELA GROWER                                    | D.8 Z                                   |
| 22   | 3224395            | DADO SPECIALE                                      | ECROU SPECIAL                                   | SPECIAL NUT                                    | SPEZIALMUTTER   | TUERCA ESPECIAL                                    | M 16                                    |
| 23   | 3224345            | RACCORDO ARIA 90°<br>GIR. INNESTO RAPIDO<br>1/4" M | RACCORD D'AIR 90° PIV.<br>RACCORD RAPIDE 1/4" M | 90° AIR SWIVEL QUICK<br>COUPLING 1/4" M        | DRUCKLUFT-<br>ANSCHLUSS 90°<br>DREHBAR<br>SCHNELLKUPPLUNG<br>1/4" M | EMPALME AIRE 90° GIR.<br>CONEXIÓN RÁPIDA<br>1/4" M |   |
| 24   | 3224492            | ATTACCO A CAMME<br>DN50 F-2" G-F                   | RACCORD EXENTRIQUE<br>DN50 F-2" G-F             | CAM-LOCK COUPLING<br>DN50 F-2" G-F             | NOCKENANSCHLUSS<br>DN50 B-2" GAS-B                                  | CONEXIÓN DE LEVA<br>DN50 F-2" G-H                  |   |
| 25   | 3224499            | GUARNIZIONE GOMMA<br>DN50 KAMLOCK                  | JOINT CAOUTCHOUC<br>DN50 KAMLOCK                | RUBBER SEAL DN50<br>CAM-LOCK                   | GUMMIDICHTUNG DN50<br>KAMLOCK                                       | JUNTA GOMA DN50<br>CAMLOCK                         |   |
| 26   | 3224500            | ATTACCO MANOMETRO                                  | PRISE MANOMETRE                                 | PRESSURE GAUGE<br>CONNECTION                   | MANOMETER-<br>ANSCHLUSS   | CONEXIÓN MANÓMETRO                                 |   |
| 27   | 3223392            | MEMBRANA   | MEMBRANE  | MEMBRANA                                       | MEMBRAN   | MEMBRANA   |   |
| 28   | 3225275            | ANELLO DISTANZIALE<br>PER MEMBRANA                 | ENTRETOISE POUR<br>MEMBRANE                     | SPACER RING FOR<br>MEMBRANE                    | DISTANZRING FÜR<br>MEMBRAN  | ANILLO SEPARADOR<br>PARA MEMBRANA                  |   |
| 29   | 3224173            | RIDUZIONE M1-1/2" -<br>F1/2" OTTONE                | REDUCTION M1-1/2" -<br>F1/2" LAITON             | REDUCTION M1-1/2" -<br>F1/2" BRASS             | M1-1/2" - F1/2" MESSING   | REDUCCIÓN M1-1/2" -<br>F1/2" LATÓN                 |   |
| 30   | 3223689            | MANOMETRO D=63 0-<br>100BAR ATT. 1/4"              | MANOMETRE D=63 0-<br>100BAR RAC. 1/4"           | PRESSURE GAUGE<br>D=63 0-100BAR- CONN.<br>1/4" | MANOMETER D=63<br>0-100 BAR ANSCHL. 1/4"                            | MANÓMETRO D=63 0-<br>100 BARES CON. 1/4"           |   |
| 31   | 3224336            | COCLEA TRAMOGGIA                                   | VIS TREMIE                                      | HOPPER SCREW<br>FEEDER                         | TRICHTERSCHNECKE  | SINFÍN TOLVA                                       |   |
| 32   | 3224343            | GIUNTO ALBERO<br>TRAMOGGIA                         | JOINT (OU<br>ACCOUPEMENT) ARBRE<br>TREMIE       | HOPPER SHAFT JOINT                             | KUPPLUNG<br>TRICHTERWELLE   | JUNTA EJE DE TOLVA                                 |   |
| 33   | 3224334            | STRETTORE VITE                                     | SERRE-JAQUETTE                                  | SCREW CLAMP                                    | DROSSELSTÜCK<br>SCHNECKE  | APRETADOR TORNILLO                                 | SILENT 300                              |
| 34   | 3224354            | FLANGIA SUPPORTO<br>VITE                           | FLASQUE SUPPORT DE<br>VIS                       | SCREW SUPPORT<br>FLANGE                        | HALTERUNGSFLANSCH<br>SCHNECKE                                       | BRIDA SOPORTE<br>TORNILLO                          | 2L6                                     |
| 34   | 3225853            | FLANGIA SUPPORTO<br>VITE                           | FLASQUE SUPPORT DE<br>VIS                       | SCREW SUPPORT<br>FLANGE                        | HALTERUNGSFLANSCH<br>SCHNECKE                                       | BRIDA SOPORTE<br>TORNILLO                          | 60.12, IM25                             |
| 35   | 3224333            | PROTEZIONE VITE                                    | PROTECTION VIS                                  | SCREW PROTECTION                               | SCHNECKEN-<br>VERKLEIDUNG   | PROTECCIÓN TORNILLO                                | SILENT 300                              |
| 36   | 3224390            | COLLETTORE DI<br>MANDATA                           | COLLECTEUR DE<br>REFOULEMENT                    | DELIVERY MANIFOLD                              | DRUCKSEITIGE<br>SAMMELLEITUNG                                       | COLECTOR DE<br>IMPULSIÓN                           |   |

ImerParts.com

888-634-4289

An iBuy Stores Company

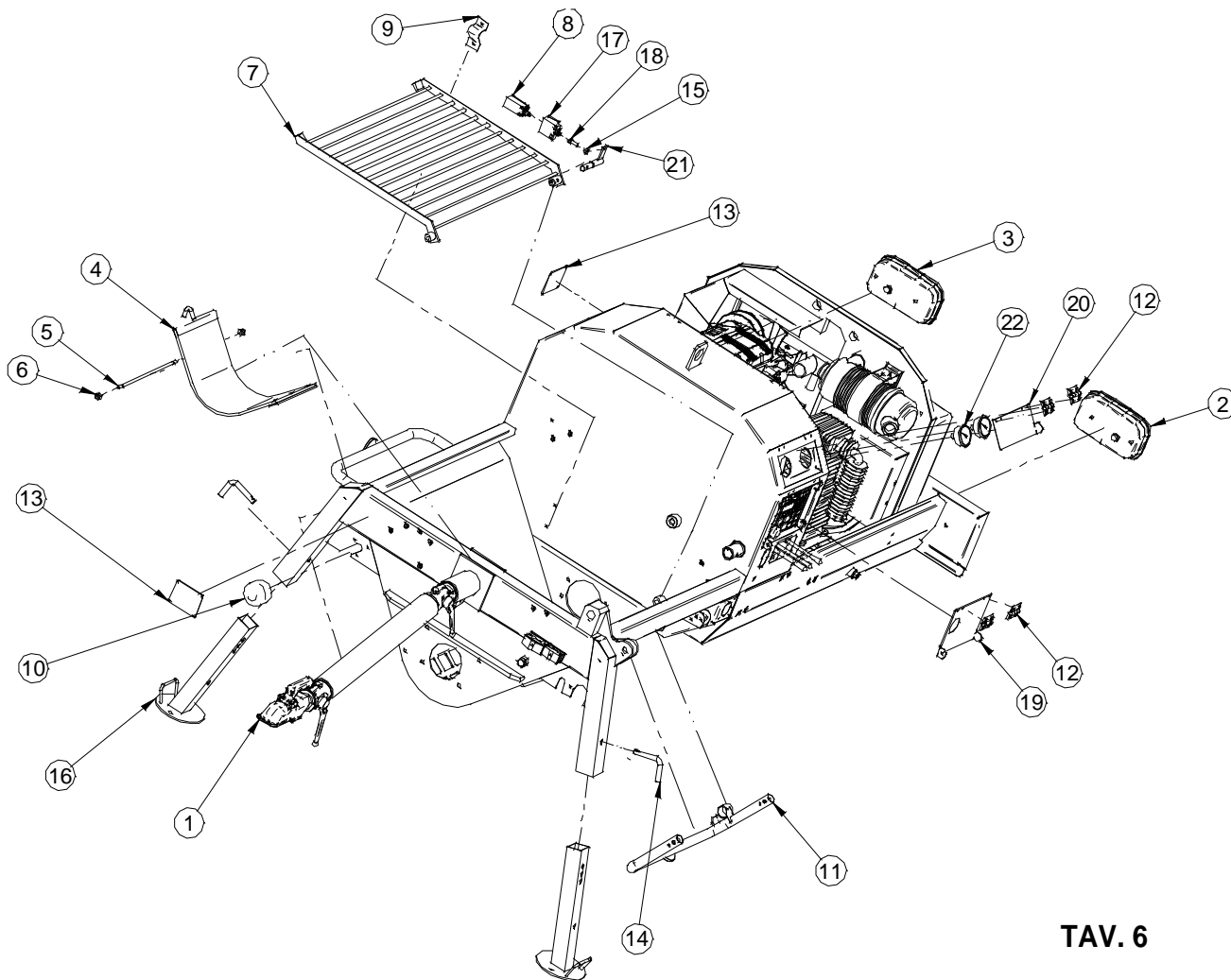


ImerParts.com  
888-634-4289  
An iBuy Stores Company

TAV. 5



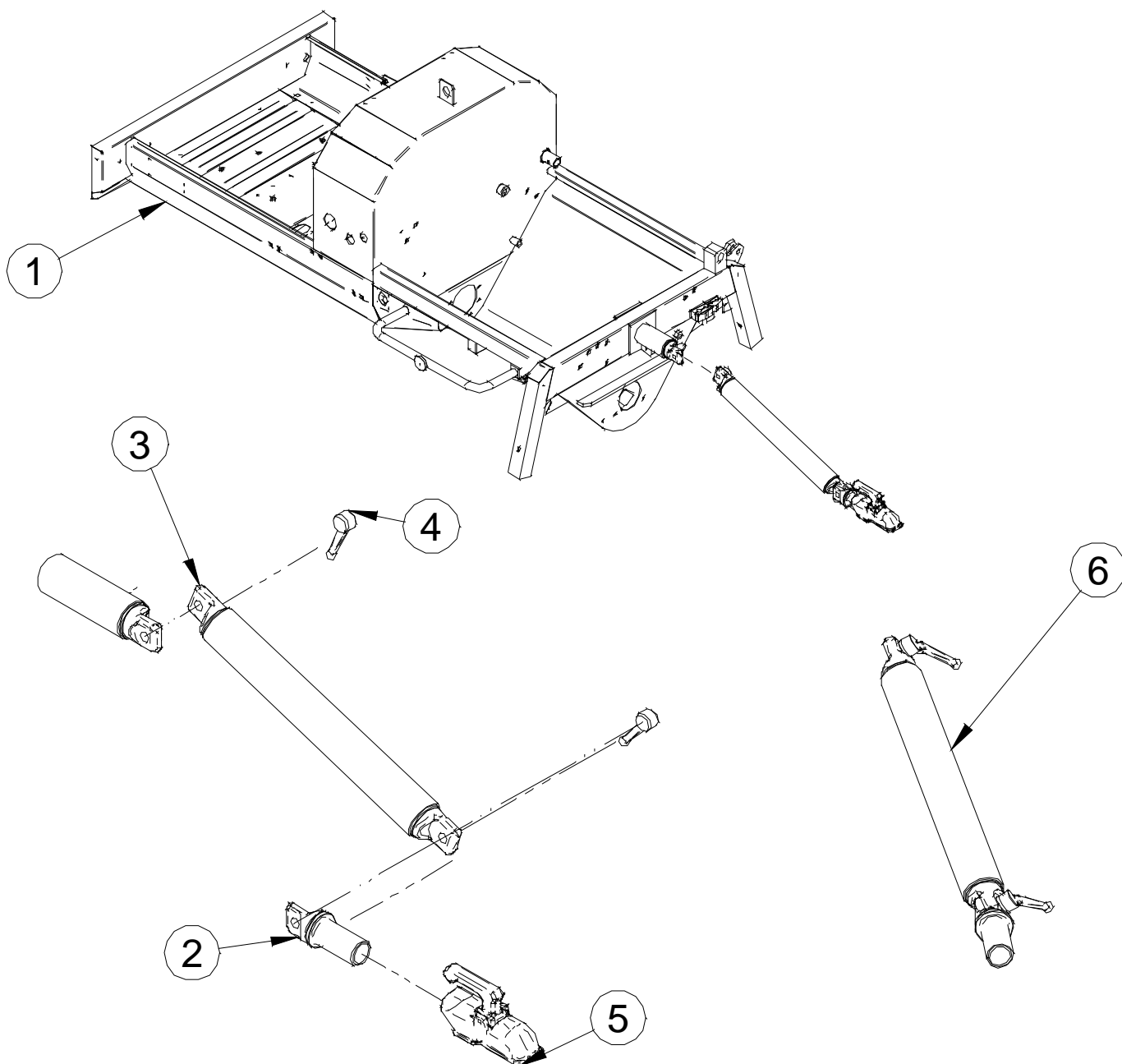
| TAV. 5 - GRUPPO MESCOLATRICE - GROUPE MALAXEUR - MIXING MACHINE UNIT - BAUGRUPPE MISCHER - GRUPO MEZCLADORA |         |                                      |  |                                       |                                       |  |  |
|---|---------|--------------------------------------|--|---------------------------------------|---------------------------------------|--|--|
| Rif.  | Cod.    | I                                    | F                                      | GB                                    | D                                     | E                                      | Note   |
| 1   | 3224250 | VASCA MESCOLATRICE RIBALTABILE       | CUVE DE MALAXEUR BASCULANT             | TITLING MIXING MACHINE TANK           | MISCHKÜBEL KIPPBAR                    | CUBA MEZCLADORA VOLCABLE               |  |
| 2   | 3224313 | FLANGIA LATO OPPOSTO MOTORE          | FLASQUE COTE OPPOSE AU MOTEUR          | FLANGE OPPOSITE ENGINE SIDE           | FLANSCH GEGENSEITE MOTOR              | BRIDA LADO OPUESTO MOTOR               |  |
| 3   | 3224314 | BOCCOLA INGRASSAGGIO                 | BAGUE DE GRAISSAGE                     | GREASING BUSH                         | SCHMIERBUCHSE                         | CASQUILLO DE ENGRASE                   |  |
| 4   | 3224315 | GUARNIZIONE TENUTA                   | JOINT D'ETANCHEITE                     | SEAL                                  | DICHTUNG                              | JUNTA DE ESTANQUEIDAD                  | DI=48  |
| 5   | 3224311 | FLANGIA GUARNIZIONI                  | FLASQUE DE JOINTS                      | SEAL FLANGE                           | DICHTUNGSFLANSCH                      | BRIDA JUNTAS                           |  |
| 6   | 3224282 | ALBERO VASCA                         | ARBRE DE CUVE                          | TANK SHAFT                            | KÜBELWELLE                            | EJE CUBA                               |  |
| 7   | 3224288 | PALA DX                              | PALE DROITE                            | RH BLADE                              | SCHAUFEL RE                           | PALA DER.                              |  |
| 8   | 3224289 | PALA SX                              | PALE GAUCHE                            | LH BLADE                              | SCHAUFEL LI.                          | PALA IZQ.                              |  |
| 9   | 3224446 | LINGUETTA 5X5X40                     | CLAVETTE 5X5X40                        | TONGUE 5X5X40                         | LASCHE 5X5X40                         | LENGUETA 5X5X40                        |  |
| 10  | 3224284 | BOCCOLA LATO CIECO RIBALTABILE       | BAGUE COTE BORGNE MALAXEUR BASCULANT   | TILTING BLIND SIDE BUSH               | BUCHSE GESCHLOSSENE SEITE MISCHKÜBEL  | CASQUILLO LADO CIEGO VOLCABLE          |  |
| 11  | 2229549 | LINGUETTA 10X8X30                    | CLAVETTE 10X8X30                       | TONGUE 10X8X30                        | LASCHE 10X8X30                        | LENGUETA 10X8X30                       |  |
| 12  | 3224285 | PROLUNGA MOTORE                      | RALLONGE MOTEUR                        | ENGINE EXTENSION                      | VERLÄNGERUNG MOTOR                    | PROLONGADOR MOTOR                      |  |
| 13  | 3225602 | VITE TE                              | VIS H MONTEE AU FREINFILET             | SCREW TE                              | SECHSKANTSCHRAUBE                     | TORNILLO CH                            | M12X75 Z<br>UNI 5 739                              |
| 14  | 2223921 | DADO AUTOBLOCCANTE BASSO             | ECROU AUTOFREINE BAS                   | FLAT SELF-LOCKING NUT                 | SELBSTSICHERNDE MUTTER FLACH          | TUERCA AUTOBLOQUEANTE ABAJO            | UNI 7474 M12 Z                                     |
| 15  | 3224312 | FLANGIA LATO MOTORE                  | FLASQUE COTE MOTEUR                    | ENGINE SIDE FLANGE                    | FLANSCH AUF MOTORSEITE                | BRIDA LADO MOTOR                       |  |
| 16  | 3224304 | MOTORE                               | MOTEUR                                 | ENGINE                                | MOTOR                                 | MOTOR                                  | SAM HYDRAULIC BR250 T C32                          |
| 17  | 3223909 | INGRASSATORE SFERICO DIRITTO         | GRAISSEUR SPHERIQUE DROIT              | STRAIGHT BALL GREASER                 | GERADER SCHMIERNIPPEL M. KUGELKOPF    | ENGRASADOR ESFÉRICO DERECHO            | M6   |
| 18  | 3225957 | TAPPO                                | BOUCHON                                | PLUG                                  | VERSCHLUS                             | TAPÓN                                  | GPN 300 F311                                       |
| 19  | 2209400 | BOCCOLA NYLON                        | BAGUE NYLON                            | NYLON BUSHING                         | NYLONBUCHSE                           | CASQUILLO DE NYLON                     | DE=42 DI=30  |
| 20  | 2222004 | VITE TE                              | VIS H MONTEE AU FREINFILET             | SCREW TE                              | SECHSKANTSCHRAUBE                     | TORNILLO CH                            | M8 X35Z<br>UNI 5739 8.8                            |
| 21  | 2222035 | VITE TE                              | VIS H MONTEE AU FREINFILET             | SCREW TE                              | SECHSKANTSCHRAUBE                     | TORNILLO CH                            | M12X25Z<br>UNI 5739 8.8                            |
| 22  | 2222004 | VITE TE                              | VIS H MONTEE AU FREINFILET             | SCREW TE                              | SECHSKANTSCHRAUBE                     | TORNILLO CH                            | M8 X35Z<br>UNI 5739 8.8                            |
| 23  | 3224309 | FULCRO ANTERIORE MESCOLATRICE        | POINT D'ARTICULATION AVANT MALAXEUR    | MIXING MACHINE FRONT PIVOT            | VORDERER DREHPUNKT MISCHER            | FULCRO DELANTERO MEZCLADORA            |  |
| 24  | 3224306 | FULCRO MESCOLATRICE POSTERIORE       | POINT D'ARTICULATION ARRIERE MALAXEUR  | MIXING MACHINE REAR PIVOT             | HINTERER DREHPUNKT MISCHER            | FULCRO TRASERO MEZCLADORA              |  |
| 25  | 3224308 | PERNO PISTONE                        | AXE DE PISTON                          | PISTON PIN                            | KOLBENBOLZEN                          | PERNO PISTÓN                           |  |
| 26  | 3224307 | PERNO ESTERNO PISTONE                | AXE EXTERIEUR DE PISTON                | EXT. PISTON PIN                       | AUSSENLIEGENDER KOLBENBOLZEN          | PERNO EXTERNO PISTÓN                   |  |
| 27  | 3224380 | CILINDRO DOPPIO EFFETTO              | VERIN DOUBLE EFFET                     | DOUBLE-ACTING CYLINDER                | DOPPELT WIRKENDER ZYLINDER            | CILINDRO DOBLE EFECTO                  |  |
| 28  | 3224292 | SPORTELLA MESCOLATRICE RIBALTABILE   | GUILLOTINE MALAXEUR BASCULANT          | TILTING MIXING MACHINE DOOR           | MISCHERKLAPPE                         | PORTEZUELA MEZCLADORA VOLCABLE         |  |
| 29  | 3225285 | LEVA APERTURA SPORTELLA VASCA        | LEVIER D'OUVERTURE GUILLOTINE DE CUVE  | TANK DOOR OPENING LEVER               | HEBEL MISCHKÜBELÖFFNUNG               | PALANCA APERTURA PORTEZUELA CUBA       |  |
| 30  | 3224485 | ANELLO                               | BAGUE                                  | RING                                  | RING                                  | ANILLO                                 | OR 123   |
| 31  | 2224340 | RONDELLA                             | RONDELLE                               | WASHER                                | UNTERLEGSCHLEIBE                      | ARANDELA                               | UNI-6592 D.10X21Z                                  |
| 32  | 2223920 | DADO AUTOBLOCCANTE                   | ECROU AUTOBLOQUANT                     | SELF-LOCKING NUT                      | SELBSTSICHERNDE MUTTER                | TUERCA AUTOBLOQUEANTE                  | UNI 7474 M10                                       |
| 33  | 3225296 | BOCCOLA FINECORSA                    | BAGUE FIN DE COURSE                    | TRAVEL END BUSHING                    | ENDSCHALTERBUCHSE                     | CASQUILLO FINAL DE CARRERA             |  |
| 34  | 2228702 | SPINA ELASTICA                       | GOUPILLE ELASTIQUE                     | SPLIT PIN                             | SPANNSTIFT                            | CLAVITA ELÁSTICA                       | UNI 6874 6X30                                      |
| 35  | 2222076 | VITE                                 | VIS                                    | SCREW                                 | SCHRAUBE                              | TORNILLO                               | M8X25 UNI5739<br>SIEMENS<br>SIGUARD 3SE3<br>210-1C |
| 36  | 3223813 | SENSORE                              | CAPTEUR                                | SENSOR                                | SENSOR                                | SENSOR                                 |  |
| 37  | 3224372 | GRIGLIA MESCOLATRICE RIBALTABILE     | GRILLE ARBRE MALAXEUR BASCULANT        | TILTING MIXING MACHINE GRILL          | MISCHERGITTER (KIPPBAR)               | REJILLA MEZCLADORA VOLCABLE            |  |
| 38  | 3224243 | BOCCOLA CALAMITA                     | BAGUE AIMANT                           | MAGNET BUSH                           | BUCHSE MIT MAGNET                     | CASQUILLO IMÁN                         |  |
| 39  | 3224305 | PERNO RETE MESCOLATRICE              | AXE DE GRILLE DE MALAXEUR              | MIXING MACHINE MESH PIN               | NETZBOLZEN MISCHWERK                  | PERNO RED MEZCLADORA                   |  |
| 40  | 2222002 | VITE                                 | VIS                                    | SCREW                                 | SCHRAUBE                              | TORNILLO                               | M6X16 Z<br>UNI 5739 8.8                            |
| 41  | 3225214 | CARTER CILINDRO SILENT 300           | CARTER VERIN SILENT 300                | SILENT 300 CYLINDER CASING            | ZYLINDERVERKLEIDUNG SILENT 300        | CÁRTER CILINDRO SILENT 300             |  |
| 42  | 2224531 | ROSETTA GROWER                       | RONDELLE GROWER (EVENTAIL)             | GROWER WASHER                         | UNTERLEGSCHLEIBE                      | ARANDELA GROWER                        | D6 Z   |
| 43  | 2207510 | ANELLO PARA OLIO DE=62 DI=48 SPESS=8 | BAGUE D'ETANCHEITE DE=62 DI=48 EPAIS=8 | EXT DIAM=62 INT DIAM=48 THICK=8       | ÖLABSTREIFRING A Ø=62 I-Ø=48 STÄRKE=8 | ANILLO RETÉN DE = 62 DI = 48 ESPES = 8 |  |
| 44  | 3225751 | STOPPER MESCOLATRICE COLORE NATURALE | BOUCHON DE MALAXEUR COULEUR NATURE     | NATURAL COLOUR MIXING MACHINE STOPPER | MISCHERVERSCHLUSS NATURFARBEN         | STOPPER MEZCLADORA COLOR NATURAL       | 70 SHORE   |



**TAV. 6**

**TAV. 6 - GRUPPO MONTAGGIO TELAIO - GROUPE DE MONTAGE DU CHASSIS - FRAME ASSEMBLY UNIT - MONTAGEBAUGRUPPE FAHRWERK - GRUPO MONTAJE BASTIDOR**

| Rif. | Cod.    | I                                  | F   | GB   | D   | E                                      | Note                        |
|------|---------|------------------------------------|---|--|---|--|-----------------------------|
| 1    | 3224247 | TELAIO SALDATO SILENT 300          | CHASSIS SOUDE SILENT 300                        | SILENT 300 WELDED FRAME                        | GESCHWEISSTER RAHMEN SILENT 300           | BASTIDOR SOLDADO SILENT 300            |                             |
| 2    | 3224520 | FANALE MULTIPOINT DX "ASPOCK"      | LANTERNE MULTIPOINT DROITE "ASPOCK"             | "ASPOCK" RH MULTIPOINT LIGHT                   | MULTIPOINT-SCHNWERFER RE. "ASPOCK"        | FARO MULTIPOINT DER. "ASPOCK"          |                             |
| 3    | 3224519 | FANALE MULTIPOINT SX "ASPOCK"      | LANTERNE MULTIPOINT GAUCHE "ASPOCK"             | "ASPOCK" LH MULTIPOINT LIGHT                   | MULTIPOINT-SCHNWERFER LI. "ASPOCK"        | FARO MULTIPOINT IZQ. "ASPOCK"          |                             |
| 4    | 3224383 | SPORTELLLO TRAMOGGIA               | TRAPPE DE TREMIE                                | HOPPER DOOR                                    | TRICHTERKLAPPE                            | PORTEZUELA TOLVA                       |                             |
| 5    | 3224399 | TIRANTE SPORTELLLO TRAMOGGIA       | TIRANT TRAPPE DE TREMIE                         | HOPPER DOOR STAY                               | VERSTREBUNG TRICHTERKLAPPE                | TIRANTE PORTEZUELA TOLVA               |                             |
| 6    | 2223920 | DADO AUTOBLOCCANTE                 | ECROU AUTOBLOQUANT                              | SELF-LOCKING NUT                               | SELBSTSICHERNDE MUTTER                    | TUERCA AUTOBLOQUEANTE                  | M10                         |
| 7    | 3224264 | GRIGLIA TRAMOGGIA ZINCATA          | GRILLE DE TREMIE ZINGUEE                        | GALVANISED HOPPER GRILL                        | TRICHTERGITTER VERZINKT                   | REJILLA TOLVA GALVANIZADA              |                             |
| 8    | 3224424 | VITE FULCRO GRIGLIA                | VIS D'ARTICULATION GRILLE                       | GRILL PIVOT SCREW                              | SCHRAUBE GITTERDREHPUNKT                  | TORNILLO FULCRO REJILLA                |                             |
| 9    | 3224266 | FERMORETE TRAMOGGIA                | DISPOSITIF DE RETENUE GRILLE DE TREMIE          | HOPPER MESH HOLDER                             | HALTER TRICHTERNETZ                       | FUJA-RED TOLVA                         |                             |
| 10   | 3224518 | PRESA 7 POLI ASPOCK                | PRISE 7 POLES ASPOCK                            | ASPOCK 7-PIN SOCKET                            | 7-POLIGE STECKDOSE ASPOCK                 | TOMA 7 POLOS ASPOCK                    |                             |
| 11   | 3224255 | BARRA ANTICICLISTICA MOBILE        | BARRE ANTICYCLISTE MOBILE                       | MOVABLE SIDE IMPACT BAR                        | FAHRRADSCHUTZSTAB UMKLAPPBAR              | BARRA ANTICICLISTA MÓVIL               |                             |
| 12   | 3224778 | CERNIERA A CAMMA                   | CHARNIERE EXCENTRIQUE                           | CAM LIFT HINGE                                 | NOCKENSCHARNIER                           | BISAGRA DE LEVA                        | SOUTCHO G6-5-1              |
| 13   |         | TARGHETTA                          | PLAQUE  | PLATE  | SCHILD                                    | PLACA                                  |                             |
| 14   | 3224275 | PERNO BLOCC.PIEDINO                | BROCHE OU GOUJON DE BLOCAGE VERIN STABILISATEUR | FOOT LOCKING PIN                               | SICHERUNGSBOLZEN STELLFUSS                | PERNO BLOQUEA-PATA                     |                             |
| 15   | 2223923 | DADO AUTOBLOCCANTE                 | ECROU AUTOBLOQUANT                              | SELF-LOCKING NUT                               | SELBSTSICHERNDE MUTTER                    | TUERCA AUTOBLOQUEANTE                  | M8 UNI 7473                 |
| 16   | 3224272 | TUBO INTERNO INCLINATO             | TUYAU INTERNE INCLINE                           | INCLINED INT PIPE                              | INNERES ROHR GENEIGT                      | TUBO INTERNO INCLINADO                 |                             |
| 17   | 3223813 | SENSORE                            | CAPTEUR   | SENSOR   | SENSOR                                    | SENSOR                                 | SIEMENS SIGUARD 3SE3 210-1C |
| 18   | 1222919 | VITE                               | VIS   | SCREW  | SCHRAUBE                                  | TORNILLO                               | M8X25 UNI 5739              |
| 19   | 3224406 | SPORTELLLO QUADRO COMANDI          | PORTE DE COFFRET DES COMMANDES                  | CONTROL PANEL DOOR                             | SCHALTAFELKLAPPE                          | PORTEZUELA CUADRO DE MANDOS            |                             |
| 20   | 3225297 | SPORTELLLO MANOMETRI               | VOLET DES MANOMETRES                            | PRESSURE GAUGES DOOR                           | MANOMETERKLAPPE                           | PORTEZUELA MANOMETROS                  |                             |
| 21   | 3224265 | PERNO FINECORSA                    | AXE FIN DE COURSE                               | TRAVEL END PIN                                 | ANSCHLAGBOLZEN                            | PERNO DE FINAL DE CARRERA              |                             |
| 22   | 3224779 | MANOM. D. 63 0-400 BAR AT.POS.1/4" | MANOM. D. 63 0-400 BAR RAC. AR.1/4"             | PRESSURE GAUGE 3357 D. 63 0-400 BAR COUP. 1/4" | MANOMETER D. 63 0-400 BAR HINTANSCHL.1/4" | MANÓM. D. 63 0-400 BARES CON. POS.1/4" |                             |
| 23   | 3224485 | ANELLO OR 123                      | JOINT TORIQUE 123                               | O-RING 123                                     | O-RING 123                                | ANILLO OR 123                          |                             |

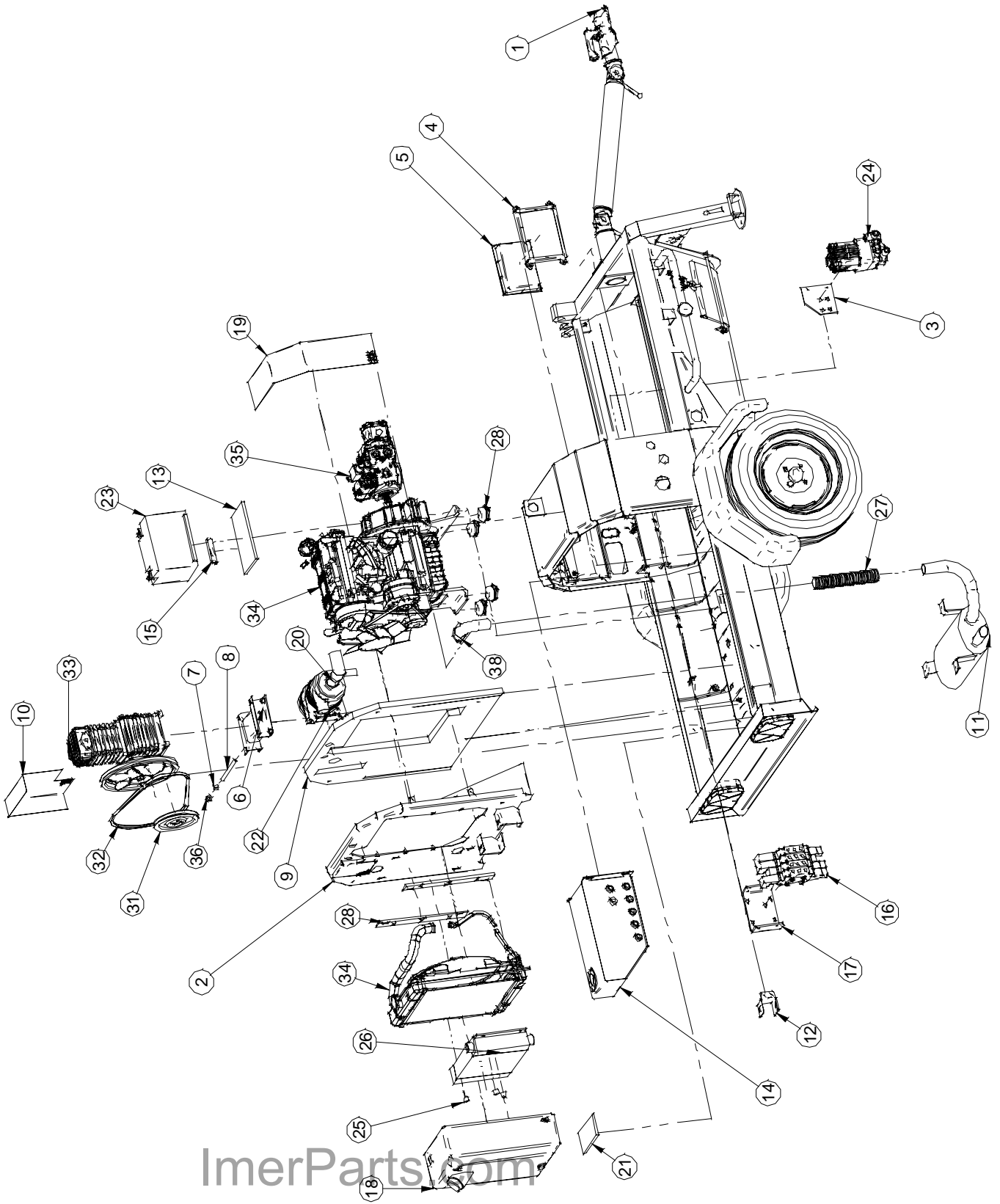


**TAV. 7**

**TAV. 6 - GRUPPO TIMONE - GROUPE TIMON - DRAWBAR UNIT - BAUGRUPPE DEICHSEL - GRUPO TIMÓN**

| Rif. | Cod.    | I  | F   | GB                                    | D                                       | E                                     | Note                 |
|------|---------|--|---|---------------------------------------|---|---------------------------------------|----------------------|
| 1    | 3224247 | TELAIO SALDATO SILENT 300                | CHASSIS SOUDE SILENT 300                  | SILENT 300 WELDED FRAME               | GESCHWEISSTER RAHMEN SILENT 300         | BASTIDOR SOLDADO SILENT 300           |                      |
| 2    | 3225922 | ATTACCO TESTINA TRAINO                   | RACCORD TETE D'ATTELAGE                   | TOWING HEAD CONNECTION                | ANSCHLUSS ZUGAUGE                       | CONEXIÓN CABEZAL REMOLQUE             |                      |
| 3    | 3225923 | BRACCIO INTERMEDIO                       | BRAS INTERMEDIAIRE                        | MIDDLE ARM                            | DEICHSELZWISCHENSTÜCK                   | BRAZO INTERMEDIO                      |                      |
| 4    | 3225924 | LEVA DI REGOLAZIONE                      | LEVIER DE REGLAGE                         | ADJUSTMENT LEVER                      | EINSTELLHEBEL                           | PALANCA DE REGULACIÓN                 |                      |
| 5    | 3209959 | TESTINA TRAINO                           | TETE D'ATTELAGE                           | TOWING HEAD                           | ZUGAUGE                                 | CABEZAL REMOLQUE                      | MS-2 900002* 50-009* |
| 6    | 3225987 | KIT TERMINALE TIMONE + TIMONE INTERMEDIO | KIT EMBOUT DE TIMON + TIMON INTERMEDIAIRE | DRAWBAR TERMINAL KIT + MIDDLE DRAWBAR | BAUSATZ DEICHSELENDE + ZWISCHENDEICHSEL | KIT TERMINAL TIMÓN + TIMÓN INTERMEDIO |                      |





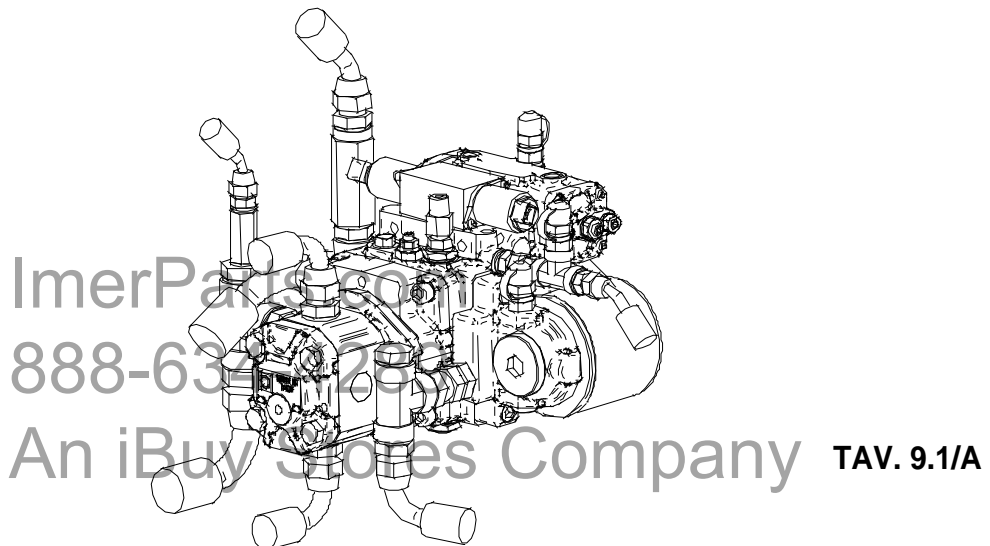
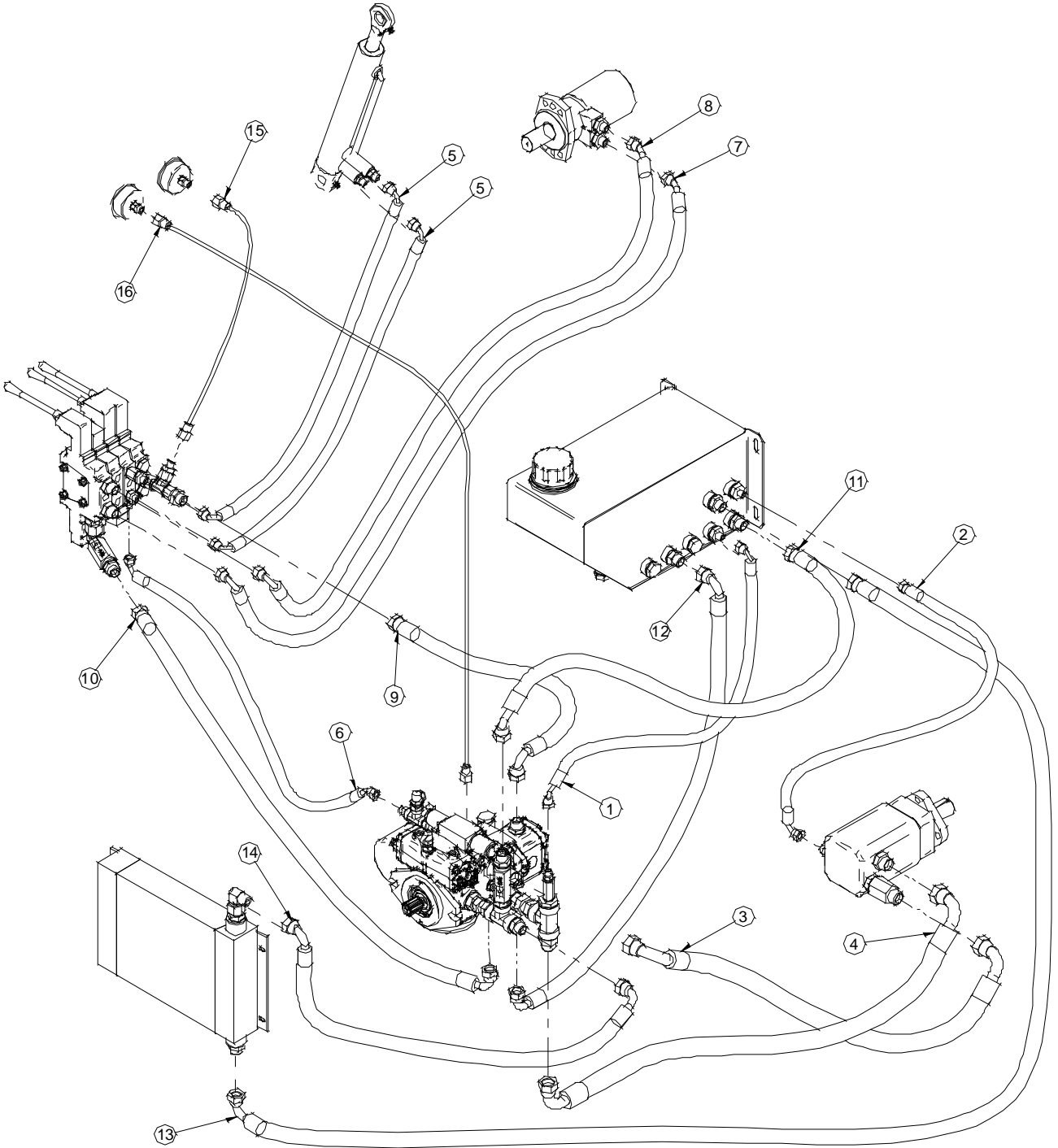
ImerParts.com  
888-634-4289  
An iBuy Stores Company

TAV. 8



| TAV. 8 - GRUPPO MONTAGGIO COMPONENTI MECCANICI - GROUPE MONTAGE DES COMPOSANTS MECANICIQUES - MECHANICAL COMPONENTS ASSEMBLY UNIT - MONTAGEBAUGRUPPE MECHANISCHE KOMPONENTEN - GRUPO MONTAJE COMPONENTES MECANICOS |         |                                 |   |  |   |                                       |                                     |
|--|---------|---------------------------------|---|--|---|---------------------------------------|-------------------------------------|
| Rif.   | Cod.    | I                               | F                                       | GB                                     | D                                       | E                                     | Note                                |
| 1  | 3224247 | TELAIO SALDATO SILENT 300       | CHASSIS SOUDE SILENT 300                | SILENT 300 WELDED FRAME                | GESCHWEISSTER RAHMEN SILENT 300         | BASTIDOR SOLDADO SILENT 300           |                                     |
| 2  | 3224262 | PANNELLO DIVISORIO SUPERIORE    | SEPARATEUR SUPERIEUR                    | UPPER PARTITION PANEL                  | OBERE TRENNPLATTE                       | PANEL DIVISORIO SUPERIOR              |                                     |
| 3  | 3225179 | SUPPORTO POMPA                  | SUPPORT DE POMPE                        | PUMP SUPPORT                           | PUMPENHALTERUNG                         | SOPORTE DE LA BOMBA                   |                                     |
| 4  | 3225271 | INTERFACCIA QUADRO SILENT 300   | INTERFACE TABLEAU SILENT 300            | SILENT 300 PANEL INTERFACE             | SCHNITTSTELLE SCHAFFTAFFEL SILENT 300   | INTERFAZ CUADRO SILENT 300            |                                     |
| 5  | 3224467 | QUADRO ELETTRICO "ESAIGON"      | COFFRET OU TABLEAU ELECTRIQUE "ESAIGON" | ELECTRICAL PANEL "ESAIGON"             | SCHAFFTAFFEL "ESAIGON"                  | CUADRO ELÉCTRICO "ESAIGON"            |                                     |
| 6  | 3224270 | SUPPORTO COMPRESSORE            | SUPPORT DE COMPRESSEUR                  | COMPRESSOR SUPPORT                     | KOMPRESSOR-HALTERUNG                    | SOPORTE DEL COMPRESOR                 |                                     |
| 7  | 2224381 | RONDELLA                        | RONDELLE                                | WASHER                                 | UNTERLEGSCHLEIBE                        | ARANDELA                              | UNI-6593<br>DN13 DE24<br>SPESS=3 ZI |
| 8  | 3225213 | TIRANTE TENDICINGHIA            | TIRANT DE TENDEUR DE COURROIE           | BELT TIGHTENER STAY                    | RIEMENSPANNSTAB                         | TIRANTE TENSACORREA                   |                                     |
| 9  | 3225220 | PANNELLO FONOAASSORBENTE        | PANNEAU INSONORISANT                    | SOUND-ABSORBENT PANEL                  | SCHALLDÄMMPLATTE                        | PANEL FONOAASSORBENTE                 |                                     |
| 10   | 3224375 | PROTEZIONE PULEGGIA             | PROTECTEUR DE POULIE                    | PULLEY GUARD                           | ABDECKUNG RIEMENSCHLEIBE                | PROTECCIÓN POLEA                      |                                     |
| 11   | 3224470 | MARMITTA SILENT 300             | POT SILENT 300                          | SILENT 300 SILENCER                    | AUSPUFF SILENT 300                      | SILENCIADOR SILENT 300                |                                     |
| 12   | 3225578 | LAMIERA SUPERIORE DISIUNTORE    | TOLE SUPERIEUR DISIUNCTEUR              | PRESSURE RELEASE DEVICE TOP SHEET      | OBERE BLECHPLATTE TRENNSCHALTER         | CHAPA SUPERIOR DESCARGADOR DE PRESIÓN |                                     |
| 13   | 3225283 | GOMMA SUPPORTO BATTERIA         | TAMPON CAOUTCHOUC SUPPORT DE BATTERIE   | BATTERY SUPPORT RUBBER                 | GUMMIUNTERLAGE FÜR BATTERIE             | GOMA SOPORTE BATERÍA                  |                                     |
| 14   | 3224293 | SERBATOIO OLIO 15L              | RESERVOIR D'HUILE 15 L                  | OIL TANK 15L                           | ÖLBEHÄLTER 15 L                         | DEPÓSITO ACEITE 15 L                  |                                     |
| 15   | 3224295 | STAFFA FERMO BATTERIA           | BRIDE DE FIXATION BATTERIE              | BATTERY SUPPORT BRACKET                | BATTERIEBEFESTIGUNG-SBÜGEL              | SOPORTE DE FIJACIÓN BATERÍA           |                                     |
| 16   | 3224460 | DISTRIBUTORE                    | DISTRIBUTEUR                            | DISTRIBUTOR                            | STEUERGERÄT                             | DISTRIBUIDOR                          | HYDROCONTROL HC-D9/4 (SILENT300)    |
| 16   | 3224462 | DISTRIBUTORE                    | DISTRIBUTEUR                            | DISTRIBUTOR                            | STEUERGERÄT                             | DISTRIBUIDOR                          | HYDROCONTROL HC-D2/4 (SILENT 300A)  |
| 17   | 3224294 | STAFFA DISTRIBUTORE             | BRIDE DE FIXATION DISTRIBUTEUR          | DISTRIBUTOR BRACKET                    | BÜGEL STEUERGERÄT                       | SOPORTE DISTRIBUIDOR                  |                                     |
| 18   | 3224455 | SERBATOIO SPILA TANK20          | RESERVOIR SPILA TANK20                  | SPILA TANK20                           | TANK - SPILA TANK20                     | DEPÓSITO SPILA TANK20                 |                                     |
| 19   | 3224376 | PROTEZIONE CINGHIA MOTORE       | PROTECTION DE COURROIE DE MOTEUR        | ENGINE BELT GUARD                      | ABDECKUNG ANTRIEBSRIEMEN MOTOR          | PROTECCIÓN CORREA MOTOR               |                                     |
| 20   | 3225317 | COLLETTORE FILTRO ARIA          | COLLECTEUR FILTRE A AIR                 | AIR FILTER MANIFOLD                    | KRÜMMER LUFTFILTER                      | COLECTOR FILTRO AIRE                  |                                     |
| 21   | 3225782 | GOMMA SUPPORTO SERBATOIO        | TAMPON CAOUTCHOUC SUPPORT DE RESERVOIR  | TANK SUPPORT RUBBER                    | GUMMIUNTERLAGE TANK                     | GOMA SOPORTE DEPÓSITO                 |                                     |
| 22   | 1235970 | FILTRO ARIA                     | FILTRE A AIR                            | AIR FILTER                             | LUFTFILTER                              | FILTRO DE AIRE                        | DONALD FPG05 7502                   |
| 23   | 3224465 | BATTERIA                        | BATTERIE                                | BATTERY                                | BATTERIE                                | BATERIA                               | 55Ah/510ccA                         |
| 24   | 3224471 | POMPA IDROPULTRICE (OPZIONALE)  | POMPE DE NETTOYEUR HP (OPTION)          | PRESSURE WATER CLEANER PUMP (OPTIONAL) | PUMPE HOCHDRUCKREINIGER (SONDERZUBEHÖR) | BOMBA HIDROLIPIADORA (OPCIONAL)       | "NERON" HWB250                      |
| 25   | 3224297 | DISTANZIALE SCAMBIATORE         | ENTRETOISE ECHANGEUR                    | EXCHANGER SPACER                       | DISTANZSTÜCK WÄRMETAUSCHER              | DISTANCIADOR INTERCAMBIADOR           |                                     |
| 26   | 3224469 | SCAMBIATORE DI CALORE OMT       | ECHANGEUR DE CHALEUR OMT                | HEAT EXCHANGER OMT                     | WÄRMETAUSCHER                           | INTERCAMBIADOR DE CALOR OMT           |                                     |
| 27   | 3225278 | TUBO FLESSIBILE INOX DI 45      | FLEXIBLE INOX DI 45                     | S/STEEL FLEXIBLE TUBE INT. DIAM 45     | METALLSCHLAUCH EDELSTAHL IØ 45          | TUBO FLEXIBLE INOX DI 45              |                                     |
| 28   | 3225222 | STAFFA RADIATORE                | BRIDE DE FIXATION RADIATEUR             | RADIATOR BRACKET                       | KÜHLERHALTERUNG                         | SOPORTE RADIADOR                      |                                     |
| 29   | 3224447 | SUPPORTI ANTIVIBRANTI A CAMPANA | SUPPORTS ANTIVIBRATILES EN CLOCHE       | VIBRATION DAMPER SUPPORTS              | SCHWINGUNGS-DÄMPFER                     | SOPORTES ANTIVIBRADORES DE CAMPANA    |                                     |
| 30   |         |                                 |   |  |   |                                       |                                     |
| 31   | 3224374 | PULEGGIA COMPRESSORE SILENT 300 | POULIE DE COMPRESSEUR                   | SILENT 300 COMPRESSOR PULLEY           | RIEMENSCHLEIBE KOMPRESSOR SILENT 300    | POLEA COMPRESOR SILENT 300            |                                     |
| 32   | 3224494 | CINGHIA                         | COURROIE                                | BELT                                   | RIEMEN                                  | CORREA                                | TORQUE-FLEX SPA 1490                |
| 33   | 3224466 | COMPRESSORE                     | COMPRESSEUR                             | COMPRESSOR                             | KOMPRESSOR                              | COMPRESOR                             | K18/B VA 320 DX C/C S/F             |
| 34   | 3224458 | MOTORE LOMBARDINI               | MOTEUR LOMBARDINI                       | LOMBARDINI MOTOR                       | MOTOR LOMBARDINI                        | MOTOR LOMBARDINI                      | FOCS PLUS 1003                      |
| 35   | 3224456 | POMPA A PISTONI                 | POMPE A PISTONS                         | PISTON PUMP                            | KOLBENPUMPE                             | BOMBA DE PISTONES                     | HP HYDRAULIC                        |
| 36   | 2223700 | DADO                            | ECROU                                   | NUT                                    | MÜTTER                                  | TUERCA                                | 5588 DIAM. 12 Z                     |
| 37   | 3225277 | COLLETTORE MARMITTA SILENT 300  | COLLECTEUR POT SILENT 300               | SILENT 300 SILENCER MANIFOLD 300       | AUSPUFFKRÜMMER SILENT 300               | COLECTOR SILENCIADOR SILENT 300       |                                     |
| 38   | 3225278 | TUBO FLESSIBILE INOX            | FLEXIBLE INOX                           | S/STEEL FLEXIBLE TUBE                  | METALLSCHLAUCH EDELSTAHL                | TUBO FLEXIBLE INOX                    | DI45                                |
|  | 3225915 | CARTUCCIA FILTRO OLIO           | CARTOUCHE DE FILTRE A HUILE             | OIL FILTER CARTRIDGE                   | ÖLFILTEREINSATZ                         | CARTUCHO FILTRO ACEITE                |                                     |
|  | 3225916 | CARTUCCIA FILTRO GASOLIO        | CARTOUCHE DE FILTRE A GAZOLE            | DIESEL OIL FILTER CARTRIDGE            | KRAFTSTOFF-FILTEREINSATZ                | CARTUCHO FILTRO GASÓLEO               |                                     |
|  | 3225925 | CARTUCCIA FILTRO ARIA           | CARTOUCHE DE FILTRE A AIR               | AIR FILTER CARTRIDGE                   | LUFTFILTEREINSATZ                       | CARTUCHO FILTRO AIRE                  |                                     |
|  | 3225926 | CARTUCCIA FILTRO ARIA SICUREZZA | CARTOUCHE DE FILTRE A AIR SECURITE      | SAFETY AIR FILTER CARTRIDGE            | EINSATZ SICHERHEITS-LUFTFILTER          | CARTUCHO FILTRO AIRE SEGURIDAD        |                                     |
|  | 3225917 | ELETTROVALVOLA DI STOP          | ELECTROVANNE DE STOP                    | STOP SOLENOID VALVE                    | ABSCHALI-MAGNETVENTIL                   | ELECTROVÁLVULA DE STOP                |                                     |

An iBuy Stores Company

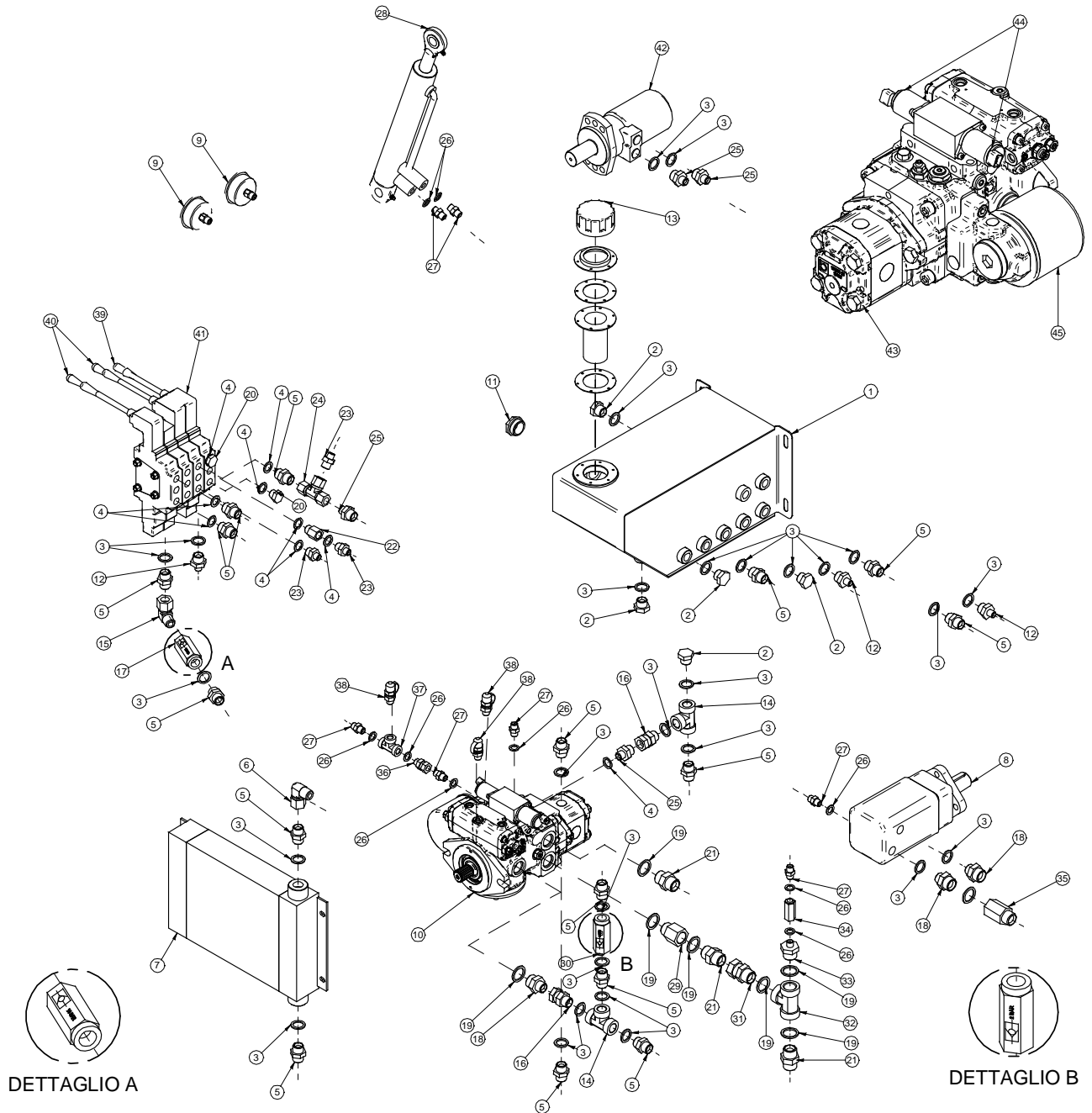


TAV. 9.1/A



| TAV. 9.1/A - GRUPPO TUBI IMPIANTO OLEODINAMICO SILENT 300 - GROUPE TUYAUTERIES DU CIRCUIT HYDRAULIQUES SILENT 300 A - SILENT 300 HYDRAULIC SYSTEM PIPES UNIT - BAUGRUPPE SCHLAUCHLEITUNGEN HYDRAULIKANLAGE SILENT 300 - GRUPO TUBOS SISTEMA OLEODINAMICO SILENT 300 |         |  |   |   |   |  |      |
|---|---------|--|---|---|---|--|------|
| Rif.  | Cod.    | I  | F   | GB  | D   | E  | Note |
| 1   | 3225657 | TUBO SAE 100 R1A 1/4" L.550 FP45 1/4" + FP 1/4"                          | TUYAU SAE 100 R1A 1/4" L.550 FP45 1/4" + FP 1/4"                          | PIPE SAE 100 R1A 1/4"   | SCHLAUCH SAE 100 R1A 1/4" L. 550 FP45 1/4" + FP 1/4"                            | TUBO SAE 100 R1A 1/4" L.550 FP45 1/4" + FP 1/4"  |      |
| 2   | 3225658 | TUBO SAE 100 R1A 1/4" L.680 FP90 1/4" + FP90 1/4" 180°                   | TUYAU SAE 100 R1A 1/4" L.680 FP90 1/4" + FP90 1/4" 180°                   | PIPE SAE 100 R1A 1/4" L.550 FP45 1/4" + FP 1/4"                             | SCHLAUCH SAE 100 R1A 1/4" L. 680 FP90 1/4" + FP90 1/4" 180°                     | TUBO SAE 100 R1A 1/4" L.680 FP90 1/4" + FP90 1/4" 180°                                 |      |
| 3   | 3225659 | TUBO SAE 100 R9R 3/4" L.590 FP90 3/4" + FP90 3/4" 345°                   | TUYAU SAE 100 R9R 3/4" L.590 FP90 3/4" + FP90 3/4" 345°                   | PIPE SAE 100 R1A 1/4" L.550 FP45 1/4" + FP 1/4"                             | SCHLAUCH SAE 100 R9R 3/4" L. 590 FP90 3/4" + FP90 3/4" 345°                     | TUBO SAE 100 R9R 3/4" L.590 FP90 3/4" + FP90 3/4" 345°                                 |      |
| 4   | 3225660 | TUBO SAE 100 R9R 3/4" L.550 FP90 3/4" +FP90 3/4" 325°                    | TUYAU SAE 100 R9R 3/4" L.550 FP90 3/4" +FP90 3/4" 325°                    | PIPE SAE 100 R9R 3/4" L.590 FP90 3/4" + FP90 3/4" 345°                      | SCHLAUCH SAE 100 R9R 3/4" L. 550 FP90 3/4" + FP90 3/4" 325°                     | TUBO SAE 100 R9R 3/4" L.550 FP90 3/4" +FP90 3/4" 325°                                  |      |
| 5   | 3225661 | TUBO SAE 100 R1A 1/4" L.2150 FP90 1/4" + FP90 1/4" 140°                  | TUYAU SAE 100 R1A 1/4" L.2150 FP90 1/4" + FP90 1/4" 140°                  | PIPE SAE 100 R9R 3/4" L.550 FP90 3/4" +FP90 3/4" 325°                       | SCHLAUCH SAE 100 R1A 1/4" L. 2150 FP90 1/4" + FP90 1/4" 140°                    | TUBO SAE 100 R1A 1/4" L.2150 FP90 1/4" + FP90 1/4" 140°                                |      |
| 6   | 3225662 | TUBO SAE 100 R1A 1/4" L.620 FP90 1/4" +FP45 1/4" 130°                    | TUYAU SAE 100 R1A 1/4" L.620 FP90 1/4" +FP45 1/4" 130°                    | PIPE SAE 100 R1A 1/4" L.2150 FP90 1/4" + FP90 1/4" 140°                     | SCHLAUCH SAE 100 R1A 1/4" L. 620 FP90 1/4" + FP45 1/4" 130°                     | TUBO SAE 100 R1A 1/4" L.620 FP90 1/4" +FP45 1/4" 130°                                  |      |
| 7   | 3225663 | TUBO SAE 100 R2A 3/8" L.2150 FP90 3/8" + FP45 3/8" 90°                   | TUYAU SAE 100 R2A 3/8" L.2150 FP90 3/8" + FP45 3/8" 90°                   | PIPE SAE 100 R1A 1/4" L.2150 FP90 1/4" + FP90 1/4" 140°                     | SCHLAUCH SAE 100 R2A 3/8" L. 2150 FP90 3/8" + FP45 3/8" 90°                     | TUBO SAE 100 R2A 3/8" L.2150 FP90 3/8" + FP45 3/8" 90°                                 |      |
| 8   | 3225664 | TUBO SAE 100 R2A 3/8" L.2230 FP90 3/8" +FP45 3/8" 90°                    | TUYAU SAE 100 R2A 3/8" L.2230 FP90 3/8" +FP45 3/8" 90°                    | PIPE SAE 100 R2A 3/8" L.2230 FP90 3/8" +FP45 3/8" 90°                       | SCHLAUCH SAE 100 R2A 3/8" L. 2230 FP90 3/8" +FP45 3/8" 90°                      | TUBO SAE 100 R2A 3/8" L.2230 FP90 3/8" +FP45 3/8" 90°                                  |      |
| 9   | 3225665 | TUBO SAE 100 R2A 1/2" L.550 FP90 1/2" + FP 1/2"                          | TUYAU SAE 100 R2A 1/2" L.550 FP90 1/2" + FP 1/2"                          | PIPE SAE 100 R2A 1/2" L.550 FP90 1/2" + FP 1/2"                             | SCHLAUCH SAE 100 R2A 1/2" L. 550 FP90 1/2" + FP 1/2"                            | TUBO SAE 100 R2A 1/2" L.550 FP90 1/2" + FP 1/2"  |      |
| 10  | 3225666 | TUBO SAE 100 R1A 1/2" L.360 FP90 1/2" + FP 1/2"                          | TUYAU SAE 100 R1A 1/2" L.360 FP90 1/2" + FP 1/2"                          | PIPE SAE 100 R1A 1/2" L.360 FP90 1/2" + FP 1/2"                             | SCHLAUCH SAE 100 R1A 1/2" L. 360 FP90 1/2" + FP 1/2"                            | TUBO SAE 100 R1A 1/2" L.360 FP90 1/2" + FP 1/2"  |      |
| 11  | 3225667 | TUBO SAE 100 R1A 1/2" L.570 FP45 1/2" + FP 1/2"                          | TUYAU SAE 100 R1A 1/2" L.570 FP45 1/2" + FP 1/2"                          | PIPE SAE 100 R1A 1/2" L.570 FP45 1/2" + FP 1/2"                             | SCHLAUCH SAE 100 R1A 1/2" L. 570 FP45 1/2" + FP 1/2"                            | TUBO SAE 100 R1A 1/2" L.570 FP45 1/2" + FP 1/2"  |      |
| 12  | 3225668 | TUBO SAE 100 R1A 1/2" L.740 FP90 1/2" + FP90 1/2" 270°                   | TUYAU SAE 100 R1A 1/2" L.740 FP90 1/2" + FP90 1/2" 270°                   | PIPE SAE 100 R1A 1/2" L.740 FP90 1/2" + FP90 1/2" 270°                      | SCHLAUCH SAE 100 R1A 1/2" L. 740 FP90 1/2" + FP90 1/2" 270°                     | TUBO SAE 100 R1A 1/2" L.740 FP90 1/2" + FP90 1/2" 270°                                 |      |
| 13  | 3225669 | TUBO SAE 100 R1A 1/2" L.1170 FP90 1/2" + FP90 1/2"                       | TUYAU SAE 100 R1A 1/2" L.1170 FP90 1/2" + FP90 1/2"                       | PIPE SAE 100 R1A 1/2" L.1170 FP90 1/2" + FP90 1/2"                          | SCHLAUCH SAE 100 R1A 1/2" L. 1170 FP90 1/2" + FP90 1/2"                         | TUBO SAE 100 R1A 1/2" L.1170 FP90 1/2" + FP90 1/2"                                     |      |
| 14  | 3225670 | TUBO SAE 100 R1A 1/2" L.1700 FP90 1/2" + FP 1/2"                         | TUYAU SAE 100 R1A 1/2" L.1700 FP90 1/2" + FP 1/2"                         | PIPE SAE 100 R1A 1/2" L.1700 FP90 1/2" + FP 1/2"                            | SCHLAUCH SAE 100 R1A 1/2" L. 1700 FP90 1/2" + FP 1/2"                           | TUBO SAE 100 R1A 1/2" L.1700 FP90 1/2" + FP 1/2"                                       |      |
| 15  | 3225600 | MINIFLESSIBILE 2X5MM 600 BAR F.1/4" SEDE OGIVA + F.1/4" SEDE PIANA L.600 | MINIFLEXIBLE 2X5MM 600 BAR F.1/4" SIEGE D'OGIVE + F.1/4" SIEGE PLAT L.600 | MINI FLEXIBLE TUBE 2X5MM 600 BAR F.1/4" OGIVE SEAT + F.1/4" FLAT SEAT L.600 | METALLSCHLAUCH 2X5MM 600 BAR B.1/4" DICHTKEGEL-SITZ + B.1/4" FLACHER SITZ L.600 | MINIFLEXIBLE 2X5MM 600 BARES F.1/4" ALOJAMIENTO OJIVA + F.1/4" ALOJAMIENTO PLANO L.600 |      |
| 16  | 3225689 | MINIFLESSIBILE 2X5MM 600 BAR F.1/4" SEDE OGIVA + F.1/4" SEDE PIANA L.800 | MINIFLEXIBLE 2X5MM 600 BAR F.1/4" SIEGE OGIVE + F.1/4" SIEGE PLAT L.800   | MINI FLEXIBLE TUBE 2X5MM 600 BAR F.1/4" OGIVE SEAT + F.1/4" FLAT SEAT L.800 | METALLSCHLAUCH 2X5MM 600 BAR B.1/4" DICHTKEGEL-SITZ + B.1/4" FLACHER SITZ L.800 | MINIFLEXIBLE 2X5MM 600 BARES F.1/4" ALOJAMIENTO OJIVA + F.1/4" ALOJAMIENTO PLANO L.800 |      |

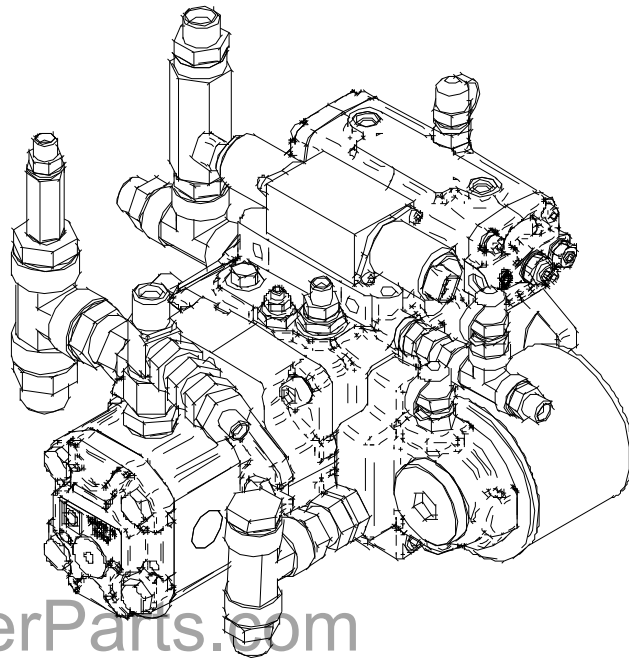
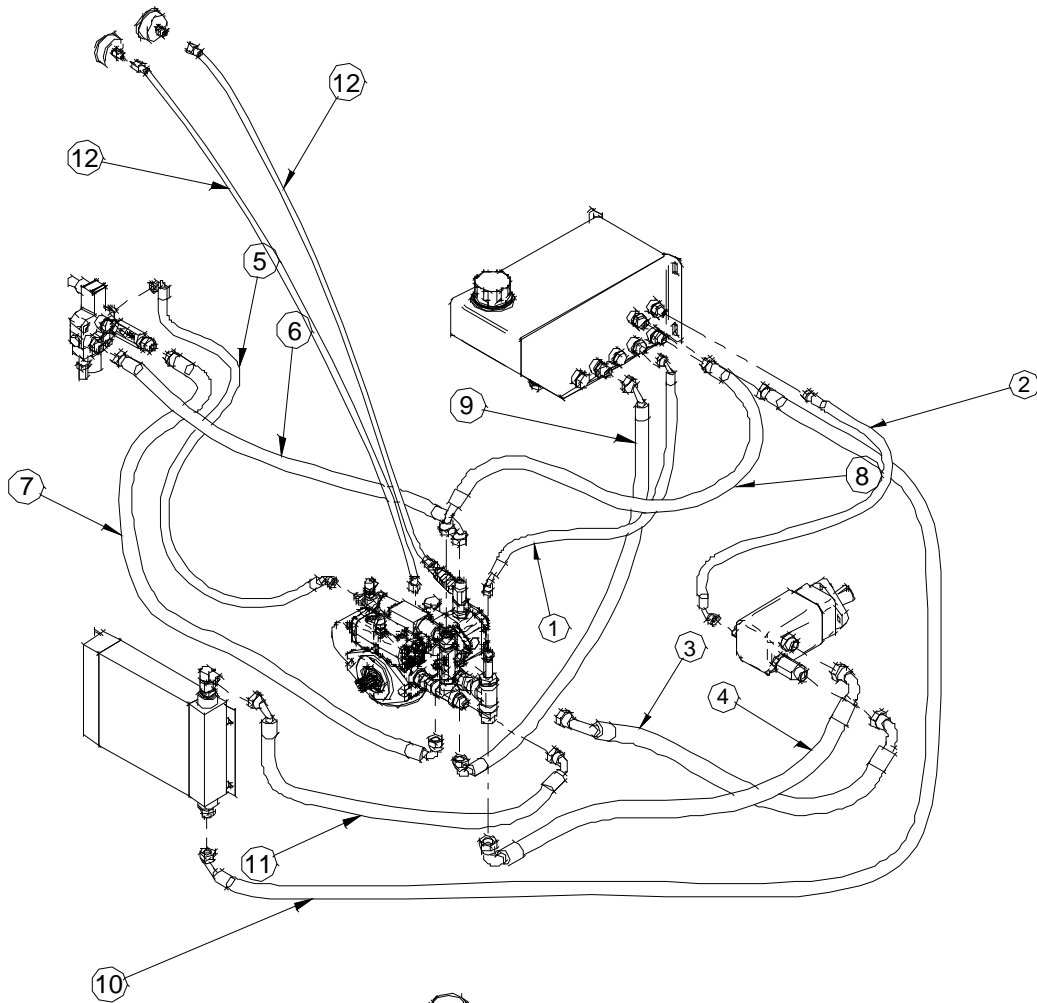
ImerParts.com  
888-634-4289  
An iBuy Stores Company



ImerParts.com  
888-634-4289  
An iBuy Stores Company **TAV. 9.2/A**



| TAV. 9.2/A - GRUPPO RACCORDI IMPIANTO OLEODINAMICO SILENT 300 - GROUPE RACCORDS CIRCUIT HYDRAULIQUE SILENT 300 A - SILENT 300 HYDRAULIC SYSTEM CONNECTIONS ASSEMBLY - BAUGRUPPE ANSCHLÜSSE HYDRAULIKANLAGE SILENT 300 - GRUPO EMPALMES SISTEMA OLEODINAMICO SILENT 300 |         |   |  |   |   |   |                                  |
|--|---------|---|--|---|---|---|----------------------------------|
| Rif.   | Cod.    | I   | F  | GB  | D   | E   | Note                             |
| 1  | 3224293 | SERBATIO OILIO 15L  | RESERVOIR D'HUILE 15 L                                       | OIL TANK 15L  | ÖLTANK 15 L   | DEPÓSITO ACEITE 15 L  |                                  |
| 2  | 3225640 | TAPP. ESAG. OLEOD. 1/2" SV.60°                              | BOUCHON HEX. HYDR. 1/2" SV.60°                               | HYDRAULIC HEX. PLUG 1/2" FL.60°                               | SECHSKANTVERSCHLUSS HYDR.ANL. 1/2" AUSGESENKT 60°       | TAP. HEXAG. OLEOD. 1/2" AV. 60°                               |                                  |
| 3  | 1220140 | RONDELLA AUTOCENTRANTE 1/2"                                 | RONDELLE AUTOCENTRANTE 1/2"                                  | SELF-CENTERING WASHER 1/2"                                    | SELBSTZENTRIERENDE UNTERLEGSCHIBE 1/2"                  | ARANDELA AUTOCENTRANTE 1/2"                                   |                                  |
| 4  | 2351846 | RONDELLA GM AUTOCENTRANTE 3/8"                              | RONDELLE GM AUTOCENTRANTE 3/8"                               | SELF-CENTERING WASHER GM 3/8"                                 | SELBSTZENTRIERENDE GM-UNTERLEGSCHIBE 3/8"               | ARANDELA GM AUTOCENTRANTE 3/8"                                |                                  |
| 5  | 3225152 | NIPLES OLEOD. CILINDRICO 1/2" SV. 60°                       | NIPLES HYDR. CYLINDRIQUE 1/2" SV. 60°                        | CYL. HYDRAULIC NIPPLE 1/2" FL. 60°                            | HYDR.NIPPEL ZYLIND. 1/2" AUSGESENKT 60°                 | NIPLE OLEOD. CILINDRICO 1/2" AV. 60°                          |                                  |
| 6  | 3225772 | CURVA 90° M.F.GIR. 1/2"                                     | COUDE 90° M.F.PV. 1/2"                                       | 90° BEND M.F. SWIVEL 1/2"                                     | WINKELSTÜCK 90° S-B DREHB. 1/2"                         | CURVA 90° M.H. GIR. 1/2"                                      |                                  |
| 7  | 3224469 | SCAMBIATORE DI CHALEUR OMT                                  | ECHANGEUR DE CHALEUR OMT                                     | "OMT" HEAT EXCHANGER  | WÄRMETAUSCHER "OMT"                                     | INTERCAMBIADOR DE CALOR "OMT"                                 |                                  |
| 8  | 3224336 | MOTORE  | MOTEUR   | ENGINE  | MOTOR   | MOTOR   | SAMHYDRAULIC M4PV21              |
| 9  | 3223625 | MANOMETRO GLIC. 0-10BAR 1/4" CONICO D.63 ATTACCO POSTERIORE | MANOMETRE GLIC. 0-10BAR 1/4" CONIQUE D.63 RACCORD ARRIERE    | PRESSURE GAUGE GLYC. 0-10 BAR 1/4" CONICAL D.63 REAR COUPLING | GLYZ.MANOMETER 0-10 BAR 1/4" KONISCH D.63 HINT. ANSCHL. | MANÓMETRO GLIC. 0-10 BARES 1/4" CÓNICO D. 63 CONEXIÓN TRASERA |                                  |
| 10   | 3224456 | POMPA APISTONI  | POMPE A PISTONS  | PISTON PUMP   | KOLBENPUMPE   | BOMBA DE PISTONES   | HP HYDRAULIC M4PV21              |
| 11   | 3225638 | TAPPO OLEODINAMICO F. GIREVOLE 1/4"                         | BOUCHON HYDRAULIQUE F. PIVOTANT 1/4"                         | HYDRAULIC PLUG F. SWIVEL 1/4"                                 | HYDR.VERSCHL. B. DREHB. 1/4"                            | TAPÓN OLEODINÁMICO H. GIRATORIO 1/4"                          |                                  |
| 12   | 3225125 | NIPLES OLEODINAMICO RIDOTTO CILINDRICO 1/2" 1/4"            | NIPLES HYDR. A FILETAGE CYLINDRIQUE REDUIT 1/2" 1/4"         | CYL. REDUCED HYDRAULIC NIPPLE 1/2" 1/4"                       | HYDR.NIPPEL REDUZIERSTÜCK ZYLINDRISCH 1/2" 1/4"         | NIPLE OLEODINÁMICO REDUCIDO CILINDRICO 1/2" 1/4"              |                                  |
| 13   | 3224516 | BOCCHETTONE CARICO OLIO                                     | GOULOTTE DE REMPLISSAGE D'HUILE                              | OIL FILLER  | ÖLEINFÜLLÖFFNUNG  | BOCA DE CARGA ACEITE  |                                  |
| 14   | 3225632 | RACCORDO OLEOD. T.F. 1/2"                                   | RACCORD HYDR. T.F. 1/2"                                      | HYDRAULIC T UNION F. 1/2"                                     | HYDR.ANSCHL. KOPF B. 1/2"                               | EMPALME OLEOD. T.H. 1/2"                                      |                                  |
| 15   | 3225623 | CURVA 90° M. CONICO F. GIREVOLE 1/2"                        | COUDE 90° M. CONIQUE F. PIVOTANT 1/2"                        | 90° BEND M. CONICAL F. SWIVEL 1/2"                            | WINKELSTÜCK 90° S. KONISCH B. DREHB. 1/2"               | CURVA 90° M. CÓNICO H. GIRATORIO 1/2"                         |                                  |
| 16   | 3225624 | ADATTATORE OLEOD. 1/2" M.F.                                 | ADAPTATEUR HYDR. 1/2" M.F.                                   | HYDRAULIC ADAPTER 1/2" M.F.                                   | HYDR.PASSSTÜCK 1/2" S-B                                 | ADAPTADOR OLEOD. 1/2" M.H.                                    |                                  |
| 17   | 3225635 | VALVOLA OLEOD. NON RIT. 1/2" F.F. TAR 10 BAR                | CLAPET ANTI-RETOUR 1/2" F.F. TARAGE 10 BAR                   | HYDRAULIC NON-RETURN VALVE 1/2" F.F. SETTING 10 BAR           | RÜCKSCHLAGVENTIL HYDR.ANL. 1/2" B.-B. EICH. 10 BAR      | VÁLVULA OLEOD. ANTIRRET. 1/2" H.H. CAL 10 BARES               |                                  |
| 18   | 3225161 | NIPLES OLEOD. RIDOTTO CIL. 3/4" 1/2"                        | NIPLES HYDR. A FILETAGE CYLINDRIQUE REDUIT 3/4" 1/2"         | CYL. REDUCED HYDRAULIC NIPPLE 3/4" 1/2"                       | HYDR.NIPPEL REDUZIERSTÜCK ZYL. 3/4" 1/2"                | NIPLE OLEOD. REDUCTOR CIL. 3/4" 1/2"                          |                                  |
| 19   | 3225165 | RONDELLA GM AUTOCENTRANTE 3/4"                              | RONDELLE GM AUTOCENTRANTE 3/4"                               | SELF-CENTERING WASHER GM 3/4"                                 | SELBSTZENTRIERENDE GM-UNTERLEGSCHIBE 3/4"               | ARANDELA GM AUTOCENTRANTE 3/4"                                |                                  |
| 20   | 3225160 | TAPPO ESAGONALE OLEOD. 3/8" SV 60°                          | BOUCHON HEXAGONAL HYDR. 3/8" SV 60°                          | HYDRAULIC HEX. PLUG 3/8" FL. 60°                              | SECHSKANTVERSCHL. HYDR. 3/8" AUSGESENKT 60°             | TAPÓN HEXAGONAL OLEOD. 3/8" AV. 60°                           |                                  |
| 21   | 3225620 | NIPLES OLEOD. CILIND. 3/4" SV. 60°                          | NIPLES HYDR.   | CYL. HYDRAULIC NIPPLE 3/4" FL. 60°                            | HYDR.NIPPEL ZYLIND. 3/4" AUSGESENKT 60°                 | NIPLE OLEOD. CILIND. 3/4" AV. 60°                             |                                  |
| 22   | 3225755 | PROLUNGA OLEOD. M.F. 3/8" L.20mm SV. 60°                    | RALLONGE HYDR. M.F. 3/8" L.20mm SV. 60°                      | HYDRAULIC EXTENSION M.F. 3/8" L.20mm FL. 60°                  | HYDR.VERLÄNGERUNG S.-B. 3/8" L.20 MM AUSGESENKT 60°     | PROLONGACIÓN OLEOD M.H. 3/8" L. 20 mm AV. 60°                 |                                  |
| 23   | 3225124 | NIPLES OLEOD. RIDOTTO CIL. 3/8" 1/4" SV. 60°                | NIPLES HYDR. A FILETAGE CYLINDRIQUE REDUIT 3/8" 1/4" SV. 60° | CYL. REDUCED HYDRAULIC NIPPLE 3/8" 1/4" FL. 60°               | HYDR.NIPPEL REDUZIERSTÜCK ZYL. 3/8" 1/4" AUSGESENKT 60° | NIPLE OLEOD. REDUCTOR CIL. 3/8" 1/4" AV. 60°                  |                                  |
| 24   | 3225626 | RACCORDO OLEOD. T.F.F. 3/8"                                 | RACCORD HYDR. T.F.F. 3/8"                                    | HYDRAULIC T UNION F.F. 3/8"                                   | HYDR.ANSCHL. KOPF B.-B. 3/8"                            | EMPALME OLEOD. T.H. H. 3/8"                                   |                                  |
| 25   | 3225154 | NIPLES OLEOD. RIDOTTO CIL. 1/2" 3/8"                        | NIPLES HYDR. A FILETAGE CYLINDRIQUE REDUIT 1/2" 3/8"         | CYL. REDUCED HYDRAULIC NIPPLE 1/2" 3/8"                       | HYDR.NIPPEL REDUZIERSTÜCK ZYL. 1/2" 3/8"                | NIPLE OLEOD. REDUCTOR CIL. 1/2" 3/8"                          |                                  |
| 26   | 3251845 | RONDELLA GM AUTOCENTRANTE 1/4"                              | RONDELLE GM AUTOCENTRANTE 1/4"                               | SELF-CENTERING WASHER GM 1/4"                                 | SELBSTZENTRIERENDE GM-UNTERLEGSCHIBE 1/4"               | ARANDELA GM AUTOCENTRANTE 1/4"                                |                                  |
| 27   | 3225123 | NIPLES OLEOD. CIL. 1/4" SV. 60°                             | NIPLES HYDR. CYL. 1/4" SV. 60°                               | CYL. HYDRAULIC NIPPLE 1/4" FL. 60°                            | HYDR.NIPPEL ZYL. 1/4" AUSGESENKT 60°                    | NIPLE OLEOD. CIL. 1/4" AV. 60°                                |                                  |
| 28   | 3224380 | PISTONE DOPPIO EFFETTO                                      | PISTON DOUBLE EFFET  | DOUBLE-ACTING PISTON  | DOPPELT WIRKENDE ZYLINDER                               | PISTÓN DOBLE EFECTO   |                                  |
| 29   | 3225633 | PROLUNGA OLEOD.F. M.F. L30MM SV 60°                         | RALLONGE HYDR. M.F. L30MM SV 60°                             | HYDRAULIC EXTENSION M.F. L30MM FL. 60°                        | HYDR.VERLÄNGERUNG S.-B. L 30 MM AUSGESENKT 60°          | PROLONGACIÓN OLEOD M.H. L 30 MM AV. 60°                       |                                  |
| 30   | 3225634 | VALVOLA OLEOD. NON RITORNO 1/2" F.F. TAR 2 BAR              | CLAPET ANTI-RETOUR 1/2" F.F. TARAGE 2 BAR                    | HYDRAULIC NON-RETURN VALVE 1/2" F.F. SETTING 2 BAR            | RÜCKSCHLAGVENTIL HYDR. 1/2" B.-B. EICH. 2 BAR           | VÁLVULA OLEOD. ANTIRRETROCESO 1/2" H.H. CAL 2 BARES           |                                  |
| 31   | 3225622 | ADATT. OLEOD. 3/4" M.F.                                     | ADAPT. HYDR. 3/4" M.F.                                       | HYDRAULIC ADAPTER 3/4" M.F.                                   | PASSST. HYDR. 3/4" S.-B.                                | ADAPT. OLEOD. 3/4" M.H.                                       |                                  |
| 32   | 3225617 | RACCORDO OLEOD. T.F. 3/4"                                   | RACCORD HYDR. T.F. 3/4"                                      | HYDRAULIC T UNION F. 3/4"                                     | HYDR.NIPPEL REDUZIERSTÜCK ZYL. 3/4" 1/4" AUSGESENKT 60° | EMPALME OLEOD. T.H. 3/4"                                      |                                  |
| 33   | 3225618 | NIPLES OLEOD. RIDOT. CIL. 3/4" 1/4" SV. 60°                 | NIPLES HYDR. REDUIT CYL. 3/4" 1/4" SV. 60°                   | CYL. REDUCED HYDRAULIC NIPPLE 3/4" 1/4" FL. 60°               | SÄULE 1/4" B.-B. + DURCHFLOSSVENTIL 5 L                 | NIPLE OLEOD. REDUC. CIL. 3/4" 1/4" AV. 60°                    |                                  |
| 34   | 3225654 | COLONNETTA 1/4" F.F.+VALVOLA DI FLUSSO SLT                  | COLONNETTE 1/4" F.F.+ REGULATEUR DE DEBIT 5 L                | COLUMN 1/4" F.F.+FLOW VALVE SLT                               | HYDR.VERLÄNGERUNG S.-B. 3/4" L 45 MM AUSGESENKT 60°     | ESPÁRRAGO 1/4" H.F.+VÁLVULA DE FLUJO 5 L                      |                                  |
| 35   | 3225621 | PROLUNGA OLEOD. M.F. 3/4" L45MM SV 60°                      | RALLONGE HYDR. M.F. 3/4" L45MM SV 60°                        | HYDRAULIC EXTENSION M.F. 3/4" L45MM FL. 60°                   | HYDR.PASSSTÜCK KOPF F. 1/4"                             | PROLONGACIÓN OLEOD M.H. 3/4" L 45 MM AV. 60°                  |                                  |
| 36   | 3225155 | ADATTATORE OLEOD. T.F. 1/4"                                 | ADAPTATEUR HYDR. T.F. 1/4"                                   | HYDRAULIC T ADAPTER. F. 1/4"                                  | HYDR.ANSCHL. KOPF B. T.H. 1/4"                          | ADAPTADOR OLEOD. T.H. 1/4"                                    |                                  |
| 37   | 3225629 | RACCORDO OLEOD. T.F. 1/4"                                   | RACCORD HYDR.T.F. 1/4"                                       | HYDRAULIC T UNION F. 1/4"                                     | DRUCKANSCHLUSS 1/4" M16x2                               | EMPALME OLEOD. T.H. 1/4"                                      |                                  |
| 38   | 3225636 | MINIPRESA DI PRESSIONE 1/4" M16x2                           | MINIPRESSE DE PRESSION 1/4" M16x2                            | MINI PRESSURE POINT 1/4" M16x2                                | HEBEL STEUERGERÄT M8 L90 MM                             | MINITOMA DE PRESIÓN 1/4" M16x2                                |                                  |
| 39   | 3225959 | LEVA DISTRIBUTORE M8 L90 mm                                 | LEVIER DE DISTRIBUTEUR M8 L90 mm                             | DISTRIBUTOR LEVER M8 L90 mm                                   | HEBEL STEUERGERÄT M8 L135 MM                            | PALANCA DISTRIBUIDOR M8 L 90 mm                               |                                  |
| 40   | 3225844 | LEVA DISTRIBUTORE M8 L135 mm                                | LEVIER DE DISTRIBUTEUR M8 L135 mm                            | DISTRIBUTOR LEVER M8 L135 mm                                  | STEUERGERÄT   | PALANCA DISTRIBUIDOR M8 L 135 mm                              |                                  |
| 41   | 3224460 | DISTRIBUTORE  | DISTRIBUTEUR   | DISTRIBUTOR   | STEUERGERÄT   | DISTRIBUIDOR  | HYDROCONTROL HC-D94(SILENT 1300) |
| 41   | 3224462 | DISTRIBUTORE  | DISTRIBUTEUR   | DISTRIBUTOR   | MOTOR   | DISTRIBUIDOR  | HYDROCONTROL HC-D24(SILENT 300A) |
| 42   | 3224304 | MOTORE  | MOTEUR   | ENGINE  | MOTOR   | MOTOR   | SAMHYDRAULIC BR250 T.C32         |
| 43   | 3225960 | POMPA A INGRANAGGI  | POMPE A ENGRENAGE  | GEAR PUMP   | ZAHNRADPUMPE  | BOMBA DE ENGRANAJES   |                                  |
| 44   | 3225961 | BOBINA ELETTROVALVOLA                                       | SOLENOIDE ELECTROVALVE                                       | SOLENOID VALVE COIL   | SPIULE MAGNETVENTIL                                     | BOBINA ELECTROVALVOLA   |                                  |
| 45   | 3225962 | FILTRO OLIO   | FILTRE A HUILE   | OIL FILTER  | ÖLFILTER  | FILTRO ACEITE   |                                  |



ImerParts.com  
888-634-4289  
An iBuy Stores Company

TAV. 9.1/B

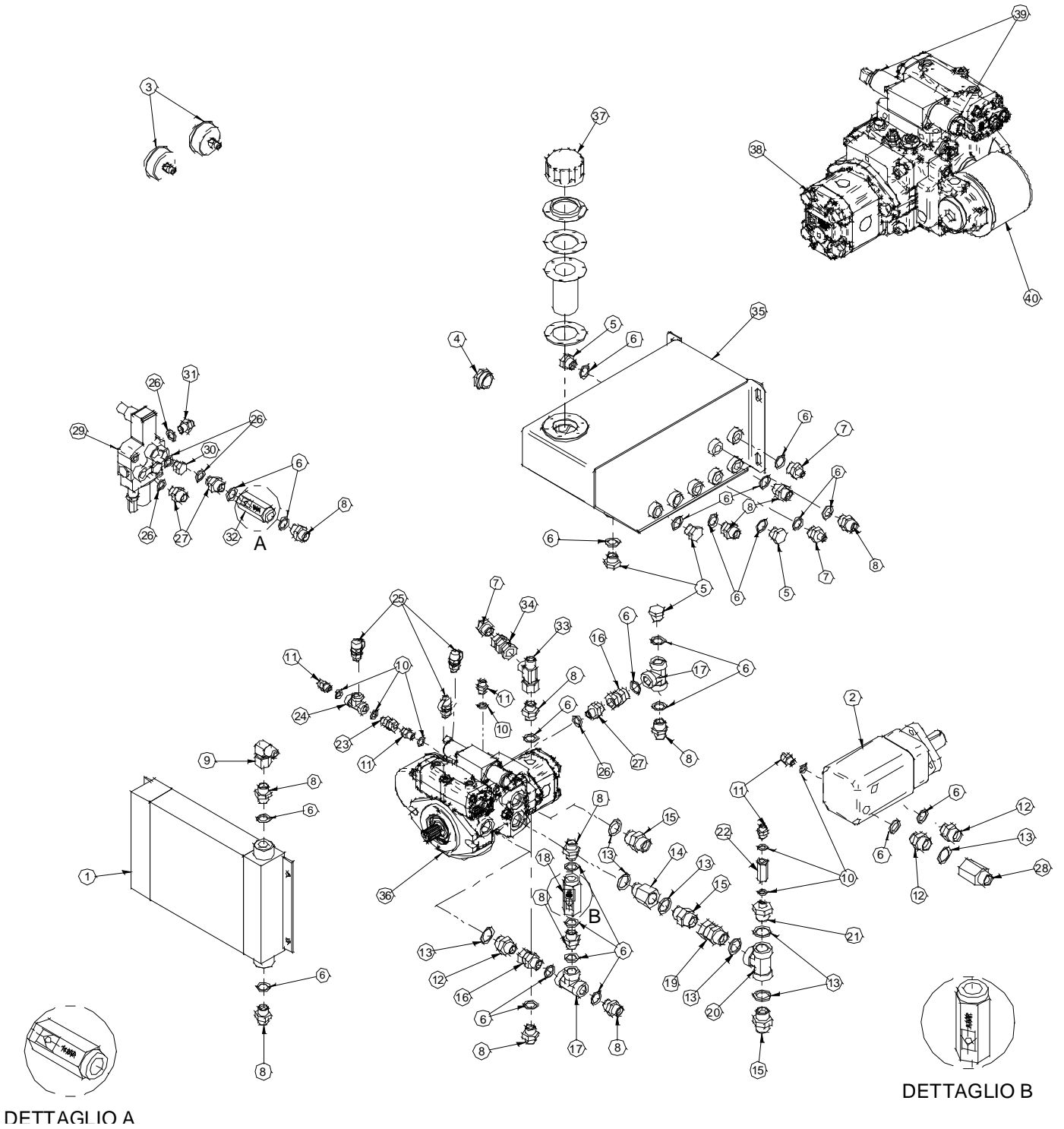


**TAV. 9.1/B - GRUPPO TUBI IMPIANTO OLEODINAMICO SILENT 300 A - GROUPE TUYAUTERIES DU CIRCUIT HYDRAULIQUES SILENT 300 A - SILENT 300 A  
HYDRAULIC SYSTEM PIPES UNIT - BAUGRUPPE SCHLAUCHLEITUNGEN HYDRAULIKANLAGE SILENT 300 A - GRUPO TUBOS SISTEMA OLEODINAMICO SILENT  
300 A**

| Rif. | Cod.    | I   | F  | GB   | D   | E  | Note |
|------|---------|---|--|--|---|--|------|
| 1    | 3225657 | TUBO SAE 100 R1A 1/4"<br>L.550 FP45 1/4" + FP 1/4"                                | TUYAU SAE 100 R1A 1/4"<br>L.550 FP45 1/4" + FP 1/4"                              | PIPE SAE 100 R1A 1/4"<br>L.550 FP45 1/4" + FP 1/4"                                   | SCHLAUCH SAE 100<br>R1A 1/4" L.550 FP45 1/4"<br>+ FP 1/4"                                   | TUBO SAE 100 R1A 1/4"<br>L.550 FP45 1/4" + FP 1/4"   |      |
| 2    | 3225658 | TUBO SAE 100 R1A 1/4"<br>L.680 FP90 1/4" + FP90<br>1/4" 180°                      | TUYAU SAE 100 R1A<br>1/4" L.680 FP90 1/4" +<br>FP90 1/4" 180°                    | PIPE SAE 100 R1A 1/4"<br>L.680 FP90 1/4" + FP90<br>1/4" 180°                         | SCHLAUCH SAE 100<br>R1A 1/4" L.680 FP90<br>1/4" + FP90 1/4" 180°                            | TUBO SAE 100 R1A 1/4"<br>L.680 FP90 1/4" + FP90<br>1/4" 180°                                       |      |
| 3    | 3225659 | TUBO SAE 100 R9R 3/4"<br>L.590 FP90 3/4" + FP90<br>3/4" 345°                      | TUYAU SAE 100 R9R<br>3/4" L.590 FP90 3/4" +<br>FP90 3/4" 345°                    | PIPE SAE 100 R9R 3/4"<br>L.590 FP90 3/4" + FP90<br>3/4" 345°                         | SCHLAUCH SAE 100<br>R9R 3/4" L.590 FP90<br>3/4" + FP90 3/4" 345°                            | TUBO SAE 100 R9R 3/4"<br>L.590 FP90 3/4" + FP90<br>3/4" 345°                                       |      |
| 4    | 3225660 | TUBO SAE 100 R9R 3/4"<br>L.550 FP90 3/4" + FP90<br>3/4" 325°                      | TUYAU SAE 100 R9R<br>3/4" L.550 FP90 3/4" +<br>FP90 3/4" 325°                    | PIPE SAE 100 R9R 3/4"<br>L.550 FP90 3/4" + FP90<br>3/4" 325°                         | SCHLAUCH SAE 100<br>R9R 3/4" L.550 FP90 3/4"<br>+ FP90 3/4" 325°                            | TUBO SAE 100 R9R 3/4"<br>L.550 FP90 3/4" + FP90<br>3/4" 325°                                       |      |
| 5    | 3225662 | TUBO SAE 100 R1A 1/4"<br>L.620 FP90 1/4" + FP45<br>1/4" 130°                      | TUYAU SAE 100 R1A 1/4"<br>L.620 FP90 1/4" + FP45<br>1/4" 130°                    | PIPE SAE 100 R1A 1/4"<br>L.620 FP90 1/4" + FP45<br>1/4" 130°                         | SCHLAUCH SAE 100<br>R1A 1/4" L.620 FP90 1/4"<br>+ FP45 1/4" 130°                            | TUBO SAE 100 R1A 1/4"<br>L.620 FP90 1/4" + FP45<br>1/4" 130°                                       |      |
| 6    | 3225665 | TUBO SAE 100 R2A 1/2"<br>L.550 FP90 1/2" + FP 1/2"                                | TUYAU SAE 100 R2A 1/2"<br>L.550 FP90 1/2" + FP 1/2"                              | PIPE SAE 100 R2A 1/2"<br>L.550 FP90 1/2" + FP 1/2"                                   | SCHLAUCH SAE 100<br>R2A 1/2" L.550 FP90 1/2"<br>+ FP 1/2"                                   | TUBO SAE 100 R2A 1/2"<br>L.550 FP90 1/2" + FP 1/2"   |      |
| 7    | 3225666 | TUBO SAE 100 R1A 1/2"<br>L.360 FP90 1/2" + FP 1/2"                                | TUYAU SAE 100 R1A 1/2"<br>L.360 FP90 1/2" + FP 1/2"                              | PIPE SAE 100 R1A 1/2"<br>L.360 FP90 1/2" + FP 1/2"                                   | SCHLAUCH SAE 100<br>R1A 1/2" L.360 FP90 1/2"<br>+ FP 1/2"                                   | TUBO SAE 100 R1A 1/2"<br>L.360 FP90 1/2" + FP 1/2"   |      |
| 8    | 3225667 | TUBO SAE 100 R1A 1/2"<br>L.570 FP45 1/2" + FP 1/2"                                | TUYAU SAE 100 R1A 1/2"<br>L.570 FP45 1/2" + FP 1/2"                              | PIPE SAE 100 R1A 1/2"<br>L.570 FP45 1/2" + FP 1/2"                                   | SCHLAUCH SAE 100<br>R1A 1/2" L.570 FP45 1/2"<br>+ FP 1/2"                                   | TUBO SAE 100 R1A 1/2"<br>L.570 FP45 1/2" + FP 1/2"   |      |
| 9    | 3225668 | TUBO SAE 100 R1A 1/2"<br>L.740 FP90 1/2" + FP90<br>1/2" 270°                      | TUYAU SAE 100 R1A 1/2"<br>L.740 FP90 1/2" + FP90<br>1/2" 270°                    | PIPE SAE 100 R1A 1/2"<br>L.740 FP90 1/2" + FP90<br>1/2" 270°                         | SCHLAUCH SAE 100<br>R1A 1/2" L.740 FP90 1/2"<br>+ FP90 1/2" 270°                            | TUBO SAE 100 R1A 1/2"<br>L.740 FP90 1/2" + FP90<br>1/2" 270°                                       |      |
| 10   | 3225669 | TUBO SAE 100 R1A 1/2"<br>L.1170 FP90 1/2" + FP90<br>1/2"                          | TUYAU SAE 100 R1A 1/2"<br>L.1170 FP90 1/2" + FP90<br>1/2"                        | PIPE SAE 100 R1A 1/2"<br>L.1170 FP90 1/2" + FP90<br>1/2"                             | SCHLAUCH SAE 100<br>R1A 1/2" L.1170 FP90<br>1/2" + FP90 1/2"                                | TUBO SAE 100 R1A 1/2"<br>L.1170 FP90 1/2" + FP90<br>1/2"   |      |
| 11   | 3225670 | TUBO SAE 100 R1A 1/2"<br>L.1700 FP90 1/2" + FP<br>1/2"                            | TUYAU SAE 100 R1A 1/2"<br>L.1700 FP90 1/2" + FP<br>1/2"                          | PIPE SAE 100 R1A 1/2"<br>L.1700 FP90 1/2" + FP<br>1/2"                               | SCHLAUCH SAE 100<br>R1A 1/2" L.1700 FP90<br>1/2" + FP 1/2"                                  | TUBO SAE 100 R1A 1/2"<br>L.1700 FP90 1/2" + FP<br>1/2"   |      |
| 12   | 3225600 | MINIFLESSIBILE 2X5MM<br>600 BAR F.1/4" SEDE<br>OGIVA + F.1/4" SEDE<br>PIANA L.600 | MINIFLEXIBLE 2X5MM<br>600 BAR F.1/4" SIEGE<br>OGIVE + F.1/4" SIEGE<br>PLAT L.600 | MINI FLEXIBLE TUBE<br>2X5MM 600 BAR F.1/4"<br>OGIVE SEAT + F.1/4"<br>FLAT SEAT L.600 | METALLSCHLAUCH<br>2X5MM 600 BAR B.1/4"<br>DICHTKEGEL-SITZ +<br>B.1/4" FLACHER SITZ<br>L.600 | MINIFLEXIBLE 2X5MM<br>600 BARES F.1/4"<br>ALOJAMIENTO OJIVA +<br>F.1/4" ALOJAMIENTO<br>PLANO L.600 |      |

ImerParts.com  
888-634-4289  
An iBuy Stores Company

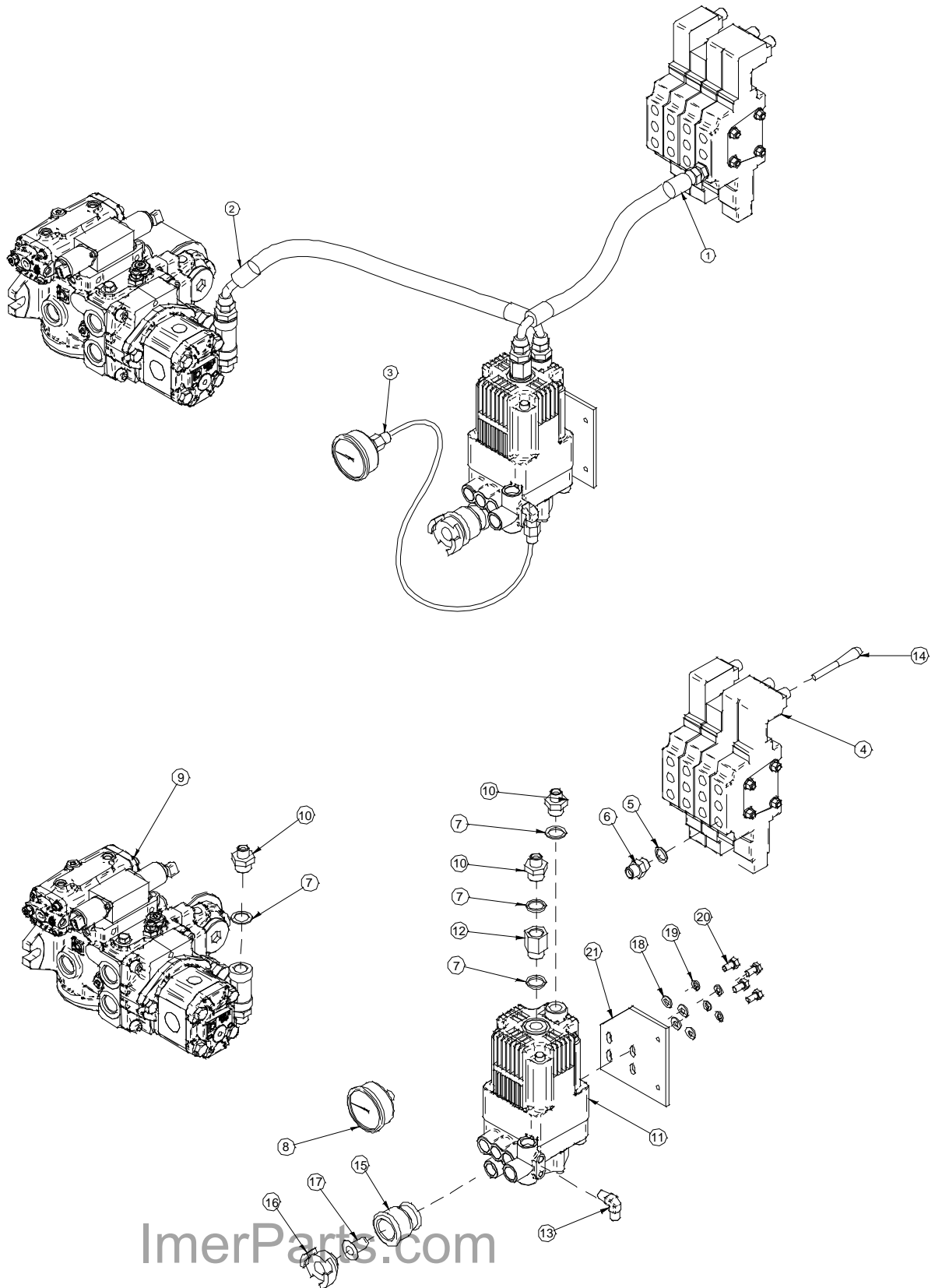




ImerParts.com  
 888-634-4289  
 An iBuy Stores Company **TAV. 9.2/B**



| TAV. 9.2/ B - GRUPPO RACCORDI IMPIANTO OLEODINAMICO SILENT 300 A - GROUPE RACCORDS CIRCUIT HYDRAULIQUE SILENT 300 A - SILENT 300 A HYDRAULIC SYSTEM UNIONS ASSEMBLY - BAUGRUPPE ANSCHLÜSSE HYDRAULIKANLAGE SILENT 300 A - GRUPO EMPALMES SISTEMA OLEODINÁMICO SILENT 300 A |         |   |   |  |   |  |                                 |
|--|---------|---|---|--|---|--|---------------------------------|
| Rif.   | Cod.    | I   | F   | GB   | D   | E  | Note                            |
| 1  | 3224469 | SCAMBIATORE DI CALORE "OMT"                                 | ECHANGEUR DE CHALEUR "OMT"                                | HEAT EXCHANGER "OMT"   | WÄRMETAUSCHER   | INTERCAMBIADOR DE CALOR "OMT"                                |                                 |
| 2  | 3224336 | MOTORE  | MOTEUR  | ENGINE   | MOTOR   | MOTOR  | SAMHYDRAULIC M4PV21             |
| 3  | 3223625 | MANOMETRO GLIC. 0-10BAR 1/4" CONICO D.63 ATTACCO POSTERIORE | MANOMETRE GLIC. 0-10BAR 1/4" CONIQUE D.63 RACCORD ARRIERE | PRESSURE GAUGE GLYC. 0-10BAR 1/4" CONICAL D.63 REAR CONNECTION | GLYZ.MANOMETER 0-10 BAR 1/4" KONISCH D.63 HINTERES ANSCHLUSSSTÜCK | MANÓMETRO GLIC. 0-10 BARES 1/4" CÓNICO D.63 CONEXIÓN TRASERA |                                 |
| 4  | 3225638 | TAPPO OLEODINAMICO F. GIREVOLE 1/4"                         | BOUCHON HYDRAULIQUE F. PIVOTANT 1/4"                      | HYDRAULIC PLUG F. SWIVEL 1/4"                                  | VERSCHLUSS HYDRAULIKANLAGE B. DREHBAR 1/4"                        | TAPÓN OLEODINÁMICO H. GIRATORIO 1/4"                         |                                 |
| 5  | 3225640 | TAPP. ESAG. OLEOD. 1/2" SV.60°                              | BOUCHON HEX. HYDR. 1/2" SV.60°                            | HYDRAULIC HEX. PLUG 1/2" FL.60°                                | SECHSKANT-VERSCHLUSS HYDR. 1/2" AUSGESENKT 60°                    | TAP. HEXAG. OLEOD. 1/2" AV. 60°                              |                                 |
| 6  | 1220140 | RONDELLA AUTOCENTRANTE 1/2"                                 | RONDELLE AUTOCENTRANTE 1/2"                               | SELF-CENTERING WASHER 1/2"                                     | SELBSTZENTRIERENDE UNTERLEGSCHLEIBE 1/2"                          | ARANDELA AUTOCENTRANTE 1/2"                                  |                                 |
| 7  | 3225125 | NIPLES OLEOD. RIDOTTO CIL. 1/2" 1/4"                        | NIPLES HYDR. REDUIT CYL. 1/2" 1/4"                        | CYL. REDUCED HYDRAULIC. NIPPLE 1/2" 1/4"                       | HYDR.-NIPPEL REDUZIERSTÜCK ZYL. 1/2" 1/4"                         | NIPLE OLEOD. REDUCIDO CIL. 1/2" 1/4"                         |                                 |
| 8  | 3225152 | NIPLES OLEOD. CILINDRICO 1/2" SV. 60°                       | NIPLES HYDR. CYLINDRIQUE 1/2" SV. 60°                     | CYL. HYDRAULIC NIPPLE 1/2" FL. 60°                             | HYDR.-NIPPEL ZYLINDERFÖRMIG 1/2" AUSGESENKT 60°                   | NIPLE OLEOD. CILÍNDRICO 1/2" AV. 60°                         |                                 |
| 9  | 3225772 | CURVA 90° M.F.GIR. 1/2"                                     | COUDE 90° M.F.PIV. 1/2"                                   | 90° BEND M.F.SWIVEL 1/2"                                       | WINKELSTÜCK 90° S.B.DREH. 1/2"                                    | CURVA 90° M.H. GIR. 1/2"                                     |                                 |
| 10   | 3251845 | RONDELLA GM AUTOCENTRANTE 1/4"                              | RONDELLE GM AUTOCENTRANTE 1/4"                            | SELF-CENTERING WASHER GM 1/4"                                  | SELBSTZENTRIERENDE GM-UNTERLEGSCHLEIBE 1/4"                       | ARANDELA GM AUTOCENTRANTE 1/4"                               |                                 |
| 11   | 3225123 | NIPLES OLEOD. CIL. 1/4 SV.60°                               | NIPLES HYDR. CYL. 1/4 SV.60°                              | CYL. HYDRAULIC NIPPLE 1/4" FL. 60°                             | HYDR.-NIPPEL ZYL. 1/4" AUSGESENKT 60°                             | NIPLE OLEOD. CIL. 1/4" AV. 60°                               |                                 |
| 12   | 3225161 | NIPLES OLEOD. RIDOTTO CIL. 3/4" 1/2"                        | NIPLES HYDR. REDUIT CYL. 3/4" 1/2"                        | CYL. REDUCED HYDRAULIC NIPPLE 3/4" 1/2"                        | HYDR.-NIPPEL REDUZIERSTÜCK ZYL. 3/4" 1/2"                         | NIPLE OLEOD. REDUCIDO CIL. 3/4" 1/2"                         |                                 |
| 13   | 3225165 | RONDELLA GM AUTOCENTRANTE 3/4"                              | RONDELLE GM AUTOCENTRANTE 3/4"                            | SELF-CENTERING WASHER GM 3/4"                                  | SELBSTZENTRIERENDE GM-UNTERLEGSCHLEIBE 3/4"                       | ARANDELA GM AUTOCENTRANTE 3/4"                               |                                 |
| 14   | 3225633 | PROLUNGA OLEOD. M.F. L30MM SV. 60°                          | RALLONGE HYDR. M.F. L30MM SV. 60°                         | HYDRAULIC EXTENSION FD. 3357 M.F. L30MM FL. 60°                | VERLÄNGERUNG HYDRAULIK S.B. L30 MM AUSGESENKT 60°                 | PROLONGACIÓN OLEOD. M.H. L30MM AV. 60°                       |                                 |
| 15   | 3225620 | NIPLES OLEOD. CILIND. 3/4" SV.60°                           | NIPLES HYDR. CYL. 3/4" SV.60°                             | CYL. HYDRAULIC NIPPLE 3/4" FL. 60°                             | NIPPEL HYDR. ZYL. 3/4" AUSGESENKT 60°                             | NIPLE OLEOD. CILÍND. 3/4" AV. 60°                            |                                 |
| 16   | 3225624 | ADATTATORE OLEOD. 1/2" M.F.                                 | ADAPTATEUR HYDR. 1/2" M.F.                                | HYDRAULIC ADAPTER 1/2" M.F.                                    | PASSSTÜCK HYDR. 1/2" S.B.   | ADAPTADOR OLEOD. 1/2" M.H.                                   |                                 |
| 17   | 3225632 | RACCORDO OLEOD. T.F. 1/2"                                   | RACCORD HYDR. T.T. 1/2"                                   | HYDRAULIC T. UNION F. 1/2"                                     | ANSCHLUSS HYDR. T.B. 1/2"   | EMPALME OLEOD. T.F. 1/2"                                     |                                 |
| 18   | 3225634 | VALVOLA OLEOD. NON RITORNO 1/2" F.F. TAR. 2 BAR             | CLAPET ANTI-RETOUR 1/2" F.F. TARAGE 2 BAR                 | HYDRAULIC NON-RETURN VALVE 1/2" F.F. SETTING 2 BAR             | HYDR. RÜCKSCHLAGVENTIL 1/2" B.B. EICH. 2 BAR                      | VÁLVULA OLEOD. ANTIRRETROCESO 1/2" H.H. CAL. 2 BARES         |                                 |
| 19   | 3225622 | ADATT. OLEOD. 3/4" M.F.                                     | ADAPT. HYDR. 3/4" M.F.                                    | HYDRAULIC ADAPTER 3/4" M.F.                                    | PASSSTÜCK HYDR. 3/4" S.B.   | ADAPT. OLEOD. 3/4" M.H.                                      |                                 |
| 20   | 3225617 | RACCORDO OLEOD. T.F. 3/4"                                   | RACCORD HYDR. T.F. 3/4"                                   | HYDRAULIC T. UNION 3357 F. 3/4"                                | ANSCHLUSS HYDR. T.B. 3/4"   | EMPALME OLEOD. T.H. 3/4"                                     |                                 |
| 21   | 3225618 | NIPLES OLEOD. RIDOT. CIL. 3/4" 1/4" SV. 60°                 | NIPLES HYDR. REDUIT CYL. 3/4" 1/4" SV. 60°                | CYL. REDUCED HYDRAULIC NIPPLE 3/4" 1/4" FL. 60°                | HYDR.-NIPPEL REDUZIERSTÜCK ZYL. 3/4" 1/4" AUSGESENKT 60°          | NIPLE OLEOD. REDUC. CIL. 3/4" 1/4" AV. 60°                   |                                 |
| 22   | 3225654 | COLONNETTA 1/4" F.F.+VALVOLA DI FLUSSO 5LT                  | COLONNETTE 1/4" F.F.+ REGULATEUR DE DEBIT 5 L             | COLUMN 1/4" F.F.+FLOW VALVE 5LT                                | SÄULE 1/4" B.B.+ DURCHFLUSSVENTIL 5 L                             | ESPÁRRAGO 1/4" H.H.+VÁLVULA DE FLUJO 5 L                     |                                 |
| 23   | 3225155 | ADATTATORE OLEOD. T.F. 1/4"                                 | ADAPTATEUR HYDR. T.F. 1/4"                                | HYDRAULIC T. ADAPTER F. 1/4"                                   | PASSSTÜCK HYDR. T.B. 1/4"   | ADAPTADOR OLEOD. T.H. 1/4"                                   |                                 |
| 24   | 3225629 | RACCORDO OLEOD. T.F. 1/4"                                   | RACCORD HYDR. T.F. 1/4"                                   | HYDRAULIC T. UNION F. 1/4"                                     | ANSCHLUSS HYDR. T.B. 1/4"   | EMPALME OLEOD. T.H. 1/4"                                     |                                 |
| 25   | 3225636 | MINIPRESA DI PRESSIONE 1/4" M16X2                           | MINIPRISE DE PRESSION 1/4" M16X2                          | MINI PRESSURE POINT 1/4" M16X2                                 | DRUCKANSCHLUSS 1/4" M16X2   | MINITOMA DE PRESIÓN 1/4" M16X2                               |                                 |
| 26   | 3251846 | RONDELLA GM AUTOCENTRANTE 3/8"                              | RONDELLE GM AUTOCENTRANTE 3/8"                            | SELF-CENTERING WASHER GM 3/8"                                  | SELBSTZENTRIERENDE GM-UNTERLEGSCHLEIBE 3/8"                       | ARANDELA GM AUTOCENTRANTE 3/8"                               |                                 |
| 29   | 3224462 | DISTRIBUTORE  | DISTRIBUTEUR  | DISTRIBUTOR  | STEUERGERÄT   | DISTRIBUIDOR   | HYDROCONTROL HC D24(SILENT300A) |
| 30   | 3225160 | TAPPO ESAGONALE OLEOD. 3/8" SV.60°                          | BOUCHON HEXAGONAL HYDR. 3/8" SV.60°                       | HYDRAULIC HEX. PLUG 3/8" FL. 60°                               | SECHSKANTVERSCHLUSS HYDR. 3/8" AUSGESENKT 60°                     | TAPÓN HEXAGONAL OLEOD. 3/8" AV. 60°                          |                                 |
| 31   | 3225124 | NIPLES OLEOD. RIDOTTO CIL. 3/8" 1/4" SV. 60°                | NIPLES HYDR. REDUIT CYL. 3/8" 1/4" SV. 60°                | CYL. REDUCED HYDRAULIC NIPPLE 3/8" 1/4" FL. 60°                | HYDR.-NIPPEL REDUZIERSTÜCK ZYL. 3/8" 1/4" AUSGESENKT 60°          | NIPLE OLEOD. REDUCTOR CIL. 3/8" 1/4" AV. 60°                 |                                 |
| 32   | 3225635 | VALVOLA OLEOD. NON RIT. 1/2" F.F. TAR. 10 BAR               | CLAPET ANTI-RETOUR 1/2" F.F. TARAGE 10 BAR                | HYDRAULIC NON-RETURN VALVE 1/2" F.F. SETTING 10 BAR            | RÜCKSCHLAGVENTIL HYDR. 1/2" B.B. EICH. 10 BAR                     | VÁLVULA OLEOD. ANTIRRET. 1/2" H.H. CAL. 10 BARES             |                                 |
| 33   | 3225164 | RACCORDO OLEOD. "T" M.F. 1/2" GIREVOLE                      | RACCORD HYDR. "T" M.F. 1/2" PIVOTANT                      | HYDRAULIC "T" UNION M.F. 1/2" SWIVEL SIDE                      | HYDR.ANSCHL. S.B. 1/2" DREHBAR SEITL.                             | EMPALME OLEOD. "T" M.H. 1/2" GIRATORIO LATERAL               |                                 |
| 34   | 3225378 | ADATTATORE OLEODINAMICO 1/2" F.F. SV. 60°                   | ADAPTATEUR HYDRAULIQUE 1/2" F.F. SV. 60°                  | HYDRAULIC ADAPTER 1/2" F.F. FL. 60°                            | PASSSTÜCK HYDR. 1/2" B.B. AUSGESENKT 60°                          | ADAPTADOR OLEODINÁMICO 1/2" H.H. AV. 60°                     |                                 |
| 35   | 3224293 | SERBATOIO OLIO 15L  | RESERVOIR D'HUILE 15 L                                    | OIL TANK 15L   | ÖLBEHÄLTER 15 L   | DEPÓSITO ACEITE 15 L   |                                 |
| 36   | 3224456 | POMPA A PISTONI   | POMPE A PISTONS   | PISTON PUMP  | KOLBENPUMPE   | BOMBA DE PISTONES  | HP HYDRAULIC M4PV21             |
| 37   | 3224516 | BOCCHETTONE CARICO OLIO                                     | GOULOTTE DE REMPLISSAGE D'HUILE                           | OIL FILLER   | ÖLENFÜLLSTUTZEN   | BOCA DE CARGA ACEITE   |                                 |
| 38   | 3225960 | POMPA A INGRANAGGI  | POMPE A ENGRENAGE   | GEAR PUMP  | ZAHNRADPUMPE  | POMPA DE ENGRANAJES  |                                 |
| 39   | 3225961 | BOBINA ELETTROVALVOLA                                       | SOLENOIDE ELECTROVALVE                                    | SOLENOID VALVE COIL  | MAGNETVENTILSPULE   | BOBINA ELECTROVÁLVULA  |                                 |
| 40   | 3225962 | FILTRO OLIO   | FILTRE A HUILE  | OIL FILTER   | ÖLFILTER  | FILTRO ACEITE  |                                 |



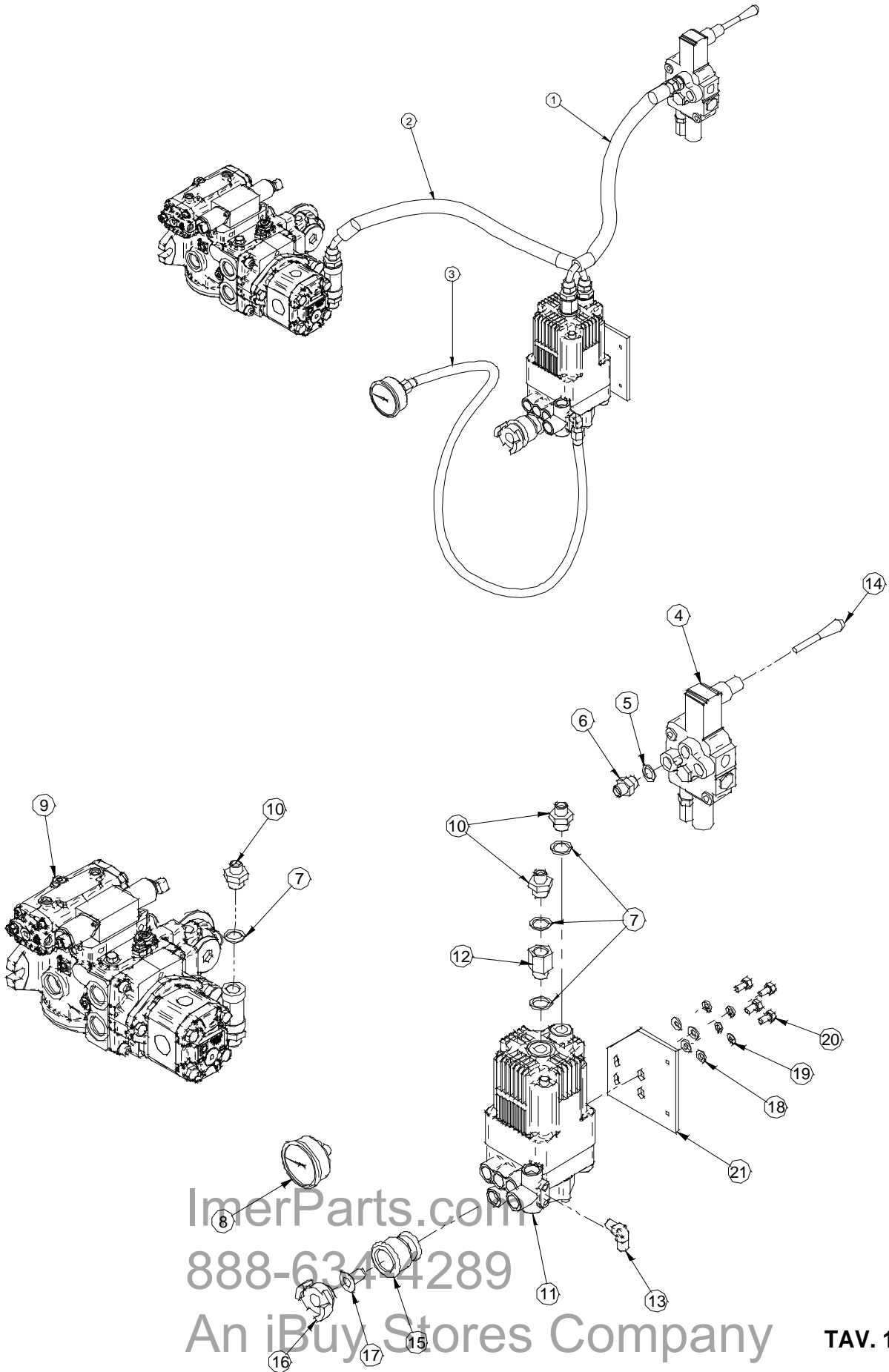
ImerParts.com  
888-634-4289  
An iBuy Stores Company

TAV. 10/A



| TAV. 10/A - IMPIANTO OLEODINAMICO SILENT 300 - CIRCUIT HYDRAULIQUE SILENT 300 - SILENT 300 HYDRAULIC SYSTEM - HYDRAULIKANLAGE SILENT 300 - SISTEMA OLEODINAMICO SILENT 300 |         |  |   |   |   |   |                         |
|--|---------|--|---|---|---|---|-------------------------|
| Rif.   | Cod.    | I  | F   | GB  | D   | E   | Note                    |
| 1  | 3225655 | TUBO SAE 100 R2A 3/8" L. 1040 FP90 3/8" + FP 3/8"                        | TUYAU SAE 100 R2A 3/8" L. 1040 FP90 3/8" + FP 3/8"                      | PIPE SAE 100 R2A 3/8" L. 1040 FP90 3/8" + FP 3/8"                           | SCHLAUCH SAE 100 R2A 3/8" L. 1040 FP90 3/8" + FP 3/8"                           | TUBO SAE 100 R2A 3/8" L. 1040 FP90 3/8" + FP 3/8"                                       |                         |
| 2  | 3225656 | TUBO SAE 100 R1A 3/8" L.63 FP90 3/8" + FP 45 3/8" 90°                    | TUYAU SAE 100 R1A 3/8" L.63 FP90 3/8" + FP 45 3/8" 90°                  | PIPE SAE 100 R1A 3/8" L.63 FP90 3/8" + FP 45 3/8" 90°                       | SCHLAUCH SAE 100 R1A 3/8" L.63 FP90 3/8" + FP 45 3/8" 90°                       | TUBO SAE 100 R1A 3/8" L.63 FP90 3/8" + FP 45 3/8" 90°                                   |                         |
| 3  | 3225600 | MINIFLESSIBILE 2X5MM 600 BAR F 1/4" SEDE OGIVA + F1/4" SEDE PIANA L. 600 | MINIFLEXIBLE 2X5MM 600 BAR F 1/4" SIEGE OGIVE + F1/4" SIEGE PLAT L. 600 | MINI FLEXIBLE TUBE 2X5MM 600 BAR F 1/4" OGIVE SEAT + F1/4" FLAT SEAT L. 600 | METALLSCHLAUCH 2X5MM 600 BAR F 1/4" DICHTKEGEL-SITZ + F1/4" FLACHER SITZ L. 600 | MINIFLEXIBLE 2X5MM 600 BARES F 1/4" ALOJAMIENTO OJIVA + F 1/4" ALOJAMIENTO PLANO L. 600 |                         |
| 4  | 3224460 | DISTRIBUTORE   | DISTRIBUTEUR  | DISTRIBUTOR   | STEUERGERÄT   | DISTRIBUIDOR  | HYDROCONTROL HC-D9/4    |
| 5  | 3251846 | RONDELLA GM AUTOCENTRANTE 3/8"   | RONDELLE GM AUTOCENTRANTE 3/8"  | SELF-CENTERING WASHER GM 3/8"   | SELBSTZENTRIERENDE GM-UNTERLEGSCHLEIBE 3/8"                                     | ARANDELA GM AUTOCENTRANTE 3/8"  |                         |
| 6  | 3225153 | NIPLES OLEOD. CILINDR. 3/8" SV.60°                                       | NIPLES HYDR. VERIN 3/8" SV.60°  | NIPPLE HYDRAULIC CYL. 3/8" FL.60°   | NIPPEL HYDR. ZYLIN. 3/8" AUSGESENKT 60°   | NIPLE OLEOD. CILINDRICO 3/8" AV. 60°  |                         |
| 7  | 1220140 | RONDELLA GM AUTOCENTRANTE 1/2"   | RONDELLE GM AUTOCENTRANTE 1/2"  | SELF-CENTERING WASHER GM 1/2"   | SELBSTZENTRIERENDE GM-UNTERLEGSCHLEIBE 1/2"                                     | ARANDELA GM AUTOCENTRANTE 1/2"  |                         |
| 8  | 3223625 | MANOMETRO GLIC. 0-10 BAR 1/4" CONICO D63 ATTACCO POSTERIORE              | MANOMETRE GLYCERINE 0-10 BAR 1/4" CONIQUE D63 RACCORD ARRIERE           | PRESSURE GAUGE GLYC. 0-10 BAR 1/4" CONICAL D63 REAR COUPLING                | GLYZ.MANOMETER 0-10 BAR 1/4" KONISCH D63 HINT. ANSCHLUSS                        | MANÓMETRO GLIC. 0-10 BARES 1/4" CÓNICO D63 CONEXIÓN TRASERA                             |                         |
| 9  | 3224456 | POMPA A PISTONI  | POMPE A PISTONS   | PISTON PUMP   | KOLBENPUMPE   | BOMBA DE PISTONES   | HP HYDRAULIC M4PV21     |
| 10   | 3225154 | NIPLES OLEOD. RIDOTTO CILINDRICO 1/2" 3/8"                               | NIPLES HYDR. A FILETAGE CYLINDRIQUE REDUIT 1/2" 3/8"                    | CYL. REDUCED HYDRAULIC NIPPLE 1/2" 3/8"                                     | HYDR.-NIPPEL REDUZIERSTÜCK ZYLINDERFÖRMIG 1/2" 3/8"                             | NIPLE OLEOD. REDUCIDO CILINDRICO 1/2" 3/8"  |                         |
| 11   | 3224471 | POMPA IDROPULTRICE   | POMPE DE NETTOYEUR HP   | PRESSURE WATER CLEANER PUMP   | PUMPE HOCHDRUCKREINIGER   | BOMBA HIDROLIMPIADORA   | NERON HWB250            |
| 12   | 3225599 | PROLUNGA OLEODINAMICA RIDOTTA CILINDRICA L.25 MM SV 60°                  | HYDRAULIQUE AVEC REDUCTION CYLINDRIQUE L.25 MM SV 60°                   | CYL. REDUCED HYDRAULIC EXTENSION L.25 MM FL. 60°                            | HYDR.-VERLÄNGERUNG REDUZIERSTÜCK ZYLINDERFÖRMIG L.25 MM AUSGESENKT 60°          | PROLONGACIÓN OLEODINAMICA REDUCIDA CILINDRICA L.25 MM AV. 60°                           |                         |
| 13   | 3225805 | CURVA 90° 1/4" M. CONICO. M.CILINDRICO                                   | COUDE 90° 1/4" M. CONIQUE M. CYLINDRIQUE                                | 90° BEND 1/4" M.CONICAL. M.CYL.   | WINKELSTÜCK 90° 1/4" S. KONISCH S. ZYLINDERFÖRMIG                               | CURVA 90° 1/4" M. CÓNICO M. CILINDRICO  |                         |
| 14   | 3225959 | LEVA DISTRIBUTORE  | DISTRIBUTEUR  | DISTRIBUTOR LEVER   | HEBEL STEUERGERÄT   | PALANCA DISTRIBUIDOR  | MB L90 mm               |
| 15   | 3225601 | RIDUZIONE F. 1" F. 3/4" GHISA Z  | REDUCTION F. 1" F. 3/4" FONTE Z   | REDUCTION F. 1" F. 3/4" CAST IRON Z   | REDUZIERSTÜCK B. 1" B. 3/4" GUSSEISEN Z   | REDUCCIÓN H.1" H. 3/4" FUNDICIÓN Z  |                         |
| 16   | 3223722 | ATTACCO RAPIDO MASCHIO 1" OTTONE   | RACCORD RAPIDE MALE 1" LAITON   | MALE QUICK COUPLING 1" BRASS  | SCHNELLKUPPLUNG STECKER 1" MESSING  | CONEXIÓN RÁPIDA MACHO 1" LATÓN  |                         |
| 17   | 3223639 | FILTRO ACQUA PER ATTACCO RAPIDO  | FILTRE A EAU POUR RACCORD RAPIDE  | WATER FILTER FOR QUICK COUPLING   | WASSERFILTER FÜR SCHNELLKUPPLUNG  | FILTRO AGUA PARA CONEXIÓN RÁPIDA  |                         |
| 18   | 2224140 | ROSETTA  | RONDELLE  | WASHER  | UNTERLEGSCHLEIBE  | ARANDELA  | UNI 6503 8X18 Z         |
| 19   | 2224055 | ROSETTA GROWER   | RONDELLE GROWER (EVENTAIL)  | GROWER WASHER   | GROWER-SCHLEIBE   | ARANDELA GROWER   | 1751 D.6 Z              |
| 20   | 2222064 | VITE   | VIS   | SCREW   | SCHRAUBE  | TORNILLO  | TE M8X16 Z UNI 5739 8.8 |
| 21   | 3225470 | SUPPORTO POMPA   | SUPPORT DE POMPE  | PUMP SUPPORT  | PUMPENHALTERUNG   | SOPORTE BOMBA   |                         |

ImerParts.com  
888-634-4289  
An iBuy Stores Company



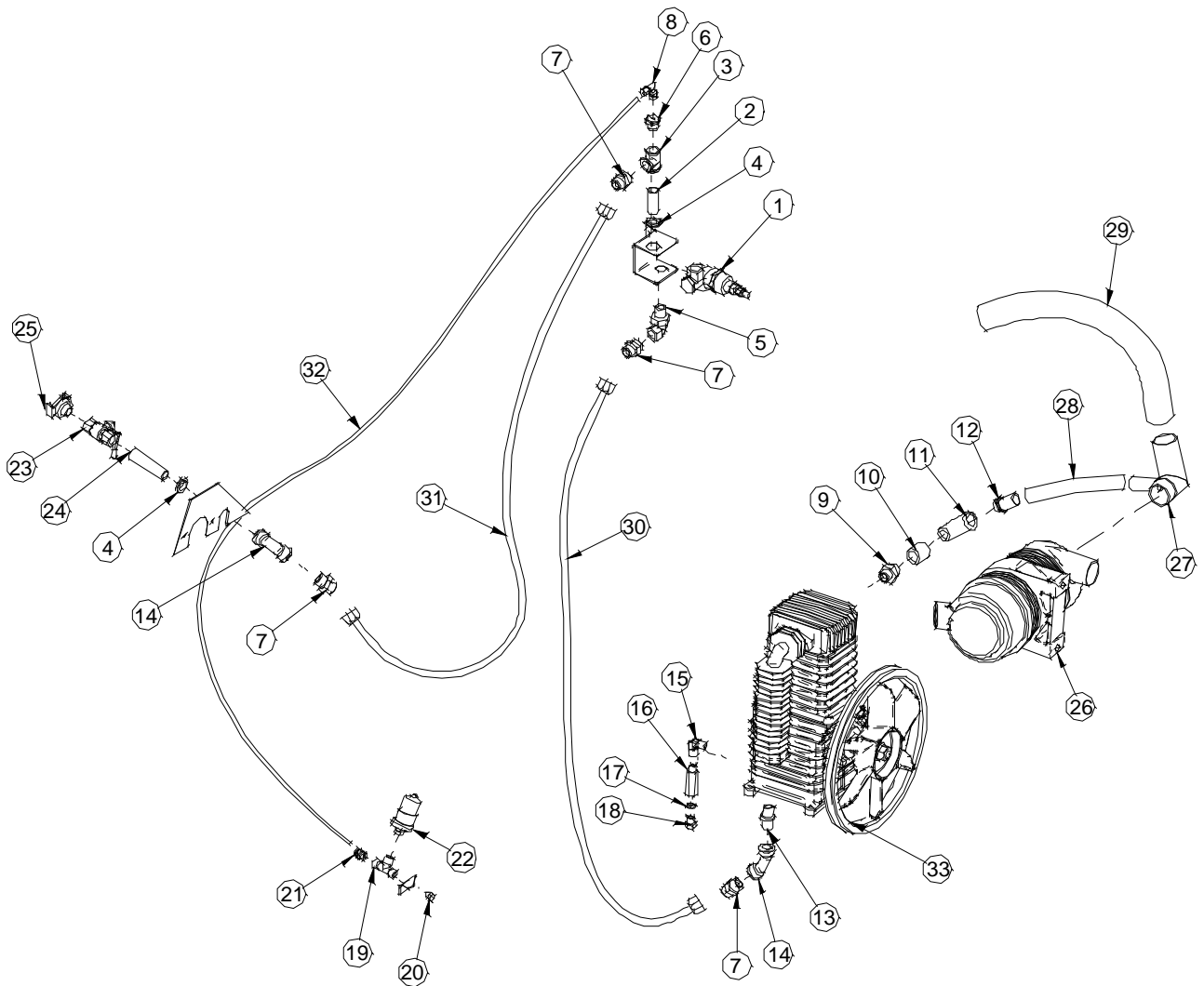
TAV. 10/B



**TAV. 10/B - IMPIANTO OLEODINAMICO SILENT 300 A - CIRCUIT HYDRAULIQUE SILENT 300 A - SILENT 300A HYDRAULIC SYSTEM - HYDRAULIKANLAGE SILENT 300 A - SISTEMA OLEODINÁMICO SILENT 300 A**

| Rif. | Cod.    | I  | F   | GB  | D   | E  | Note                    |
|------|---------|--|---|---|---|--|-------------------------|
| 1    | 3225655 | TUBO SAE 100 R2A 3/8" L. 1040 FP90 3/8" + FP 3/8"                        | TUYAU SAE 100 R2A 3/8" L. 1040 FP90 3/8" + FP 3/8"                      | PIPE SAE 100 R2A 3/8" L. 1040 FP90 3/8" + FP 3/8"                             | SCHLAUCH SAE 100 R2A 3/8" L. 1040 FP90 3/8" + FP 3/8"                           | TUBO SAE 100 R2A 3/8" L. 1040 FP90 3/8" + FP 3/8"                                      |                         |
| 2    | 3225656 | TUBO SAE 100 R1A 3/8" L.63 FP90 3/8" + FP 45 3/8" 90°                    | TUYAU SAE 100 R1A 3/8" L.63 FP90 3/8" + FP 45 3/8" 90°                  | PIPE SAE 100 R1A 3/8" L.63 FP90 3/8" + FP 45 3/8" 90°                         | SCHLAUCH SAE 100 R1A 3/8" L.63 FP90 3/8" + FP 45 3/8" 90°                       | TUBO SAE 100 R1A 3/8" L.63 FP90 3/8" + FP 45 3/8" 90°                                  |                         |
| 3    | 3225600 | MINIFLESSIBILE 2X5MM 600 BAR F 1/4" SEDE OGIVA + F1/4" SEDE PIANA L. 600 | MINIFLEXIBLE 2X5MM 600 BAR F 1/4" SIEGE OGIVE + F1/4" SIEGE PLAT L. 600 | MINI FLEXIBLE SHEATH 2X5MM 600 BAR F 1/4" OGIVE SEAT + F1/4" FLAT SEAT L. 600 | METALLSCHLAUCH 2X5MM 600 BAR F 1/4" DICHTKEGEL-SITZ + F1/4" FLACHER SITZ L. 600 | MINIFLEXIBLE 2X5MM 600 BARES F 1/4" ALOJAMIENTO OJIVA + F1/4" ALOJAMIENTO PLANO L. 600 |                         |
| 4    | 3224460 | DISTRIBUTORE   | DISTRIBUTEUR  | DISTRIBUTOR   | STEUERGERÄT   | DISTRIBUIDOR   | HYDROCONTROL HC-D2/1    |
| 5    | 3251846 | RONDELLA GM AUTOCENTRANTE 3/8"   | RONDELLE GM AUTOCENTRANTE 3/8"  | SELF-CENTERING WASHER GM 3/8"   | SELBSTZENTRIERENDE GM-UNTERLEGSCHLEIBE 3/8"                                     | ARANDELA GM AUTOCENTRANTE 3/8"   |                         |
| 6    | 3225153 | NIPLES OLEOD. CILINDR. 3/8" SV.60°                                       | NIPLES HYDR. CILINDR. 3/8" SV.60°                                       | CYL. HYDRAULIC NIPPLE 3/8" FL.60°   | NIPPEL HYDR. ZYLIN. 3/8" AUSGESENKT 60°   | NIPLE OLEOD. CILINDR. 3/8" AV. 60°   |                         |
| 7    | 1220140 | RONDELLA GM AUTOCENTRANTE 1/2"   | RONDELLE GM AUTOCENTRANTE 1/2"  | SELF-CENTERING WASHER GM 1/2"   | SELBSTZENTRIERENDE GM-UNTERLEGSCHLEIBE 1/2"                                     | ARANDELA GM AUTOCENTRANTE 1/2"   |                         |
| 8    | 3223625 | MANOMETRO GLIC. 0-10 BAR 1/4" CONICO D63 ATTACCO POSTERIORE              | MANOMETRE GLIC. 0-10 BAR 1/4" CONIQUE D63 RACCORD ARRIERE               | PRESSURE GAUGE GLYC. 0-10 BAR 1/4" CONICAL D63 REAR COUPLING                  | GLYZ.MANOMETER 0-10 BAR 1/4" KONISCH D63 HINT. ANSCHLUSS                        | MANÓMETRO GLIC. 0-10 BARES 1/4" CÓNICO D63 CONEXIÓN TRASERA                            |                         |
| 9    | 3224456 | POMPA A PISTONI  | POMPE A PISTONS   | PISTON PUMP   | KOLBENPUMPE   | BOMBA DE PISTONES  | HP HYDRAULIC M4PV21     |
| 10   | 3225154 | NIPLES OLEOD. RIDOTTO CILINDRICO 1/2" 3/8"                               | NIPLES HYDR. A FILETAGE CYLINDRIQUE REDUIT 1/2" 3/8"                    | CYL. REDUCED HYDRAULIC NIPPLE 1/2" 3/8"                                       | HYDR.-NIPPEL REDUZIERSTÜCK ZYLINDERFÖRMIG 1/2" 3/8"                             | NIPLE OLEOD. REDUCIDO CILINDRICO 1/2" 3/8"   |                         |
| 11   | 3224471 | POMPA IDROPULTRICE   | POMPE DE NETTOYEUR HP   | PRESSURE WATER CLEANER PUMP   | PUMPE HOCHDRUCKREINIGER   | BOMBA HIDROLIMPIADORA  | NERON HWB250            |
| 12   | 3225599 | PROLUNGA OLEODINAMICA RIDOTTA CILINDRICA L.25 MM SV 60°                  | RALLONGE HYDRAULIQUE RIDOTTA CILINDRICA L.25 MM SV 60°                  | CYL. REDUCED HYDRAULIC EXTENSION L.25 MM FL. 60°                              | HYDR.-VERLÄNGERUNG REDUZIERSTÜCK ZYLINDERFÖRMIG L.25 MM AUSGESENKT 60°          | PROLONGACIÓN OLEODINÁMICA REDUCIDA CILINDRICA L.25 MM AV. 60°                          |                         |
| 13   | 3225805 | CURVA 90° 1/4" M.CONICO. M.CILINDRICO                                    | COUDE 90° 1/4" M. CONIQUE M. CYLINDRIQUE                                | 90° BEND 1/4" M.CONICAL. M.CYL.   | WINKELSTÜCK 90° 1/4" S.KONISCH. S.ZYLINDERFÖRMIG                                | CURVA 90° 1/4" M. CÓNICO M. CILÍNDRICO   |                         |
| 14   | 3225959 | LEVA DISTRIBUTORE  | LEVIER DE DISTRIBUTEUR  | DISTRIBUTOR LEVER   | HEBEL STEUERGERÄT   | PALANCA DISTRIBUIDOR   | MB L90 mm               |
| 15   | 3225601 | RIDUZIONE F. 1" F. 3/4" GHISA Z  | REDUCTION F. 1" F. 3/4" FONTE Z   | REDUCTION F. 1" F. 3/4" CAST IRON Z   | REDUZIERSTÜCK B. 1" B. 3/4" GUSSEISEN Z   | REDUCCIÓN H.1" H. 3/4" FUNDICIÓN Z   |                         |
| 16   | 3223722 | ATTACCO RAPIDO MASCHIO 1" OTTONE   | RACCORD RAPIDE MALE 1" LAITON   | MALE QUICK COUPLING 1" BRASS  | SCHNELLKUPPLUNG STECKER 1" MESSING  | CONEXIÓN RÁPIDA MACHO 1" LATÓN   |                         |
| 17   | 3223639 | FILTRO ACQUA PER ATTACCO RAPIDO  | FILTRE A EAU POUR RACCORD RAPIDE  | WATER FILTER FOR QUICK COUPLING   | WASSERFILTER FÜR SCHNELLKUPPLUNG  | FILTRO AGUA PARA CONEXIÓN RÁPIDA   |                         |
| 18   | 2224140 | ROSETTA  | RONDELLE  | WASHER  | UNTERLEGSCHLEIBE  | ARANDELA   | UNI 6593 8X18 Z         |
| 19   | 2224055 | ROSETTA GROWER   | RONDELLE GROWER (EVENTAIL)  | GROWER WASHER   | GROWER-SCHLEIBE   | ARANDELA GROWER  | 1751 D.6 Z              |
| 20   | 2222064 | VITE   | VIS   | SCREW   | SCHRAUBE  | TORNILLO   | TE M8X16 Z UNI 5738 8.8 |
| 21   | 3225179 | SUPPORTO POMPA   | SUPPORT DE POMPE  | PUMP SUPPORT  | PUMPENHALTERUNG   | SOPORTE BOMBA  |                         |

ImerParts.com  
888-634-4289  
An iBuy Stores Company



ImerParts.com  
888-634-4289  
An iBuy Stores Company

TAV. 11

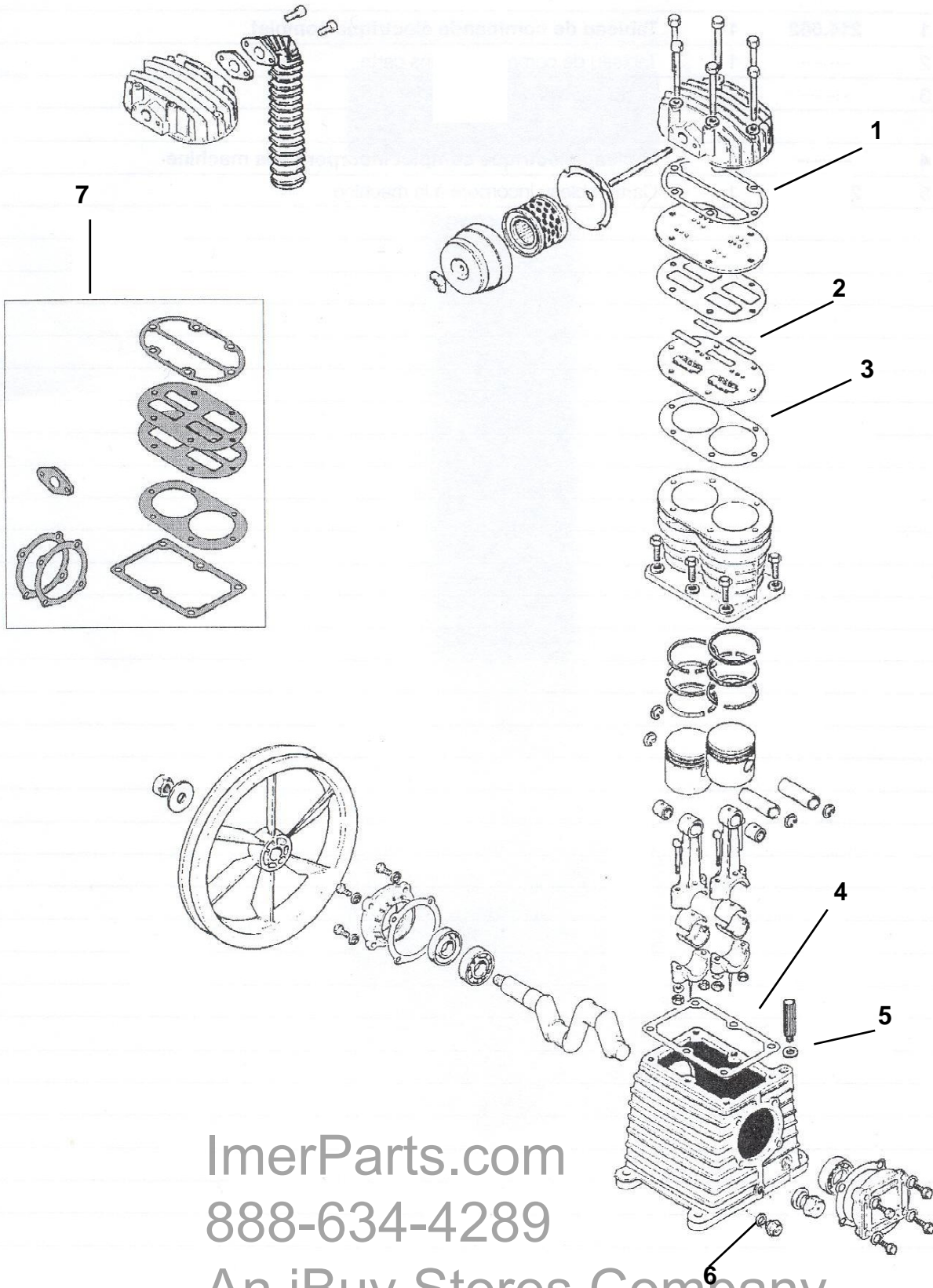


TAV. 11 - IMPIANTO ARIA - CIRCUIT D'AIR - AIR SYSTEM - DRUCKLUFTANLAGE - SISTEMA AIRE

| Rif. | Cod.    | I  | F  | GB  | D  | E  | Note                    |
|------|---------|--|--|---|--|--|-------------------------|
| 1    | 3225221 | DISGIUNTORE  | DISJONCTEUR  | PRESSURE RELEASE DEVICE                                   | TRENNSCHALTER  | DESCARGADOR DE PRESIÓN   |                         |
| 2    | 3223632 | TRONCHETO FILETTATO  | EMBOUT DE TUBE FILETE  | THREADED BRANCH   | GEWINDESTUTZEN   | VÁSTAGO ROSCADO  | 1/2" L=50mm OTONE       |
| 3    | 3223617 | RACCORDO   | RACCORD  | UNION   | ANSCHLUSS  | EMPALME  | "T" 1/2" F.F.F.         |
| 4    | 3223730 | GHIERA FLANGIATA NICHELATA                                     | FRETTE NICKEELE  | NICKEL-PLATED FLANGED RING NUTA                           | FLANSCHNUT VERNICKELT  | VIOLA EMBRIDADA NIQUELADA  | 1/2"                    |
| 5    | 3223637 | GOMITO 90° M.F. CON BOCC. SEDE CONICA 1/2"                     | COUDE 90° M.F. AVEC BAGUE SIEGE CONIQUE 1/2"                     | 90° ELBOW M.F. WITH BUSH. CONICAL SEAT 1/2"               | WINKELSTÜCK 90° S.B. MIT BUCHSE KONISCHER SITZ 1/2"                        | CODO 90° M.H. CON CASQUILLO ALOJAMIENTO CÓNICO 1/2"                |                         |
| 6    | 3223609 | RIDUZIONE  | REDUCTION  | REDUCTION   | REDUZIERSTÜCK  | REDUCCIÓN  | M.1/2" F.1/4" OTTONE    |
| 7    | 3225152 | NIPLES OLEODINAMICO CILINDRICO                                 | NIPLES HYDRAULIQUE CYLINDRIQUE                                   | CYL. HYDRAULIC NIPPLE                                     | NIPPEL HYDR. ZYLINDERFÖRMIG  | NIPLE OLEODINÁMICO CILÍNDRICO                                      | 1/2" SV. 60°            |
| 8    | 3225643 | RACC. ARIA A CALZAMENTO 90° 1/4" GIREVOLE PER TUBO D.8/6       | RACC. D'AIR A MONTAGE RAPIDE 90° 1/4" PIVOTANT POUR TUYAU D.8/6  | FITTED AIR CONNECTION 90° 1/4" SWIVEL FOR PIPE D.8/6      | STECKANSCHLUSS DRUCKLUFT 90° 1/4" DREHBAR FÜR SCHLAUCH D.8/6               | EMPALME AIRE DE CONEXIÓN RÁPIDA 90° 1/4" GIRATORIO PARA TUBO D.8/6 |                         |
| 9    | 3225605 | NIPLES RIDOTTO CIL. 3/4"-1/2" CONICO GHISA Z                   | NIPLES REDUIT CYL. 3/4"-1/2" CONIQUE FONTE Z                     | CYL. REDUCED NIPPLE 3/4"-1/2" CONICAL CAST IRON Z         | NIPPEL REDUZIERSTÜCK ZYL., 3/4"-1/2" KONISCH GUSSEISEN Z                   | NIPLE REDUCIDO CIL. 3/4"-1/2" CÓNICO FUNDICIÓN Z                   |                         |
| 10   | 3225963 | MANICOTTO 3/4" F. GHISA Z                                      | MANCHON 3/4" F. FONTE Z  | SLEEVE 3/4" F. CAST IRON Z                                | MUFFE 3/4" B. GUSSEISEN Z  | MANGUITO 3/4" H. FUNDICIÓN Z                                       |                         |
| 11   | 3225608 | GOMITO 90° 3/4" M.F. CONICO GHISA Z                            | COUDE 90° 3/4" M.F. CONIQUE FONTE Z                              | 90° ELBOW 3/4" M.F. CONICAL CAST IRON Z                   | WINKELSTÜCK 90° 3/4" S.B. KONISCH GUSSEISEN Z                              | CODO 90° 3/4" M.H. CÓNICO FUNDICIÓN Z                              |                         |
| 12   | 3225609 | PORTAGOMMA   | EMBOUT DE TUYAU  | HOSE UNION  | SCHLAUCHHALTER   | PORTAGOMA  | 3/4" M.X25              |
| 13   | 3224362 | NIPLES   | NIPLES   | NIPPLE  | NIPPEL   | NIPLE  | 1/2"                    |
| 14   | 3224205 | CURVA AMPIO RAGGIO   | COUDE GRAND RAYON  | WIDE RADIUS BEND  | GROSSE KÜRVE   | CURVA AMPLIO RADIO   | 45° 1/2" F.F.           |
| 15   | 3225615 | RACC. ARIA 90° STANDARD 1/4" M.F. CONICO                       | RACC. D'AIR 90° STANDARD 1/4" M.F. CONIQUE                       | STANDARD AIR CONNECTION 90° 1/4" M.F. CONICAL             | DRUCKLUFTANSCHL. 90° STANDARD 1/4" S.B. KONISCH                            | EMP. AIREA 90° ESTÁNDAR 1/4" M.H. CÓNICO                           |                         |
| 16   | 3225628 | PROLUNGA OLEOD.  | RALLONGE HYDR.   | HYDRAULIC EXTENSION                                       | VERLÄNGERUNG HYDRAULIK   | PROLONGACIÓN OLEOD.  | 1/4" M.F. SV 60° L.50mm |
| 17   | 3251845 | RONDELLA GM AUTOCENTRANTE                                      | RONDELLE GM AUTOCENTRANTE  | SELF-CENTERING WASHER GM                                  | SELBSTZENTRIERENDE GM-UNTERLEGSCHLEIBE                                     | ARANDELA GM AUTOCENTRANTE  | 1/4"                    |
| 18   | 3225160 | TAPPO ESAGONALE OLEOD.   | BOUCHON HEXAGONAL HYDR.  | HYDRAULIC HEX. PLUG                                       | SECHSKANT-VERSCHLUSSSCHRAUBE HYDRAULIK                                     | TAPÓN HEXAGONAL OLEOD.   | 1/4" SV. 60°            |
| 19   | 3224968 | RACC. ARIA "T" STANDARD  | RACC. AIR "T" STANDARD   | STANDARD "T" AIR CONNECTION                               | DRUCKLUFTANSCHL. „T“ STANDARD  | EMP. AIRE "T" ESTÁNDAR   | 1/4" F.F.F.             |
| 20   | 3224967 | TAPPO 1/4" M. CIL. OTTONE CROMATO                              | BOUCHON 1/4" M. CYL. LAITON CHROME                               | PLUG 1/4" M. CYL. CHROMED BRASS                           | VERSCHLUSS 1/4" S. ZYL. MESSING VERCHROMT                                  | TAPÓN 1/4" M. CIL. LATÓN CROMADO                                   |                         |
| 21   | 3224359 | RACC. ARIA DIRITTO INNESTO RAPIDO 1/4" M. CONICO PER TUBO 8/6" | RACC. D'AIR DROIT RACCORD RAPIDE 1/4" M. CONIQUE POUR TUYAU 8/6" | AIR STRAIGHT QUICK COUPLING 1/4" M. CONICAL FOR PIPE 8/6" | DRUCKLUFTANSCHL. GERADE SCHNELLANSCHLUSS 1/4" S. KONISCH FÜR SCHLAUCH 8/6" | EMP. AIRE RECTO CONEXIÓN RÁPIDA 1/4" M. CÓNICO PARA TUBO 8/6"      |                         |
| 22   | 3223630 | PRESSOSTATO GP600 1/4" CILINDRICO 1-5 BAR                      | PRESSOSTAT GP600 1/4" CYLINDRIQUE 1-5 BAR                        | PRESSURE SWITCH GP600 1/4" CYLINDRICAL 1-5 BAR            | DRUCKWÄCHTER GP600 1/4" ZYLINDERFÖRMIG 1-5 BAR                             | PRESOSTATO GP600 1/4" CILÍNDRICO 1-5 BARES                         |                         |
| 23   | 3224202 | VALVOLA SFERA 1/2" F.F. CIM 12                                 | BOISSEAU SPHERIQUE 1/2" F.F. CIM 12                              | BALL VALVE 1/2" F.F. CIM 12                               | KUGELVENTIL 1/2" B.B. CIM 12   | VÁLVULA ESFERA 1/2" H.H. CIM 12                                    |                         |
| 24   | 3223957 | TRONCHETTO FILETTATO   | EMBOUT DE TUBE FILETE  | THREADED BRANCH   | GEWINDESTUTZEN   | VÁSTAGO ROSCADO  | M. 1/2" L.85mm OTTONE   |
| 25   | 3224203 | ATTACCO RAPIDO   | RACCORD RAPIDE   | QUICK COUPLING  | SCHNELLANSCHLUSS   | CONEXIÓN RÁPIDA  | 1/2" M.                 |
| 26   | 1235970 | FILTRO ARIA  | FILTRE A AIR   | AIR FILTER  | LUFTFILTER   | FILTRO AIRE  | DONALD FP G05 7502      |
| 27   | 3225317 | COLLETTORE FILTRO ARIA   | COLLECTEUR FILTRE A AIR  | AIR FILTER MANIFOLD                                       | KRÜMMER LUFTFILTER   | COLECTOR FILTRO AIRE   |                         |
| 28   | 3225680 | TUBO ASPIRAZIONE COMPRESSORE DI=25                             | TUYAU D'ASPIRATION COMPRESSEUR DI=25                             | COMPRESSOR SUCTION PIPE INT DIAM=25                       | ANSAUGSCHLAUCH KOMPRESSOR I-Ø=25   | TUBO ASPIRACIÓN COMPRESOR DI=25                                    | L.110mm                 |
| 29   | 3225679 | TUBO ASPIRAZIONE MOTORE DIESEL DI=51                           | TUYAU D'ASPIRATION MOTEUR DIESEL DI=51                           | DIESEL ENGINE SUCTION PIPE INT DIAM=51                    | ANSAUGSCHLAUCH DIESELMOTOR I-Ø=51  | TUBO ASPIRACIÓN MOTOR DIESEL DI=51                                 | L.330mm                 |
| 30   | 3225683 | TUBO ARIA FD 1/2"  | TUYAU D'AIR FD 1/2"  | AIR HOSE FD 1/2"  | LUFTSCHLAUCH FD 1/2"   | TUBO AIRE FD 1/2"  | L.1000mm                |
| 31   | 325684  | TUBO ARIA FD 1/2"  | TUYAU D'AIR FD 1/2"  | AIR HOSE FD 1/2"  | LUFTSCHLAUCH FD 1/2"   | TUBO AIRE FD 1/2"  | L.1450mm                |
| 32   | 3225697 | TUBO ARIA FORAFLOD D.=8/6"                                     | TUYAU D'AIR FORAFLOD D.=8/6"                                     | FORAFLOD AIR HOSE D.=8/6"                                 | LUFTSCHLAUCH FORAFLOD D.=8/6"  | TUBO AIRE FORAFLOD D.=8/6"   | L.1200mm                |
| 33   | 3224466 | COMPRESSORE  | COMPRESSEUR  | COMPRESSOR  | KOMPRESSOR   | COMPRESOR  | K18/B VA 320 DX C/C S/F |

ImerParts.com  
888-634-4289  
An iBuy Stores Company





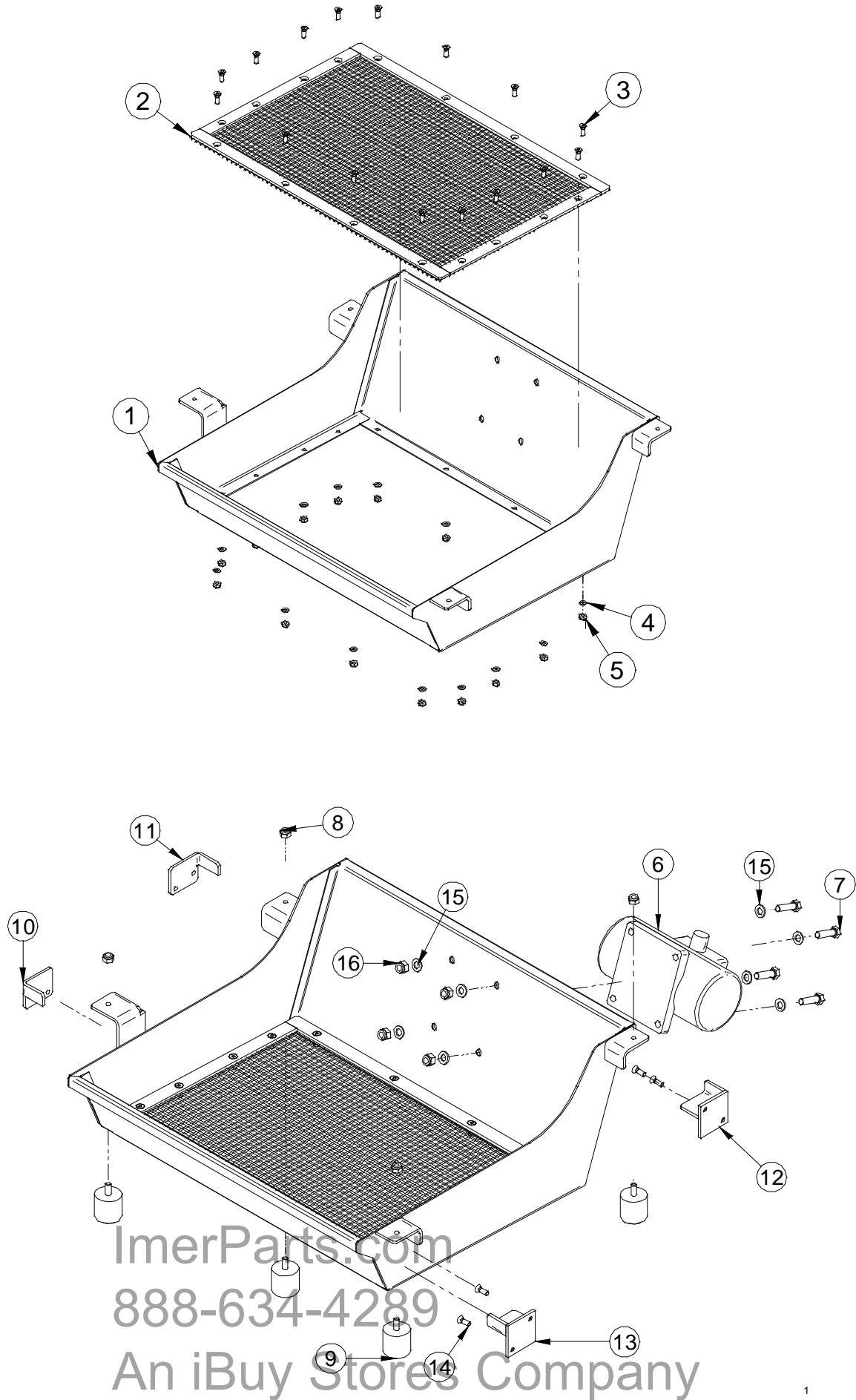
ImerParts.com  
888-634-4289  
An iBuy Stores Company **TAV. 12**



TAV. 12 - COMPRESSORE NERON HWB250 - COMPRESSEUR NERON HWB250 - NERON HWB250 COMPRESSOR - KOMPRESSOR NERON HWB250 - COMPRESOR  
NERON HWB250

| Rif. | Cod.    | I               | F             | GB         | D                  | E          | Note |
|------|---------|-----------------|---------------|------------|--------------------|------------|------|
| 1    | 3225903 | GUARNIZIONE     | JOINT         | GASKET     | DICHTUNG           | JUNTA      |      |
| 2    | 3225904 | LAMELLE         | LAMELLES      | BLADES     | LAMELLEN           | LÁMINAS    |      |
| 3    | 3225905 | GUARNIZIONE     | JOINT         | GASKET     | DICHTUNG           | JUNTA      |      |
| 4    | 3225906 | GUARNIZIONE     | JOINT         | GASKET     | DICHTUNG           | JUNTA      |      |
| 5    | 3225907 | GUARNIZIONE     | JOINT         | GASKET     | DICHTUNG           | JUNTA      |      |
| 6    | 3225908 | GUARNIZIONE     | JOINT         | GASKET     | DICHTUNG           | JUNTA      |      |
| 7    | 3225909 | KIT GUARNIZIONI | JEU DE JOINTS | GASKET KIT | BAUSATZ DICHTUNGEN | KIT JUNTAS |      |

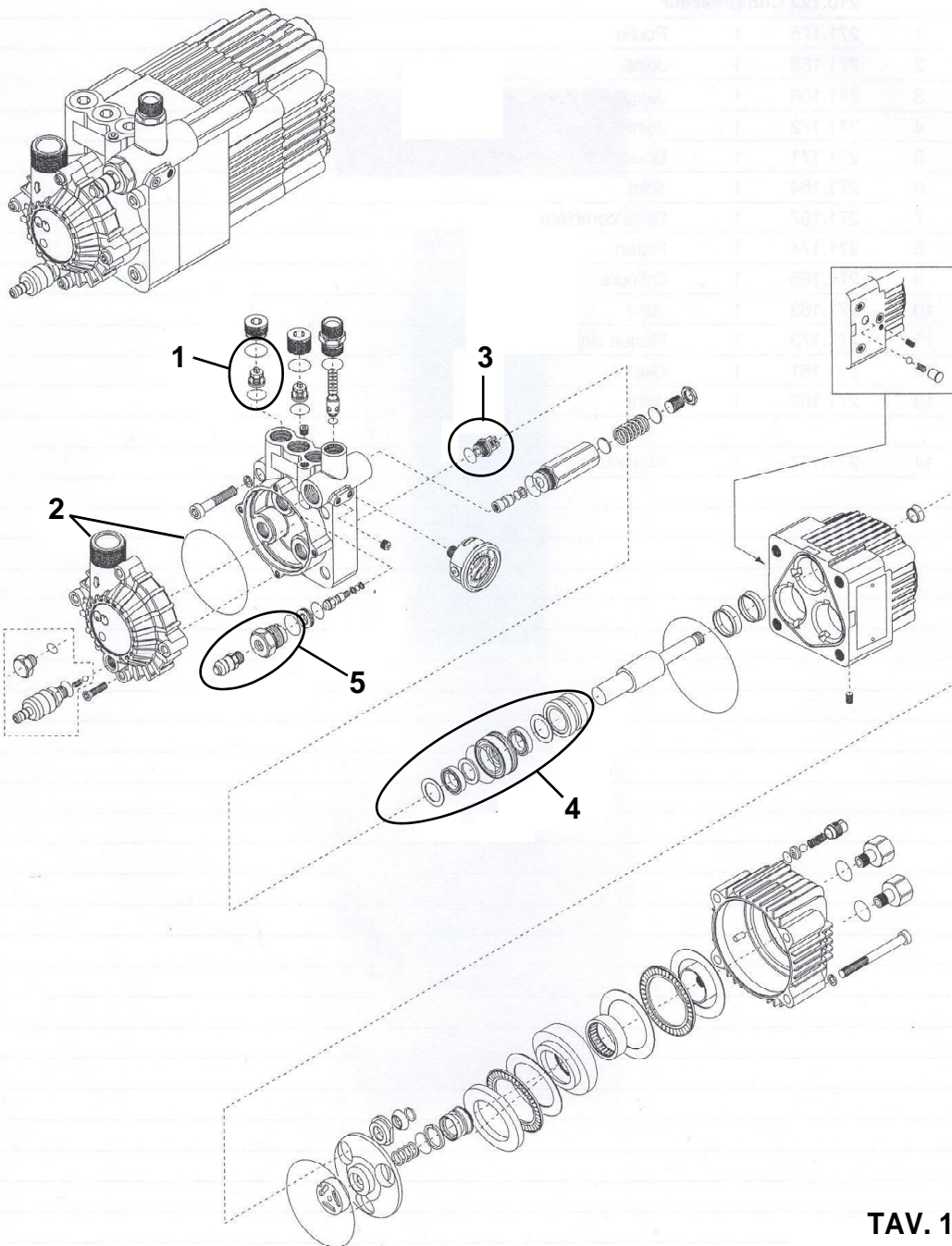
ImerParts.com  
888-634-4289  
An iBuy Stores Company





| TAV. 13 - VIBROVAGLIO SILENT 300 - CRIBLE VIBRANT SILENT 300 - SILENT 300 VIBRATING SCREEN - RÜTTELSIEB SILENT 300 - TAMIZ VIBRATORIO SILENT 300 |         |                                |                            |                              |                               |                             |                             |
|--|---------|--------------------------------|----------------------------|------------------------------|-------------------------------|-----------------------------|-----------------------------|
| Rif.   | Cod.    | I                              | F                          | GB                           | D                             | E                           | Note                        |
| 1  | 3225864 | VAGLIO<br>VERNICIATOSILENT 300 | CRIBLE<br>PEINT SILENT 300 | SILENT 300 PAINTED<br>SCREEN | LACKIERTES SIEB<br>SILENT 300 | TAMIZ PINTADO SILENT<br>300 |                             |
| 2  | 3225806 | TELAIO CON RETE                | CHASSIS AVEC GRILLE        | FRAME WITH MESH              | RAHMEN MIT NETZ               | BASTIDOR CON RED            |                             |
| 3  | 3201339 | VITE                           | VIS                        | SCREW                        | SCHRAUBE                      | TORNILLO                    | TSPEI 8.8 5933<br>M8X25 Z   |
| 4  | 1224083 | ROSETTA PIANA                  | RONDELLE PLATE             | PLAIN WASHER                 | FLACHE<br>UNTERLEGSCHNEIBE    | ARANDELA PLANA              | UNI 6592 D.8 Z              |
| 5  | 3210623 | DADO CLASSE 8                  | ECROU CLASSE 8             | NUT CLASS 8                  | MUTTER KLASSE 8               | TUERCA CLASE 8              | DIN 985 M8                  |
| 6  | 3225829 | MOTOVIBRATORE                  | MOTOVIBRATEUR              | MOTOR VIBRATOR               | VIBRATIONSMOTOR               | MOTOVIBRADOR                | MVCC 3/200 V.16             |
| 7  | 2222050 | VITE                           | VIS                        | SCREW                        | SCHRAUBE                      | TORNILLO                    | TE M12X45 Z<br>UNI 5739 8.8 |
| 8  | 2223920 | DADO<br>AUTOBLOCCANTE          | ECROU<br>AUTOBLOQUANT      | SELF-LOCKING NUT             | SELBSTSICHERNDE<br>MUTTER     | TUERCA<br>AUTOBLOQUEANTE    | M10 Z 7474                  |
| 9  | 3225826 | ANTIVIBRANTE                   | SUPPORT<br>ANTIVIBRATILE   | VIBRATION DAMPER             | SCHWINGUNGS-<br>DÄMPFER       | ANTIVIBRADOR                | D50 H50 M10X23              |
| 10   | 3225867 | STAFFA POSTERIORE<br>DX        | ETRIER ARRIERE<br>DROIT    | RH REAR BRACKET              | HINTERER BÜGEL RE             | SOPORTE TRASERO<br>DER.     |                             |
| 11   | 3225866 | STAFFA ANTERIORE<br>DX         | ETRIER AVANT<br>GAUCHE     | RH FRONT BRACKET             | HINTERER BÜGEL RE             | SOPORTE DELANTERO<br>DER.   |                             |
| 12   | 3225868 | STAFFA ANTERIORE<br>SX         | ETRIER AVANT<br>GAUCHE     | LH FRONT BRACKET             | VORDERER BÜGEL LI             | SOPORTE DELANTERO<br>IZQ.   |                             |
| 13   | 3225869 | STAFFA POSTERIORE<br>DX        | ETRIER ARRIERE<br>DROIT    | RH REAR BRACKET              | HINTERER BÜGEL RE             | SOPORTE TRASERO<br>DER.     |                             |
| 14   | 3201339 | VITE                           | VIS                        | SCREW                        | SCHRAUBE                      | TORNILLO                    | TSPEI 8.8 5933<br>M8X25 Z   |
| 15   | 3211038 | ROSETTA                        | RONDELLE                   | WASHER                       | UNTERLEGSCHNEIBE              | ARANDELA                    | UNI 6592 M12                |
| 16   | 2223921 | DADO<br>AUTOBLOCCANTE          | ECROU<br>AUTOBLOQUANT      | SELF-LOCKING NUT             | SELBSTSICHERNDE<br>MUTTER     | TUERCA<br>AUTOBLOQUEANTE    | M12 Z 7474                  |

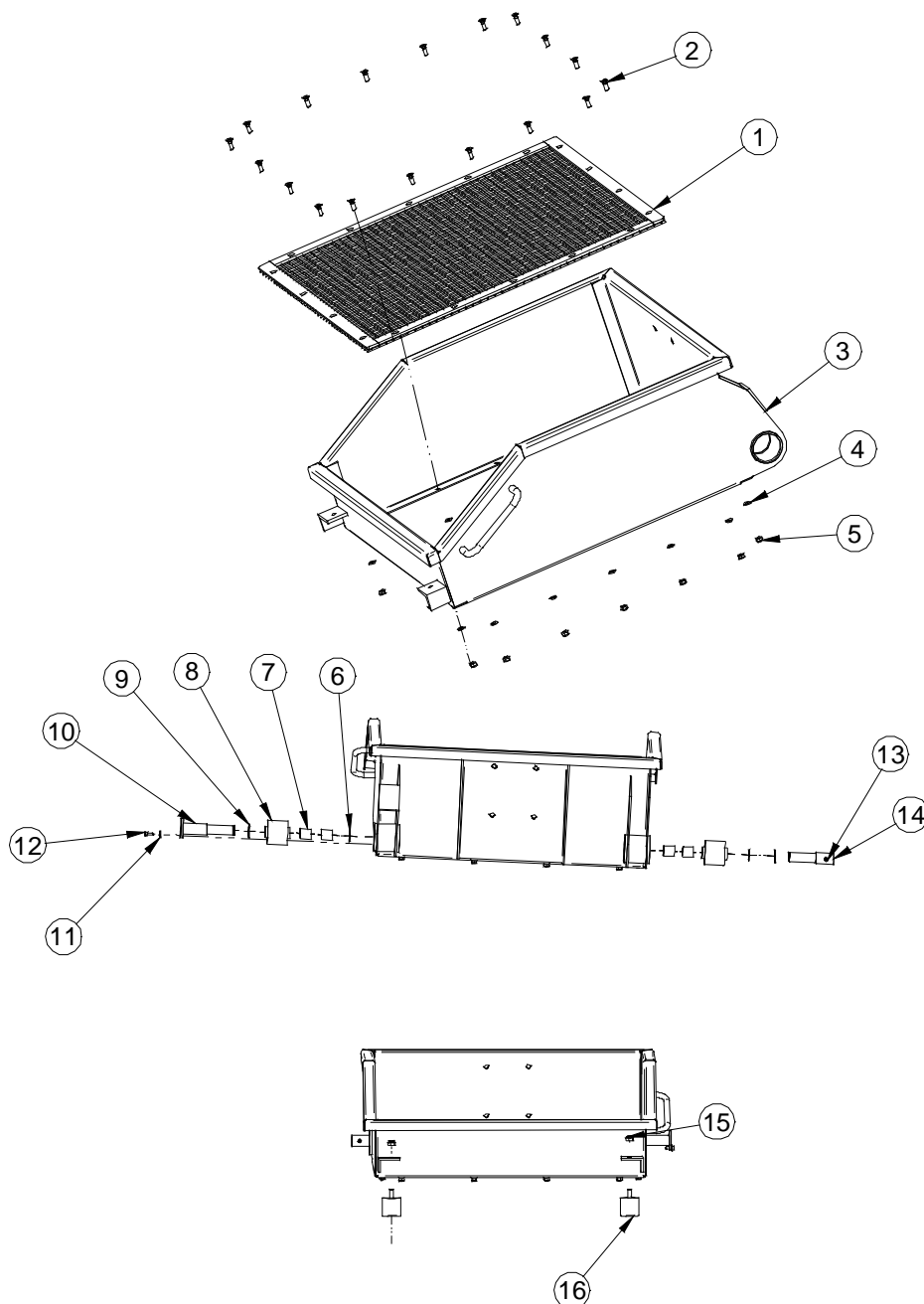
ImerParts.com  
888-634-4289  
An iBuy Stores Company



**TAV. 14**

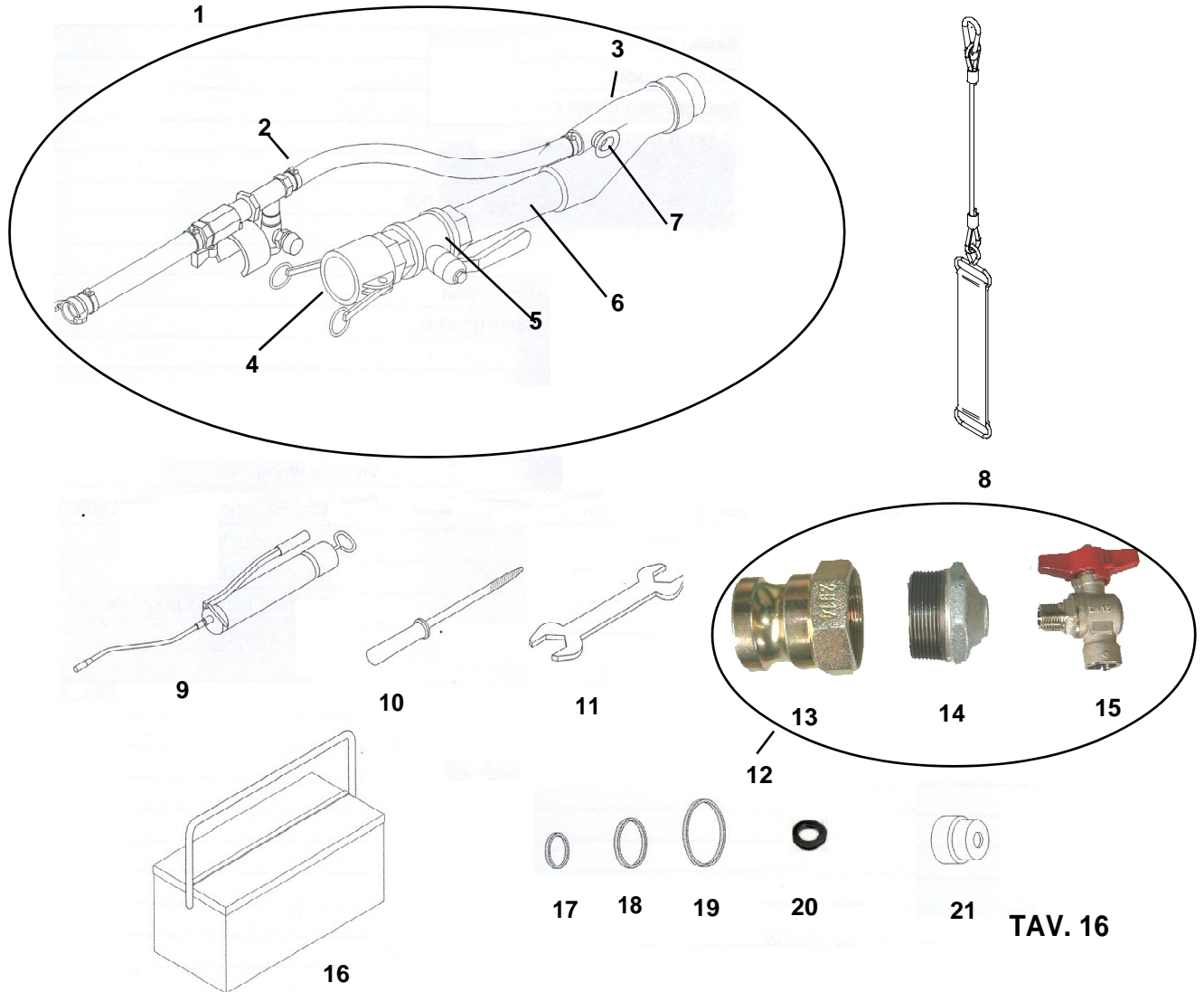
**TAV. 11 - IMPIANTO ARIA - SYSTEME D'AIR - AIR SYSTEM - DRUCKLUFTANLAGE - SISTEMA AIRE**

| Rif. | Cod.    | I   | F  | GB                                 | D                                     | E   | Note |
|------|---------|---|--|------------------------------------|---------------------------------------|---|------|
| 1    | 3225348 | KIT VALVOLA DI MANDATA N°3 PZ PER PARTICOLARE       | KIT SOUPAPE OU VALVE DE REFOULEMENT COMPOSITION 3 PCES     | DELIVERY VALVE KIT 3 PC FOR PART   | BAUSATZ 3 DRUCKVENTILE FÜR BAUTEIL    | KIT VÁLVULA DE IMPULSIÓN 3 PIEZAS POR ELEMENTO    |      |
| 2    | 3225353 | KIT COPERCHIO ASPIRAZIONE N°1 PZ PER PARTICOLARE    | KIT COUVERCLE D'ASPIRATION COMPOSITION 1 PCE               | SUCTION COVER KIT 1 PC FOR PART    | BAUSATZ 1 SAUGDECKEL FÜR BAUTEIL      | KIT TAPA ASPIRACIÓN UNA PIEZA POR ELEMENTO        |      |
| 3    | 3225349 | KIT VALVOLA DI ASPIRAZIONE N°3 PZ PER PARTICOLARE   | KIT SOUPAPE D'ASPIRATION COMPOSITION 3 PCES                | INTAKE VALVE KIT 3 PC FOR PART     | BAUSATZ 3 ANSAUGVENTILE FÜR BAUTEIL   | KIT VÁLVULA DE ASPIRACIÓN 3 PIEZAS POR ELEMENTO   |      |
| 4    | 3225351 | KIT BOCCOLE DI TENUTA N°3 PZ PER PARTICOLARE        | KIT BAGUES D'ETANCHEITE COMPOSITION 3 PCES                 | SEAL BUSHINGS KIT 3 PC FOR PART    | BAUSATZ 3 DICHTBUCHSEN FÜR BAUTEIL    | KIT CASQUILLOS DE RETENCIÓN 3 PIEZAS POR ELEMENTO |      |
| 5    | 3225350 | KIT COPERCHIO ASPIRAZIONE+OR N°1 PZ PER PARTICOLARE | KIT COUVERCLE D'ASPIRATION+JOINT TORIQUE COMPOSITION 1 PCE | SUCTION COVER KIT+OR 1 PC FOR PART | BAUSATZ 1 ANSAUGDECKEL+OR FÜR BAUTEIL | KIT TAPA ASPIRACIÓN+OR UNA PIEZA POR ELEMENTO     |      |



**TAV. 15**

| TAV. 15 - VAGLIO SILENT 300A - CRIBILE SILENT 300A - SILENT 300A SCREEN - SIEB SILENT 300° - TAMIZ SILENT 300° |         |                                   |                                  |                                     |                                 |                                     |   |
|--|---------|-----------------------------------|----------------------------------|-------------------------------------|---------------------------------|-------------------------------------|---|
| Rif.   | Cod.    | I                                 | F                                | GB                                  | D                               | E                                   | Note  |
| 1  | 3225806 | TELAIO CON RETE                   | CHASSIS AVEC GRILLE              | FRAME WITH MESH                     | RAHMEN MIT NETZ                 | BASTIDOR CON RED                    |   |
| 2  | 3201339 | VITE                              | VIS                              | SCREW                               | SCHRAUBE                        | TORNILLO                            | TSPEI 8.8 5933 M8X25 Z                          |
| 3  | 3225807 | VIBROVAGLIO SILENT300A VERNICIATO | CRIBILE VIBRANT SILENT300A PEINT | SILENT300A PAINTED VIBRATING SCREEN | RÜTTELSIEB SILENT 300A LACKIERT | TAMIZ VIBRATORIO SILENT300A PINTADO |   |
| 4  | 1224083 | ROSETTA PIANA                     | RONDELLE PLATE                   | PLAIN WASHER                        | FLACHE UNTERLEGSCHIBE           | ARANDELA PLANA                      | UNI 6592 D8 Z                                   |
| 5  | 3210623 | DADO                              | ECROU                            | NUT                                 | MUTTER                          | TUERCA                              | DIN 985 M8 CLASSE 8                             |
| 6  | 2227280 | ANELLO ARRESTO                    | BAGUE OU ANNEAU D'ARRET          | STOP COLLAR                         | SPERRRING                       | ANILLO DE TOPE                      | 7435 E/25                                       |
| 7  | 3225821 | BOCCOLA                           | BAGUE ou DOUILLE                 | BUSHING                             | BUCHSE                          | CASQUILLO                           | GUS WSM-2528-30                                 |
| 8  | 3225820 | BOCCOLA                           | BAGUE ou DOUILLE                 | BUSHING                             | BUCHSE                          | CASQUILLO                           | FIBET FBNA 2866.5569                            |
| 9  | 2224531 | ROSETTA                           | RONDELLE                         | WASHER                              | UNTERLEGSCHIBE                  | ARANDELA                            | 6593 DIAM. 6X18 Z                               |
| 10   | 3225818 | PERNO ANTERIORE VIBROVAGLIO       | AXE AVANT DE CRIBLE VIBRANT      | VIBRATING SCREEN FRONT PIN          | VORDERER BOLZEN RÜTTELSIEB      | PERNO DELANTERO TAMIZ VIBRADOR      |   |
| 11   | 2224531 | RONDELLA                          | RONDELLE                         | WASHER                              | UNTERLEGSCHIBE                  | ARANDELA                            | UNI 6593 DN6 DE18 S2 Z                          |
| 12   | 2222539 | VITE A TESTA TONDA                | VIS TETE RONDE                   | ROUNDHEAD SCREW                     | RUNDKOPFSCHRAUBE                | TORNILLO DE CABEZA REDONDA          | M6X16 UNI 5931 CLASSE 8.8 ZINC. GIALLA UNI 4721 |
| 13   | 3228600 | SPINA ELASTICA                    | GOUILLE ELASTIQUE                | SPLIT PIN                           | SPANNSTIFT                      | GLAVUJA ELASTICA                    | UNI 6874 8X45                                   |
| 14   | 3225819 | PERNO POSTERIORE VIBROVAGLIO      | AXE ARRIERE DE CRIBLE VIBRANT    | VIBRATING SCREEN REAR PIN           | HINTERER BOLZEN RÜTTELSIEB      | PERNO TRASERO TAMIZ VIBRADOR        |   |
| 15   | 2223920 | DADO AUTOBLOCCANTE                | ECROU AUTOBLOQUANT               | SELF-LOCKING NUT                    | SELBSTSICHERNDE MUTTER          | TUERCA AUTOBLOQUEANTE               | M10 7474  |
| 16   | 3225826 | ANTIVIBRANTE                      | SUPPORT ANTIVIBRATILE            | VIBRATION DAMPER                    | SCHWINGUNGS-DÄMPFER             | ANTIVIBRADOR                        | D50 H50 M10X23                                  |



**TAV. 16**

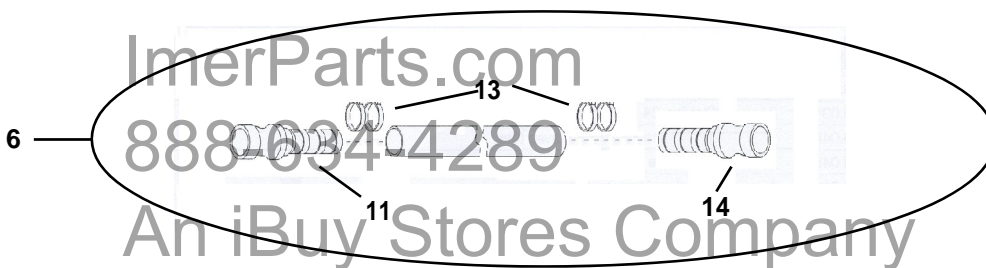
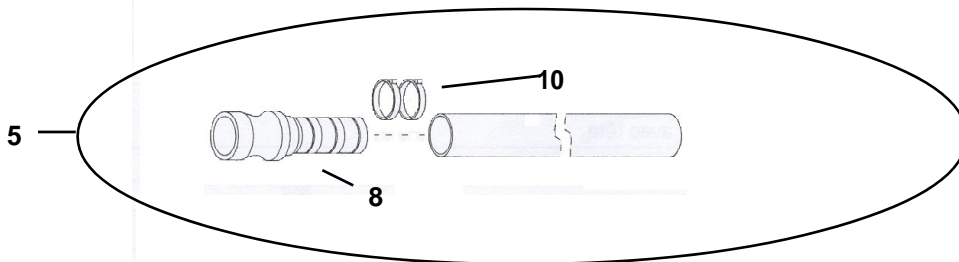
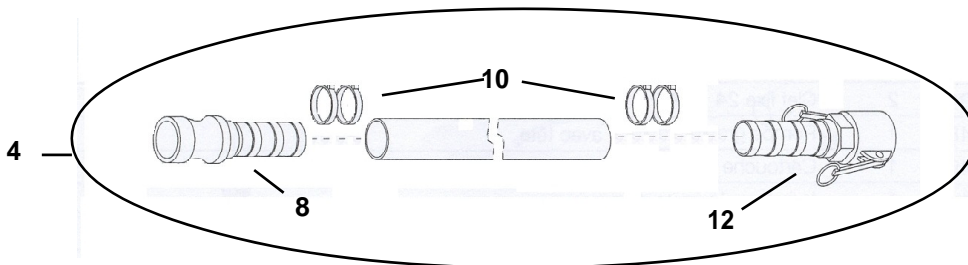
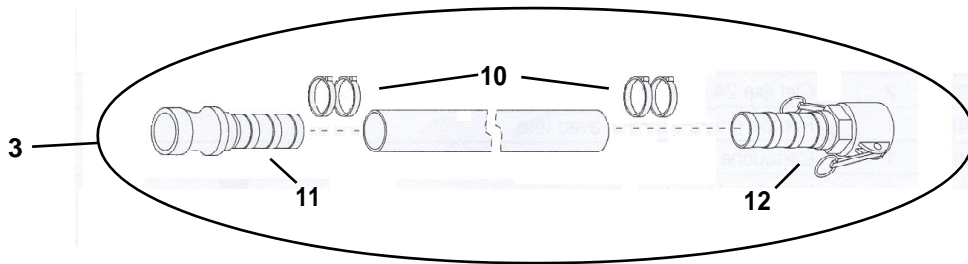
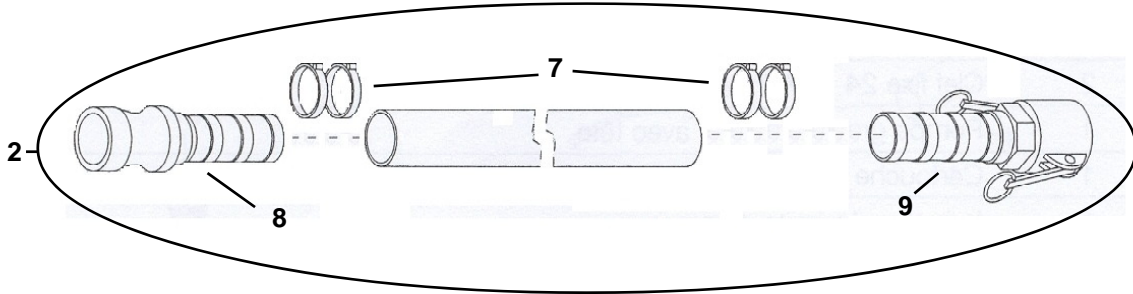
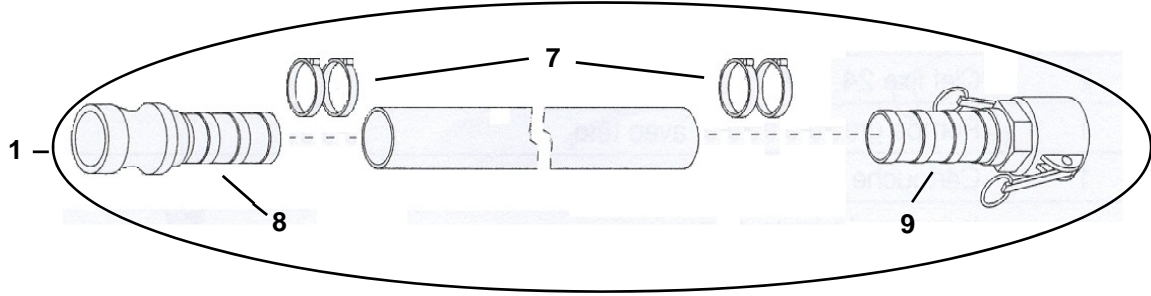
| TAV. 16 - RICAMBI VARI - PIECES DETACHEES DIVERSES - VARIOUS SPARE PARTS - ERSATZTEILE - RECAMBIOS VARIOS |         |                                      |  |                                      |   |   |                                 |
|---|---------|--------------------------------------|--|--------------------------------------|---|---|---------------------------------|
| Rif.  | Cod.    | I                                    | F  | GB                                   | D                                       | E   | Note                            |
| 1   | 3225840 | LANCIA SPRUZZATRICE SILENT 300       | LANCE DE PROJECTION SILENT 300             | SILENT 300 SPRAYER                   | SPRITZGERÄT SILENT 300                  | LANZA ROCIADORA SILENT 300  | SILENT 300                      |
| 2   | 3225832 | TUBO ARIA COMPLETO PER LANCIA        | TUYAU D'AIR COMPLET POUR LANCE             | COMPLETE AIR HOSE FOR SPRAYER        | LUFTSCHLAUCH KOMPLETT FÜR SPRITZGERÄT   | MANGUERA AIRE COMPLETA PARA LANZA                                 |                                 |
| 3   | 3223345 | TESTA PER LANCIA SPRUZZATRICE        | TÊTE DE LANCE DE PROJECTION                | SPRAYER HEAD                         | KOPF FÜR SPRITZGERÄT                    | CABEZAL PARA LANZA ROCIADORA                                      |                                 |
| 4   | 3224701 | ATTACCO A CAMME                      | RACCORD EXCENTRIQUE                        | CAM-LOCK COUPLING                    | NOCKENANSCHLUSS                         | RACOR TIPO CAMLOCK  | DN25 F 1" G F PLAST.            |
| 5   | 3225833 | VALVOLA A SFERA                      | VANNE A BOISSEAU SPHERIQUE                 | CAM-LOCK COUPLING                    | KUGELVENTIL                             | VÁLVULA DE BOLA   | CIM201 ISO 7RC SERIE T10        |
| 6   | 3224895 | TRONCHETTO FILETTATO                 | EMBOUT DE TUBE FILETE                      | THREADED BRANCH                      | GEWINDESTUTZEN                          | TRONCO ROSCADO  | "M.L.100mm GAS CONICO           |
| 7   | 3209356 | GOLFARE                              | ANNEAU DE LEVAGE                           | EYEBOLT                              | HÜBÖSE                                  | ARMELLA   | MAS.M10 L=18 DIN580             |
| 8   | 3223933 | FASCIA REGGITUBO                     | COLLIER SERRE-TUBE                         | PIPE HOLDER BAND                     | SCHLAUCHSCHELLE                         | ABRAZADERA MANGUERA   |                                 |
| 9   | 3224858 | POMPA GRASSO COMP. DI TUBO E TESTINA | POMPE A GRAISSE FOURNIE AVEC TUYAU ET TÊTE | GREASE PUMP COMP. WITH PIPE AND HEAD | FETTIPUMPE KOMPL. MIT SCHLAUCH UND KOPF | BOMBA GRASA COMP. CON TUBO Y CABEZAL                              |                                 |
| 10  | 3223694 | PULITORE UGELLO                      | NETTOYEUR DE BUSE                          | NOZZLE CLEANER                       | DÜSENREINIGER                           | LIMPIADOR BOQUILLA  | SILENT 300 D4.5                 |
| 11  | 3223701 | CHIAVE FOR.DOP.                      | CLE A FOURCHE DOUBLE                       | DOUBLE-ENDED WRENCH                  | SCHLÜSSEL FOR.DOP.                      | LLAVE FOR. DOP.   | 19X24*2410                      |
| 12  | 3225836 | GRUPPO TARATURA PRESSIONE SILENT 300 | GROUPE DE TARAGE PRESSION SILENT 300       | SILENT 300 PRESSURE CALIBRATION UNIT | BAUGRUPPE DRUCKEICHUNG SILENT 300       | UNIDAD REGULACIÓN PRESIÓN SILENT 300                              |                                 |
| 13  | 3223818 | ATTACCO A CAMME RIDUZIONE            | RACCORD EXCENTRIQUE REDUCTION              | CAM-LOCK COUPLING REDUCTION          | NOCKENANSCHLUSS REDUZIERSTÜCK           | RACOR TIPO CAMLOCK REDUCCION                                      | DN50 M-2" G F M.2 F.1/2" GHAS Z |
| 15  | 3223628 | VALVOLA A SFERA A SQUADRA            | VANNE A BOISSEAU SPHERIQUE A 90°           | ANGLE BALL VALVE                     | KUGELVENTIL                             | REGULAR LA VÁLVULA DE BOLA (2) DE LA MANERA INDICADA EN FIGURA 9A | 1/2" M.F. CIMBERIO CIM 230      |
| 16  | 3224102 | CASSETTA UTENSILI IN METALLO         | BOITE A OUTILS METALLIQUE                  | METAL TOOLBOX                        | WERKZEUGKASTEN AUS METALL               | CAJA DE METAL PARA HERRAMIENTAS                                   | 530X200X105                     |
| 17  | 3224830 | GUARNIZIONE ATTACCO A CAMME          | JOINT DE RACCORD EXCENTRIQUE               | CAM-LOCK COUPLING GASKET             | DICHTUNG NOCKENANSCHLUSS                | RACOR TIPO CAMLOCK  | SILENT 300 DN25                 |
| 18  | 3224831 | GUARNIZIONE ATTACCO A CAMME          | JOINT DE RACCORD EXCENTRIQUE               | CAM-LOCK COUPLING GASKET             | DICHTUNG NOCKENANSCHLUSS                | RACOR TIPO CAMLOCK  | SILENT 300 DN35                 |
| 19  | 3224499 | GUARNIZIONE ATTACCO A CAMME          | JOINT DE RACCORD EXCENTRIQUE               | CAM-LOCK COUPLING GASKET             | DICHTUNG NOCKENANSCHLUSS                | JUNTA CONEXIÓN DE LEVA  | DN50                            |
| 20  | 3223697 | GUARNIZIONE ATTACCO RAPIDO           | JOINT DE RACCORD EXCENTRIQUE               | QUICK COUPLING GASKET                | DICHTUNG SCHNELLKUPPLER                 | JUNTA CONEXIÓN RÁPIDA   | SILENT 300 (GEKA) SILENT300     |
| 21  | 3223410 | DUSE D14MM                           | DUSE D14MM                                 | DUSE D14MM                           | DUSE D14MM                              | FUSIBLE D14 MM  | SILENT300                       |
| 21  | 3224825 | DUSE D10MM                           | DUSE D10MM                                 | DUSE D10                             | DUSE D10                                | FUSIBLE D10   | SILENT 300                      |

ImerParts.com

888-634-4289

An iBuy Stores Company



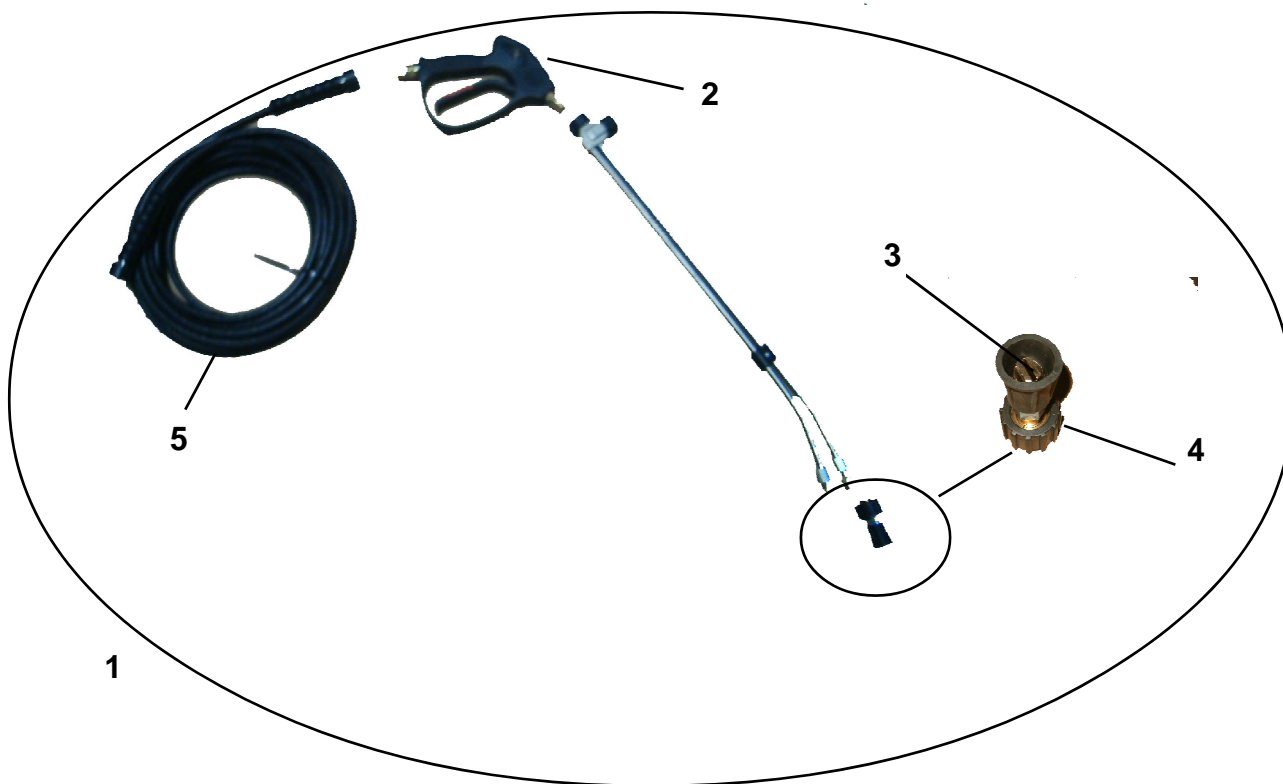


ImerParts.com  
888-894-4289  
An iBuy Stores Company



| TAV. 17 - TUBI MATERIALE - TUYAUX MATERIAU - MATERIAL PIPES - MATERIALFÖRERSCHLÄUCHE - TUBOS MATERIAL |         |  |   |   |   |   |             |
|---|---------|--|---|---|---|---|-------------|
| Rif.  | Cod.    | I  | F   | GB  | D   | E   | Note        |
| 1   | 1107533 | TUBO 10 Mt<br>PORTAMATERIALE<br>D50 CON ATTACCHI<br>A CAMME            | TUYAU 10 m DE<br>REFOULEMENT D50<br>AVEC RACCORD<br>EXCENTRIQUE             | MATERIAL PIPE 10<br>M. D50 WITH CAM-<br>LOCK COUPLINGS          | MATERIALFÖRDER-<br>SCHLAUCH<br>(10 M) D50 MIT<br>NOCKENAN-<br>SCHLÜSSEN         | TUBO 10 M<br>PORTAMATERIAL<br>D50 CON<br>RACORES TIPO<br>CAMLOCK          | SILENT 300A |
| 2   | 1107534 | TUBO 20Mt<br>PORTAMATERIALE<br>D50 CON ATTACCHI<br>A CAMME             | TUYAU DE REFOULEMENT<br>D50 AVEC<br>RACCORD<br>EXCENTRIQUE                  | MATERIAL PIPE<br>20M. D50 WITH<br>CAM-LOCK<br>COUPLINGS         | MATERIALFÖRDER-<br>SCHLAUCH (20 M)<br>D50 MIT<br>NOCKENAN-<br>SCHLÜSSEN         | TUBO 20 M<br>PORTAMATERIAL<br>D50 CON<br>RACORES TIPO<br>CAMLOCK          | SILENT 300A |
| 3   | 1107528 | TUBO 20Mt<br>PORTAMATERIALE<br>D35 CON ATTACCHI<br>A CAMME             | TUYAU 20m<br>DE REFOULEMENT<br>D35 AVEC<br>RACCORD<br>EXCENTRIQUE           | MATERIAL PIPE<br>20M D35 WITH<br>CAM-LOCK<br>COUPLINGS          | MATERIALFÖRDER-<br>SCHLAUCH (20 M)<br>D35 MIT<br>NOCKENAN-<br>SCHLÜSSEN         | TUBO 20 M<br>PORTAMATERIAL<br>D35 CON<br>RACORES TIPO<br>CAMLOCK          | SILENT 300  |
| 4   | 1107075 | TUBO 20Mt<br>PORTAMATERIALE<br>D35 M50/F35 CON<br>ATTACCHIA CAMME      | TUYAU 20m<br>DE REFOULEMENT<br>D35 M50/F35 AVEC<br>RACCORD<br>EXCENTRIQUE   | MATERIAL PIPE<br>20M D35 M50/F35<br>WITH CAM-LOCK<br>COUPLINGS  | MATERIALFÖRDER-<br>SCHLAUCH (20 M)<br>D35 M50/F35 MIT<br>NOCKENAN-<br>SCHLÜSSEN | TUBO 20 M<br>PORTAMATERIAL<br>D35 M50/F35 CON<br>RACORES TIPO<br>CAMLOCK  | SILENT 300  |
| 5   | 3225895 | TUBO 5Mt<br>PORTAMATERIALE<br>D35 M50/LIBERO<br>CON ATTACCHIA<br>CAMME | TUYAU 5m<br>DE REFOULEMENT<br>D35 M50/LIBERO<br>AVEC RACCORD<br>EXCENTRIQUE | MATERIAL PIPE<br>5M. D35 M50/FREE<br>WITH CAM-LOCK<br>COUPLINGS | MATERIALFÖRDER-<br>SCHLAUCH (5 M)<br>D35 M50/FREI MIT<br>NOCKENAN-<br>SCHLÜSSEN | TUBO 5 M<br>PORTAMATERIAL<br>D35 M50/LIBRE<br>CON RACORES<br>TIPO CAMLOCK | SILENT 300A |
| 6   | 1107074 | TUBO 5Mt<br>PORTAMATERIALE<br>D25 M35/M25 CON<br>ATTACCHIA CAMME       | TUYAU 5m<br>DE REFOULEMENT<br>D25 M35/M25 AVEC<br>RACCORD<br>EXCENTRIQUE    | MATERIAL PIPE<br>5M. D25 M35/M25<br>WITH CAM-LOCK<br>COUPLINGS  | MATERIALFÖRDER-<br>SCHLAUCH (5 M)<br>D25 M35/M25 MIT<br>NOCKENAN-<br>SCHLÜSSEN  | TUBO 5 M<br>PORTAMATERIAL<br>D25 M35/M25 CON<br>RACORES TIPO<br>CAMLOCK   | SILENT 300  |
| 7   | 3225944 | MORSETTO<br>STRINGITUBO  | COLLIER SERRE-<br>TUBE  | HOSE CLAMP  | SCHLAUCH-<br>KLEMME   | MORDAZA<br>APRIETATUBO  | 60-76       |
| 8   | 3225940 | RACCORDO<br>KAMLOCK A<br>FASCETTARE<br>DN 50M                          | RACCORD<br>KAMLOCK A<br>LIGATURER<br>DN 50M                                 | CAM-LOCK<br>COUPLING FOR<br>CLAMPING DN<br>50M                  | KAMLOCK-<br>KUPPLUNG<br>(ARRETIERUNG<br>MITTELS SCHELLE)<br>DN 50M              | EMPALME<br>CAMLOCK A FIJAR<br>CON<br>ABRAZADERA DN<br>50M                 |             |
| 9   | 3225938 | RACCORDO<br>KAMLOCK A<br>FASCETTARE<br>DN 50F                          | RACCORD<br>KAMLOCK A<br>LIGATURER<br>DN 50F                                 | CAM-LOCK<br>COUPLING FOR<br>CLAMPING DN 50F                     | KAMLOCK-<br>KUPPLUNG<br>(ARRETIERUNG<br>MITTELS SCHELLE)<br>DN 50F              | EMPALME<br>CAMLOCK A FIJAR<br>CON<br>ABRAZADERA DN<br>50F                 |             |
| 10  | 3225943 | MORSETTO<br>STRINGITUBO  | COLLIER SERRE-<br>TUBE  | PIPE CLAMP  | SCHLAUCH<br>KLEMME  | MORDAZA<br>APRIETATUBO  | 39-48       |
| 11  | 3225935 | RACCORDO<br>KAMLOCK A<br>FASCETTARE<br>DN 35 M                         | RACCORD<br>KAMLOCK A<br>LIGATURER<br>DN 35 M                                | CAM-LOCK<br>COUPLING FOR<br>CLAMPING<br>DN 35 M                 | KAMLOCK-<br>KUPPLUNG<br>(ARRETIERUNG<br>MITTELS SCHELLE)<br>DN 35 M             | EMPALME<br>CAMLOCK A FIJAR<br>CON<br>ABRAZADERA DN<br>35 M                |             |
| 12  | 3225936 | RACCORDO<br>KAMLOCK A<br>FASCETTARE<br>DN 35 F                         | RACCORD<br>KAMLOCK A<br>LIGATURER<br>DN 35 F                                | CAM-LOCK<br>COUPLING FOR<br>CLAMPING<br>DN 35 F                 | KAMLOCK-<br>KUPPLUNG<br>(ARRETIERUNG<br>MITTELS SCHELLE)<br>DN 35 F             | EMPALME<br>CAMLOCK A FIJAR<br>CON<br>ABRAZADERA DN<br>35 F                |             |
| 13  | 3225942 | MORSETTO<br>STRINGITUBO  | COLLIER SERRE-<br>TUBE  | PIPE CLAMP  | SCHLAUCH-<br>KLEMME   | MORDAZA<br>APRIETATUBO  | 32-40       |
| 14  | 3225933 | RACCORDO<br>KAMLOCK A<br>FASCETTARE<br>DN27 M                          | RACCORD<br>KAMLOCK A<br>LIGATURER<br>DN27 M                                 | CAM-LOCK<br>COUPLING FOR<br>CLAMPING<br>DN27 M                  | KAMLOCK-<br>KUPPLUNG<br>(ARRETIERUNG<br>MITTELS SCHELLE)<br>DN27 M              | EMPALME<br>CAMLOCK A FIJAR<br>CON<br>ABRAZADERA DN<br>27 M                |             |

ImerParts.com  
888-634-4289  
An iBuy Stores Company



**TAV. 18**

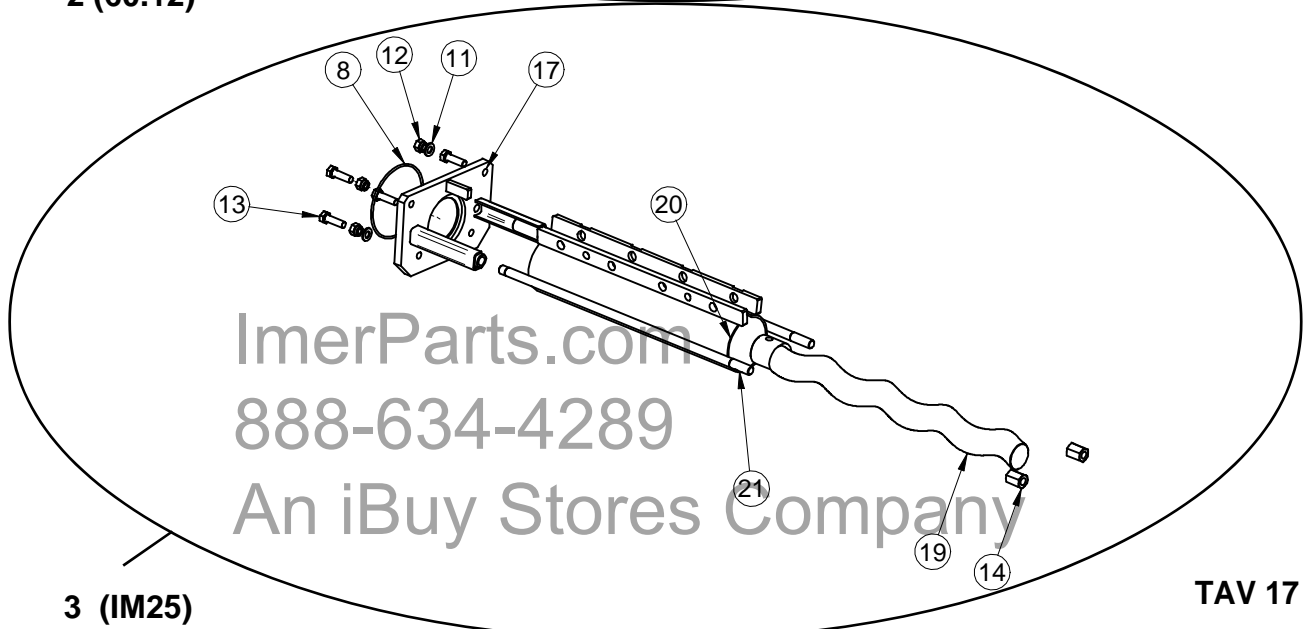
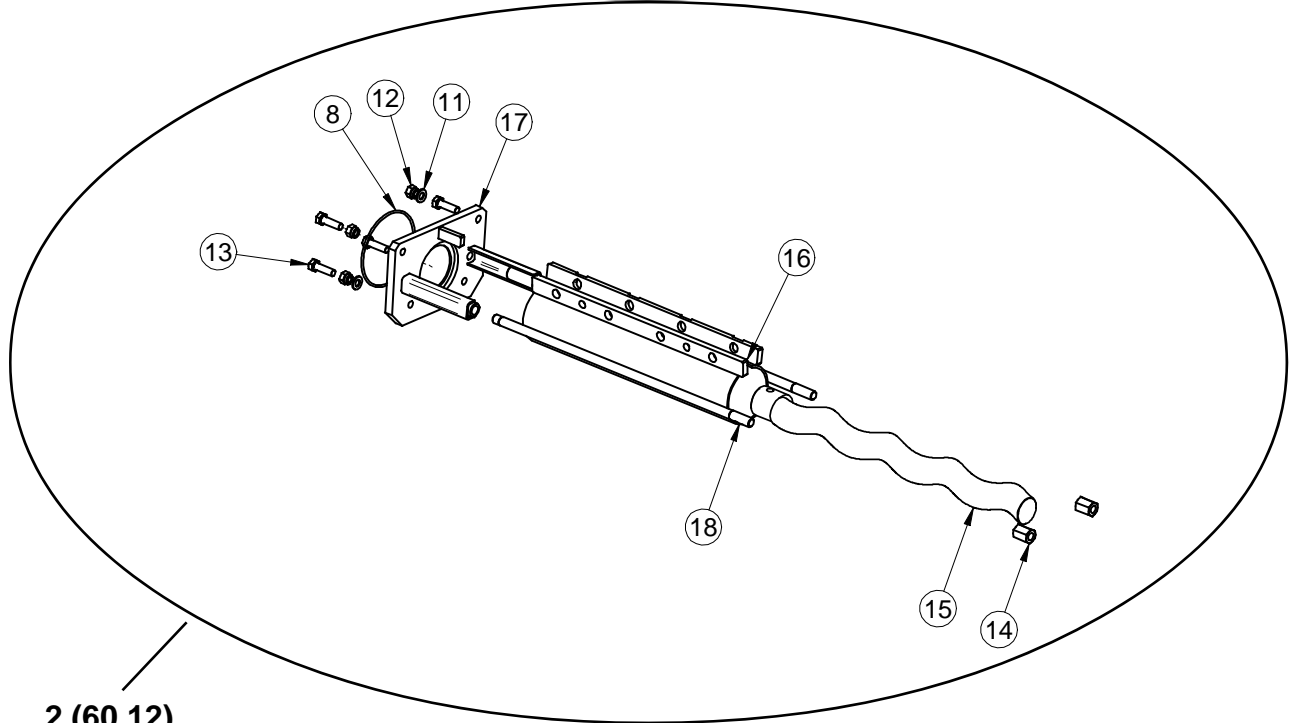
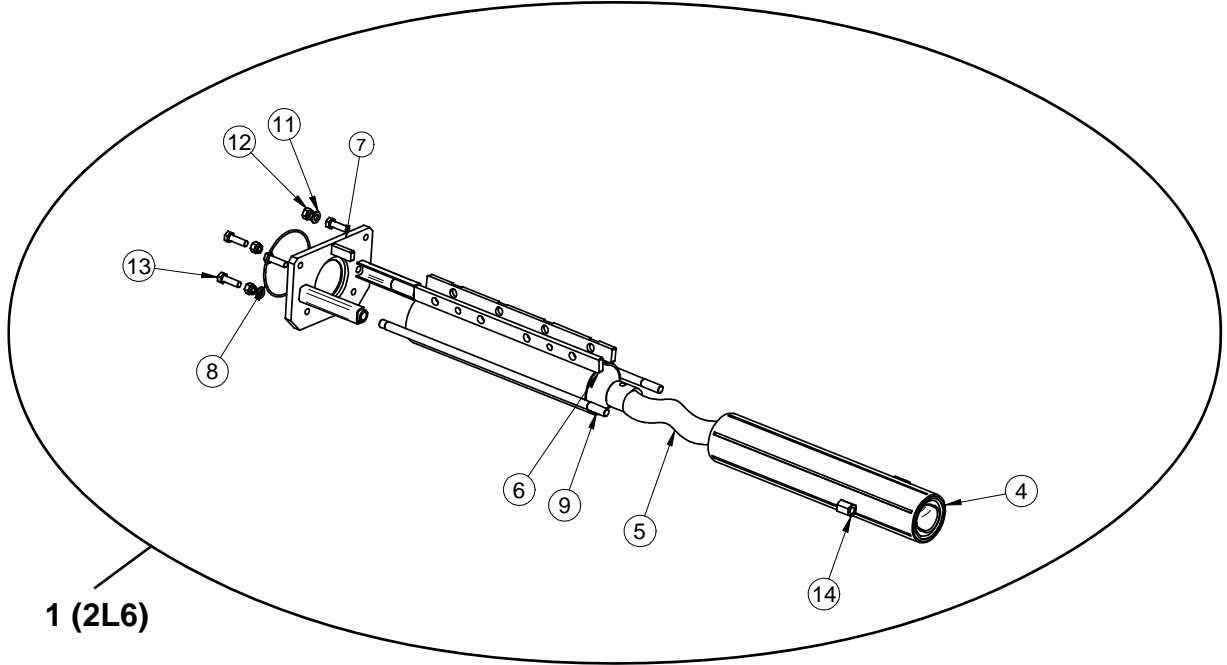
| TAV. 18 - KIT IDROPULTRICE - NETTOYEUR HP - PRESSURE WATER CLEANER KIT - BAUSATZ HOCHDRUCKREINIGER - KIT HIDROLIMPIADORA |         |   |   |                                       |                                     |  |      |
|--|---------|---|---|---------------------------------------|-------------------------------------|--|------|
| Rep.   | Code    | I   | F                                       | GB                                    | D                                   | E  | Note |
| 1  | 3224419 | KIT IDROPULTRICE                          | KIT NETTOYEUR                           | PRESSURE WATER CLEANER KIT            | BAUSATZ HOCHDRUCKREINIGER           | KIT HIDROLIMPIADORA                      |      |
| 2  | 3225370 | PISTOLA 200 BAR ATTACCO M22               | PISTOLET 200 BAR RACCORD M22            | GUN 200 BAR CONNECTION M22            | SPRITZGERÄT 200 BAR ANSCHLUSS M22   | PISTOLA 200 BARES RACOR M22              |      |
| 3  | 325371  | UGELLO ALTA PRESSIONE A VENTAGLIO 025 15° | BUSE HAUTE PRESSION EN EVENTAIL 025 15° | HIGH PRESSURE SPRAY NOZZLE 025 15°    | FÄCHERSTRAHL--HOCHDRUCKDÜSE 025 15° | BOQUILLA ALTA PRESIÓN DE ABANICO 025 15° |      |
| 4  | 3225372 | ATTACCO RAPIDO CON PROTEZIONE UGELLO      | RACCORD RAPIDE AVEC PROTECTION BUSE     | QUICK COUPLING WITH NOZZLE PROTECTION | SCHNELL-ANSCHLUSS MIT DÜSENSCHUTZ   | CONEXIÓN RÁPIDA CON PROTECCIÓN BOQUILLA  |      |
| 5  | 3225273 | 10 mt TUBO R1 5/1                         | 10 m TUYAU R1 5/1                       | 10 m PIPE R1 5/16                     | 10 m SCHLAUCH R1 5/1                | 10 m MANGUERA R1 5/1                     |      |

ImerParts.com  
888-634-4289  
An iBuy Stores Company

ImerParts.com

888-634-4289

An iBuy Stores Company



ImerParts.com  
888-634-4289  
An iBuy Stores Company

TAV 17



TAV. 17 - GRUPPI POMPA - GROUPES POMPE - PUMP UNITS - BAUGRUPPEN PUMPE - GRUPOS BOMBA

| Rif. | Cod.    | I                                       | F  | GB  | D  | E   | Note                 |
|------|---------|---|--|---|--|---|----------------------|
| 1    | 1107088 | KIT POMPA 2L6                           | KIT POMPE 2L6                            | PUMP KIT 2L6                              | BAUSATZ PUMPE 2L6                            | KIT BOMBA 2L6                             |                      |
| 2    | 1107090 | KIT POMPA 60.12                         | KIT POMPE 60.12                          | PUMP KIT 60.12                            | BAUSATZ PUMPE 60.12                          | KIT BOMBA 60.12                           |                      |
| 3    | 1107089 | KIT POMPA IM25                          | KIT POMPE IM25                           | PUMP KIT IM25                             | BAUSATZ PUMPE IM25                           | KIT BOMBA IM25                            |                      |
| 4    | 1107077 | STATORE 2L6 PER INTONACI PREMISCELATI   | STATOR 2L6 POUR ENDUITS PREMELANGES      | STATOR 2L6 FOR PREMIXED PLASTERS          | STATOR 2L6 FÜR VORGEMISCHTE PUTZE            | ESTATOR 2L6 PARA REVOQUES PREMEZCLADOS    |                      |
| 5    | 1107078 | VITE 2L6 PER INTONACI PREMISCELATI      | VIS 2L6 POUR ENDUITS PREMELANGES         | SCREW 2L6 FOR PREMIXED PLASTERST          | SCHNECKE 2L6 FÜR VORGEMISCHTE PUTZE          | TORNILLO 2L6 PARA REVOQUES PREMEZCLADOS   |                      |
| 6    | 3224334 | STRETTORE VITE                          | SERRE-JAQUETTE                           | SCREW CLAMP                               | DROSSELSTÜCK SCHNECKE                        | APRETADOR TORNILLO                        |                      |
| 7    | 3224354 | FLANGIA SUPPORTO VITE                   | FLASQUE SUPPORT DE VIS                   | SCREW SUPPORT FLANGE                      | FLANSCH SCHNECKENHALTERUNG                   | BRIDA SOPORTE TORNILLO                    |                      |
| 8    | 3224356 | ANELLO                                  | BAGUE                                    | RING                                      | RING   | ANILLO                                    | OR 4525              |
| 9    | 3224357 | TIRANTE COLLETTORE DI MANDATA 2L6       | TIRANT COLLECTEUR DE REFOULEMENT 2L6     | DELIVERY MANIFOLD STAY 2L6                | VERSTREBUNG DRUCKSEITIGE SAMMELLEITUNG 2L6   | TIRANTE COLECTOR DE IMPULSIÓN 2L6         |                      |
| 11   | 1223921 | DADO AUTOBLOCCANTE                      | ECROU AUTOBLOQUANT (ou AUTOFREINE)       | SELF-LOCKING NUT                          | SELBSTSICHERNDE MUTTER                       | TUERCA AUTOBLOQUEANTE                     | M12                  |
| 12   | 2224380 | ROSETTA                                 | RONDELLE                                 | WASHER                                    | UNTERLEGSSCHEIBE                             | ARANDELA                                  | 12X24 UNI 6592-69    |
| 13   | 2222550 | VITE                                    | VIS                                      | SCREW                                     | SCHRAUBE                                     | TORNILLO                                  | TCEI 12X435 UNI 5931 |
| 14   | 3224395 | DADO SPECIALE                           | ECROU SPECIAL                            | SPECIAL NUT                               | SPEZIALMUTTER                                | TUERCA ESPECIAL                           | M 16                 |
| 15   | 1107083 | VITE 60.12 PER AUTOLIVELLANTI           | VITS 60.12 POUR PRODUITS D'EGALISATION   | SCREW 60.12 FOR SELF-LEVELLING MATERIALS  | SCHNECKE 60.12 FÜR AUSGLEICHSSCHÜTTUNGEN     | TORNILLO 60.12 PARA AUTONIVELANTES        |                      |
| 16   | 1107081 | STATORE 60.12 PER AUTOLIVELLANTI        | STATOR 60.12 POUR PRODUITS D'EGALISATION | STATOR 60.12 FOR SELF-LEVELLING MATERIALS | STATOR 60.12 FÜR AUSGLEICHSSCHÜTTUNGEN       | ESTATOR 60.12 PARA AUTONIVELANTES         |                      |
| 17   | 3225853 | FLANGIA SUPPORTO VITE                   | FLASQUE SUPPORT DE VIS                   | SCREW SUPPORT FLANGE                      | FLANSCH SCHNECKENHALTERUNG                   | BRIDA SOPORTE TORNILLO                    |                      |
| 18   | 3225854 | TIRANTE COLLETTORE DI MANDATA 60.12     | TIRANT COLLECTEUR DE REFOULEMENT 60.12   | DELIVERY MANIFOLD STAY 60.12              | VERSTREBUNG DRUCKSEITIGE SAMMELLEITUNG 60.12 | TIRANTE COLECTOR DE IMPULSIÓN 60.12       |                      |
| 19   | 1107080 | VITE IM25 PER INTONACI TRADIZIONALI     | VIS IM25 POUR ENDUITS TRADITIONNELS      | SCREW IM25 FOR CONVENTIONAL PLASTERS      | SCHNECKE IM25 FÜR HERKÖMMLICHE PUTZE         | TORNILLO IM25 PARA REVOQUES PREMEZCLADOS  |                      |
| 20   | 1107079 | STATORE IM 25 PER INTONACI TRADIZIONALI | STATOR IM 25 POUR ENDUITS TRADITIONNELS  | STATOR IM 25 FOR CONVENTIONAL PLASTERS    | STATOR IM 25 FÜR HERKÖMMLICHE PUTZE          | ESTATOR IM 25 PARA REVOQUES TRADICIONALES |                      |
| 21   | 3225363 | TIRANTE COLLETTORE DI MANDATA IM25      | TIRANT COLLECTEUR DE REFOULEMENT IM25    | DELIVERY MANIFOLD STAY IM                 | VERSTREBUNG DRUCKSEITIGE SAMMELLEITUNG IM25  | TIRANTE COLECTOR DE IMPULSIÓN IM25        |                      |

ImerParts.com  
888-634-4289  
An iBuy Stores Company



**Fig. 1**



**Fig. 2**



**Fig. 3**



**Fig. 4**



**Fig. 5**



**Fig. 6**



**Fig. 7**

| TAV. 18 - ACCESSORI - ACCESSOIRES - ACCESSORIES - ZUBEHÖR - ACCESORIOS |                               |  |  |  |  |  |                             |
|--|-------------------------------|--|--|--|--|--|-----------------------------|
| Rif.   | Cod.                          | I  | F  | GB   | D  | E  | Note                        |
| 1  | 1107070                       | IDROPULTRICE ALTA PRESSIONE  | NETTOYEUR HP   | HIGH PRESSURE WATER CLEANER  | HOCHDRUCKREINIGER  | HIDROLIMPIADORAS DE ALTA PRESION                                       | (FIG 1)                     |
| 2  | 1107071                       | VAGLIO VIBRANTE CON ELETTROVIBRATORE                                 | CRIBLE VIBRANT AVEC VIBRATEUR ELECTRIQUE INCORPORE       | VIBRATING SCREEN WITH ELECTRIC VIBRATOR                            | RÜTTELSIEB MIT ELEKTORÜTTLER   | TAMIZ VIBRATORIO CON ELECTROVIBRADOR                                   | SILENT 300 VEDITAV9         |
| 3  | 1107172                       | ELETTROVIBRATORE   | VIBRATEUR ELECTRIQUE                                     | ELECTRIC VIBRATOR  | ELEKTORÜTTLER  | ELECTROVIBRADOR  | SILENT 300A VEDITAV 9 RIF 6 |
| 4  | 1107056                       | CONTALITRI   | COMPTEUR DE LITRES                                       | LITRE-COUNTER  | LITERZÄHLER  | CUENTALITROS   | SILENT 300 (FIG 2)          |
| 5  | 1107082                       | KIT DISPOSITIVO INIEZIONI  | KIT DISPOSITIF INJECTIONS                                | INJECTION DEVICE KIT   | BAUSATZ EINSPRITZ-VORRICHTUNG  | KIT DISPOSITIVO DE INYECCIONES   | SILENT 300                  |
| 6  | 1107073                       | RADIOCOMANDO A 5 FUNZIONI CON CONTROLLO PORTATA                      | RADIOCOMMANDE A 5 FONCTIONS AVEC CONTROLLE DE DEBIT      | 5-FUNCTION RADIO CONTROL WITH DELIVERY CONTROL                     | FUNKFERNBEDIENUNG MIT 5 FUNKTIONEN UND FÖRDERMENGENKONTROLLE                       | RADIOMANDO DE 5 FUNCIONES CON CONTROL DE CAUDAL                        | FIG 3                       |
| 7  | 1107086                       | COMANDO ELETTRICO A 4 FUNZIONI                                       | COMMANDE ELECTRIQUE A 4 FONCTIONS                        | 4-FUNCTION ELECTRIC CONTROL  | ELEKTRISCHE FERNBEDIENUNG MIT 4 FUNKTIONEN   | MANDO ELÉCTRICO DE 4 FUNCIONES   | SILENT 300                  |
| 8  | 1107533                       | TUBO 10M PORTAMATERIALE D50 CON ATTACCO A CAMME                      | TUYAU 10 M DE REFOULEMENT D50 AVEC RACCORD EXCENTRIQUE   | MATERIAL PIPE 10M. D50 WITH CAM-LOCK COUPLING                      | MATERIALFÖRDER-SCHLAUCH (10 M) D50 MIT NOCKENANSCHLUSS                             | TUBO 10 M PORTAMATERIAL D50 CON CONEXIÓN TIPO CAMLOCK                  | SILENT 300A (FIG 6)         |
| 9  | 1107534                       | TUBO 20M PORTAMATERIALE D50 CON ATTACCO A CAMME                      | TUYAU 20 M DE REFOULEMENT D50 AVEC RACCORD EXCENTRIQUE   | MATERIAL PIPE 20M. D50 WITH CAM-LOCK COUPLING                      | MATERIALFÖRDER-SCHLAUCH (20 M) D50 MIT NOCKENANSCHLUSS                             | TUBO 20 M PORTAMATERIAL D50 CON CONEXIÓN TIPO CAMLOCK                  | SILENT 300A (FIG 6)         |
| 10   | 1107528                       | TUBO 10M PORTAMATERIALE D35 CON ATTACCO A CAMME                      | TUYAU 10 M DE REFOULEMENT D35 AVEC RACCORD EXCENTRIQUE   | MATERIAL PIPE 10M. D35 WITH CAM-LOCK COUPLING                      | MATERIALFÖRDER-SCHLAUCH (10 M) D35 MIT NOCKENANSCHLUSS                             | TUBO 10 M PORTAMATERIAL D35 CON CONEXIÓN TIPO CAMLOCK                  | SILENT 300 (FIG 6)          |
| 11   | 1107074                       | TUBO 5M PORTAMATERIALE D25 M35/M25 CON ATTACCHIA CAMME               | REFOULEMENT D25 M35/M25 AVEC RACCORD EXCENTRIQUE         | MATERIAL PIPE 5M. D25 M35/M25 WITH CAM-LOCK COUPLING               | MATERIALFÖRDER-SCHLAUCH (5 M) D25 M35/M25 MIT NOCKENANSCHLUSSEN                    | TUBO 5 M PORTAMATERIAL D25 M35/M25 CON RACORES TIPO CAMLOCK            | SILENT 300 (FIG 6)          |
| 12   | 1107075                       | TUBO 20 M PORTAMATERIALE D35 M50/F35 CON ATTACCHIA CAMME             | REFOULEMENT D35 M50/F35 AVEC RACCORD EXCENTRIQUE         | MATERIAL PIPE 20 M. D35 M50/F35 WITH CAM-LOCK COUPLINGS            | MATERIALFÖRDER-SCHLAUCH (20 M) D35 M50/F35 MIT NOCKENANSCHLUSSEN                   | TUBO 20 M PORTAMATERIAL D35 M50/F35 CON RACORES TIPO CAMLOCK           | SILENT 300 (FIG 6)          |
| 13   | 1107530                       | TUBO ARIA 5M D13 CON ATTACCHI GEKA                                   | TUYAU D'AIR 5 M D13 AVEC RACCORDS GEKA                   | AIR HOSE 5M. D13 WITH GEKA COUPLINGS                               | LUFTSCHLAUCH 5 M D13 MIT GEKA-ANSCHLUSSEN  | TUBO AIRE 5 M D13 CON RACORES GEKA                                     | (FIG 4)                     |
| 14   | 1107531                       | TUBO ARIA 10M D13 CON ATTACCHI GEKA                                  | TUYAU D'AIR 10 M D13 AVEC RACCORDS GEKA                  | AIR HOSE 10M. D13 WITH GEKA COUPLINGS                              | LUFTSCHLAUCH 10 M D13 MIT GEKA-ANSCHLUSSEN   | TUBO AIRE 10 M D13 CON RACORES GEKA                                    | (FIG 4)                     |
| 15   | 1107076                       | TUBO ARIA 20M D13 CON ATTACCHI GEKA                                  | TUYAU D'AIR 20 M D13 AVEC RACCORDS GEKA                  | AIR HOSE 20M. D13 WITH GEKA COUPLINGS                              | LUFTSCHLAUCH 20 M D13 MIT GEKA-ANSCHLUSSEN   | TUBO AIRE 20 M D13 CON RACORES GEKA                                    | (FIG 4)                     |
| 16   | 1107532                       | TUBO ARIA 16M D13 CON ATTACCHI GEKA                                  | TUYAU D'AIR 16 M D13 AVEC RACCORDS GEKA                  | AIR HOSE 16M. D13 WITH GEKA COUPLINGS                              | LUFTSCHLAUCH 16 M D13 MIT GEKA-ANSCHLUSSEN   | TUBO AIRE 16 M D13 CON RACORES GEKA                                    | (FIG 4)                     |
| 17   | 1107077                       | STATORE 2 L6 PER INTONACI PREMISCELATI                               | STATOR 2 L6 POUR ENDUITS PREMELANGES                     | STATOR 2 L6 FOR PREMIXED PLASTERS                                  | STATOR 2 L6 FÜR VORGEMISCHTE PUTZE   | ESTATOR 2 L6 PARA REVOQUES PREMEZCLADOS                                | SILENT 300 (FIG 5)          |
| 18   | 1107078                       | VITE 2 L6 PER INTONACI PREMISCELATI                                  | VIS 2 L6 POUR ENDUITS PREMELANGES                        | SCREW 2 L6 FOR PREMIXED PLASTERS                                   | SCHNECKE 2 L6 FÜR VORGEMISCHTE PUTZE   | TORNILLO 2 L6 PARA REVOQUES PREMEZCLADOS                               | (FIG 5)                     |
| 19   | 1107079                       | STATORE IM25 PER INTONACI TRADIZIONALI                               | STATOR IM25 POUR ENDUITS TRADITIONNELS                   | STATOR IM25 FOR CONVENTIONAL PLASTERS                              | STATOR IM25 FÜR HERKOMMLICHE PUTZE   | ESTATOR IM25 PARA REVOQUES TRADICIONALES                               | (FIG 5)                     |
| 20   | 1107080                       | VITE IM25 PER INTONACI TRADIZIONALI                                  | VIS IM25 POUR ENDUITS TRADITIONNELS                      | SCREW IM25 FOR CONVENTIONAL PLASTERS                               | SCHNECKE IM25 FÜR HERKOMMLICHE PUTZE   | TORNILLO IM25 PARA REVOQUES TRADICIONALES                              | (FIG 5)                     |
| 21   | 1107081                       | STATORE 60.12 PER AUTOLIVELLANTI                                     | STATOR 60.12 POUR PRODUITS D'EGALISATION                 | STATOR 60.12 FOR SELF-LEVELLING MATERIALS                          | STATOR 60.12 FÜR AUSGUSSSCHÜTTUNGEN  | ESTATOR 60.12 PARA AUTONIVELANTES                                      | (FIG 5)                     |
| 22   | 1107083                       | VITE 60.12 PER AUTOLIVELLANTI  | VIS 60.12 POUR PRODUITS D'EGALISATION                    | SCREW 60.12 FOR SELF-LEVELLING MATERIALS                           | SCHNECKE 60.12 FÜR AUSGUSSSCHÜTTUNGEN  | TORNILLO 60.12 PARA AUTONIVELANTES                                     | (FIG 5)                     |
| 23   | 1107519<br>1107520<br>1107521 | KIT N10 SPUGNE D30 PER TUYAU D25 D40 PER TUYAU D35 D60 PER TUYAU D50 | D30 POUR TUYAU D25 D40 POUR TUYAU D35 D60 POUR TUYAU D50 | KIT N10 SPONGES D30 FOR PIPE D25 D40 FOR PIPE D35 D60 FOR PIPE D50 | BAUSATZ 10 SCHWÄMME D30 FÜR SCHLAUCH D25 D40 FÜR SCHLAUCH D35 D60 FÜR SCHLAUCH D50 | KIT N10 ESPONJAS D30 PARA TUYO D25 D40 PARA TUYO D35 D60 PARA TUYO D50 | (FIG 7)                     |