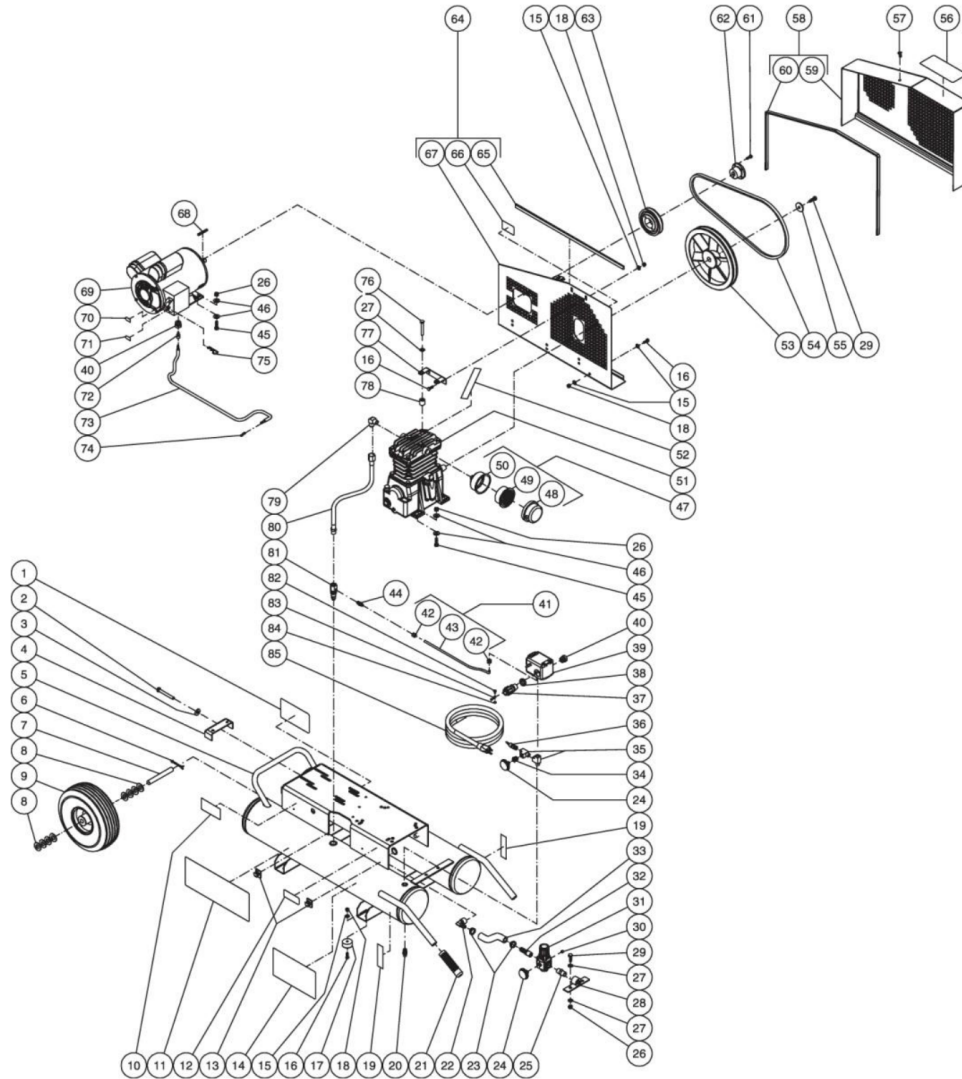




AC1-PE15-08M1 / AC1-PE15-08M1 (sn:20035391-99999999)

## TANK ASSEMBLY



Id	Item #	Description	Quantity
1	N/A SEP.	DECAL-MAINTENANCE INSTRUCTIONS (SEE 34-9016)	1
2	27-0576	BOLT	1
3	28-0023	FLATWASHER	1
4	20-0614A01	BELT TENSIONER PLATE	1
5	854-0027	AIR TANK ASSEMBLY (INC. 12, 14, 19)	1
6	43-0092	COTTER PIN	2
7	20-0420	AXLE	1

<b>Id</b>	<b>Item #</b>	<b>Description</b>	<b>Quantity</b>
8	28-0008	WASHER	8
9	14-0067	WHEEL	1
10	N/A	DECAL- DATA PLATE	1
11	34-0814	DECAL- LOGO	1
12	N/A Sep.	DECAL- WARNING: HOT SURFACE (SEE 34-9016)	1
13	33-0264	WIRE CLIP	2
14	N/A Sep.	DECAL- DANGER/WARNING/CAUTION (SEE 34-9016)	1
15	28-0002	WASHER	12
16	27-0015	BOLT	11
17	14-0069	ISOLATOR	4
18	30-0155	LOCKNUT	7
19	N/A Sep.	DECAL-DRAIN TANK (SEE 34-9016)	2
20	23-0312	DRAIN VALVE	2
21	7-0143	HANDLE GRIPS	2
22	23-0418	HOSE BARB	1
23	42-0011	HOSE CLAMP	2
24	22-0271	PRESSURE GAUGE	2
25	24-0010	NIPPLE	1
26	30-0157	LOCKNUT	10
27	28-0003	WASHER	6
28	20-0421A01	REGULATOR MOUNTING BRACKET	1
29	27-0067	BOLT	3
30	24-0082	REGULATOR PLUG	1
31	22-0231	REGULATOR	1
32	23-0105	HOSE BARB	1
33	15-0007	HOSE *(ONE FOOT REQUIRED)	1
34	23-0111	ADAPTER	1
35	23-0127	STREET TEE	1
36	22-0228	SAFETY RELIEF VALVE	1
37	32-0766	CORD STRAIN RELIEF	1
38	32-0108	LOCKNUT	1
39	22-0232	PRESSURE SWITCH	1
40	9-0045	BUSHING	2
41	854-0022	TUBE ASSEMBLY (INC. 42, 43)	1
42	23-0315	COMPRESSION NUT	2
43	54-0034	TUBE *(TWO FEET REQUIRED)	1
44	23-0328	ADAPTER	1
45	27-0068	BOLT	8
46	28-0022	WASHER	16

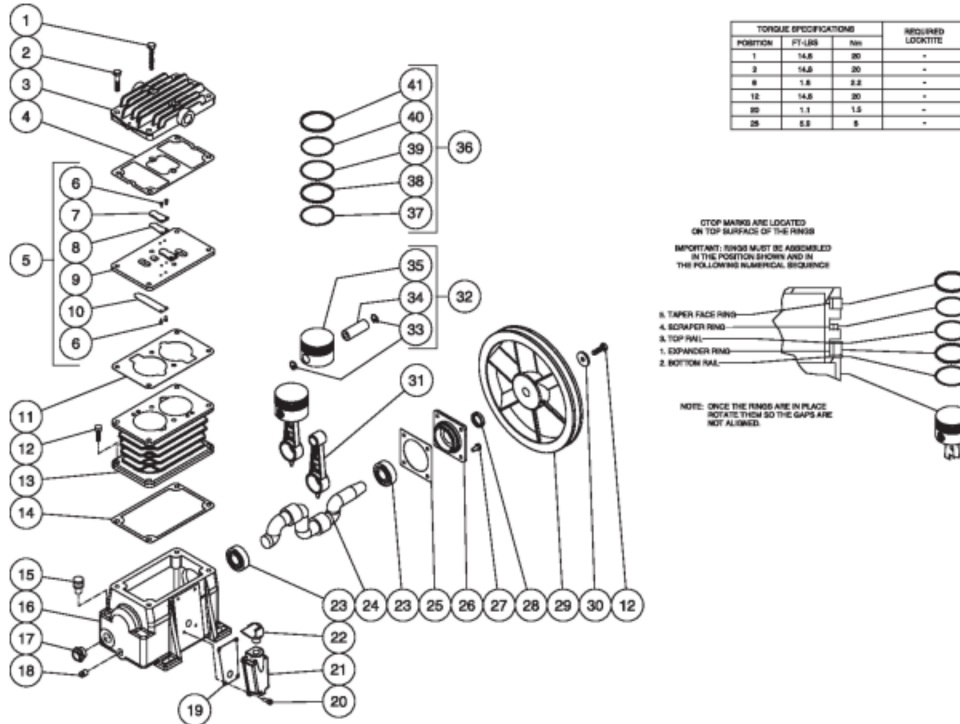
<b>Id</b>	<b>Item #</b>	<b>Description</b>	<b>Quantity</b>
47	19-0083	AIR FILTER ASSEMBLY W/ COMPRESSOR (INC. 48-50)	1
48	19-0084	FILTER HOUSING	1
49	19-0082	FILTER ELEMENT	1
50	N/A Sep.	FILTER HOUSING W/ COMPRESSOR (SEE 19-0083)	1
51	3-0215	PUMP	1
52	N/A Sep.	DECAL- CHECK OIL TAPE (SEE 34-9016)	1
53	10-0115	FLYWHEEL W/COMPRESSOR	1
54	11-0011	DRIVE BELT	1
55	28-1032	FLATWASHER FLYWHEEL	1
56	N/A Sep.	DECAL- OPERATING INSTRUCTIONS (SEE 34-9016)	1
57	33-0197	FASTENER	1
58	854-0009	BELTGUARD ASSEMBLY (INC. 59, 60)	1
59	N/A Sep.	BELTGUARD COVER (SEE 854-0009)	1
60	33-0020	EDGING *(FOUR FEET REQUIRED)	1
61	27-0015	BOLT W/BUSHING	2
62	9-0037	BUSHING	1
63	10-0099	DRIVE PULLEY	1
64	854-0007	BELTGUARD BACK ASSEMBLY (INC. 65-67)	1
65	33-0020	EDGING *(TWO FEET REQUIRED)	1
66	N/A Sep.	DECAL- WARNING: BELTGUARD IN PLACE (SEE 34-9016)	1
67	N/A Sep.	BELTGUARD BACK (SEE 854-0007)	1
68	43-0073	KEY	1
69	2-0136	MOTOR- 1.5 HP	1
70	N/A Sep.	DECAL- 230 VOLT (SEE 34-9016)	1
71	N/A Sep.	DECAL- 115 VOLT (SEE 34-9016)	1
72	32-0359	CRIMPED WIRE SPLICE	2
73	32-0445	CORD *(THREE FEET REQUIRED)	1
74	32-0003	TERMINAL FORK	4
75	43-0111	COTTER PIN	1
76	27-0072	SCREW	2
77	20-0574A01	SUPPORT BRACKET	1
78	27-0074	SPACER	2
79	23-0426	ELBOW	1
80	15-0236	HOSE	1
81	22-0334	CHECK VALVE	1
82	27-8933	SCREW	1
83	32-0099	TERMINAL RING	3
84	28-1009	LOCKWASHER	3
85	32-0754	CORD PLUG SET	1

Id	Item #	Description	Quantity
	34-9016	SAFETY DECAL KIT (INC. 1, 12, 14, 19, 52, 56, 66, 70, 71) *MUST ORDER IN ONE FOOT LENGTHS	



AC1-PE15-08M1 / AC1-PE15-08M1 (sn:20035391-99999999)

## PUMP



Id	Item #	Description	Quantity
1	27-0071	SCREW	2
2	27-0069	SCREW	4
3	46-1199	CYLINDER HEAD	1
4	N/A Sep.	HEAD GASKET (SEE 70-0326)	1
5	46-0952	VALVE PLATE ASSEMBLY (INC. 6-10)	2
6	N/A Sep.	VALVE SCREW (SEE 70-0327)	8
7	N/A Sep.	VALVE STOP (SEE 70-0327)	2
8	N/A Sep.	OUTLET REED VALVE (SEE 70-0327)	2
9	N/A	VALVE PLATE	1
10	N/A Sep.	INLET REED VALVE (SEE 70-0327)	2
11	N/A Sep.	CYLINDER VALVE PLATE GASKET (SEE 70-0326)	1
12	27-0067	SCREW	5
13	46-0953	CYLINDER	1
14	N/A Sep.	CYLINDER TO CRANKCASE GASKET (SEE 70-0326)	1

<b>Id</b>	<b>Item #</b>	<b>Description</b>	<b>Quantity</b>
15	46-1144	OIL FILL PLUG	1
16	46-1194	CRANKCASE	1
17	46-1145	OIL SIGHT GLASS	1
18	24-0082	PLUG	1
19	26-0292	GASKET	1
20	27-8885	BOLT	4
21	46-1195	COVER	1
22	46-1196	ELBOW	1
23	48-0016	BEAR BALL	2
24	46-0955	CRANKSHAFT	1
25	N/A Sep.	FLANGE GASKET (SEE 70-0326)	1
26	46-0957	FLANGE	1
27	27-0014	SCREW	4
28	26-0246	SHAFT OIL SEAL	1
29	10-0115	FLYWHEEL	1
30	N/A Sep.	WASHER W/CRANKSHAFT (SEE 46-0955)	1
31	46-0958	CONNECTING ROD	2
32	70-0329	PISTON KIT (INC. 33-35)	2
33	N/A Sep.	SNAP RING (SEE 70-0329)	4
34	N/A Sep.	WRIST PIN (SEE 70-0329)	2
35	N/A Sep.	PISTON (SEE 70-0329)	2
36	70-0328	PISTON SEALS KIT (INC. 37-41)	2
37	N/A Sep.	BOTTOM RAIL (SEE 70-0328)	2
38	N/A Sep.	EXPANDER RING (SEE 70-0328)	2
39	N/A Sep.	TOP RAIL (SEE 70-0328)	2
40	N/A Sep.	SCRAPER PISTON RING (SEE 70-0328)	2
41	N/A Sep.	TAPER FACE PISTON RING (SEE 70-0328)	2
KIT	70-0326	GASKET KIT (INC. 4, 11, 14, 25)	
KIT	70-0327	VALVE PLATE KIT (INC. 6-8, 10)	
KIT	70-0328	PISTON SEALS KIT (INC. 37-41)	
KIT	70-0329	PISTON KIT (INC. 33-35)	