

LS300P CONCRETE PUMP

Table Of Contents.....	2
Explanation Of Code In Remarks Column.....	4
Suggested Spare Parts	5

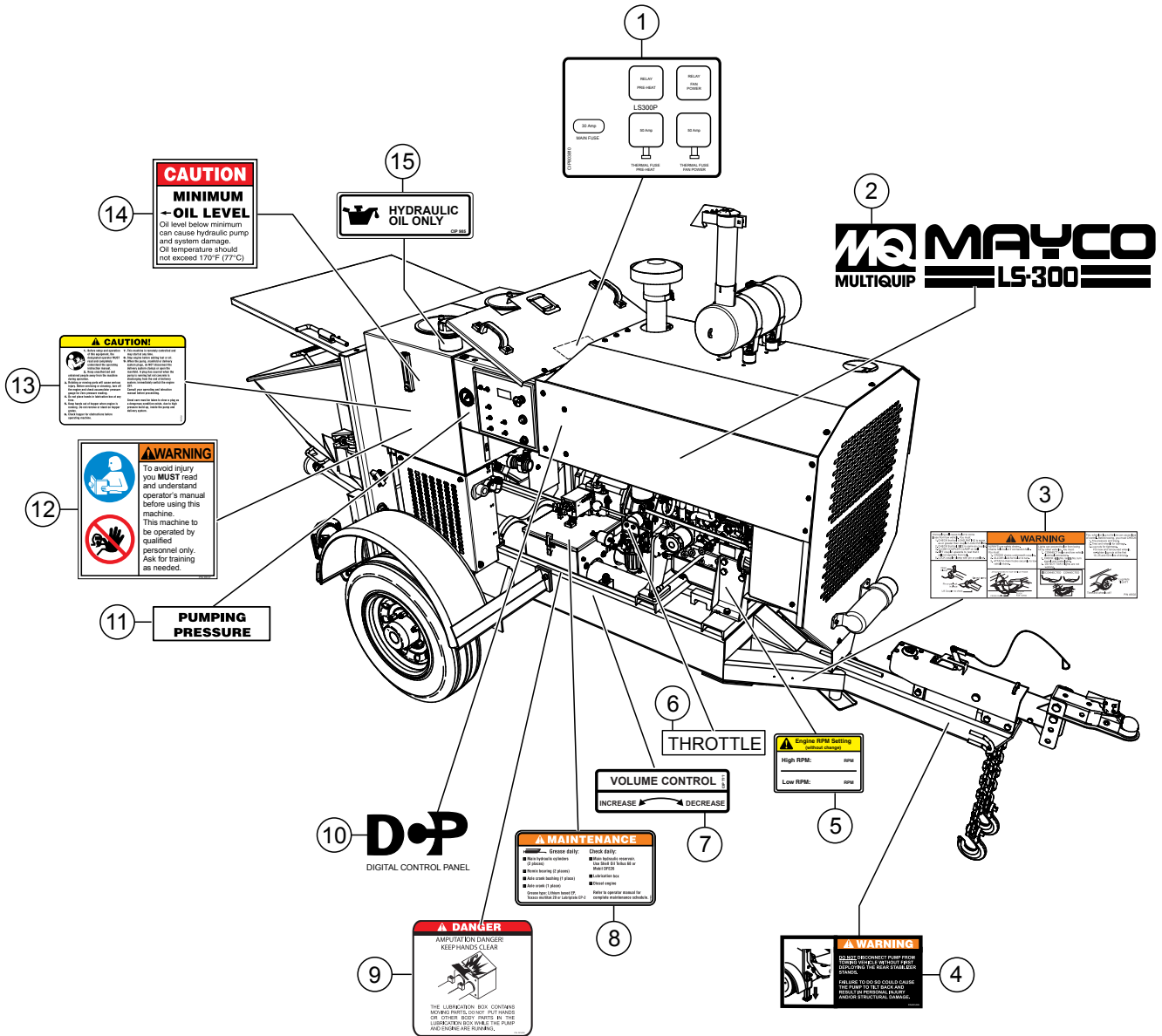
Component Drawings

Nameplate And Decals Assembly	6-9
Frame Assembly	10-11
Axle/Brake Line Assembly	12-13
Trailer Hitch Assembly	14-15
Battery Assembly.....	16-17
Hopper Assembly	18-19
Hopper Attachment Assembly	20-21
Hopper Interior Assembly	22-23
Shuttle Cylinder Assembly.....	24-25
Lubrication Pistons Assembly.....	26-29
Fuel Tank Assembly.....	30-31
Heat Exchanger Assembly	32-33
Piston Accumulator Assembly	34-35
Lubrication Panel Assembly	36-37
Engine Cover Assembly	38-39
Hydraulic Tank Assembly.....	40-41
Engine Mounting Exhaust Assembly	42-43
Air Filter Assembly.....	44-45
Throttle Assembly	46-47
Fuel Filters/Water Separator Assembly	48-49
Hydraulic Pump Assembly.....	50-51
Manifold Assembly.....	52-53
Control Box Assembly	54-55
Control Box Harness Assembly.....	56-57
Remote Control Cable Assembly	58-59
Fuses And Relays Assembly	60-61

NOTICE

Specifications and part numbers are subject to change without notice.

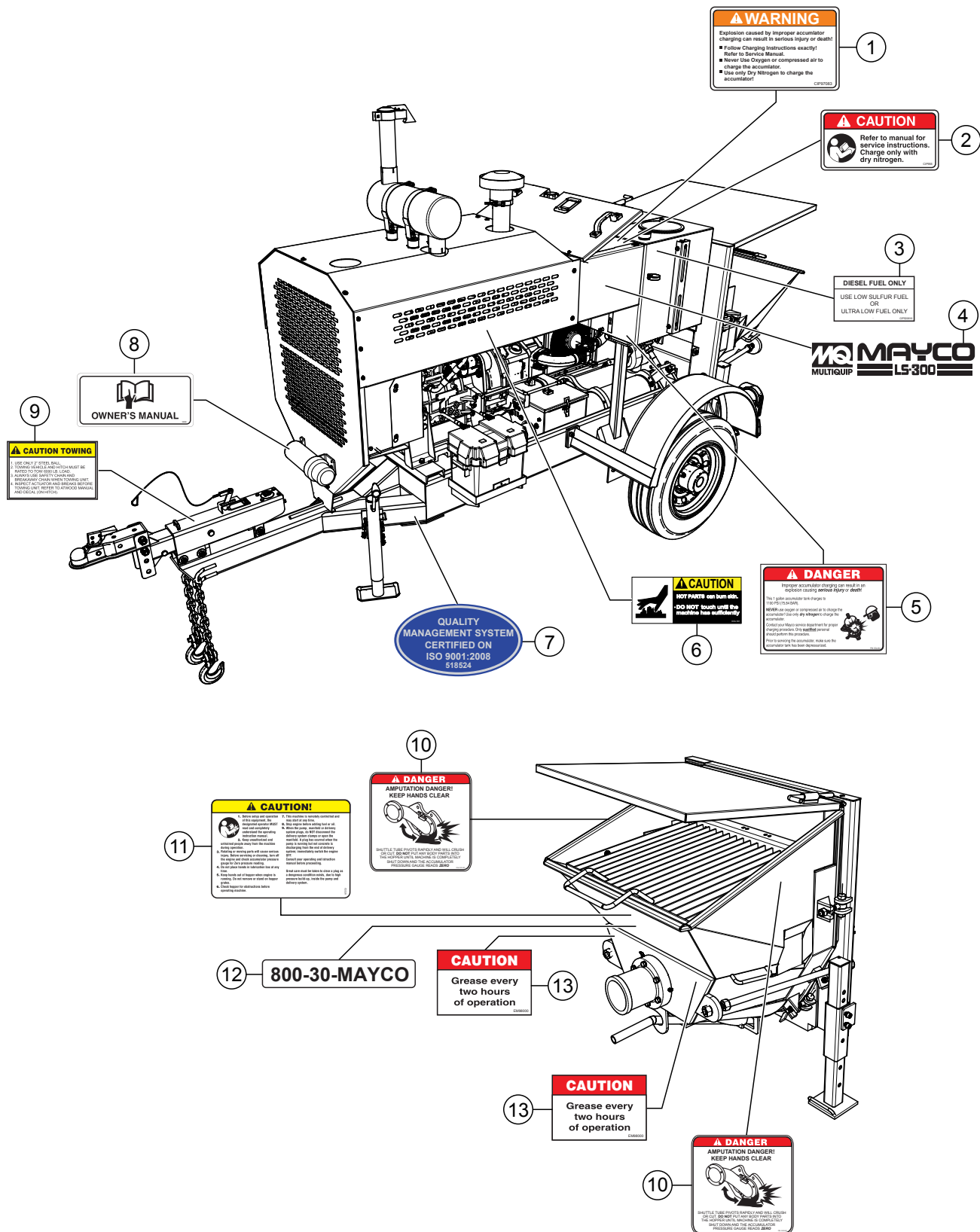
NAMEPLATE AND DECALS ASSEMBLY



NAMEPLATE AND DECALS ASSEMBLY

<u>NO.</u>	<u>PART NO.</u>	<u>PART NAME</u>	<u>QTY.</u>	<u>REMARKS</u>
1	803810	DECAL, FUSE/RELAY OVERLAY	1	
2	EM516936	DECAL, MQ/MAYCO LS300 LOGO LARGE	1	
3	34627	DECAL, TOWING, WARNING	1	
4	DCL305	DECAL, WARNING REAR STABILIZERS	1	
5	513580	DECAL, ENGINE RPM SETTING	1	
6	EM980	DECAL, THROTTLE	1	
7	EM985	DECAL, VOLUME CONTROL	1	
8	EM97084	DECAL, MAINTENANCE	1	
9	DCL300	DECAL, LUBRICATION BOX	1	
10	517907	DIGITAL CONTROL PANEL LOGO	1	
11\$	EM97070	DECAL, PUMPING PRESSURE	1	
12	35137	DECAL, CAUTION READ MANUAL	1	
13	EM97072	DECAL, CAUTION OPERATIONS INSTRUCT.	1	
14	EM511901	DECAL, CAUTION MINIMUM OIL LEVEL	1	
15	EM985	DECAL, HYDRAULIC OIL	1	

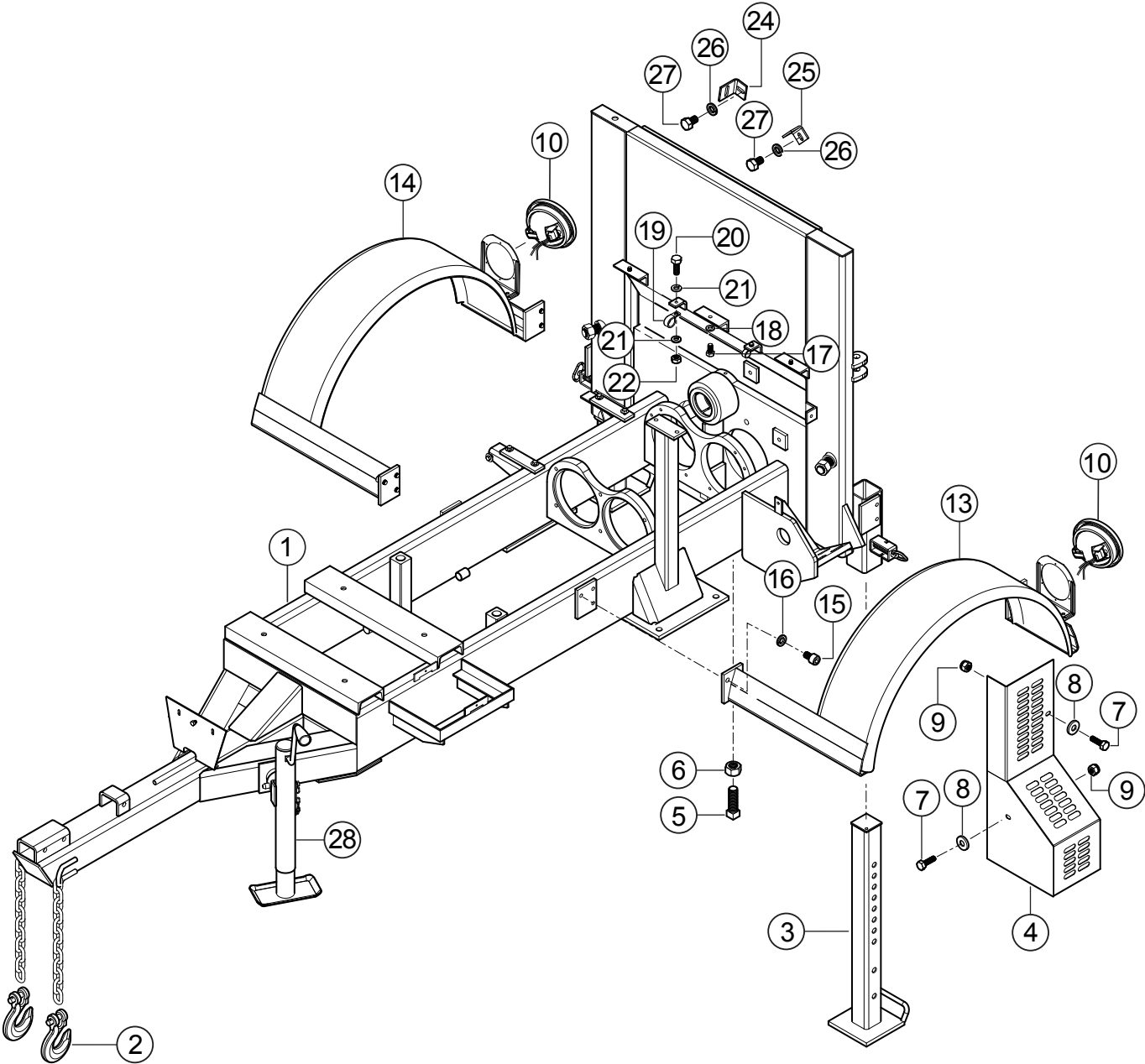
NAMEPLATE AND DECALS ASSEMBLY



NAMEPLATE AND DECALS ASSEMBLY

<u>NO.</u>	<u>PART NO.</u>	<u>PART NAME</u>	<u>QTY.</u>	<u>REMARKS</u>
1	EM97083	DECAL; WARNING	1	
2	EM955	DECAL; CAUTION DRY NITROGEN	1	
3	EM995	DECAL; CAUTION DIESEL FUEL	1	
4	516937	DECAL; MAYCO LOGO SMALL	1	
5	DCL304	DECAL; DANGER IMPROPER CHARGING	1	
6	DCL302	DECAL; WARNING BURN HAZARD	1	
7	518524	DECAL; ISO 9001:2008 EXPORT	1	
8	34536	DECAL; OWNER'S MANUAL	1	
9	EM969	DECAL; CAUTION TOWING	1	
10	DCL301	DECAL; DANGER SHUTTLE TUBE	2	
11	EM97072	DECAL; CAUTION OPERATIONS INSTRUCT.	1	
12	EM511709	DECAL; 800-30-MAYCO	1	
13	EM510386	DECAL; CAUTION-GREASE 2 HOURS	2	

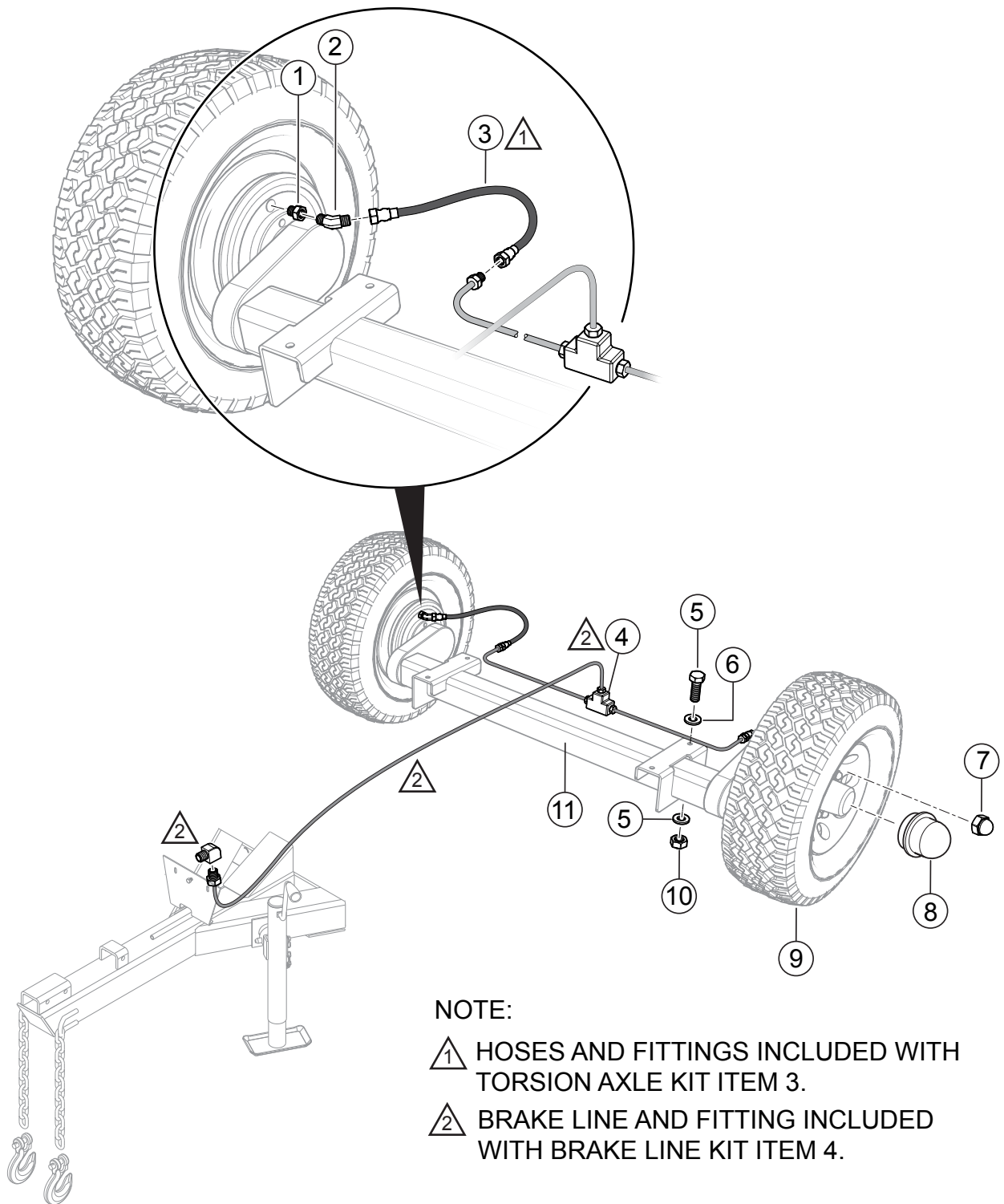
FRAME ASSEMBLY



FRAME ASSEMBLY

<u>NO.</u>	<u>PART NO.</u>	<u>PART NAME</u>	<u>QTY.</u>	<u>REMARKS</u>
1	803684	FRAME, MAIN	1	
2	516581	SAFETY HOOK W/LATCH 1/2"	2	
3	EM70186	JACK STAND, FRONT	2	
4	EM517742	GUARD, SHUTTLE CYLINDER	1	
5	492491	SCREW SET	1	
6	6109160	NUT, HEX 1/2" DIA. NC	3.....	REPLACES P/N 492556
7	0202	SCREW, HHC 5/16" X 18" X 1"	10.....	REPLACES P/N 492364
8	EM923023	WASHER, FLAT 5/16"	12.....	REPLACES P/N 492597
9	2105164	NUT, NYLON 5/16"-18	6.....	REPLACES P/N 492582
10	EM26536	LIGHT, TAIL, BRAKE	2	
13	518026	FENDER WHEEL, LEFT	1	
14	518025	FENDER WHEEL, RIGHT	1	
15	803692	BOLT, 1/2" X 3/4" NC GRD. 5	10	
16	6109180	WASHER, LOCK 1/2" DIA.	10.....	REPLACES P/N 492626
17	EM963055	BOLT, 3/8" DIA.	3.....	REPLACES P/N 492373
18	0166 A	WASHER, LOCK 3/8" DIA.	3.....	REPLACES P/N 492624
19	801130	CLAMP HOSE	2	
20	492356	BOLT, 1/4" X 3/4"	2	
21	2101402	WASHER, LOCK 1/4" DIA.	4.....	REPLACES P/N 492622
22	2101428	NUT, HEX 1/4"-20	2.....	REPLACES P/N 492561
24	517860	SUPERIOR SENSORS SUPPORT	1	
25	517861	LOWER SENSORS SUPPORT	1	
26	6109180	WASHER, LOCK 1/2" DIA.	2.....	REPLACES P/N 492626
27	EM504456	BOLT, 1/2"-13 X 3/4" HEX GRD. 8	2	
28	EM25610	JACKSTAND, SWIVEL TRAILER	1	

AXLE/BRAKE LINE ASSEMBLY

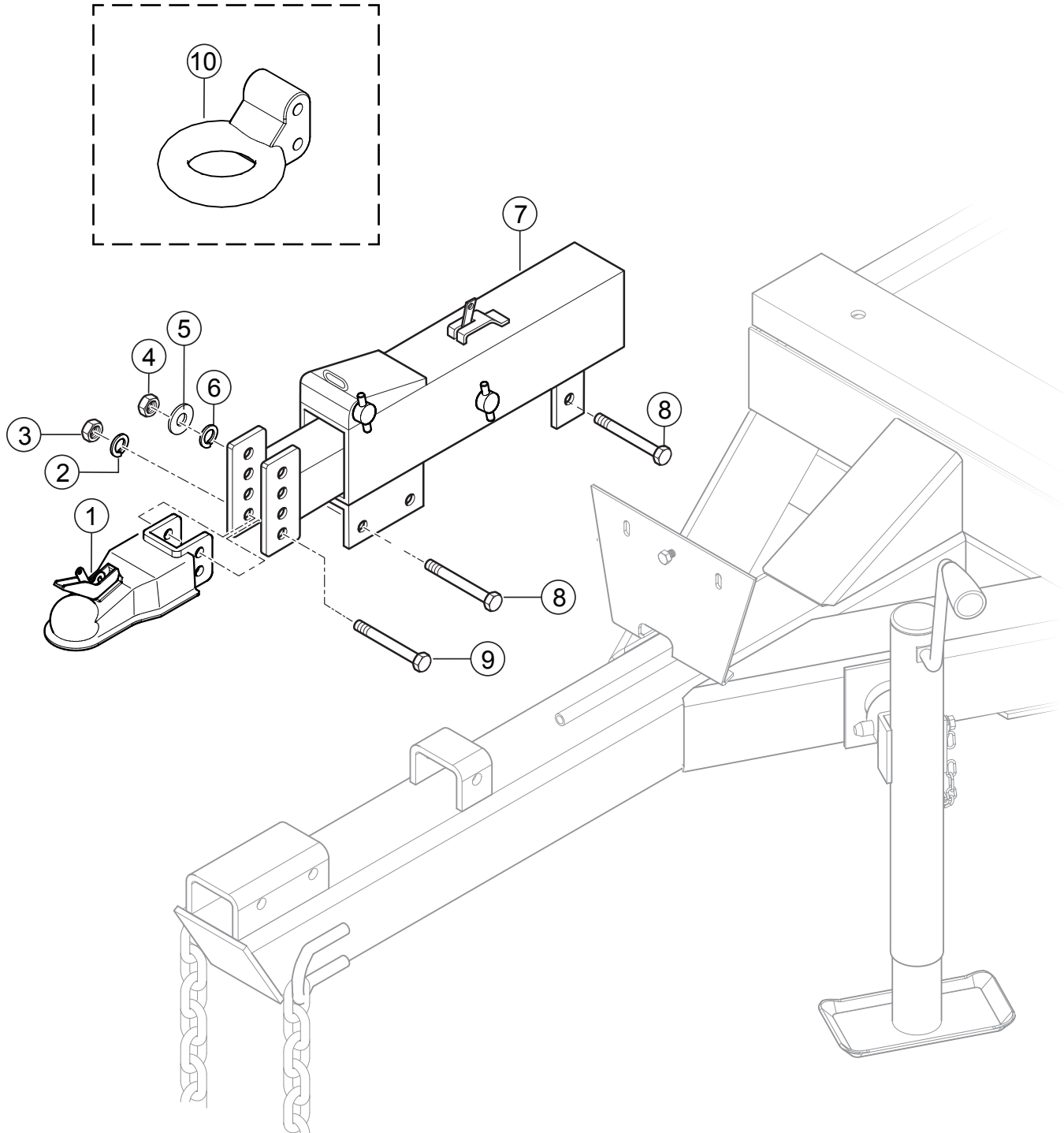


AXLE/BRAKE LINE ASSEMBLY

<u>NO.</u>	<u>PART NO.</u>	<u>PART NAME</u>	<u>QTY.</u>	<u>REMARKS</u>
1	EM512877	ADAPTER, STRAIGHT	2	
2	EM512876	ADAPTER, ELBOW	2	
3	34566	KIT, TORSION AXLE	1	
4	34565	KIT, HYDRAULIC BRAKE LINE	1	
5	EM963692	BOLT, 1/2" X 1-1/2" UNC	4.....	REPLACES P/N 492394
6	EM621	WASHER, 1/2" SPECIAL	8	
7	EM26519	NUT, LUG CHROME	12	
8	EM26520	CAP 15" CHROME	2	
9	516479	WHEEL, TIRE/RIM	2	
10	6109160	NUT, HEX 1/2" DIA. NC	4.....	REPLACES P/N 492556
11	EM516931	AXLE ASSEMBLY	1	

TRAILER HITCH ASSEMBLY

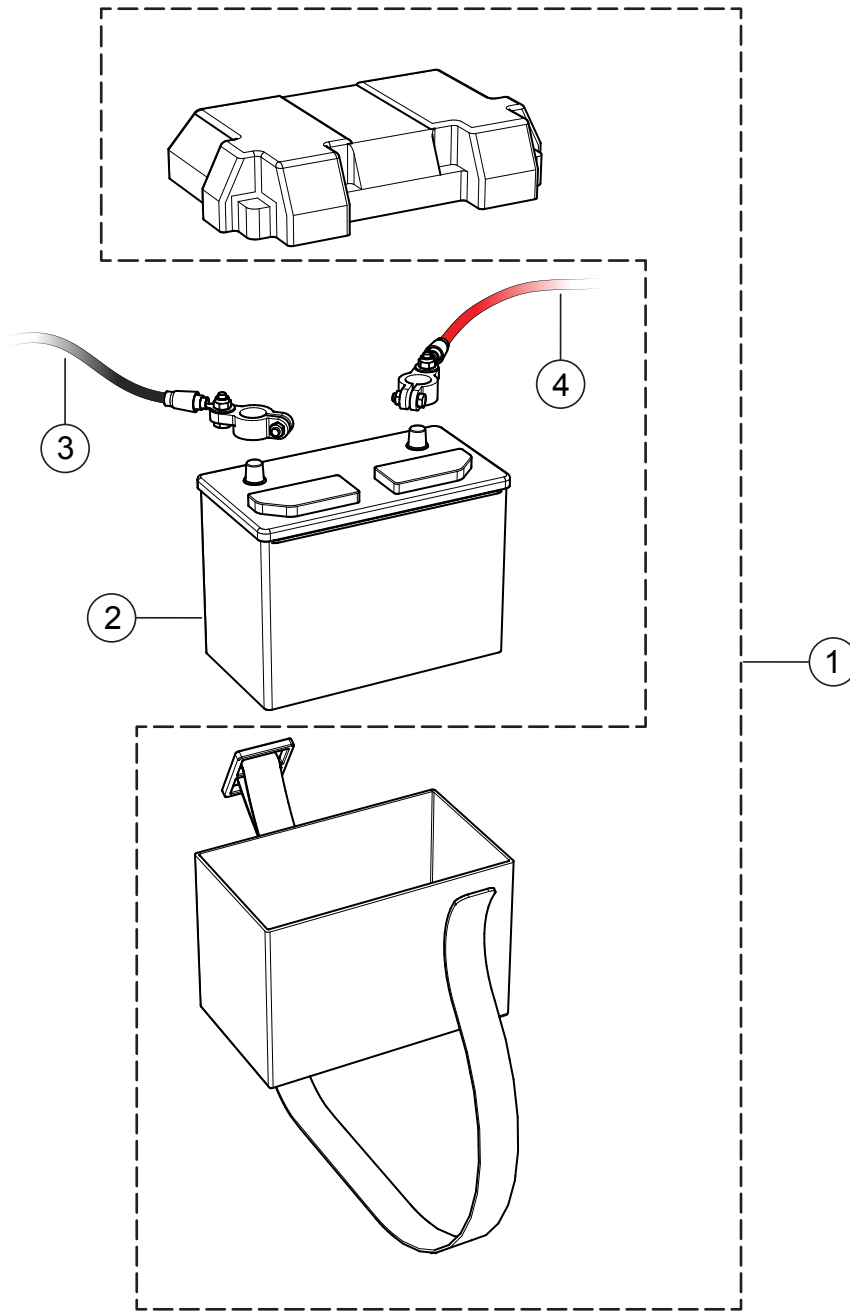
OPTIONAL TOW RING



TRAILER HITCH ASSEMBLY

<u>NO.</u>	<u>PART NO.</u>	<u>PART NAME</u>	<u>QTY.</u>	<u>REMARKS</u>
1	29228	BALL COUPLER, 2" ADJUSTABLE, 8000#	1	
2	EM923348	WASHER, LOCK 5/8" DIA.	2.....	REPLACES P/N 492627
3	EM968013	NUT, 5/8" DIA. NC GRD. 5	2.....	REPLACES P/N 492557
4	6109160	NUT, HEX 1/2" DIA. NC	3.....	REPLACES P/N 492556
5	6109170	WASHER, FLAT 1/2" DIA.....	3.....	REPLACES P/N 492600
6	6109180	WASHER, LOCK 1/2" DIA.	3.....	REPLACES P/N 492626
7	19067	ACTUATOR, BRAKE	1	
8	518257	BOLT, HEX HD 1/2" X 4-1/2" NC GRD. 8	3	
9	518256	BOLT, HEX HD 5/8" X 4-1/2" NC GRD. 8	2	
10	29369	COUPLER, 3" PINTLE EYE, 14,000 LBS.....	1.....	OPTION

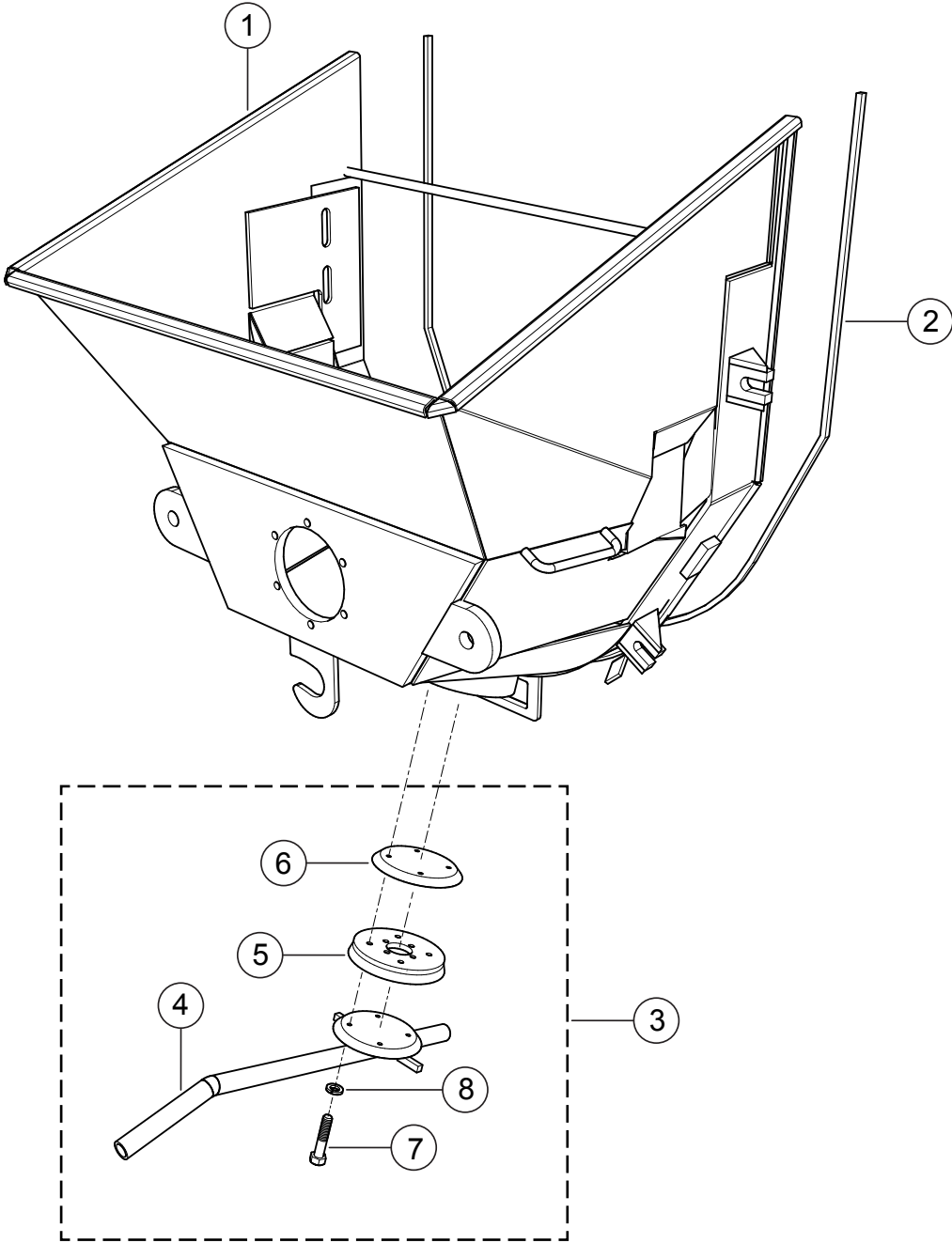
BATTERY ASSEMBLY



BATTERY ASSEMBLY

<u>NO.</u>	<u>PART NO.</u>	<u>PART NAME</u>	<u>QTY.</u>	<u>REMARKS</u>
1	10318	BATTERY BOX W/BELT	1	
2	520520	BATTERY 12V.....	1.....	OBTAIN LOCALLY
3	515118	BATTERY CABLE, NEGATIVE	1	
4	804039	BATTERY CABLE, POSITIVE	1	

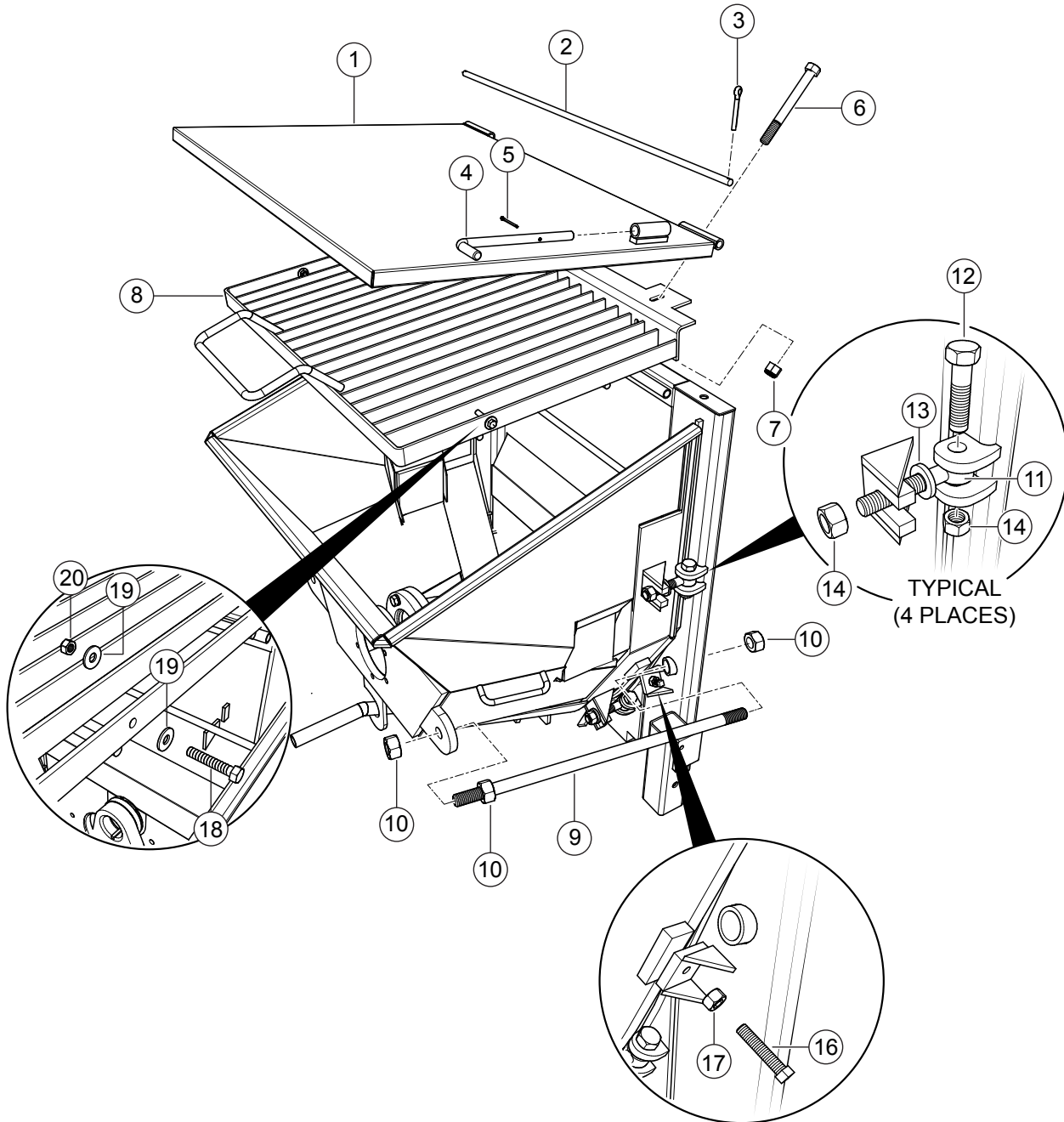
HOPPER ASSEMBLY



HOPPER ASSEMBLY

<u>NO.</u>	<u>PART NO.</u>	<u>PART NAME</u>	<u>QTY.</u>	<u>REMARKS</u>
1	EM517753	HOPPER ASSEMBLY	1	
2	EM16184	SEAL HOPPER 3/8" X 1/2"	1	
3	EM70860	HOPPER CLEANOUT PLUG ASSEMBLY	1.....	INCLUDES ITEMS W/\$
4\$	EM508830	HANDLE	1	
5\$	EM50417	CUP SPECIAL	1	
6\$	EM708601	PISTON CUP HOLDER	1	
7\$	492378	BOLT, HHCS GRD. 5	4	
8\$	0166 A	WASHER, LOCK 3/8" DIA.	4.....	REPLACES P/N 492624

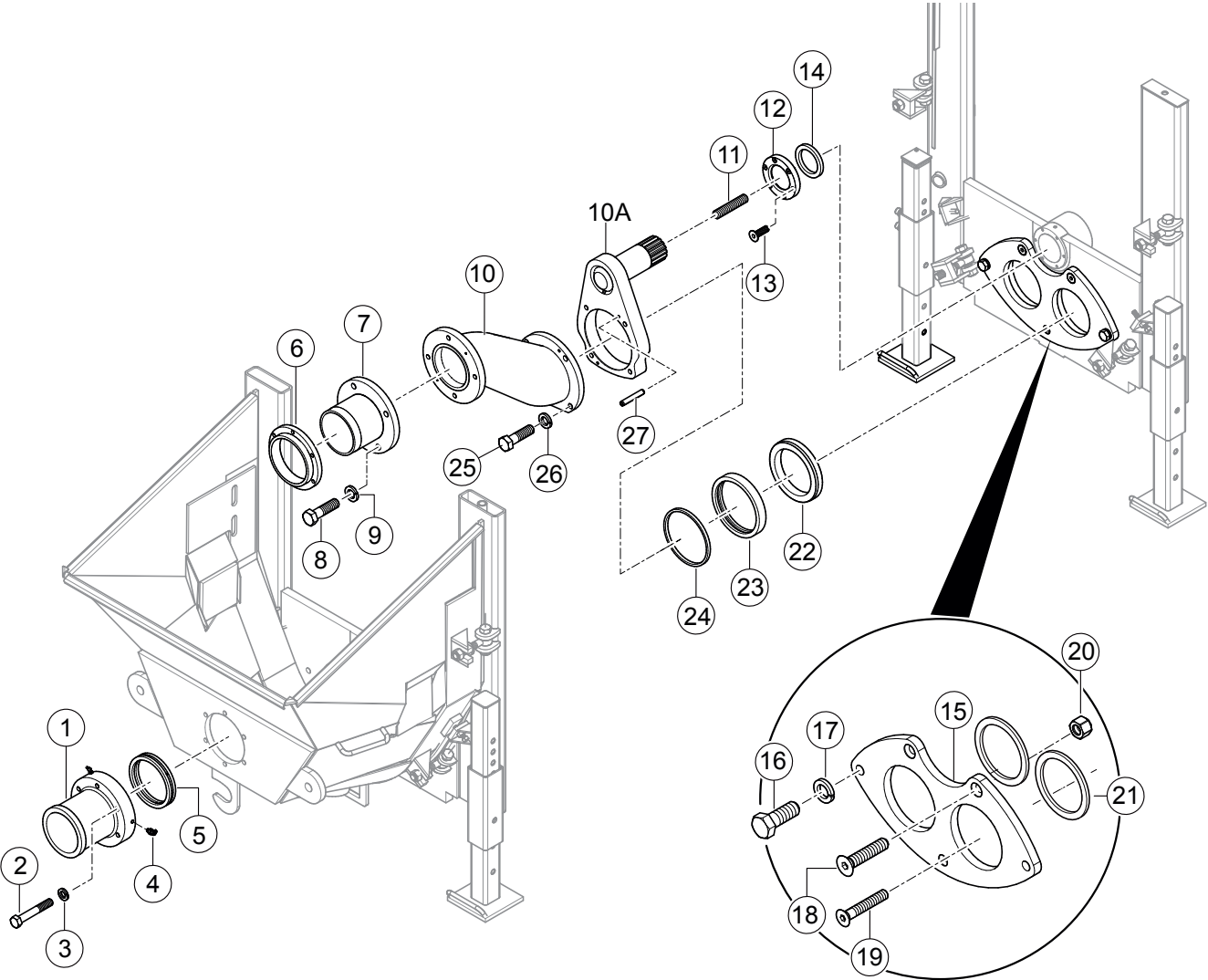
HOPPER ATTACHMENT ASSEMBLY



HOPPER ATTACHMENT ASSEMBLY

<u>NO.</u>	<u>PART NO.</u>	<u>PART NAME</u>	<u>QTY.</u>	<u>REMARKS</u>
1	EM514204	COVER SPLASH	1.....	REPLACES P/N 514204
2	EM514620	PIN, HINGE.....	1.....	REPLACES P/N 514620
3	EM491686	PIN, COTTER	2.....	REPLACES P/N 491686
4	EM70134-2	PIN, SPLASH PLATE	1	
5	EM505723	PIN, COTTER 5/32" X 1-1/2"	1.....	REPLACES P/N 505723
6	515395	BOLT, 7/16" X 4" NC GRD. 5	2	
7	505081	NUT HEX 7/16"	2	
8	EM514357	GRATE	1	
9	EM16166	TIE ROD	2	
10	EM424	NUT HEX 1" NC.....	6.....	REPLACES P/N 505728
11	EM14165	BOLT EYE	4	
12	505121	BOLT 3/4" X 3"	4	
13	EM619	WASHER 3/4"	4	
14	EM968446	NUT HEX 3/4"	8.....	REPLACES P/N 492558
16	505123	BOLT HEX 1/2" X 2-1/2"	2	
17	6109160	NUT HEX 1/2"	2.....	REPLACES P/N 492556
18	492379	SCREW CAP 3/8"	2	
19	3019092	WASHER, FLAT 3/8"	4.....	REPLACES P/N 492598
20	EM969013	NUT, NYLOC.....	2.....	REPLACES P/N 492583

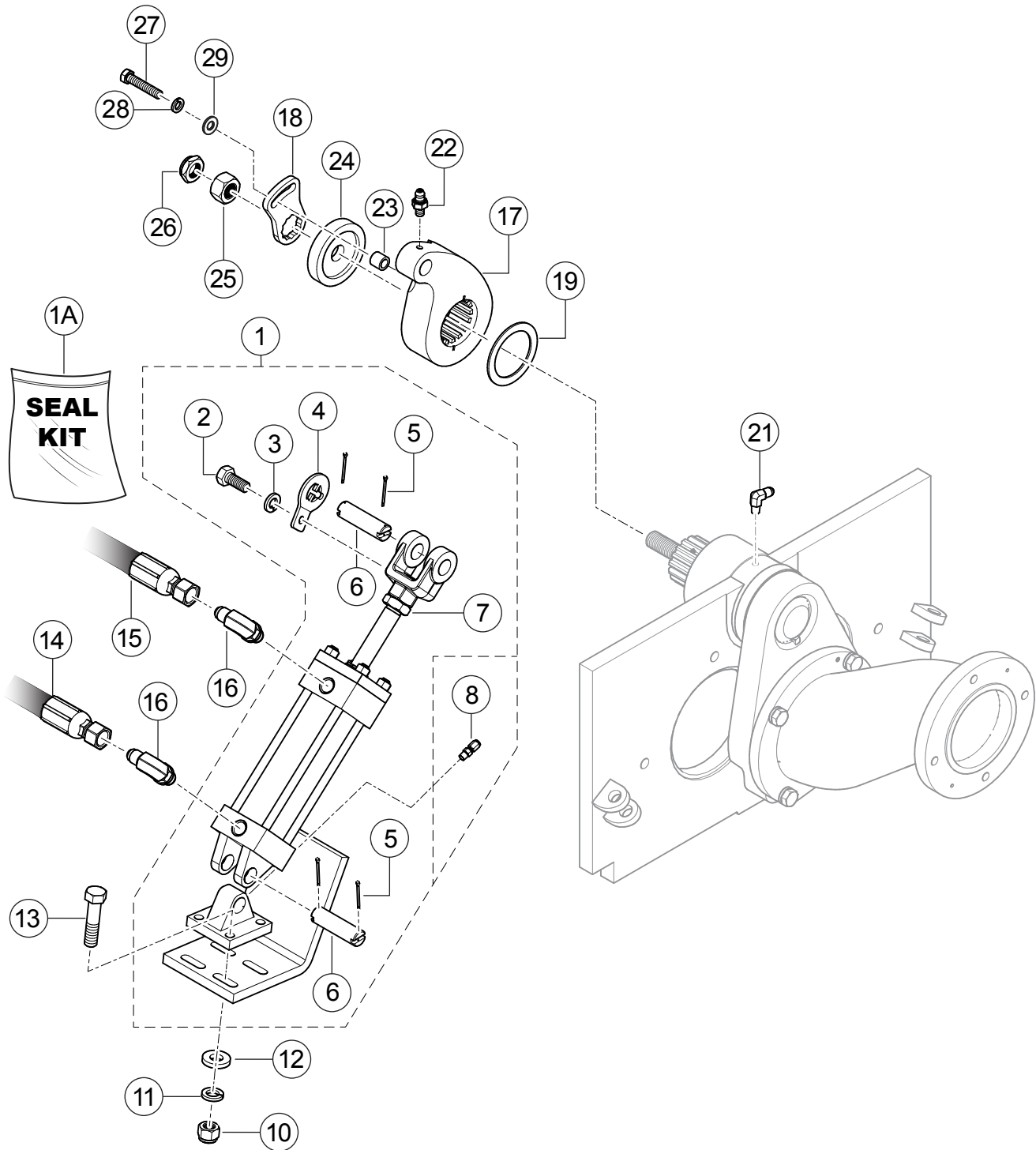
HOPPER INTERIOR ASSEMBLY



HOPPER INTERIOR ASSEMBLY

<u>NO.</u>	<u>PART NO.</u>	<u>PART NAME</u>	<u>QTY.</u>	<u>REMARKS</u>
1	EM512212	DISCHARGE NIPPLE	1	
2	EM210	BOLT, HEX HEAD	6	
3	6109180	WASHER, LOCK 1/2" DIA.	6.....	REPLACES P/N 492626
4	491701	GREASE FITTING	3	
5	EM98065	GROOVED SEAL	1	
6	EM25803	BEARING, DISCHARGE PLATE	1	
7	EM16804	SLEEVE, 5"	1	
8	EM104	BOLT, HEX HEAD 5/8"-11 X 2"	4.....	REPLACES P/N 503982
9	EM923348	WASHER, LOCK 5/8"	4.....	REPLACES P/N 492627
10	EM16811	SHUTTLE CYLINDER	1	
10A	EM25843	NUN PLATE	1	
11	EM284	STUD, 1"-14 X 5" GRD. 8	1	
12	800427	RETAINER PLATE	1	
13	506176	BOLT, 5/16"-18 X 1" FHAS	6	
14	800426	RUBBER SEAL	1	
15	EM98021A	PLATE WEAR, ONE SIDED.....	1.....	REPLACES P/N EM98021
16	EM151	HHCS 3/4" X 2 GRD. 5.....	2.....	REPLACES P/N 509078
17	492628	WASHER, LOCK 3/4"	2	
18	EM265	BOLT, 5/8"-11 X 3" COUNTERSUNK	2	
19	EM264	BOLT, 1/2"-13 X 3" COUNTERSUNK	1	
20	EM969023	NUT, LOCK 5/8"	2.....	REPLACES P/N 492586
21	EM517700	O-RING	2	
22	EM98022	WEAR RING H/F	1	
23	EM168161A	RING, ENERGIZER RUBBER	1	
24	EM168162	RING, INSERT STEEL	1	
25	EM104	BOLT, HEX HD 5/8" X 2"	4	
26	EM923348	WASHER, LOCK 5/8"	4	
27	419719	PIN	1	

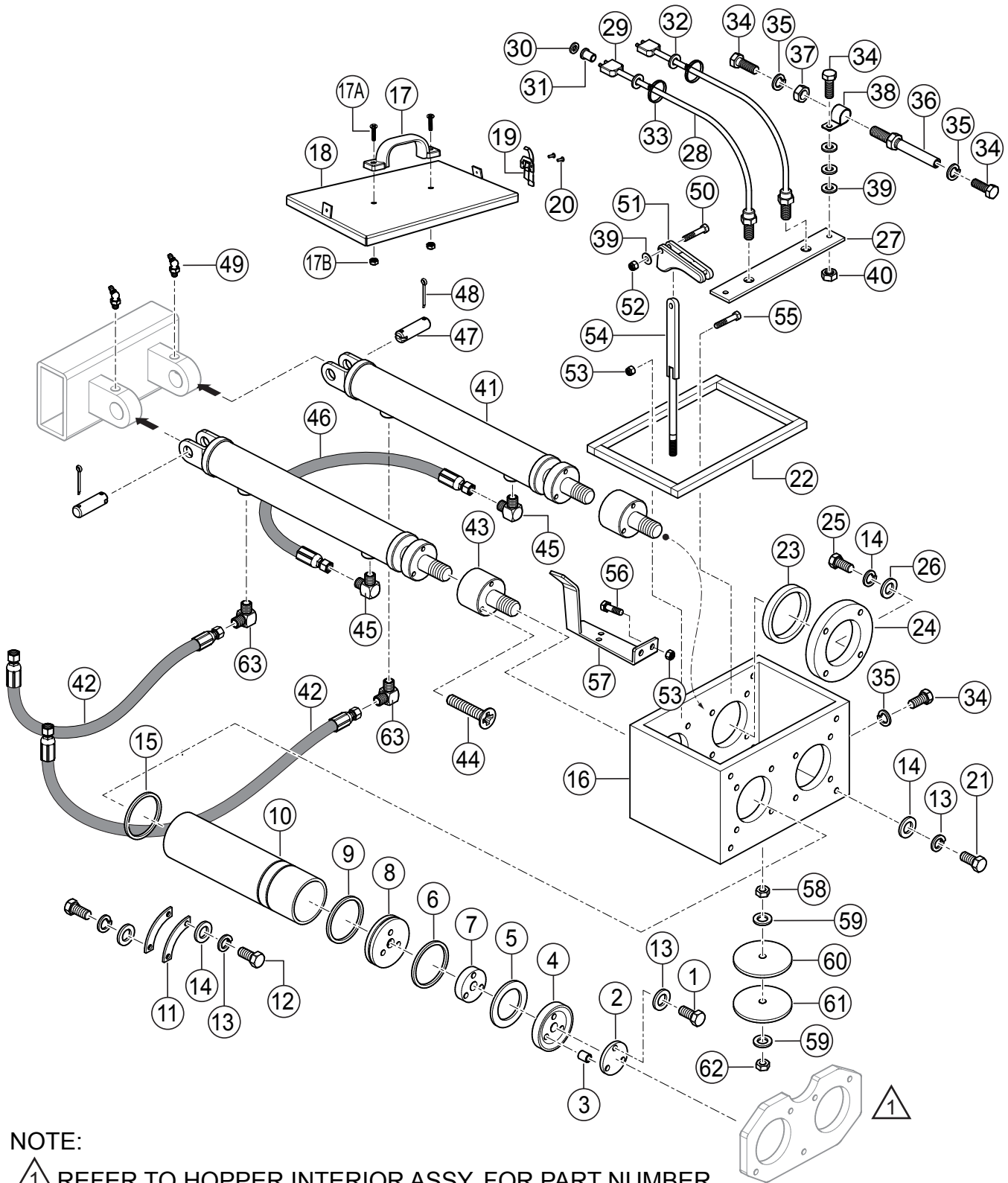
SHUTTLE CYLINDER ASSEMBLY



SHUTTLE CYLINDER ASSEMBLY

<u>NO.</u>	<u>PART NO.</u>	<u>PART NAME</u>	<u>QTY.</u>	<u>REMARKS</u>
1	EM98205	CYLINDER SHUTTLE ASSY.	1.....	INCLUDES ITEMS W/\$
1A	EM98106SK	SEAL KIT, SHUTTLE CYLINDER	1	
2\$	492363	BOLT 5/16" DIA. NC X 3/4" GRD. 5	1	
3\$	EM923343	WASHER, LOCK 5/16"	1.....	REPLACES P/N 492623
4\$	802009	LOCK	1	
5\$	EM924008	PIN, COTTER 1/8" X 1-1/2"	2.....	REPLACES P/N 491688
6\$	521139	WRIST PIN	2	
7\$	515249	NUT, JAM 1"-14	1	
8\$	EM510684	GREASE FITTING	1.....	REPLACES P/N 510684
10	492584	NUT, LOCK 1/2" DIA. NC	4	
11	6109180	WASHER, LOCK 1/2" DIA.	4.....	REPLACES P/N 492626
12	EM621	WASHER 1/2" SPECIAL	4.....	REPLACES P/N 621
13	492397	SCREW HEX 1/2" NC X 2-1/2" GRD. 5	4	
14	803698	HOSE, HYDRAULIC 2.05 FT. (625 MM)	2.....	1 PC = 1 FT
15	803699	HOSE, HYDRAULIC 1.53 FT. (465 MM)	2.....	1 PC = 1 FT
16	3322	FITTING, 90°	2	
17	EM25236	SHUTTLE CRANK, SPLINED SHAFT	1	
18	518555	CRANK ARM NUT LOCK	1	
19	EM16169	THRUST WASHER	1	
21	EM50449	FITTING, 90° ELBOW	1	
22	EM510684	GREASE FITTING	1.....	REPLACES P/N 510684
23	518556	BUSHING, CRANK ARM	1	
24	EM16814	SHUTTLE TENSIONER	1	
25	EM509221	NUT, 1"-14 UNF, GRD 5	1	
26	EM417	NUT, FLEX LOCK 1"-14 NF GRD. 5	1	
27	EM963692	BOLT 1/2" UNC X 1-1/2"	1.....	REPLACES P/N 492394
28	492266	WASHER, LOCK 1/2"	1	
29	6109170	WASHER, FLAT 1/2"	1.....	REPLACES P/N 504322

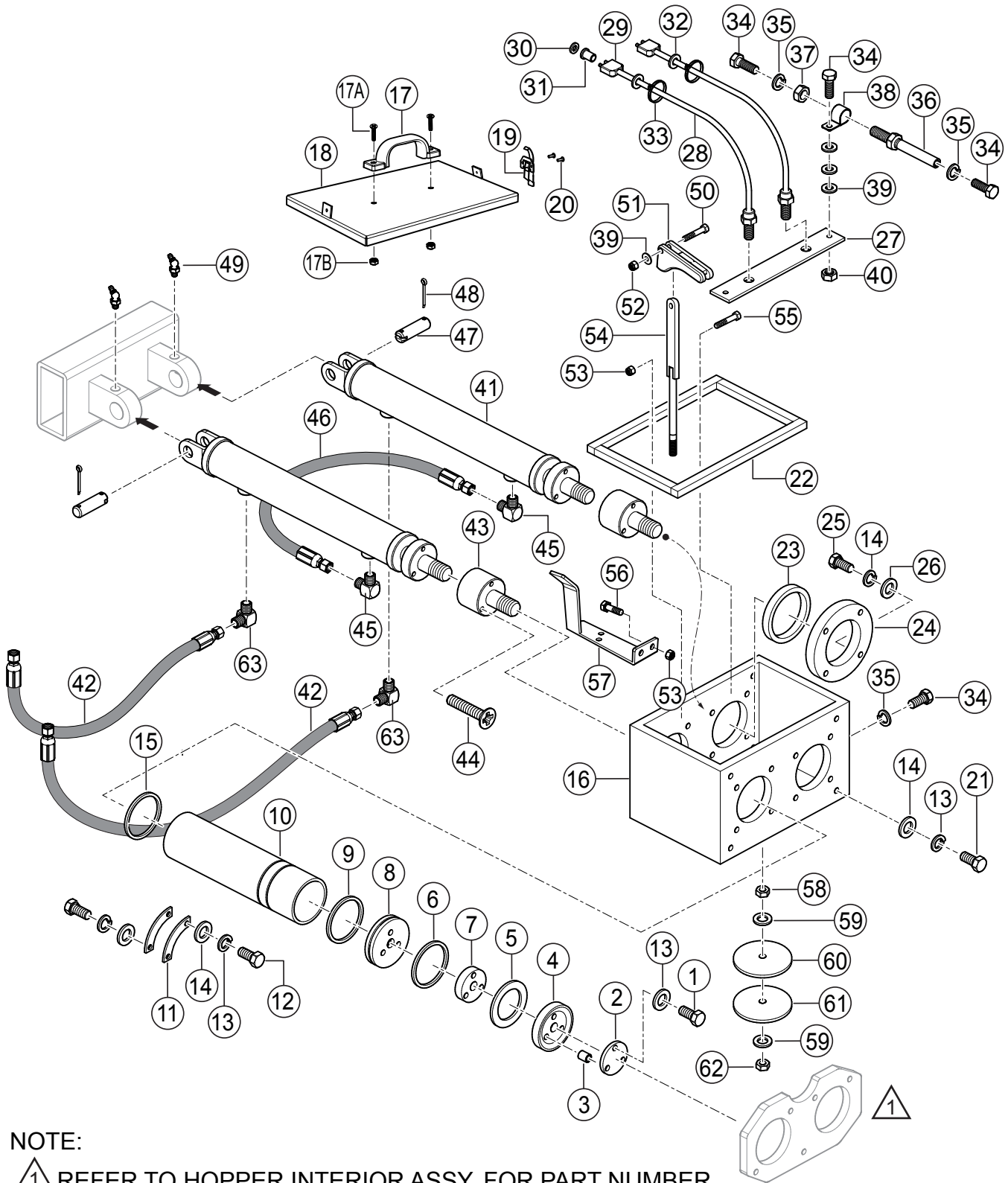
LUBRICATION PISTONS ASSEMBLY



LUBRICATION PISTONS ASSEMBLY

<u>NO.</u>	<u>PART NO.</u>	<u>PART NAME</u>	<u>QTY.</u>	<u>REMARKS</u>
1	510265	BOLT, HX HD 3/8" NC X 3-1/2" GRD. 8	6	
2	EM16454	FACE PLATE	2	
3	EM16465	PISTON CUP SPACER	6	
4	EM98050	CUP, PISTON-ORANGE	2	
5	EM14408	RING, BRONZE	2	
6	EM16493	RING, FELT	2	
7	EM16462	FELT HOLDER	2	
8	EM98033	OILER PLATE W/HOLES	2	
9	EM14407	O-RING, OILER PLATE	2	
10	EM80801	CYLINDER, CONCRETE	2	
11	EM25110	RETAINER, CYLINDER	4	
12	EM963610	CAP SCREW, 3/8" NC X 1-1/4" GRD. 8	8	
13	0166 A	WASHER, LOCK 3/8"	20	
14	3019092	WASHER, FLAT 3/8"	22	
15	EM16174	O-RING	2	
16	802761	LUBRICATION BOX	1	
17	802751	HANDLE, PLASTIC	1	
17A	513312	BOLT, 1/4" X 1"	2	
17B	492581	NUT, 1/4"-20 NYLON LOCK	2	
18	802997	COVER, LUBRICATION BOX	1	
19	EM514610	LATCH, COVER	1	
20	491754	RIVET	4	
21	492378	BOLT, 3/8" NC X 1-3/4"	6	
22	800033	SEAL, SQUARE	1	
23	EM274351	SEAL, LUBE BOX	2	
24	EM50425	FLANGE, RING	2	
25	492451	BOLT, 3/8"-24 X 1"	8	
26	EM50443	SEAL, OIL BOX	8	
27	EM514208	BAR, PROXIMITY SWITCH SUPPORT	2	
28	EM98163	SWITCH, PROXIMITY W/CABLE	2	
29	EM98135	HOUSING, FEMALE	2	
30	EM98134	SEAL, CONNECTOR HOUSING	6	
31	EM98138	TERMINAL PIN, FEMALE	6	
32	514611	GROMMET	2	
33	EM504505	TIE WRAP	8	
34	492303	SCREW, 5/16"-18 X 1-1/4"	6	
35	EM923343	WASHER, LOCK 5/16"	6	
36	EM514216	ADJUSTMENT ROD, PROX. SWITCH	2	
37	6109160	NUT, HEX 1/2"	4	
38	EM514207	BRACKET, ADJUSTMENT ROD	2	
39	923023	WASHER, FLAT 5/16"	7	
40	2105164	NUT, 5/16"	2	

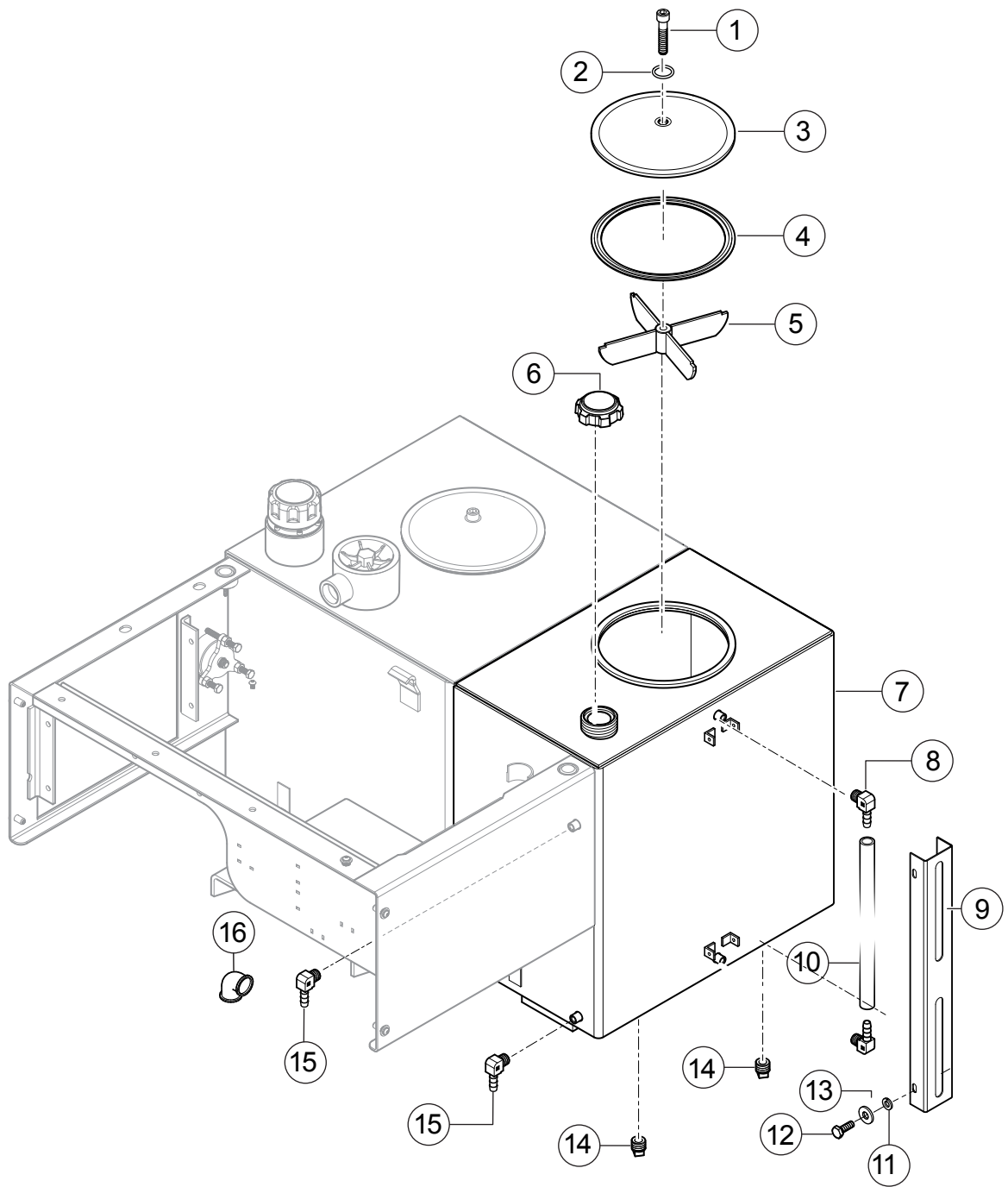
LUBRICATION PISTONS ASSEMBLY (CONT'D.)



LUBRICATION PISTONS ASSEMBLY (CONT'D.)

<u>NO.</u>	<u>PART NO.</u>	<u>PART NAME</u>	<u>QTY.</u>	<u>REMARKS</u>
41	EM804423A	CYLINDER, HYDRAULIC MAIN	2	
42	EM514920	HOSE, HYD. MAIN CYL. 1.45 FT. (445 MM).....	2	1 PC = 1 FT.
43	EM514202	EXTENSION SPACER	2	
44	EM185	BOLT, SOCKET HEAD 3/8"-16 X 3"	6	
45	EM25497	FITTING, 90°	2	
46	514067	HOSE, HYDRAULIC SLAVE	1	
47	EM16459	PIN, WRIST	2	
48	EM505723	PIN, COTTER	4	
49	EM491701	FITTING, GREASE	2	
50	492379	SCREW, CAP 3/8"	1	
51	802678	LEVER, RELEASE	1	
52	EM969013	NUT, NYLOC 3/8" NC	1	
53	2105164	NUT, NYLOC 5/16"-18	1	
54	802677	PLUNGER, ROD	1	
55	2105162	BOLT, 5/16" NC X 1-3/4" GRD. 5	2	
56	0202	SCREW, HHC 5/16"-18 X 1" ZN	2	
57	802850	BRACKET, HOSE	1	
58	802955	NUT	1	
59	492599	WASHER, 1/2"	2	
60	802682	RUBBER SEAL	1	
61	802681	SEAL PLATE	1	
62	492584	NUT, LOCK 1/2"	1	
63	EM516411	FITTING, 90°	2	

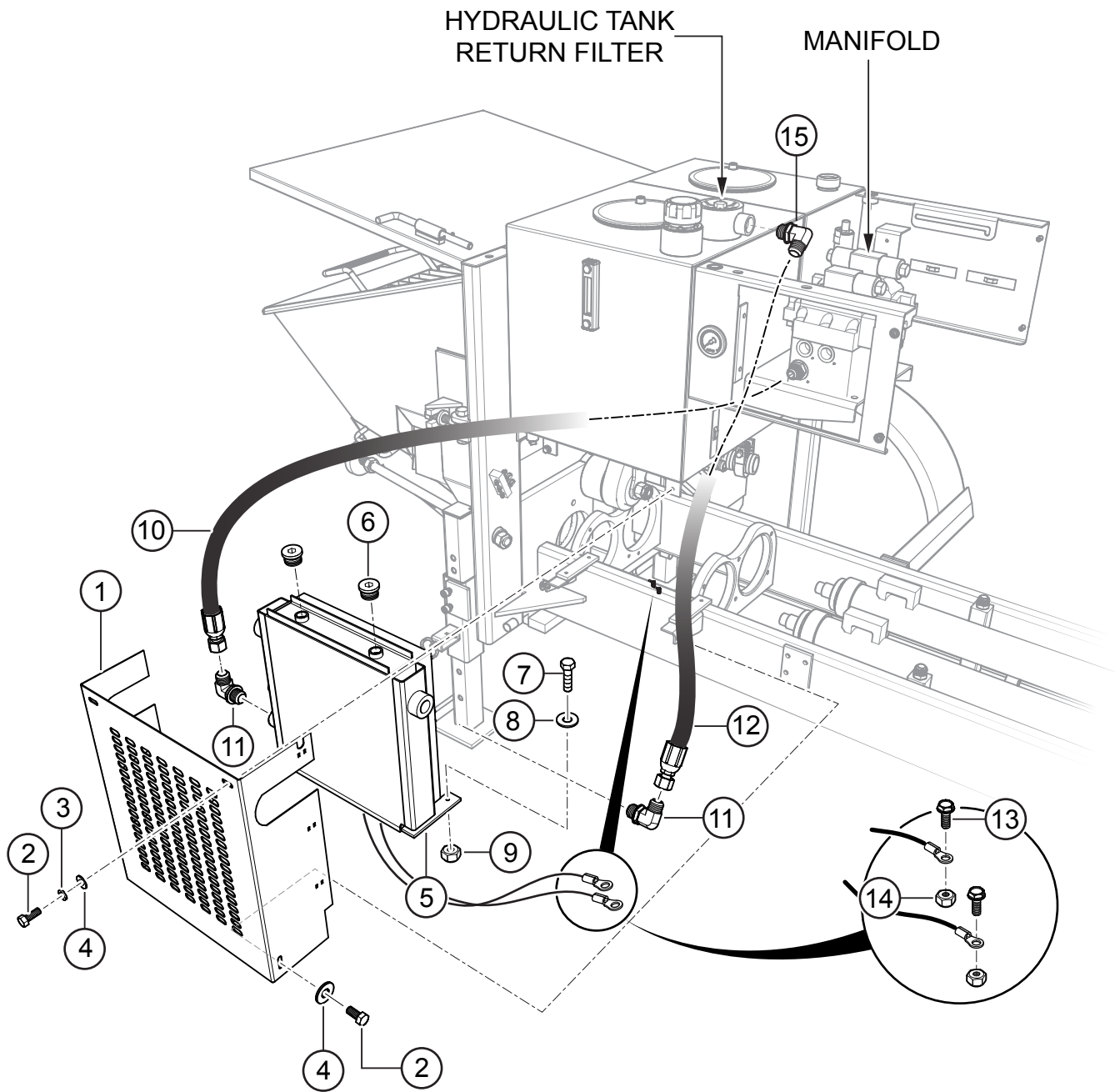
FUEL TANK ASSEMBLY



FUEL TANK ASSEMBLY

<u>NO.</u>	<u>PART NO.</u>	<u>PART NAME</u>	<u>QTY.</u>	<u>REMARKS</u>
1	505990	BOLT, 5/16" X 2-1/2"	1	
2	520343	O-RING	3	
3	EM800299	COVER	1	
4	EM801789	O-RING	1	
5	EM800301	RETAINER	1	
6	42799	CAP, FUEL TANK	1	
7	803675	TANK, HYDRAULIC/FUEL	1	
8	EM20426	ELBOW, BRASS 90° 1/4" X 1/4"	2	
9	516878	GUARD BRACKET FUEL TUBE	1	
10	518067	TUBE, FUEL	1	
11	2101402	WASHER LOCK 1/4" DIA.	4	REPLACES P/N 492622
12	DULT100443	BOLT M6 X 20 GRD. 2	4	
13	DULT100531	WASHER, FLAT M6	4	
14	506094	PLUG 1/2" NPT GALVANIZED	2	
15	513955	FITTING, 90° 1/4"	2	
16	EM491664	ELBOW, 3/4"	2	REPLACES P/N 491664

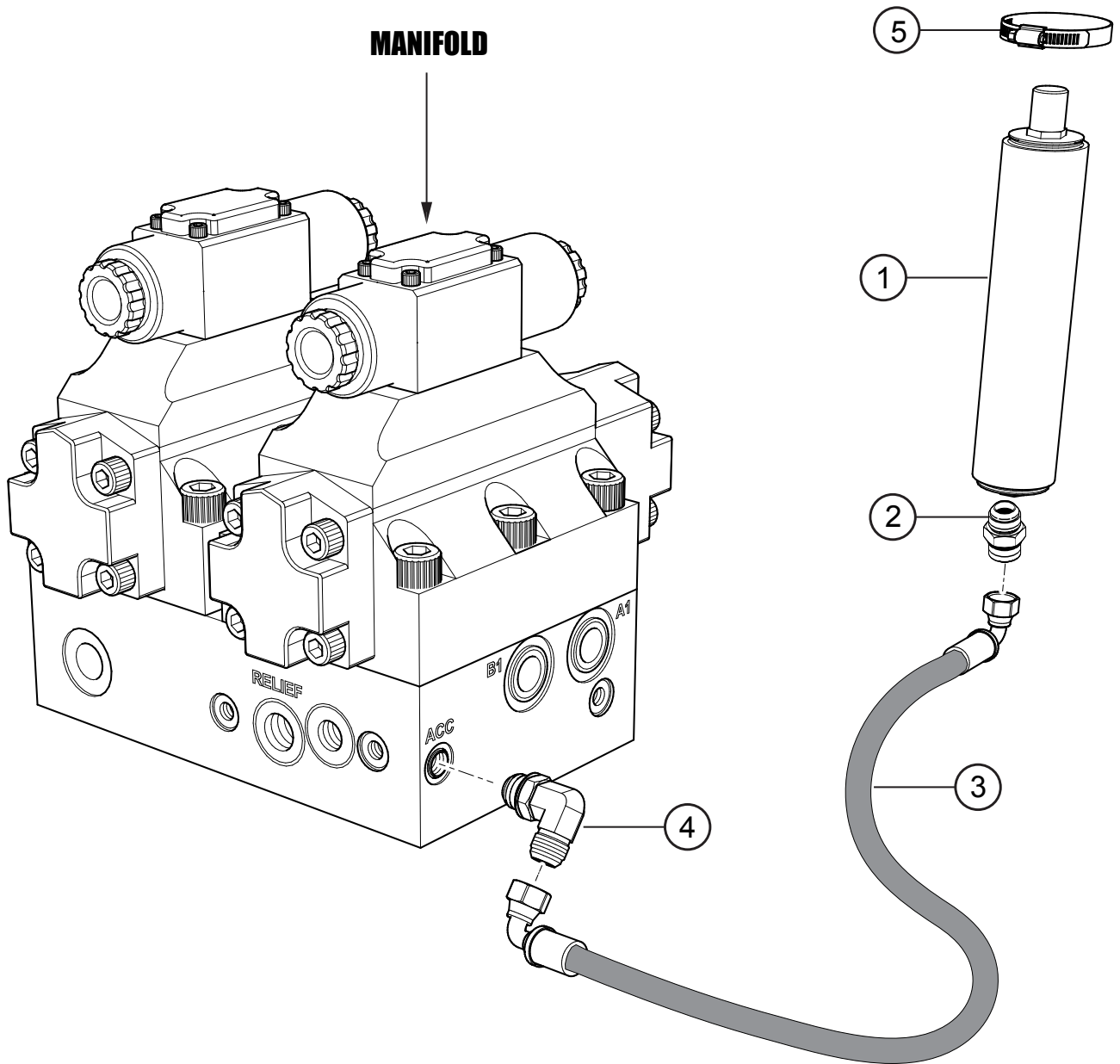
HEAT EXCHANGER ASSEMBLY



HEAT EXCHANGER ASSEMBLY

<u>NO.</u>	<u>PART NO.</u>	<u>PART NAME</u>	<u>QTY.</u>	<u>REMARKS</u>
1	516812	HEAT EXCHANGER COVER	1	
2	492363	BOLT, 5/16" DIA. NC X 3/4" GRD. 5	6	
3	0166 A	WASHER, LOCK 3/8"	4	
4	100531	WASHER, FLAT M6	31	
5	EM98118	HEAT EXCHANGER ASSEMBLY	1	
6	18147	ADAPTER	2	
7	0202	SCREW, HHC 5/16" X 18 X 1	10	REPLACES P/N 492364
8	EM923023	WASHER, FLAT 5/16"	12	REPLACES P/N 492597
9	2105164	NUT, NYLON 5/16"-18	6	REPLACES P/N 492582
10	518000	HOSE, HYDRAULIC 3.9 FT. (1180 MM)	1	1 PC = 1 FT
11	EM25497	FITTING	4	
12	518001	HOSE, HYDRAULIC 2.0 FT. (610 MM)	1	1 PC = 1 FT
13	512367J	BOLT, 3/16 NC X 1/2 GRD. 2	2	
14	5031195J	NUT, 3/16" NC NYLOC	2	
15	EM18436	ELBOW, 90° MALE	1	

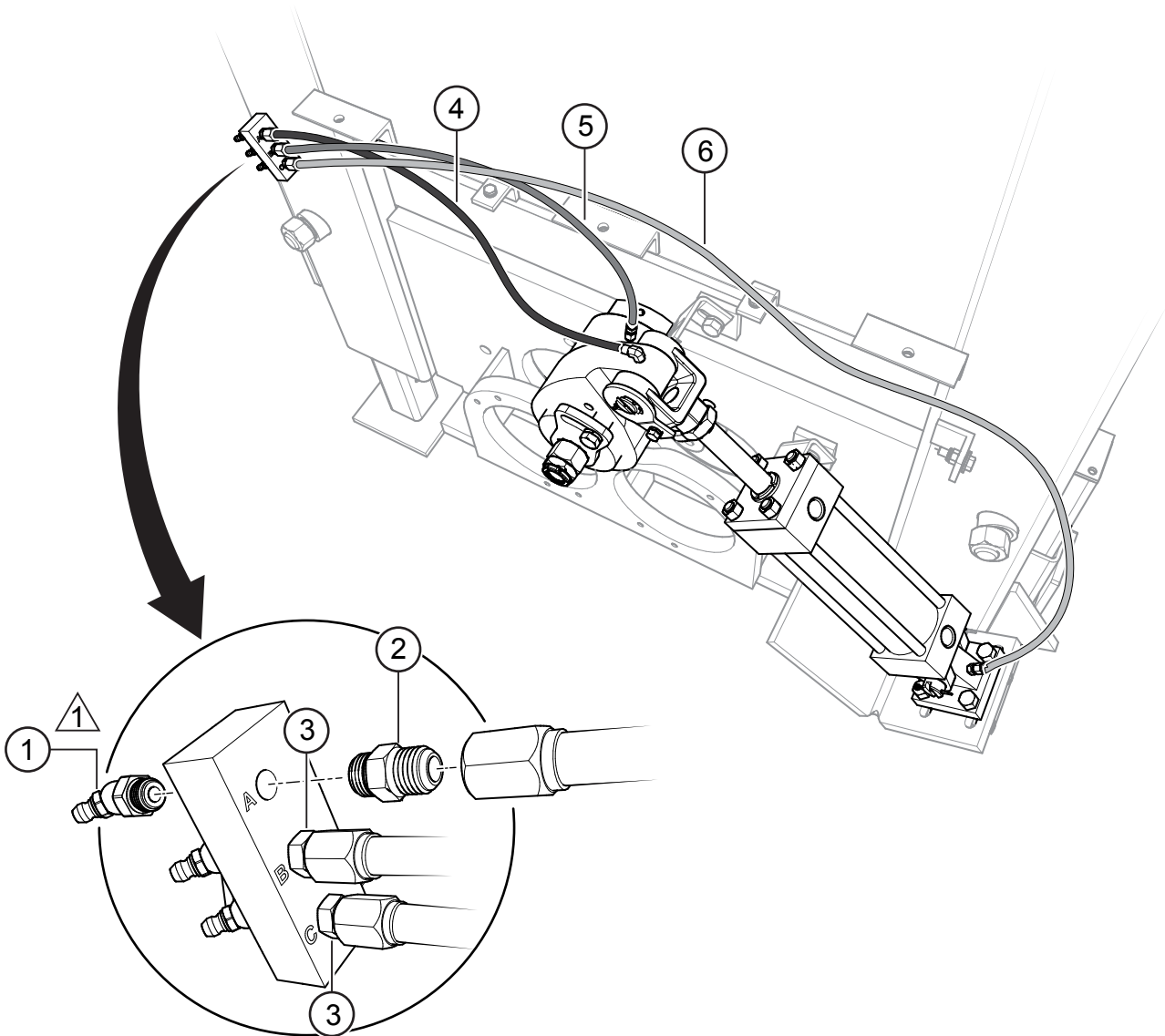
PISTON ACCUMULATOR ASSEMBLY



PISTON ACCUMULATOR ASSEMBLY

<u>NO.</u>	<u>PART NO.</u>	<u>PART NAME</u>	<u>QTY.</u>	<u>REMARKS</u>
1	EM98265	ACCUMULATOR, PISTON	1	
2	518192	STRAIGHT MALE CONNECTOR	1	
3	518009	HOSE, HYDRAULIC 2.3 FT. (692 MM)	3.....	1 PC = 1 FT
4	511803	ADAPTER, ELBOW	1	
5	513126	CLAMP	1	

LUBRICATION PANEL ASSEMBLY



POSITION	LOCATION	LENGTH OF LINES
A	CLEVIS GREASE POINT	34 in. (1.1 m)
B	SWING AXLE BUSHING GREASE POINT	26 in. (.85 m)
C	PIVOT BRACKET GREASE POINT	41 in. (1.5 m)

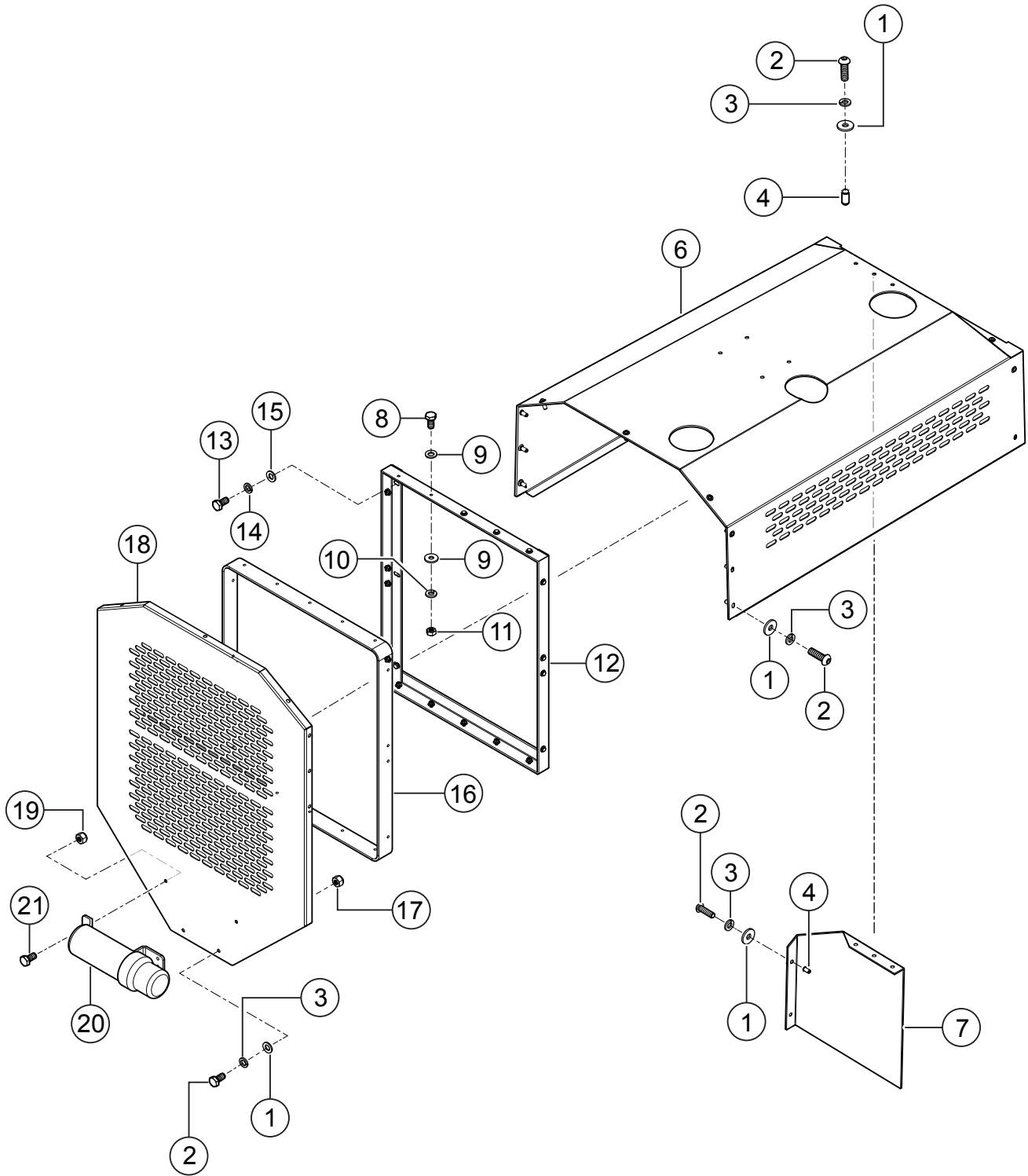
NOTE:

- 1 GREASE DAILY, TWO OR THREE SHOTS OF #2 MULTIPURPOSE AUTOMOTIVE GREASE. OVERGREASING ANY BEARING WILL NOT DAMAGE THE MACHINE. ALWAYS GREASE **BEFORE AND AFTER OPERATION.**

LUBRICATION PANEL ASSEMBLY

<u>NO.</u>	<u>PART NO.</u>	<u>PART NAME</u>	<u>QTY.</u>	<u>REMARKS</u>
1	EM491701	FITTING ZERK, GREASE	3	
2	515328	ADAPTOR, FITTING	1	
3	EM510684	FITTING	2.....	REPLACES P/N 510684
4	802639	HOSE, RUBBER	1	
5		STEEL LINE.....	AR.....	OBTAIN LOCALLY
6	EM505516	HOSE, PLASTIC 1/4"	AR.....	1 PC = 1 FT

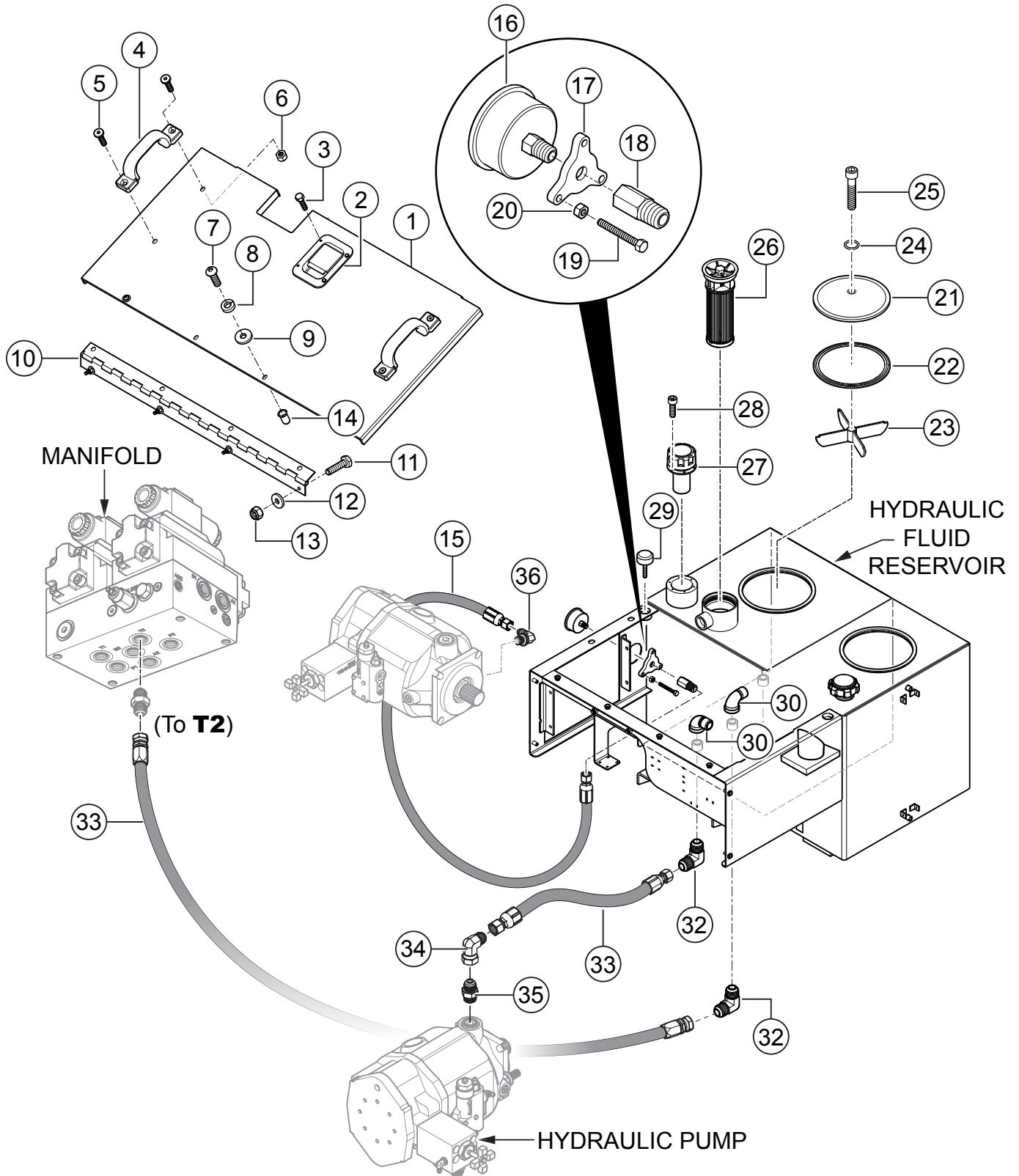
ENGINE COVER ASSEMBLY



ENGINE COVER ASSEMBLY

<u>NO.</u>	<u>PART NO.</u>	<u>PART NAME</u>	<u>QTY.</u>	<u>REMARKS</u>
1	100531	WASHER, FLAT, 1/4"	31	
2	100443	BOLT, M6 X 20	31	
3	2101402	WASHER, LOCK 1/4" DIA.	27.....	REPLACES P/N 492622
4	100602	RIVET, NUT M6	30	
6	EM803676	TOP COVER, ENGINE	1	
7	803606	HEAT DEFLECTOR	1	
8	492356	BOLT, 1/4" X 3/4"	18	
9	100531	WASHER, FLAT, 1/4"	38	
10	2101402	WASHER, LOCK 1/4" DIA.	18.....	REPLACES P/N 492622
11	2101428	NUT HEX 1/4"-20.....	18.....	REPLACES P/N 492561
12	803492	EXHAUST VENT	1	
13	100265	BOLT, M8 X 16 GRD. 8.8	6	
14	030208200	LOCK, WASHER M8.....	6.....	REPLACES P/N 506597
15	100494	WASHER, FLAT M8	6	
16	803489	RUBBER DUCT VENTILATION	1	
17	492581	NUT, 1/4"-20 NYLON LOCKNUT	4	
18	EM803486	FRONT PANEL, ENGINE	1	
19	2105164	NUT, NYLON 5/16"-18	3.....	REPLACES P/N 492582
20	23297	MANUAL HOLDER	1	
21	0202	SCREW, HHC 5/16"-18 X 1" ZN	3	

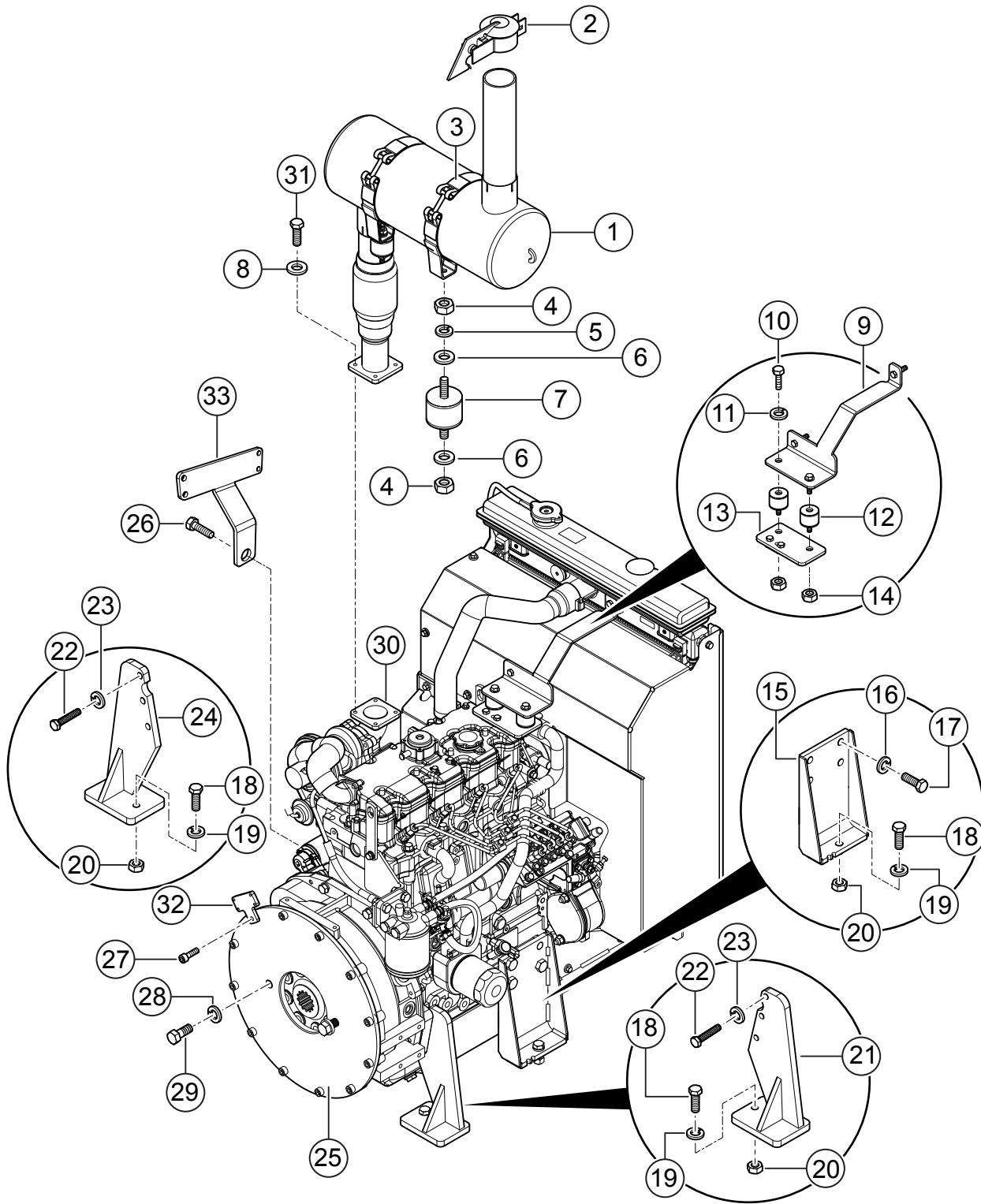
HYDRAULIC TANK ASSEMBLY



HYDRAULIC TANK ASSEMBLY

<u>NO.</u>	<u>PART NO.</u>	<u>PART NAME</u>	<u>QTY.</u>	<u>REMARKS</u>
1	803481	COVER, HYDRAULIC TANK	1	
2	802579	LOCKING LATCH	1	
3	EM503115	SCREW.....	4.....	REPLACES P/N 503115
4	802751	HANDLE, COVER	2	
5	513312	BOLT 1/4" X 1"	4	
6	492581	NUT, NYLOC 1/4"-20	4	
7	DULT100443	SCREW	21	
8	2101402	WASHER, LOCK 1/4" DIA.	4.....	REPLACES P/N 492622
9	DULT100531	WASHER, FLAT	4	
10	521262	HINGE	1	
11	492357	BOLT GRD. 8	18	
12	DULT100531	WASHER, FLAT	18	
13	492581	NUT, NYLOC 1/4"-20	38	
14	DULT100602	BLIND NUT	30	
15	803698	HOSE, HYDRAULIC 2.7 FT. (820 MM)	3.....	1 PC = 1 FT
16	EM97067	GAUGE, 5000 PSI, MAIN	1	
17	804077	BRACKET, GAUGE	1	
18	EM25523	ADAPTER, PRESSURE GAUGE	1	
19	518702	SCREW	3	
20	2105164	NUT HEX 5/16" DIA. NC.....	3.....	REPLACES P/N 492553
21	EM800299	COVER	1	
22	EM801789	O-RING	1	
23	EM800301	RETAINER	1	
24	520343	O-RING	3	
25	505990	BOLT 1/2" X 2-1/2"	1	
26	EM98245	FILTER, HYDRAULIC	1	
27	EM98263	CAP FILLER	1	
28	492267	BOLT, ALLEN 10 X 32 X 26"	6	
29	513955	RUBBER BUMPER STEM	2	
30	491164	NIPPLE, 90° 1/4"	2	
32	509784	FITTING, 90°	2	
33	518010	HOSE, HYDRAULIC 2.5 FT. (770 MM)	3.....	1 PC = 1 FT
34	509353	FITTING, 90°	1	
35	491372	FITTING, STRAIGHT	6	
36	EM25429	FITTING, 90°	1	

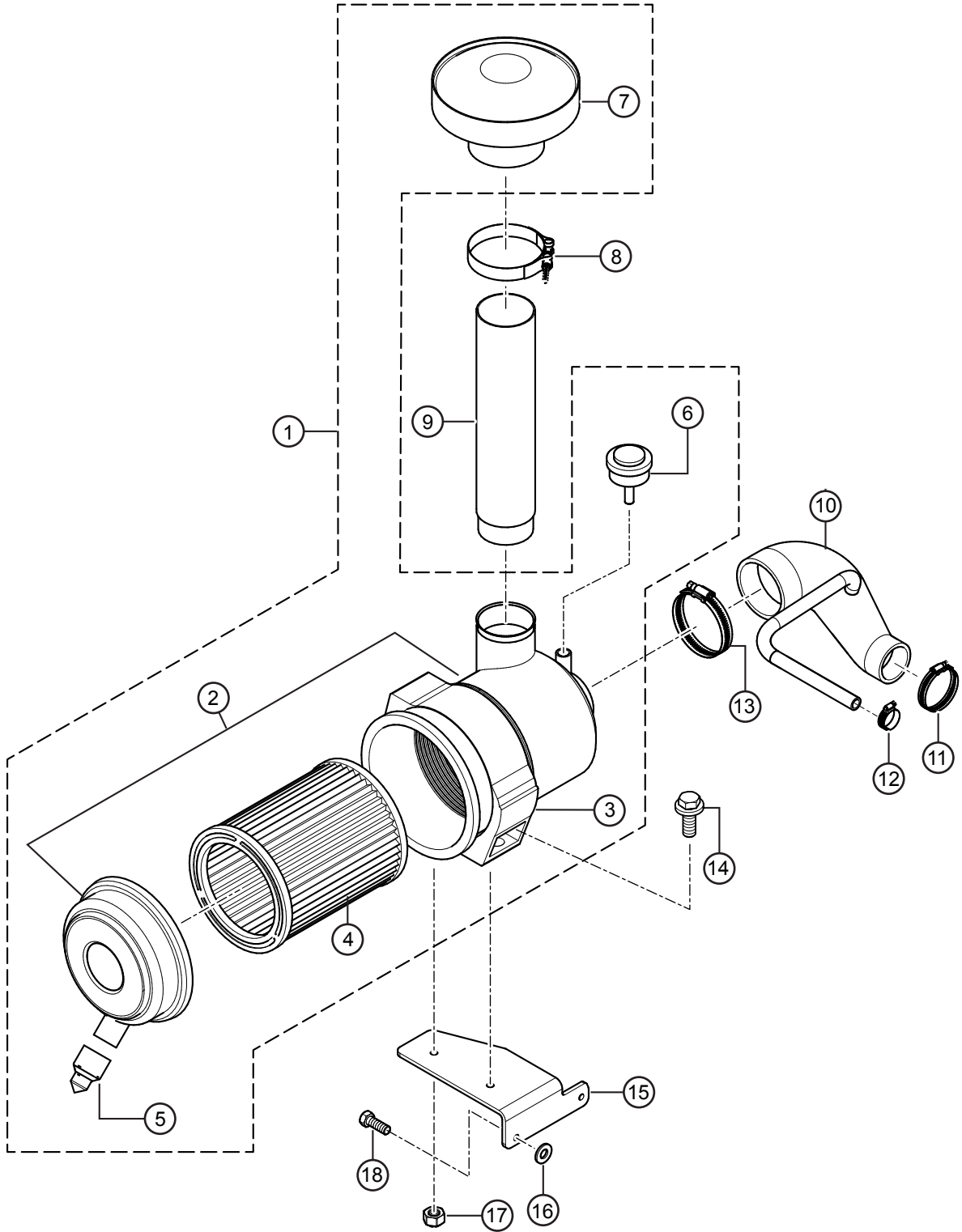
ENGINE MOUNTING EXHAUST ASSEMBLY



ENGINE MOUNTING EXHAUST ASSEMBLY

<u>NO.</u>	<u>PART NO.</u>	<u>PART NAME</u>	<u>QTY.</u>	<u>REMARKS</u>
1	803665	MUFFLER	1	
2	510897	CAP, EXHAUST PIPE	1	
3	802465	CLAMP, EXHAUST MUFFLER	2	
4	504482	NUT, HEX M10 GRD. 8	8	
5	0166 A	WASHER, LOCK 3/8" DIA.	4.....	REPLACES P/N 492624
6	3019092	WASHER, FLAT 3/8"	8.....	REPLACES P/N 506488
7	801637	CUSHION, RUBBER	4	
8	TK872229	WASHER, FLAT 3/8"	2	WHERE ON DWG???
9	803618	RADIATOR SUPPORT	1	
10	492363	BOLT, 5/16" DIA. NC X 3/4" GRD. 5	2	
11	EM923057	WASHER, FLAT 1/4"	2.....	REPLACES P/N 492596
12	EM505201	SHOCK MOUNT	2	
13	803619	SUPPORT PLATE	1	
14	2105164	NUT, NYLON 5/16"-18	2.....	REPLACES P/N 492582
15	TBD	ENGINE MOUNT, RIGHT	1	
16	TBD	WASHER, FLAT	4	
17	TBD	BOLT	4	
18	EM963692	BOLT, 1/2" UNC X 1-1/2"	4.....	REPLACES P/N 492394
19	6109180	WASHER, LOCK 1/2" DIA.	4.....	REPLACES P/N 492626
20	6109160	NUT, HEX 1/2" DIA. NC	4.....	REPLACES P/N 492556
21	803629	RIGHT, MOTOR SUPPORT	1	
22	DULT100284	BOLT, M10 X 55 GRD. 8.8	6	
23	506622	WASHER, M10 PRESSURE SS	6	
24	803630	LEFT, MOTOR SUPPORT	1	
25	521427	MOTOR-PUMP COUPLING	1	
26	TBD	BOLT	1	
27	492264	BOLT, 3/8" X 1"	12	
28	EM620	WASHER, FLAT 5/8"	4.....	REPLACES P/N 505882
29	492406	BOLT, 5/8"NC X 1-1/2", GRD. 8	4	
30	EM98281	ENGINE, PERKINS FLEX 404D-22TA	1	
31	TBD	SCREW, HHCS	4	
32	803666	SUPPORT HARNESS	2	
33	803741	HARNESS CLIP	1	

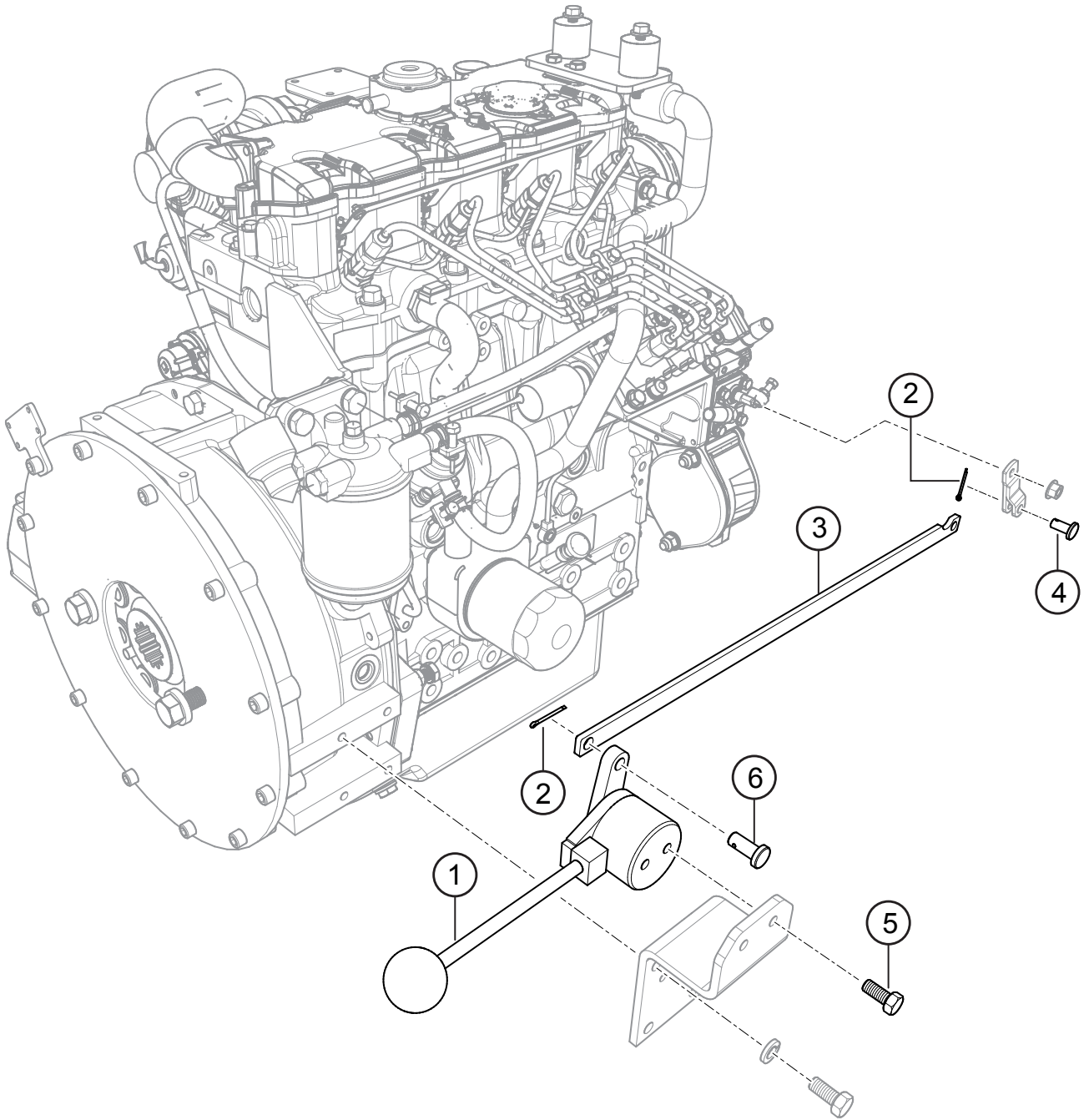
AIR FILTER ASSEMBLY



AIR FILTER ASSEMBLY

<u>NO.</u>	<u>PART NO.</u>	<u>PART NAME</u>	<u>QTY.</u>	<u>REMARKS</u>
1	135016350	AIR FILTER ASSEMBLY	1.....	INCLUDES ITEMS W/%
2%		BODY	1.....	NOT SOLD SEPARATELY
3%	26510418	BRACKET	1	
4%	135326206	AIR FILTER ELEMENT, MAIN	1	
5%	26510194	DUST VALVE	1	
6%	26510402	DUST INDICATOR	1	
7%	803914	COVER	1	
8	803728	CLAMP 3.25" DIA.	2	
9	803617	TUBE, AIR FILTER	1	
10	U35597941	HOSE, AIR FILTER	1	
11	21825194	CLAMP	1	
12	2481882	CLAMP	1	
13	0180072	CLAMP	1	
14	2314H005	SCREW	2	
15	U30976791	SUPPORT BRACKET	1	
16	199216340	SPACER	2	
17	023100008	NUT	2	
18	2314H003	SCREW	2	

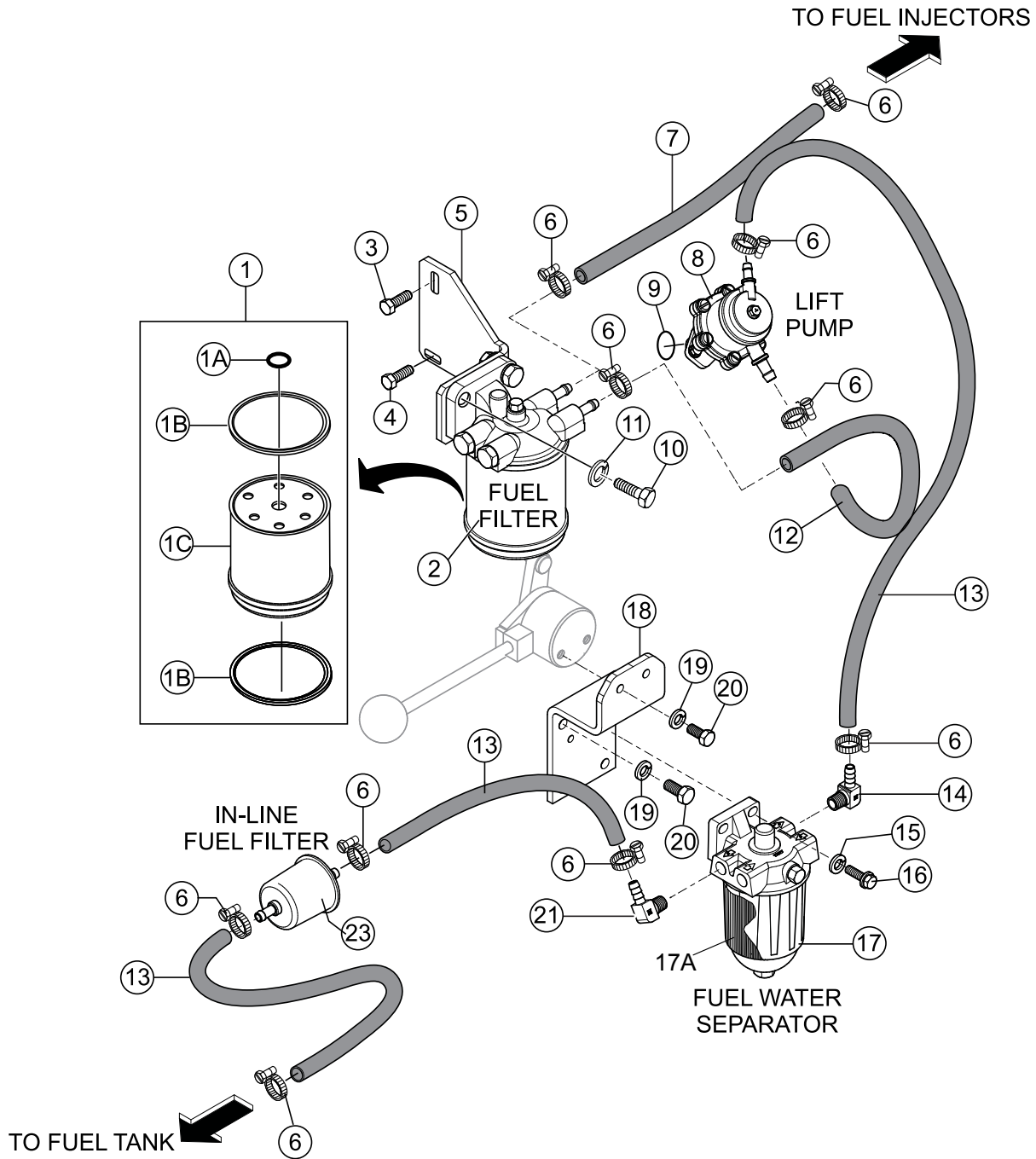
THROTTLE ASSEMBLY



THROTTLE ASSEMBLY

<u>NO.</u>	<u>PART NO.</u>	<u>PART NAME</u>	<u>QTY.</u>	<u>REMARKS</u>
1	517548	HANDLE, CONTROL ACCELERATION	1	
2	509074	PIN, COTTER 3/32"	2	
3	803669	ROD, THROTTLE	1	
4	801680	BOLT, ACTION	1	
5	492449	BOLT, 5/16" NF X 3/4" GRD. 5	2	
6	801679	BOLT, HANDLE CONTROL	1	

FUEL FILTERS/WATER SEPARATOR ASSEMBLY



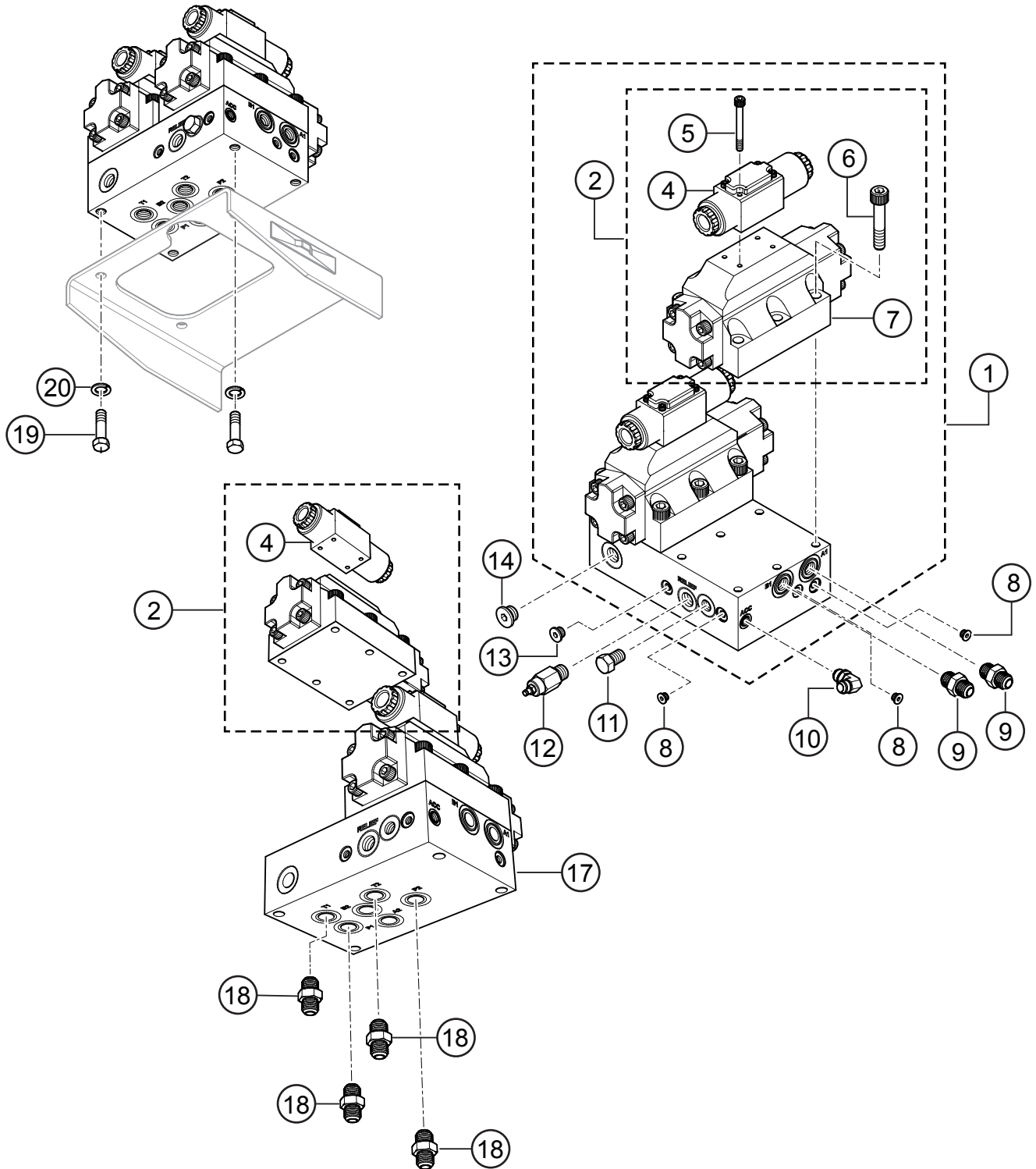
FUEL FILTERS/WATER SEPARATOR ASSEMBLY

<u>NO.</u>	<u>PART NO.</u>	<u>PART NAME</u>	<u>QTY.</u>	<u>REMARKS</u>
1	2651117	FUEL FILTER KIT	1.....	INCLUDES ITEMS W/%
1A%	2650014	SEAL/O-RING	1	
1B%	0490786	SEAL	2	
1C%		ELEMENT	1.....	NOT SOLD SEPARATELY
2	2656613	FUEL FILTER ASSEMBLY	1	
3	011510820	SCREW	1	
4	2314H003	SCREW	1	
5	TPN508	SUPPORT BRACKET	1	
6	802574	CLAMP, WORM	10	
7	T682209628	HOSE, FUEL LIFT PUMP	1	
8	130506350	LIFT PUMP	1	
9	2415A070	SEAL/O-RING	1	
10	2314J004	SCREW	2	
11	027110010	WASHER, LOCK	2	
12	T68209189	HOSE, FUEL LIFT PUMP	1	
13	514536	HOSE, 5/16"	AR	
14	514561	FITTING, 90°	1	
15	492623	WASHER, LOCK 5/16"	2	
16	011208025	BOLT 8 X 25.....	2.....	REPLACES P/N 508342
17	34505	FUEL WATER SEPARATOR	1	
17A	34505E	ELEMENT, FUEL WATER SEPARATOR	1	
18	803607	BRACKET, FUEL WATER SEPARATOR	1	
19	0166 A	WASHER, LOCK 3/8" DIA.	4.....	REPLACES P/N 492624
20	EM963055	BOLT 3/8" DIA.....	4.....	REPLACES P/N 492373
21	514561	FITTING, 90°	1	
23	802513	IN-LINE FUEL FILTER	1	

HYDRAULIC PUMP ASSEMBLY

<u>NO.</u>	<u>PART NO.</u>	<u>PART NAME</u>	<u>QTY.</u>	<u>REMARKS</u>
1	EM801362	PUMP	1	
4	514628	FLANGE, SUCTION PIPE, PUMP SIDE	1	
5	EM963692	CAP SCREW, HHCS 1/2"-13 X 1-1/2" GRD. 5	4	
6	6109180	WASHER, LOCK 1/2"	8	
7	EM25429	FITTING, 90°	2	
8	EM514627	SUCTION PIPE ADAPTER	1	
9	515207	CLAMP, ELBOW	2	
10	EM514623	HOSE, SUCTION 2"	1	
11	EM514718	SUCTION PIPE ADAPTER	1	
12	EM514719	FLANGE, SUCTION PIPE	1	
13	516675	FITTING, STRAIGHT	6	
14	509784	FITTING, 90°	2	
15	3322	FITTING, 90°	2	
16	803698	HOSE, HYDRAULIC 2.0 FT. (625 MM)	2.....	1 PC = 1 FT
17	803699	HOSE, HYDRAULIC 1.5 FT. (465 MM)	2.....	1 PC = 1 FT
20	803696	HOSE, HYDRAULIC 1.5 FT. (455 MM)	2.....	1 PC = 1 FT
21	803697	HOSE, HYDRAULIC 1.55 FT. (475 MM)	2.....	1 PC = 1 FT
22	518004	HOSE, HYDRAULIC 2.0 FT. (620 MM)	2.....	1 PC = 1 FT
28	516875	HOSE, HYDRAULIC 1.6 FT. (500 MM)	2.....	1 PC = 1 FT
30	491372	FITTING, STRAIGHT	2	
31	EM801363	CONTROL VALVE, MANIFOLD	1	
32	511428	SCREW, ALLEN HD. 1/2"-13 X 3	4	
34	803693	HOSE, HYDRAULIC 2.6 FT. (780 MM)	3.....	1 PC = 1 FT
35	803694	HOSE, HYDRAULIC 2.9 FT. (890 MM)	3.....	1 PC = 1 FT
36	25459	FITTING, 90°	1	
37	514488	FITTING, 90°	1	

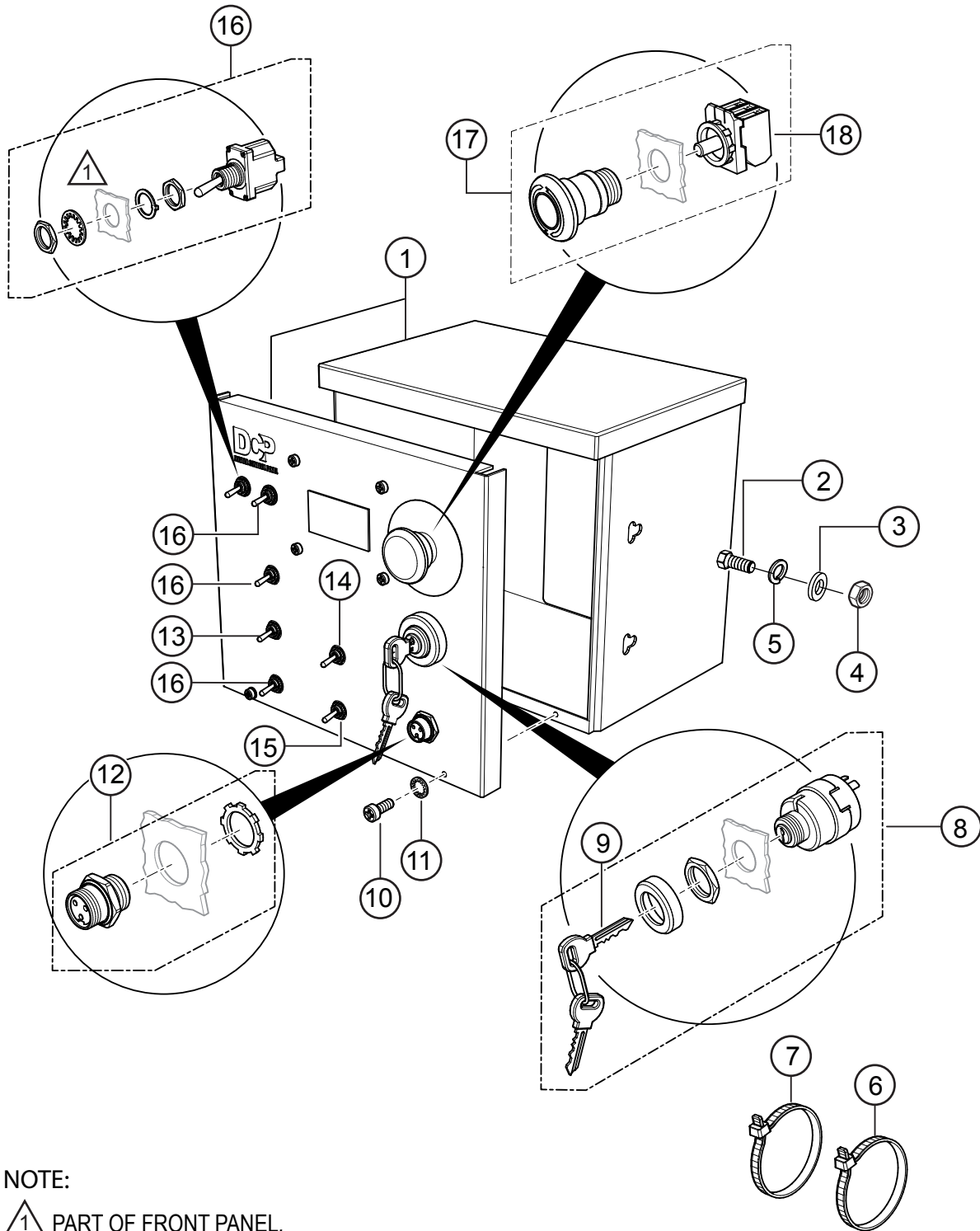
MANIFOLD ASSEMBLY



MANIFOLD ASSEMBLY

<u>NO.</u>	<u>PART NO.</u>	<u>PART NAME</u>	<u>QTY.</u>	<u>REMARKS</u>
1	EM98243A	MANIFOLD ASSEMBLY	2.....	INCLUDES ITEMS W/%
2%	EM98221	CYCLING VALVE, SWING W/PILOTS	2.....	INCLUDES ITEMS W/\$
4\$%	EM98222	PILOT VALVE, SHUTTLE	2	
5\$%		BOLT, SHCS 1/2" X 1-1/4"	8.....	CONTACT MQ PARTS DEPT.
6\$%		BOLT, SHCS 1/2" X 2-1/4"	12.....	CONTACT MQ PARTS DEPT.
7\$#%		SWING VALVE	1.....	CONTACT MQ PARTS DEPT.
8		PLUG	3.....	CONTACT MQ PARTS DEPT.
9	513548	FITTING, STRAIGHT	2	
10	511803	ADAPTER ELBOW	1	
11		PLUG	1.....	CONTACT MQ PARTS DEPT.
12	EM98226	RELIEF VALVE	1	
13		PLUG	3.....	CONTACT MQ PARTS DEPT.
14		PLUG	3.....	CONTACT MQ PARTS DEPT.
17		BODY	1.....	CONTACT MQ PARTS DEPT.
18	491372	STRAIGHT FITTING	4	
19	EM963102	BOLT, 1/2" X 1-1/4"	4	
20	6109180	WASHER, LOCK 1/2"	4	

CONTROL BOX ASSEMBLY



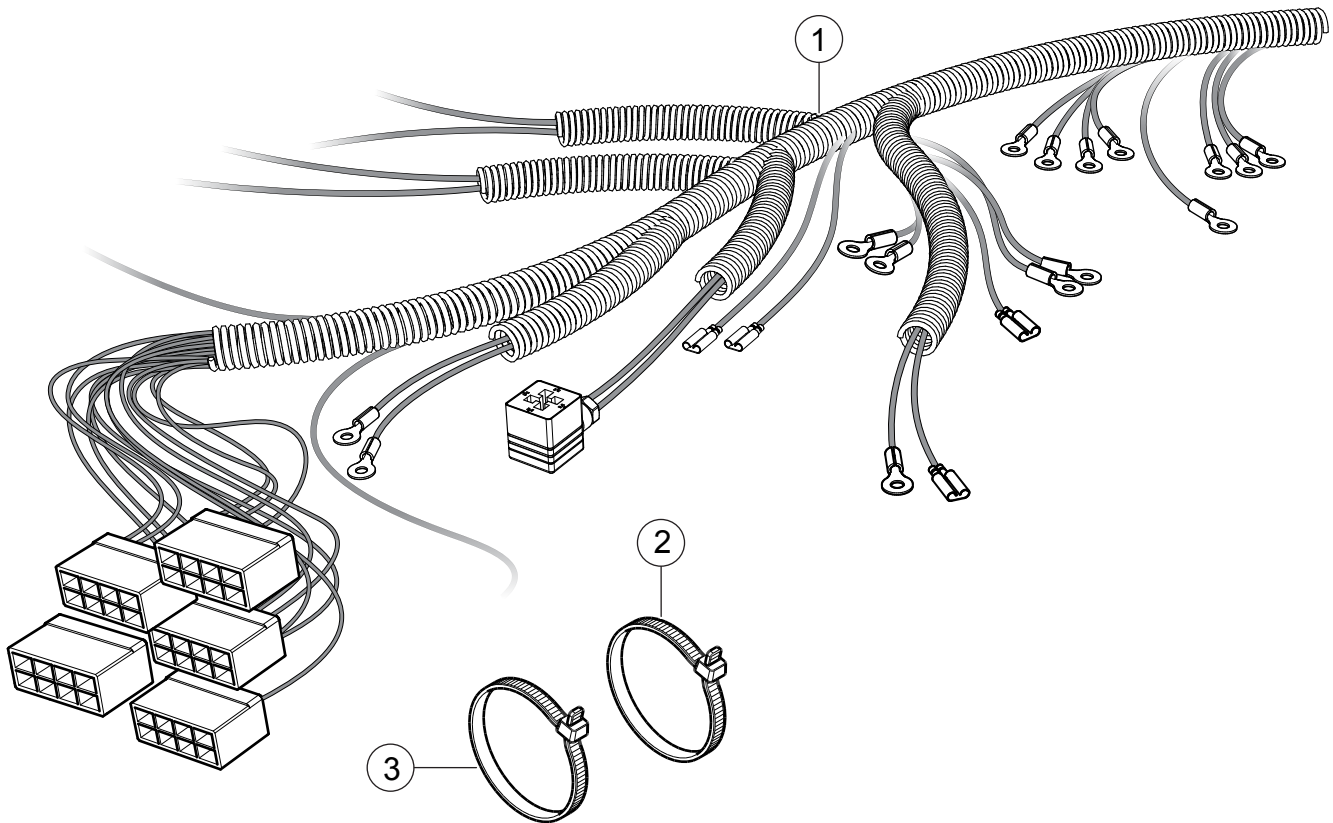
NOTE:

 PART OF FRONT PANEL.

CONTROL BOX ASSEMBLY

<u>NO.</u>	<u>PART NO.</u>	<u>PART NAME</u>	<u>QTY.</u>	<u>REMARKS</u>
1	EM517648A	CONTROL PANEL	1	
2	0202	SCREW, HHC 5/16"X18X1"	4	REPLACES P/N 492364
3	EM923023	WASHER FLAT 5/16"	4	REPLACES P/N 492597
4	2105164	NUT, NYLON 5/16"-18	4	REPLACES P/N 492582
5	EM923343	WASHER, LOCK 5/16"	4	REPLACES P/N 492623
6	EM504505	WRAP TIE, 4.6 X 360 MM BLACK.....	2	REPLACES P/N 504505
7	EM491028	WRAP CABLE TIE, 2.5 X 95 MM, BLACK.....	5	REPLACES P/N 491028
8	EM98206	IGNITION SWITCH ASSEMBLY	1	INCLUDES ITEM W/\$
9\$	EM98206K	KEY, IGNITION	1	
10		SCREW.....	6	OBTAIN LOCALLY
11		WASHER	6	OBTAIN LOCALLY
12	EM97068	RECEPTACLE, REMOTE	1	
13	EM98120	FLOW DIRECTION SWITCH ASSY.	1	
14	EM98119	MAIN CONTROL SWITCH ASSY.	1	
15	EM98121	AUTO/JOG SWITCH ASSEMBLY	1	
16	EM98122	JOG, VOLUME, RESET, SCROLL SW. ASSY.	4	
17	EM517177	EMERGENCY STOP SWITCH ASSY.....	1	INCLUDES ITEM W/#
18#	EM517186	CONTACT BLOCK, EMERG. SWITCH	1	

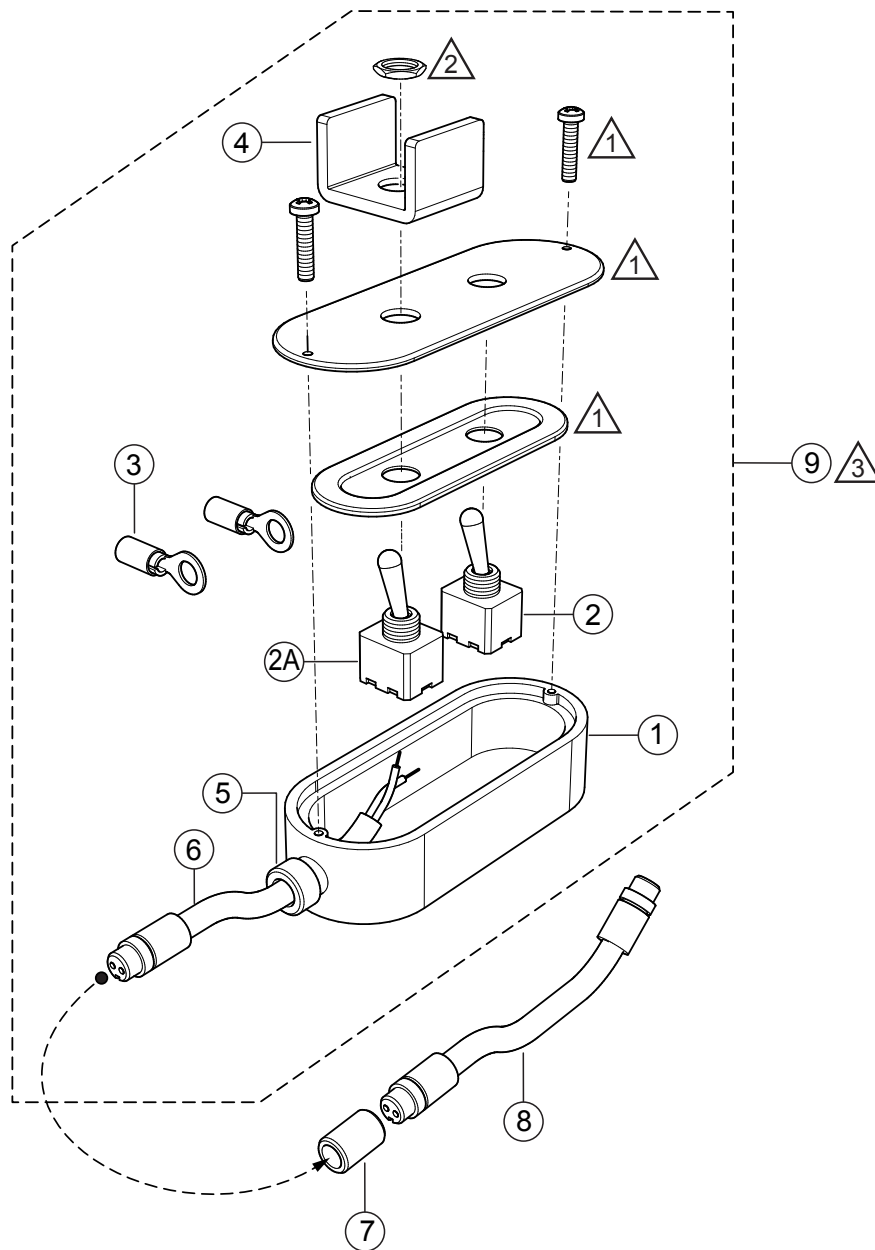
CONTROL BOX HARNESS ASSEMBLY



CONTROL BOX HARNESS ASSEMBLY

<u>NO.</u>	<u>PART NO.</u>	<u>PART NAME</u>	<u>QTY.</u>	<u>REMARKS</u>
1	803482	WIRE HARNESS, MAIN	1	
2	491030	WRAP, TIE 2.5 X 142 MM	5	
3	EM504505	WRAP, TIE 4.6 X 360 MM	2	

REMOTE CONTROL CABLE ASSEMBLY



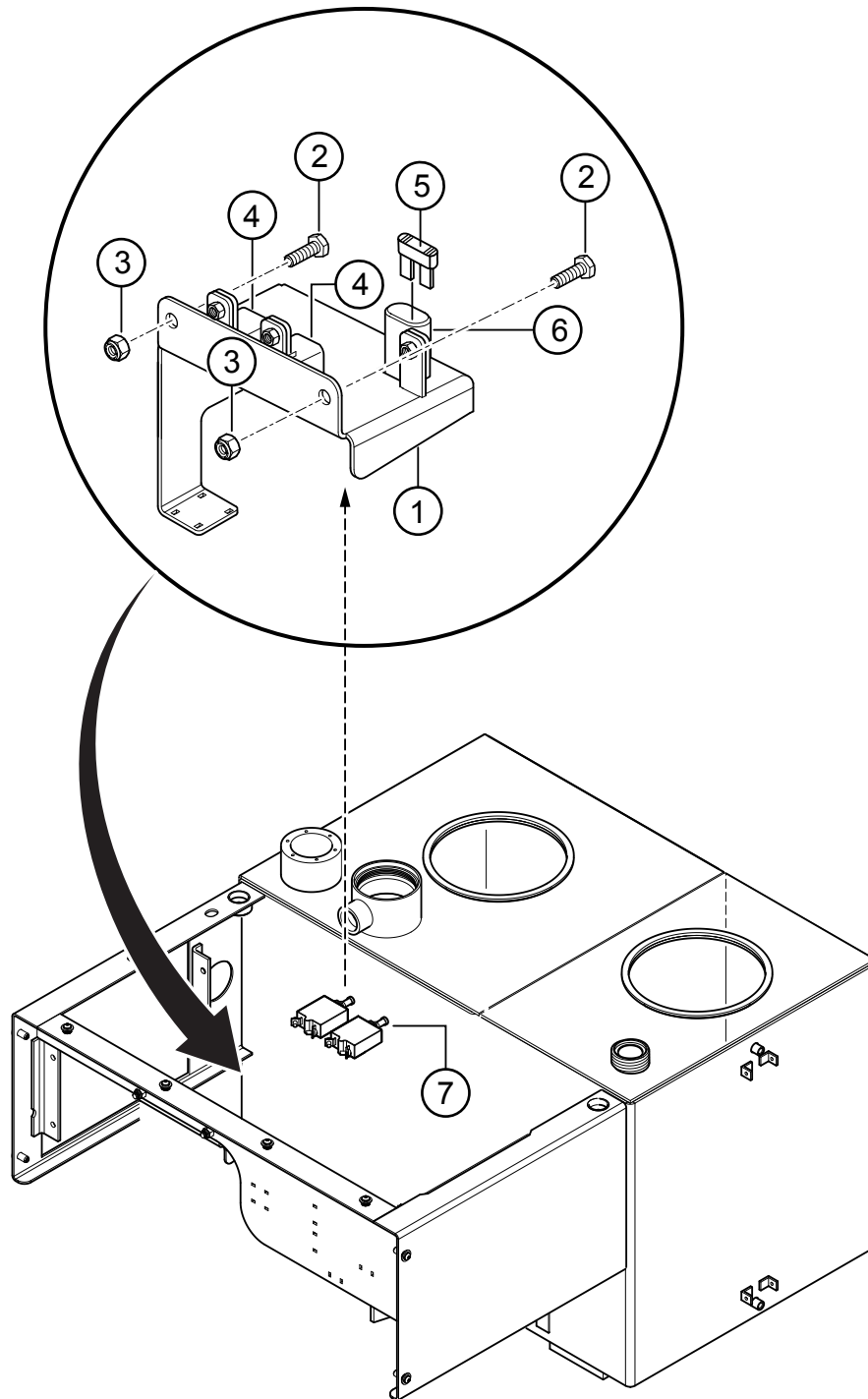
NOTES

- △ 1 INCLUDED WITH ITEM 1.
- △ 2 INCLUDED WITH ITEMS 2 AND 2A.
- △ 3 COMPLETE CORD ASSY. INCLUDES ITEMS WITHIN DASHED LINES.

REMOTE CONTROL CABLE ASSEMBLY

<u>NO.</u>	<u>PART NO.</u>	<u>PART NAME</u>	<u>QTY.</u>	<u>REMARKS</u>
1\$	EM16753	JUNCTION BOX	1	
2\$	EM16754	SWITCH	1	
2A\$	EM97075	SWITCH	1	
3\$	EM491897	CONNECTOR, RING 3/16"	4	
4\$	EM16756	GUARD SWITCH, ALUMINUM	2	
5\$	EM26791	SEAL, GRIP CORD	1	
6\$	EM26790	CORD, MX P/E 25 FT.	1	
7	EM26793	ADAPTER, CORD GRIP 1/2"	1	
8	EM97065	CORD, 100 FT., REMOTE CONTROL.....	1.....	OPTION
9	EM97099	CABLE REMOTE CONTROL ASSY., 25 FT.....	1.....	INCLUDES ITEMS W/\$

FUSES AND RELAYS ASSEMBLY



FUSES AND RELAYS ASSEMBLY

<u>NO.</u>	<u>PART NO.</u>	<u>PART NAME</u>	<u>QTY.</u>	<u>REMARKS</u>
1	803614	SUPPORT	1	
2	492311	SCREWS	3	
3	EM969013	NUT, NYLOC.....	3.....	REPLACES P/N 492583
4	EM802515	RELAY, 80 AMP., PRE-HEAT/FAN PWR.	2	
5	23284-300	FUSE, 30 AMP., ATC/ATO	1	
6	EM98066	FUSE HOLDER, 30 AMP. MAIN	1	
7	804996	CIRCUIT BREAKER, 40 AMP.	2	