

REVISED STARTING
SERIAL # 121010002

PARTS LIST MANUAL

MODEL SK14



14" DOWNCUT - CONCRETE AND ASPHALT WALK BEHIND SAWS

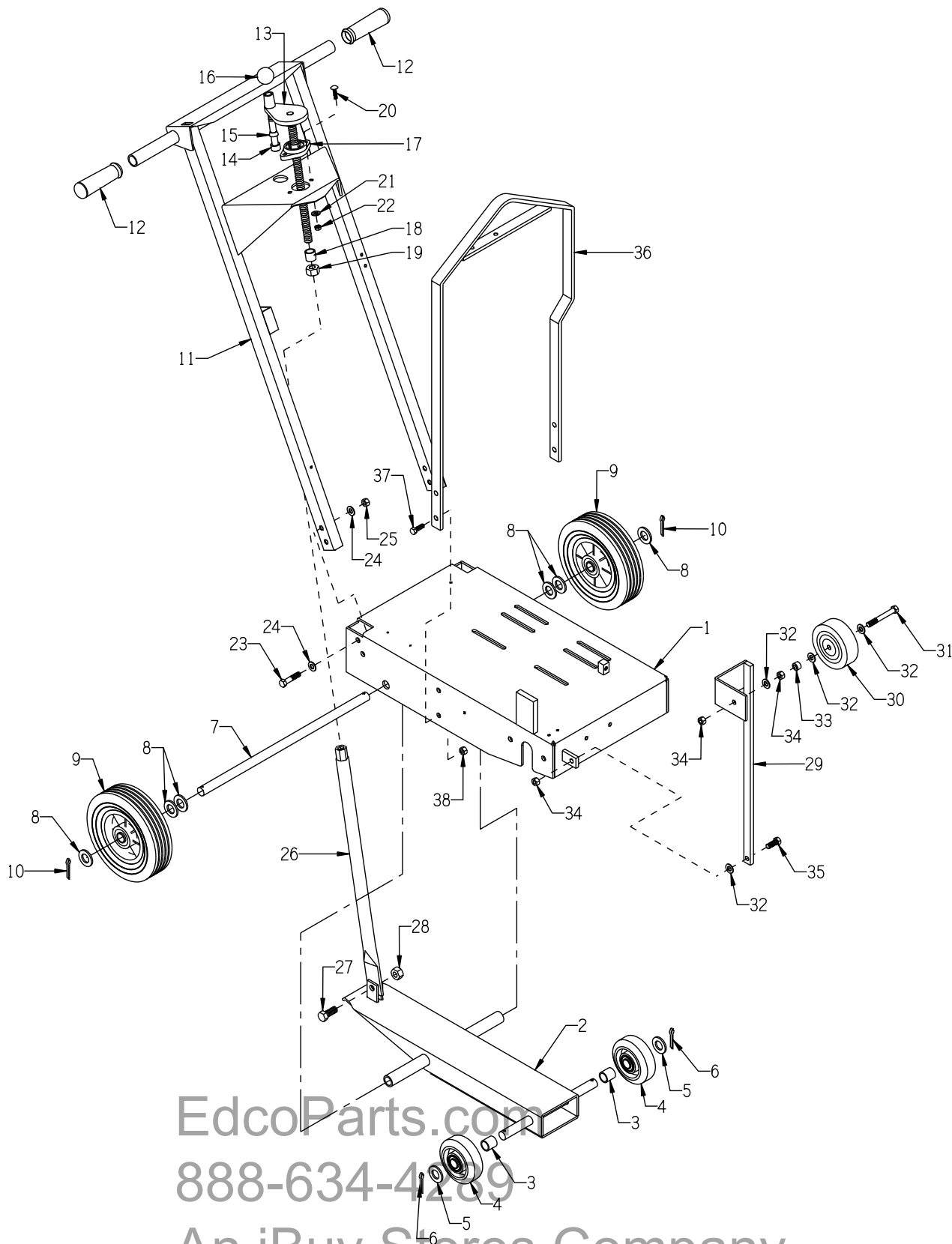
SKU #	MODEL #	POWER OPTION
45400D	SK14-9H	HONDA GASOLINE ENGINE MODEL GX270
45600D	SK14-11H	HONDA GASOLINE ENGINE MODEL GX340
48100D	SK14-13H	HONDA GASOLINE ENGINE MODEL GX390

EdcoParts.com

888-634-4289

An iBuy Stores Company

ILLUSTRATION 1: MAIN GROUPING



EdcoParts.com
888-634-4289
An iBuy Stores Company

PARTS LISTING - ILLUSTRATION 1: MAIN GROUPING

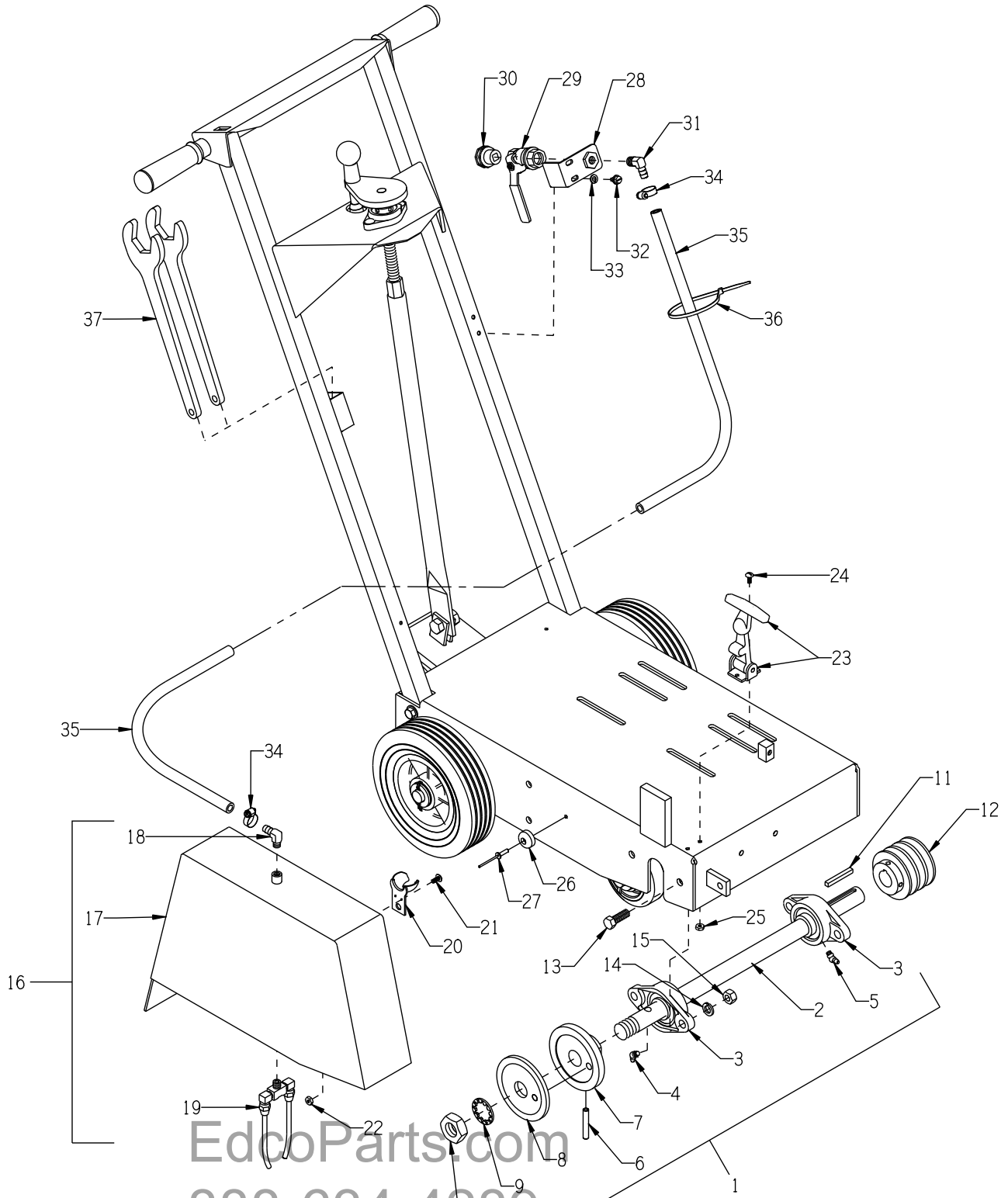
ITEM #	PART #	DESCRIPTION	QTY.
1	52070	MAIN FRAME, SK-14	1
2	52061	FORK, SK-14	1
3	52010	SPACER, FRONT WHEEL 3/4ID X 15/16	2
4	52001	WHEEL 4 X 1-1/2 X 3/4"BRG. ALUM/RUB	2
5	10009 11597	WASHER, FLAT 3/4 SAE ZINC WASHER .755"ID X 1.25"OD X .060"THK (USE AS NEEDED)	2 2
6	10306	PIN, COTTER 3/16 X 1-1/2	2
7	52062	AXLE SHAFT 3/4"DIA. X 19-1/4"L	1
8	10009	WASHER, FLAT 3/4 SAE ZINC	6
9	79013	WHEEL, 8 X 2-1/2 X 3/4"BRG.POLY HUB	2
10	10306	PIN, COTTER 3/16 X 1-1/2	2
11	52021	HANDLE BAR, SK-14	1
12	10608	GRIP, HAND 1" MODEL AT	2
13	80008	HANDWHEEL, SMALL W/ 5/8-11 X 12"ROD	1
14	10411	SCREW, SKT. HD. CAP 1/2-13 X 4 ZINC	1
15	50550	SLEEVE, BRASS 1/2" TAPERED	1
16	14023	KNOB, BALL 1-3/8 W/ 1/2-13THD, BLK.	1
17	80009	BEARING, BALL 5/8" 2-HOLE (NO G.F.)	1
18	55010	SPACER, HANDWHEEL 5/8"ID X 3/4"L	1
19	10046	NUT, HEX 5/8-11 ZINC	1
20	10412	BOLT, CARRIAGE 1/4-20 X 1 FULL THD.	2
21	10602	WASHER, FLAT 1/4 SAE ZINC	2
22	10861	NUT, KEPS LOCK 1/4-20 ZINC	2
23	10029	SCREW, CAP 3/8-24 X 1-3/4	4
24	10025	WASHER, FLAT 3/8 SAE ZINC	8
25	10004	NUT, HEX LOCK 3/8-24 ZINC	4
26	52016	LINKAGE, CUT CONTROL, SK-14	1
27	10321	SCREW, CAP 1/2-20 X 1-1/4	1
28	10205	NUT, HEX LOCK 1/2-20 ZINC	1
29	52007	GUIDE BAR, SK-14 DOWN-CUT	1
30	50024	WHEEL 4 X 1-3/8 X 3/8"BORE	1
31	10885	SCREW, CAP 3/8-24 X 3	1
32	10025	WASHER, FLAT 3/8 SAE ZINC	4
33	10011	SPACER, STEEL 5/8OD X 3/8ID X 3/8T	1
34	10004	NUT, HEX LOCK 3/8-24 ZINC	2
35	10021	SCREW, CAP 3/8-24 X 1	1
36	52073	BAIL, LIFTING, SK-14	1
37	10021	SCREW, CAP 3/8-24 X 1	4
38	10004	NUT, HEX LOCK 3/8-24 ZINC	4

EdcoParts.com

888-634-4289

An iBuy Stores Company

ILLUSTRATION 2: ARBOR & BLADE GUARD GROUPING



EdcoParts.com

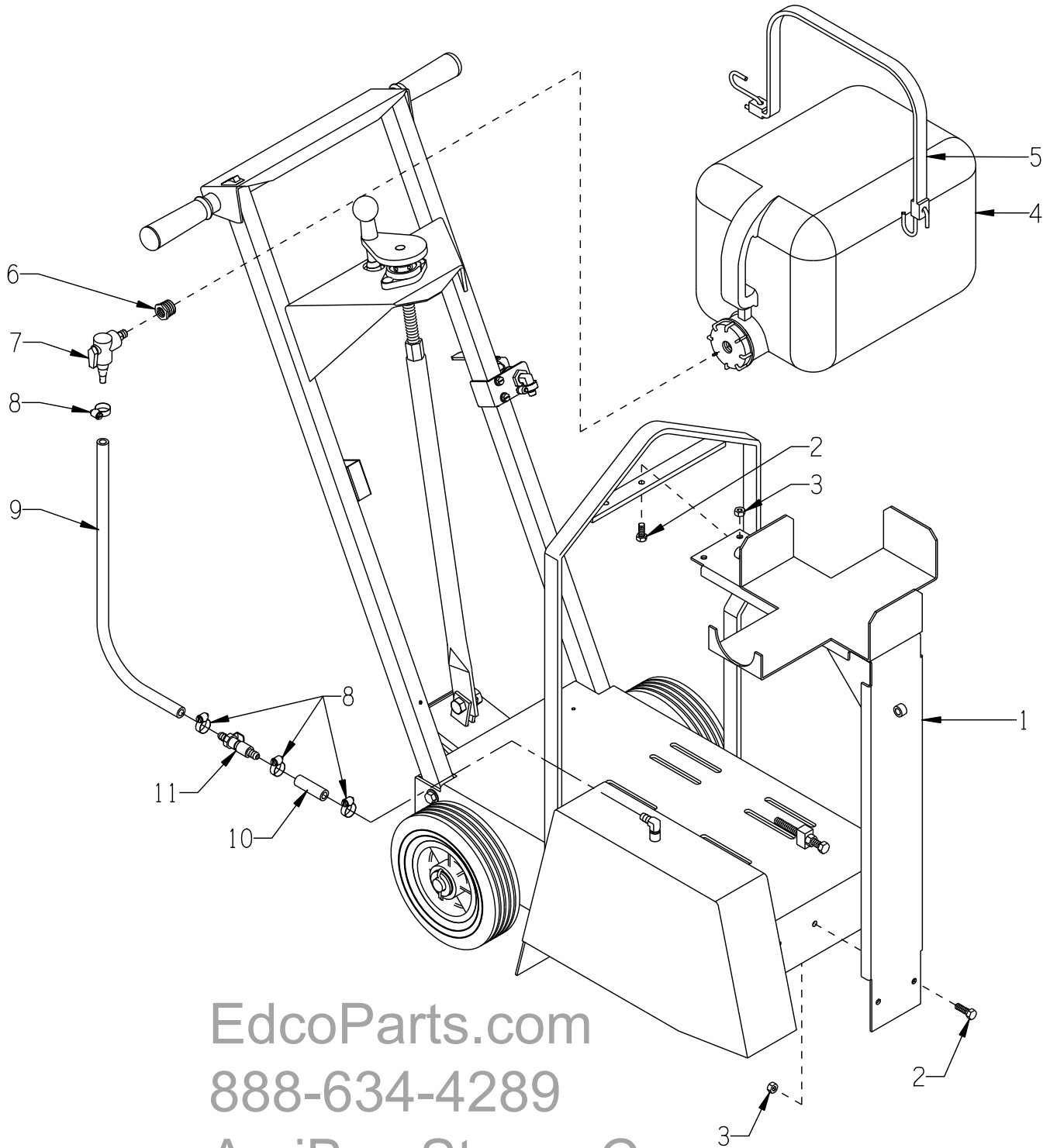
888-634-4289

An iBuy Stores Company

PARTS LISTING - ILLUSTRATION 2: ARBOR & BLADE GUARD GROUPING			
ITEM #	PART #	DESCRIPTION	QTY.
1	69050A	ARBOR ASSY. COMPLETE (INCLUDES ITEMS 2 THRU 10)	1
2	69050	ARBOR SHAFT 19-1/4"L, SK-14	1
3	62022	BEARING, BALL 1" 2-HOLE FLANGE	2
4	10961	FITTING, GREASE 1/4-28 X 90°	1
5	10960	FITTING, GREASE 1/4-28 X 45°	1
6	10211	PIN, ROLL 5/16 X 2	1
7	56026	ARBOR BACKING PLATE 4"	1
8	56025	ARBOR BLADE CAP 4"OD W/1"HOLE	1
9	55009	WASHER, LOCK, INT. TOOTH 1"	1
10	50019	NUT, HEX JAM 1-14 ZINC GRADE A	1
11	10115	KEY 1/4SQ X 2	1
12	80027	SHEAVE 3"OD X 3GR.A X 1"BORE	1
13	10003	SCREW, CAP 7/16-20 X 1-1/4 ZINC	4
14	10450	WASHER, LOCK 7/16 ZINC	4
15	10481	NUT, HEX 7/16-20 ZINC	4
16	52005A	GUARD, BLADE, ASSY. COMPLETE, SK-14 (INCLUDES ITEMS 17 THRU 22)	1
17	52005	GUARD, BLADE 14", SK-14 DOWN-CUT	1
18	11562	BARB ELBOW 90, 3/8HOSE X 1/8MPT	1
19	81004	NOZZLE, COOLANT 1/8MPT W/ 4"TUBES	1
20	52002K	LATCH KEEPER BRKT., EXT.LG. STYLE S	1
21	10830	SCREW, MACHINE SHWH 10-32 X 1/2	2
22	10832	NUT, KEPS LOCK 10-32 ZINC	2
23	52002	LATCH, FLEXIBLE DRAW W/ T-HANDLE (INCLUDES LATCH KEEPER BRKT., ITEM 20)	1
24	10830	SCREW, MACHINE SHWH 10-32 X 1/2	2
25	10832	NUT, KEPS LOCK 10-32 ZINC	2
26	52022	BUMPER, RUBBER 1OD X 3/16ID X 7/16H	1
27	52023	RIVET, BLIND 3/16 X .7"L X .375HD	1
28	56022	BRACKET, WATER VALVE	1
29	10711	VALVE, BALL 1/2 FPT	1
30	80021	CONN., SWIVEL FEM. 3/4HOSE X 1/2MPT	1
31	10799	BARB ELBOW 90, 3/8HOSE X 1/4MPT	1
32	10846	SCREW, CAP STSHW 1/4-20 X 1/2	2
33	10038	WASHER, LOCK 1/4 ZINC	2
34	50069	CLAMP, HOSE, SAE #6, ADJ. TO 13/16	2
35	56023	HOSE, WATER 3/8"ID X 43"L	1
36	10982	TIE, CABLE, BLACK NYLON 11-1/4"	2
37	50445	WRENCH, ARBOR, 1-1/2" OPEN END	2

ILLUSTRATION 3: WATER TANK ASSEMBLY

OPTIONAL
PART # 52075



EdcoParts.com

888-634-4289

An iBuy Stores Company

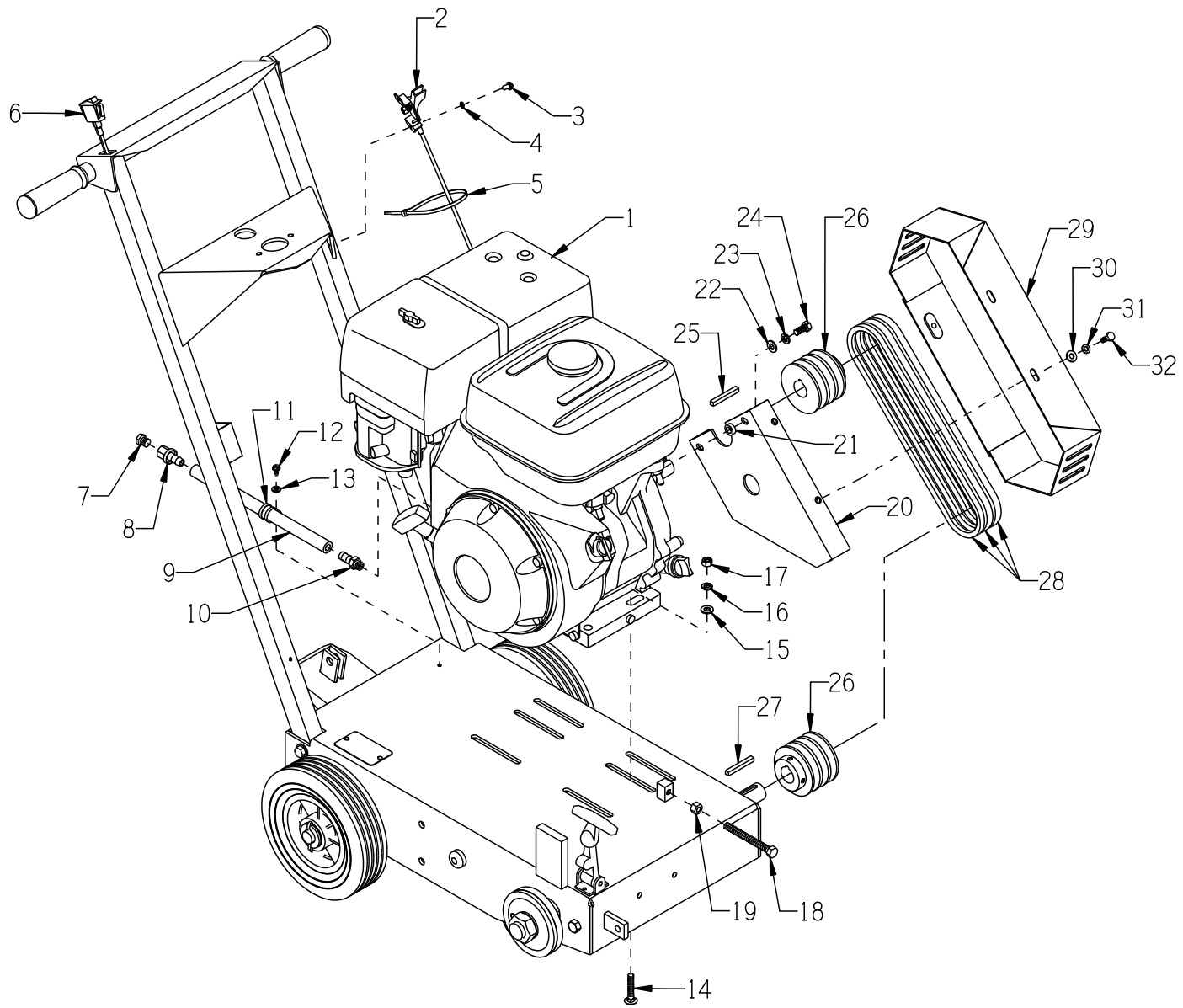
PARTS LISTING - ILLUSTRATION 3: WATER TANK ASSEMBLY			
OPTIONAL - PART # 52075			
ITEM #	PART #	DESCRIPTION	QTY.
1	52074	MOUNT ONLY, WATER TANK, SK-14	1
2	10053	SCREW, CAP 5/16-18 X 3/4	4
3	10807	NUT, HEX LOCK 5/16-18 ZINC	4
4	52031	DRUM, PLASTIC 5 GALLON, 3/4NPT CAP	1
5	52035	TIE-DOWN STRAP, MOLDED RUBBER 24"	2
6	52034	BUSHING, HEX 3/4 X 1/4 NPT NYLON	1
7	56312	VALVE, BALL PVC 90°A 1/4MPT X BARB	1
8	50069	CLAMP, HOSE, SAE #6, ADJ. TO 13/16	4
9	52077	HOSE, WATER 3/8"ID X 10"L	1
10	56316	HOSE, WATER 3/8"ID X 2"L	1
11	11637	COUPLING, QUICK-DISCONNECT 3/8" SPL	1

EdcoParts.com

888-634-4289

An iBuy Stores Company

ILLUSTRATION 4: ENGINE & BELT DRIVE GROUPING



PARTS LISTING			
ITEM #	PART #	DESCRIPTION	QTY.
1		ENGINE WITH CYCLONE AIR CLEANER ...	1
	15027	HONDA GX270UT2-QXC9	
	79045	HONDA GX340UT2-QXC9	
	15029	HONDA GX390UT2-QXC9	
PARTS LISTING CONTINUED ON THE NEXT PAGE			

PARTS LISTING CONTINUED - ILLUSTRATION 4: ENGINE & BELT DRIVE GROUPING

ITEM #	PART #	DESCRIPTION	QTY.
2	40388	CABLE, THROTTLE, LEVER-TYPE 24"	1
3	10877	SCREW, CAP STSHW 10-24 X 1/2	2
4	10831	WASHER, LOCK, INT. TOOTH #10	2
5	10982	TIE, CABLE, BLACK NYLON 11-1/4"	1
6	15201A	SWITCH W/ WIRES, ROCKER RED ON-OFF ADDITIONAL PARTS REQ'D. (NOT SHOWN):	1
	50084	TERM., RING #10 16-14GA. INSULATED	1
	10877	SCREW, CAP STSHW 10-24 X 1/2	1
	10831	WASHER, LOCK, INT. TOOTH #10	1
	10970	CONN., WIRE QUICK-SPLICE 18-14 GA.	1
	36042	CLIP, NATURAL CORD, 1/8" X 1/4"	2
7	10776	PIPE PLUG 1/4 NPT (BRASS)	1
8	11544	BARB, PUSH-ON 3/8 HOSE X 1/4FPT	1
9	52063	HOSE, PUSH-ON 3/8"ID X 10-1/2"L	1
10	11542	BARB, PUSH-ON 3/8HOSE X M12-1.5MALE	1
11	11565	CLAMP, LOOM, 5/8" (SAE SIZE 10)	1
12	10846	SCREW, CAP STSHW 1/4-20 X 1/2	1
13	10038	WASHER, LOCK 1/4 ZINC	1
14	10918	BOLT, CARRIAGE 5/16-18 X 1-3/4 F.T.	4
15	10213	WASHER, FLAT 5/16 SAE ZINC	4
	10025	WASHER, FLAT 3/8 SAE ZINC	2
16	10801	WASHER, LOCK 5/16 ZINC	4
17	10054	NUT, HEX 5/16-18 ZINC	4
18	52015	BOLT, TAP 3/8-16 X 3-1/2(FULL THD.)	1
19	10404	NUT, HEX 3/8-16 ZINC	1
20	52072	BRACKET, BELT COVER, SK-14	1
21	10113	SPACER, STEEL 9/16OD X 3/8ID X 7/32 (HONDA GX340 & GX390)	2
	10011	SPACER, STEEL 5/8OD X 3/8ID X 3/8 (HONDA GX270)	4
22	10213	WASHER, FLAT 5/16 SAE ZINC	2
23	10801	WASHER, LOCK 5/16 ZINC	2
24	10048	SCREW, CAP 5/16-24 X 3/4 (HONDA GX340 & GX390)	2
	11691	SCREW, CAP 5/16-24 X 1-1/2 (HONDA GX270)	2
25	10307	KEY 1/4SQ X 2-1/4	1
26	80027	SHEAVE 3"OD X 3GR.A X 1"BORE	2
27	10115	KEY 1/4SQ X 2	1
28	10253	BELT AX-27 (GATES TRI-POWER 1/2" x 29")	3
29	52071	COVER, BELT, SK-14	1
30	10602	WASHER, FLAT 1/4 SAE ZINC	3
31	10038	WASHER, LOCK 1/4 ZINC	3
32	10018	SCREW, CAP 1/4-20 X 3/4	3

EdcoParts.com

888-634-4289

An iBuy Stores Company

DECALS

SK-14 14 x 17
P/N 92212 Rev. B

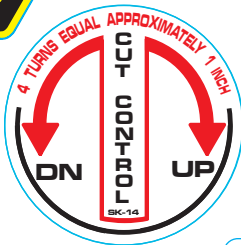


exceeds 85dBa

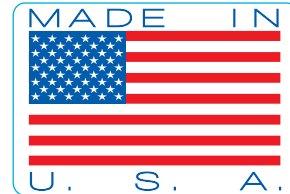
CHECK OIL DAILY



CALIFORNIA PROPOSITION 65 WARNING
The engine exhaust from this product contains chemicals known to the State of California to cause cancer, birth defects or other reproductive harm.



GREASE BEARINGS
DAILY



DANGER
BEFORE CUTTING INTO ANY SURFACE,
INSURE THERE ARE NO BURIED GAS,
ELECTRICAL, HIGH PRESSURE AIR,
SEWER OR WATER LINES

NOTE: Locate this decal so it is visible from operator's position



YOU MUST READ OPERATOR'S INSTRUCTION MANUAL BEFORE OPERATING



THROTTLE



WARNING
THERE IS NO OIL IN THIS MACHINE

RENTAL-TOUGH