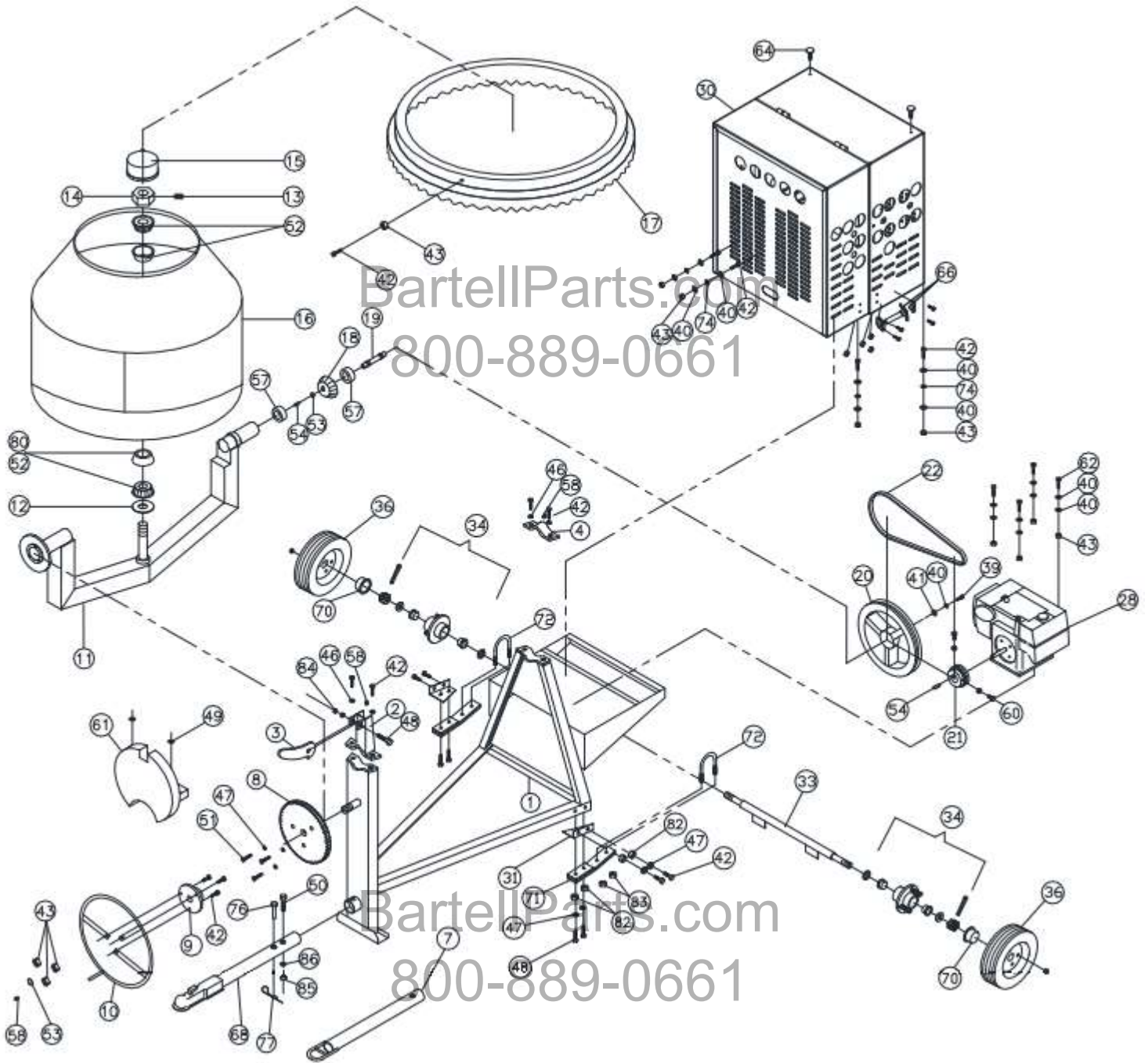


CONCRETE MIXER ASSEMBLY DIAGRAM



CONCRETE MIXER PARTS LIST

Mixer Assembly – Parts List

No.	Code	DESCRIPTION OF PARTS	CM7	CM9	CM12
1	C-100	FRAME, CM7 CM9	1	1	-
	C-102	FRAME CM12	-	-	1
2	C-103	BRAKE	1	1	1
3	C-104	LOCKING PIN	1	1	1
4	C-105	PILLOW BLOCK	1	1	1
7		DRAW BAR, PINTLE HITCH	1	1	1
		DRAW BAR, PINTLE HITCH VERTICAL HOLE	1	1	1
8	C-107	GEAR	1	1	1
9	C-108	HANDLE BLOCK 1	1	1	-
	C-109	HANDLE BLOCK 2 FOR CM12	-	-	1
10	C-110	HANDLE TUBE	1	1	-
	C-111	HANDLE TUBE FOR CM12	-	-	1
11	C-112	YOKE RT	1	1	-
	C-113	YOKE FOR CM12	-	-	1
12	C-114	PLATE	1	1	-
	C-115	PLATE FOR CM12	-	-	1
13	C-116	ALLEN SCREW 3/8 X 1/2	1	1	1
14	C-117	NUT, 1-3/8	1	1	1
15	C-118	DUST CAP	1	1	1
16	C-119	DRUM CM7	1	-	-
	C-120	DRUM CM9	-	1	-
	C-121	DRUM CM12	-	-	1
17	C-122	GEA RING 115TH	1	1	1
18	C-123	PINNION 12TH	1	1	1
19	C-124	SHAFT PINNION	1	1	1
20	C-125	PULLEY 19" 1 GROOVE	1	1	1
21		PULLEY ENGINE	1	1	1
22	C-129	BELT, B64	1	1	1
		BELT, B68	1	1	1
28		ENGINE	1	1	1
30	C-131	HOOD, HINGED, ASSY	1	1	1
31	C-133	BRACKETS (SPRINGS)	2	2	2

Mixer Assembly – Parts List Cont.

33	C-134	AXLE	1	1	1
		AXLE	1	1	1
34	C-135	HUB ASM, 4 BOLT	2	2	2
		HUB ASM, 4 BOLT	2	2	2
36	C-136	WHEEL RIM 13	2	2	2
	C-137	WHEEL RIM 12	2	-	-
39	C-138	BOLT, HEXHD 3/8X1 NF G.5	1	1	1
40	C-139	PLAIN WASHER 3/8	21	21	21
41	C-140	WASHER, TRANSMISSION 3/8	1	1	1
42	C-141	BOLT, HEXHD 3/8X1-1/2 NF G.5	23	23	23
43	C-142	LOCK NUT, 3/8	19	19	19
46	C-144	SPRING WASHER 3/8	4	4	4
47	C-145	SPRING WASHER 1/2	7	11	11
48	C-146	BOLT, HEXHD 1/2X2-1/2 G.5	5	5	5
49	C-147	PLAIN WASHER 1/2	2	2	2
50	C-148	BOLT HEXHD 3/4X3-1/2 G.5	1	1	1
51	C-149	BOLT HEXHD 1/2X3/4 G.5	3	3	3
52	C-150	BALL BEARING, 2788	2	2	1
53	C-151	RETAINING RING, 15/16	2	2	1
54	C-152	KEY, 1/4X1-1/2	2	2	2
57	C-154	BALL BEARING, 6205	2	2	2
58	C-155	GREASE FITING, 1/8 NPT	3	3	3
60	C-156	SET SCREW, 3/8X1-1/4 W/NUT 3/8"	2	2	2
61	C-157	GEAR GUARD	1	1	1
62	C-158	BOLT, HEXHD, 3/8X2 G.5	4	4	4
64	C-159	RUBBER SCREW 1/4	4	4	4
66	C-161	HOOK ASSEMBLY	2	2	2
68		2" BALL HITCH (OPTIONAL)	1	1	1
		2" BALL HITCH VERTICAL HOLE	1	1	1
70	C-164	DUST COVER	2	2	2
71	C-165	AXLE SPRING ASSEMBLY	-	2	2
72	C-166	U CLAMP	-	2	2
	C-167	U CLAMP FOR CM7	2	-	-
74	C-168	PLASTIC WASHER 1/2	14	14	14
76	C-169	LOCK PIN	1	1	1
77	C-170	PIN AIR	1	1	1
80	C-171	BALL BEARING 104949 CM12	-	-	-

Mixer Assembly – Parts List Cont.

82	C-173	LOCK NUT, ½	4	8	8
83	C-174	LOCK NUT 1/2 NF	4	4	4
84	C-178	NUT 1/2" NC	2	2	2
85	C-179	NUT 3/4" NF	1	1	1
86	C-180	WASHER SPRING 3/4"	1	1	1
87	C-189	5.5 HP GAS ENGINE BRACKET SUPPORT	1	1	1

BartellParts.com
800-889-0661

BartellParts.com
800-889-0661