



SPARE PARTS HTC GL 270 V.2



Table of contents

Greyline 270 V.2 Chassis 2

Greyline 270 V.2 Grinding head 4

Greyline 270 Grind holder – 593516901..... 6

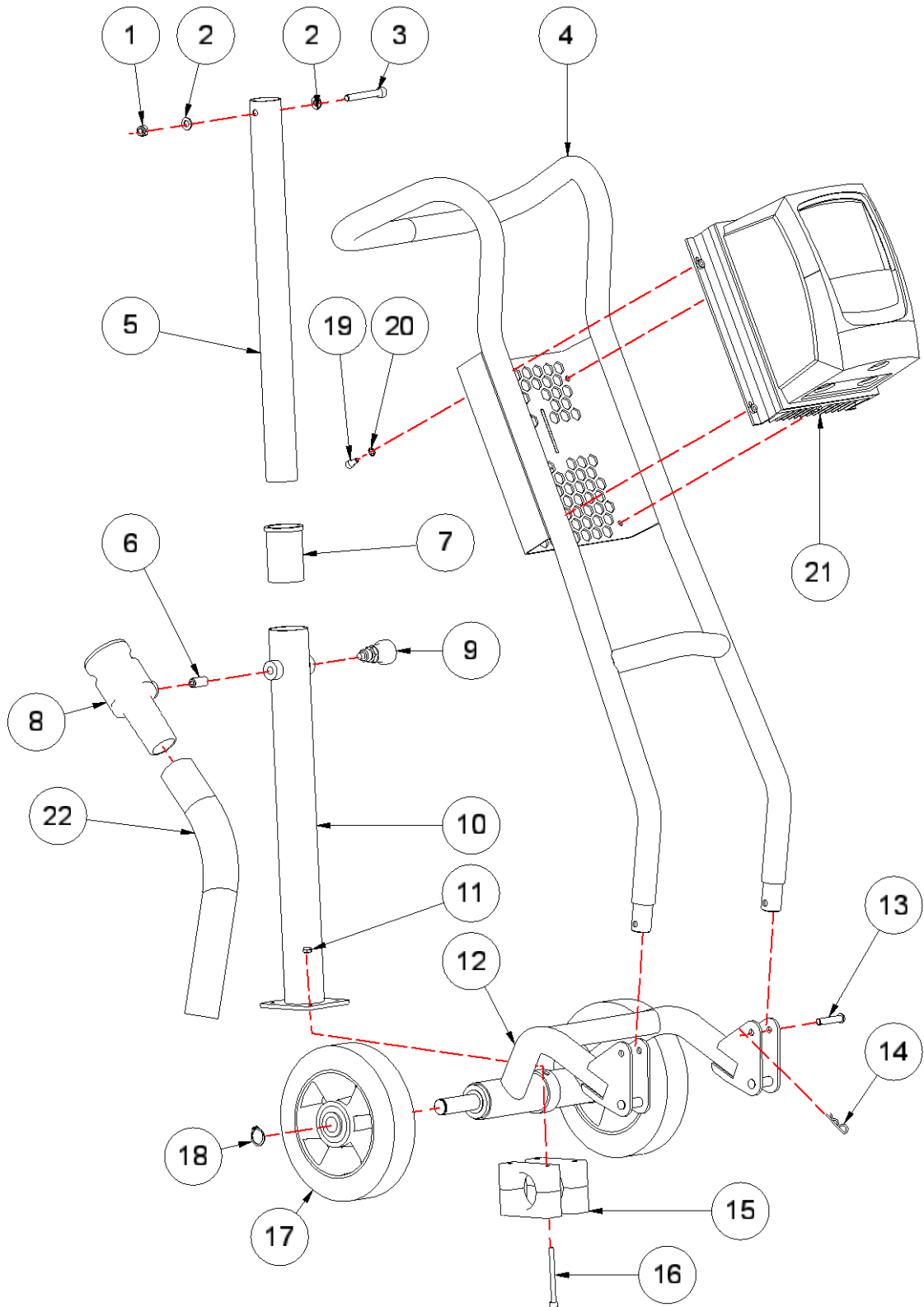
Greyline 270 Add-on edge grinding kit – 593616601..... 8

Greyline 270 Dust cover V.2..... 10

Greyline V.2 Electrical – 1x115V 1.3kW – 593548301..... 11

Greyline V.2 Electrical – 1x230V 2.2kW – 593548401..... 13

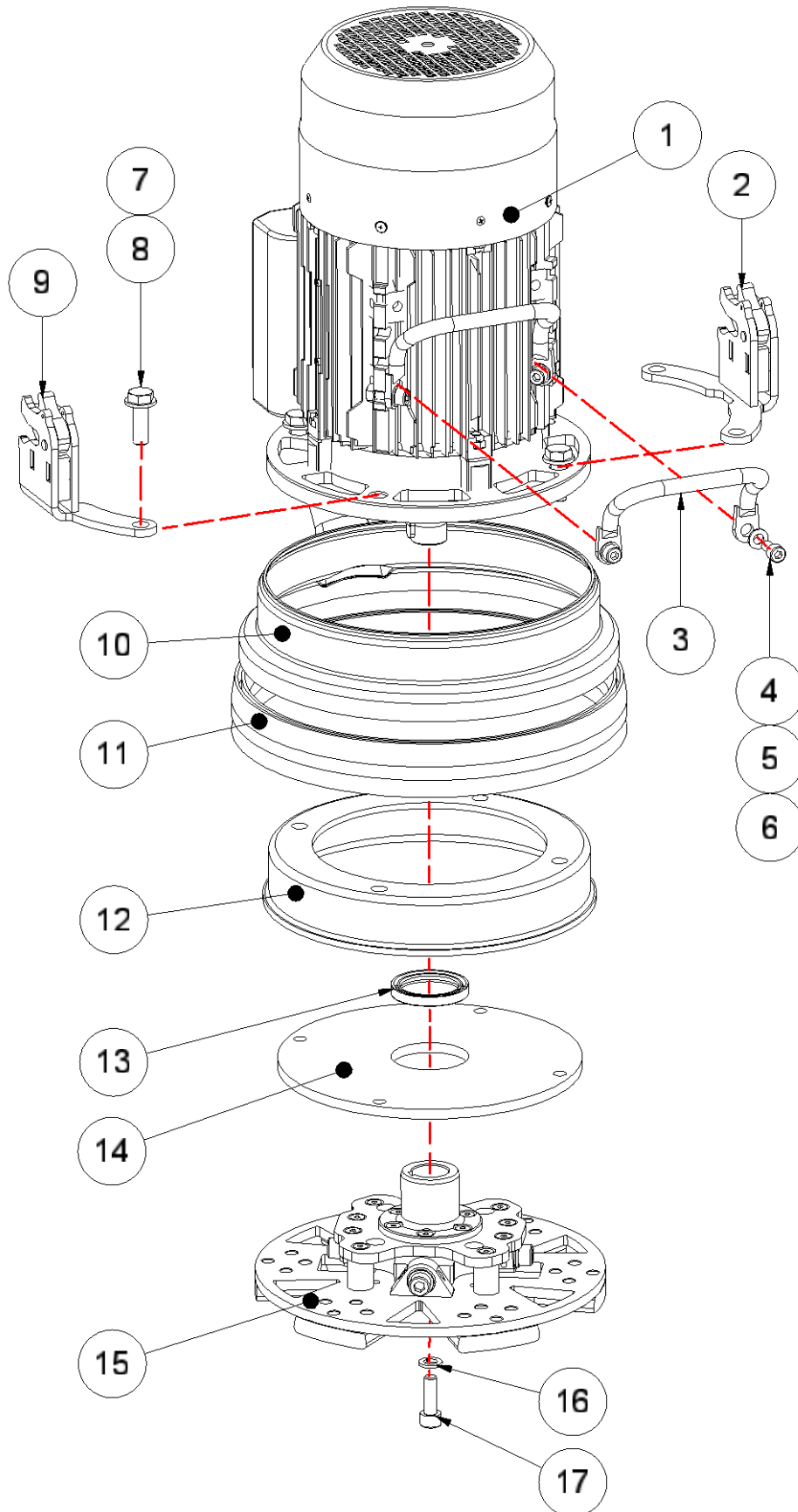
Greyline 270 V.2 Chassis



Greyline 270 V.2 Chassis

Item	Description	Part no	Qty
1	LOCK NUT M8	593499801	1
2	WASHER M8	593500401	2
3	SCREW M8X60	593500301	1
4	UPPER CHASSIS	593531601	1
5	CHASSIS POSITIONER INNER TUBE	593519301	1
6	P6SS M12X25	593511201	1
7	CHASSIS POSITIONER GUIDE BUSH.	593524201	1
8	CAMLOCK MALE 2"	593460501	1
9	ADJUSTMENT BOLT	593456801	1
10	CHASSIS POSITIONER	501453	1
11	LOCK NUT M6	593500001	4
12	LOWER CHASSIS	595695401	1
13	PIN 8X41,5	593510601	2
14	LOCKING CLIP	593502501	2
15	PIPE CLAMP	595633801	4
16	SCREW M6X70	593510201	4
17	WHEEL	593408701	2
18	CIRCLIP SGA 20	593496301	2
19	SCREW M6X16	593500701	4
20	WASHER M6	593511001	4
21	POWER UNIT GL 1x115V 1.3kW	593548301	1
	POWER UNIT GL 1x230v 2.2kW	593548401	1
22	HOSE 1.5"	110169	0.56M

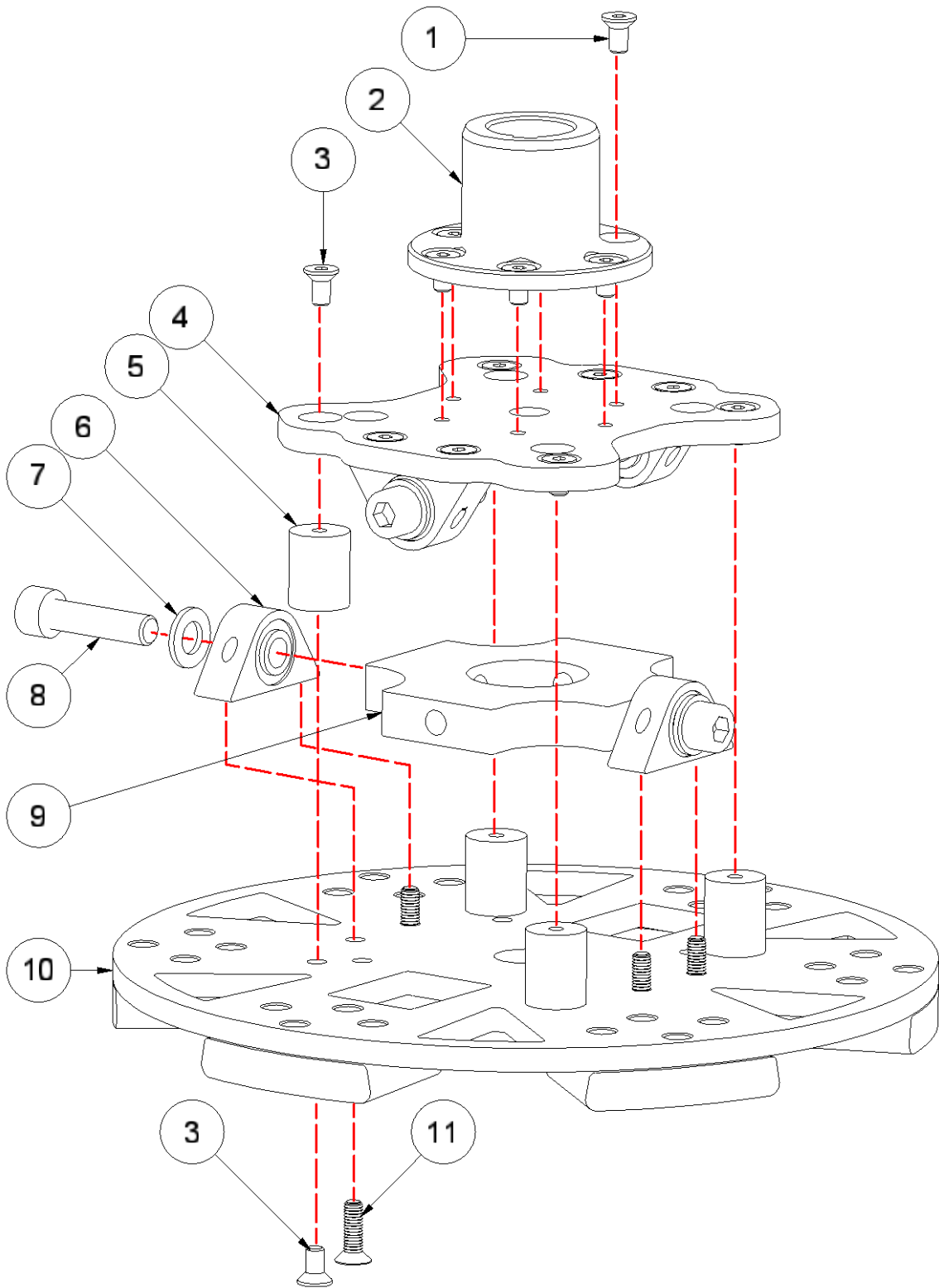
Greyline 270 V.2 Grinding head



Greyline 270 V.2 Grinding head

Item	Description	Part no	Qty
1	MOTOR 1.5kW	593555301	1
	MOTOR 2.2kW	593555401	1
2	GRINDING HEAD BRAKET CMPL LEFT	593521701	1
3	LIFTING HANDLE 1,5 KW MOTOR	593532601	1
4	SCREW M8X25	593499601	2
5	WASHER M8	593500401	2
6	NUT M8	593504701	2
7	WASHER M12	593499401	4
8	SCREW M12X35	593512901	4
9	GRINDING HEAD BRAKET CMPL RIGHT	593521801	1
10	DUST COVER	593520801	1
11	BRUSH STRIP (HEIGHT 15mm)	593446101	0,95M
12	COVER GUIDE	593519001	1
13	SEALING	593416701	1
14	MOTOR PLATE	593520401	1
15	GRIND HOLDER CARDAN	593516901	1
16	WASHER M10	593509901	1
17	SCREW M10X40	595678001	1

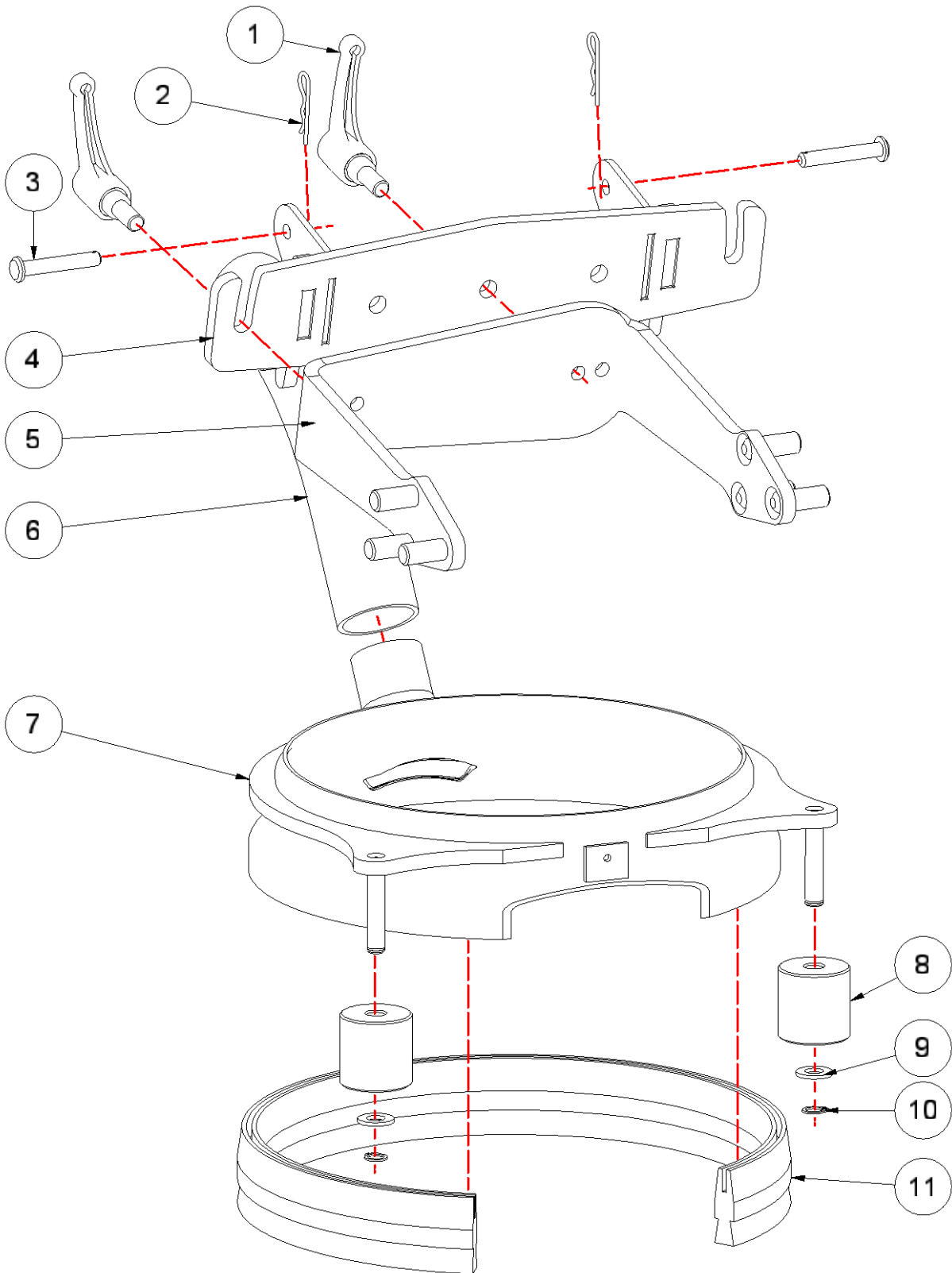
Greyline 270 Grind holder – 593516901



Greyline 270 Grind holder – 500481

Item	Description	Part no	Qty
1	SCREW M6X16	593507801	6
2	ADAPTER	593518901	1
3	SCREW M6X12	593508501	8
4	GRIND HOLDER UPPER CARDAN	593516701	1
5	SHOCK ABSORBER	595748401	4
6	EAR CARDAN	593616401	4
7	WASHER M10	593499101	4
8	SCREW M10X35	593508101	4
9	CARDAN CONNECTION	593438401	1
10	TOOL HOLDER	593516801	1
11	SCREW M6X20	593505101	8

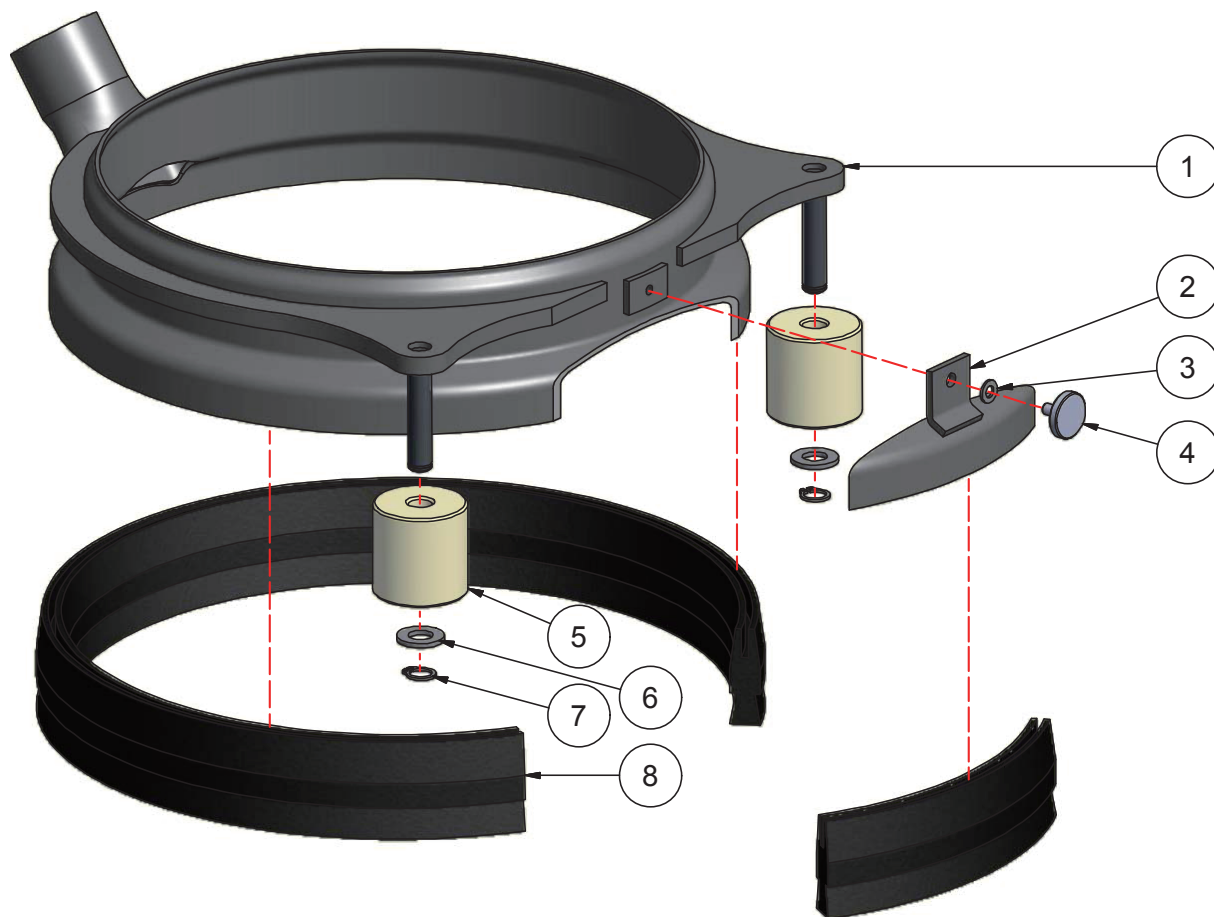
Greyline 270 Add-on edge grinding kit – 593616601



Greyline 270 Add-on edge grinding kit – 593616601

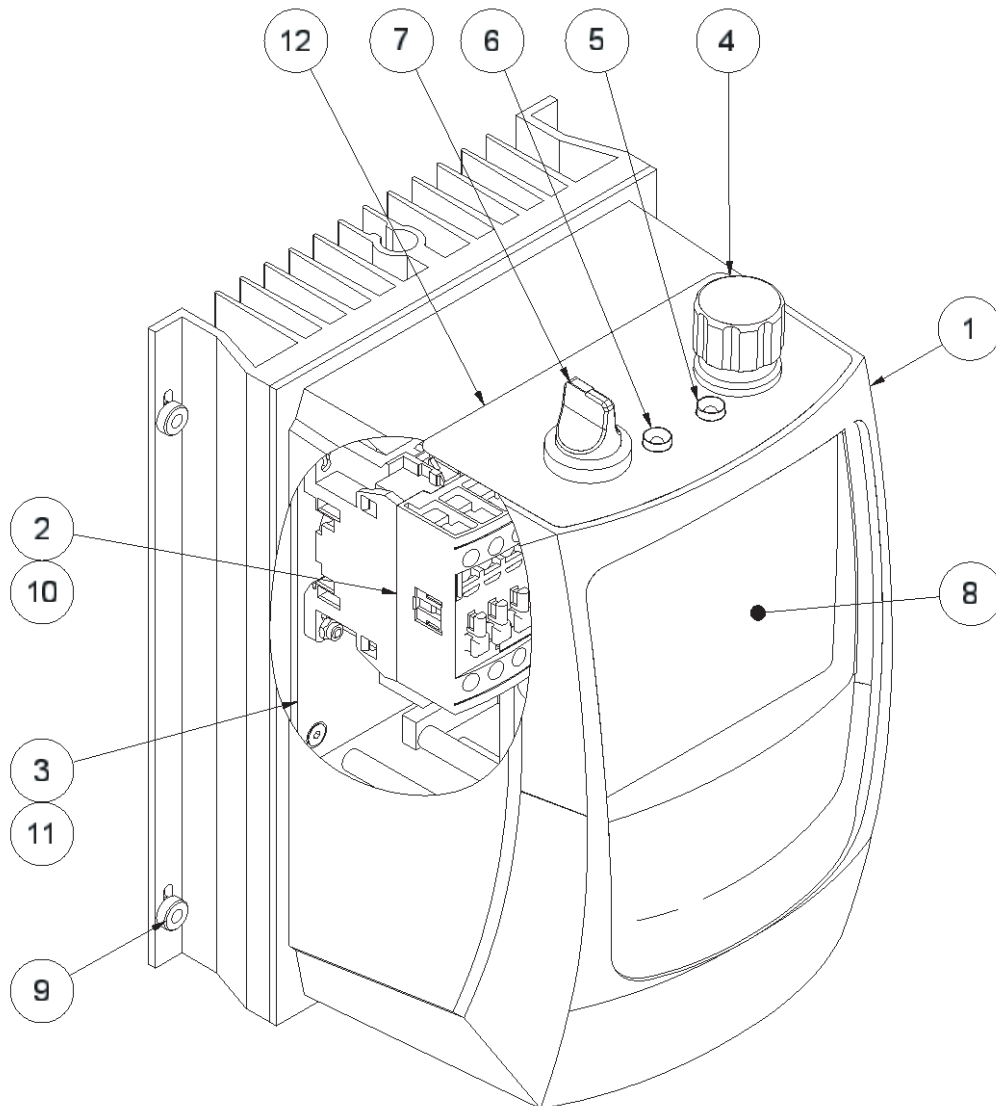
Item	Description	Part no	Qty
1	ADJUSTMENT HANDLE	593458901	2
2	LOCKING CLIP	593502501	2
3	PIN 8X50	593459501	2
4	EDGE GRINDER 270 BRACKET	595695801	1
5	EDGE GRINDER 270 FORK	593521101	1
6	HOSE 1.5"	110169	0.56M
7	EDGE GRINDER 270 DUST COVER	593521201	1
8	EDGE GRINDER 270 COVER WHEEL	593521301	2
9	WASHER M10	593499101	2
10	CIRCLIP SGA 10	593503101	2
11	BRUSH STRIP	593446101	0.80M

Greyline 270 Dust cover V.2



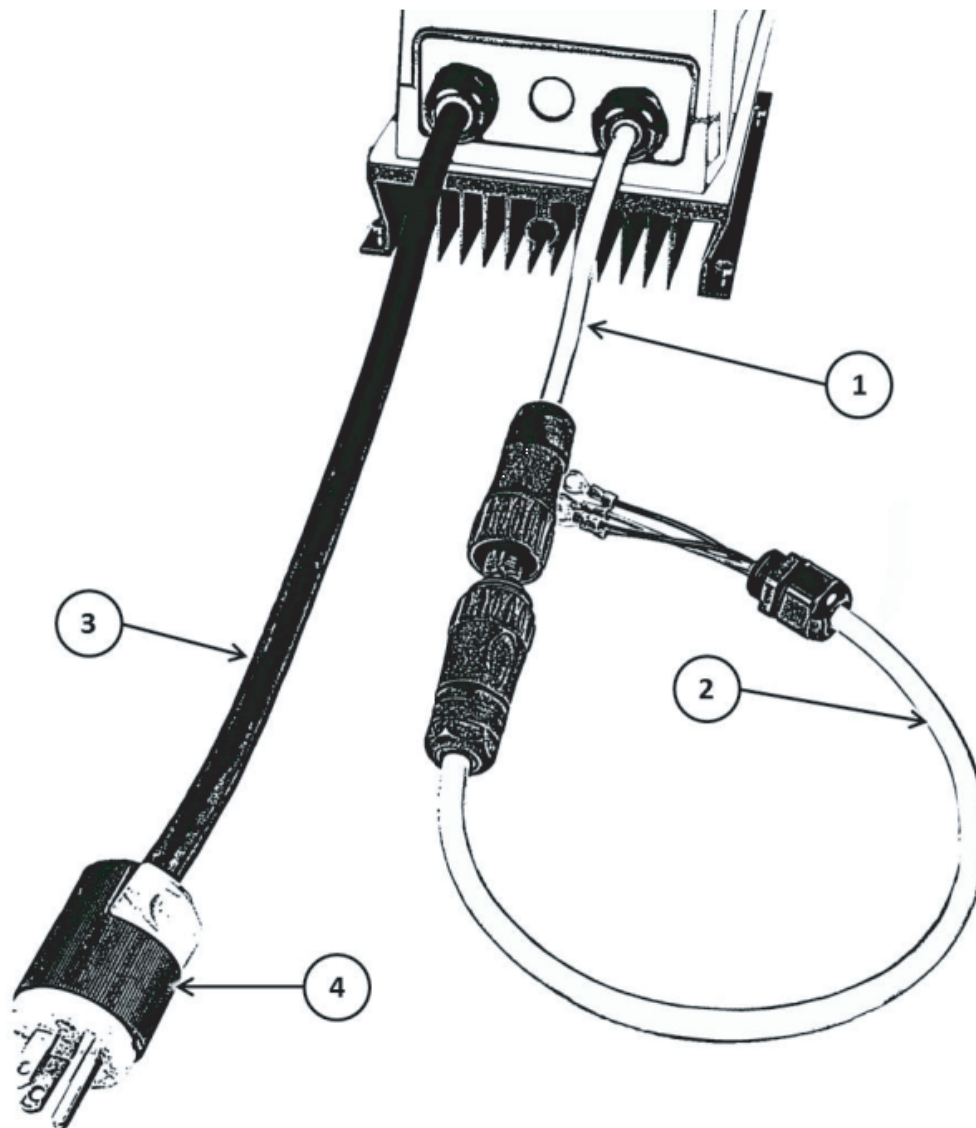
Item	Description	Part no	Qty
1	DUST COVER	593521201	1
2	DUST COVER FRONT	594041601	1
3	WASHER M5	593504301	1
4	SCREW M5X8	593513101	1
5	WHEEL 270 EDGE GRINDER COVER	593521301	2
6	WASHER M10	593499101	2
7	CIRCLIP SGA 10	593503101	2
8	BRUSH STRIP (HEIGHT 15mm)	593446101	150mm + 750mm

Greyline V.2 Electrical – 1x115V 1.3kW – 593548301



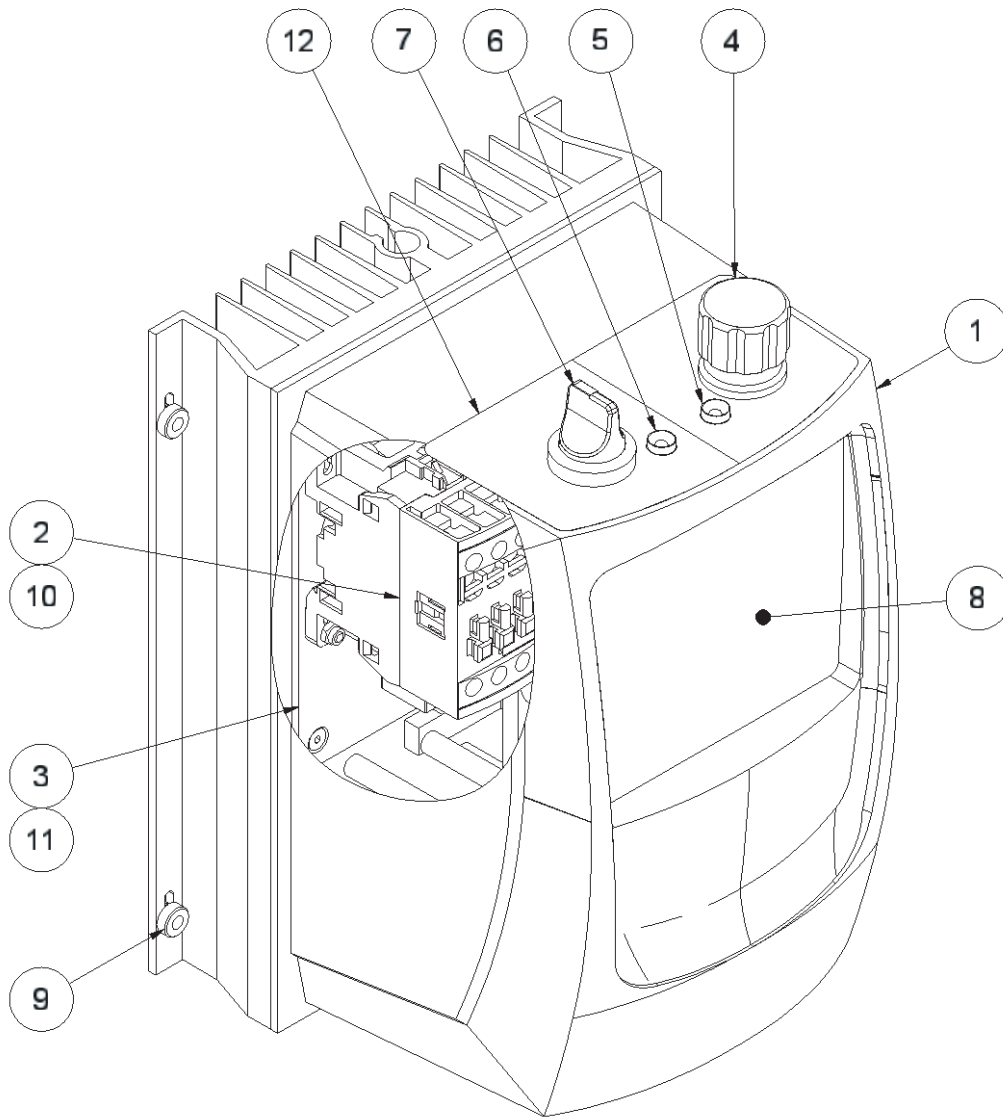
Item	Description	Part no	Qty
1	INVERTER GL V.2 1x115V 1.1kW	595738601	1
2	CONTACTOR	595738901	1
3	CONTACTOR PLATE	595704501	1
4	EMERGENCY STOP	594953301	1
5	LED RED	595739201	1
6	LED GREEN	595739101	1
7	SWITCH 3-POS RETURN	594953401	1
8	COVER PLATE	593532401	1
9	PRESS NUT M6	595679001	4
10	LOCK NUT M4	595672601	2
11	SCREW M4X8	593505601	2
12	OVERLAY	595647801	1

Greyline V.2 Electrical – 1x115V 1.3Kw



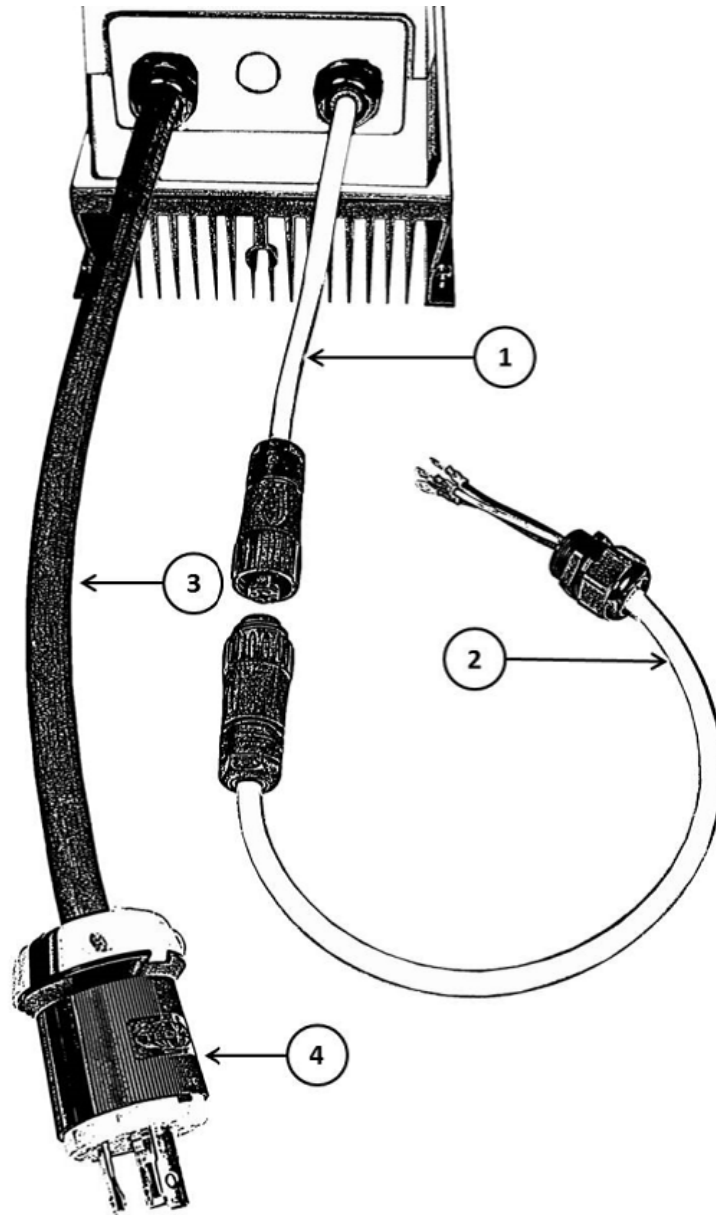
Item	Description	Part no	Qty
1	MOTOR CABLE GL MALE	595728601	1
2	MOTOR CABLE GL FEMALE	595728701	1
3	POWER CABLE GL WITHOUT PLUG	595728301	1
4	PLUG	595785901	1

Greyline V.2 Electrical – 1x230V 2.2kW – 593548401



Item	Description	Part no	Qty
1	INVERTER GL V.2 1x230V 2.2kW	595738701	1
2	CONTACTOR	595738901	1
3	CONTACTOR PLATE	595704501	1
4	EMERGENCY STOP	594953301	1
5	LED RED	595739201	1
6	LED GREEN	595739101	1
7	SWITCH 3-POS RETURN	594953401	1
8	COVER PLATE	593532401	1
9	PRESS NUT M6	595679001	4
10	LOCK NUT M4	595672601	2
11	SCREW M4X8	593505601	2
12	OVERLAY	595647801	1

Greyline V.2 Electrical – 1x230V 2.2kW



Item	Description	Part no	Qty
1	MOTOR CABLE GL MALE	595728601	1
2	MOTOR CABLE GL FEMALE	595728701	1
3	POWER CABLE GL WITHOUT PLUG	595728401	1
4	PLUG	593476801	1

