

OPERATION AND PARTS MANUAL



MODEL GA3.6HR PORTABLE GENERATORS (HONDA GX240RT2EDN2 GASOLINE ENGINE)

Revision #0 (09/17/14)

THIS MANUAL MUST ACCOMPANY THE EQUIPMENT AT ALL TIMES.

TABLE OF CONTENTS

GA3.6HR 60 Hz Portable Generator

| | |
|--|-------|
| Proposition 65/Start Fires Warnings..... | 2 |
| Table Of Contents..... | 3 |
| Nameplate/Safety Information..... | 4 |
| Parts Ordering Procedures..... | 5 |
| Safety Information..... | 6-11 |
| Specifications (Generator)..... | 12 |
| Specifications (Engine)..... | 13 |
| Dimensions..... | 14 |
| Installation..... | 16-17 |
| General Information..... | 18 |
| Components (Generator)..... | 19-21 |
| Inspection/Setup..... | 22-23 |
| Operation..... | 24-26 |
| Shutdown..... | 27 |
| Preparation For Long Term Storage..... | 28 |
| Maintenance..... | 29-33 |
| Generator Wiring Diagram..... | 34 |
| Troubleshooting (Engine)..... | 35-36 |
| Troubleshooting (Generator)..... | 37 |
| Explanation of Code in Remarks Column..... | 38 |
| Suggested Spare Parts..... | 39 |

Component Drawings

| | |
|------------------------------------|-------|
| Nameplate And Decals Assembly..... | 40-41 |
| Generator Assembly..... | 42-43 |
| Control Box Assembly..... | 44-45 |
| Pipe Frame Assembly..... | 46-47 |
| Muffler Assembly..... | 48-49 |
| Wheel Kit Assembly..... | 50-51 |

Honda GX240RT2EDN2 Gasoline Engine

| | |
|-------------------------------|-------|
| Air Cleaner Assembly..... | 52-53 |
| Camshaft Assembly..... | 54-55 |
| Carburetor Assembly..... | 56-57 |
| Control Assembly..... | 58-59 |
| Crankcase Cover Assembly..... | 60-61 |
| Crankshaft Assembly..... | 62-63 |
| Cylinder Barrel Assembly..... | 64-65 |
| Cylinder Head Assembly..... | 66-67 |
| Fan Cover Assembly..... | 68-69 |
| Flywheel Assembly..... | 70-71 |
| Ignition Coil Assembly..... | 72-73 |
| Piston Assembly..... | 74-75 |
| Recoil Starter Assembly..... | 76-77 |
| Solenoid Assembly..... | 78-79 |
| Engine Decals Assembly..... | 80-81 |

| | |
|---|----|
| Terms and Conditions of Sale — Parts..... | 82 |
|---|----|

SUGGESTED SPARE PARTS

GA3.6HR PORTABLE 60 HZ GENERATOR WITH HONDA GX240RT2EDN2 GASOLINE ENGINE

1 to 3 units

| Qty. | P/N | Description |
|--------|------------------|-------------------------|
| 1..... | 0430430120..... | CAP FUEL TANK |
| 1..... | 0641360030..... | FILTER FUEL |
| 3..... | 16950ZB4015..... | FUEL STRAINER |
| 2..... | 7895419004..... | RUBBER SUSPENSION |
| 2..... | 1665419004..... | RUBBER SUSPENSION |
| 3..... | 9807955876..... | SPARK PLUG |
| 1..... | 35480ZF6003..... | SWITCH ASSY., OIL ALERT |
| 2..... | 28462ZE2W11..... | ROPE, RECOIL |
| 3..... | 17211899000..... | ELEMENT AIR CLEANER |

NOTICE

Part numbers on this Suggested Spare Parts list may supersede/replace the part numbers shown in the following parts lists.

GA3.6HR — NAMEPLATE AND DECALS ASSY.

OPERATING INSTRUCTIONS

1. Before starting check the oil and fuel level.
2. Switch the circuit breaker to the "OFF" position.
3. Open the fuel valve.
4. Pull the choke knob.
5. Turn the operation switch to the "ON" position.
6. Pull the recoil starter.
7. After the engine starts, gradually push in the choke knob.
8. Run the generator for 3-5 minutes without load.
9. Check for any abnormal noise or smell.
10. Switch the circuit breaker to the "ON" position.
11. When stopping, cut-off the load and allow the unit to cool for 2-3 minutes before stopping engine.
12. Turn the operation switch to the "OFF" position.
13. After the engine completely stops, close the fuel valve.

AB1110010

⚠ DANGER

Using a generator incorrectly **CAN KILL YOU IN MINUTES.**
 Utiliser un générateur à l'imprudence **VOUS TUERA EN QUELQUES MINUTES.**

Exhaust contains carbon monoxide, a poison gas you cannot see or smell.
 Les gaz d'échappement contiennent du monoxyde de carbone, un gaz toxique invisible et inodore.

NEVER use in enclosed or partially enclosed areas.
UNIQUEMENT utiliser à l'extérieur.

ONLY use outdoors and away from open windows, doors, and vents.
UNIQUEMENT utiliser à l'extérieur à l'écart des ouvertures de fenêtres, de portes et de conduits.

MODEL _____

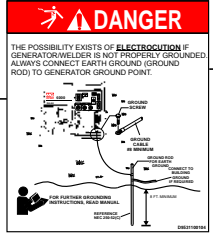
SERIAL NO. _____

⚠ WARNING

Operation of this equipment may create sparks that can start fires around dry vegetation.

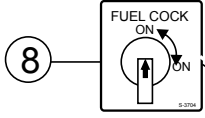
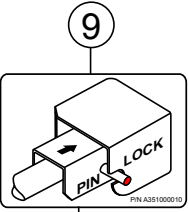
A spark arrestor may be required. The operator should contact local fire agencies for laws or regulation relating to fire prevention requirements.

AB1110010



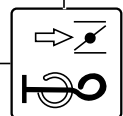
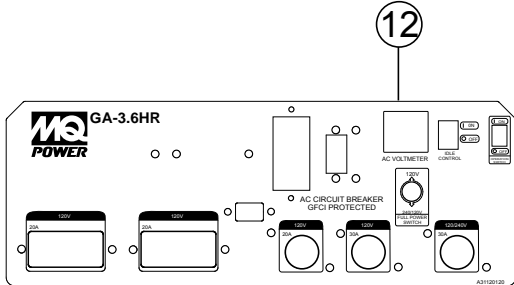
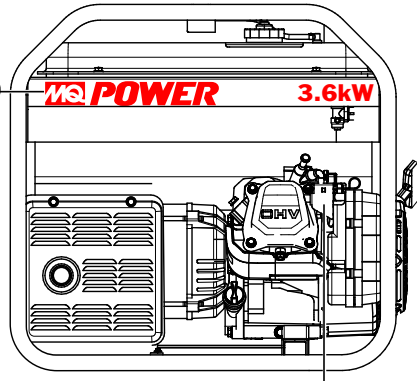
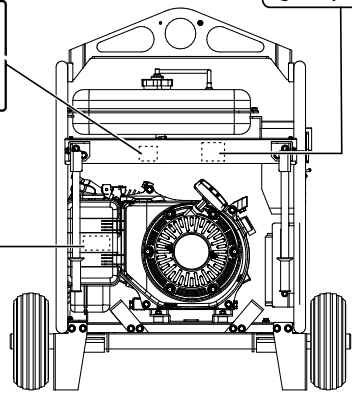
| | | |
|--|---|--|
| <p>⚠ WARNING</p> <p>To avoid injury, you MUST read and understand operator's manual before using this machine.</p> <p>This machine to be operated by qualified personnel only. Ask for training as needed.</p> | <p>⚠ DANGER</p> <p>Do not touch metal terminals or internal wiring while unit is operating. If you are servicing this equipment, turn off power before servicing.</p> | <p>CAUTION</p> <p>OPERATE AT 3600 RPM ONLY (FULL THROTTLE)</p> <p>DAMAGE MAY RESULT IF OPERATED AT LOWER SPEEDS</p> |
| | <p>⚠ WARNING</p> <p>Only operate machine in well-ventilated areas. DO NOT inhale exhaust gases.</p> <p>DANGEROUS GAS</p> <p>Only qualified personnel should install, use or service this equipment in service this.</p> | <p>⚠ WARNING</p> <p>BEFORE DISCONNECTING TOOLS FROM ELECTRICAL SYSTEM, DISCONNECT AND LABEL ALL ELECTRICAL CONNECTIONS AND DISCONNECT MAIN POWER SWITCH.</p> <p>BEFORE REPAIR OR MAINTENANCE, DISCONNECT MAIN POWER SWITCH.</p> |

AB1110010



AIR CLEANER MAINTENANCE

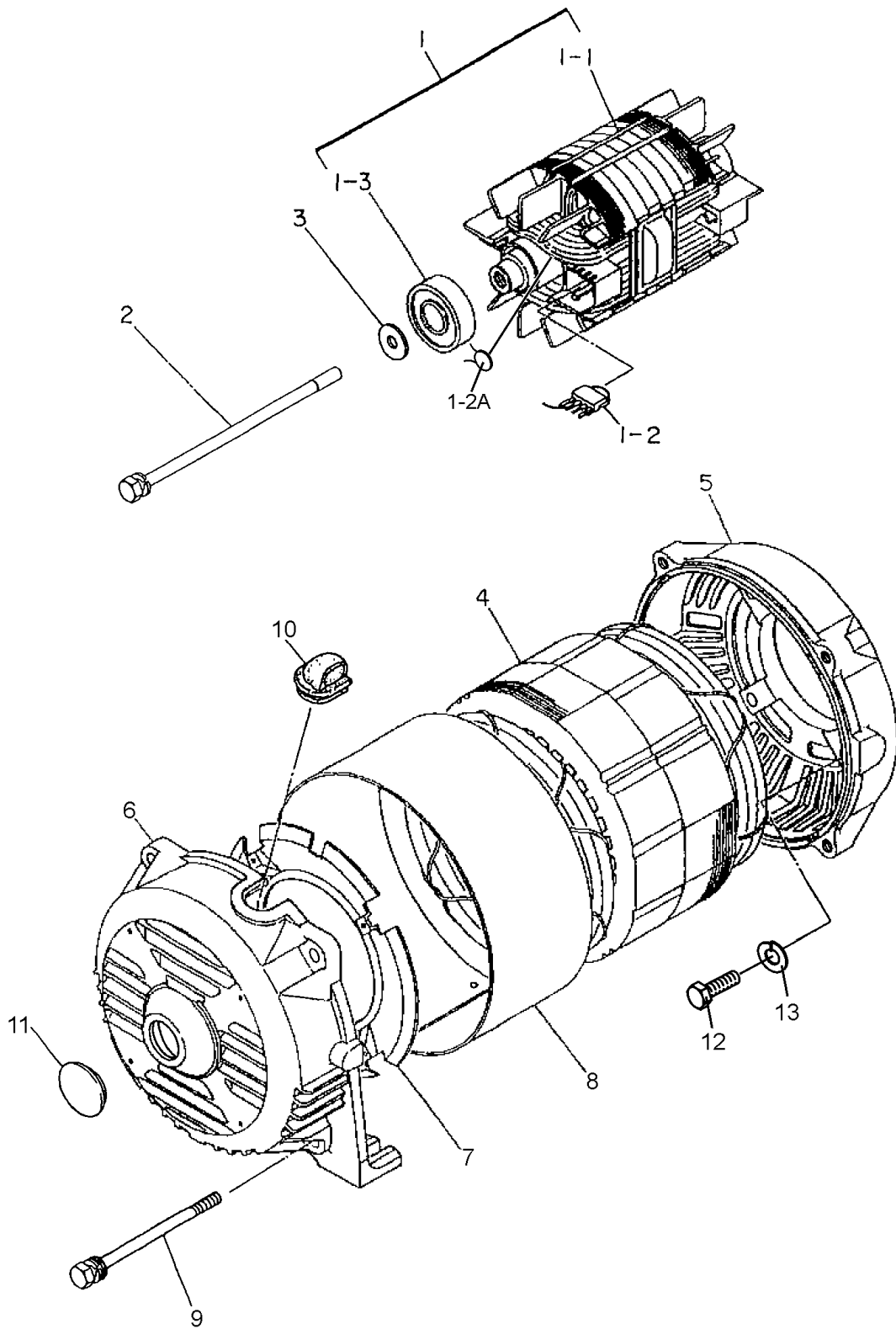
- CLEAN ELEMENT EVERY 50 HOURS (EVERY 10 HOURS UNDER DUSTY CONDITIONS). WASH IN HIGH FLASH-POINT SOLVENT. SQUEEZE DRY, THE DIP IN CLEAN ENGINE OIL AND SQUEEZE OUT EXCESS OIL.



GA3.6HR — NAMEPLATE AND DECALS ASSY.

| <u>NO.</u> | <u>PART NO.</u> | <u>PART NAME</u> | <u>QTY.</u> | <u>REMARKS</u> |
|-------------------|------------------------|------------------------------------|--------------------|-------------------------|
| 1 | A9521200104 | DECAL: OPERATING INSTRUCTIONS | 1 | A92120010 |
| 2 | A9504000014 | DECAL: WARNING DANGEROUS GAS | 1..... | A90400001 |
| 3 | | DECAL: NAMEPLATE..... | 1..... | CONTACT MQ PARTS DEPT. |
| 4 | M9504200004 | DECAL: WARNING START FIRES | 1..... | M90420000 |
| 5 | D9531100104 | DECAL: DANGER ELECTROCUTION | 1..... | A93110010 |
| 6 | 0800628504 | DECAL: GROUND | 1..... | S1123 |
| 7 | A9511100103 | DECAL: WARNING | 1..... | A91110010 |
| 8 | 1980680004 | DECAL: FUEL COCK | 1..... | S3704 |
| 9 | A3551000104 | DECAL: HANDLE OPERATION | 1..... | A35100010 |
| 10 | 87533ZC0630 | DECAL: AIR CLEANER | 1..... | REPLACES P/N 0600500045 |
| 11 | A3561000503 | DECAL: MQ POWER GA3.6H | 1 | |
| 12 | A3511201202 | DECAL: CONTROL PANEL | 1..... | A31120120 |
| 13 | 87528898620 | DECAL: CHOKE | 1..... | REPLACES P/N 0600500047 |

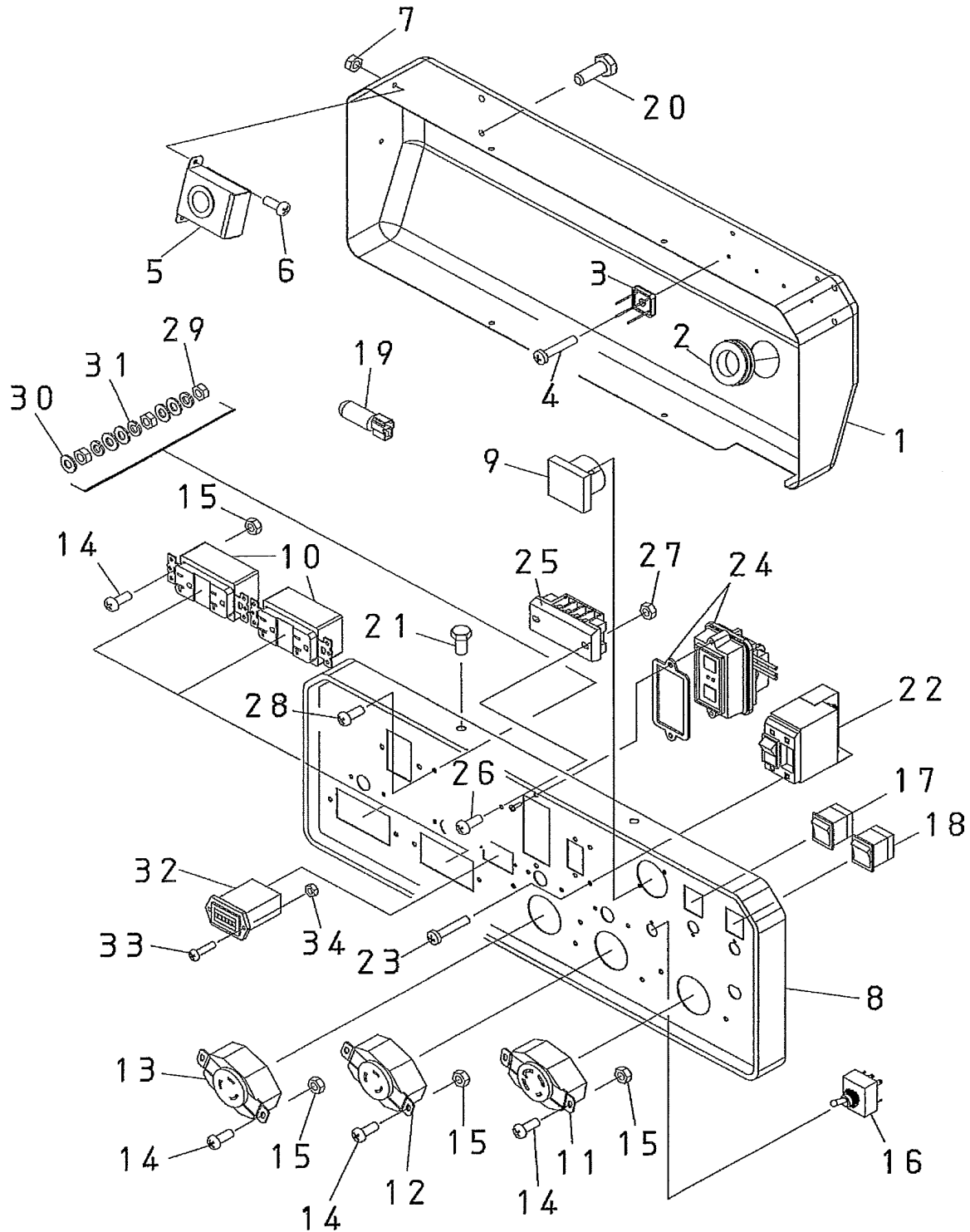
GA3.6HR — GENERATOR ASSY.



GA3.6HR — GENERATOR ASSY.

| <u>NO.</u> | <u>PART NO.</u> | <u>PART NAME</u> | <u>QTY.</u> | <u>REMARKS</u> |
|------------|-----------------|---------------------|-------------|-------------------------|
| 1 | 7911002003 | ROTOR ASSY. | 1 | |
| 1-1 | | FIELD ASSY. | 1 | |
| 1-2 | 0601823213 | RECTIFIER | 2 | |
| 1-2A | 0601822638 | SURGE ABSORBER | 2 | |
| 1-3 | 0071706304 | BEARING | 1 | |
| 2 | 7911017004 | SET BOLT, ROTOR | 1 | |
| 3 | 0801086104 | SET WASHER, BEARING | 1 | |
| 4 | A3135000003 | ARMATURE ASSY. | 1 | |
| 5 | 7901315502 | END BRACKET | 1 | |
| 6 | 7871315022D | END BRACKET | 1 | REPLACES P/N 7871315022 |
| 7 | 7875021523 | GUIDE PANEL, AIR | 1 | |
| 8 | 7661331003 | COVER | 1 | |
| 9 | 7911316004 | SET BOLT, STATOR | 4 | |
| 10 | 7871329514 | GROMMET | 1 | |
| 11 | 0601851760 | CAP | 1 | |
| 12 | 0013608020 | HEX. HEAD BOLT | 4 | |
| 13 | 0040008000 | WASHER, LOCK | 4 | |

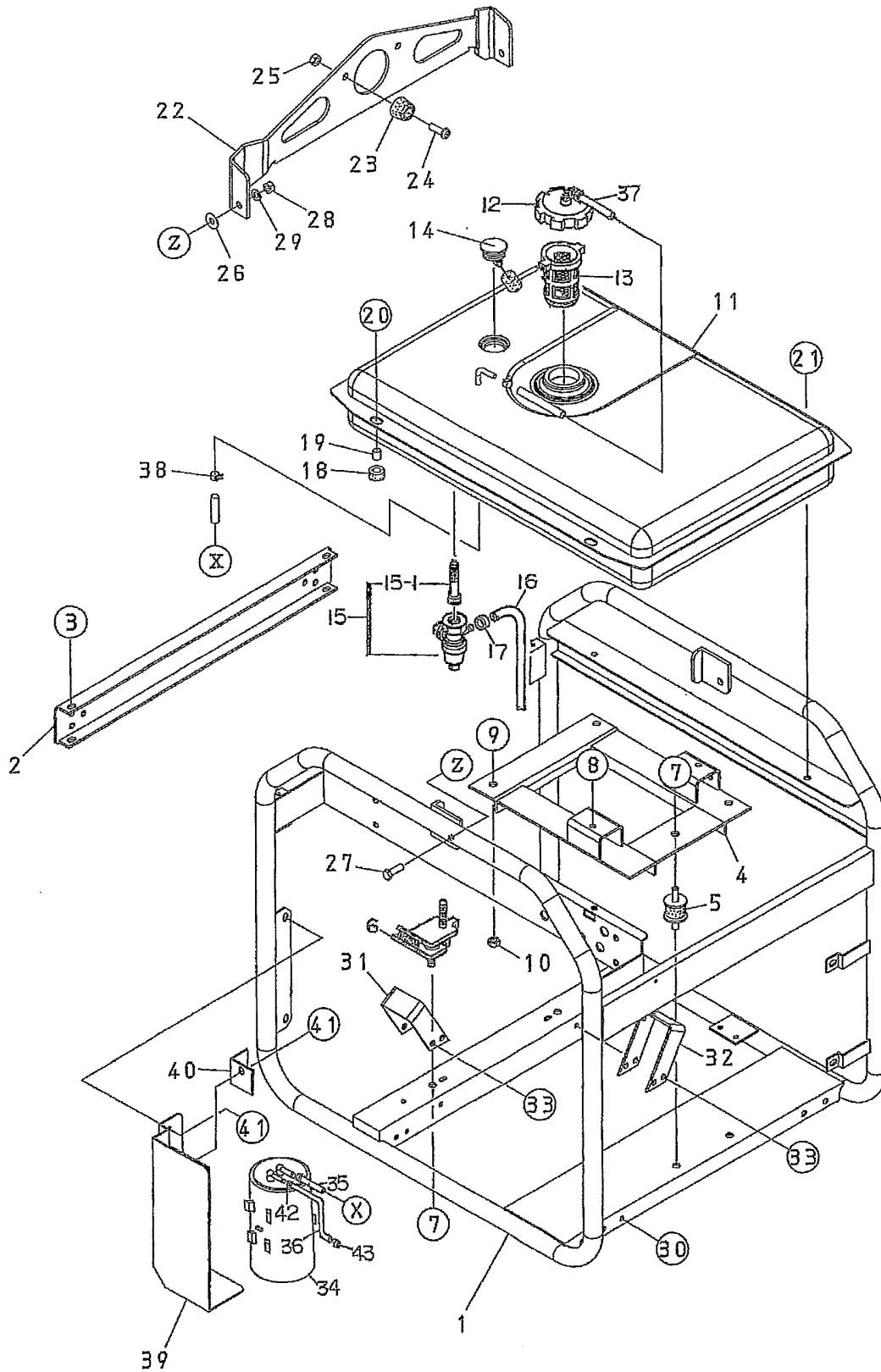
GA3.6HR — CONTROL BOX ASSY.



GA3.6HR — CONTROL BOX ASSY.

| <u>NO.</u> | <u>PART NO.</u> | <u>PART NAME</u> | <u>QTY.</u> | <u>REMARKS</u> |
|------------|-----------------|------------------------------|-------------|-------------------------|
| 1 | A3214000403 | CONTROL BOX | 1 | |
| 2 | 0601850102 | GROMMET | 1 | |
| 3 | 0601823204 | RECTIFIER | 2 | |
| 4 | 0027103012 | MACHINE SCREW | 2 | |
| 5 | 0601823853 | SLOW DOWN UNIT | 1 | |
| 6 | 0027104010 | MACHINE SCREW | 2 | |
| 7 | OEMAA8 | HEX. NUT | 2 | REPLACES P/N 0207004000 |
| 8 | A3224000703 | CONTROL PANEL | 1 | |
| 9 | 0601806819 | AC VOLTMETER, 0~120 240V | 1 | |
| 10 | 0601814065 | RECEPTACLE | 2 | |
| 11 | 0601811092 | RECEPTACLE | 1 | REPLACES P/N 0601812592 |
| 12 | 0601811031 | RECEPTACLE | 1 | REPLACES P/N 0601811035 |
| 13 | 0601814010 | RECEPTACLE | 1 | |
| 14 | 0021004010 | MACHINE SCREW | 10 | |
| 15 | OEMAA8 | HEX. NUT | 10 | REPLACES P/N 0207004000 |
| 16 | 0601830737 | FULL POWER SWITCH | 1 | |
| 17 | 0601831620 | IDLE CONTROL SWITCH | 1 | |
| 18 | 0601831620 | OPERATION SWITCH | 1 | |
| 19 | A3262800004 | CONDENSER ASSY. | 1 | |
| 20 | 0011106015 | HEX. HEAD BOLT | 4 | REPLACES P/N 0017106015 |
| 21 | 0017105010 | HEX. HEAD BOLT | 4 | |
| 22 | 0601872300 | CIRCUIT BREAKER, 120V 15A 2P | 1 | |
| 23 | 0021003005 | MACHINE SCREW | 4 | |
| 24 | 0601829301 | EARTH LEAKAGE RELAY, 120V | 1 | |
| 25 | Y0601815779 | TERMINAL BOARD | 1 | |
| 26 | 0021004020 | MACHINE SCREW | 2 | |
| 27 | OEMAA8 | HEX. NUT | 2 | REPLACES P/N 0207004000 |
| 28 | 0021004025 | MACHINE SCREW | 1 | |
| 29 | OEMAA8 | HEX. NUT | 3 | REPLACES P/N 0030004000 |
| 30 | 58042 | WASHER, FLAT | 5 | REPLACES P/N 0041204000 |
| 31 | 0040004000 | WASHER, LOCK | 3 | |
| 32 | Y0601800699 | HOUR METER | 1 | |
| 33 | Y0021003012 | HEX. HEAD BOLT | 2 | |
| 34 | 0207003000 | HEX. NUT | 2 | |

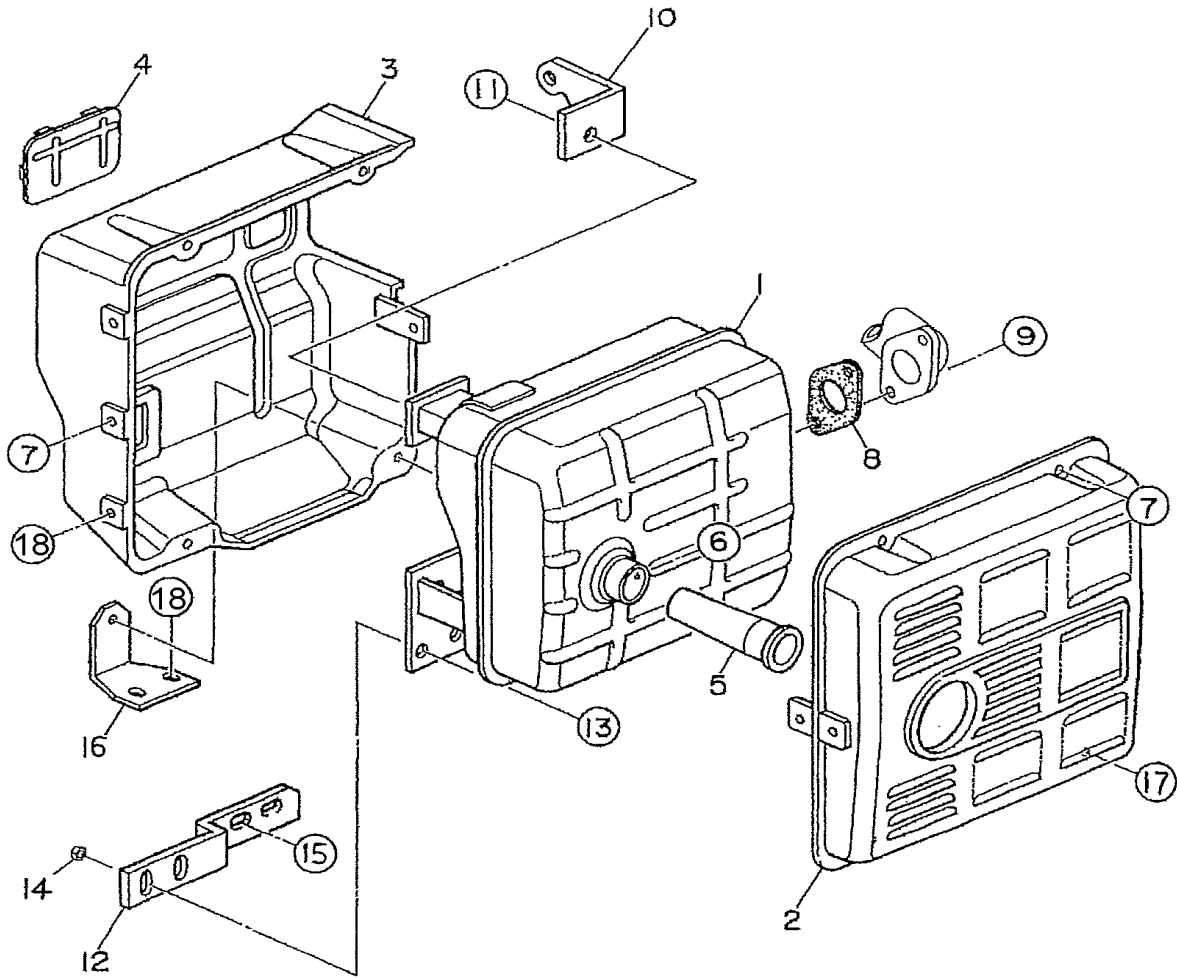
GA3.6HR — PIPE FRAME ASSY.



GA3.6HR — PIPE FRAME ASSY.

| <u>NO.</u> | <u>PART NO.</u> | <u>PART NAME</u> | <u>QTY.</u> | <u>REMARKS</u> |
|------------|-----------------|-------------------------|-------------|--------------------------|
| 1 | A3417000502 | PIPE FRAME | 1 | |
| 2 | A3417100204 | BRACKET | 1 | |
| 3 | 011106015 | HEX. HEAD BOLT | 4 | REPLACES P/N 0017106015 |
| 4 | 7915443003 | BASE | 1 | |
| 5 | 7895419004 | RUBBER SUSPENSION | 2 | |
| 6 | 1665419004 | RUBBER SUSPENSION | 2 | REPLACES P/N 1725419214 |
| 7 | 020108060 | HEX. NUT | 8 | REPLACES P/N 0207008000 |
| 8 | 0017108030 | HEX. HEAD BOLT | 2 | |
| 9 | 0017108040 | HEX. HEAD BOLT | 2 | |
| 10 | Y0207008000 | HEX. NUT | 2 | |
| 11 | A3361000004 | FUEL TANK | 1 | |
| 12 | 0430430120 | CAP, FUEL TANK | 1 | REPLACES P/N 0605505068 |
| 13 | 0641360030 | FUEL FILTER..... | 1 | REPLACES P/N 0605505162 |
| 14 | 0602125034 | FUEL GAUGE | 1 | |
| 15 | 16950ZB4015 | FUEL STRAINER..... | 1 | REPLACES P/N 0605510068 |
| 15-1 | 16952KJ9752 | SCREEN SET | 1 | REPLACES P/N 16952ZB4005 |
| 16 | Y0605513215 | HOSE | 1 | |
| 17 | 950024080008 | HOSE BAND | 2 | |
| 18 | 7855525514 | RUBBER CUSHION | 2 | |
| 19 | 7855525604 | COLLAR | 2 | |
| 20 | 011208030 | HEX. HEAD BOLT | 2 | REPLACES P/N 0017108030 |
| 21 | 011008020 | HEX. HEAD BOLT | 2 | REPLACES P/N 0017108020 |
| 22 | A9117200103 | HANGER | 1 | |
| 23 | 0601850097 | STOPPER | 1 | |
| 24 | 011208025 | MACHINE SCREW | 1 | REPLACES P/N 0021008025 |
| 25 | 020108060 | HEX. NUT | 1 | REPLACES P/N 0207008000 |
| 26 | 0601851116 | PLASTIC WASHER | 2 | |
| 27 | 011208025 | HEX. HEAD BOLT | 2 | REPLACES P/N 0011308025 |
| 28 | 0207608000 | HEX. NUT | 2 | |
| 29 | 0042108000 | WASHER, FLAT | 2 | |
| 30 | 0019206015 | HEX. HEAD BOLT | 1 | |
| 31 | 7915455103 | COVER | 1 | |
| 32 | 7855455003 | COVER | 1 | |
| 33 | 011106015 | HEX. HEAD BOLT | 6 | REPLACES P/N 0017106015 |
| 34 | 0605507002 | CANISTER | 1 | |
| 35 | 0605513202 | HOSE | 1 | |
| 36 | Y0605513210 | HOSE | 1 | |
| 37 | 0605513189 | HOSE | 1 | |
| 38 | 0605515223 | HOSE BAND | 2 | |
| 39 | A3261600103 | BRACKET | 1 | |
| 40 | A3261600204 | STOPPER | 1 | |
| 41 | 011106015 | HEX. HEAD BOLT | 3 | REPLACES P/N 0016906015 |
| 42 | 0605515170 | HOSE BAND | 1 | |
| 43 | Y0605515229 | HOSE BAND | 1 | |

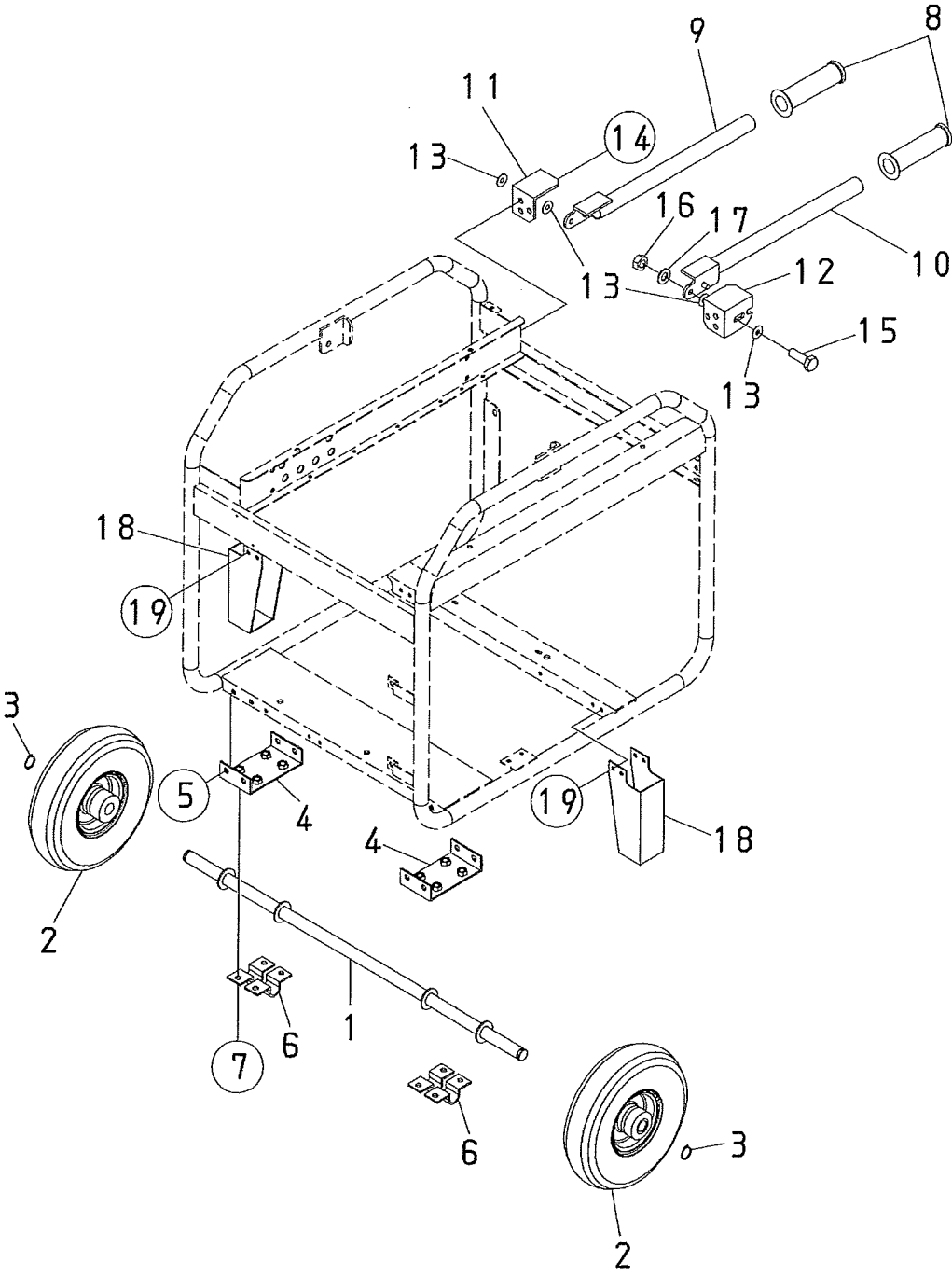
GA3.6HR — MUFFLER ASSY.



GA3.6HR — MUFFLER ASSY.

| <u>NO.</u> | <u>PART NO.</u> | <u>PART NAME</u> | <u>QTY.</u> | <u>REMARKS</u> |
|------------|-----------------|----------------------|-------------|-------------------------|
| 1 | 7912310003 | MUFFLER | 1 | |
| 2 | 18320ZB4000 | PROTECTOR | 1 | |
| 3 | 18325ZB4000 | PROTECTOR | 1 | |
| 4 | 18329ZB4000 | SEAL | 2 | |
| 5 | 18355ZB4630 | ARRESTOR, SPARK | 1 | |
| 6 | 90002ZE2U91 | TAPPING SCREW | 1 | |
| 7 | 0105050616 | HEX. HEAD BOLT | 5..... | REPLACES P/N 0017106012 |
| 8 | 18333ZB4801 | GASKET | 1 | |
| 9 | 957010802000 | HEX. HEAD BOLT | 2 | |
| 10 | 7915461004 | BRACKET | 1 | |
| 11 | 0017108020 | HEX. HEAD BOLT | 1..... | REPLACES P/N 0017108020 |
| 12 | 7915460004 | BRACKET | 1 | |
| 13 | 0017108025 | HEX. HEAD BOLT | 2..... | REPLACES P/N 0017108025 |
| 14 | 020108060 | HEX. NUT | 2..... | REPLACES P/N 0207008000 |
| 15 | 011008020 | HEX. HEAD BOLT | 2..... | REPLACES P/N 0017108020 |
| 16 | 7915469004 | BRACKET | 1 | |
| 17 | 011206020 | HEX. HEAD BOLT | 1..... | REPLACES P/N 0017106020 |
| 18 | 0105050616 | HEX. HEAD BOLT | 4..... | REPLACES P/N 0017106012 |

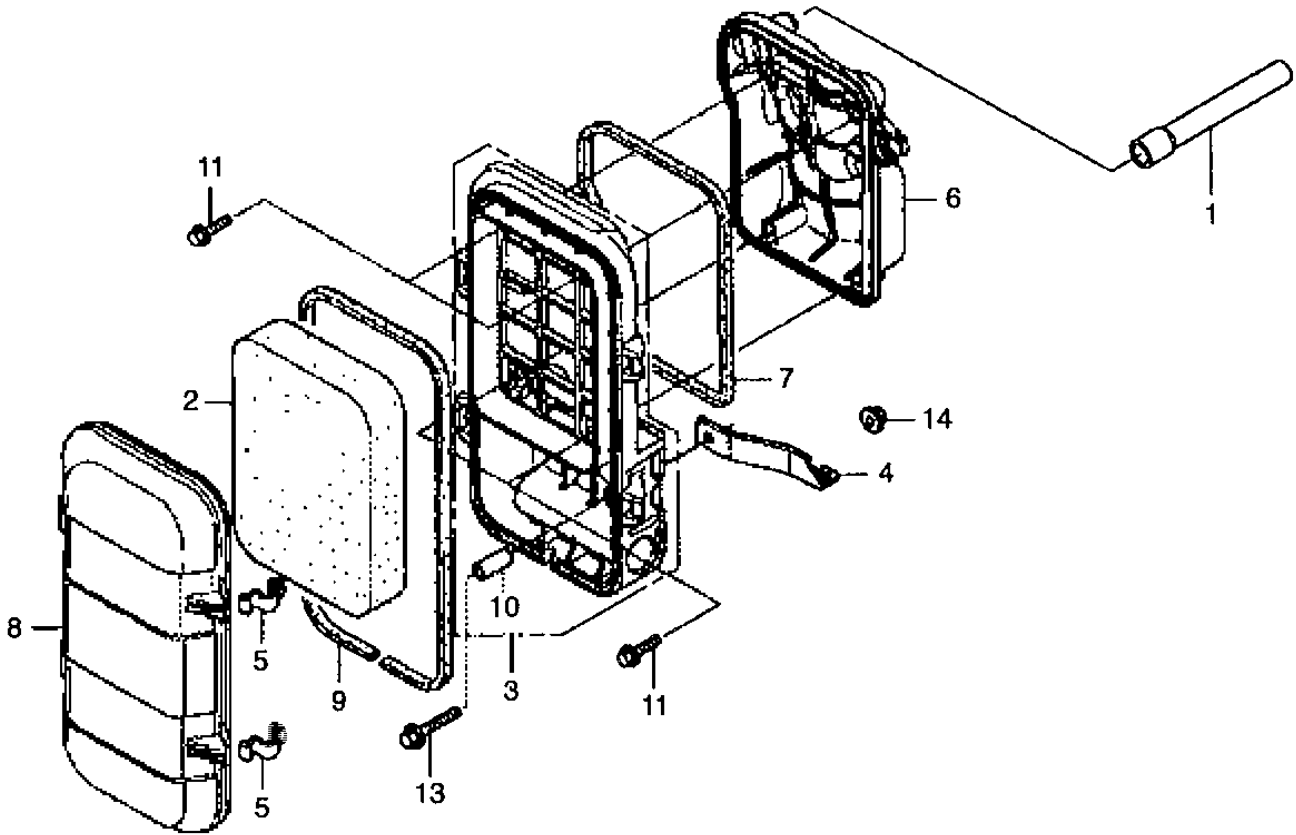
GA3.6HR — WHEEL KIT ASSY.



GA3.6HR — WHEEL KIT ASSY.

| <u>NO.</u> | <u>PART NO.</u> | <u>PART NAME</u> | <u>QTY.</u> | <u>REMARKS</u> |
|------------|-----------------|----------------------|-------------|-------------------------|
| 1 | A3417400303 | AXLE | 1 | |
| 2 | Y0605802053 | TIRE ASSY. | 2 | |
| 3 | Y0080000020 | SNAP RING | 2 | |
| 4 | A3417400404 | BRACKET | 2 | |
| 5 | 011008020 | HEX. HEAD BOLT | 8..... | REPLACES P/N 0016908020 |
| 6 | L0120236304 | BRACKET, BRAKE SHAFT | 4 | |
| 7 | 011008020 | HEX. HEAD BOLT | 8..... | REPLACES P/N 0016908020 |
| 8 | W0805003103 | GRIP | 2 | |
| 9 | A3417400704 | HANDLE | 1 | |
| 10 | A3417400804 | HANDLE | 1 | |
| 11 | A3417401304 | BRACKET, HANDLE | 1 | |
| 12 | A3417401404 | BRACKET, HANDLE | 1 | |
| 13 | 0601851116 | WASHER | 4 | |
| 14 | 0012308020 | HEX. HEAD BOLT | 6 | |
| 15 | 0010108025 | HEX. HEAD BOLT | 2 | |
| 16 | 0207608000 | U-NUT | 2 | |
| 17 | 0401450080 | WASHER, FLAT | 2..... | REPLACES P/N 0041208000 |
| 18 | A3417400904 | STAND | 2 | |
| 19 | 011106015 | HEX. HEAD BOLT | 8..... | REPLACES P/N 0016906015 |

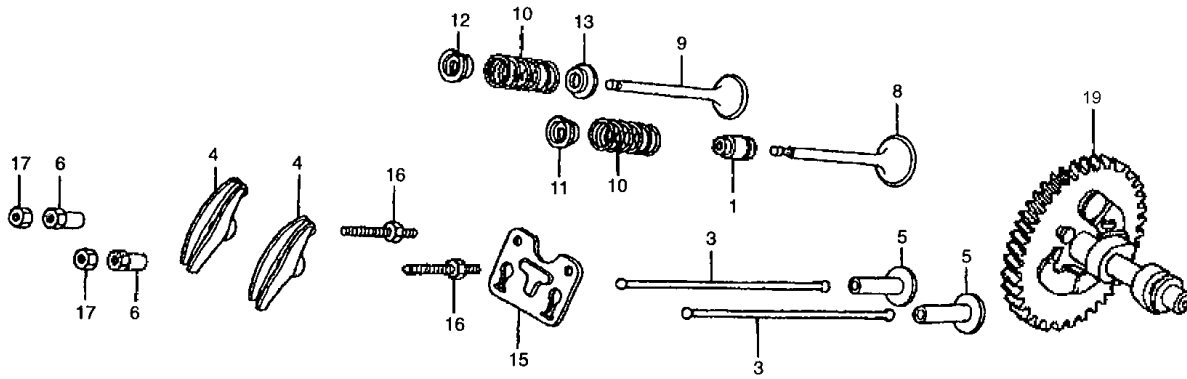
HONDA GX240RT2EDN2 — AIR CLEANER ASSY.



HONDA GX240RT2EDN2 — AIR CLEANER ASSY.

| <u>NO.</u> | <u>PART NO.</u> | <u>PART NAME</u> | <u>QTY.</u> | <u>REMARKS</u> |
|------------|-----------------|------------------------------|-------------|----------------|
| 1 | 15721Z23H60 | TUBE, BREATHER | 1 | |
| 2 | 17211899000 | ELEMENT, AIR CLEANER | 1 | |
| 3 | 17220Z23S30 | CASE COMP., AIR CLEANER | 1 | |
| 4 | 17222Z23H60 | STAY, AIR CLEANER | 1 | |
| 5 | 17223Z23000 | SPRING, AIR CLEANER CASE LID | 2 | |
| 6 | 17223Z23S30 | BASE COMP., AIR CLEANER | 1 | |
| 7 | 17229Z23H60 | SEAL, AIR CLEANER CASE | 1 | |
| 8 | 17231Z23H60 | COVER, AIR CLEANER | 1 | |
| 9 | 17233Z23H60 | SEAL, AIR CLEANER COVER | 1 | |
| 10 | 17238ZE7710 | COLLAR, AIR CLEANER | 1 | |
| 11 | 90005ZM3000 | BOLT, FLANGE 5X18 | 4 | |
| 13 | 90854ZB3000 | RUBBER, FUEL 9X15X20 | 1 | |
| 14 | 9405006000 | NUT, FLANGE 6MM | 1 | |
| 15 | 957010603208 | BOLT, FLANGE 6X32 | 1 | |

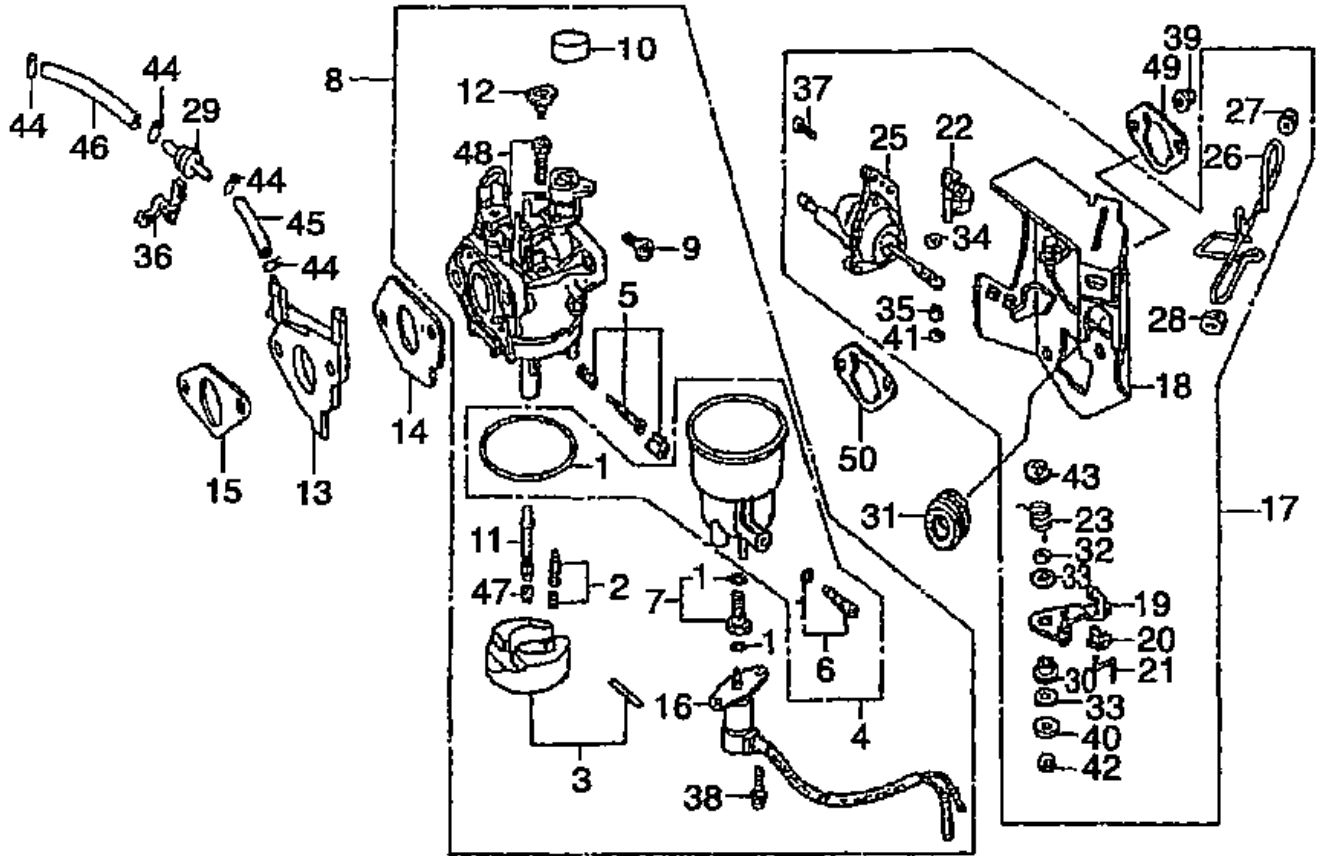
HONDA GX240RT2EDN2 — CAMSHAFT ASSY.



HONDA GX240RT2EDN2 — CAMSHAFT ASSY.

| <u>NO.</u> | <u>PART NO.</u> | <u>PART NAME</u> | <u>QTY.</u> | <u>REMARKS</u> |
|------------|-----------------|----------------------------|-------------|----------------|
| 1 | 12209ZE8003 | SEAL, VALVE STEM | 1 | |
| 3 | 14410Z1D000 | ROD, PUSH | 2 | |
| 4 | 14431ZE2010 | ARM, VALVE ROCKER | 2 | |
| 5 | 14441ZE2000 | LIFTER, VALVE | 2 | |
| 6 | 14451ZE1013 | PIVOT, ROCKER ARM | 2 | |
| 8 | 14711Z5K000 | VALVE, IN. | 1 | |
| 9 | 14721Z5K000 | VALVE, EX. | 1 | |
| 10 | 14751Z1C000 | SPRING, VALVE | 2 | |
| 11 | 14771Z8S000 | RETAINER, IN. VALVE SPRING | 1 | |
| 12 | 14771Z8S000 | RETAINER, EX. VALVE SPRING | 1 | |
| 13 | 14775ZE2010 | SEAT, VALVE SPRING | 1 | |
| 15 | 14791Z1D000 | GUIDE, PUSH ROD | 1 | |
| 16 | 90012ZE0010 | BOLT, PIVOT 8MM | 2 | |
| 17 | 90206ZE1000 | NUT, PIVOT ADJUSTING | 2 | |
| 19 | 14100Z5K910 | CAMSHAFT COMP. (STD) | 1 | |

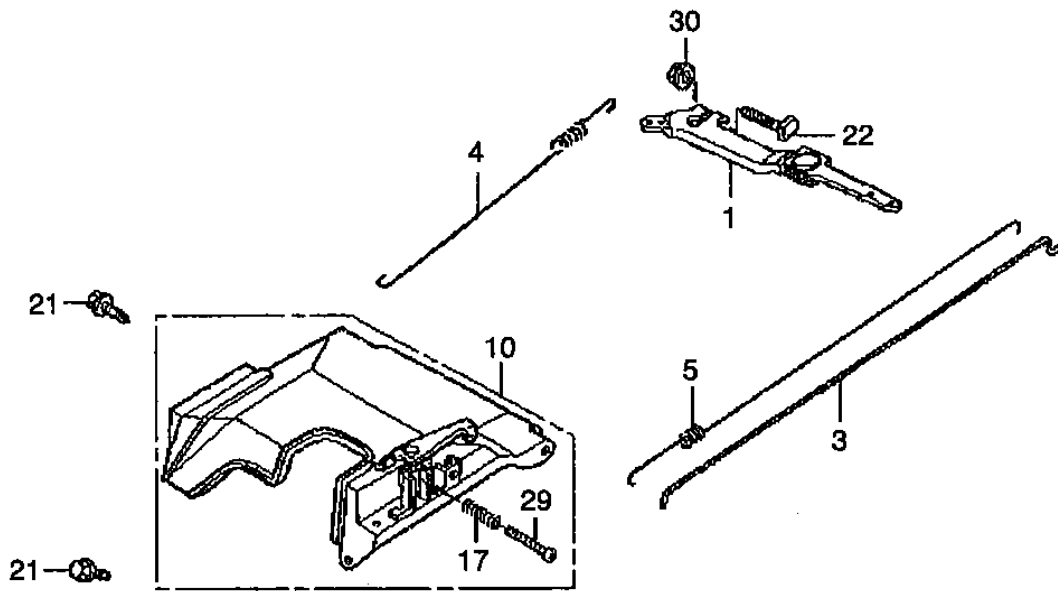
HONDA GX240RT2EDN2 — CARBURETOR ASSY.



HONDA GX240RT2EDN2 — CARBURETOR ASSY.

| <u>NO.</u> | <u>PART NO.</u> | <u>PART NAME</u> | <u>QTY.</u> | <u>REMARKS</u> |
|------------|-----------------|---------------------------------|-------------|---------------------------|
| 1#@ | 16010ZE3701 | GASKET SET | 1 | |
| 2@ | 16011ZA0931 | VALVE SET, FLOAT | 1 | |
| 3@ | 16013Z1C003 | FLOAT SET | 1 | |
| 4@ | 16015ZA0931 | CHAMBER SET, FLOAT | 1 | INCLUDES ITEMS W/# |
| 5@ | 16016ZH7W01 | SCREW SET, PILOT | 1 | |
| 6#@ | 16024124760 | SCREW SET, DRAIN | 1 | |
| 7@ | 16028ZA0931 | SCREW SET | 1 | |
| 8 | 16100Z8S932 | CARBURETOR ASSY. (BE72R A)..... | 1 | INCLUDES ITEMS W/@ |
| 9@ | 16124ZE0005 | SCREW, THROTTLE STOP | 1 | |
| 10@ | 16148141881 | CAP, CHOKE DUST | 1 | |
| 11@ | 16166Z8S931 | NOZZLE, MAIN | 1 | |
| 12@ | 16172ZE3W10 | COLLAR, SETTING | 1 | |
| 13 | 16211ZE2701 | INSULATOR, CARBURETOR | 1 | |
| 14 | 16221Z5K000 | PACKING, CARBURETOR | 1 | |
| 15 | 16212Z5K000 | PACKING, INSULATOR | 1 | |
| 16@ | 16230ZE3702 | VALVE ASSY., SOLENOID | 1 | |
| 17 | 16260ZE3D22 | STAY ASSY., MANUAL CHOKE..... | 1 | INCLUDES ITEMS W/& |
| 18& | 16261ZE2702 | STAY COMP., SOLENOID | 1 | |
| 19& | 16262ZE2711 | LEVER, CHOKE | 1 | |
| 20& | 16263ZA0000 | JOINT, ROD | 1 | |
| 21& | 16264ZE2701 | ROD, CHOKE | 1 | |
| 22& | 16265ZE2721 | STOPPER, CHOKE ROD | 1 | |
| 23& | 16268ZE2721 | SPRING, MANUAL CHOKE | 1 | |
| 25& | 16400ZE2704 | DIAPHRAGM ASSY. | 1 | |
| 26& | 16611ZE3D21 | ROD, CHOKE CONTROL | 1 | |
| 27& | 16613893000 | GROMMET, CHOKE ROD | 1 | |
| 28& | 16615893000 | GUIDE, CHOKE ROD | 1 | |
| 29 | 36135ZF6D41 | VALVE, DASHPOT CHECK | 1 | |
| 30& | 53149964003 | BUSH, ARM PIVOT | 1 | |
| 31 | 88911MJ3000 | GROMMET, FENDER | 1 | |
| 32& | 90431ZE2700 | WASHER, CHOKE LEVER | 1 | |
| 33& | 90432ZE2700 | SEAL, CHOKE LEVER | 2 | |
| 34& | 90433ZE2700 | WASHER, THRUST, 2.7X8 | 1 | |
| 35& | 90434ZE2700 | COLLAR, LEVER | 1 | |
| 36 | 90650SD9003 | CLIP, WIRE HARNESS | 1 | |
| 37& | 93500050120A | SCREW, PAN 5X12 | 2 | |
| 38@ | 938920501208 | SCREW, WASHER 5X12 | 2 | REPLACES P/N 938920501218 |
| 39 | 9405006000 | NUT, FLANGE 6MM | 2 | |
| 40& | 9410305000 | WASHER, FLAT 5MM | 1 | |
| 41& | 9454002010 | E-RING 2MM | 1 | |
| 42& | 9454004010 | E-RING 4MM | 1 | |
| 43& | 9454007010 | E-RING 7MM | 1 | |
| 44 | 9500202070 | CLIP, TUBE (B7) | 4 | |
| 45 | 950053506510 | TUBE, 3.5X65 | 1 | |
| 46 | 950053513010 | TUBE, 3.5X130 | 1 | |
| 47@ | 99101ZH80780 | JET, MAIN #78 | 1 | |
| 47@ | 99101ZH80800 | JET, MAIN #80 | 1 | |
| 47@ | 99101ZH80820 | JET, MAIN #82 | 1 | |
| 48@ | 99204ZE00380 | JET SET, PILOT #38 | 1 | |
| 49 | 16220ZA0702 | SPACER, CARBURETOR | 1 | |
| 50 | 17228Z5T000 | PACKING, AIR CLEANER | 1 | |

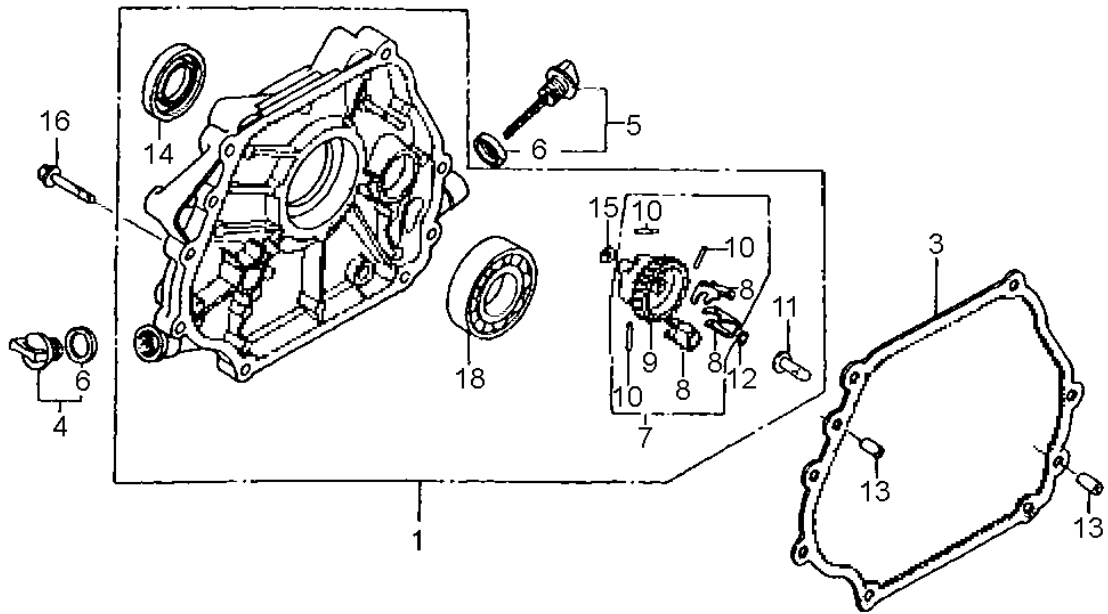
HONDA GX240RT2EDN2 — CONTROL ASSY.



HONDA GX240RT2EDN2 — CONTROL ASSY.

| <u>NO.</u> | <u>PART NO.</u> | <u>PART NAME</u> | <u>QTY.</u> | <u>REMARKS</u> |
|------------|-----------------|---------------------------|-------------|--------------------|
| 1 | 16550ZE2700 | ARM COMP, GOVERNOR | 1 | |
| 3 | 16555ZE2000 | ROD, GOVERNOR | 1 | |
| 4 | 16561ZK6D70 | SPRING, GOVERNOR | 1 | |
| 5 | 16562ZE2700 | SPRING, THROTTLE RETURN | 1 | |
| 10 | 16500Z5K408 | CONTROL ASSY. | 1 | INCLUDES ITEMS W/# |
| 17# | 16584883300 | SPRING, CONTROL ADJUSTING | 1 | |
| 21 | 90013883000 | BOLT, FLANGE 6X12 | 2 | |
| 22 | 90015Z5T000 | BOLT, GOVERNOR ARM | 1 | |
| 29# | 93500050350A | SCREW, PAN 5X35 | 1 | |
| 30 | 9405006000 | NUT, FLANGE 6MM | 1 | |

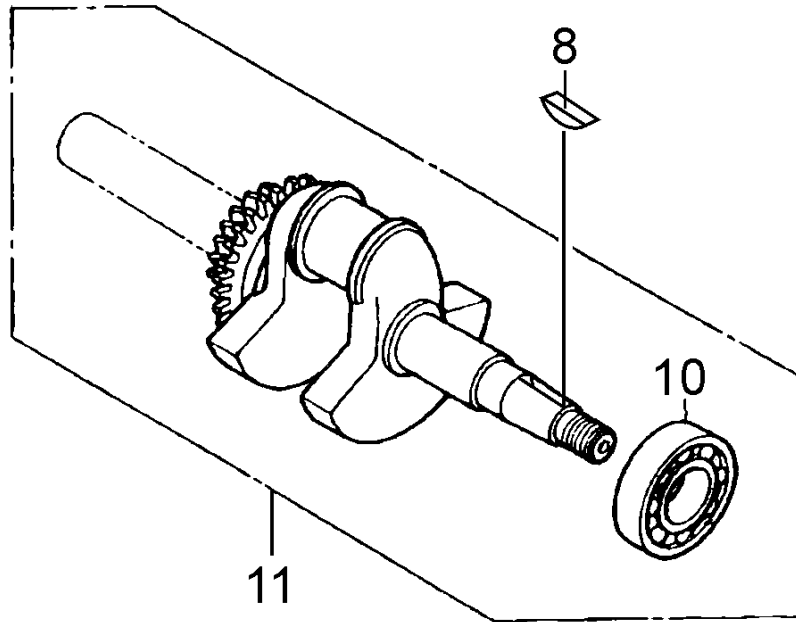
HONDA GX240RT2EDN2 — CRANKCASE COVER ASSY.



HONDA GX240RT2EDN2 — CRANKCASE COVER ASSY.

| NO. | PART NO. | PART NAME | QTY. | REMARKS |
|------------|-----------------|------------------------------|-------------|-------------------------|
| 1 | 11300Z9GS40 | COVER ASSY., CRANKCASE | 1..... | INCLUDES ITEMS W/% |
| 3 | 11381Z5K000 | PACKING, CASE COVER | 1 | |
| 4 | 15600Z0T820 | CAP ASSY., OIL FILTER | 1..... | INCLUDES ITEMS W/# |
| 5 | 15600Z1C000 | CAP ASSY., OIL FILTER | 1..... | INCLUDES ITEMS W/\$ |
| 6#\$ | 15625Z0T800 | PACKING, OIL FILTER CAP | 2 | |
| 7% | 16510ZE3000 | GOVERNOR ASSY. | 1..... | INCLUDES ITEMS W/@ |
| 8%@ | 16511ZE8000 | WEIGHT, GOVERNOR | 3 | |
| 9%@ | 16512ZE3000 | HOLDER, GOVERNOR WEIGHT | 1 | |
| 10%@ | 16513ZE2000 | PIN, GOVERNOR WEIGHT | 3 | |
| 11% | 16531Z0A000 | SLIDER, GOVERNOR | 1 | |
| 12% | 90602ZE1000 | CLIP, GOVERNOR HOLDER | 1 | |
| 13 | 90701HC4000 | DOWEL PIN, 8X12 | 2 | |
| 14% | 91201Z10003 | OIL SEAL, 30X46X8 | 1 | |
| 15% | 58176 | WASHER, FLAT 6MM | 1..... | REPLACES P/N 9410106800 |
| 16 | 957010803500 | BOLT, FLANGE 8X35 | 7 | |
| 18% | 961006206000 | BEARING, RADIAL BALL 6206 | 1 | |

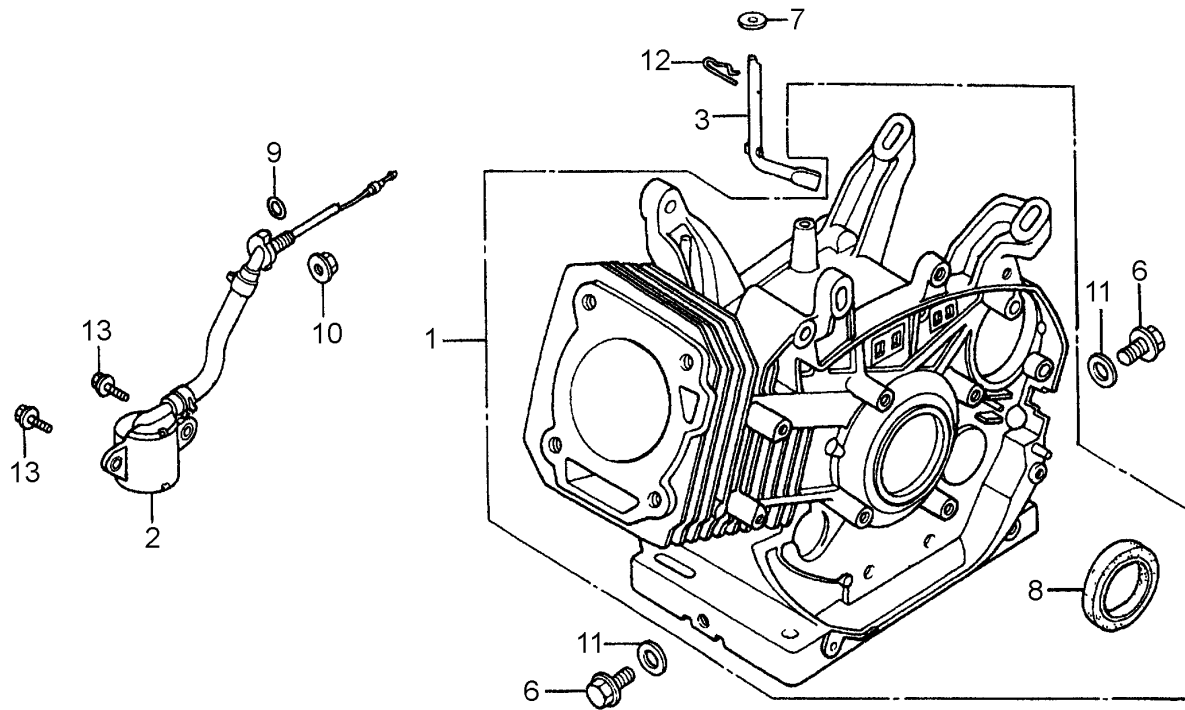
HONDA GX240RT2EDN2 — CRANKSHAFT ASSY.



HONDA GX240RT2EDN2 — CRANKSHAFT ASSY.

| <u>NO.</u> | <u>PART NO.</u> | <u>PART NAME</u> | <u>QTY.</u> | <u>REMARKS</u> |
|------------|-----------------|--------------------------------|-------------|--------------------|
| 8 | 90741ZE2000 | KEY, SPECIAL WOODRUFF 25X18 | 1 | |
| 10% | 91001ZH9003 | BEARING, RADIAL BALL (6206 SH) | 1 | |
| 11 | 13310ZBAS40 | CRANKSHAFT COMP, | 1..... | INCLUDES ITEMS W/% |

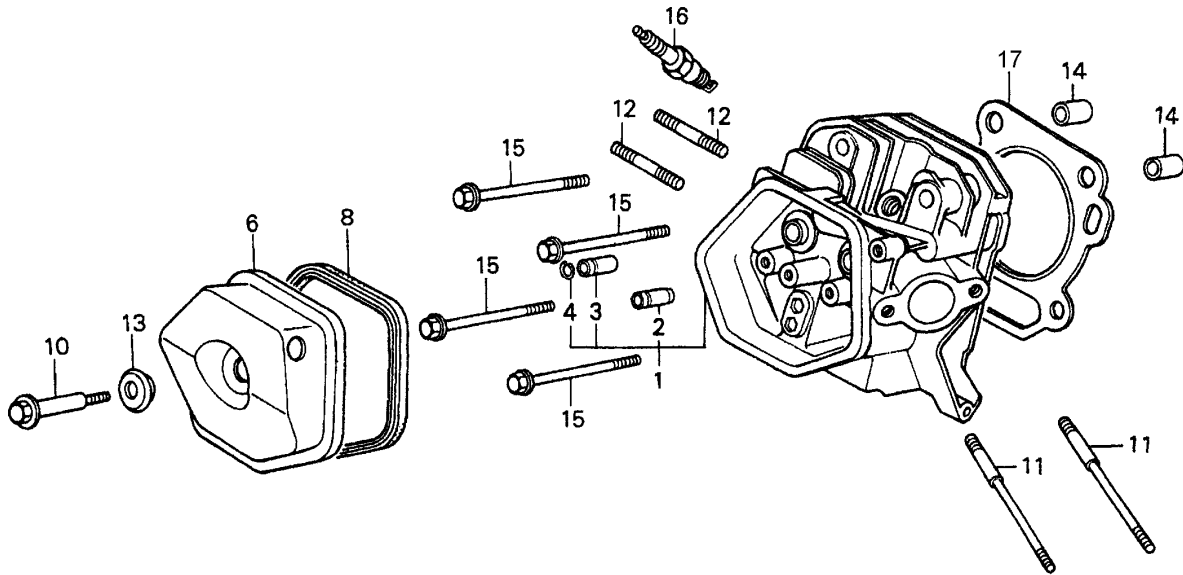
HONDA GX240RT2EDN2 — CYLINDER BARREL ASSY.



HONDA GX240RT2EDN2 — CYLINDER BARREL ASSY.

| <u>NO.</u> | <u>PART NO.</u> | <u>PART NAME</u> | <u>QTY.</u> | <u>REMARKS</u> |
|------------|-----------------|-------------------------------|-------------|--------------------------|
| 1 | 12000Z5K406 | BARREL ASSY., CYLINDER | 1..... | INCLUDES ITEMS W/\$ |
| 2 | 35480ZF6003 | SWITCH ASSY., OIL LEVEL | 1 | |
| 3 | 16541ZE2010 | SHAFT, GOVERNOR ARM | 1 | |
| 6 | 90131896650 | BOLT, DRAIN PLUG 12X15 | 2..... | REPLACES P/N 90131883000 |
| 7 | 90446KE1000 | WASHER, 8.2X17X0.8 | 1 | |
| 8\$ | 91201Z1D003 | OIL SEAL 30X46X8 | 1 | |
| 9 | 91353671003 | O-RING, 14MM (NOK) | 1..... | REPLACES P/N 91353671004 |
| 10 | 9405010000 | NUT, FLANGE 10MM | 1 | |
| 11 | 031112230 | WASHER, DRAIN PLUG 12MM | 2..... | REPLACES P/N 9410912000 |
| 12 | 9425110000 | PIN, LOCK 10MM | 1 | |
| 13 | 957010601200 | BOLT, FLANGE 6X12 | 2 | |

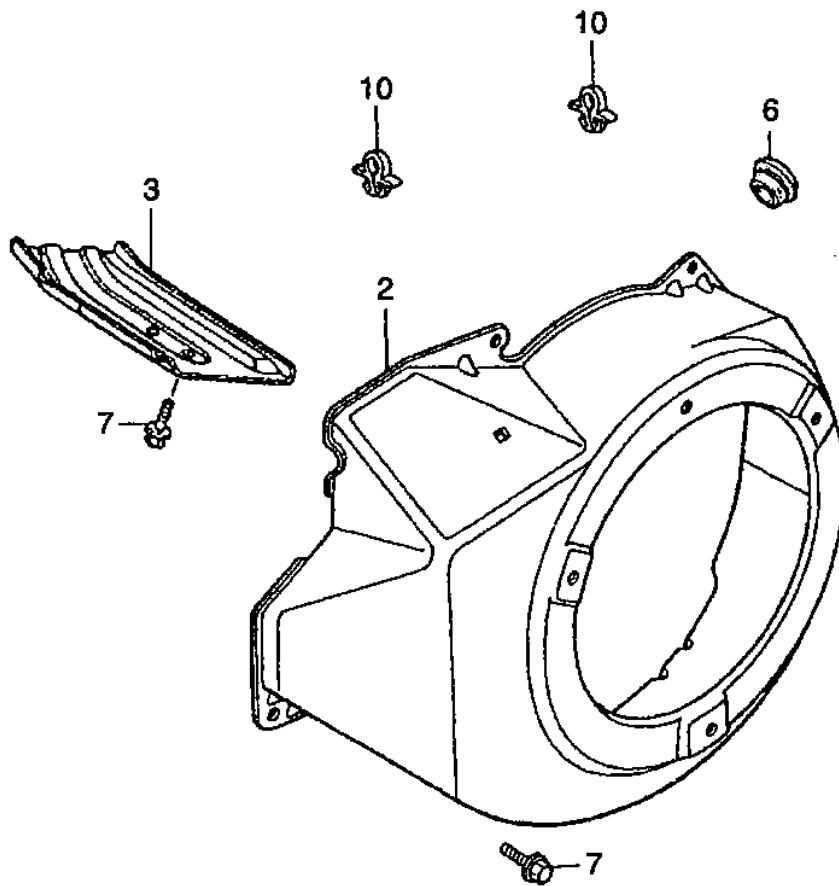
HONDA GX240R2EDN2 — CYLINDER HEAD ASSY.



HONDA GX240REDN2 — CYLINDER HEAD ASSY.

| <u>NO.</u> | <u>PART NO.</u> | <u>PART NAME</u> | <u>QTY.</u> | <u>REMARKS</u> |
|------------|-----------------|------------------------------|-------------|----------------|
| 1 | 12210Z5K405 | HEAD COMP., CYLINDER | 1 | |
| 2 | 12204ZE2306 | GUIDE, IN. VALVE (OVER SIZE) | 1 | |
| 3 | 12205ZE2305 | GUIDE, EX. VALVE (OVER SIZE) | 1 | |
| 4 | 12216ZE2300 | CLIP, VALVE GUIDE | 1 | |
| 6 | 12310ZE2020 | COVER, CYLINDER HEAD | 1 | |
| 8 | 12391ZE2020 | PACKING, HEAD COVER | 1 | |
| 10 | 90014Z5T000 | BOLT, HEAD COVER | 1 | |
| 11 | 90042ZK2D60 | BOLT, STUD, 8X106 | 2 | |
| 12 | 92900080320E | BOLT, STUD, 8X32 | 2 | |
| 13 | 90441ZE2010 | WASHER CAMP., HEAD COVER | 1 | |
| 14 | 9430112200 | DOWEL PIN, 12X20 | 2 | |
| 15 | 9570H008000 | BOLT, FLANGE, 10X80 | 4 | |
| 16 | 9807955876 | PLUG, SPARK (BPR5ES NGK) | 1 | |
| 16 | 9807955855 | PLUG, SPARK (W16EPR~U DENSO) | 1 | |
| 17 | 12251Z5K003 | GASKET, CYLINDER HEAD | 1 | |

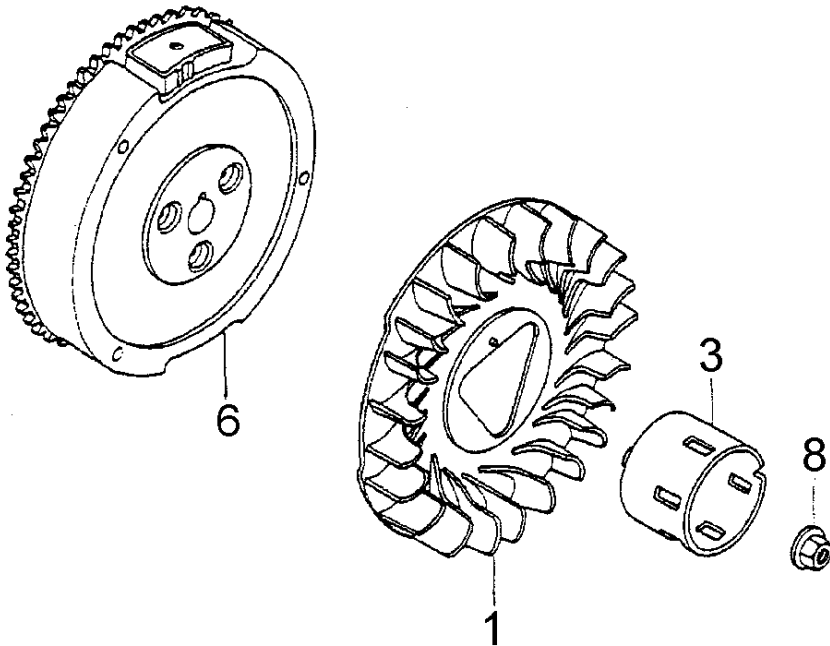
HONDA GX240RT2EDN2 — FAN COVER ASSY.



HONDA GX240RT2EDN2 — FAN COVER ASSY.

| <u>NO.</u> | <u>PART NO.</u> | <u>PART NAME</u> | <u>QTY.</u> | <u>REMARKS</u> |
|------------|-----------------|--------------------------------|-------------|----------------|
| 2 | 19610Z5K800ZD | COVER COMP., FAN *NH1* | 1 | |
| 3 | 19631Z5K000 | SHROUD | 1 | |
| 6 | 81329567020 | GROMMET, DRAIN HOLE | 1 | |
| 7 | 90013883000 | BOLT, FLANGE 6X12 (CT200) | 6 | |
| 10 | 90654SA4003 | CLIP, WIRE HARNESS 6MM (WHITE) | 2 | |

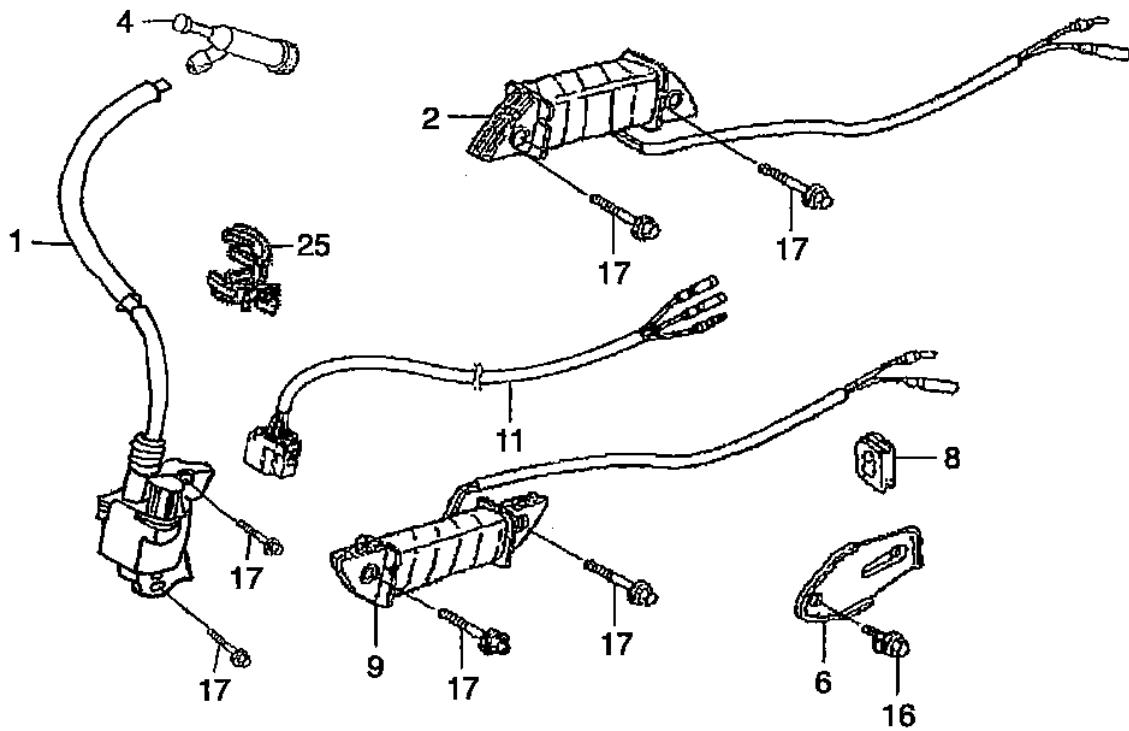
HONDA GX240RT2EDN2 — FLYWHEEL ASSY.



HONDA GX240RT2EDN2 — FLYWHEEL ASSY.

| <u>NO.</u> | <u>PART NO.</u> | <u>PART NAME</u> | <u>QTY.</u> | <u>REMARKS</u> |
|------------|-----------------|-----------------------|-------------|----------------|
| 1 | 19511ZE2000 | FAN, COOLING | 1 | |
| 3 | 28451ZE2W01 | PULLEY, STARTER | 1 | |
| 6 | 31110Z5K810 | FLYWHEEL COMP. (LAMP) | 1 | |
| 8 | 90201ZE3790 | NUT, SPECIAL 16MM | 1 | |

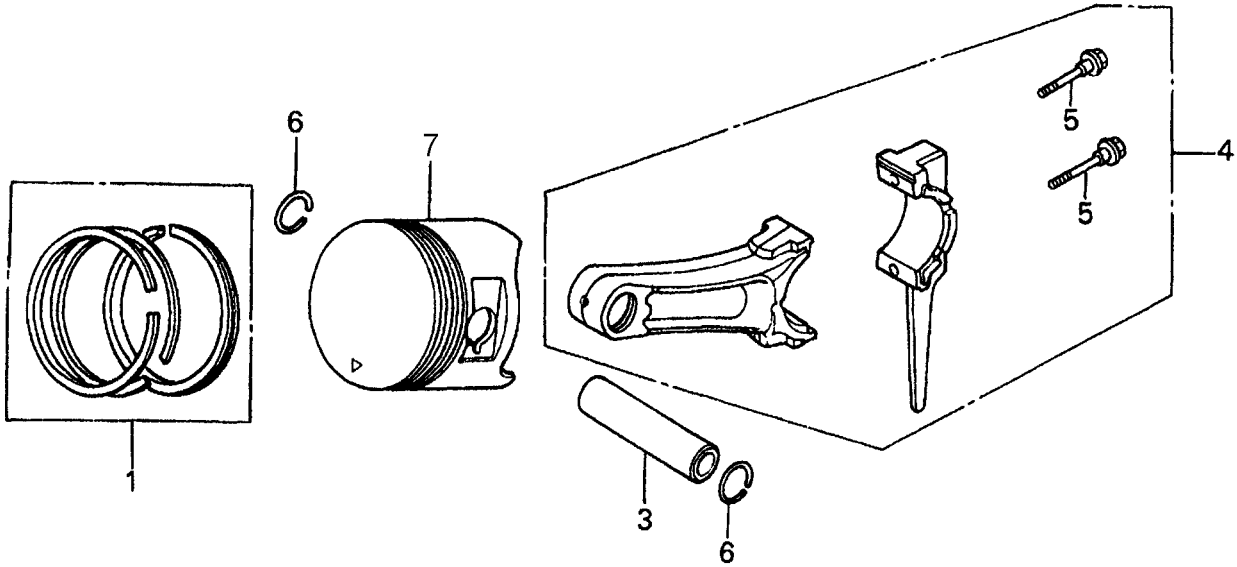
HONDA GX240RT2EDN2 — IGNITION COIL ASSY.



HONDA GX240RT2EDN2 — IGNITION COIL ASSY.

| <u>NO.</u> | <u>PART NO.</u> | <u>PART NAME</u> | <u>QTY.</u> | <u>REMARKS</u> |
|------------|-----------------|-----------------------------|-------------|----------------|
| 1 | 30500Z5F003 | COIL ASSY., IGNITION | 1 | |
| 2 | 31510ZE1811 | COIL ASSY., LAMP 12V 125W | 1 | |
| 4 | 30700Z1C811 | CAP ASSY., NOISE SUPPRESSOR | 1 | |
| 6 | 31511ZE2000 | CLAMPER, CORD | 1 | |
| 8 | 31512ZE2000 | GROMMET, CORD | 1 | |
| 9 | 31510ZE3003 | COIL ASSY., LAMP 12V 125W | 1 | |
| 11 | 32110Z5K000 | HARNESS ASSY., ENGINE WIRE | 1 | |
| 16 | 90013883000 | BOLT, FLANGE 6X12 | 1 | |
| 17 | 90015883000 | BOLT, FLANGE 6X28 | 6 | |
| 25 | 90684ZA0601 | CLIP, HARNESS | 1 | |

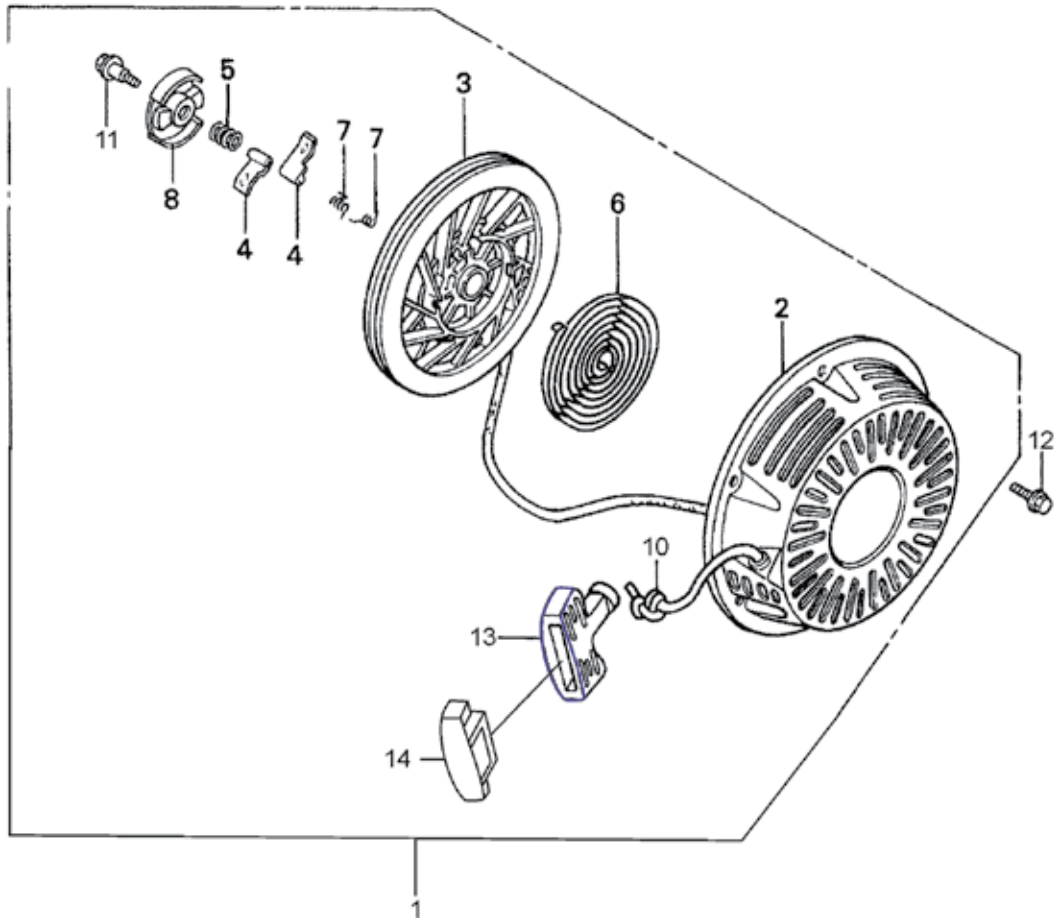
HONDA GX240RT2EDN2 — PISTON ASSY.



HONDA GX240RTEDN2 — PISTON ASSY.

| <u>NO.</u> | <u>PART NO.</u> | <u>PART NAME</u> | <u>QTY.</u> | <u>REMARKS</u> |
|------------|-----------------|---------------------------------------|-------------|--------------------|
| 1 | 13010Z5K004 | RING SET, PISTON (STD) | 1 | |
| 1 | 13011Z5K004 | RING SET, PISTON (0.25) | 1 | |
| 1 | 13012Z5K004 | RING SET, PISTON (0.50) | 1 | |
| 1 | 13013Z5K004 | RING SET, PISTON (0.75) | 1 | |
| 3 | 13111Z5K000 | PIN, PISTON | 1 | |
| 4 | 13200Z1D000 | ROD ASSY., CONNECTING (STD) | 1..... | INCLUDES ITEMS W/@ |
| 4 | 13200Z10305 | ROD ASSY., CONNECTING (0.25 UNDER SZ) | 1 | |
| 5@ | 90001ZE8000 | BOLT, CONNECTING ROD | 2 | |
| 6 | 90551ZE1000 | CUP, PISTON PIN 18MM | 2 | |
| 7 | 13101Z5K000 | PISTON (STD) | 1 | |
| 7 | 13102Z5K000 | PISTON (0.25) | 1 | |
| 7 | 13103Z5K000 | PISTON (0.50) | 1 | |
| 7 | 13104Z5K000 | PISTON (0.75) | 1 | |

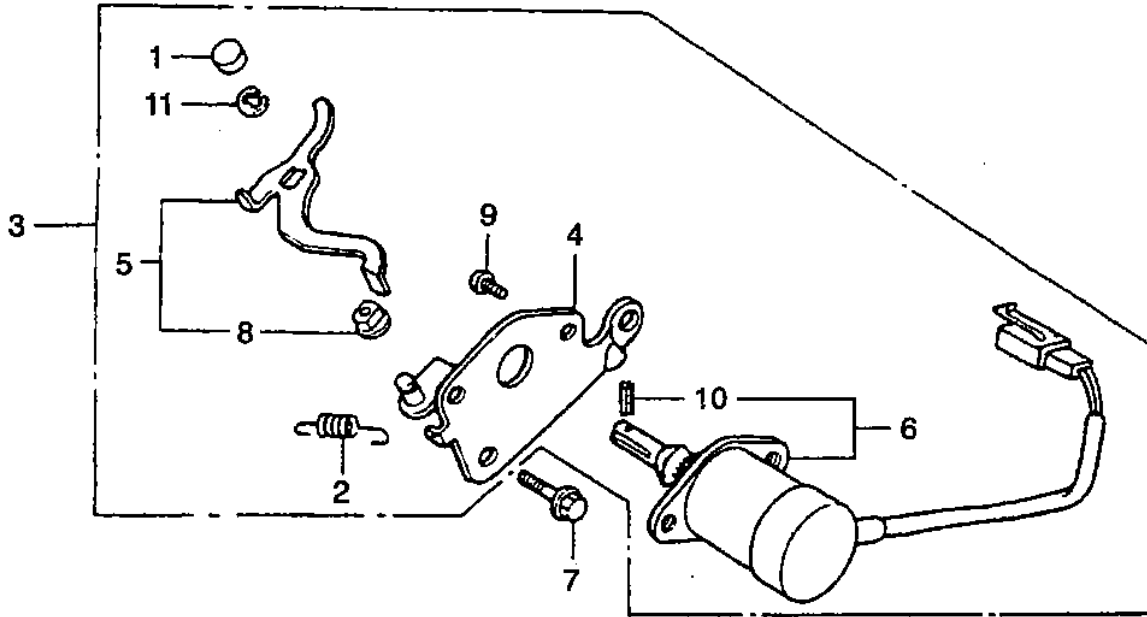
HONDA GX240RTEDN2 — RECOIL STARTER ASSY.



HONDA GX240RTEDN2 — RECOIL STARTER ASSY.

| <u>NO.</u> | <u>PART NO.</u> | <u>PART NAME</u> | <u>QTY.</u> | <u>REMARKS</u> |
|------------|-----------------|-----------------------------------|-------------|--------------------|
| 1 | 28400Z5K013ZB | STARTER ASSY., RECOIL *NH1* | 1..... | INCLUDES ITEMS W/% |
| 2% | 28410ZE2W01ZB | CASE COMP., RECOIL STARTER *NH1* | 1 | |
| 3% | 28421ZE2W01 | PULLEY, RECOIL STARTER | 1 | |
| 4% | 28422ZE2W01 | RATCHET, STARTER | 2 | |
| 5% | 28441ZE2W01 | SPRING, FRICTION | 1 | |
| 6% | 28442ZE2W01 | SPRING, STARTER RETURN | 1 | |
| 7% | 28443ZE2W01 | SPRING, RATCHET | 2 | |
| 8% | 28444ZE2W01 | RETAINER, SPRING | 1 | |
| 10% | 28462ZE2W11 | ROPE, RECOIL STARTER | 1 | |
| 11% | 90004ZE2W01 | SCREW, CENTER | 1 | |
| 12 | 90008ZE2003 | BOLT, FLANGE 6X10 | 3 | |
| 13% | 28461Z5T305 | GRIP, STARTER | 1 | |
| 14% | 28463Z5T013 | GRIP, REINFORCEMENT | 1 | |

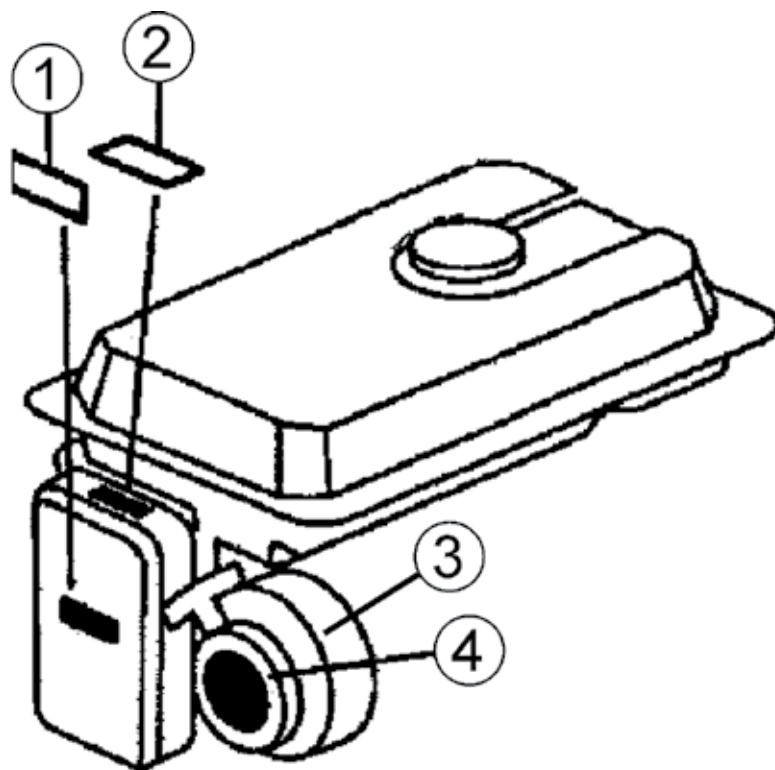
HONDA GX240RT2EDN2 — SOLENOID ASSY.



HONDA GX240RTEDN2 — SOLENOID ASSY.

| <u>NO.</u> | <u>PART NO.</u> | <u>PART NAME</u> | <u>QTY.</u> | <u>REMARKS</u> |
|------------|-----------------|--------------------------------|-------------|--------------------|
| 1# | 16252ZA1010 | CAP, CHOKE LEVER | 1 | |
| 2# | 16268893000 | SPRING, CHOKE RETURN | 1 | |
| 3 | 16270ZB4010 | AUTO-THROTTLE ASSY. | 1 | INCLUDES ITEMS W/+ |
| 4# | 16271ZB4000 | STAY, SOLENOID THROTTLE | 1 | |
| 5# | 16273ZB4000 | LEVER COMP., SOLENOID THROTTLE | 1 | |
| 6# | 36160ZB4013 | SOLENOID ASSY. | 1 | |
| 7 | 90013883000 | BOLT, FLANGE 6X12 | 1 | |
| 8# | 91502ZB4701 | BUSH, AUTO-THROTTLE LEVER | 1 | |
| 9# | 93500050080A | SCREW, PAN 5X8 | 2 | |
| 10# | 9430520062 | PIN, SPRING 2X6 | 1 | |
| 11# | 9454004018 | E-RING, 4MM | 1 | |

HONDA GX240RT2EDN2 — ENGINE DECALS ASSY.



HONDA GX240RT2EDN2 — ENGINE DECALS ASSY.

| <u>NO.</u> | <u>PART NO.</u> | <u>PART NAME</u> | <u>QTY.</u> | <u>REMARKS</u> |
|------------|-----------------|------------------------------|-------------|----------------|
| 1 | 87533ZC0630 | DECAL: AIR CLEANER (ENGLISH) | 1 | |
| 2 | 87528898620 | DECAL: CHOKE | 1 | |
| 3 | 87594ZB4A00 | DECAL: OIL CAUTION | 1 | |
| 4 | 87521Z8S000 | EMBLEM (GX240) | 1 | |