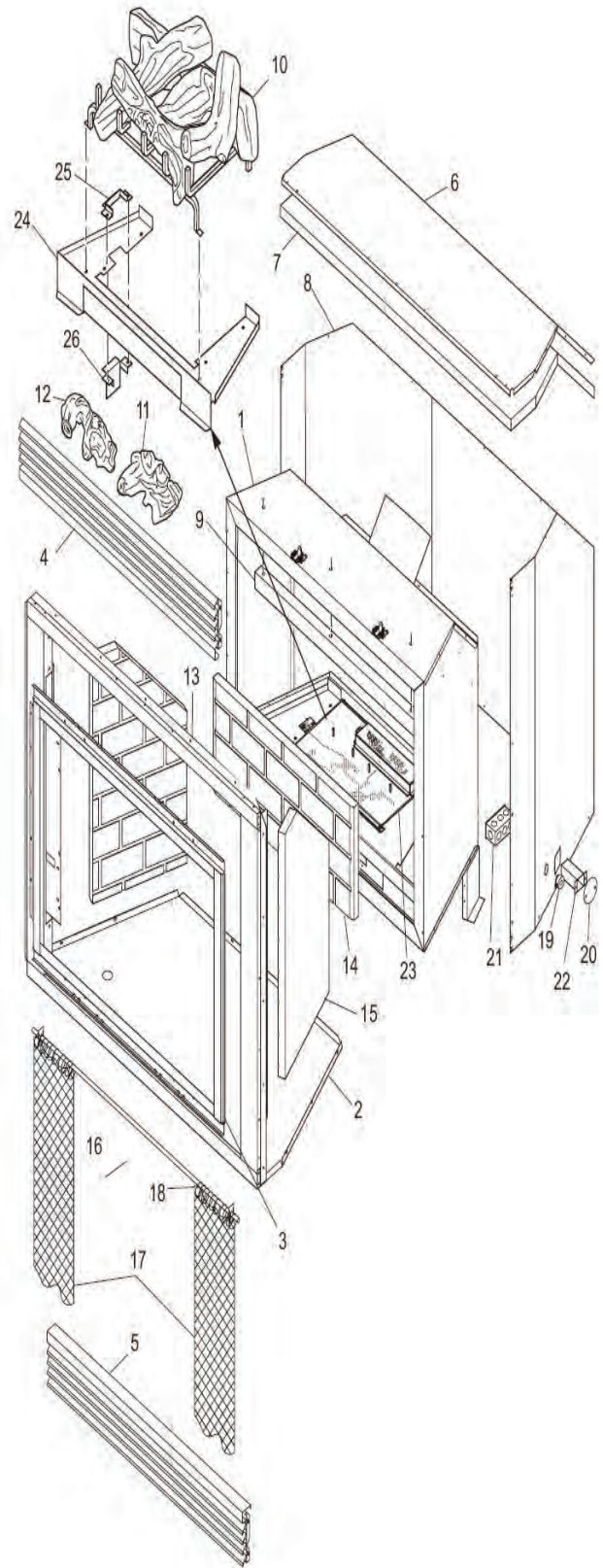


FMI Victorian 36" Direct Vent Firebox

MODELS: VC36N, VC36P, VC36NB, VC36PB, VC36NH, VC36PH, VC36NE, VC36PE, VC36NBE, VC36PBE, VC36NHE, VC36PHE

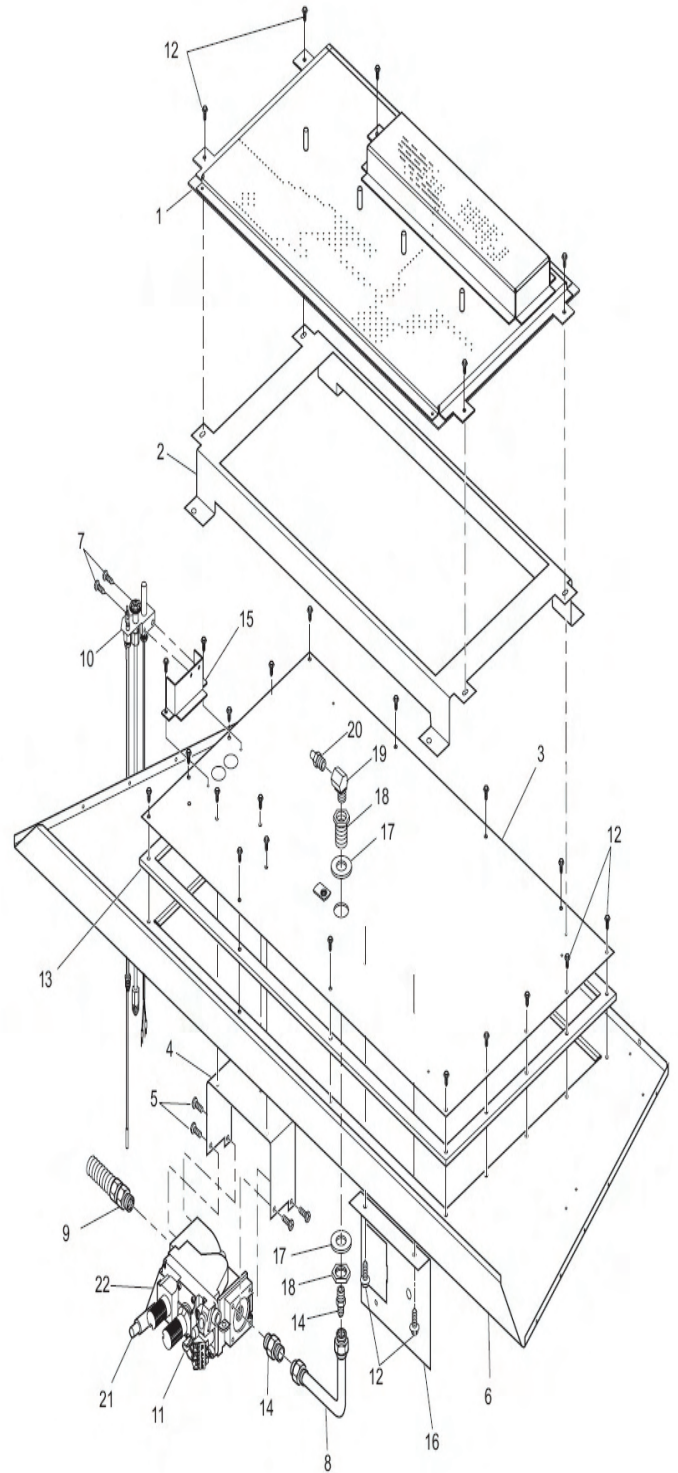
	Part Number	Description
1	**	Firebox Assembly
2	**	Face Weldment
3	108010-01	Door Assembly
4	108011-01	Top Louver Assembly
5	108011-02	Bottom Louver Assembly
6	**	Fireplace Top
7	**	Fireplace Top Insulation
8	**	Fireplace Surround
9	109082-01	Heat Shield
10	116215-01	Log Set with Grate Assembly
11	116338-01	Right Burner Log
12	116339-01	Left Burner Log
13	110989-02	Left Refractory Stacked
	111215-02	Left Refractory Herringbone
14	110991-02	Rear Refractory Stacked
	111217-02	Rear Refractory Herringbone
15	110990-02	Right Refractory Stacked
	111216-02	Right Refractory Herringbone
16	108719-01	Screen Rod
17	12105	Screen
18	11418	Push-On Nut
19	14123	Strain Relief
20	21171	Gas Knock-Out Cover
21	24353	Handy Box Assembly
22	24460	Gas Conduit Assembly
23	116210-01	Burner Assembly NG
	116210-02	Burner Assembly LP
	116211-05	Burner Assembly High Altitude
24	116374-01	Plenum
25	118372-01	Top Pilot Shield
26	120945-01	Bottom Pilot Shield
PARTS AVAILABLE - NOT SHOWN		
	25487	Lava Rock/Bag Assy
	116388-01	Grate Finial



FMI Victorian 36" Direct Vent Millivolt Burner Assembly

MODELS: VC36N, VC36P, VC36NB, VC36PB, VC36NH, VC36PH

Part Number	Description
1	** Burner Pan Assembly
2	** Base Grate
3	** Firebox Base Bottom
4	26808 Valve Bracket
5	11107 Screw, #10-32 x 1/4 Zinc
6	** Firebox Bottom
7	11102 Screw, #8-32 x 3/8 Zinc
8	121877-01 Aluminum Tubing Assembly
9	111288-02 Flex Gas Line
10	108084-02 Pilot Assembly NG
	108084-03 Pilot Assembly LP
	108084-05 Pilot Assembly (-HA Models)
11	14389 Natural Gas Valve
	14390 Propane/LP Gas Valve
	117370-01 Natural Gas High Altitude Valve
12	11165 Screw, #10 x 5/8 Zinc
13	111913-01 Burner Base Gasket
14	14500 Brass Fitting
15	116345-01 Pilot Bracket
16	26827 Switch Bracket
17	11226 Flat Washer 7/8" ID x 2" OD
18	11214 Bulkhead Fitting with Washer
19	14296 Elbow 3/8"
20	24873 Burner Orifice #36 NG
	23097 Burner Orifice #52 LP
21	14492 Piezo Ignitor
22	14511 Piezo Bracket
PARTS AVAILABLE - NOT SHOWN	
	108085-03 Pilot Orifice (-HA Models-NG)



FMI Victorian 36" Direct Vent Elec. Ign. Burner Assembly

MODELS: VC36NE, VC36PE, VC36NBE, VC36PBE, VC36NHE, VC36PHE

	Part Number	Description
1	**	Burner Pan Assembly
2	**	Base Grate
3	**	Bottom Firebox Base
4	26808	Valve Bracket
5	11107	Screw, #10-32 x 1/4 Zinc
6	**	Firebox Bottom
7	11102	Screw, #8-32 x 3/8 Zinc
8	121877-01	Aluminum Tubing Assembly
9	111288-02	Flex Gas Line
10	108866-01	Electric Pilot Assembly NG
	108866-02	Electric Pilot Assembly LP
11	14569	Electric Valve Assembly NG
	14570	Electric Valve Assembly LP
12	11165	Screw #10 x 5/8 Zinc
13	111913-01	Burner Base Gasket
14	14500	Brass Fitting
15	116345-01	Pilot Bracket
16	26827	Switch Bracket
17	11226	Flat Washer, 7/8" ID x 1 1/4" OD
18	11214	Bulkhead Fitting with Washer
19	14296	Elbow, 3/8"
20	24873	Gas Orifice #36 NG
	23097	Gas Orifice #52 LP
21	11186	Screw, #8 x 32 x 1 Zinc
22	110286-01	Ignition Module
23	11147	Screw, 10-24 x 1/2 BLK
24	14129	Transformer, 24 V Class 2
25	116659-01	Crimp-on Terminal Ring
26	108863-01	24" Supply Connect Plug
27	14149	Spade 1/4 F RT. Angle
28	14126	16 GA Green Wire
29	14134	18 GA Black Wire
30	14520	Spade 1/4 Female Connector
31	17223	Magnet
32	23416	Electronic Components Board
33	11201	Nut, 8-32 Hex Zinc

