



HOMEOWNER'S CARE AND OPERATION INSTRUCTIONS

DIRECT VENT MULTI-OPEN SERIES

VENTED GAS FIREPLACE HEATERS - DIRECT VENT MODELS
P/N 725,001M REV. F 09/2005



CDST (See-through)



CDPF (Peninsula)



CDCL (Corner-Left)



CDCR (Corner-Right)

MODELS

Millivolt Models

CDST-CMN	CDCL-CMN	CDST-CEN	CDCL-CEN
CDST-CMP	CDCL-CMP	CDST-CEP	CDCL-CEP
CDPF-CMN	CDCR-CMN	CDPF-CEN	CDCR-CEN
CDPF-CMP	CDCR-CMP	CDPF-CEP	CDCR-CEP

Electronic Models

A French manual is available upon request. Order Form Number 725,001CF.

Ce manuel d'installation est disponible en français, simplement en faire la demande. Numéro de la pièce 725,001CF.



RETAIN THESE INSTRUCTIONS
FOR FUTURE REFERENCE

WH Report No. J20006712

WARNING: IF THE INFORMATION IN THIS MANUAL IS NOT FOLLOWED EXACTLY, A FIRE OR EXPLOSION MAY RESULT CAUSING PROPERTY DAMAGE, PERSONAL INJURY OR LOSS OF LIFE.

FOR YOUR SAFETY: Do not store or use gasoline or other flammable vapors or liquids in the vicinity of this or any other appliance.

FOR YOUR SAFETY: What to do if you smell gas:

- DO NOT light any appliance.
- DO NOT touch any electrical switches.
- DO NOT use any phone in your building.
- Immediately call your gas supplier from a neighbor's phone.

Follow your gas suppliers instructions.

- If your gas supplier cannot be reached, call the fire department.

Installation and service must be performed by a qualified installer, service agency or the gas supplier.

AVERTISSEMENT: ASSUREZ-VOUS DE BIEN SUIVRE LES INSTRUCTIONS DONNÉ DANS CETTE NOTICE POUR RÉDUIRE AU MINIMUM LE RISQUE D'INCENDIE OU POUR ÉVITER TOUT DOMMAGE MATÉRIEL, TOUTE BLESSURE OU LA MORT.

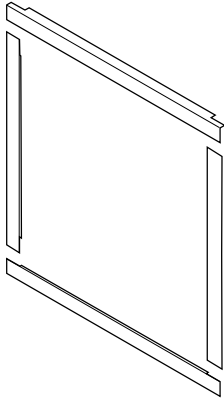
POUR VOTRE SÉCURITÉ: Ne pas entreposer ni utiliser d'essence ni d'autre vapeurs ou liquides inflammables dans le voisinage de cet appareil ou de tout autre appareil.

POUR VOTRE SÉCURITÉ: Que faire si vous sentez une odeur de gaz:

- Ne pas tenter d'allumer d'appareil.
- Ne touchez à aucun interrupteur. Ne pas vous servir des téléphones se trouvant dans le bâtiment où vous vous trouvez.
- Evacuez la pièce, le bâtiment ou la zone.
- Appelez immédiatement votre fournisseur de gaz depuis un voisin. Suivez les instructions du fournisseur.
- Si vous ne pouvez rejoindre le fournisseur de gaz, appelez le service des incendies.

L'installation et service doit être exécuté par un qualifié installateur, agence de service ou le fournisseur de gaz.

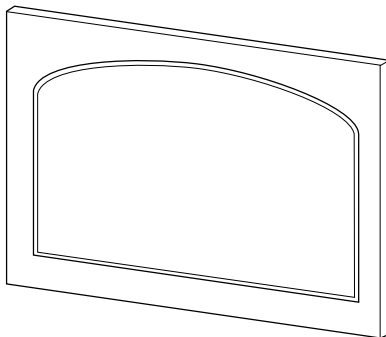
ACCESSORY COMPONENTS



Door Frame Kits

Two types of decorative door frame kits are available for use with these appliances - one in polished brass finish, the other, in brushed stainless steel finish. The DFK is designed to attach directly to the front face of the appliance at its extreme edges. The DFK provides a picture frame finish for the appliance. The door frame kit can be retrofitted onto previously installed appliances.

Door Frame Kits CATALOG NO. / MODEL NO. AND NUMBER OF SETS				
Unit Model No.	Polished Brass Finish		Brushed Stainless Finish	
	for 24 in. wide Glass Door	for 40 in. wide Glass Door	for 24 in. wide Glass Door	for 40 in. wide Glass Door
	80L15 DFKE-60B	80L12 DFK-6/60B	80L20 DFKE-60P	80L17 DFK-6/60P
CDST	-	2	-	2
CDPF	1	2	1	2
CDCR CDCL	1	1	1	1



Arch Door Kits

Two types of arch door kits are available for the Multi-Open Series. Both types of kits are easy to install and do not require hardware to attach them to the standard door frame. These kits can be retrofitted to previously installed Multi-Open Series appliances. The decorative arch kits can not be used in conjunction with the screen panel kit.

Arch Door Kits - CATALOG NO. / MODEL NO. AND QUANTITY				
Unit Model No.	Polished Brass Finish		Brushed Stainless Finish	
	for 24 in. wide Glass Door	for 40 in. wide Glass Door	for 24 in. wide Glass Door	for 40 in. wide Glass Door
	80L95 ADKE-60B	80L93 ADK-6/60B	81L05 ADKE-60P	81L03 ADK-6/60P
CDST	-	2	-	2
CDPF	1	2	1	2
CDCR CDCL	1	1	1	1



Remote Control System (Standard) H0249 RCL

Standard Remote Control System (Model RCL)

The Model RCL (Standard) Remote Control System, features a simplistic on/off control function for the fireplace. This model includes a hand-held transmitter, a remote receiver with wall-mount coverplate and all hardware required to install the unit. The remote receiver can be wall or hearth mounted.

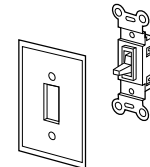
The transmitter has ON and OFF functions that are activated by pressing either button on the face of the transmitter. When a button on the transmitter is pressed, a signal light illuminates briefly to verify that a signal has been sent.

The Model RCL is designed to operate with all millivolt ignition systems, as well as electronic ignition systems. It may be installed with use for either natural or propane gas appliances. The RCL offers ease of installation and allows you to execute on-off commands to the fireplace effortlessly with one simple motion.

The Model RCL comes complete with detailed operating instructions.

Flame Modulating Remote Control
 Natural Gas H0301 RCL-MN
 LP/Propane Gas H0302 RCL-ML

Flame Modulating Remote Controls were developed to provide a safe, reliable and user-friendly remote control system for appliances equipped with a Millivolt Gas Valve. A detailed set of instructions are included with each remote.



ON/OFF Wall Switch Kit 85L87 FWSK

ON/OFF Wall Switch Kit

The ON/OFF wall switch kit may be used to control the operation of the fireplace burner as an alternative to the unit-mounted ON-OFF switch. Install the ON/OFF wall switch in a convenient location near the fireplace.

ACCESSORY COMPONENTS CONTINUED

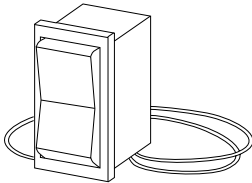


Remote Control System (Deluxe) H0251 RCL-T

Deluxe Remote Control System (Model RCK-D)

The Model RCL-T (Deluxe) Remote Control System has all of the features of the standard system along with an added easy to read LCD screen which presents access to many enhancements, including; battery power level indicator, timer, mode of operation, thermostatic display including room temperature in either metric or English units, flame indicator and clock. Fully programmable, the Model RCL-T allows for virtual command over nearly all operational and temperature variables, using the hand held remote control transmitter.

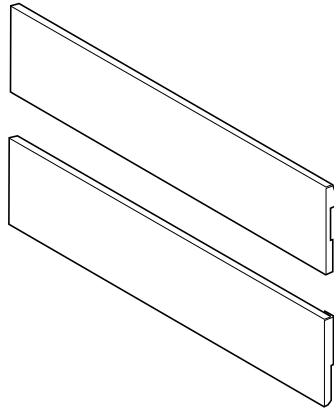
The Model RCL-T (Deluxe) remote control system is installed in the same manner as the standard system, may be operated with electronic and millivolt systems with either natural or propane gas. The RCL-T comes complete with detailed operating instructions.



Rocker Switch Kit 80L41 FRS

Optional Unit Mounted Rocker Switch

An optional rocker switch kit can be installed directly on all Millivolt Gas Valve Equipped Multi-Open Series appliances to provide for On and Off operation in lieu of a wall switch. This kit is designed to install in the lower control compartment out of view and is perfect for use in high volume areas such as lobbies and model homes where limited access to the appliance On/Off switch is desirable. This kit can be retrofitted to previously installed appliances and may be temporarily installed in place of other switch circuitry.

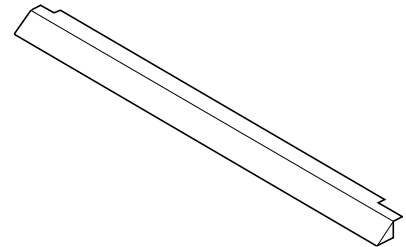


Clean Faced Panel Kit

A clean faced panel kit is available to convert the standard louvered appliances to radiant models more suited for finishing around the firebox opening with non-combustible materials such as tile.

Black Clean Faced Panel Kits CATALOG NO. / MODEL NO. AND NUMBER OF SETS

Unit Model No.	for 24 in. wide Glass Door	for 40 in. wide Glass Door
	80L79 CFPKE-60	80L77 CFPK-6/60
CDST	-	2
CDPF	1	2
CDCR CDCL	1	1



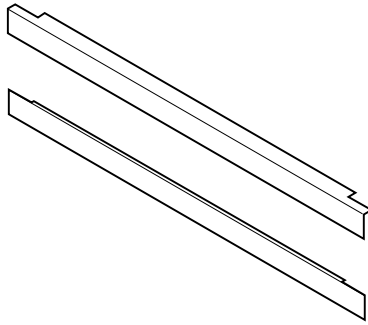
Polished Brass and Brushed Stainless Hood Kits

Attractive hoods are available in two styles to be used on the Multi-Open Series appliances. These hoods are designed to be fitted to the glass viewing sides of the appliance. In addition to providing an aesthetically pleasing appearance to your appliance installation, the hood reduces heat effects to decorative mantles and finish materials located above the fireplace opening. The hood kit replaces the standard hood that comes with these appliances and snaps into place. These kits can be retrofitted to previously installed appliances.

Hood Kits CATALOG NO. / MODEL NO. AND NUMBER OF SETS

Unit Model No.	Polished Brass Finish		Brushed Stainless Finish	
	for 24 in. wide Glass Door	for 40 in. wide Glass Door	for 24 in. wide Glass Door	for 40 in. wide Glass Door
	80L55 HKE-60B	80L53 HK-6/60B	80L63 HKE-60P	80L61 HK-6/60P
CDST	-	2	-	2
CDPF	1	2	1	2
CDCR CDCL	1	1	1	1

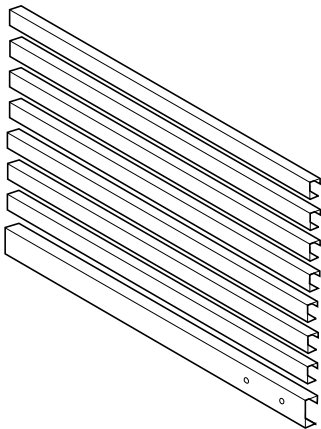
ACCESSORY COMPONENTS CONTINUED



Door Frame Kits (2-Piece, Top and Bottom)

Two types of decorative door frame kits are available for use with these appliances - one, in polished brass finish; the other, in brushed stainless steel finish. The DTK is designed to attach directly to the front face of the appliance at the glass enclosure panels top and bottom edges. The DTK provides a touch of elegance to the appliance. The door frame kit can be retrofitted onto previously installed appliances.

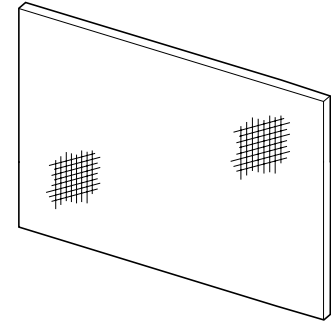
Door Frame Kits (2-piece) CATALOG NO. / MODEL NO. AND NUMBER OF SETS				
Unit Model No.	Polished Brass Finish		Brushed Stainless Finish	
	for 24 in. wide Glass Door	for 40 in. wide Glass Door	for 24 in. wide Glass Door	for 40 in. wide Glass Door
	26M94 DTKE-6B	19M89 DTK-6B	26M95 DTKE-6BS	19M90 DTK-6BS
CDST	-	2	-	2
CDPF	1	2	1	2
CDCR CDCL	1	1	1	1



Louvers Kits

Decorative louvers are available for use with Multi-Open Series fireplaces. These louvers are designed to replace the standard black louvers that are provided with the appliance or to replace the radiant panels if they were installed as an accessory. The polished brass and brushed stainless steel louver kits includes eight (8) louvers. They provide a touch of elegance to any Multi-Open Series appliance. This kit can be retrofitted to previously installed appliances.

Louver Kits CATALOG NO. / MODEL NO. AND NUMBER OF SETS				
Unit Model No.	Polished Brass Finish		Brushed Stainless Finish	
	for 24 in. wide Glass Door	for 40 in. wide Glass Door	for 24 in. wide Glass Door	for 40 in. wide Glass Door
	80L71 LKE-60B	80L69 LK-6/60B	80L75 LKE-60BS	80L73 LK-6/60BS
CDST	-	2	-	2
CDPF	1	2	1	2
CDCR CDCL	1	1	1	1



Screen Panel Kit
 24 inch Wide Glass Door 80L46 SPKE-60
 40 inch Wide Glass Door 80L44 SPK-6/60

Screen Panel Kit

An optional screen panel can be installed on the Multi-Open Series doors. These screen panels are easy to install. These kits can be retrofitted to previously installed appliances. The screen panel kits can not be used in conjunction with either of the arch door kits or door frame kits.



Forced Air Blower Kits
 -Single Speed 80L84 FBK-100
 -Variable Speed with wall-mounted switch 80L85 FBK-200
 -Variable Speed with unit-mounted switch 80L86 FBK-250

Forced Air Kit

The FBK-100 blower provides for a constant velocity forced air circulation feature for your appliance. The FBK-200 assembly with variable speed wall switch provides a forced air circulation feature for your appliance. The FBK-250 comes complete with a unit mounted switch operating system.



Touch-Up Paint Kit (Black) 90L73 FTPK-B
Touch-Up Paint Kit (Tan) 98K67

Touch-Up Paint Kit

Repair of minor scratches and discoloration of the appliance black painted cabinet surfaces may be accomplished with the touch-up paint kit.

REPLACEMENT PARTS LIST

No.	DESCRIPTION	Natural and Propane					
		Part No.	Qty.	Qty.	Qty.	Qty.	
			CDST	CDPF	CDCL	CDGR	
1a	Hood, black - 24 in.	LB-91941EZ	none	1	1	1	
1b	Hood, black - 40 in.	LB-91941CZ	2	2	1	1	
2a	Upper Louver Panel, black - 24 in.	LB-92404E	none	1	1	1	
2b	Upper Louver Panel, black - 40 in.	LB-92404C	2	2	1	1	
3a	Glass Enclosure Assembly - 24 in.	LB-92534E	none	1	1	1	
3b	Glass Enclosure Assembly - 40 in.	LB-92534C	2	2	1	1	
4a	Lower Louver Panel, black - 24 in.	LB-92405E	none	1	1	1	
4b	Lower Louver Panel, black - 40 in.	LB-92405C	2	2	1	1	
5	Nameplate (Brand)	56L9301	2	2	1	1	
6	Log Set	69L6201	1	1	1	1	
7	Bag of Glowing Embers	88L53	1	1	1	1	
8	Bag of Decorative Volcanic Stone	80L42	2	2	2	2	
9	Magnet, Louver Panel	094326	2	4	3	3	
10a	Main Burner Set	Rear	LB-95452E	1	1	1	1
10b		Front	LB-95452F	1	1	1	1
11	Gasket, Burner Tray Mounting	19L5101	1	1	1	1	
12	Gasket, Venturi Tube Mounting (per burner)	43K8501	1	1	1	1	
13a	Venturi Tube / Air Shutter	Rear	74L9201	1	1	1	1
13b		Front	60L4001	1	1	1	1
14	Latch, Glass Enclosure Panel	69L2101	4	6	4	4	
15	Magnet, Latch, Spring-Loaded	69L3101	2	2	1	1	
16	Burner Adjustment Rod	LB-95561	1	1	1	1	
17	Flex Gas Line Connector	93L32	1	1	1	1	

REPLACEMENT PARTS LIST

GAS CONTROLS — SIT MILLIVOLT

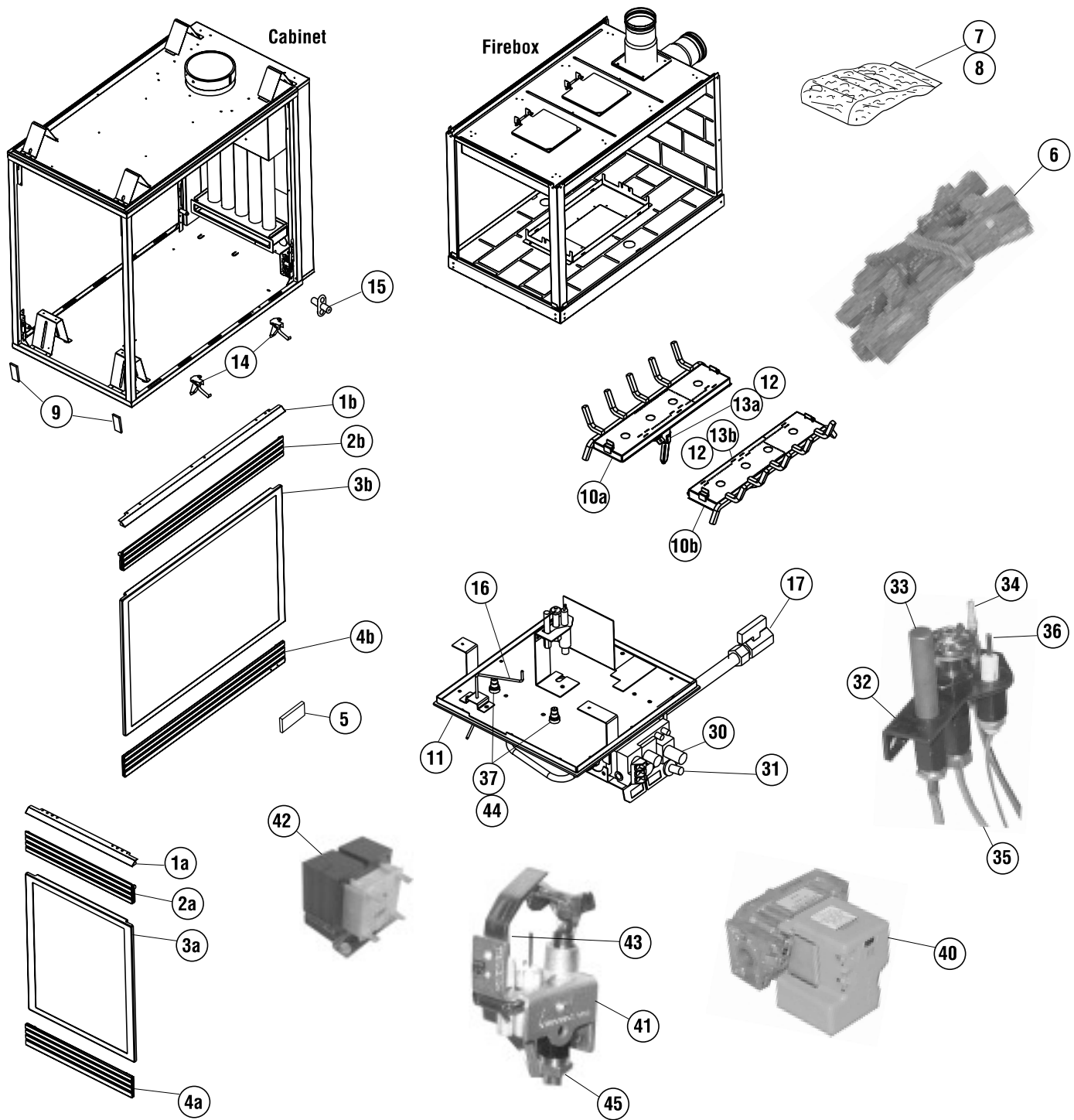
No.	DESCRIPTION	Natural		Propane	
		Part No.	Qty.	Part No.	Qty.
30.	Gas Valve - SIT	43K0701	1	88J5301	1
31.	Piezo Igniter	10K8601	1	10K8601	1
32.	Pilot Assembly	69L1701	1	69L1801	1
33.	Pilot Generator	60J7901	1	60J7901	1
34.	Thermocouple	74L5701	1	74L5701	1
35.	Pilot Tube	74L5601	1	74L5601	1
36.	Electrode And Cable	74L5801	1	74L5801	1
37.	Orifice	60J8001	2	19L5201	2

GAS CONTROLS — HONEYWELL ELECTRONIC

No.	DESCRIPTION	Natural		Propane	
		Part No.	Qty.	Part No.	Qty.
40.	Gas Valve - Honeywell	62L1801	1	62L1901	1
41.	Pilot Assembly	62L1401	1	62L1501	1
42.	Transformer	42J3201	1	42J3201	1
43.	Ignitor Assembly (Kit)	87L54	1	87L54	1
44.	Orifice	60J8001	2	19L5201	2
45.	Pilot Tube	LB-95660	1	LB-95660	1

REPLACEMENT PARTS

Model CDPF Shown - see table on page 18 and 19 for replacement parts applicable to CDST, CDCR and CDCL



NOTE: DIAGRAMS & ILLUSTRATIONS NOT TO SCALE.

The manufacturer reserves the right to make changes at any time, without notice, in design, materials, specifications, prices and also to discontinue colors, styles and products. Consult your local distributor for fireplace code information.