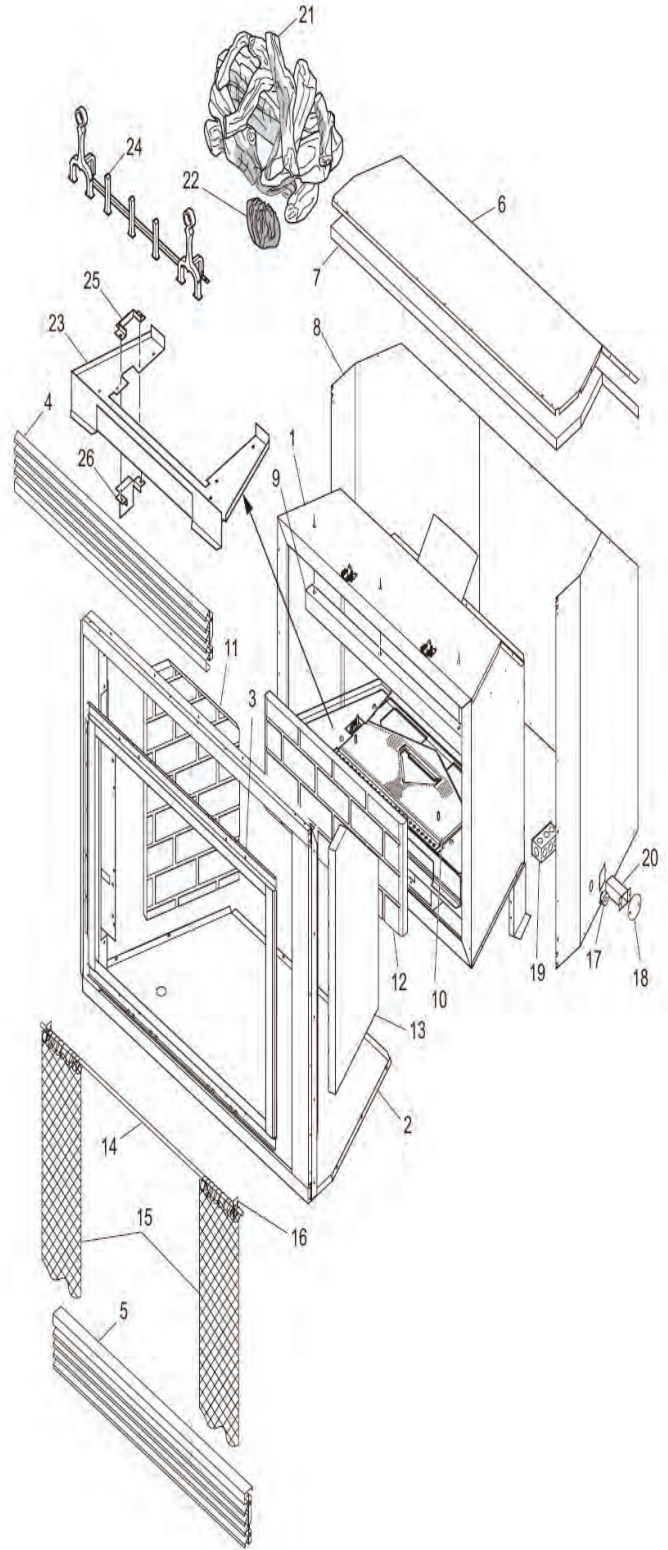


FMI Chateau 42" Direct Vent Firebox

MODELS: KC42N, KC42P, KC42NH, KC42PH, KC42NE, KC42PE, KC42NHE, KC42PHE

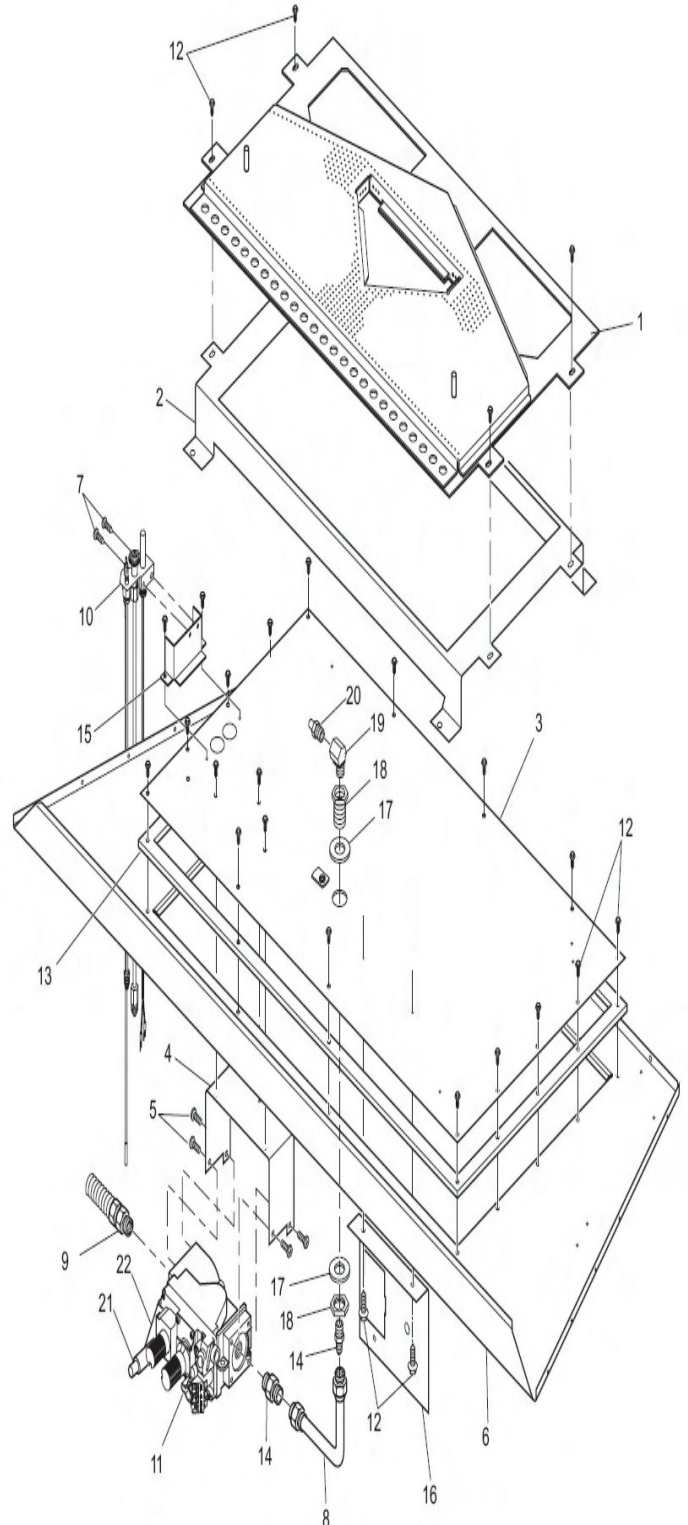
	Part Number	Description
1	**	Firebox Assembly
2	**	Face Weldment
3	108328-01	Door Assembly
4	108331-01	Top Louver Assembly
5	108331-02	Bottom Louver Assembly
6	**	Fireplace Top
7	**	Fireplace Top Insulation
8	**	Fireplace Surround
9	109082-01	Heat Shield
10	116542-01	Burner Assembly Millivolt NG
	116542-02	Burner Assembly Millivolt LP
	116542-05	Burner Assembly High Altitude
	116541-03	Burner Assembly Elec. Ign. NG
	116541-04	Burner Assembly Elec. Ign. LP
11	111299-02	Left Refractory Stacked
	111302-02	Left Refractory Herringbone
12	111297-02	Rear Refractory Stacked
	111300-02	Rear Refractory Herringbone
13	111298-02	Right Refractory Stacked
	111301-02	Right Refractory Herringbone
14	108455-01	Screen Rod
15	107840-01	Screen
16	11418	Push-On Nut
17	14123	Strain Relief
18	21171	Gas Knock-Out Cover
19	24353	Handy Box Assembly
20	24460	Gas Conduit Assembly
21	116218-01	Log Set Assembly
22	116602-01	Ember Pod
23	116543-01	Plenum
24	111871-03	Andiron Assembly
25	118372-03	Top Pilot Shield
26	120945-03	Bottom Pilot Shield
PARTS AVAILABLE - NOT SHOWN		
	25487	Lava Rock/Bag Assembly



FMI Chateau 42" Direct Vent Millivolt Burner Assembly

MODELS: KC42N, KC42P, KC42NH, KC42PH

Part Number	Description
1	** Burner Pan Assembly
2	** Base Grate
3	** Firebox Base Bottom
4	26808 Valve Bracket
5	11107 Screw, #10-32 x 1/4 Zinc
6	** Firebox Bottom
7	11102 Screw, #8-32 x 3/8 Zinc
8	116572-02 Tubing Assembly
9	111288-02 Flex Gas Line
10	108084-02 Pilot Assembly NG
	108084-03 Pilot Assembly LP
	108084-05 Pilot Assembly (-HA Models)
11	14389 Natural Gas Valve
	14390 Propane/LP Gas Valve
	117370-01 Natural Gas High Altitude Valve
12	11165 Screw, #10 x 5/8 Zinc
13	111913-02 Burner Base Gasket
14	14396 Brass Fitting
15	116345-01 Pilot Bracket
16	26827 Switch Bracket
17	116573-01 Flat Washer 7/8" ID x 2" OD
18	11214 Bulkhead Fitting with Washer
19	14296 Elbow 3/8"
20	116561-01 Burner Orifice #31 NG
	116563-01 Burner Orifice #49 LP
21	14492 Piezo Ignitor
22	14511 Piezo Bracket
PARTS AVAILABLE NOT SHOWN	
	108085-03 Pilot Orifice #62 (-HA Models Only)



FMI Chateau 42" Direct Vent Elec. Ign. Burner Assembly

MODELS: KC42NE, KC42PE, KC42NHE, KC42PHE

	Part Number	Description
1	**	Burner Pan Assembly
2	**	Base Grate
3	**	Bottom Firebox Base
4	26808	Valve Bracket
5	11107	Screw, #10-32 x 1/4 Zinc
6	**	Firebox Bottom
7	11102	Screw, #8-32 x 3/8 Zinc
8	116572-02	Aluminum Tubing Assembly
9	111288-02	Flex Gas Line
10	108866-01	Electric Pilot Assembly NG
	108866-02	Electric Pilot Assembly LP
11	14569	Electric Valve Assembly NG
	14570	Electric Valve Assembly LP
12	11165	Screw #10 x 5/8 Zinc
13	111913-02	Burner Base Gasket
14	14396	Brass Fitting
15	116345-01	Pilot Bracket
16	26827	Switch Bracket
17	116573-01	Flat Washer, 7/8" ID x 1 1/4" OD
18	11214	Bulkhead Fitting with Washer
19	14296	Elbow, 3/8"
20	116561-01	Gas Orifice #31 NG
	116563-01	Gas Orifice #49 LP
21	11186	Screw, #8 x 32 x 1 Zinc
22	110286-01	Ignition Module
23	11147	Screw, 10-24 x 1/2 BLK
24	14129	Transformer, 24V Class 2
25	116659-01	Crimp-on Terminal Ring
26	108863-01	24" Supply Connect Plug
27	14149	Spade 1/4 F RT. Angle
28	14126	16 GA Green Wire
29	14134	18 GA Black Wire
30	14520	Spade 1/4 Female Connector
31	17223	Magnet
32	23416	Electronic Components Board
33	11201	Nut, 8-32 Hex Zinc

