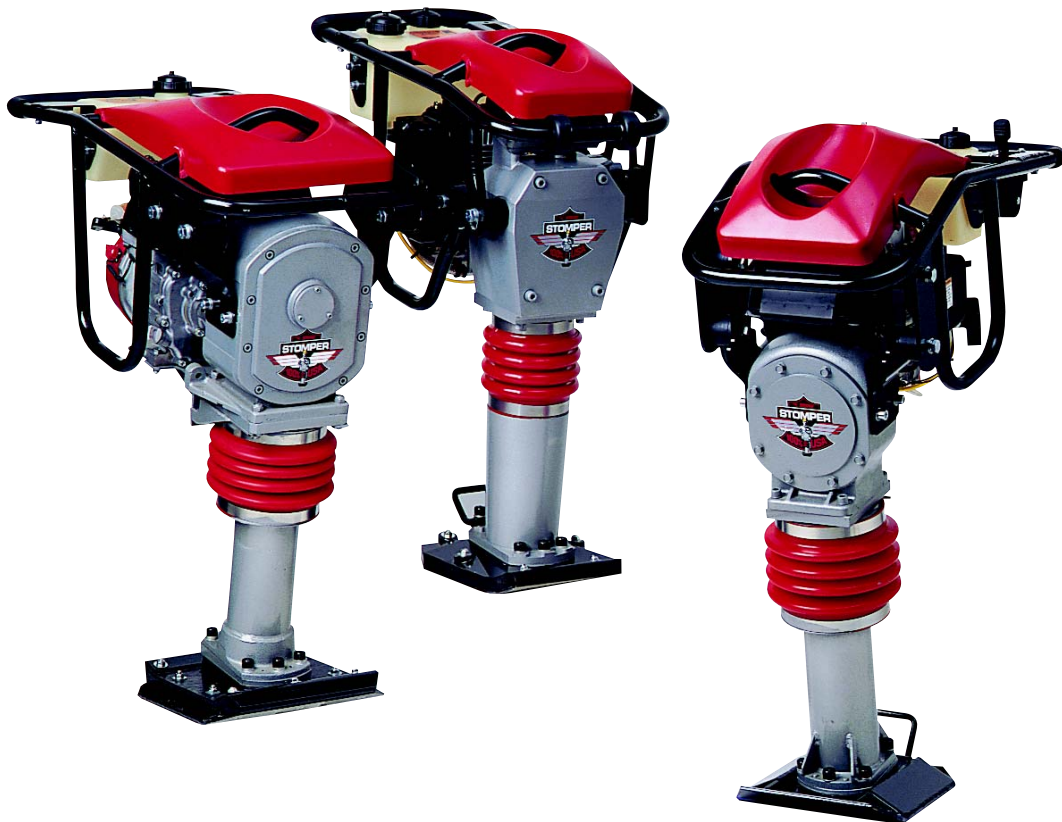




OPERATOR/SERVICE MANUAL

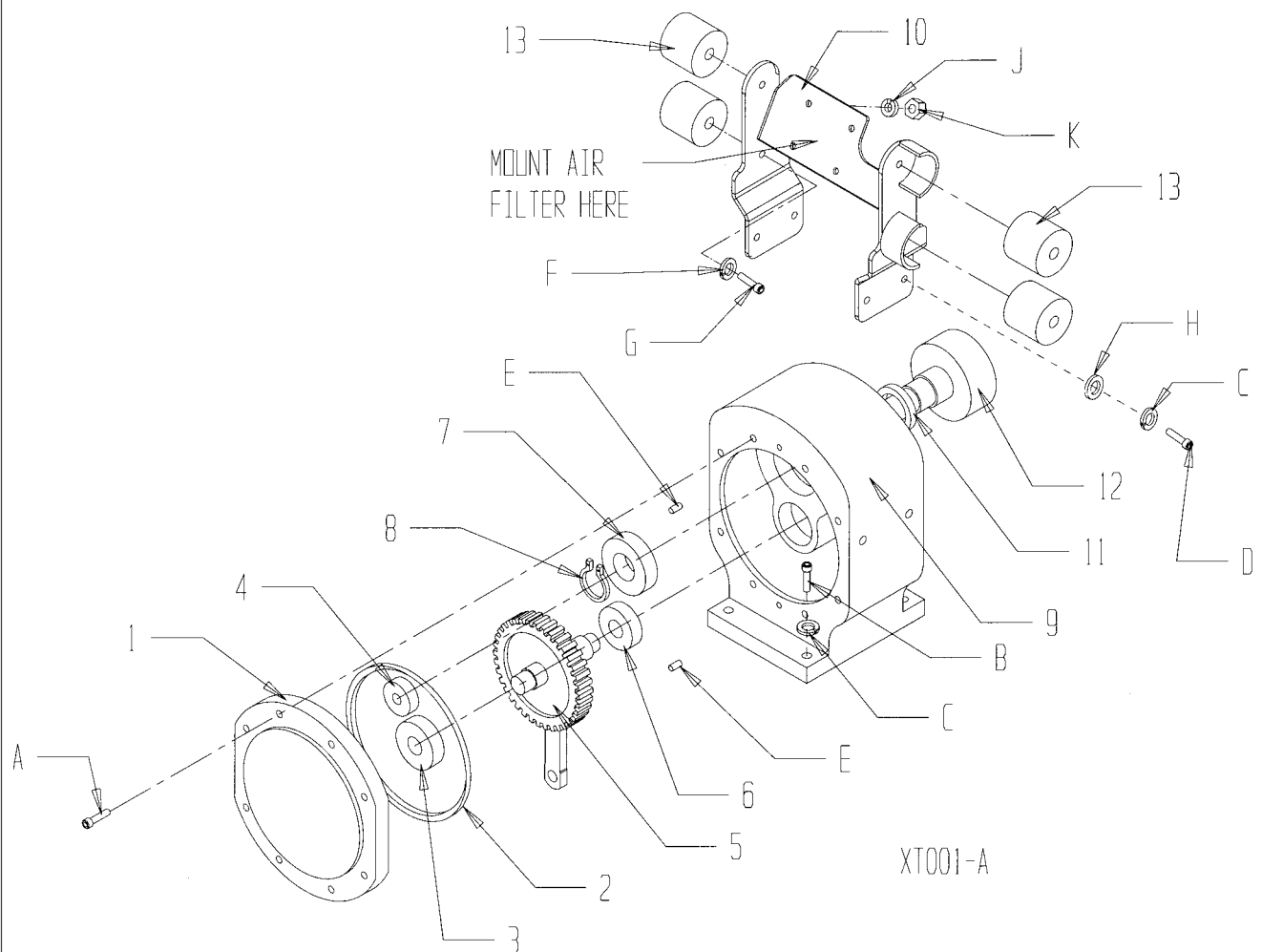
MODEL: XN650R, XN650ROI, XT728R,
XT728ROI, XM832R, XM832ROI,
XJ834HG, XD836Y



STOMPER® - 2 Cycle Oil Injected and Pre-Mix,
4 Cycle and Diesel

A 100% employee-owned American manufacturer

8.3 Gearcase for XT Oil Injected and Pre-Mix



8.3 Gearcase for XT Oil Injected and Pre-Mix

Item	Part No.	Description	Qty.
1**	21112	Case Cover with Bearings	1
2	32254	O-Ring	1
3	32022	Bearing	1
4	32255	Bearing	1
5	42471	Crank Shaft Assy 52T	1
6	32023	Bearing	1
7	32213	Bearing	1
8	30192	Retaining Ring	1
9	65000	Gearcase Assembly	1
10	44231-2	Shock Mount Brkt	1
11#	38507	Shaft Seal	1
12	42466	Clutch Shaft 8T	1
13	65004	Shock Mount	4

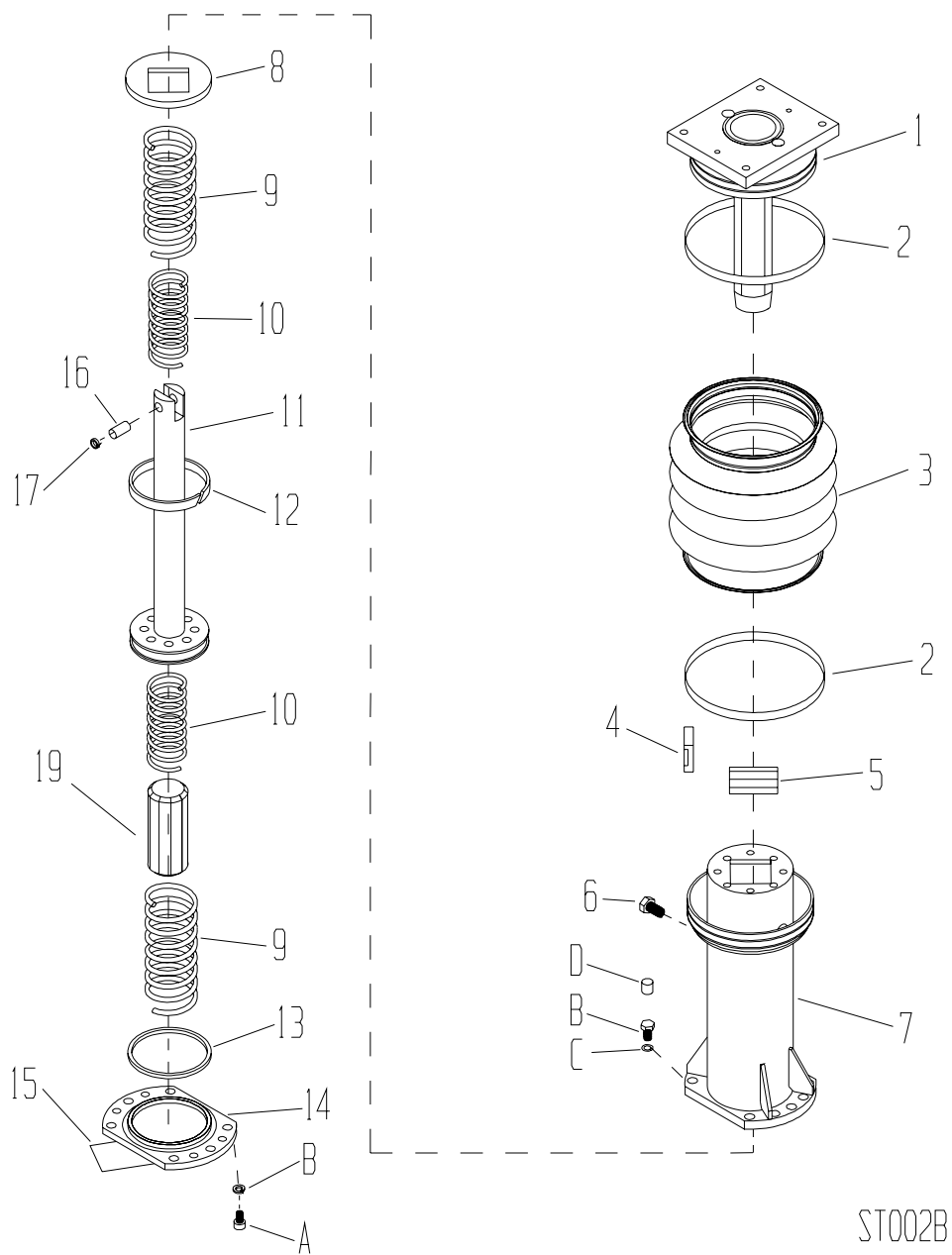
Item	Part No.	Description	Qty.	DIN
A*	80802	HWHST M8 -1.25 x 25mm ZN	8	7500
B*	80801	SHCS M10 1.5 x 35mm 12.9 BLK	4	912
C	80804	WSHRL M10 Split ZN	8	127B
D*	80803	SHCS M10 1.5 x 25mm 8.8 ZN	4	912
E	80002	PIN 1/4 inch	2	-
F	80805	WSHRL M12 Split ZN	4	127B
G*	80808	HHCS M12 1.75 x 20mm 8.8 ZN	4	933
H	80806	WSHR M10 Flat 20 OD ZN	4	125A
J	80812	WSHRL M8 Split ZN	4	127B
K	80817	NUTNY M8 1.25	4	985

Lube seal with grease when replacing

* Loctite Required

** Includes Items 1, 3 & 4

8.8 Lower Unit - XT Oil Injected and Pre-Mix



THE SPRING RETAINING BASE PLATE RETAINS HEAVY SPRINGS UNDER COMPRESSION. FOLLOW THE INSTRUCTIONS (BASE PLATE REMOVAL LOCATED ON PAGE 53 OF THIS MANUAL) CAREFULLY OR SEVERE PERSONAL INJURY MAY OCCUR.

8.8 Lower Unit - XT Oil Injected and Pre-Mix

Item	Part No.	Description	Qty.
1	65050-2	Guide Tube	1
2	44106	Boot Clamp	2
3	47361	Boot	1
4	27938	Bushing Short	2
5	27939	Bushing Long	2
6^	34096	Oil Sight Gauge	1
7	65008-2	Spring Housing	1
8	42318	Spring Spacer	1
9	42619	Spring Outer	2
10	42620	Spring Inner	2
11	42923	Piston Assy	1
12	27521	Piston Ring	1
13	32033	O-Ring	1
14	65009-2	Base Plate	1
15	55026	Safety Decal	1
16	80423	Rod Pin	1
17	80519	Internal Retainer Ring	1
18#	65011-2	Shoe 11	
19	47441	Snubber - Axial, Lower	1
20#	23344	Snubber Kit	

Item	Part No.	Description	Qty.	DIN
A*	80803	SHCS M10 1.5 x 25mm 8.8 ZN	4	912
B	80804	WSHRL M10 Split ZN	4	127B
C*	80819	SHCS M12 1.75 x 35mm 8.8 ZN	6	912
D	80805	WSHRL M12 Split ZN	6	127B
E	80765	Cap Plastic Blk	6	-

^ Use of a socket wrench is recommended to avoid damage to the sight gauge.

* Loctite Required

Not Shown

8.11 Engine - XN, XT & XM Oil Injected and Pre-Mix

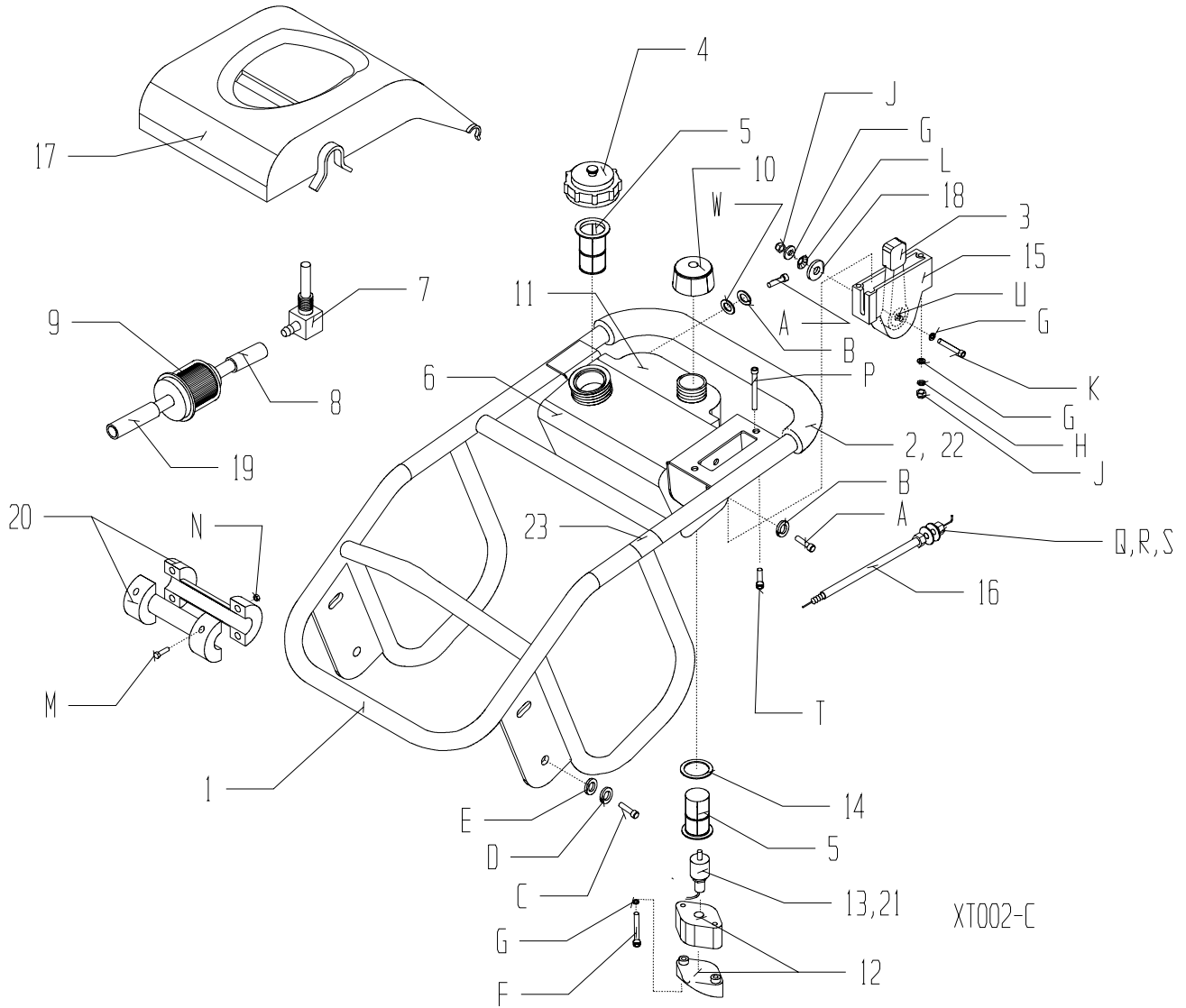
Item	Part No.	Description	Qty.
1**	23208	Kit EC12 O/I Engine XN	1
1a	23209	Kit EC12 O/I Engine XT	1
1b	23210	Kit EC12 Pre-Mix Engine XN	1
1c	23211	Kit EC12 Pre-Mix Engine XT	1
1d	23212	Kit EC12 O/I Engine XM	1
1e	23213	Kit EC12 Pre-Mix Engine XM	1
2	30356	Clutch Robin Honda (XM, XJ)	1
2a	30308	Clutch (XN & XT)	1
3	23148	Kit Valve/Kill Switch	1
4	39396	Hose Air Filter (XN)	1
4a	39397	Hose Air Filter (XT, XM)	1
5	35995	Filter/Precleaner Lower EC10/EC12	1
6	39329	Air Filter Coarse 1st Stage	1
7	39330	Air Filter Fine 1st Stage	1
8	39332	Frame Air Filter 1st Stage	1
9	23144	Air Filter Assy 1st Stage	1
10	23142	Air Filter Assy Primary	1
11	35060	Nut M12 - 1.25 (XN & XT)	1
12	27242	Spacer (XN & XT)	1
13	39489	Fuel Line 3/16 ID x 2 3/4	1
14	39502	Clamp Cable .083	1
15	39478	Fuel Line 3/16 ID x 23" LG	1

Item	Part No.	Description	Qty.	DIN
A*	80406	HHCS M8 - 1.25 x 20mm 8.8 ZN	4	933
B	80812	WSHRL M8 Split ZN	4	127B
C	80813	WSHR M8 Flat 24 OD ZN	4	9021B
D*	80815	HHCS M10 - 1.5 x 30mm 8.8 ZN	4	912
E	80804	WSHRL M10 Split ZN	4	7980
F	80926	CHSMS M4 x 16mm	2	7981
G	80929	WSHRL M4 Split ZN	2	127B
J	80426	WSHR 9/16 Type B ZN	1	-
K	80872	SHCS M10-1.5 x 30 8.8 ZN (XM)	2	912

* Loctite Required

** Kit to include all parts shown fully assembled.

8.15 Handle and Fuel Tank XT/XM Oil Injected and Pre-Mix



8.15 Handle and Fuel Tank XT/XM Oil Injected and Pre-Mix

Item	Part No.	Description	Qty.
1	44215-2	Handle Weld Assembly	1
2	39483	Handle Grip Cushion	1
3	39387	Throttle Lever	1
4	35701	Cap Gas	1
5	47219	Strainer (Oil Injected)	2
5a	47219	Strainer (Pre-Mix)	1
6	39350	Tank Gas (Oil Injected)	1
6a	65081	Tank Gas (Pre-Mix)	1
7	23022	Tank Fitting	1
8	39488	Fuel Line 3/16 ID x 15" LG	1
9	35486	Filter Gas	1
10	39346	Cap Oil (Oil Injected)	1
11	39349	Tank Oil (Oil Injected)	1
12	23065	Tank Guard Set (Oil Injected)	1
13	39316	Sensor Oil (Oil Injected)	1
14	32314	Gasket, Oil Tank (Oil Injected)	1
15	39386	Throttle HSG	1
16 ^{^+}	39485	Throttle Control	1
17	39426	Cover - Plastic	1
18	39402	Washer Clutch	1
19	39477	Fuel Line 3/16 ID x 6 1/4" LG	1
20**	23138	Kit Wheel -Handle (optional)	1
21	39476	O-Ring (Oil Injected)	1
22	42819	Tube Grip	1
23+	34091	Clamp Cable	1
24a#	39150	Hose, Guard (Oil Injected)	1
24b#	48413	Wiring Harness (Oil Injected)	1
24c#	39308	Ferrule (Oil Injected)	2

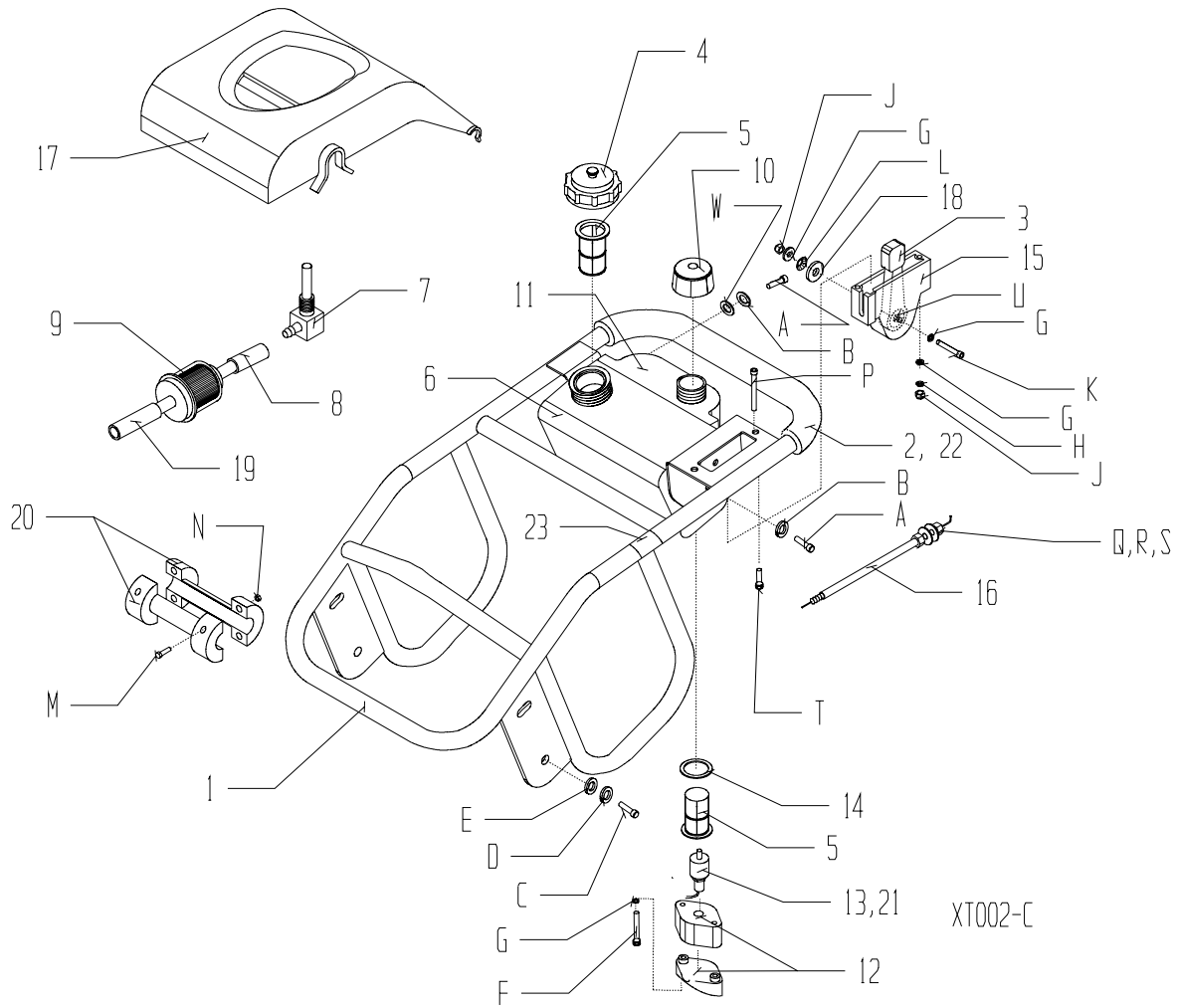
[^] Lubricate Throttle Wire

Not Shown

+ Included in P/N 23427

** Includes 20, M & N

8.15 Handle and Fuel Tank XT/XM Oil Injected and Pre-Mix



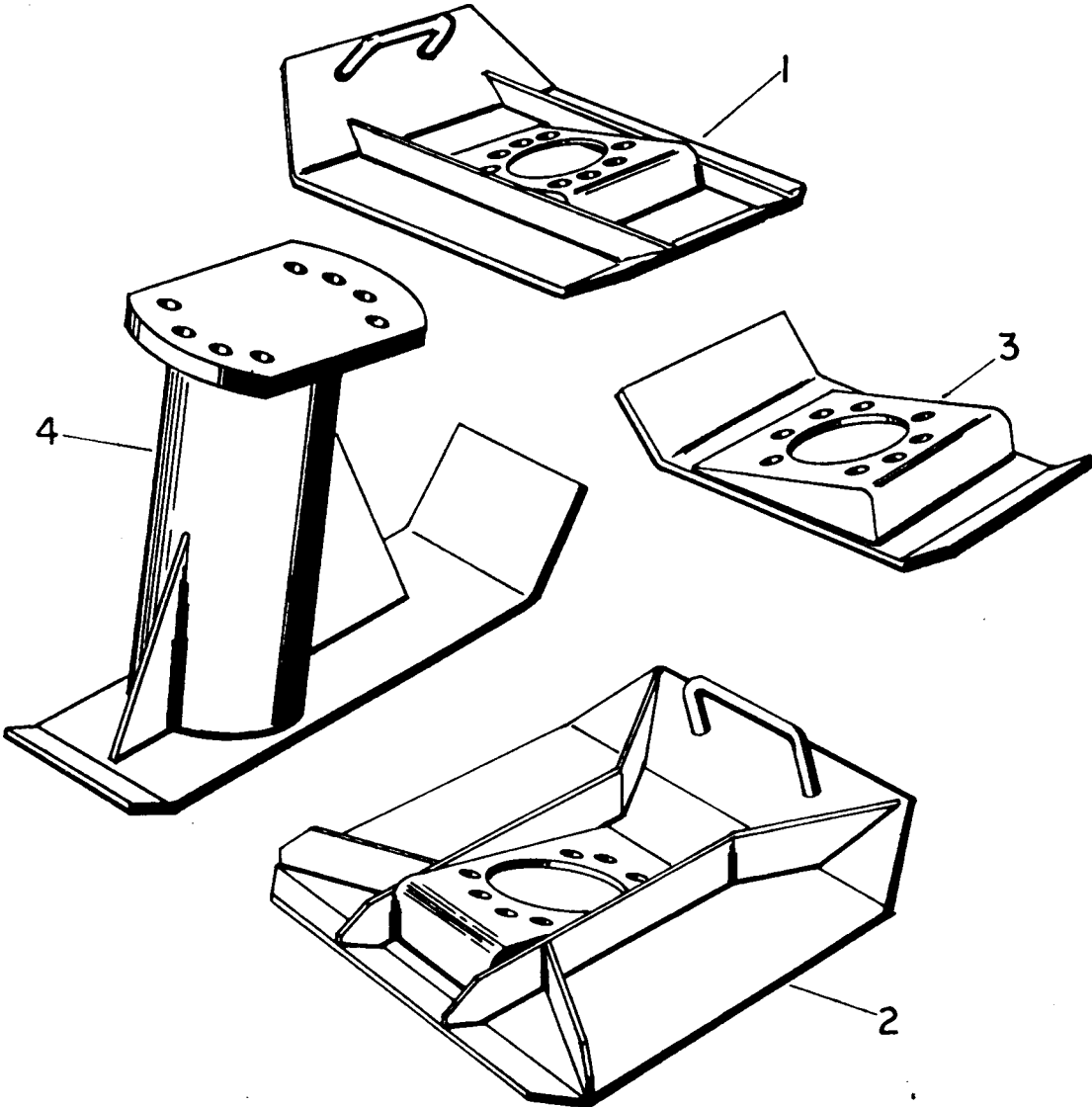
8.15 Handle and Fuel Tank XT/XM Oil Injected and Pre-Mix

Item	Part No.	Description	Qty.	DIN
A*	80894	SHCS M8 - 1.25 x 16mm 8.8 ZN (Oil Inj.)	10	912
A1	80894	SHCS M8 - 1.25 x 16mm 8.8 ZN (Pre-Mix)	6	
B	80812	WSHRL M8 Split ZN (Oil Inj.)	10	127B
B1	80812	WSHRL M8 Split ZN (Pre-Mix)	4	
C*	80887	HHCS M12 - 1.75 x 25mm 8.8 ZN (XT)	4	933
D	80805	WSHRL M12 Split ZN (SM)	4	127B
E	80807	WSHR M12 x 24 OD ZN (ST)	4	125A
F	80912	SHCS M6 x 50 BLK BN2 (Oil Inj.)	4	-
G	80856	WSHR M6 Flat 12 OD ZN (Oil Inj.)	6	125A
G1	80856	WSHR M6 Flat 12 OD ZN (Pre-Mix)	4	
H	80860	WSHRL M6 ZN	2	127B
J	80851	NUTNY M6 - 1.0	3	985
K	80947	HHCS M6 - 1 x 40 8.8 ZN	1	931
L	80939	WSHR Belleville 1/4 ID	1	-
M	80821	SHCS M5 - .8 x 16 8.8 ZN (optional)	4	933
N	80850	NUTNY M5 - .8 ZN (optional)	4	985
P	80940	SHCS M6 - 1 x 60 8.8 ZN	2	-
Q	80247	NUTFX 5/16 - 24 ZN	2	-
R	80086	WSHRL 5/16 Split ZN	1	-
S	80495	WSHR 5/15 Plain ZN	1	-
T	80586	HWHST 5/16 - 18 x .50 ZN	2	-
U	80347	WSHR 1/4 WROT ZN	1	-
V#	39509	Clamp 3/8	1	-
W	80813	WSHR M8 Flat (Oil Inj.)	4	-
X#	23427	Kit Cable Control	1	-
Y	81154	PINSP 1/8 x 1-3/4 SST	1	-

* Loctite Required

Not Shown

8.18 Shoes for XT/XN Oil Injected and Pre-Mix



8.18 Shoes for XT/XN Oil Injected and Pre-Mix

Item	Part No.	Description
1	22983	Kit Shoe 11" Wide XT
2	22984	Kit Shoe Optional Shoe 15" Wide XT
3	22985	Kit Shoe Optional 5" Wide XT
3a	23145	Kit Shoe 5" Wide XN
3b	23161	Kit Shoe 6" Wide XN
4	22986	Kit Shoe Optional Extension 4" Wide XT
4a	23146	Kit Shoe 4" Wide 10" Extension XN
4b	23147	Kit Shoe 5" Wide 15" Extension XN
#	22987	Kit Shoe Optional 4" Wide XT
#	23244	Kit Shoe Optional 5" Wide XJ

Not Shown

8.19 Decal Identification

Item	Part No.	Description	Qty.
1	55336	Decal Caution Instruction	1
2	55378	Decal Throttle	1
3	55379	Decal Throttle Stompers	1
4	55322	Decal On/Off	1
5	55337	Decal Air Filter Maintenance	1
6	55345	Decal Oil Line Warning	1

8.19 Decal Identification

7

CAUTION

FUEL OIL

- USE DIESEL FUEL.
- CLEAN FILTER EVERY 500hrs.

LUBE OIL

- SAE 10W30 GRADE CC
- CHANGE LUBE OIL EVERY 100hrs.
- CLEAN FILTER EVERY 100hrs.

STARTING

- CHECK LUBE OIL LEVEL AND FUEL.
- FOR EAGY STARTING IN COLD WEATHER. ADD 2cc LUBE OIL TO ROCKER ARM COVER.
- WARM UP WITHOUT LOAD.

STOPPING

- CLOSE FUEL COCK AFTER STOPPING ENGINE.

PN 55325

8

HOW TO START

① Open the fuel cock

② Put the Lever in the "START" position.

③ Pull the starting handle slowly.

④ Pull until you feel resistance. Then return it slowly.

⑤ Push the decompression lever down and release.

⑥ Pull the rope hard and fast.

If the engine doesn't start, try again from ③

PN 55324

9

NOTICE

CONTACT THE MANUFACTURER IMMEDIATELY AT 1-800-888-9926 IF SAFETY OR HAZARD DECALS OR OWNER'S MANUAL ARE MISSING FROM THIS EQUIPMENT.

PN 55156

12



• Springs Under Compression
• May Cause Injury
• Consult Manual or Manufacturer Before Removing Plate.
1-800-888-9926
55026

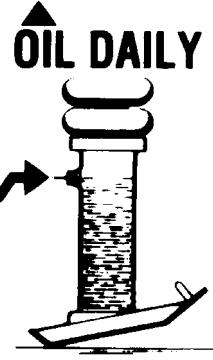
10

CHECK OIL DAILY

USE 30 WT. MOTOR OIL

OIL LEVEL

DO NOT OVERFILL



PN 55053

11

ON



OFF

PN 55377

8.19 Decal Identification

Item	Part No.	Description	Qty.
7	55325	Decal Caution Fuel Yanmar	1
8	55324	Decal How To Start Yanmar	1
9	55156	Decal Notice	1
10	55053	Decal Check Oil Daily	1
11	55377	Decal On/Off Choke	1
12	55026	Decal Warning Spring	1