



HOMEOWNER'S CARE AND OPERATION INSTRUCTIONS



B-500 MODEL SHOWN

B-VENT 500/600/800 SERIES

B-VENTED GAS APPLIANCES
P/N 725,031M REV. E 11/2004

MODELS

<i>Millivolt Models</i>	<i>Electronic Models</i>
B-500CMN	B-500CEN
B-500CMP	B-500CEP
B-600CMN	B-600CEN
B-600CMP	B-600CEP
B-800CMN	B-800CEN
B-800CMP	B-800CEP

RETAIN THESE INSTRUCTIONS
FOR FUTURE REFERENCE



WH Report No. J3008600

WARNING: IF THE INFORMATION IN THIS MANUAL IS NOT FOLLOWED EXACTLY, A FIRE OR EXPLOSION MAY RESULT CAUSING PROPERTY DAMAGE, PERSONAL INJURY OR LOSS OF LIFE.

FOR YOUR SAFETY: Do not store or use gasoline or other flammable vapors or liquids in the vicinity of this or any other appliance.

FOR YOUR SAFETY: What to do if you smell gas:

- DO NOT light any appliance.
 - DO NOT touch any electrical switches.
 - DO NOT use any phone in your building.
 - Immediately call your gas supplier from a neighbor's phone.
- Follow your gas suppliers instructions.
- If your gas supplier cannot be reached, call the fire department.

Installation and service must be performed by a qualified installer, service agency or the gas supplier.

AVERTISSEMENT: ASSUREZ-VOUS DE BIEN SUIVRE LES INSTRUCTIONS DONNÉ DANS CETTE NOTICE POUR RÉDUIRE AU MINIMUM LE RISQUE D'INCENDIE OU POUR ÉVITER TOUT DOMMAGE MATÉRIEL, TOUTE BLESSURE OU LA MORT.

POUR VOTRE SÉCURITÉ: Ne pas entreposer ni utiliser d'essence ni d'autre vapeurs ou liquides inflammables dans le voisinage de cet appareil ou de tout autre appareil.

POUR VOTRE SÉCURITÉ: Que faire si vous sentez une odeur de gaz:

- Ne pas tenter d'allumer d'appareil.
- Ne touchez à aucun interrupteur. Ne pas vous servir des téléphones se trouvant dans le bâtiment où vous vous trouvez.
- Evacuez la pièce, le bâtiment ou la zone.
- Appelez immédiatement votre fournisseur de gaz depuis un voisin. Suivez les instructions du fournisseur.
- Si vous ne pouvez rejoindre le fournisseur de gaz, appelez le service des incendies.

L'installation et service doit être exécuté par un qualifié installateur, agence de service ou le fournisseur de gaz.

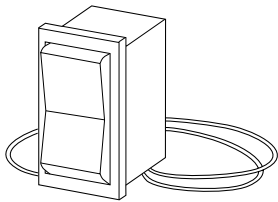
ACCESSORY COMPONENTS



Remote Control System (Standard) H0249 RCL

Standard Remote Control System

The Model RCL (Standard) Remote Control System, features a simple On/Off control function for the fireplace. This model includes a hand-held transmitter, a remote receiver with wall-mount coverplate and all hardware required to install the unit. The remote receiver can be wall or hearth mounted.

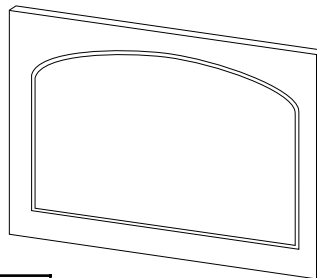


Rocker Switch Kit 80L41 FRS

Unit-Mountable Rocker Switch

This rocker switch kit can be installed directly in the gas valve mounting bracket (millivolt gas valve equipped fireplaces) to provide On/Off operation in lieu of a wall switch.

The kits attach to the glass enclosure panel without the use of hardware. The decorative arch kits can **not** be used in conjunction with the screen panel kit.



Arch Door Kits			
Catalog No.			
Kit Model No.			
Unit Model No.	B-500	B-600	B-800
Polished Brass Finish	80L92 ADK-5B	80L93 ADK-6/60B	80L94 ADK-8/80B
Brushed Stainless Finish	81L02 ADK-5BS	81L03 ADK-6/60BS	81L04 ADK-8/80BS



Remote Control System (Deluxe) H0251 RCL-T

Deluxe Remote Control System

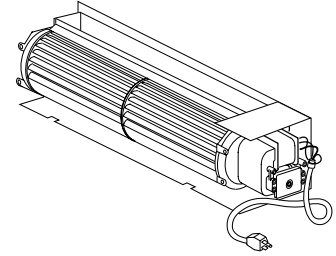
The Model RCL-T (Deluxe) Remote Control System has all of the features of the standard system along with an added easy to read LCD screen which presents access to many enhancements, including; battery power level indicator, timer, mode of operation, thermostatic display including room temperature in either metric or English units, flame indicator and clock. Fully programmable, the Model RCL-T allows for command over nearly all operational and temperature variables, using the hand held remote control transmitter.



Touch-Up Paint (Black) Kit 90L73 FTPK-B
Touch-Up Paint (Tan) Kit 98K67

Touch-Up Paint Kit

Repair of minor scratches and discoloration of the appliance's painted surfaces may be accomplished with the use of these touch-up paint kits.

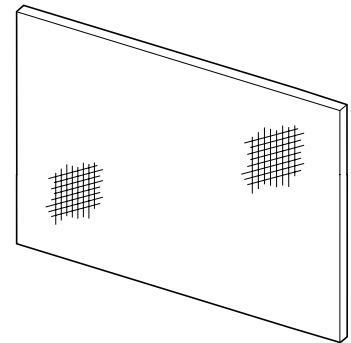


Forced Air Blower Kits

-Single Speed	80L84	FBK-100
-Variable Speed with wall-mountable switch	80L85	FBK-200
-Variable Speed with unit- or wall-mountable switch	80L86	FBK-250

Forced Air Kit

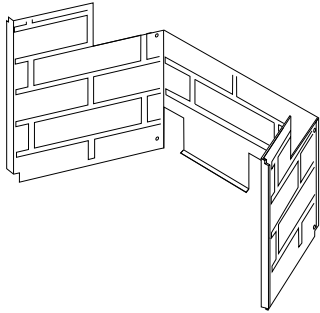
The FBK-100 blower provides constant velocity forced air circulation. The FBK-200 assembly with variable speed, wall-mountable switch provides variable speed forced air circulation. The FBK-250 assembly with variable speed wall- or unit-mountable switch, also provides variable speed forced air circulation.



Screen Panel Kits	
Unit Model No.	Catalog No. Kit Model No.
B-500	80L43 SPK-5
B-600	80L44 SPK-6/60
B-800	80L45 SPK-8/80

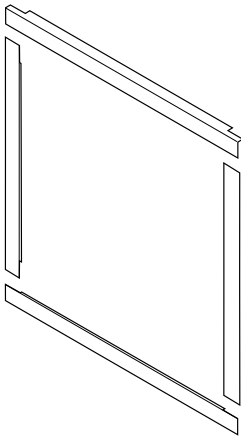
These screen panels can be installed on the glass enclosure panel to provided protection from the hot glass surface. The screen panel kits cannot be used in conjunction with either of the arch door kits or door frame kits.

ACCESSORY COMPONENTS CONTINUED



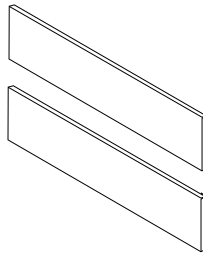
Brick Liner Kits		
Unit Model No.	Catalog No. Kit Model No.	
	Polished Brass	Brushed Stainless
B-500	H0259	BLK-5B
	H0260	BLK-6B
B-600	H0261	BLK-8B

The brickade liner kits include tan stamped sheetmetal panels for the rear and side walls of the firebox. The panels have brick-like features in relief. These kits can be retrofitted into previously installed appliances.



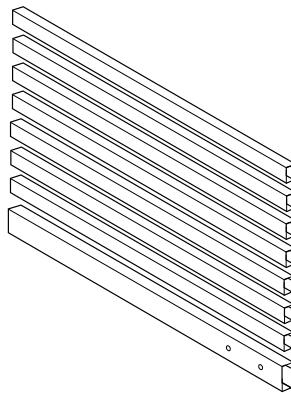
4-Piece Door Frame Kits		
Unit Model No.	Catalog No. Kit Model No.	
	Polished Brass	Brushed Stainless
B-500	80L11	80L16
	DFK-5B	DFK-5BS
B-600	80L12	80L17
	DFK-6/60B	DFK-6/60BS
B-800	80L13	80L18
	DFK-8/80B	DFK-8/80BS

These kits are designed to attach directly to the front face of the fireplace at the four edges of the glass enclosure panel.



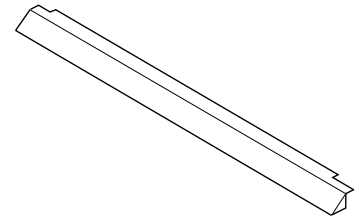
Clean Face Panel Kits		
Unit Model No.	Catalog No. Kit Model No.	
	Polished Brass	Brushed Stainless
B-500	80L76	CFPK-5/50
	80L77	CFPK-6/60
B-600	80L78	CFPK-8/80

Clean faced panel kits are available to convert the standard louvered fireplaces to radiant models which are more suited for finishing around the firebox opening with non-combustible materials, such as tile.



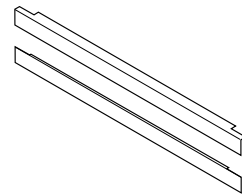
Louver Kits		
Unit Model No.	Catalog No. Kit Model No.	
	Polished Brass	Brushed Stainless
B-500	80L68	80L72
	LK-5/50B	LK-5/50BS
B-600	80L69	80L73
	LK-6/60B	LK-6/60BS
B-800	80L70	80L74
	LK-8/80B	LK-8/80BS

These louvers are designed to replace the standard black louvers that come with the fireplace, or the radiant panels that are also available with the fireplace. Eight louvers are provided in the kit.



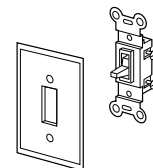
Hood Kits		
Unit Model No.	Catalog No. Kit Model No.	
	Polished Brass	Brushed Stainless
B-500	80L52	80L60
	HK-5/50B	HK-5/50BS
B-600	80L53	80L61
	HK-6/60B	HK-6/60BS
B-800	80L54	80L62
	HK-8/80B	HK-8/80BS

These hood kits replace the standard hood that comes with these fireplaces.



2-Piece Door Frame Kits		
Unit Model No.	Catalog No. Kit Model No.	
	Polished Brass	Brushed Stainless
B-500	19M85	19M86
	DTK-5B	DTK-5BS
B-600	19M89	19M90
	DTK-6/60B	DTK-6/60BS
B-800	19M93	19M94
	DTK-8/80B	DTK-8/80BS

These kits are designed to attach directly to the front face of the fireplace at the top and bottom edges of the glass enclosure panel.



ON/OFF Wall Switch Kit 85L87 FWSK

ON/OFF Wall Switch Kit

The ON/OFF wall switch kit may be used to control the operation of the fireplace burner as an alternative to the modesty panel mounted ON-OFF switch. Install the ON/OFF wall switch in a convenient location near the fireplace.

REPLACEMENT PARTS LIST

No.	DESCRIPTION	B-500		B-600		B-800	
		Part No.	Qty.	Part No.	Qty.	Part No.	Qty.
	Gas Fireplace Assembly	-	-	-	-	-	-
1.	Hood	LB-91941BZ	1	LB-91941CZ	1	LB-91941DZ	1
2.	Louver	LB-92400BZ	7	LB-92400CZ	7	LB-92400DZ	7
3.	Louver, (Base)	LB-92402BZ	1	LB-92402CZ	1	LB-92402DZ	1
4.	Enclosure, Glass Front (Complete)	LB-97615A	1	LB-97615B	1	LB-97615C	1
5.	Nameplate (Brand)	56L9301	1	56L9301	1	56L9301	1
6.	Latch	69L2101	1	69L2101	1	69L2101	1
7.	Catch, Door, Magnetic	69L3101	2	69L3101	2	69L3101	2
8.	Log Set (Complete)	69L69	1	69L77	1	74L3001	1
9.	Burner Assembly	69L0901	1	69L1001	1	69L1101	1
10.	Burner Bracket	LB-92357	3	LB-92357	3	LB-92357	3
11.	Log Grate Assembly	LB-92406B	1	LB-92406C	1	LB-92406D	1
12.	Orifice, Main Burner - Nat. Gas	37L7001	1	18L4001	1	99K7701	1
12.	Orifice, Main Burner - LP Gas	99K9701	1	LB-55874D	1	74L8801	1
13.	Bag of Embers (Rockwool)	88L53	1	88L53	1	88L53	1
14.	Bag of Decorative Volcanic Stone	74L7601	1	74L7601	1	74L7601	1
15.	Gas Line Flexible Connector	43K3301	1	43K3301	1	43K3301	1
16.	Limit Switch	62L1601	1	13M2201	1	62L1601	1

GAS CONTROLS — SIT MILLIVOLT

No.	DESCRIPTION	Natural		Propane	
		Part No.	Qty.	Part No.	Qty.
20.	Gas Valve - SIT	43K0701	1	88J5301	1
21.	Piezo Igniter	10K8601	1	10K8601	1
22.	Pilot Assembly	69L1701	1	69L1801	1
23.	Pilot Generator	60J7901	1	60J7901	1
24.	Thermocouple	74L5701	1	74L5701	1
25.	Pilot Tube	74L5601	1	74L5601	1
26.	Electrode And Cable	74L5801	1	74L5801	1

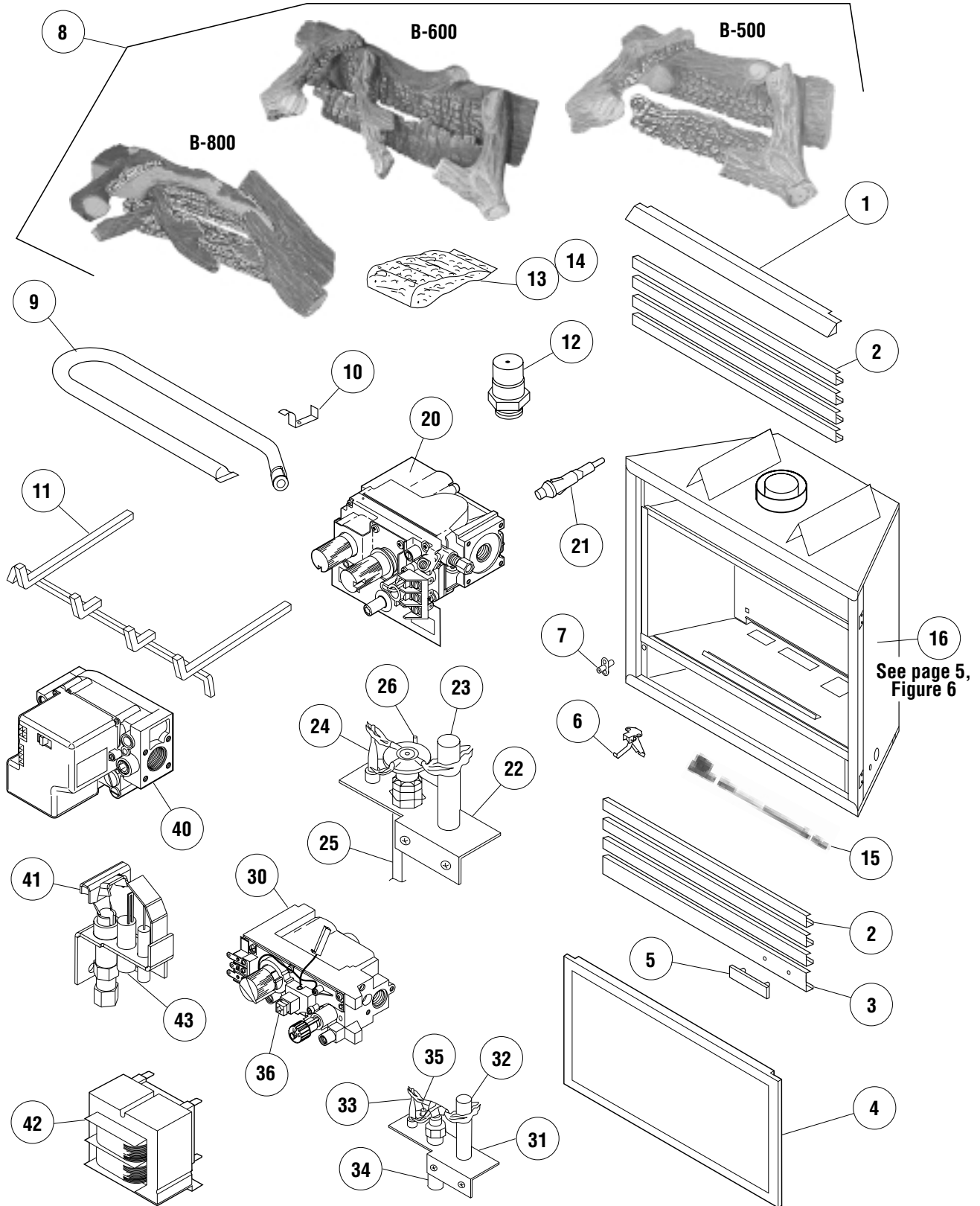
GAS CONTROLS — HONEYWELL MILLIVOLT

No.	DESCRIPTION	Natural		Propane	
		Part No.	Qty.	Part No.	Qty.
30.	Gas Valve	24M1201	1	82L8701	1
31.	Pilot Assembly	67L7001	1	67L7001	1
32.	Pilot Generator	60J7901	1	60J7901	1
33.	Thermocouple	67L6701	1	67L6701	1
34.	Pilot Tube	67L6801	1	67L6801	1
35.	Electrode And Cable	67L8701	1	67L8701	1
36.	Piezo Igniter	24M8901	1	24M8901	1

GAS CONTROLS — ELECTRONIC

No.	DESCRIPTION	Natural		Propane	
		Part No.	Qty.	Part No.	Qty.
40.	Gas Valve - Honeywell	62L1801	1	62L1901	1
41.	Pilot Assembly	62L1401	1	62L1501	1
42.	Transformer	42J3201	1	42J3201	1
43.	Ignitor Assembly (Kit)	87L54	1	87L54	1

REPLACEMENT PARTS



NOTE: DIAGRAMS & ILLUSTRATIONS NOT TO SCALE.

The manufacturer reserves the right to make changes at any time, without notice, in design, materials, specifications, prices and also to discontinue colors, styles and products. Consult your local distributor for fireplace code information.