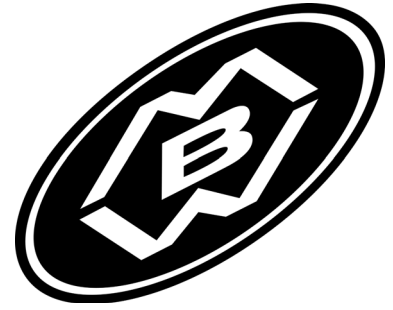


OPERATOR'S SAFETY AND SERVICE MANUAL



2000, 2018 AP2000+ & 3550

This manual covers the following serial numbers
and higher for each model listed:

2000.....2070150.

2018.....2180195.

3550.....3551200.



VIBRATORY PLATES

MBW, Inc.

250 Hartford Rd • PO Box 440
Slinger, WI 53086-0440
Phone: (262) 644-5234
Fax: (262) 644-5169
Email: mbw@mbw.com
Website: www.mbw.com

MBW Europe Ltd.

Units 2 & 3 Cochrane Street
Bolton BL3 6BN, England
Phone: +44 (0) 1204 387784
Fax: +44 (0) 1204 387797
Email: saleseurope@mbw.com
Website: www.mbweurope.com

L18702/ 02.21.AH
©MBW, Inc. 2015
Printed in the USA

CAUTION

Read the Operating Instructions before operating this piece of equipment.

Keep unauthorized and untrained people away from this equipment.

ROTATING & MOVING PARTS! Make sure all guards and safety devices are in place. Avoid breathing dust from operating machine, wear OSHA specified dust mask/respirator.

Wear approved hearing protection, foot protection, eye protection and head protection.

SHUT OFF the motor before servicing or cleaning.

DO NOT RUN in an enclosed area. The engine produces carbon monoxide, a **POISONOUS GAS**.

Failure to comply could result in serious bodily injury.

20019



ASPHALT WATER TANK

01066

CAUTION

Machine may fall and cause injury or damage if lifted improperly. Lift by handles or rollcage only.

GP2000=165 lbs (75 kg)	AP3550=254 lbs (115 kg)
AP2000=193 lbs (88 kg)	GP5800=300 lbs (136 kg)
GP3550=226 lbs (103kg)	

16402



WARNING

OPERATION OF THIS EQUIPMENT MAY CREATE SPARKS THAT CAN START FIRES AROUND DRY VEGETATION. A SPARK ARRESTER MAY BE REQUIRED. THE OPERATOR SHOULD CONTACT LOCAL FIRE AGENCIES FOR LAWS OR REGULATIONS RELATING TO FIRE PREVENTION.

19791

WARNING

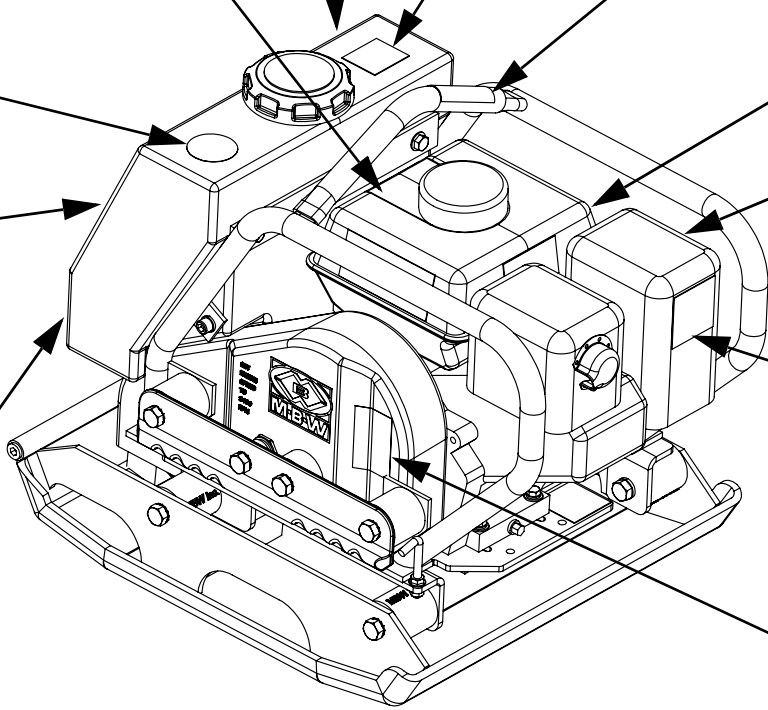
Operating, servicing and maintaining this equipment can expose you to chemicals, including engine exhaust, phthalates and lead, which are known to the state of California to cause cancer and birth defects or other reproductive harm. Avoid breathing engine exhaust. Do not operate equipment in confined areas. For more information go to www.P65Warnings.ca.gov.

21820

PLATES OPERATING INSTRUCTIONS

1. Check engine oil.
2. Open fuel valve.
3. Choke engine. A warm engine may not need to be choked.
4. Open throttle part way.
5. Pull starter rope.
6. After starting: open choke, return throttle to idle position.
7. During operation, when excessive kickback is noticed, maximum compaction has been reached.
8. To stop: Return throttle to idle position, use engine stop switch, close fuel valve.

13482



AP2000

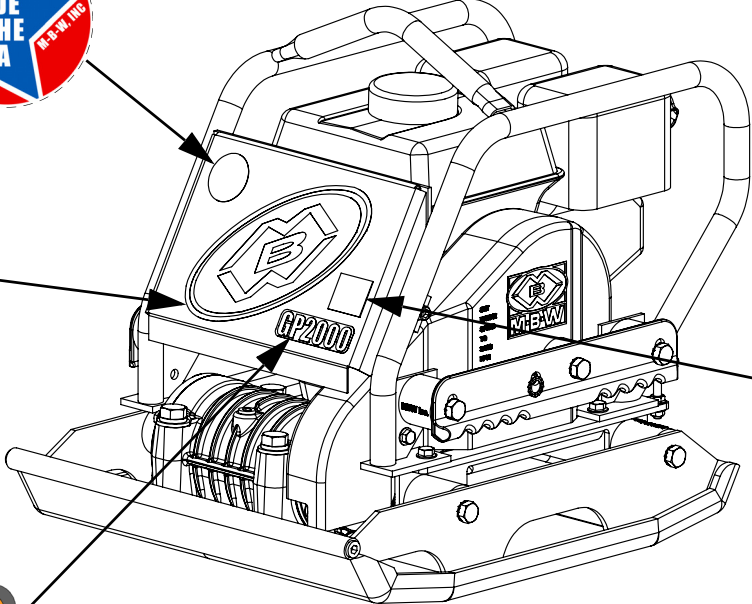
www.mbw.com

20526 - 2000
20527 - 3550

WARNING

ROTATING PARTS can crush and cut. Keep hands away!

12573

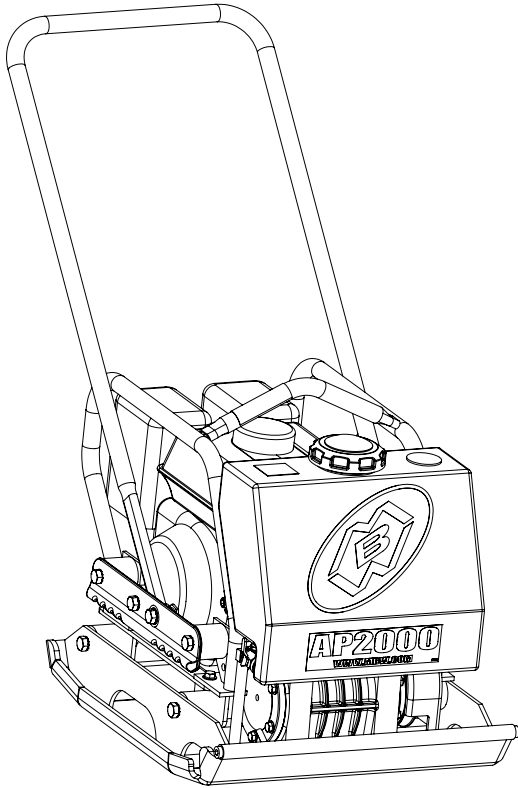


GP2000

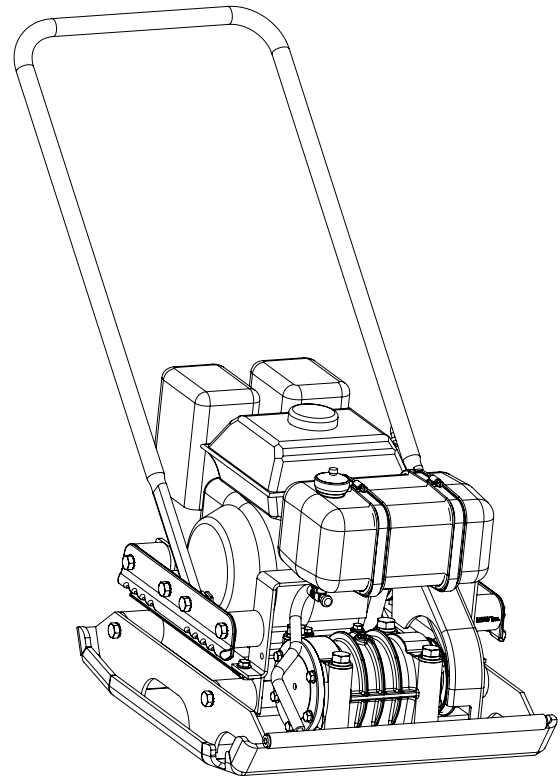
21059 - 2000
21060 - 3550

Safety Decals (Decal Set #12100)

SPECIFICATIONS



AP2000

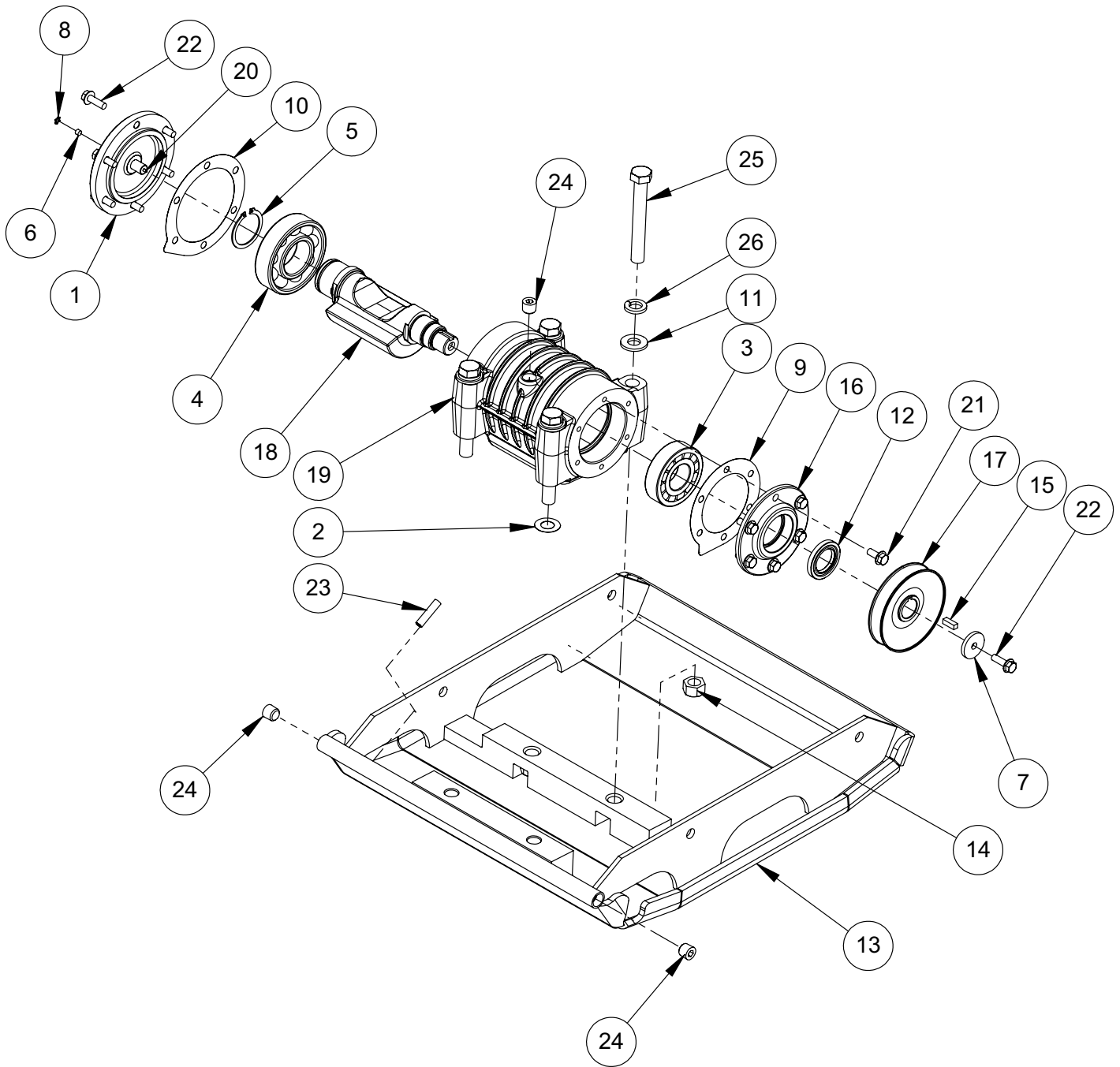


AP2018

	AP2000	GP2000	AP2018	GP2018
CENTRIFUGAL FORCE	2475 lbf (1123 kg)	3250 lbf (1474 kg)	2475 lbf (1123 kg)	3250 lbf (1474 kg)
EXCITER (VPM)	4400	5050	4400	5050
TRAVEL SPEED	90 ft/min(27 m/min)	120 ft/min(36 m/min)	90 ft/min(27 m/min)	120 ft/min(36 m/min)
COMPACTION DEPTH	12 in (30 cm)	14 in (36 cm)	12 in (30 cm)	14 in (36 cm)
WIDTH x LENGTH x HEIGHT	20 x 22 x 21 in (51 x 56 x 53 cm)	20 x 22 x 21 in (51 x 56 x 53 cm)	20 x 22 x 18 in (51 x 56 x 46 cm)	20 x 22 x 18 in (51 x 56 x 46 cm)
OPERATING WEIGHT (HONDA)	168 lbs (76 kg) no water 193 lbs (88 kg) full water	165 lbs (75 kg)	168 lbs (76 kg) no water 178 lbs (81 kg) full water	163 lbs (74 kg)
ENGINE SPEED	3400 (RPM)	3400 (RPM)	3400 (RPM)	3400 (RPM)
WATER TANK CAPACITY	3 gal (11.3 l)		1 gal (4)	
NOISE LEVEL	84 - 94 dBA	84 - 94 dBA	84 - 94 dBA	84 - 94 dBA
ENGINE OPTIONS	HONDA GX160 (163 cm) ³			

Specifications subject to change without notice.

- No universal method or formula has been accepted for determining "Compaction Force". All manufactures employ their own method or formula.



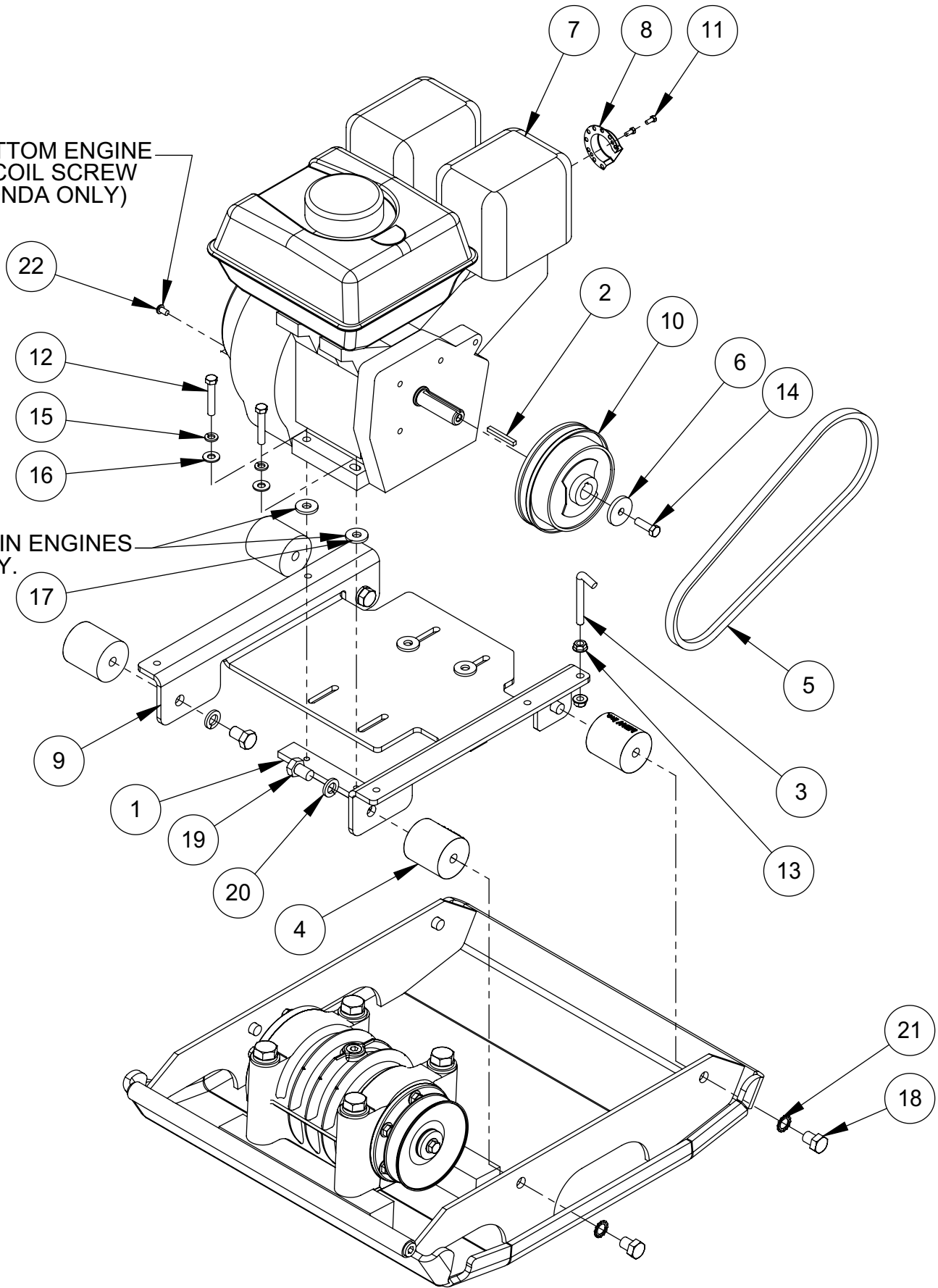
2000 & 2018 EXCITER ASSEMBLY

ITEM	PART NO.	DESCRIPTION	QTY
1.	00206	REAR COVER	1
2.	00259	SHIM, EXCITER (AS REQUIRED)	
3.	01004	CYLINDRICAL ROLLER BEARING	1
4.	01070	BALL BEARING	1
5.	01071	RETAINING RING, EXTERNAL	1
6.	01072	FILTER, FELT	1
7.	01099	WASHER	1
8.	01191	RETAINING RING, INTERNAL	1
9.	06096	GASKET	1
10.	06097	GASKET	1
11.	13451	WASHER, 5/8, A325, STRUCTURAL	4
12.	17179	OIL SEAL	1
	01002	OIL SEAL, SERIAL NO. 2064574 & LOWER	
13.	18697	BASEPLATE	1
14.	18701	HEX NUT, 5/8-11, GRADE 8	4
15.	19135	KEY, 1/4" SQ. X 3/4 SQUARE ENDS	1
	01283	KEY, 1/4" SQ. X 1-1/4 ROUND ENDS, SERIAL NO. 2064574 & LOWER	
16.	19628	FRONT COVER	1
	00005	FRONT COVER, SERIAL NO. 2064574 & LOWER	
17.	19629	PULLEY, 4-3/8 DIA x 1.0 I.D., AP2000 (ASPHALT VERSION)	1
	19630	PULLEY, 3-7/8 DIA x 1.0 I.D., GP2000 (SOIL VERSION & AP2000+)	1
	00003	PULLEY, 4-3/8 DIA x 1-1/8 I.D., AP2000 (ASPHALT PLATE) SER. NO. 2064574 & LOWER	
18.	00348	PULLEY, 3-7/8 DIA x 1-1/8 I.D., GP2000 (SOIL & 2000+ PLATE) SER. NO. 2064574 & LOWER	
	19835	EXCITER SHAFT	1
	00202	EXCITER SHAFT, SERIAL NO. 2064574 AND LOWER	
19.	20944	EXCITER HOUSING	1
20.	F0205SP	SPIROL PIN, 1/8 X 5/8 LG.	1
21.	F051806FWS	FLANGE LOCKING SCREW, 5/16-18 X 3/4 LG.	6
22.	F051808FWS	FLANGE LOCKING SCREW, 5/16-18 X 1 LG	7
23.	F0612SP	PIN, SPIROL	1
24.	F0618SPP	SOCKET PIPE PLUG, 3/8-18	3
25.	21099	HEX HEAD CAP SCREW, 5/8-11 x 4-3/4 LG, GRADE 8	4
	18696	HHCS, 5/8-11 X 5-3/4, GRADE 8,; SERIAL NO. 2070149/2180195 AND LOWER	4
26.	F10LW	LOCKWASHER, 5/8, ZP	4
		<u>SERVICE PARTS:</u>	
	00062	WASHER SEAL, PULLEY (NOT SHOWN) SERIAL NO. 2064574 AND LOWER	
		<u>REPLACEMENT KIT:</u>	
	19836	EXCITER ASSEMBLY (DOES NOT INCLUDE ITEMS 7, 15, 17 & 22)	
	18757	BOTTOM PLATE, AP/GP2000 (INCLUDES ITEMS: 2, 11, 14, 23 thru 26)	

ITEM	PART NO.	DESCRIPTION	QTY
1.	00001	EXCITER HOUSING	1
2.	00006	REAR COVER	1
3.	00066	RETAINER PLATE	1
4.	00259	SHIM EXCITER (AS REQUIRED)	
5.	01000	RETAINING RING, INTERNAL	1
6.	01001	RETAINING RING, EXTERNAL	1
7.	01004	CYLINDRICAL ROLLER BEARING	1
8.	01005	SPHERICAL ROLLER BEARING	1
9.	01072	FILTER, FELT	1
10.	01099	WASHER	1
11.	06096	GASKET	1
12.	06098	GASKET	1
13.	17179	OIL SEAL	1
	01002	OIL SEAL, SERIAL NO. 3551199 & LOWER	
14.	18577	BASE PLATE	1
15.	18700	HHCS, 5/8-11 X 6 GRADE 8	4
16.	18701	HEX NUT, 5/8-11, GRADE 8 ZP	4
17.	19135	KEY, 1/4" SQ. X 3/4 SQUARE ENDS	1
	01283	KEY, 1/4" SQ. X 1-1/4 ROUND ENDS, SERIAL NO. 3551199 & LOWER	
18.	19628	FRONT COVER	1
	00005	FRONT COVER, SERIAL NO. 3551199 & LOWER	
19.	19629	PULLEY, EXCITER 4-3/8 DIA x 1.0 I.D.	1
	00003	PULLEY, 4-3/8 DIA x 1-1/8 I.D., SERIAL NO. 3551199 & LOWER	
20.	19912	EXCITER SHAFT	1
	18692	EXCITER SHAFT, SERIAL NO. 3551199 & LOWER	
21.	F0205SP	SPIROL PIN, 1/8 X 5/8 LG.	1
22.	F051804HCS	HEX HEAD CAP SCREW, 5/16-18 X 1/2LG.	3
23.	F051806FWS	FLANGE LOCKING SCREW, 5/16-18 X 3/4 LG.	6
24.	F051808FWS	FLANGE LOCKING SCREW, 5/16-18 X 1 LG	7
25.	F05BFW	WASHER, BRASS, 5/16	1
26.	F0612SP	SPIROL PIN	1
27.	F0618SPP	SOCKET PIPE PLUG, 3/8-18	3
28.	F10LW	LOCKWASHER, 5/8	4
29.	F10PW	WASHER, 5/8	4
		SERVICE PARTS:	
	00062	WASHER SEAL, PULLEY (NOT SHOWN) SERIAL NO. 2064574 & LOWER	
		REPLACEMENT KIT	
	19913	EXCITER ASSEMBLY (COMPLETE)	
	18758	BOTTOM PLATE	

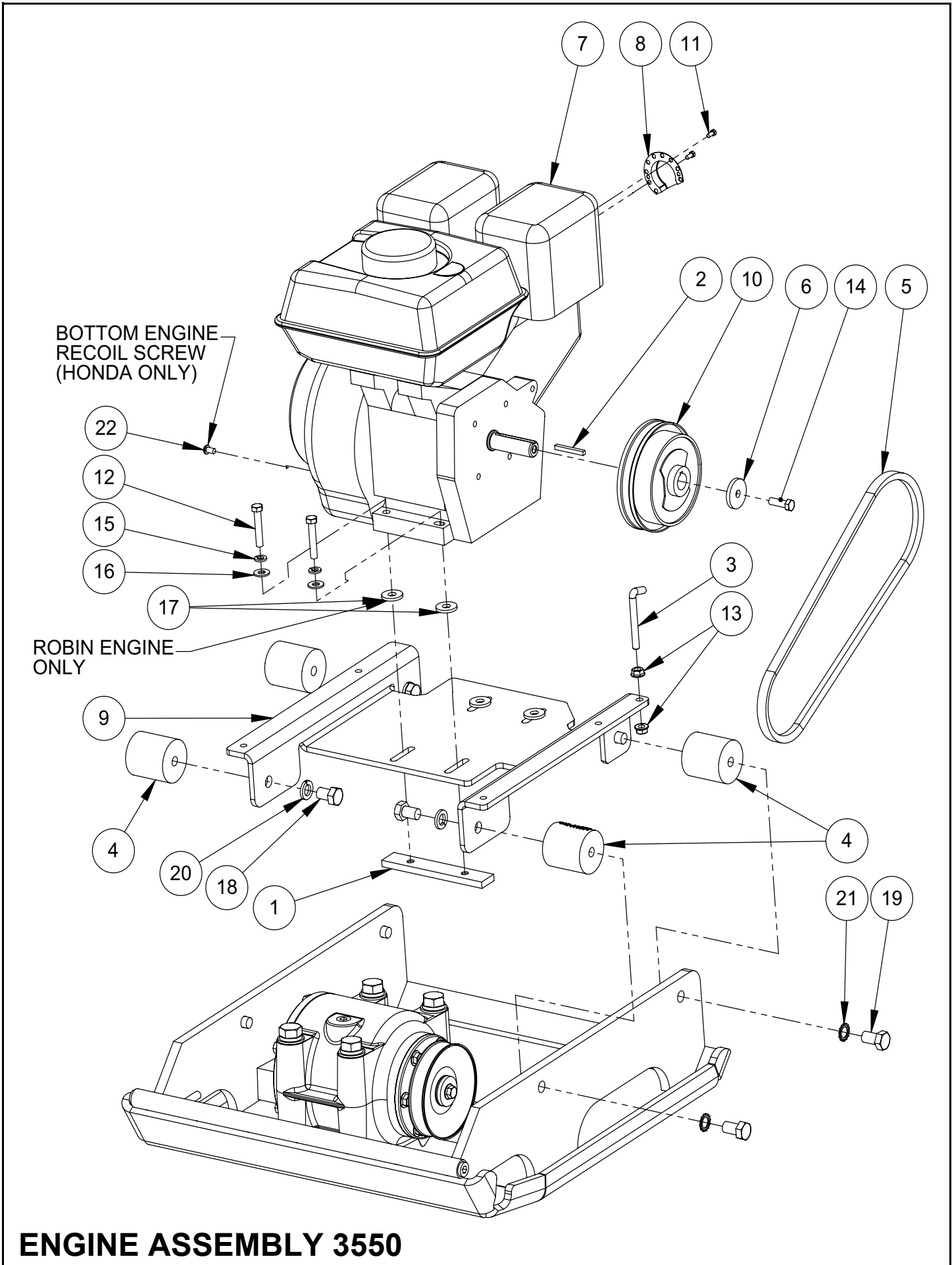
BOTTOM ENGINE
RECOIL SCREW
(HONDA ONLY)

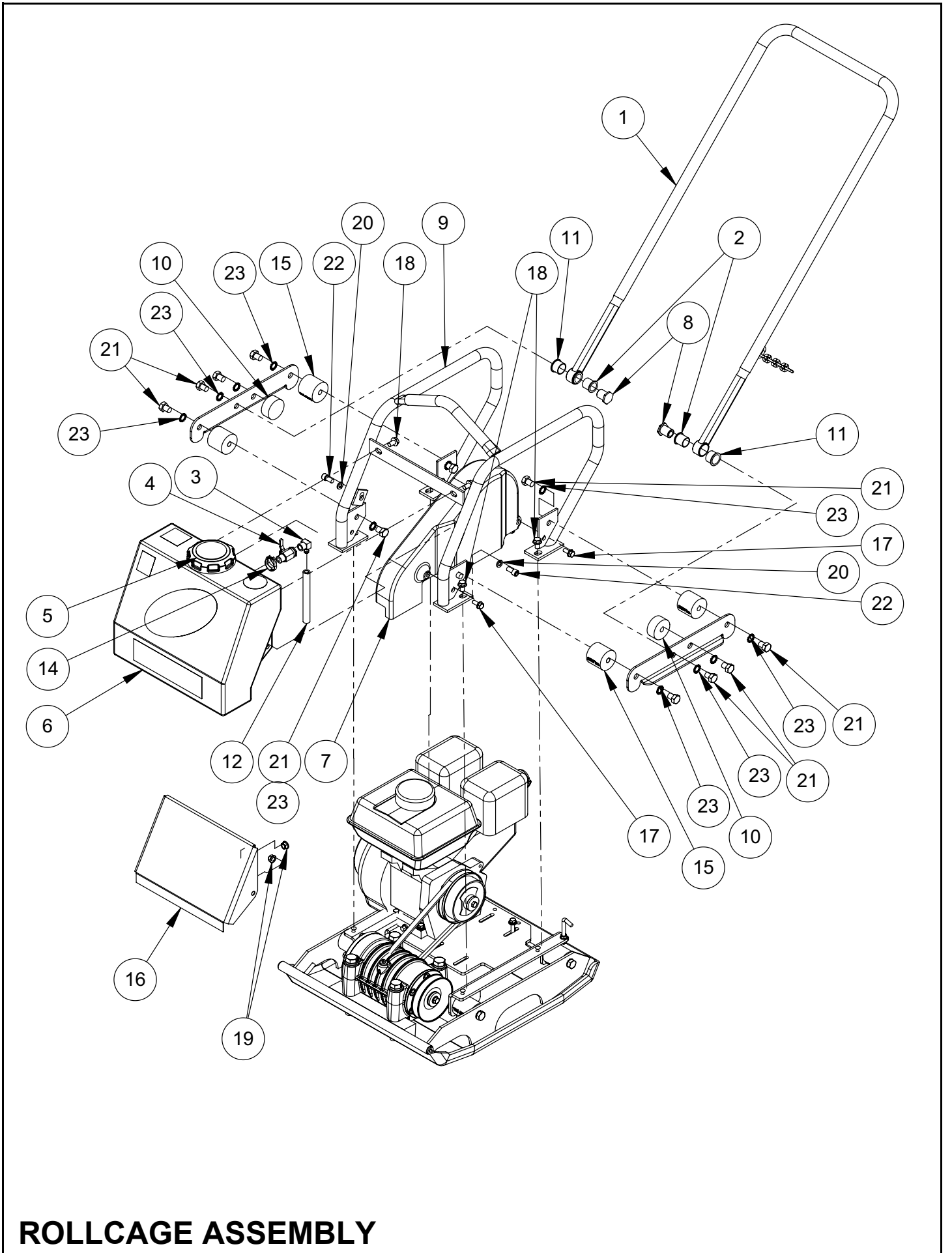
ROBIN ENGINES
ONLY.



ENGINE ASSEMBLY 2000/2018

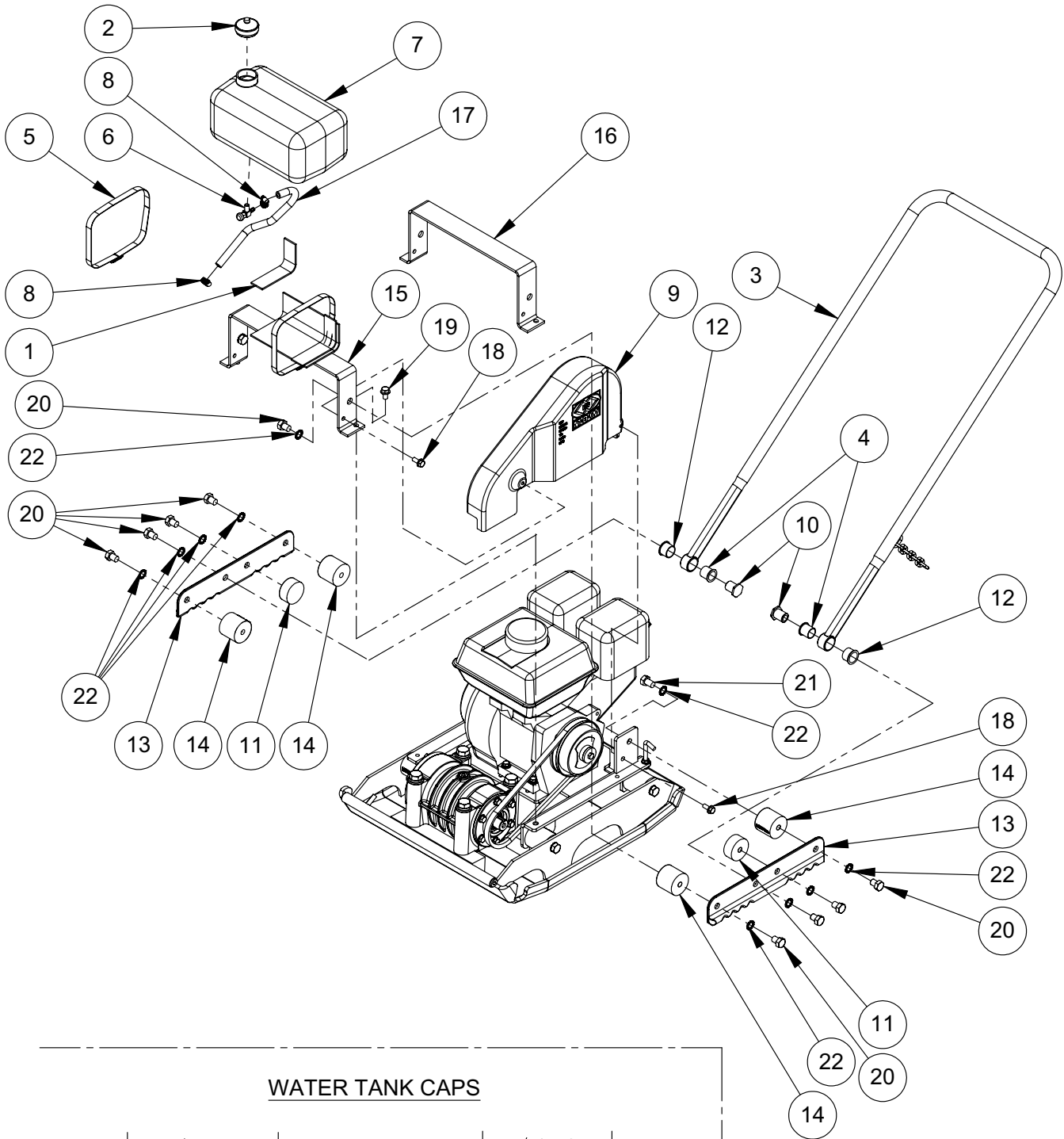
ITEM	PART NO.	DESCRIPTION	2000H	2018H
1.	00031	MOUNTING BAR, ENGINE	2	2
2.	00032	SHAFT KEY, 3/16" SQUARE x 1-5/8 LG.	1	1
3.	00048	HOOK BOLT, 5/16-18	1	1
4.	01011	SHOCK MOUNT	4	4
5.	01013	V-BELT A-30	1	1
6.	01099	WASHER	1	1
7.	01444	ENGINE HONDA, GX160	1	1
8.	07636	DEFLECTOR, EXHAUST, (HONDA)	1	1
9.	19531 19447	ENGINE DECK ENGINE DECK	1	1
10.	16105	CLUTCH, CENTRIFUGAL	1	1
11.	F0203HTB	SCREW, #8 x 3/8" LG. TYPE A, WASHER HEAD	2	2
12.	F051814HCS	HHCS, 5/16-18 x 1-3/4 LG. GRADE 5	4	4
13.	F0518FN	NUT, FLANGE WHIZ-LOCK, 5/16-18, ZP	2	2
14.	F052408HCS	HHCS, 5/16-24 X 1 LG. ZP	1	1
15.	F05LW	LOCKWASHER, 5/16, ZP	4	4
16.	F05SW	WASHER, 5/16, ZP	4	4
17.	F06SW	WASHER, 3/8, ZP	4	4
18.	F081305HCS	HHCS, 1/2-13 x 5/8 LG. GRADE 5, ZP	4	4
19.	F081306HCS	HHCS, 1/2-13 x 3/4 LG. GRADE 5, ZP	4	4
20.	F08LW	LOCKWASHER, 1/2, ZP	4	4
21.	M12ETLW	LOCKWASHER, M12, EXTERNAL TOOTH	4	4
22.	M06C010BCS	BUTTON HEAD SCREW, M6 x 10mm	1	1
	20185	<u>KITS:</u> SERVICE KIT, HONDA 2000 PLATE, INCLUDES:		
		(4) #01011 SHOCK MOUNT		
		(4) #17170 SHOCK MOUNT		
		(1) #01013 V-BELT		
		(1) #19951 1-QUART OIL, 10W30 OIL		
		(1) #20186 oz. BOTTLE EXCITER OIL		
		(1) #Q17210ZE1822 AIR CLEANER ELEMENT		
		(1) #Q9807956846 SPARK PLUG		



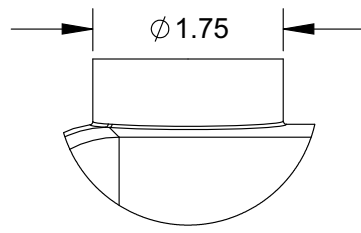


ROLLCAGE ASSEMBLY

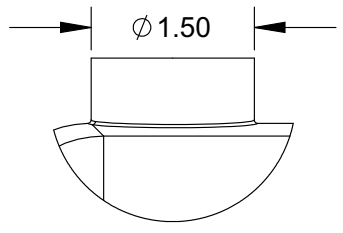
ITEM	PART NO.	DESCRIPTION	2000	3550
1.	00226	HANDLE, COATED (INCLUDES ITEMS 2 & 11)	1	1
2.	01019	HANDLE BUSHING, INNER	2	2
3.	12891	FITTING, 90 DEG. MALE, 3/8 NPT, BRASS	1	1
4.	13947	BALL VALVE, 3/8 NPT, BRASS	1	1
5.	14202	CAP, WATER TANK	1	1
6.	16706	KIT, WATER TANK, AP2000 (Includes Items: 3, 4, 5, 12 & 14)	1	
	18754	KIT, WATER TANK, AP3550 (Includes items: 3, 4, 5, 12 & 14)		1
7.	15765	BELT GUARD	1	
	18690	BELT GUARD		1
8.	15830	HANDLE ATTACHMENT NUT	2	2
9.	15941	ROLL CAGE, COATED	1	1
10.	16189	SHOCK MOUNT	2	2
11.	16191	HANDLE BUSHING, OUTER	2	2
12.	16201	HOSE, WATER TANK, 3/8 X 5.25 LG.	1	
	18583	HOSE, WATER TANK, 3/8 X 7.250 LG.		1
13.	21665	KIT, (2) LIFT HANDLE, COATED	1	1
14.	16365	CLAMP, WATER TANK	1	1
15.	17170	SHOCK MOUNT	4	4
16.	17722	COVER PLATE, GP2000	1	
	18722	COVER PLATE, GP3550		1
17.	F051806FWS	FWLS, 5/16-18 x 3/4 LG., ZP	2	2
18.	F061605FWS	FWLS, 3/8-16 x 5/8 LG., ZP	6	6
19.	F0616FN	FLANGE WHIZ-LOCK NUT, 3/8-16, ZP	4	4
20.	F06LW	LOCKWASHER, 3/8, ZP	2	2
21.	F081305HCS	HHCS, 1/2-13 x 5/8 LG., GRADE 5, ZP	16	16
22.	F061606SCSSS	SOCKET HEAD CAP SCREW, 3/8-16 x 3/4 LG., STAINLESS STEEL	2	2
23.	M12ETLW	LOCKWASHER, M12, EXTERNAL TOOTH	4	4
		<u>KITS:</u>		
	18714	KIT CONVERSION FROM SOIL TO ASPHALT (AP2000)	1	
	19254	KIT CONVERSION FROM SOIL TO ASPHALT (AP3550)		1
	21103	KIT, PAVER PAD, 2000	1	
	21104	KIT, PAVER PAD, 3550		1
	20856	2000 PLATE WHEEL KIT	1	



WATER TANK CAPS



USE TANK CAP #19495



USE TANK CAP #00196

2018 ASSEMBLY

