



LENNOX HEARTH PRODUCTS

HOMEOWNER'S CARE AND OPERATION INSTRUCTIONS

MAGNA-FIRE

43" Wood Burning Fireplace
P/N 875,004M REV. E 10/2006

MODELS

LS43ST

The information contained in this manual applies to all model fireplaces identified on this page. This information will help you obtain safe and dependable service from your fireplace system. Keep this document in a safe place for future reference.

Before you start your first fire, read this Care and Operations Manual carefully to be sure you understand your fireplace system completely. Failure to follow these suggestions could result in hazardous operation or fireplace malfunction, creating a serious potential for personal injury and/or property damage.

If you have any questions regarding the safe use or operation of your fireplace, contact your local distributor or your contractor/builder.

Most chimney systems will require onsite completion after placement of the manufactured home.

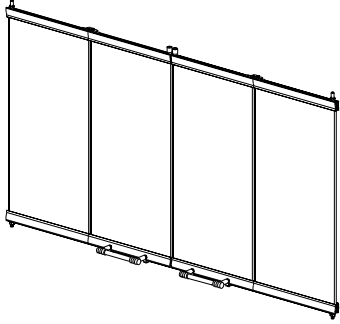
**RETAIN THESE INSTRUCTIONS
FOR FUTURE REFERENCE**



OMNI-Test Laboratories, Inc.

OTL Report No. 116-F-19-02

ACCESSORIES AND COMPONENTS

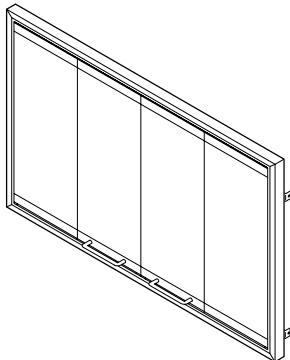


38/43LBF
38/43LBF-BB
38/43LBF-BS

Bi-Fold Doors

Bi-Fold Doors

Your fireplace can be fitted with beautiful bi-fold doors. Model LBF doors are available for use with these fireplace. Doors are easily fitted to the fireplace opening. Model LBF doors come with standard black finish. Model LBF-BB doors have a beautiful bright brass finish. Model LBF-BS doors have the striking look of brushed steel.



43LSBF
43LSBF-B

Symphony Doors

Symphony Doors

Your fireplace can be fitted with attractive Symphony doors. Symphony series Bi-Fold doors come standard with a decorator satin black finish and may be purchased in a polished brass finish designated by the -B suffix to the model/size number.

To ensure warranty and to prevent a potential fire hazard, do not use any other doors on these appliances.

ENJOY YOUR FIREPLACE

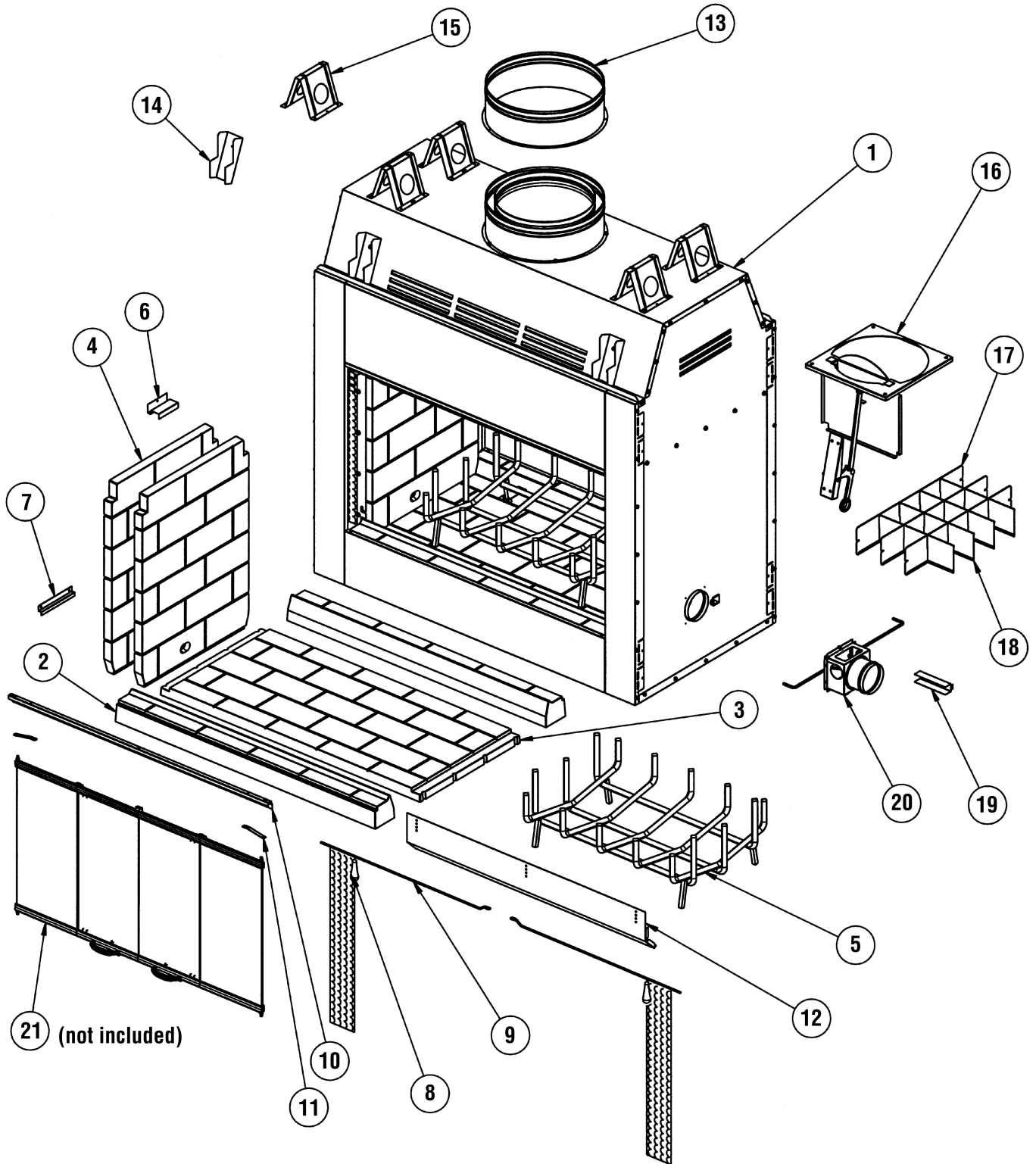
If you encounter any problems or have any questions regarding the installation or operation of your fireplace system, contact your distributor. For your nearest distributor contact:

LENNOX HEARTH PRODUCTS
1110 West Taft Avenue
Orange, CA 92865

REPLACEMENT PARTS LIST

No.	DESCRIPTION	Model LS43ST	
		Part No.	Qty.
1.	See-Through Fireplace Assembly	23M92	1
2.	Refractory, Ashlip	LB-96824	2
3.	Refractory, Hearth	LB-96826	1
4.	Refractory, Side	LB-96825	2
5.	Grate Assembly	LB-96813	1
6.	Refractory Retainer	LB-96819	2
7.	Standoff, Refractory	LB-96839	1
8.	Screen	161110	2
9.	Screen Rod	LB-97092	2
10.	Track, Door Guide	LB-98176	2
11.	Door Support Spring	LB-98109	4
12.	Lintel Extension	LB-96828	2
13.	Chimney Connector, Outer	LB-98307	1
14.	Bracket, Header	LB-96822	4
15.	Standoff	LB-98244	4
16.	Damper Assembly	LB-96832	1
17.	Lattice Crossmember	LB-96840	6
18.	Lattice Member	LB-96841	8
19.	Gas Line Conduit	LB-96833	4
20.	Air Kit	LB-96845	1
21.	Doors (not included)	REF.	-

REPLACEMENT PARTS



NOTE: DIAGRAMS & ILLUSTRATIONS NOT TO SCALE

The manufacturer reserves the right to make changes at any time, without notice, in design, materials, specifications, prices and also to discontinue colors, styles and products. Consult your local distributor for fireplace code information.