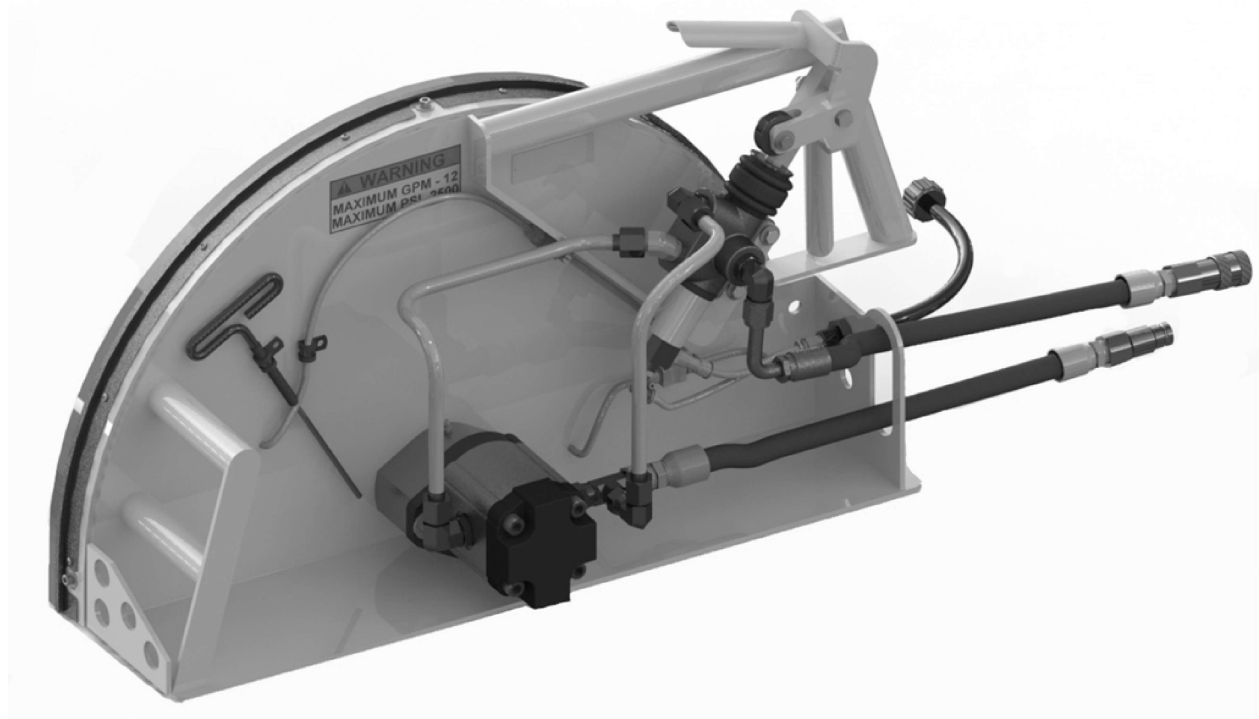


**DIAMOND  
PRODUCTS**

**PRO SERIES FLUSH CUT HYDRAULIC HAND SAW  
5800856 25.00"-1.29IN<sup>3</sup> (12GPM)**



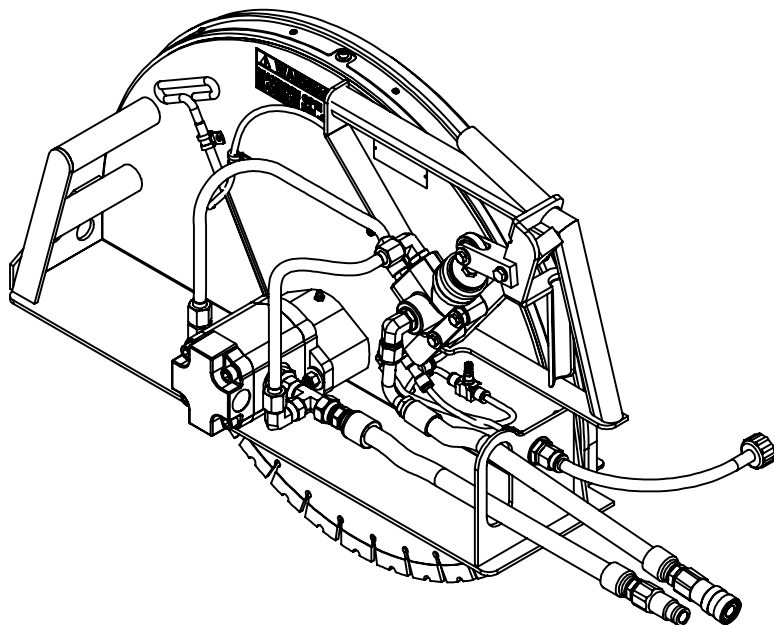
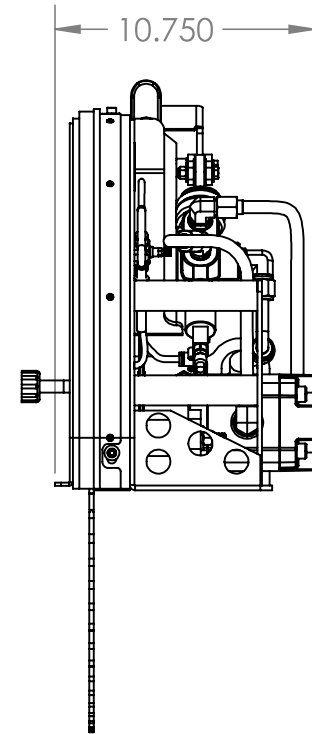
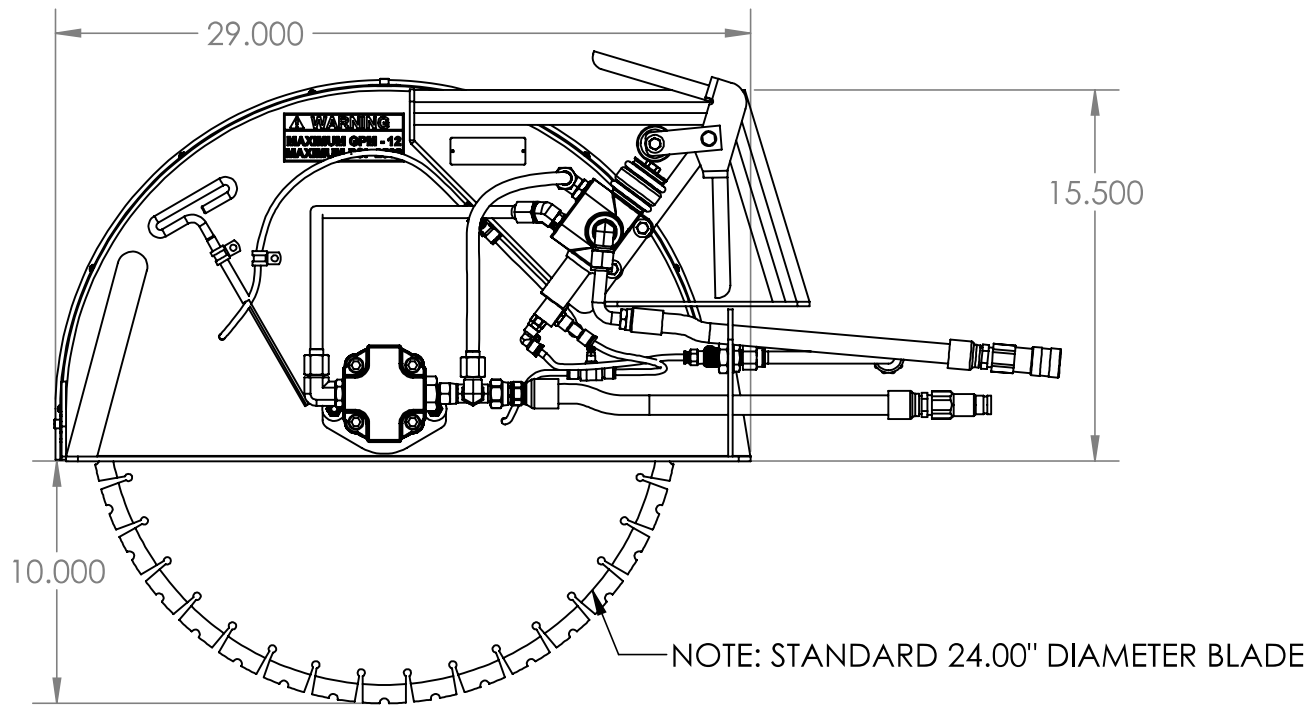
**PARTS MANUAL  
JULY 2014  
PART NUMBER 1803004**

# Table Of Contents

<b>Saw Dimensions.....</b>	<b>1</b>
<b>Blade Flange.....</b>	<b>2</b>
<b>General Safety.....</b>	<b>3</b>
<b>Hand Saw Operation.....</b>	<b>4</b>
<b>Saw Parts List.....</b>	<b>5-6</b>
<b>Bearing Block Assembly.....</b>	<b>7</b>
<b>Metro Valve Assembly.....</b>	<b>8</b>
<b>Trigger Assembly.....</b>	<b>9</b>
<b>Hydraulic Motor.....</b>	<b>10</b>
<b>Saw Maintenance &amp; Record.....</b>	<b>12</b>
<b>Warranty Info.....</b>	<b>13</b>

# Pro Series Flush Cut Hydraulic Hand Saw

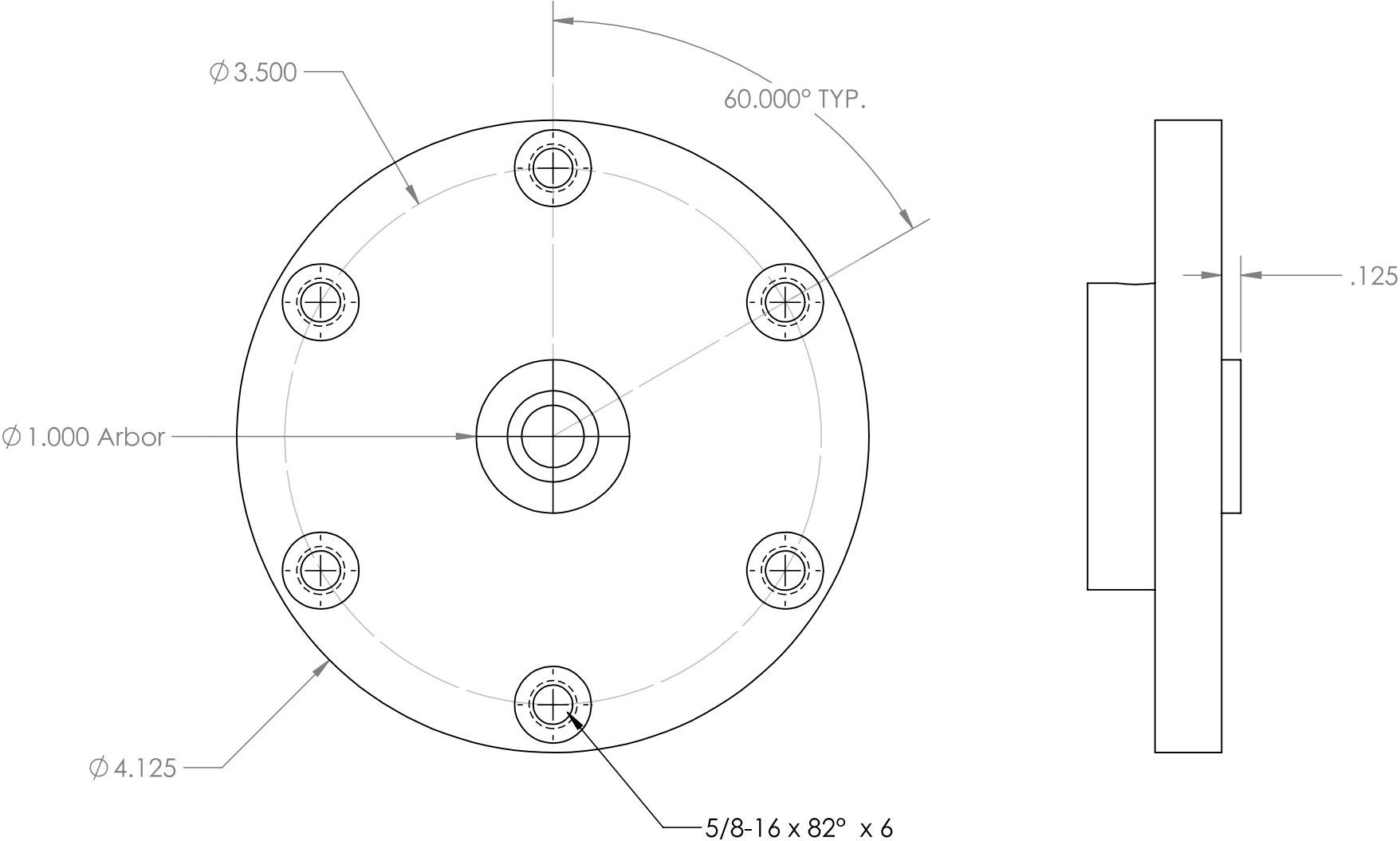
5800856 - 25.00" 1.29in<sup>3</sup> (12GPM Rated)



<b>HYDRAULIC RECOMMENDATION</b>	2500psi - 12 gpm
<b>BLADE RPM</b>	2150 rpm @ 12gpm
<b>HYDRAULIC CONNECTIONS</b>	Parker No Spill 1/2"
<b>MAXIMUM CUTTING DEPTH</b>	10.00"
<b>SAW WEIGHT</b>	46lbs, No Blade
<b>BLADE FLANGE</b>	Flush Cut, 6 on 3.50" 5/16-18 x 82° CS

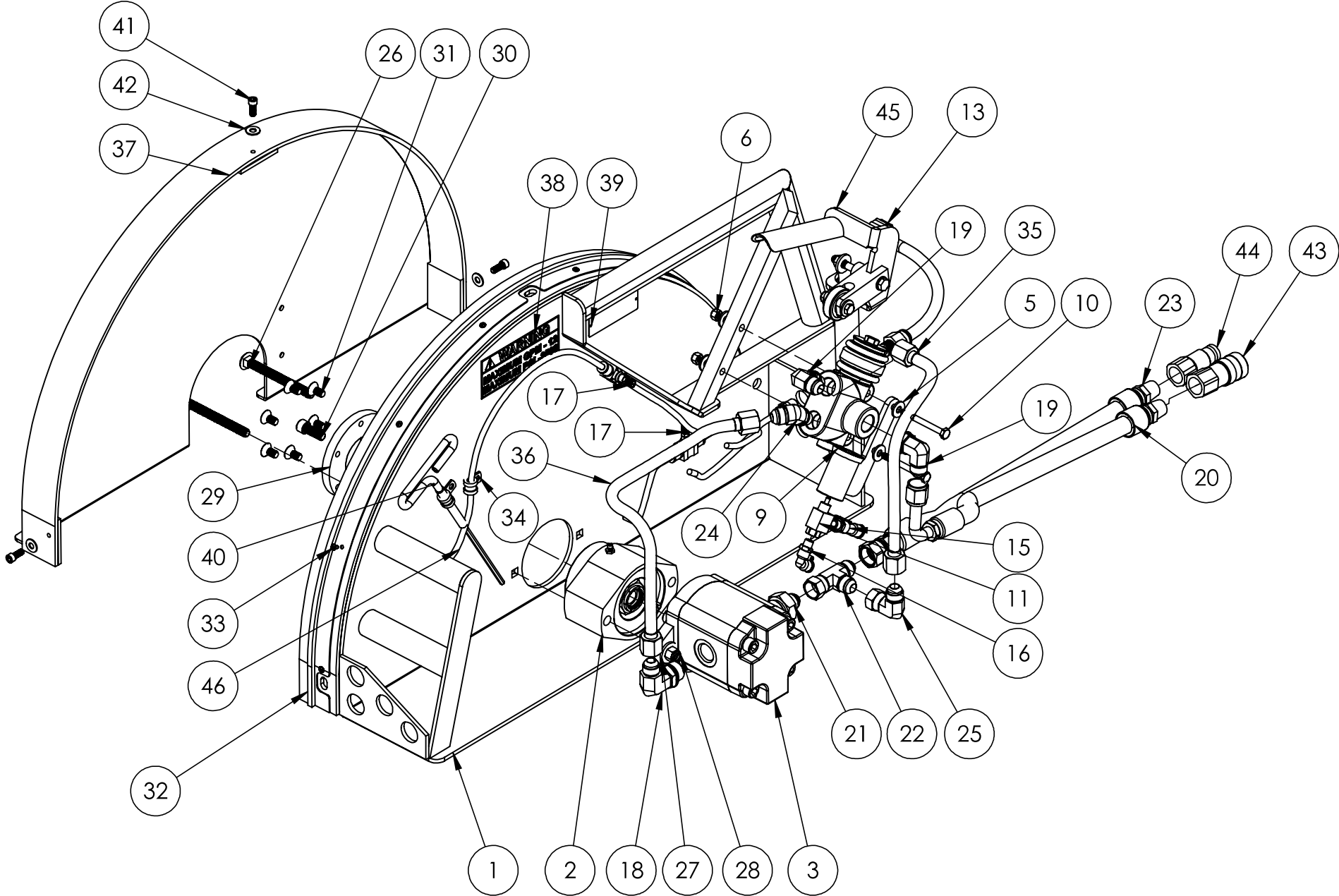
# **2502545 - Blade Flange**

**Flush Cut Hydraulic Hand Saws**



# Pro Series Flush Cut Hydraulic Hand Saw

5800856 - 25.00" 1.29in<sup>3</sup> (12GPM Rated)



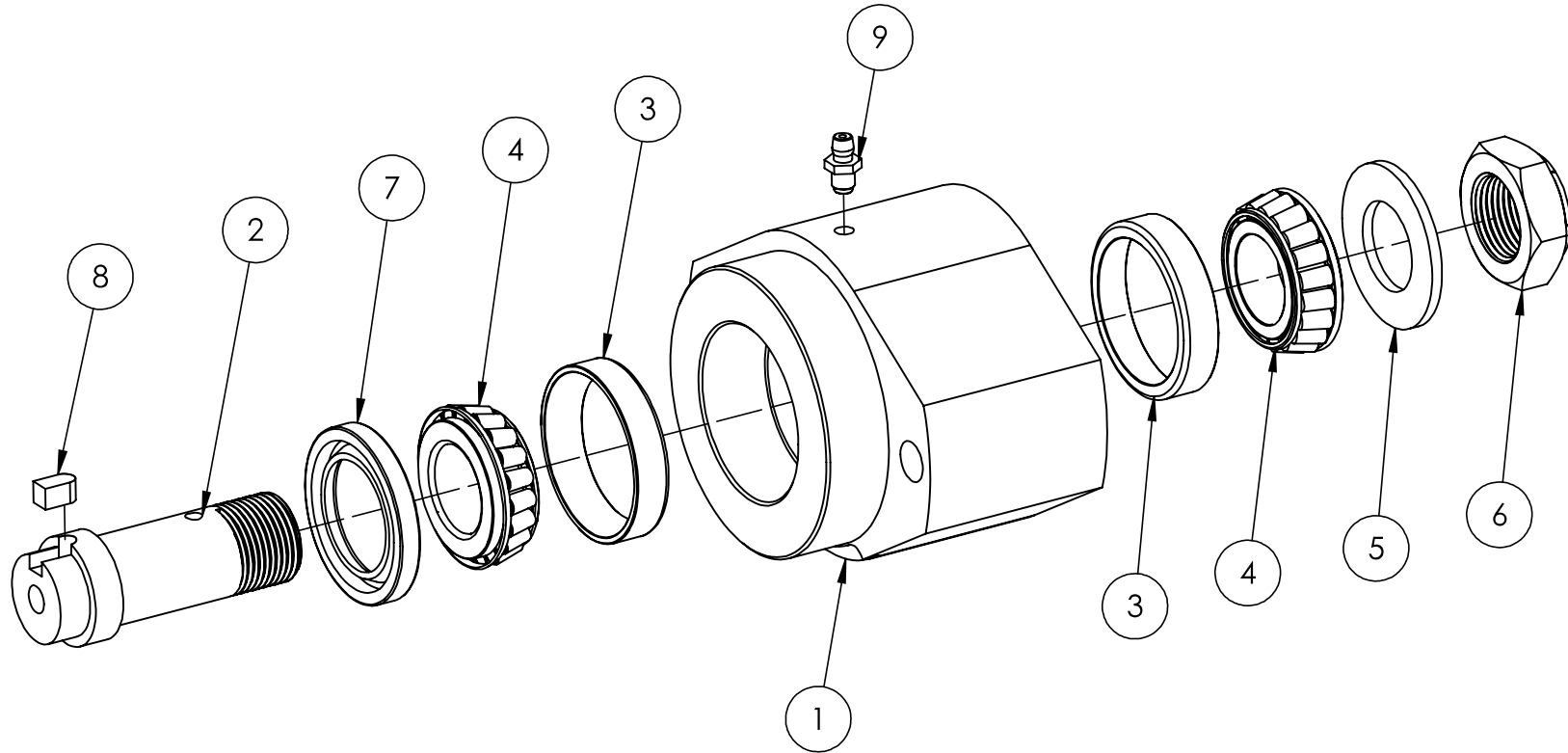
# Pro Series Flush Cut Hydraulic Hand Saw

**5800856 - 25.00" 1.29in<sup>3</sup> (12GPM Rated)**

ITEM NO.	PART NUMBER	DESCRIPTION	QTY.
1	6075087	25.00" Flush Cut Hand Saw	1
2	6040437	Bearing Block, Flush Cut	1
3	2600458	Hydraulic Motor, 1.29 C.I./12GPM w/Anti-Cav	1
4	2503336	Key, 5/32" Sq. x 5/8"	1
5	2900126	1/4" USS Flat Washer	4
6	2900010	1/4-20 Nylon-Insert Hex Locknut	2
7	6070252	HS Metro Valve Assembly	1
8	6075084	Hand Saw Valve Cap	1
9	2505906	U-Cup Seal, 1.00 ID x 1.50 OD	1
10	2901001	1/4-20 x 2.50" Hex Head Cap Screw	2
11	2506345	3 Way Poppet Valve	1
12	3205539	1/4" NPT Bulkhead Coupler	1
13	3201875	Hose Assy, 3/8" x 12, 3/4" F.Garden x 1/4"MPT	1
14	2506349	Push Lock Fitting, 1/4 NPT x 1/4 OD	1
15	2506346	Push Lock Fitting, Run Tee 1/8 NPT x 1/4 OD	1
16	2506348	Push Quick Fitting, Male Elbow 1/8NPT x .250 OD	1
17	2506347	Push Quick Fitting, 1/4 OD Flow Control	2
18	3200803	Elbow Fitting, 1/2" MJIC x 5/8" MORB	1
19	2502924	Elbow Fitting, 1/2" MORB x 1/2" MJIC 90 Deg.	2
20	6075097	Hand Saw Pressure Whip Hose, 24.00"	1
21	2502920	Adaptor, #12 O-Ring x 1/2 MJIC	1
22	3200332	Swivel Run Tee, 08-MJIC x 08-MJIC x 08-FJIC	1
23	6075098	HS Return Hose, 24"	1
24	3200367	08-ORING x 08-MJIC 45°	1
25	3200802	Elbow Fitting, 1/2" MJIC x 1/2" FJIC 90 Deg.	1
26	2903040	3/8-16 x 4.00 Carriage Bolt	2
27	2903018	3/8" Flat Washer	2
28	2900018	Lock Nut, 3/8-16 Nylon	2
29	2502545	Flush Cut Hub	1
30	2900175	3/8-16 x 1.00" SHCS	1
31	2903013	5/16-18 Flat Socket Head Cap Screw	6
32	6075094	25.00" Hand Saw Sweep	1
33	2907006	6-32 x .250" PHPMS-SS	8
34	2502914	1/4" Cable/Hose Loop Clamp	2
35	6075095	Hydraulic Tube, HSFC 25" Rear	1
36	6075096	Hydraulic Tube, HSFC 25" Front	1
37	6075090	25.00" Flush Cut Hand Saw Cover	1
38	1800864	Warning Label, 12GPM 2500 PSI	1
39	1800169	Serial Number Plate, US	1
40	2900750	T-HANDLE HEX KEY 3/16	1
41	2907005	1/4-20 x 5/8 SHCS	3
42	2900009	1/4 SAE Flat Washer	3
43	3200104	Coupler, 1/2" Q.D.	1
44	3200105	Nipple, 1/2" Q.D.	1
45	2505905	Dual Trigger Assembly, Hydraulic Hand Saws	1
46	1104098	1/4" OD Flexible Tubing (Sold Per Inch)	54

# Bearing Block Assembly

## 6040437 - Assembled Flush Cut Bearing Block



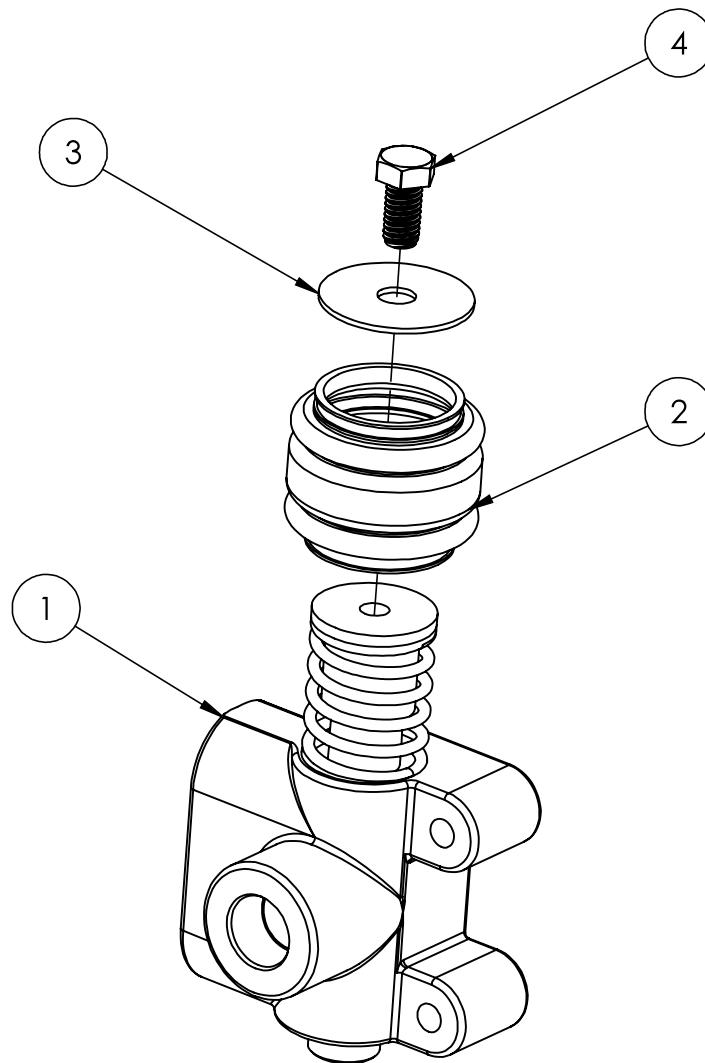
NOTE: WHEN REPAIRING/REBUILDING BEARING BLOCK, LOCK NUT (2902961) MUST BE TORQUED TO 50LB-FT. ROTATE SHAFT BY HAND TO ENSURE NO END PLAY IN SHAFT, SHAFT SHOULD NOT BE OVERTIGHTENED.

WHEN REPAIRING/REBUILDING BEARING BLOCK, GREASE ADEQUATELY USING NLGI No.2 GREASE. BEARING BLOCK GREASE CAPACITY IS 1.5oz.

ITEM NO.	PART NUMBER	Description	QTY.
1	2505077	Aluminum Housing, FC HS	1
2	2702945	Flush Cut Shaft	1
3	2501629	Bearing Race L44610	2
4	2501628	Bearing L44643	2
5	2502934	Spindle Washer 1"	1
6	2902961	Expanding Hex Locknut RH	1
7	2501494	Seal, 1-1/4" x 1.979" x 1/4"	1
8	6075059	Key, 1/4" Sq X 15/32"	1
9	2900706	Grease Zerk, 1/4-28 Straight	1

# Metro Valve Assembly

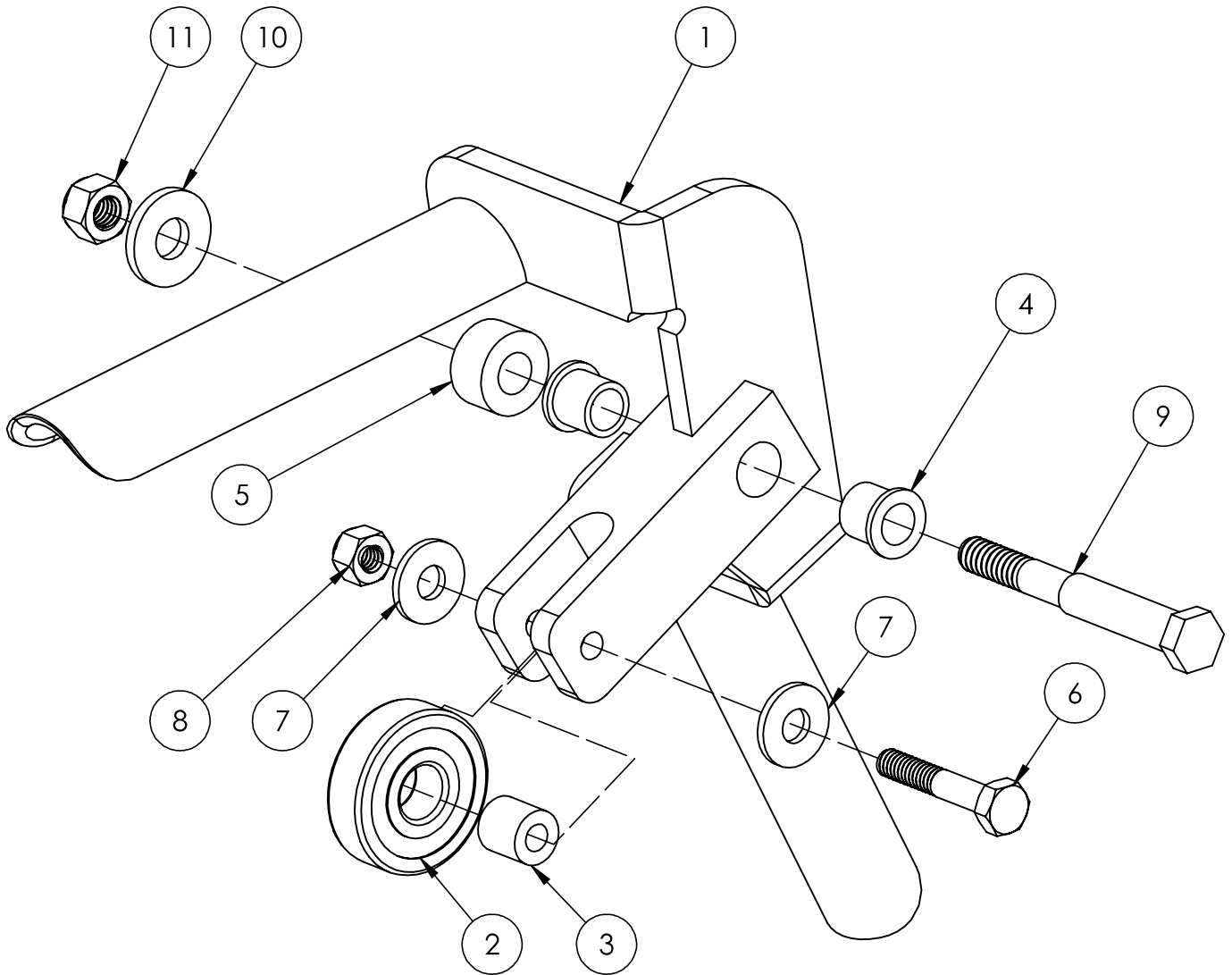
## 6070252 - Valve Assembly



ITEM NO.	PART NUMBER	DESCRIPTION	QTY.
1	2702688	Metro Flow Valve	1
2	2507033	Bellow, Hand Saw	1
3	2907070	Washer, 3/8" x 1-5/8"	1
4	2900196	3/8-16x.750 HEX CAP SCREW	1

# Dual Trigger Assembly

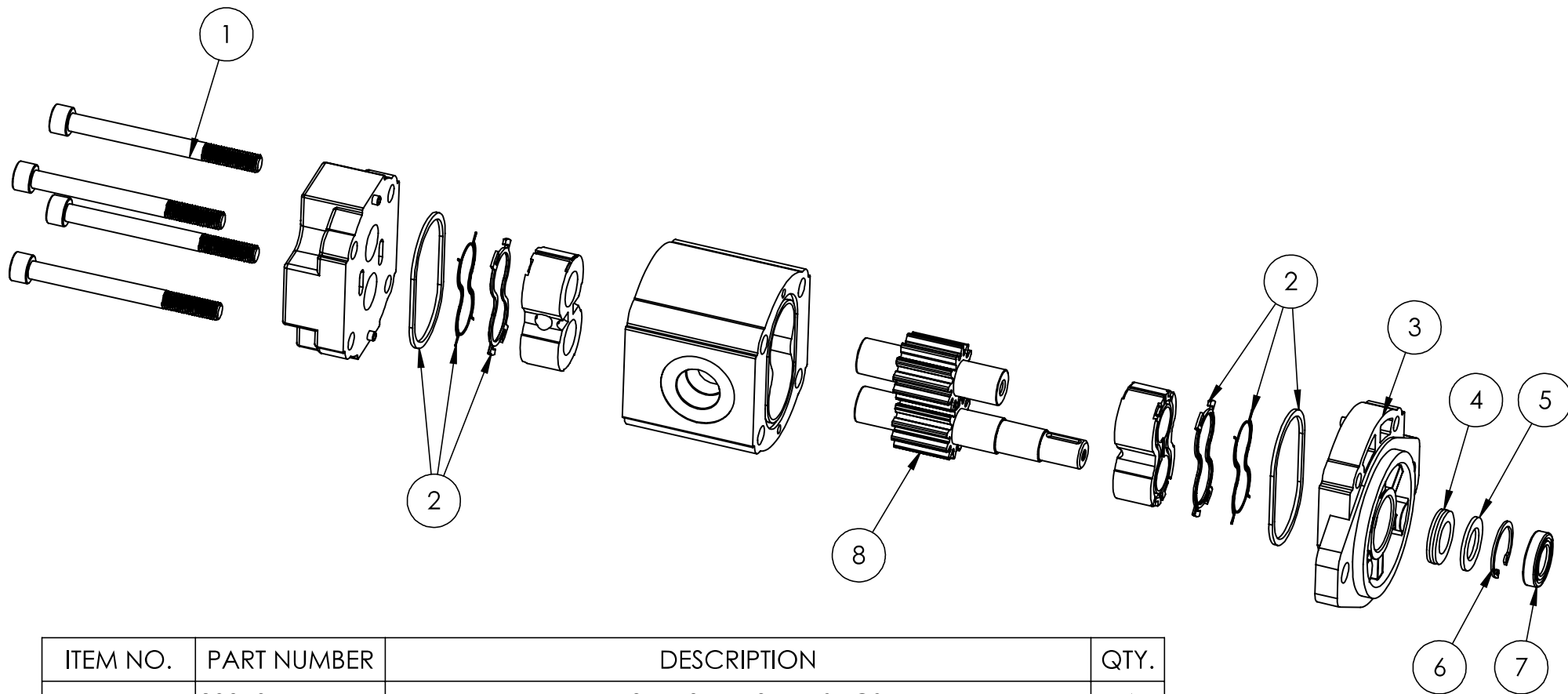
2505905 - For Use on Hydraulic Hand Saws



ITEM NO.	PART NUMBER	DESCRIPTION	QTY.
1	6075083	HS Dual Trigger Weldment	1
2	2502897	Bearing	1
3	2502576	1/4" x 1/2" Sleeve Bushing	1
4	2501583	Bearing, 3/8" ID Flanged Bronze	2
5	2501515	Bushing UHMW	1
6	2900048	1/4-20 x 1.50" HHCS (Grade 5)	1
7	2900126	1/4" USS Flat Washer	2
8	2900010	1/4-20 Nylon-Insert Hex Locknut	1
9	2506344	Hand Saw Pivot Bolt	1
10	2900567	5/16" Flat Washer	1
11	2900039	5/16"-18 Nylock Hex Nut	1

# Casappa Hydraulic Motor

2600458 - 1.29 C.I. w/Anit-Cav



ITEM NO.	PART NUMBER	DESCRIPTION	QTY.
1	2901971	M10-1.50 x 110MM SHCS	4
2	2502933	Hydraulic Motor Seal Kit, Bi-Rotational PLM 20.03-20.31	1
3	3205792	Casappa Motor Front Cover	1
4	2501630	Hydraulic Motor Seal	1
5	2502563	Backing Ring	1
6	2707005	Seal Snap Ring	1
7	2507139	Wiper Seal	1
8	2703432	5/8" Shaft, 1.29.CI Hydraulic Motor W/1/4-20 Tapped End	1