

# OPERATION AND PARTS MANUAL

# STOW

A DIVISION OF MULTIQUIP INC.

## **MODEL G-4.5R**

### **PORTABLE AC GENERATOR**

**(GASOLINE ENGINE)**

**S/N 5498030 AND BELOW**  
**S/N 5498031 AND ABOVE**

Revision #3 (03/13/06)

**THIS MANUAL MUST ACCOMPANY  
THE EQUIPMENT AT ALL TIMES.**

## STOW G-4.5R — AC Portable Generator

Here's How To Get Help .....	3
Table Of Contents .....	4
Parts Ordering Procedures .....	5
Dimensions .....	6
Specifications .....	7
Safety Alert Message Symbols .....	8-9
Rules for Safe Operation .....	10-12
Operation and Safety Decals (S/N 5498030 & Below) .....	14
Operation and Safety Decals (S/N 5498031 & Above) .....	15
General Information .....	16
Load Application .....	17
Controls and Indicators .....	18-21
Generator Refueling .....	22
Installation .....	23-24
Pre-Inspection .....	25
Pre-Inspection (Engine) .....	26
Initial Start-up (Engine) .....	27
Initial Start-up (Engine/Operation) .....	28-29
Preparation For Long Term Storage .....	30
Maintenance .....	32-33
Wiring Diagram (S/N S/N 5498030 & Below) .....	34
Wiring Diagram (S/N 5498031 & Above) .....	35
Troubleshooting (Engine) .....	36-37
Troubleshooting (Generator) .....	38
Explanation Of Codes In Remarks Column .....	40
Suggested Spare Parts .....	41

## Generator Component Drawings

Nameplate and Decals (S/N 5498030 & Below) .....	42-43
Nameplate and Decals (S/N 5498031 & Above) .....	44-45
Generator Assembly .....	46-47
Control Box Assembly (S/N 5498030 & Below) .....	48-49
Control Box Assembly (S/N 5498031 & Above) .....	50-51
Pipe Frame Assembly (S/N 5498030 & Below) .....	52-53
Pipe Frame Assembly (S/N 5498031 & Above) .....	54-55

## ROBIN EX270D20110 Engine (EPA)

Crankcase Assembly .....	56-57
Crankshaft, Piston Assembly .....	58-59
Governor Assembly .....	60-61
Intake and Exhaust Assembly .....	62-63
Air Cleaner Assembly .....	64-65
Cooling Starting Assembly .....	66-67
Fuel Lubricant Assembly .....	68-69
Flywheel Assembly .....	70-71
Electric Device Assembly .....	72-73
Terms and Conditions Of Sale — Parts .....	74

# OPERATION AND SAFETY DECALS (S/N 5498030 AND BELOW)

## Machine Safety Decals

The G-4.5R portable generator is equipped with a number of safety decals (Figures 2A and 2B). These decals are provided for operator safety and maintenance information. The illustration below shows these decals as they appear on the machine. Should any of these decals become unreadable, replacements can be obtained from your dealer.

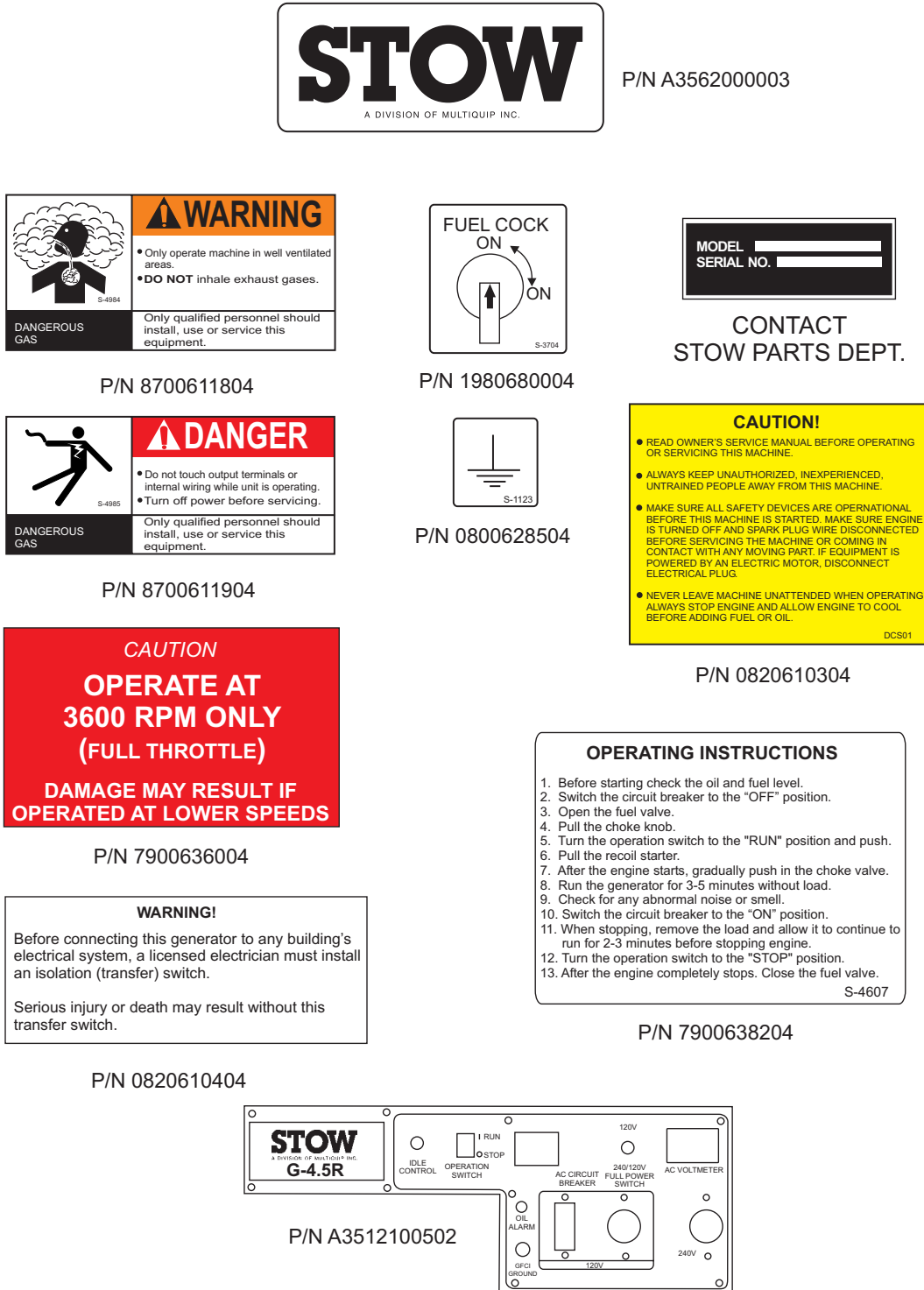


Figure 2A. Operation and Safety Decals (S/N 5498030 and Below)

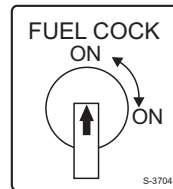
# OPERATION AND SAFETY DECALS (S/N 5498031 AND ABOVE)



P/N A4561000203



P/N 8700611804



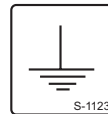
P/N 1980680004



CONTACT  
STOW PARTS DEPT.



P/N 8700611904



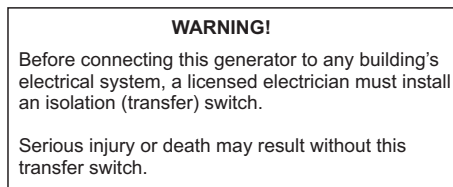
P/N 0800628504



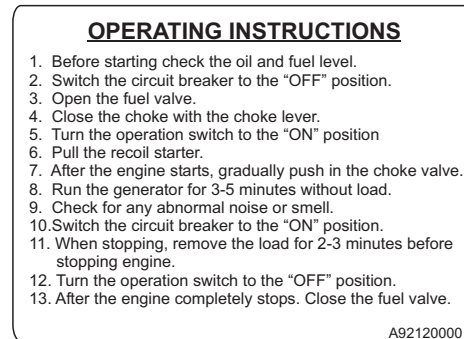
P/N 35137



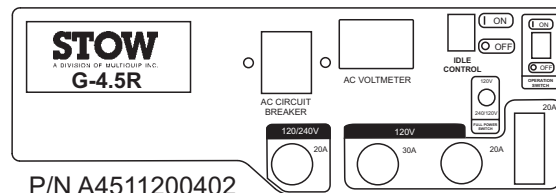
P/N 7900636004



P/N 0820610404



P/N A92120000



P/N A4511200402

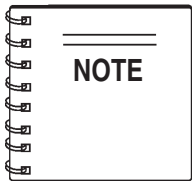
Figure 2B. Operation and Safety Decals (S/N 5498031 and Above)

# STOW G-4.5R — SUGGESTED SPARE PARTS

## G-4.5R 1 TO 3 UNITS WITH ROBIN EX270D20110 ENGINE

### *1 to 3 Units*

Qty.	P/N	Description
1	0810106004	CAP, FUEL TANK, S/N 5498030 AND BELOW
1	A9924800014	CAP, FUEL TANK, S/N 5498031 AND ABOVE
1	0810107103	FUEL FILTER, TANK, S/N 5498030 AND BELOW
1	A9924800004	FUEL FILTER, FUEL TANK, S/N 5498031 AND ABOVE
3	0650140150	SPARK PLUG
3	2793260907	ELEMENT, AIR CLEANER
1	2795011008	ROPE, RECOIL STARTER



Part numbers on this  
Suggested Spare Parts  
List may supercede/  
replace the P/N shown in  
the text pages of this  
book.



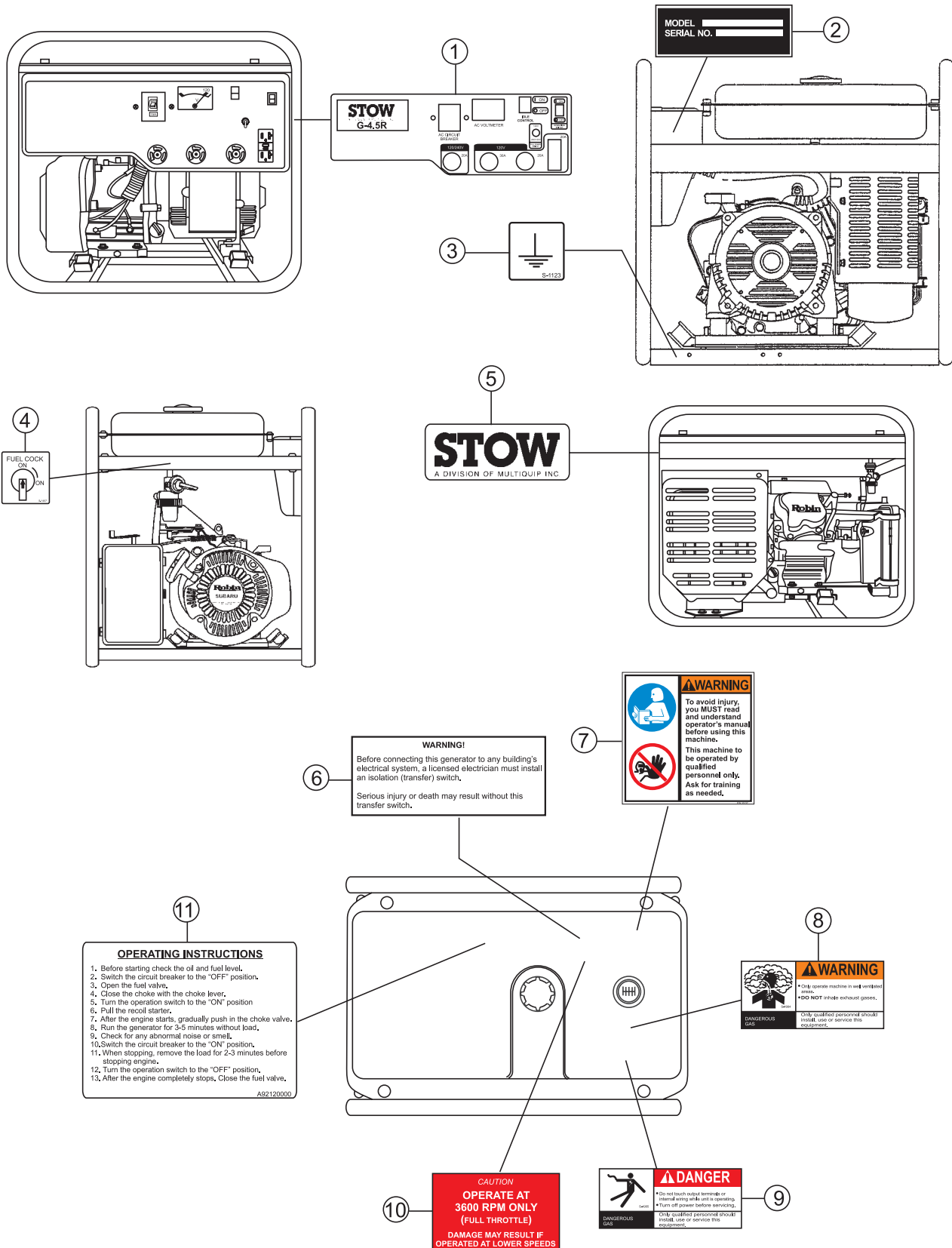
# STOW G-4.5R — NAME PLATE AND DECALS (S/N 5498030 AND BELOW)

## NAMEPLATE AND DECALS (S/N 5498030 AND BELOW)

<u>NO.</u>	<u>PART NO.</u>	<u>PART NAME</u>	<u>QTY.</u>	<u>REMARKS</u>
1	A3512100502	DECAL; CONTROL PANEL .....	1 .....	A21220080
2	1630680104	DECAL; FUEL COCK .....	1 .....	S-1407
3		NAMEPLATE .....	1 .....	CONTACT STOW PARTS DEPT.
4	0800628504	DECAL; GROUND .....	1 .....	S-1123
5	8700611804	DECAL; WARNING DANGEROUS GAS .....	1 .....	S-4984
6	8700611904	DECAL; DANGER ELECTRICAL SHOCK HAZ. ....	1 .....	S-4985
7	7900638204	DECAL; OPERATING INSTRUCTIONS .....	1 .....	S-4607
8	7900636004	DECAL; CAUTION OPER. AT 3600 RPM ONLY ....	1 .....	S-4461
9	0820610404	DECAL; WARNING .....	1 .....	S-3627
10	0820610304	DECAL; CAUTION .....	1 .....	3311
11	A3562000003	DECAL; STOW .....	1 .....	A36200000

# STOW G-4.5R — NAME PLATE AND DECALS (S/N 5498030 AND ABOVE)

## NAMEPLATE AND DECALS (S/N 5498031 AND ABOVE)



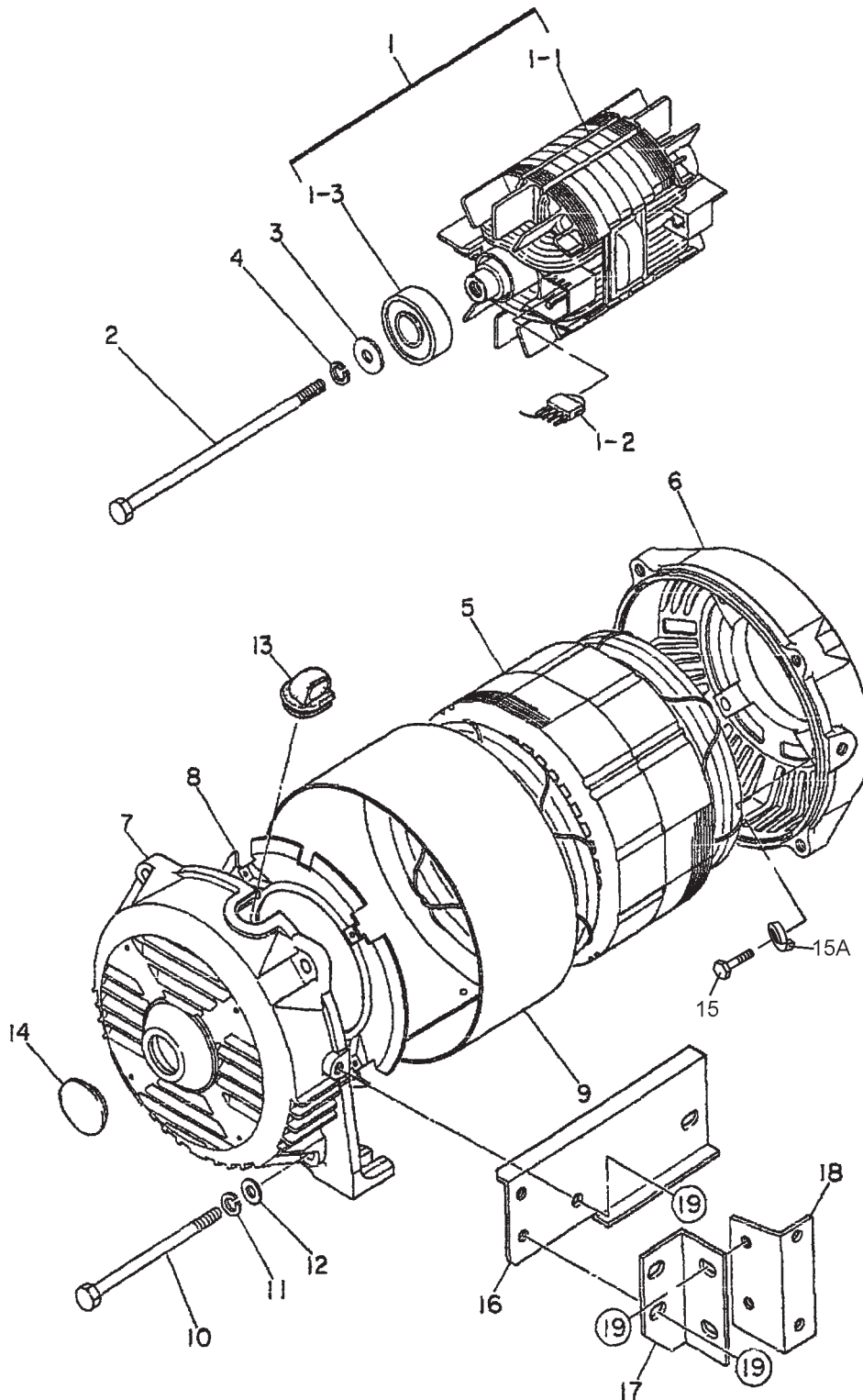
## STOW G-4.5R — NAME PLATE AND DECALS (S/N 5498030 AND ABOVE)

### NAMEPLATE AND DECALS (S/N 5498031 AND ABOVE)

<u>NO.</u>	<u>PART NO.</u>	<u>PART NAME</u>	<u>QTY.</u>	<u>REMARKS</u>
1	A4511200402	DECAL; CONTROL PANEL .....	1 .....	A41120040
2		NAMEPLATE .....	1 .....	CONTACT STOW PARTS DEPT.
3	0800628504	DECAL; GROUND .....	1 .....	S-1123
4	1630680104	DECAL; FUEL COCK .....	1 .....	S-1407
5	A4561000203	DECAL; STOW	1	
6	0820610404	DECAL; WARNING .....	1 .....	S-3627
7	35137	DECAL; WARNING READ MANUAL	1	
8	8700611804	DECAL; WARNING DANGEROUS GAS .....	1 .....	S-4984
9	8700611904	DECAL; DANGER ELECTRICAL SHOCK HAZ. ....	1 .....	S-4985
10	7900636004	DECAL; CAUTION OPER. AT 3600 RPM ONLY ....	1 .....	S-4461
11	A92120000	DECAL; OPERATING INSTRUCTIONS	1	

# STOW G-4.5R — GENERATOR ASSY.

GENERATOR ASSY.



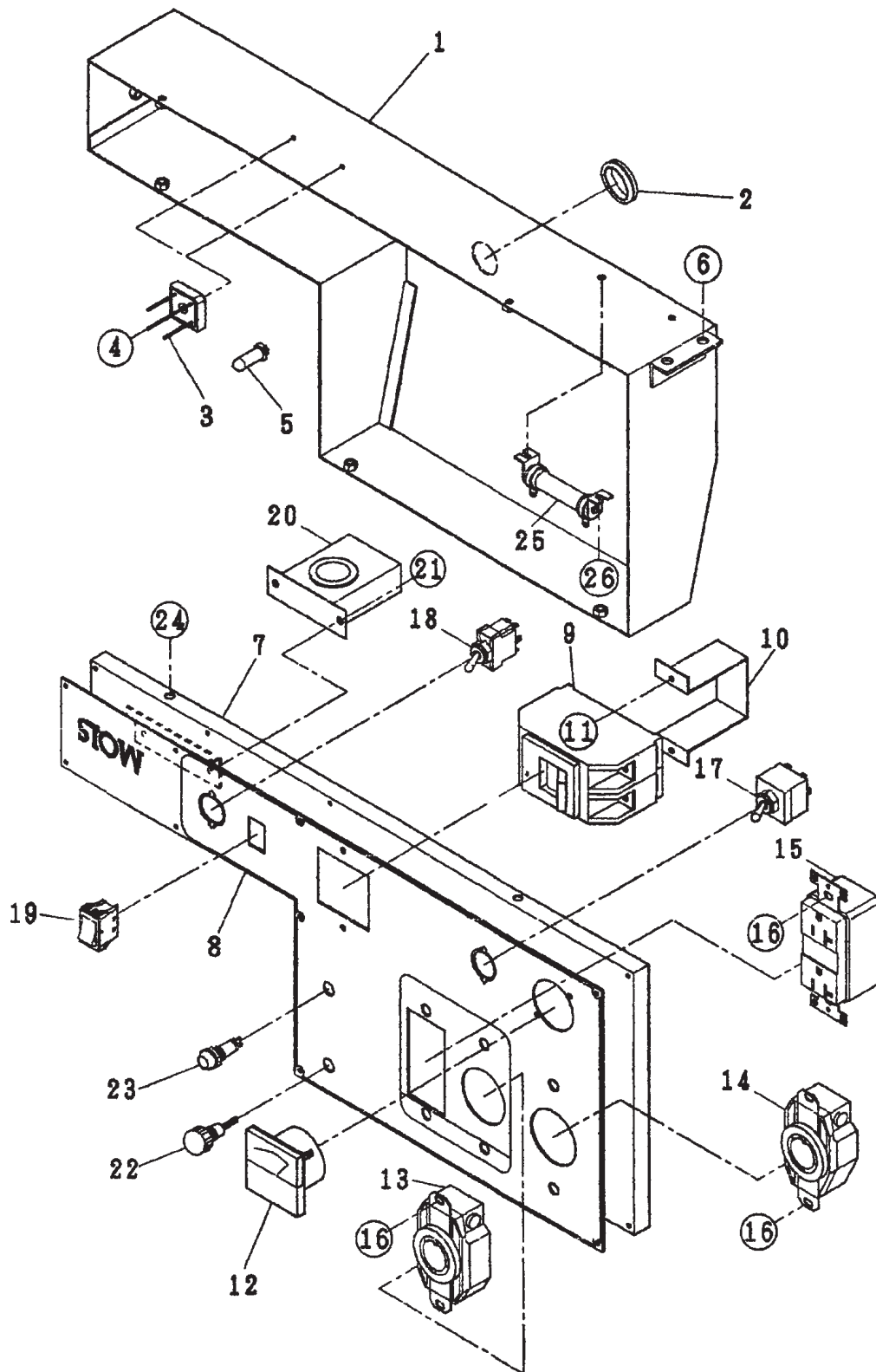
# STOW G-4.5R — GENERATOR ASSY.

## GENERATOR ASSY.

<u>NO</u>	<u>PART NO</u>	<u>PART NAME</u>	<u>QTY.</u>	<u>REMARKS</u>
1	A3110200003	ROTOR ASSY. ....	1	INCLUDES ITEMS W/*
1-1*	7661080003	FIELD COIL ASSY.	1	
1-2	0601823213	RECTIFIER .....	2	D3SB 80
1-2	0601822638	SURGE ABSORBER .....	2	TNR 15G431K
1-3*	0071706304	BEARING .....	1	6304 2RU NYCM
2	7661017104	SET BOLT, ROTOR	1	
3	0801086104	SET WASHER, BEARING	1	
4	0040010000	SPRING WASHER	1	
5	A3136001203	ARMATURE ASSY.	1	
6	A3155100002	END BRACKET (C SIDE)	1	
7	A3155000002	END BRACKET (B SIDE)	1	
8	7875021523	GUIDE PANEL, AIR	1	
9	7661331003	COVER	1	
10	7661344204	SET BOLT, STATOR	4	
11	0040008000	SPRING WASHER	4	
12	0041208000	PLAIN WASHER	4	
13	7871329514	GROMMET	1	
14	0601851760	CAP	1	
15	0013608025	HEX. HEAD BOLT .....	4	S/N 5498030 AND BELOW
15	0013608025	HEX. HEAD BOLT .....	4	S/N 5498031 AND ABOVE
15A	0040008025	SPRING WASHER .....	4	S/N 5498030 AND BELOW
15A	0040008000	SPRING WASHER .....	4	S/N 5498031 AND ABOVE
16	A3332400304	MUFFLER BRACKET .....	1	S/N 5498030 AND BELOW
17	A3332400204	MUFFLER BRACKET .....	1	S/N 5498030 AND BELOW
18	A3332400104	MUFFLER BRACKET .....	1	S/N 5498030 AND BELOW
19	0017108020	HEX. HEAD BOLT .....	6	S/N 5498030 AND BELOW

# STOW G-4.5R — CONTROL BOX ASSY. (S/N 549830 AND BELOW)

CONTROL BOX ASSY. (S/N 549830 AND BELOW)



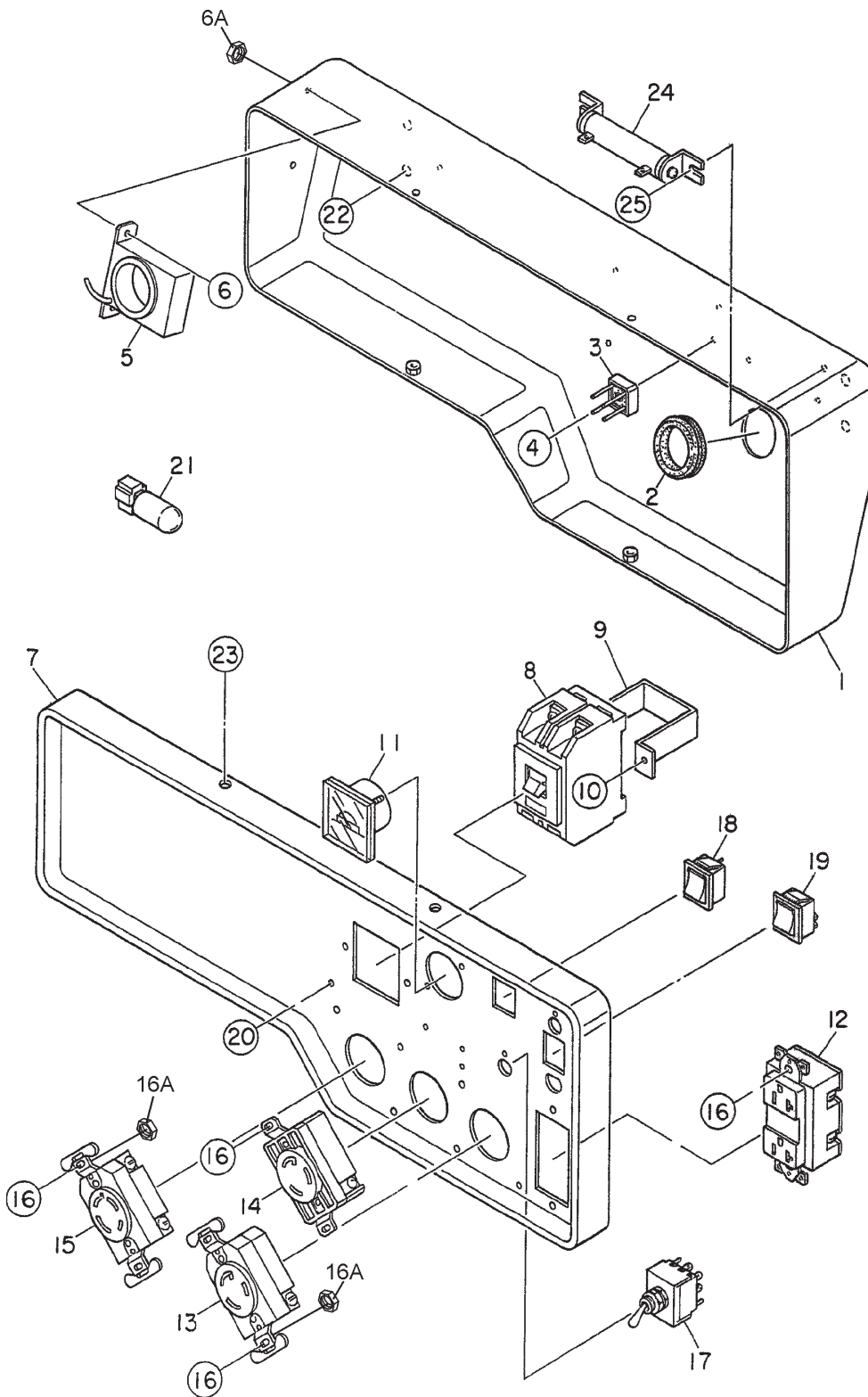
## STOW G-4.5R — CONTROL BOX ASSY. (S/N 549830 AND BELOW)

CONTROL BOX ASSY. (S/N 549830 AND BELOW)

<u>NO</u>	<u>PART NO</u>	<u>PART NAME</u>	<u>QTY.</u>	<u>REMARKS</u>
1	A3215000303	CONTROL BOX	1	
2	0601850215	GROMMET	1	
3	0601823204	RECTIFIER .....	2	S5VB60
4	0027103012	MACHINE SCREW	2	
5	A3262800004	CONDENSER	1	
6	0017106016	HEX. HEAD BOLT	4	
7	A3225000603	CONTROL PANEL	1	
8	A3512100502	NAME PLATE .....	1	A31210050
9	0601802651	CIRCUIT BREAKER.....	1	KM-2 :15A
10	4341817004	BRACKET, CIRCUIT BREAKER	1	
11	0021004010	MACHINE SCREW	2	
12	0601806819	AC VOLTMETER .....	1	DE450-011 : 0 ~ 120/240V
13	0601811035	RECEPTACLE .....	1	L5-30R : 125V, 30A
14	0601811032	RECEPTACLE .....	1	L6-20R : 250V, 20A
15	0601812598	RECEPTACLE .....	1	5-20R : 125V, 20A
16	0021004010	MACHINE SCREW	6	
17	0601830737	SWITCH, FULL POWER .....	1	ET330D12
18	0601830727	SWITCH, IDLE CONTROL .....	1	ET115A12
19	0601831600	SWITCH, OPERATION .....	1	JW-M11RKK
20	0601823853	SLOW DOWN UNIT .....	1	ND80B
21	0027104010	MACHINE SCREW	2	
22	0601815109	GROUND TERMINAL	1	
23	0601810553	ALARM LAMP, OIL .....	1	D121091SR :12V
24	0017105010	HEX. HEAD BOLT	5	
25	0601842426	RESISTOR .....	1	40W, 400
26	0027104012	MACHINE SCREW	2	
26	0207004000	HEX.NUT	2	

# STOW G-4.5R — CONTROL BOX ASSY. (S/N 549831 AND ABOVE)

CONTROL BOX ASSY. (S/N 549831 AND ABOVE)



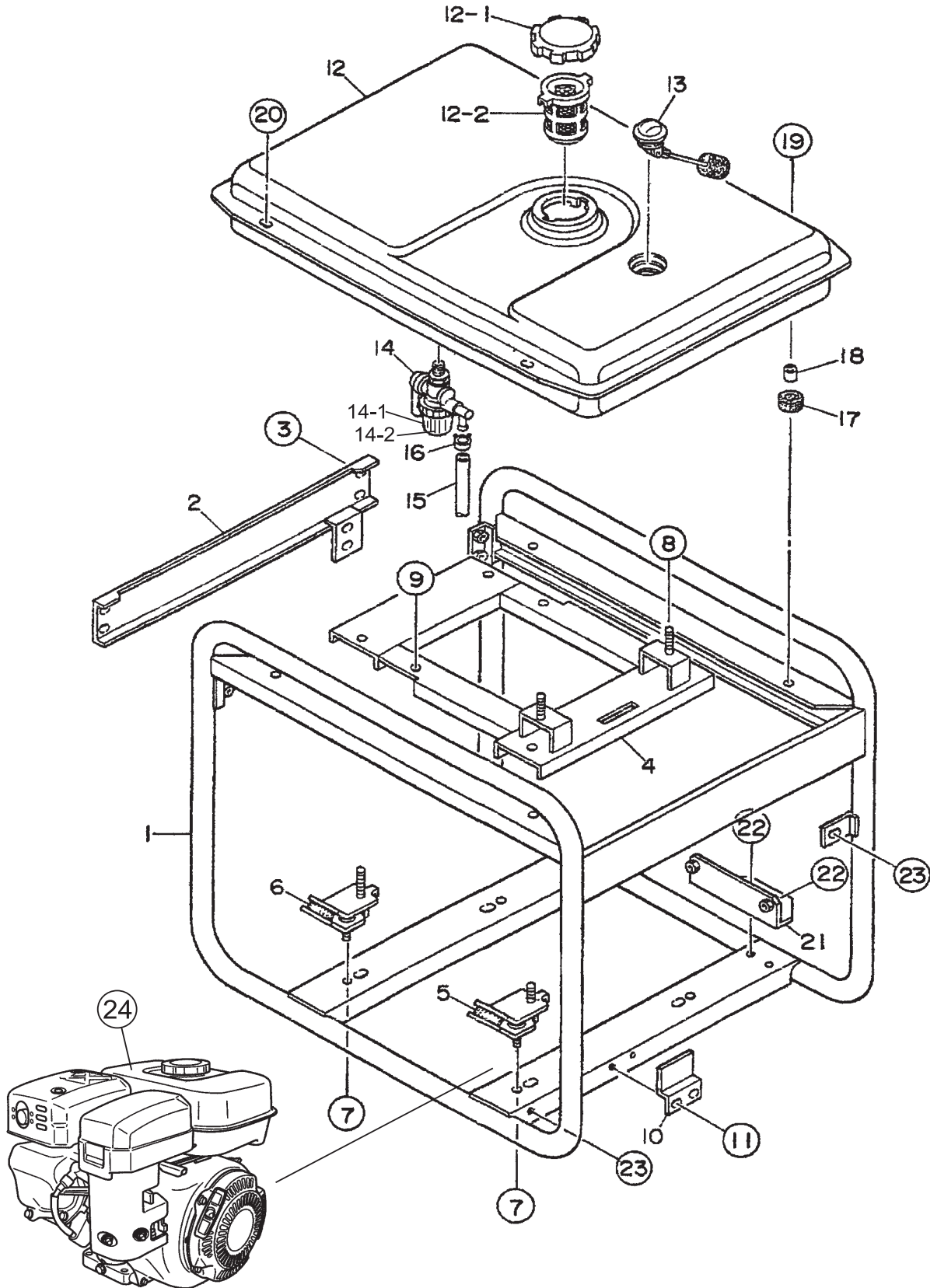
# STOW G-4.5R — CONTROL BOX ASSY. (S/N 549831 AND ABOVE)

CONTROL BOX ASSY. (S/N 549831 AND ABOVE)

<u>NO</u>	<u>PART NO</u>	<u>PART NAME</u>	<u>QTY.</u>	<u>REMARKS</u>
1	A3214000003	CONTROL BOX	1	
2	0601850102	GROMMET	1	
3	0601823204	RECTIFIER .....	2	S5VB60
4	0027103012	MACHINE SCREW	2	
5	0601823853	SLOW-DOWN UNIT .....	1	ND-80
6	0027104010	MACHINE SCREW	2	
6A	0207004000	HEX NUT	2	
7	A3224000003	CONTROL PANEL	1	
8	0601802651	CIRCUIT BREAKER.....	1	KM-2 :15A
9	4341817004	BRACKET, CIRCUIT BREAKER	1	
10	0021004010	MACHINE SCREW	2	
11	0601806819	AC VOLTMETER .....	1	DE450-011 : 0 ~ 120/240V
12	0601812598	RECEPTACLE .....	1	5-20R : 125V, 20A
13	0601812592	RECEPTACLE .....	1	L5-20R : 125V, 20A
14	0601811035	RECEPTACLE .....	1	L5-30R : 125V, 30A
15	0601814010	RECEPTACLE .....	1	L14-20R :125/250V, 30A
16	0021004010	MACHINE SCREW	8	
16A	0207004000	HEX NUT	8	
17	0601830737	SWITCH, FULL POWER .....	1	ET330D12
18	0601831620	SWITCH, IDLE CONTROL .....	1	C1550WA
19	0601831620	SWITCH, OPERATION .....	1	C1550WA
20	0021004015	MACHINE SCREW	1	
20A	0207004000	HEX NUT	1	
21	A3262800004	CONDENSER ASSY. 50V @ 1000 $\mu$ F .....	1	VR1H102MHA
22	0017106016	HEX. HEAD BOLT	4	
23	0017105010	HEX. HEAD BOLT	4	
24	0601842426	RESISTOR .....	1	40W, 400 OHMS
25	0027104010	MACHINE SCREW	2	

# STOW G-4.5R — PIPE FRAME ASSY. (S/N 549830 AND BELOW)

PIPE FRAME ASSY. (S/N 549830 AND BELOW)



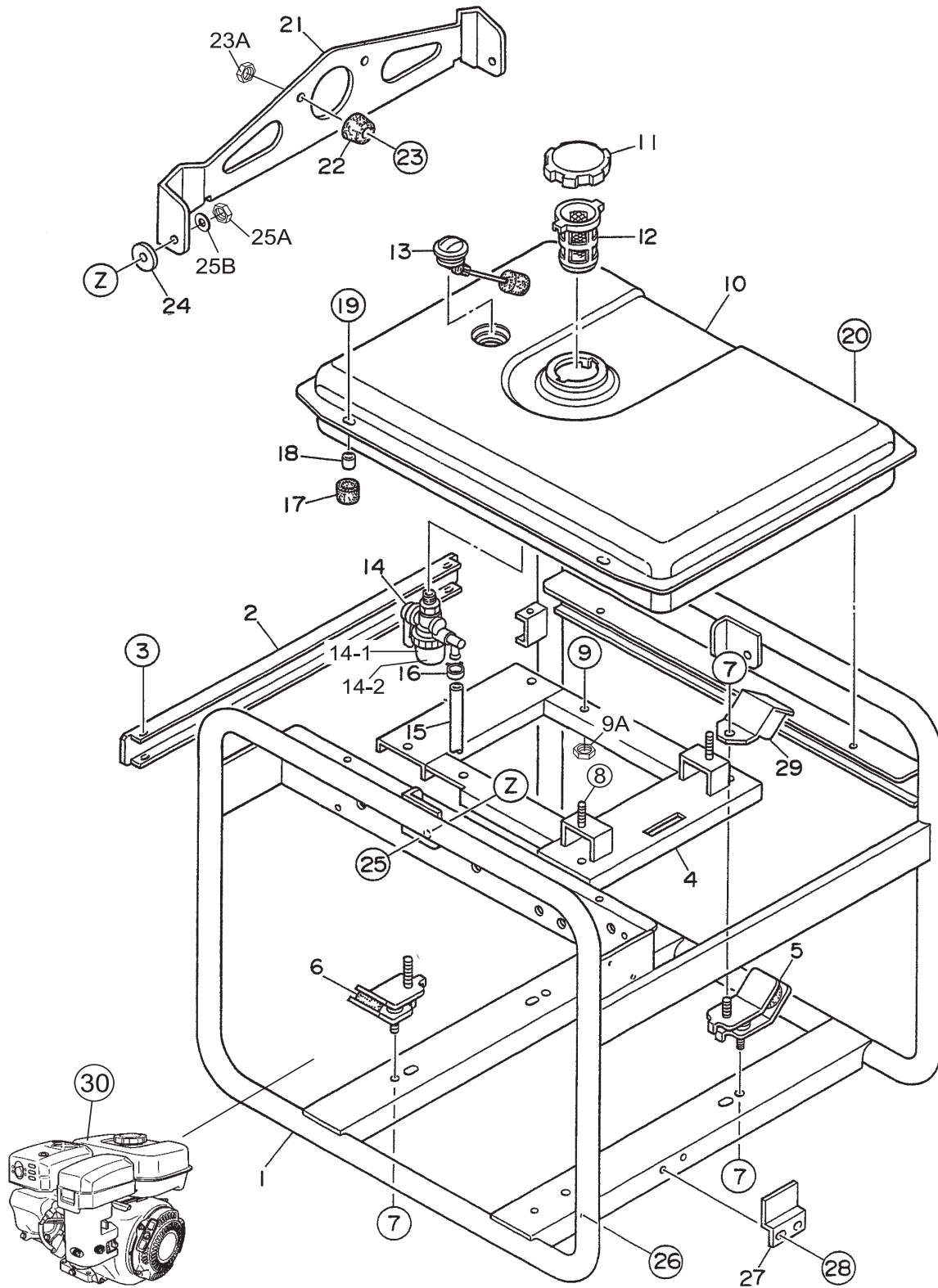
# STOW G-4.5R — PIPE FRAME ASSY. (S/N 549830 AND BELOW)

PIPE FRAME ASSY. (S/N 549830 AND BELOW)

<u>NO</u>	<u>PART NO</u>	<u>PART NAME</u>	<u>QTY.</u>	<u>REMARKS</u>
1	A3418000112	PIPE FRAME	1	
2	A3485500004	SUPPORT, PIPE FRAME	1	
3	0017106016	HEX. HEAD BOLT	4	
4	A3305100103	ENGINE BASE	1	
5	A9312601704	RUBBER SUSPENSION	2	
6	7935416004	RUBBER SUSPENSION	2	
7	0207008000	HEX. NUT	8	
8	0207008000	HEX. NUT	2	
9	0017108040	HEX. HEAD BOLT	2	
9A	0207008000	HEX. NUT	2	
10	A3305200104	STOPPER	1	
11	0017106016	HEX. HEAD BOLT	2	
12	A3365000102	FUEL TANK	1	
12-1	0810106004	CAP, FUEL TANK	1	
12-2	0810107103	FUEL FILTER	1	
13	0602125034	FUEL GUAGE .....	1	..... CJ-58A
14	0605510026	FUEL STRAINER	1	
14-1	0642007810	CUP, FILTER FUEL STRAINER	1	
14-2	0642006410	PACKING, FUEL STRAINER CUP	1	
15	0605513169	HOSE	1	
16	0605515105	HOSE BAND	2	
17	7855525514	RUBBER CUSION	2	
18	7855525604	COLLAR	2	
19	0017108030	HEX. HEAD BOLT	2	
20	0017108020	HEX. HEAD BOLT	2	
21	A3332400004	BRACKET	1	
22	0017106016	HEX. HEAD BOLT	4	
23	0019206016	HEX. HEAD BOLT	2	
24	A4924200004 EX27D	ROBIN ENGINE	1	

# STOW G-4.5R — PIPE FRAME ASSY. (S/N 549831 AND ABOVE)

PIPE FRAME ASSY. (S/N 549830 AND ABOVE)



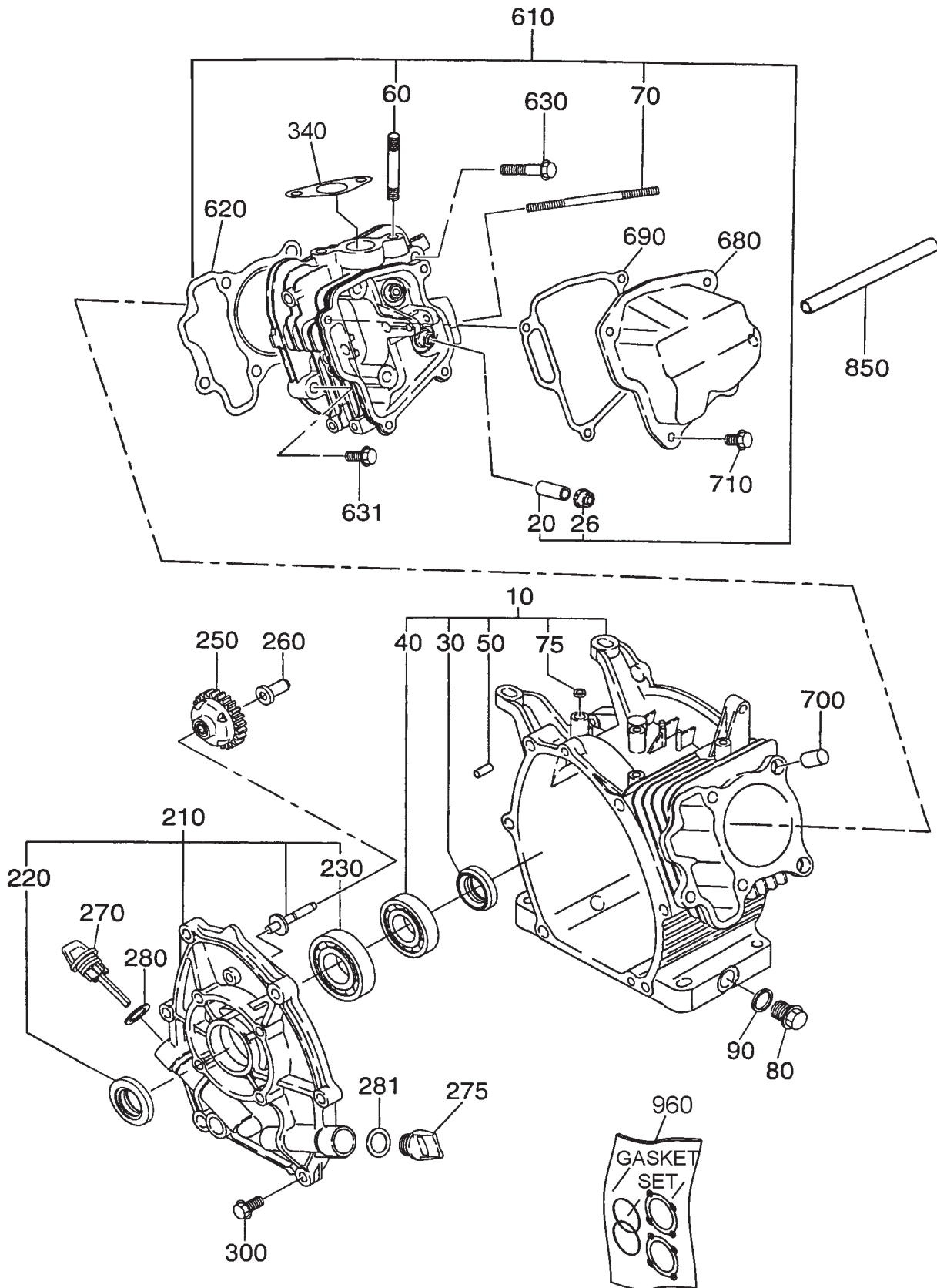
## STOW G-4.5R — PIPE FRAME ASSY. (S/N 549831 AND ABOVE)

PIPE FRAME ASSY. (S/N 549830 AND ABOVE)

<u>NO</u>	<u>PART NO</u>	<u>PART NAME</u>	<u>QTY.</u>	<u>REMARKS</u>
1	A4417000002	PIPE FRAME	1	
2	A3417100004	BRACKET	1	
3	0017106016	HEX. HEAD BOLT	4	
4	A3304100003	ENGINE BASE	1	
5	A9312601704	RUBBER SUSPENSION	2	
6	7935416004	RUBBER SUSPENSION	2	
7	0207008000	HEX. NUT	8	
8	0207008000	HEX. NUT	2	
9	0017108040	HEX. HEAD BOLT	2	
9A	0207008000	HEX. NUT	2	
10	A4364000002	FUEL TANK	1	
11	A9924800014	CAP, FUEL TANK	1	
12	0810107103	FUEL FILTER	1	
13	0602125034	FUEL GUAGE .....	1	..... CJ-58A
14	0605510026	FUEL STRAINER	1	
14-1	0642007810	CUP, FILTER FUEL STRAINER	1	
14-2	0642006410	PACKING, FUEL STRAINER CUP	1	
15	0605513194	HOSE	1	
16	0605515062	HOSE BAND	2	
17	7855525514	RUBBER CUSION	2	
18	7855525604	COLLAR	2	
19	0017108030	HEX. HEAD BOLT	2	
20	0017108020	HEX. HEAD BOLT	2	
21	A9117200103	HANGER	1	
22	0601850097	STOPPER	1	
23	0021008025	MACHINE SCREW	1	
23A	0207008000	HEX NUT	1	
24	A9311100004	PLASTIC WASHER	2	
25	0011308025	HEX HEAD BOLT	2	
25A	0037908000	HEX NUT	2	
25B	0042108000	WASHER, FLAT	2	
26	0019206016	HEX HEAD BOLT	1	
27	A3305200104	STOPPER	1	
28	0017106016	HEX HEAD BOLT	2	
29	A3414500004	COVER	1	
30	A4924200004 EX27D	ROBIN ENGINE	1	

# ROBIN EX270D20110—CRANKCASE ASSY.

CRANKCASE ASSY..



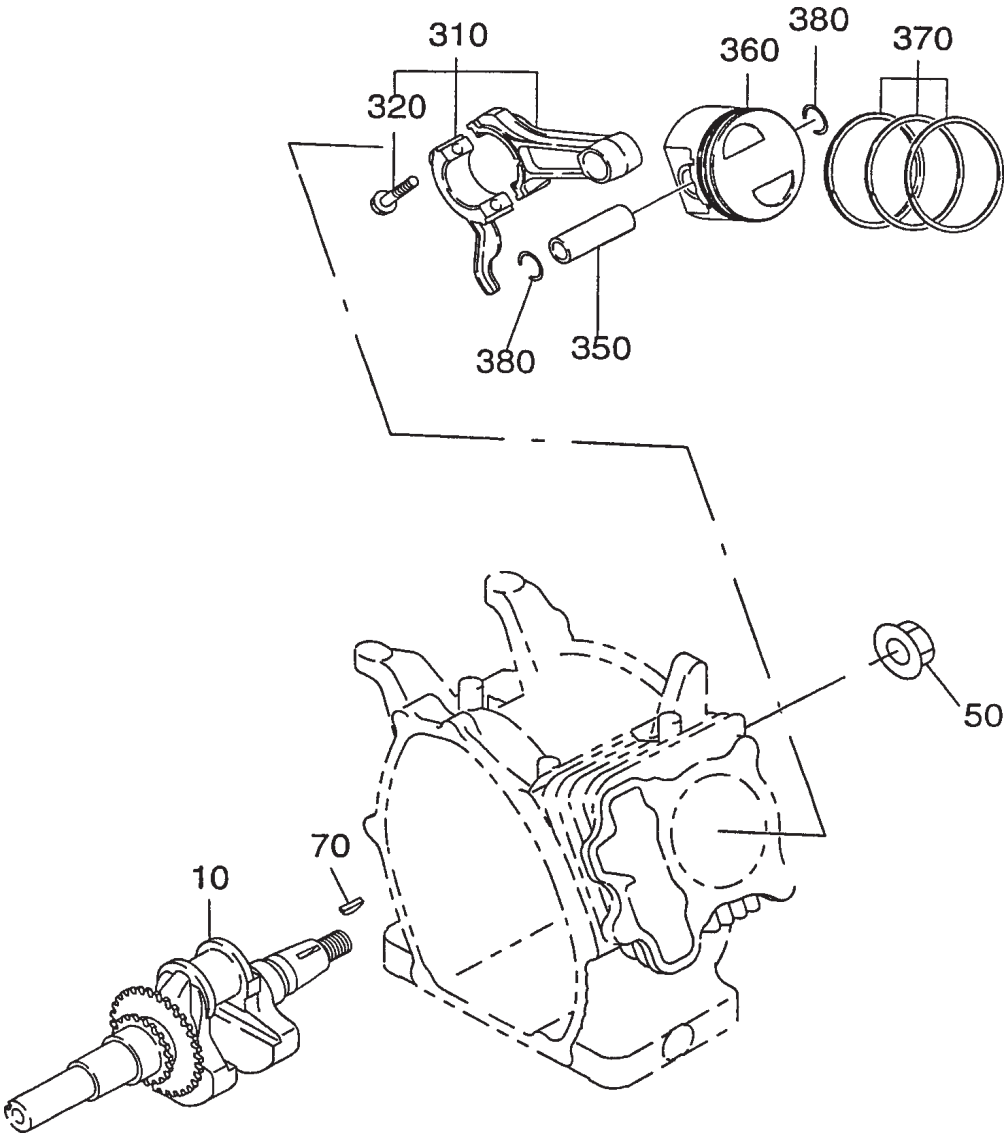
# ROBIN EX270D20110— CRANKCASE ASSY.

## CRANKCASE ASSY.

<u>NO</u>	<u>PART NO</u>	<u>PART NAME</u>	<u>QTY.</u>	<u>REMARKS</u>
10	2791010251	CRANKCASE ASSY. ....	1	INCLUDES ITEMS W/*
20%	2371420203	VALVE GUIDE	2	
26%	2771601001	STEM SEAL	1	
30*	0440300110	OIL SEAL	1	
46*	0600300341	BALL BEARING	1	
50*	2771501103	PIPE KNOCK	2	
60%	0105080250	STUD	2	
70%	0105060410	STUD	2	
75	0440060020	OIL SEAL	1	
80	0401140020	PLUG	2	
90	0211140020	GASKET	2	
210	2791100121	MAIN BEARING COVER .....	1	INCLUDES ITEMS W/+
220+	0440300160	OIL SEAL	1	
230+	0600300370	BALL BEARING	1	
250	2774500421	GOVERNOR GEAR	1	
260	2774190103	GOVERNOR SLEEVE	1	
275	2796500103	FILLER PLUG	1	
280\$	0213200050	GASKET	1	
281	0213200050	GASKET	1	
300	0010408350	FLANGE BOLT	7	
340\$	2773520103	GASKET, MUFFLER 26D 9DX58P 0.2T	1	
610	2791300111	CYLINDER HEAD ASSY .....	1	INCLUDES ITEMS W/%
620\$	2791500123	GASKET HEAD	1	
630	0110080240	FLANGE BOLT	4	
631	0010408350	FLANGE BOLT	1	
680	2771550101	ROCKER COVER	1	
690\$	2771600103	GASKET, ROCKET COVER	1	
700	2771501103	PIPE KNOCK	2	
710	0110060020	FLANGE BOLT	4	
850	0851080000	RUBBER PIPE	1	
960	2799900107	GASKET SET .....	1	INCLUDES ITEMS W/\$

# ROBIN EX270D20110 — CRANKSHAFT AND PISTON ASSY.

CRANKSHAFT AND PISTON ASSY.



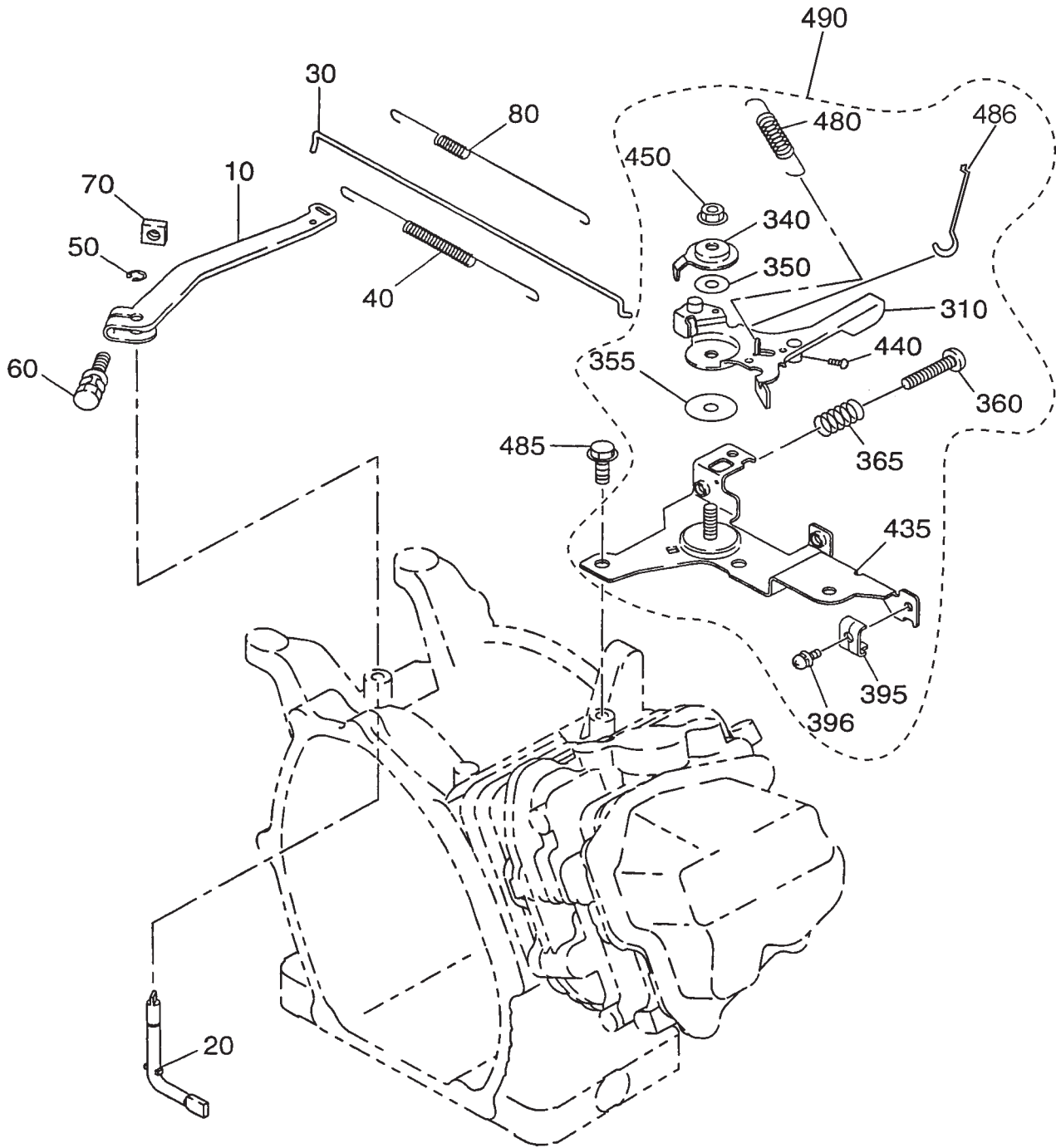
## ROBIN EX270D20110 — CRANKSHAFT AND PISTON ASSY.

### CRANKSHAFT AND PISTON ASSY.

<u>NO</u>	<u>PART NO</u>	<u>PART NAME</u>	<u>QTY.</u>	<u>REMARKS</u>
10	2792120131	CRANKSHAFT CP	1	
50	0180180010	FLANGE NUT	1	
70	0323030010	WOODRUFF KEY	1	
310	2792250120	CONNECTING ROD ASSY. ....	1	INCLUDES ITEM W/*
320*	2792300103	CONNECTING ROD BOLT	2	
350	2792330103	PISTON PIN	1	
360	2792340103	PISTON, STANDARD	1	
360	2792340303	PISTON OVERSIZE 0.25 MM	1	
360	2792340403	PISTON OVERSIZE 0.50 MM	1	
370	2792351107	PISTON RING SET, STANDARD	1	
370	2792351207	PISTON RING SET, 0.25 MM	1	
370	2792351307	PISTON RING SET, STANDARD	1	
380	0565180010	CLIP	2	

# ROBIN EX270D20110 — GOVERNOR ASSY.

GOVERNOR ASSY.



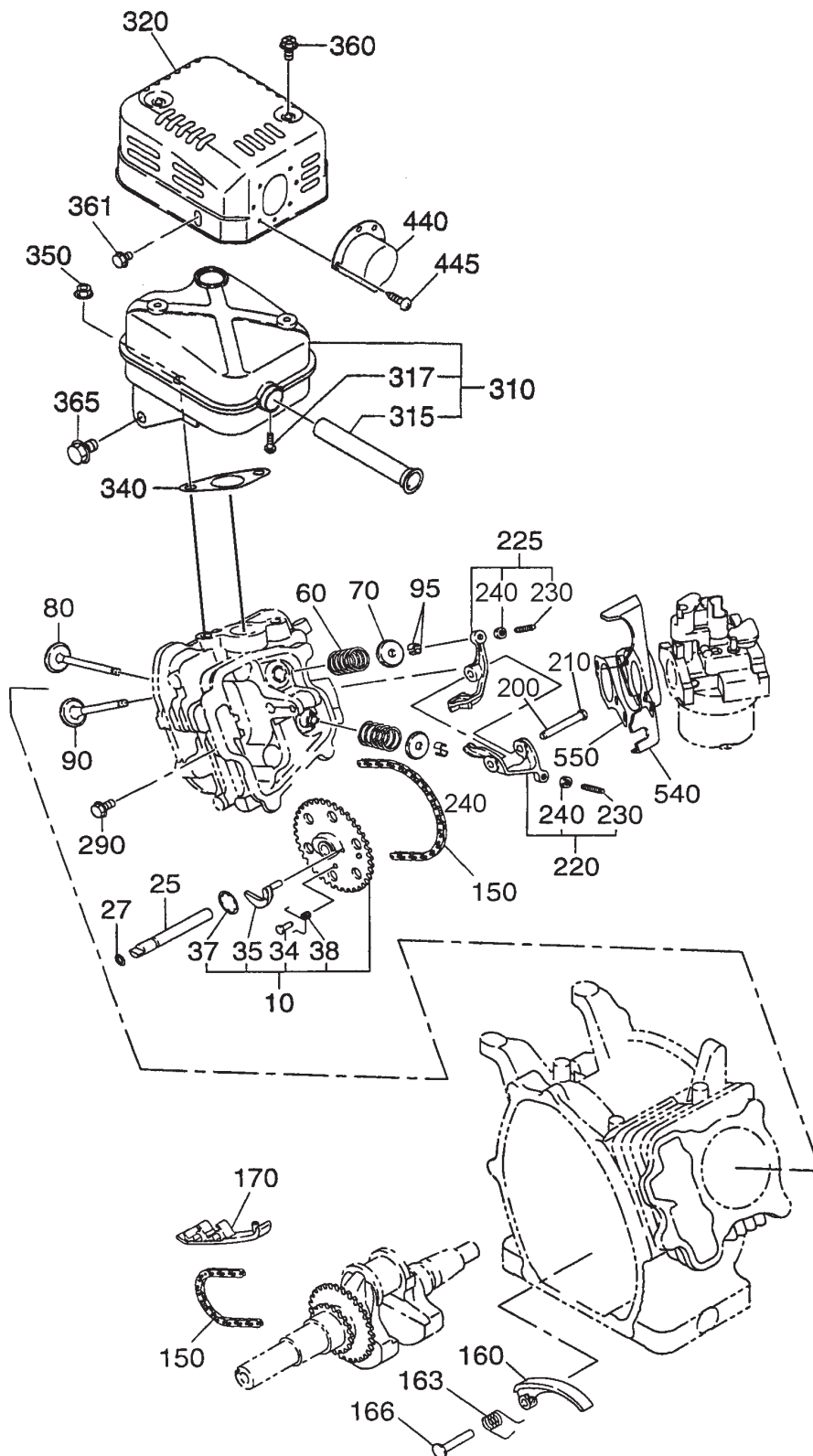
# ROBIN EX270D20110 — GOVERNOR ASSY.

## GOVERNOR OPERATION ASSY.

<u>NO</u>	<u>PART NO</u>	<u>PART NAME</u>	<u>QTY.</u>	<u>REMARKS</u>
10	2794230113	GOVERNOR LEVER	1	
20	2774220133	GOVERNOR SHAFT	1	
30	2794270101	GOVERNOR ROD CP	1	
40	2774280113	ROD SPRING	1	
50	0031305000	CLIP	1	
60	0130060240	BOLT & WASHER ASSY.	1	
70	0186060020	NUT	1	
80	2794250223	GOVERNOR SPRING	1	
310*	2774330301	SPEED CONTROL LEVER	1	
340*	2774350103	STOP PLATE	1	
350*	0200060170	WASHER	1	
355*	0217060070	FRICTION WASHER	1	
360*	0140060180	SCREW	1	
365*	2374500423	SPRING, ADJUST	1	
370	0021706000	NUT	1	
435*	2774600101	SPEED CONT. BRKT CP .....	1	..... CAN ONLY BE PURCHASED W/ITEM 490
395*	2774390203	CLAMP	1	
396*	0131050030	SCREW AND WASHER ASSY.	1	
440*	0043104080	SCREW	1	
450*	0023506000	SELF LOCK NUT	1	
480*	2774510103	RETURN SPRING	1	
485	0110060020	FLANGE BOLT	2	
486	2774370103	LINK ROD	1	
490	2774600303	SPEED CONTROL ASSY. ....	1	..... INCLUDES ITEMS W/*

# ROBIN EX270D20110 — INTAKE AND EXHAUST ASSY.

INTAKE AND EXHAUST ASSY.



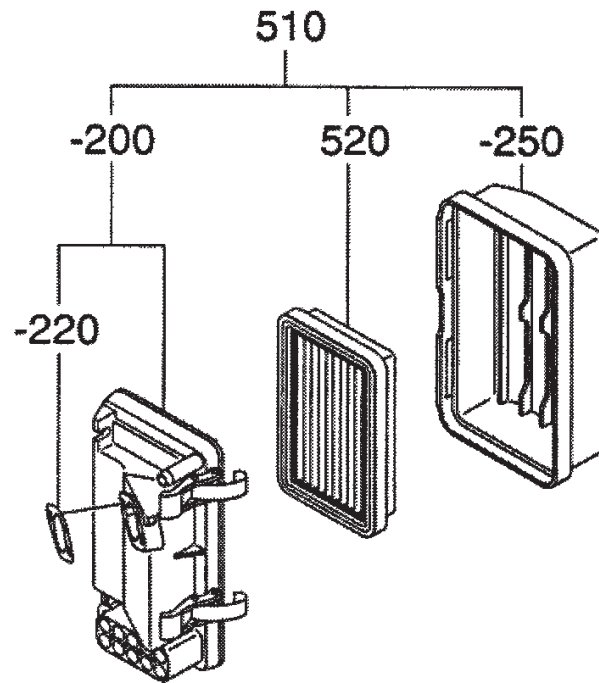
# ROBIN EX270D20110 — INTAKE AND EXHAUST ASSY.

## INTAKE AND EXHAUST ASSY.

<u>NO.</u>	<u>PART NO.</u>	<u>PART NAME</u>	<u>QTY.</u>	<u>REMARKS</u>
10	2793160101	CAMSHAFT CP .....	1 .....	INCLUDES ITEMS W/*
25	2773510103	PIN, CAMSHAFT, 9DX78.5L	1	
27	0240060010	O RING, 5.8DX9.6DX1.9T	1	
34*	2773860103	SPRING PIN, 4DX7.5DX11L	1	
35*	2793640103	RELEASE LEVER	1	
37*	2773650103	CLIP, 13.8DX20.3DX0.4T	1	
38*	2773870103	RETURN SPRING	1	
60	2793360103	VALVE SPRING, 17DX2.3DX27L N=5.8	2	
70	2693370103	SPRING RETAINER	2	
80	2793340113	INTAKE VALVE, 28.5DX5.5DX67.8L	1	
90	2793350113	EXHAUST VALVE, 26.5DX5.5DX67.8L	1	
95	13210KA031	COLLET VALVE	4	
150	2793560111	TIMING CHAIN CP, 100 LINK	1	
160	2773691103	TENTIONER	1	
163	2773710103	SPRING, TENTIONER	1	
166	2773690203	PIN, TENTIONER, 6DX13DX34L	1	
170	2773691313	CHAIN GUIDE	1	
200	2773500123	PIN, ROCKER, 6DX9DX41L	1	
210	0031305000	CLIP	1	
220	2773620100	ROCKER ARM ASSY. IN .....	1 .....	INCLUDES ITEMS W/#
225	2773620200	ROCKER ARM ASSY. EX .....	1 .....	INCLUDES ITEMS W/#
230#	0149050020	ADJUST SCREW, M5X0.5X23L	1	
240#	0170050030	NUT, M5X0.5X4.1H	1	
290	0110060020	FLANGE BOLT, M6X1.0X12L	1	
310	2793020111	MUFFLER, CP	1	
315	2793760101	SPARK ARRESTOR	1	
317	0150040060	TAPPING SCREW	1	
320	2793420111	MUFFLER COVER CP	1	
340	2773520103	GASKET, MUFFLER 26D 9DX58P 0.2T	1	
350	9802008280	FLANGE NUT	2	
360	0152060090	TAPPING BOLT, M6X1.0X10L	2	
361	0110060010	FLANGE BOLT, M6X1.0X8L	1	
365	0110080150	FLANGE BOLT, M8X1.25X12L	1	
440	2773700103	DEFLECTOR	1	
445	0150040060	TAPPING SCREW	2	
540	2793290113	INSULATOR	1	
550	2793590123	GASKET, INSULATOR	1	

# ROBIN EX270D20110 — AIR CLEANER ASSY.

AIR CLEANER ASSY.



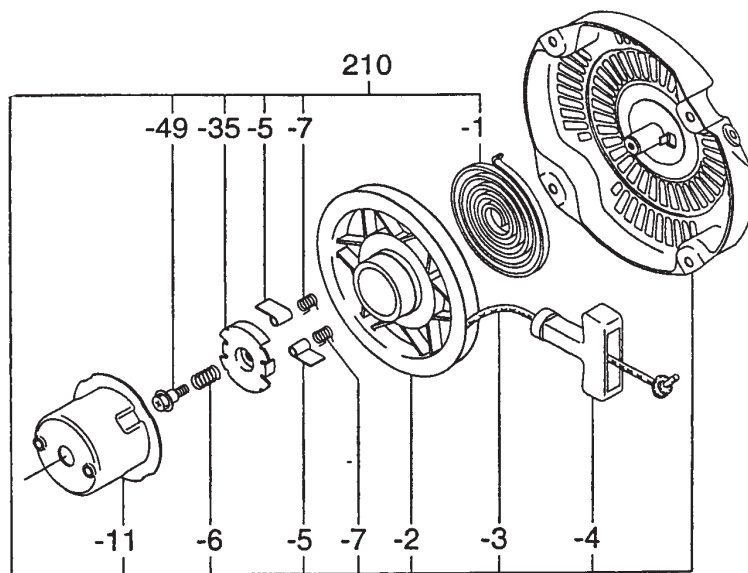
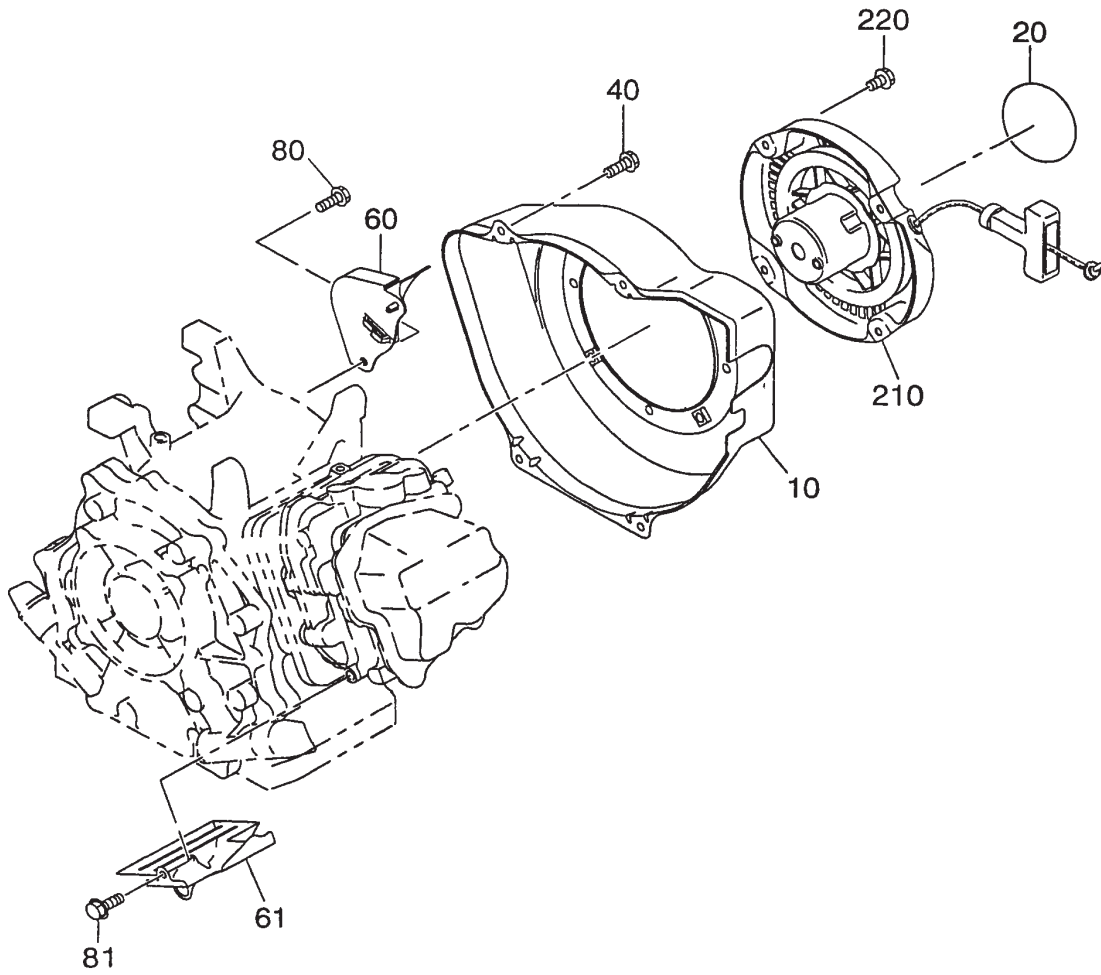
## ROBIN EX270D20110 — AIR CLEANER ASSY.

AIR CLEANER ASSY.

<u>NO.</u>	<u>PART NO.</u>	<u>PART NAME</u>	<u>QTY.</u>	<u>REMARKS</u>
510	2793262030	AIR CLEANER ASSY. LOW PROFILE .....	1 .....	INCLUDES ITEMS W/*
510-200*	2793263308	BODY CP	1	
510-220*	2793265008	GASKET	1	
510-250*	2793264508	COVER, LOW PROFILE	1	
520*	2793260907	ELEMENT ASSY.	1	

# ROBIN EX270D20110 — COOLING STARTING ASSY.

COOLING STARTING ASSY.



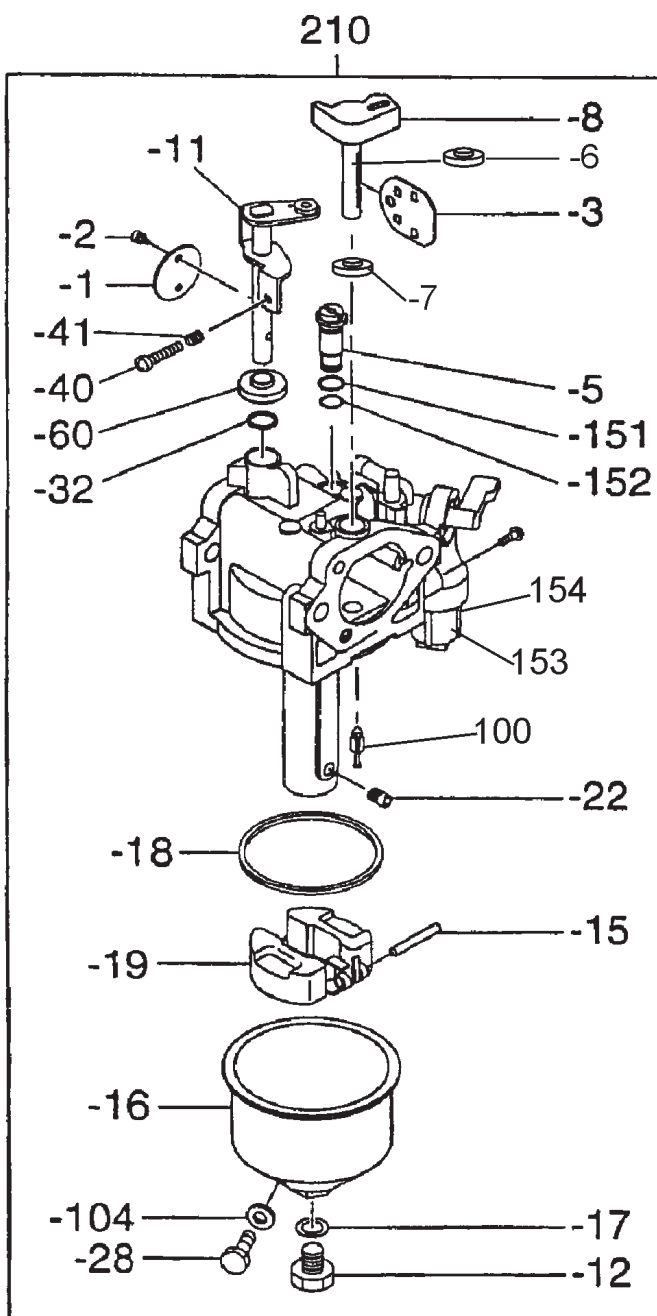
# ROBIN EX270D20110 — COOLING STARTING ASSY.

## COOLING STARTING ASSY.

<u>NO</u>	<u>PART NO</u>	<u>PART NAME</u>	<u>QTY.</u>	<u>REMARKS</u>
10	2795120111	BLOWER HOUSING CP, YELLOW	1	
20	0732005140	LABEL, TRADEMARK 64D	1	
40	0110060030	FLANGE BOLT	4	
60	2795271111	BAFFLE 1, CASE CP	1	
61	2795270213	BAFFLE 2, HEAD	1	
80	0016508120	BOLT	1	
81	0110060020	FLANGE BOLT	1	
210	2795020200	RECOIL STARTER ASSY. ....	1	INCLUDES ITEM W/*
210-1*	2265071608	SPIRAL SPRING	1	
210-2*	2795012008	REEL	1	
210-3*	2795011008	STARTER ROPE	1	
210-4*	2265070108	STARTER KNOB	1	
210-5*	2795012508	RATCHET	2	
210-6*	2265073108	FRICTION SPRING	1	
210-7*	2265075208	RATCHET SPRING	2	
210-11*	2795014508	STARTER PULLEY	1	
210-35*	2265074108	FRICTION PLATE	1	
210-49*	2265075308	CENTER SCREW	1	
220	0110060010	FLANGE BOLT	4	

# ROBIN EX270D20110 — CARBURETOR ASSY.

FUEL LUBRICANT ASSY.



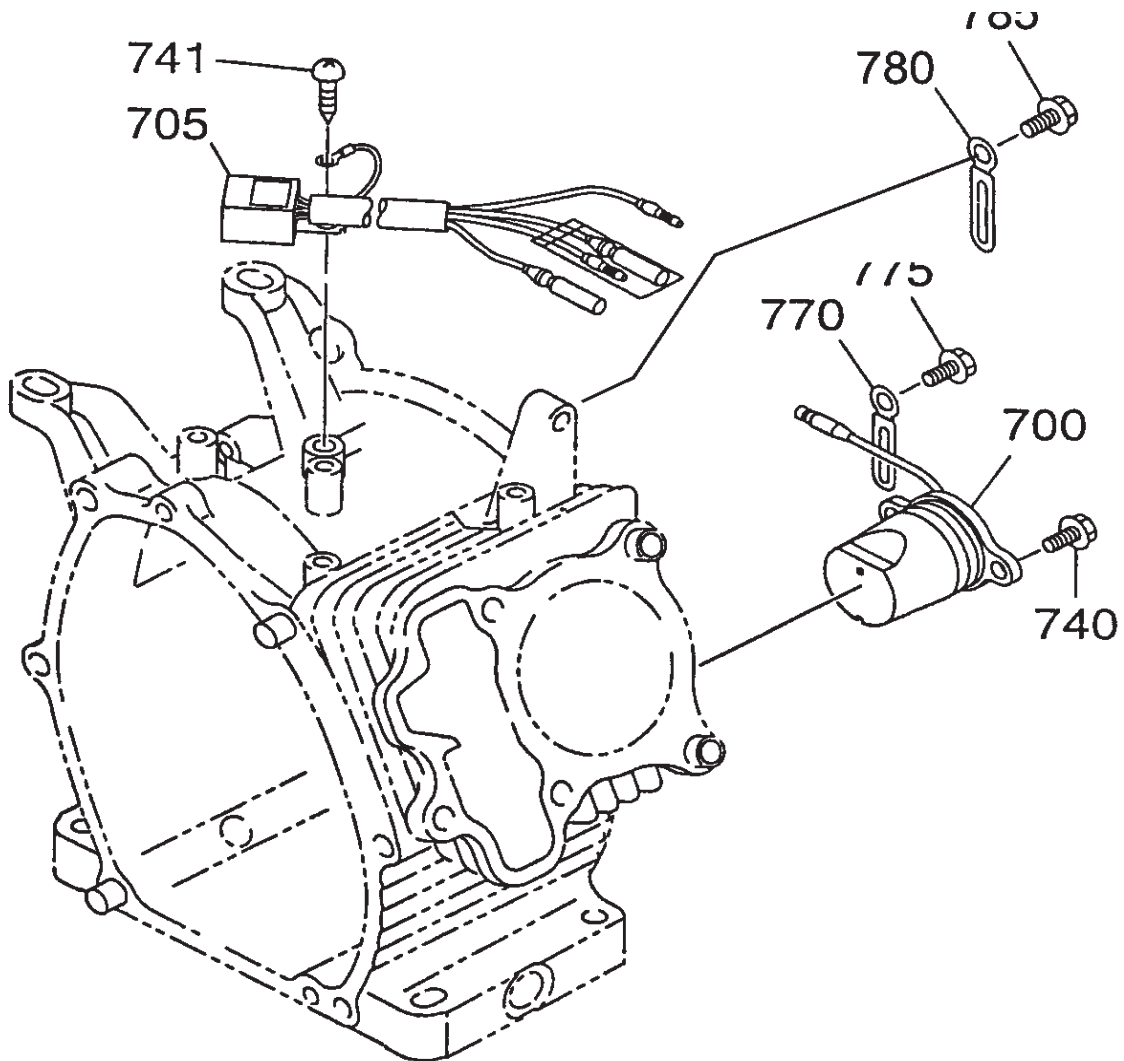
# ROBIN EX270D20110 — CARBURETOR ASSY.

## FUEL LUBRICANT ASSY.

<u>NO</u>	<u>PART NO</u>	<u>PART NAME</u>	<u>QTY.</u>	<u>REMARKS</u>
210	2796230100	CARBURETOR ASSY. ....	1	INCLUDES ITEM W/*
210-1*	2796253508	VALVE THROTTLE	1	
210-2*	2516245008	SCREW	2	
210-3*	2796252508	VALVE CHOKE	1	
210-5*	2796242008	JET SLOW	1	
210-6*	2796256308	COLLAR, UPPER, LOW PROFILE	1	
210-7*	2796256408	COLLAR, LOWER, LOW PROFILE	1	
210-8*	2796252008	SHAFT CHOKE	1	
210-11*	2796253008	SHAFT SUB ASSY., THROTTLE	1	
210-12*	2516245308	SCREW	1	
210-15*	2796251508	PIN FLOAT LEVER	1	
210-16*	2796255008	CHAMBER FLOAT	1	
210-17*	2796235008	GASKET	1	
210-18*	2796254008	GASKET CHAMBER	1	
210-19*	2796250508	FLOAT SUB ASSY.	1	
210-22*	2796240008	JET MAIN	1	
210-22*	2796240108	JET MAIN	1	
210-28*	2796235508	SCREW DRAIN	1	
210-32*	2796256108	BUSH	1	
210-40*	2796235308	SCREW ADJUSTING	1	
210-41*	2796244508	SPRING	1	
210-60*	2796256208	COLLAR	1	
210-100	2796250008	VALVE, ASSY.	1	
210-104*	2796255208	GASKET	1	
210-121*	2516248008	CAP	1	
210-151*	2796245208	O-RING	1	
210-152*	2796245108	O-RING	1	
210-153*	0652007810	FILTER CUP	1	
210-154*	0642006410	PACKING, FILTER CUP	1	

# ROBIN EX270D20110 — FLYWHEEL ASSY.

FLYWHEEL ASSY.



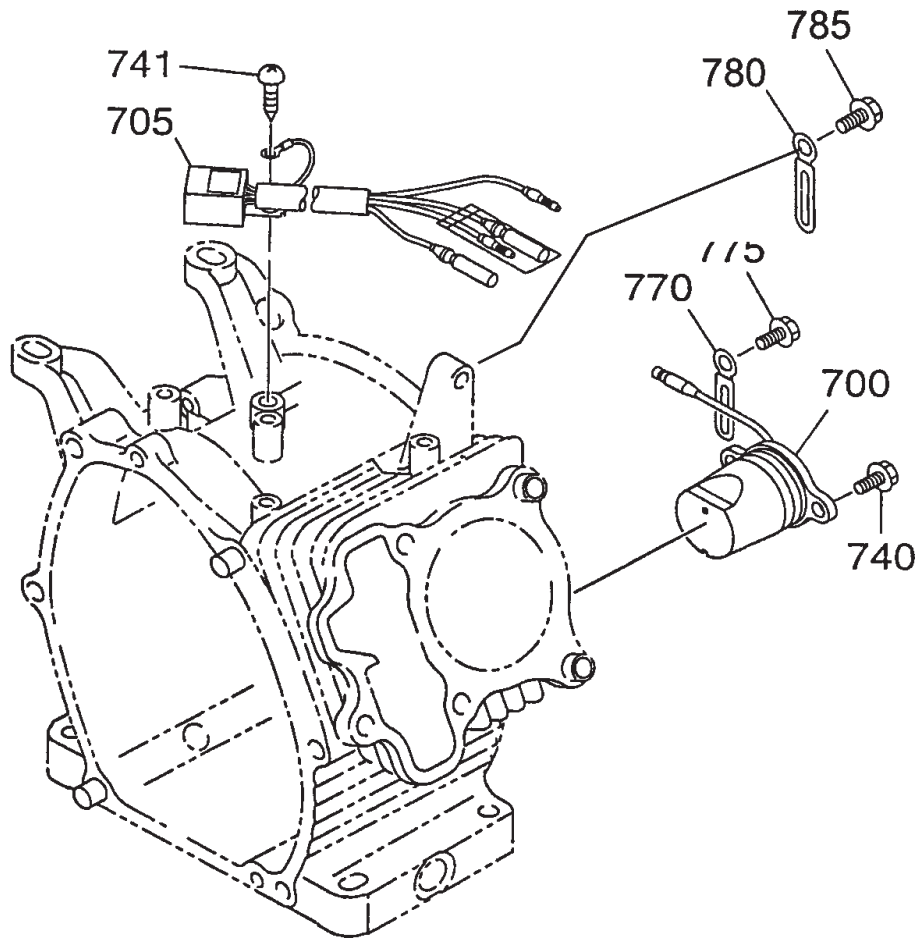
# ROBIN EX270D20110 — FLYWHEEL ASSY.

FLYWHEEL ASSY.

<u>NO</u>	<u>PART NO</u>	<u>PART NAME</u>	<u>QTY.</u>	<u>REMARKS</u>
10	2797923001	FLYWHEEL CP	1	
11	2797943001	IGNITION COIL CP	1	
30	0011406250	BOLT & WASHER ASSY.	2	
50	27773102H1	WIRE 2 CP, W/OIL SENSOR	1	
60	0660000371	SWITCH ASSY.	1	
70	0150040090	TAPPING SCREW	2	
100	0650140150	SPARK PLUG .....	1.....	NGK BR6HS
110	0655000270	SPARK PLUG CAP	1	

# ROBIN EX270D20110 — ELECTRIC DEVICE ASSY.

ELECTRIC DEVICE ASSY.



# ROBIN EX270D20110 — ELECTRIC DEVICE ASSY.

ELECTRIC DEVICE ASSY.

<u>NO</u>	<u>PART NO</u>	<u>PART NAME</u>	<u>QTY.</u>	<u>REMARKS</u>
700	2797630131	OIL SENSOR CP	1	
705	KU31107001	FLOAT, C/U CP3	1	
740	0011406160	BOLT & WASHER ASSY.	2	
740	0011406160	BOLT & WASHER ASSY.	2	
741	0150040090	TAPPING BOLT	1	
770	2147900601	CLAMP CP	1	
775	0110060020	FLANGE BOLT	1	
780	2797550103	CLAMP	1	
785	0152060050	TAPPING BOLT	1	