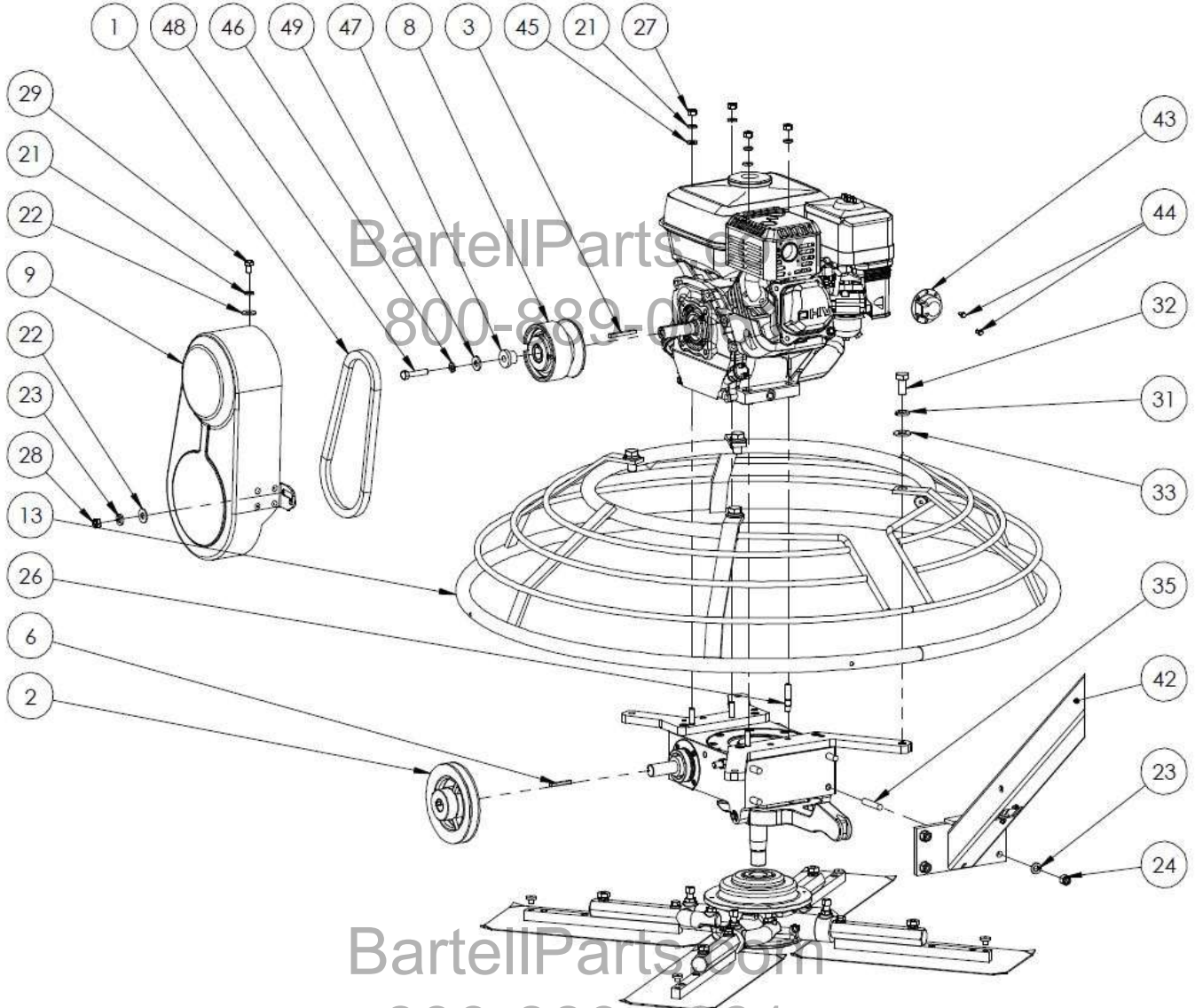
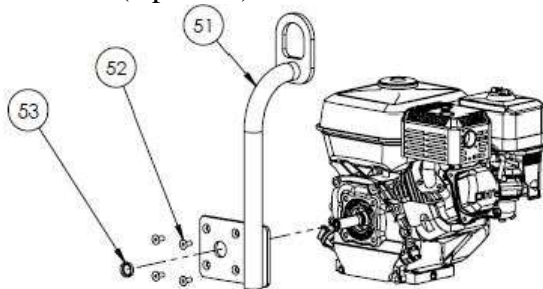


## PARTS LIST 1 – WALK-BEHIND TROWELS

### GENERAL ASSEMBLY DIAGRAM: BC436



### Hoist Hook (Optional)

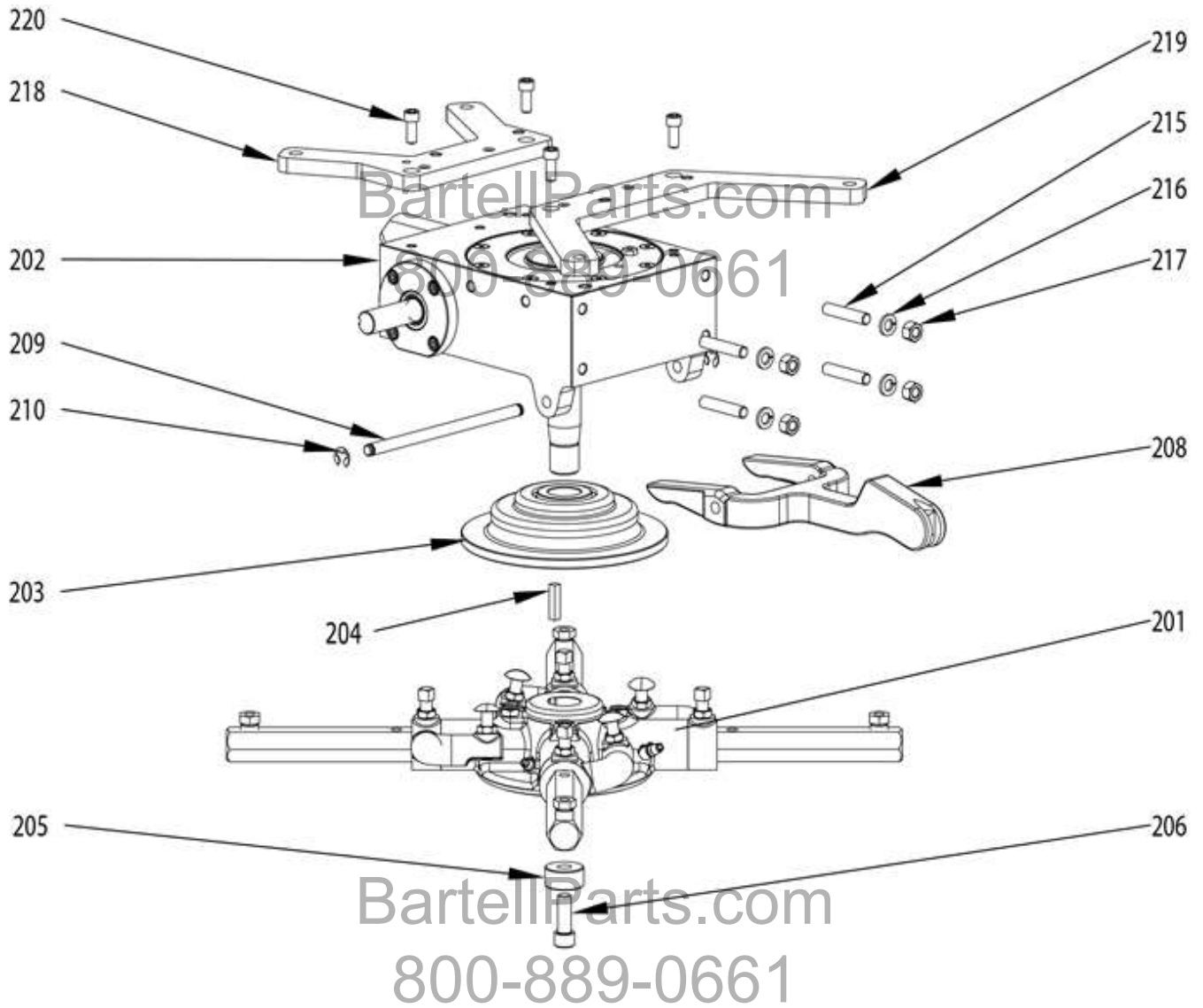


**GENERAL ASSEMBLY: BC436 - PARTS LIST 1**

| Item # | Part #  | Description   | QTY    | Remarks   |
|--------|---|---|--------|-----------|
| 1      | 10752 (GX160)<br>11047 (GX270)                  | BELT B26<br>BELT B28  | 1      | 7/20/2014 |
| 2      | 14285 (GX270)                                   | SHEAVE, MB58 X 3/4  | 1      | 7/20/2014 |
| 3      | 10206 (GX160)<br>11003 (GX270)                  | KEY 3/16 SQ X 1-7/8" LG<br>KEY 1/4 SQ X 2" LG   | 1      | 7/20/2014 |
| 6      | 10208   | KEY 3/16 SQ X 1/2" LG   | 1      | 7/20/2014 |
| 8      | 21822 (GX160)<br>21029-2 (GX270)                | CLUTCH, 3/4" BORE<br>CLUTCH, 1" BORE  | 1      | 7/20/2014 |
| 9      | 21067-1   | BELT GUARD  | 1      | 7/20/2014 |
| 13     | 21813<br>20447                                  | GUARD RING, BLUE<br>GUARD RING, CHROME  | 1      | 7/20/2014 |
| 21     | 11614   | WASHER, LOCK, M8  | 1      | 7/20/2014 |
| 22     | 11667   | WASHER, FLAT, M8  | 2      | 7/20/2014 |
| 23     | 31215   | WASHER, LOCK M10  | 1      | 7/20/2014 |
| 24     | 10317   | LOCKNUT 3/8"-16UNC  | 4      | 7/20/2014 |
| 26     | 11670 (GX160)<br>14227 (GX270)                  | STUD, M8-1.25 X 35MM<br>STUD, M10-1.5 X 40MM  | 4      | 7/20/2014 |
| 27     | 11615 (GX160)<br>11622 (GX270)                  | HEX NUT, M8-1.25<br>HEX NUT, M10-1.5  | 4      | 7/20/2014 |
| 28     | 11622   | HEX NUT, M10-1.5  | 1      | 7/20/2014 |
| 29     | 10999   | HHCS, M8-1.25 X 20MM LG   | 1      | 7/20/2014 |
| 31     | 10735   | WASHER, LOCK, M12   | 4      | 7/20/2014 |
| 32     | 11900   | HHCS, M12-1.75 X 25MM LG  | 4      | 7/20/2014 |
| 33     | 14267   | WASHER, FLAT, M12   | 4      | 7/20/2014 |
| 35     | 11339   | STUD, SELF-LOCKING, 3/8-16 X 1-3/4" LG  | 4      | 7/20/2014 |
| 42     | 20230C<br>20230E<br>20229C                      | HANDLE ASSEMBLY, FINE PITCH<br>HANDLE ASSEMBLY, EUROPEAN SPEC.<br>HANDLE ASSEMBLY, FOLDING HANDLE | 1      | 7/20/2014 |
| 43     | 11112   | MUFFLER CAP   | 1      | 7/20/2014 |
| 44     | 11115   | SCREW, MUFFLER CAP  | 2      | 7/20/2014 |
| 46     | 10402 (GX160)<br>N/A (GX270)                    | LOCKWASHER, 5/16", MEDIUM SPLIT<br>-  | 1<br>- | 7/20/2014 |
| 47     | 20289 (GX160)<br>N/A (GX270)                    | CLUTCH SLEEVE<br>-  | 1<br>- | 7/20/2014 |
| 48     | 981045 (GX160)<br>993480 (GX160)<br>N/A (GX270) | HHCS, 5/16-24NFx1-1/2" LG<br>HHCS, 5/16-24UNF X 1-3/4" LG (HOIST HOOK)                            | 1      | 7/20/2014 |
| 49     | 10919 (GX160)<br>N/A (GX270)                    | WASHER, FLAT, 5/16" DIA<br>-  | 4      | 7/20/2014 |
| 51     | 20189 (GX160)<br>20171 (GX270)                  | HOIST HOOK (OPTIONAL)   | 1      | 7/20/2014 |
| 52     | 30041   | FHSCS, 5/16"-24 X 3/4" (WITH HOIST HOOK)  | 4      | 7/20/2014 |
| 53     | 11254 (GX160)<br>N/A (GX270)                    | CLUTCH SPACER (WITH HOIST HOOK)   | 1      | 7/20/2014 |
|        | 01109-BC436-1                                   | DECAL KIT, BC436  | 1      |           |
|        | 01109-FAM-B                                     | ROUND BARTELL DECAL   | 1      |           |

## PARTS LIST 2 – WALK-BEHIND TROWELS

### BASE UNIT ASSEMBLY DIAGRAM: BC436





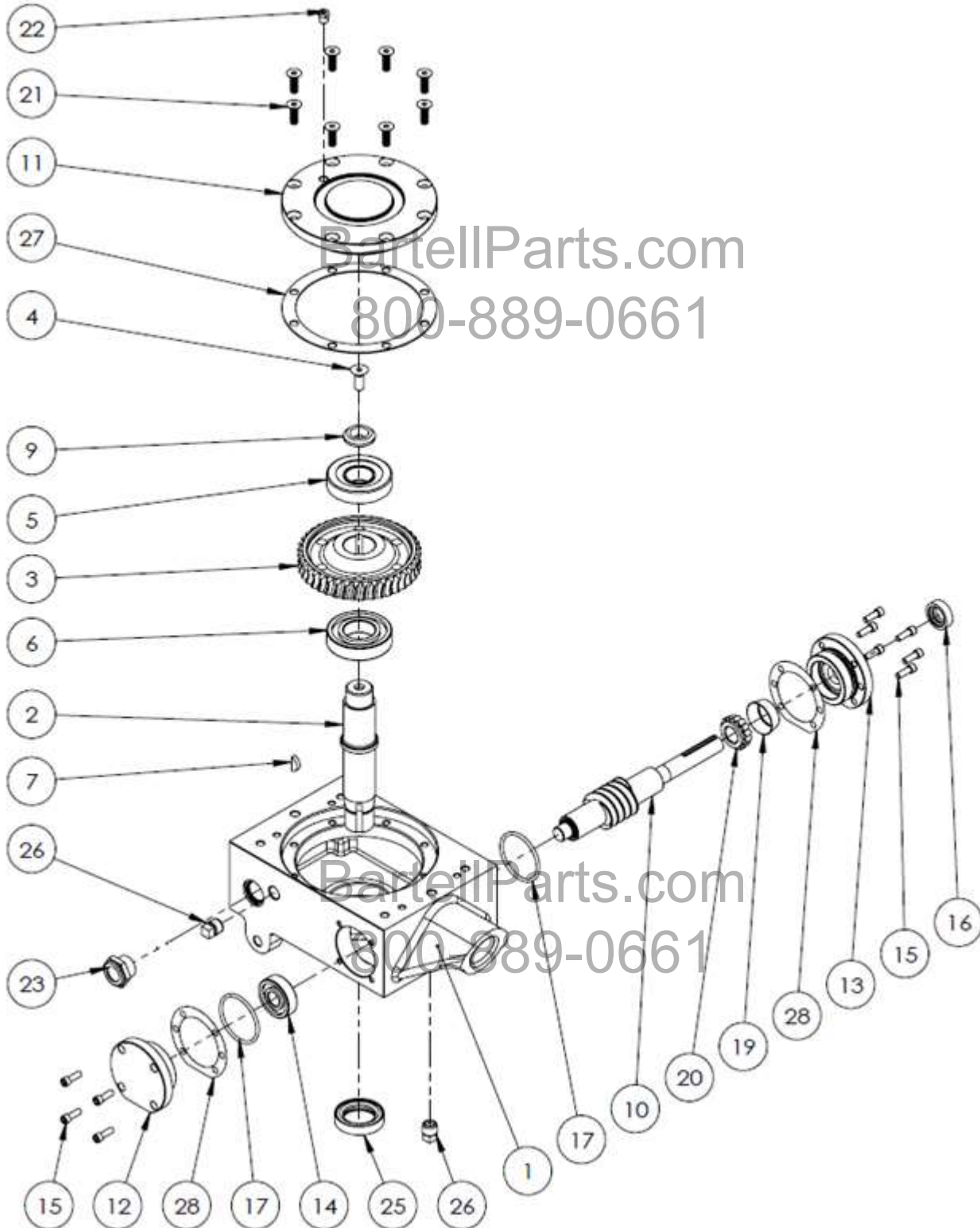
**BASE UNIT ASSEMBLY: BC436 - PARTS LIST 2**

| Item # | Part #  | Description                                | QTY | Remarks   |
|--------|---------|--|-----|-----------|
| 201    | 21814   | SPIDER PLATE ASSEMBLY (SEE PARTS LIST 4)   | 1   | 7/20/2014 |
| 202    | 21815   | GEARBOX ASSEMBLY (SEE PARTS LIST 3)        | 1   | 7/20/2014 |
| 203    | 20627   | PRESSURE PLATE ASSEMBLY (SEE PARTS LIST 5) | 1   | 7/20/2014 |
| 204    | 11690   | KEY, 6MM SQ x 30MM LG                      | 1   | 7/20/2014 |
| 205    | 10814   | SPIDER PLATE RETAINER                      | 1   | 7/20/2014 |
| 206    | 21799   | SHCS, M10 - 1.5 X 30MM LG                  | 1   | 7/20/2014 |
| 208    | 21817   | YOKE ARM                                   | 1   | 7/20/2014 |
| 209    | 21818   | YOKE PIN                                   | 1   | 7/20/2014 |
| 210    | 21819   | RETAINING RING                             | 2   | 7/20/2014 |
| 215    | 14227   | STUD, M10 - 1.5 x 40MM LG                  | 4   | 7/20/2014 |
| 216    | 11621   | WASHER, LOCK, M10                          | 4   | 7/20/2014 |
| 217    | 11622   | HEX NUT, M10-1.5                           | 4   | 7/20/2014 |
| 218    | 15344-1 | MOUNTING RAIL, FRONT                       | 1   | 7/20/2014 |
| 219    | 15345-1 | MOUNTING RAIL, REAR                        | 1   | 7/20/2014 |
| 220    | 31106   | SHCS, M8 - 1.25 x 20                       | 4   | 7/20/2014 |

BartellParts.com  
800-889-0661

**PARTS LIST 3 – WALK-BEHIND TROWELS**

**GEARBOX ASSEMBLY DIAGRAM: 21815**





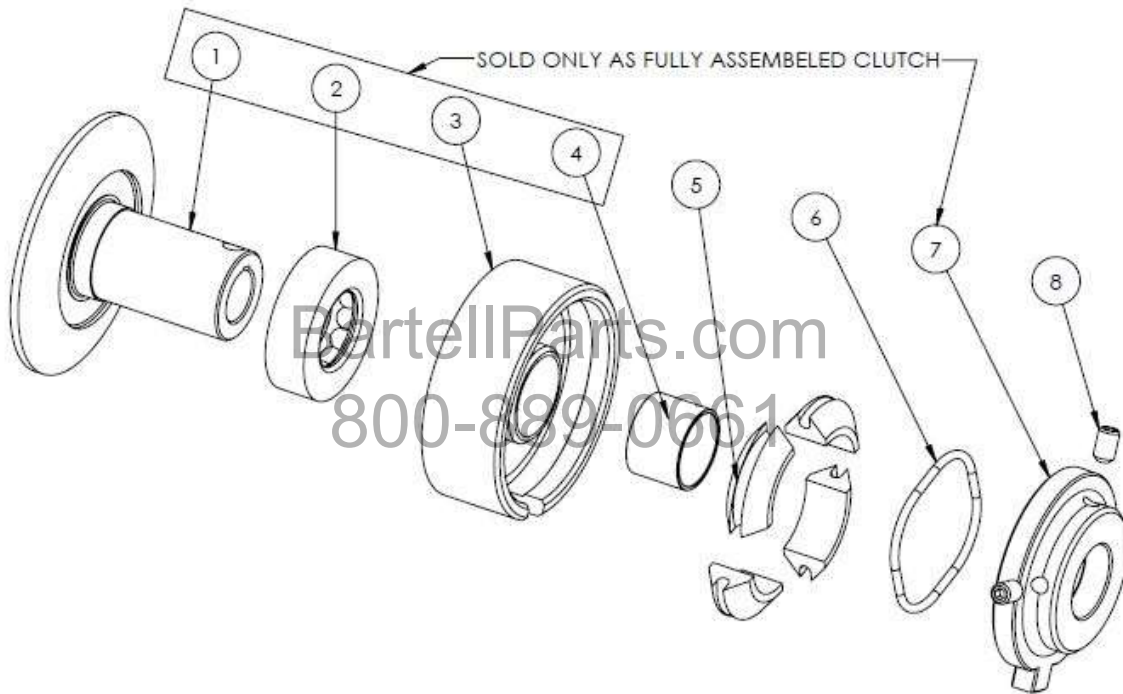
**GEARBOX ASSEMBLY: 21815 - PARTS LIST 3**

| Item # | Part #  | Description                | QTY | Remarks    |
|--------|---------|----------------------------|-----|------------|
| 1      | 21821   | GEARBOX HOUSING            | 1   | 07/20/2014 |
| 2      | 21782   | MAIN SHAFT                 | 1   | 07/20/2014 |
| 3      | 21781   | MAIN GEAR                  | 1   | 07/20/2014 |
| 4      | 10772   | FHSCS, M10-1.5 x 25MM (LH) | 1   | 07/20/2014 |
| 5      | 21787   | BEARING                    | 1   | 07/20/2014 |
| 6      | 21786   | BEARING                    | 1   | 07/20/2014 |
| 7      | 10769   | WOODRUFF KEY               | 1   | 07/20/2014 |
| 9      | 21734   | PRESSURE WASHER            | 1   | 07/20/2014 |
| 10     | 21784   | COUNTERSHAFT               | 1   | 07/20/2014 |
| 11     | 21780   | GEARBOX COVER              | 1   | 07/20/2014 |
| 12     | 21785   | END CAP                    | 1   | 07/20/2014 |
| 13     | 21783   | FLANGE                     | 1   | 07/20/2014 |
| 14     | 21794   | BEARING                    | 1   | 07/20/2014 |
| 15     | 31135   | SHCS, M6-1.0 x 16MM        | 8   | 07/20/2014 |
| 16     | 21749   | OIL SEAL                   | 1   | 07/20/2014 |
| 17     | 21791   | SM O-RING                  | 2   | 07/20/2014 |
| 19     | 21792   | BEARING CUP                | 1   | 07/20/2014 |
| 20     |         | BEARING CONE               |     |            |
| 21     | 21742   | SHCS, M6-1.0 X 15MM        | 8   | 07/20/2014 |
| 22     | 21736   | RELIEF VALVE               | 1   | 07/20/2014 |
| 23     | 21750   | SIGHT PLUG                 | 1   | 07/20/2014 |
| 25     | 21788   | OIL SEAL                   | 1   | 07/20/2014 |
| 26     | 21747   | PLUG                       | 2   | 07/20/2014 |
| 27     | 21840-1 | GASKET, COVER, 0.1MM       | A/R | 07/20/2014 |
|        | 21840-2 | GASKET, COVER, 0.2MM       |     |            |
| 28     | 21841-1 | GASKET, FLANGE, 0.1MM      | A/R | 07/20/2014 |
|        | 21841-2 | GASKET, FLANGE, 0.2MM      |     |            |

BartellParts.com  
800-889-0661

## PARTS LIST 4- WALK-BEHIND TROWELS

### BC436 CLUTCH ASSEMBLY DIAGRAM: 21822, 21029-2



### BC436 CLUTCH ASSEMBLY: 21822 (3/4" SHAFT) – PARTS LIST 4

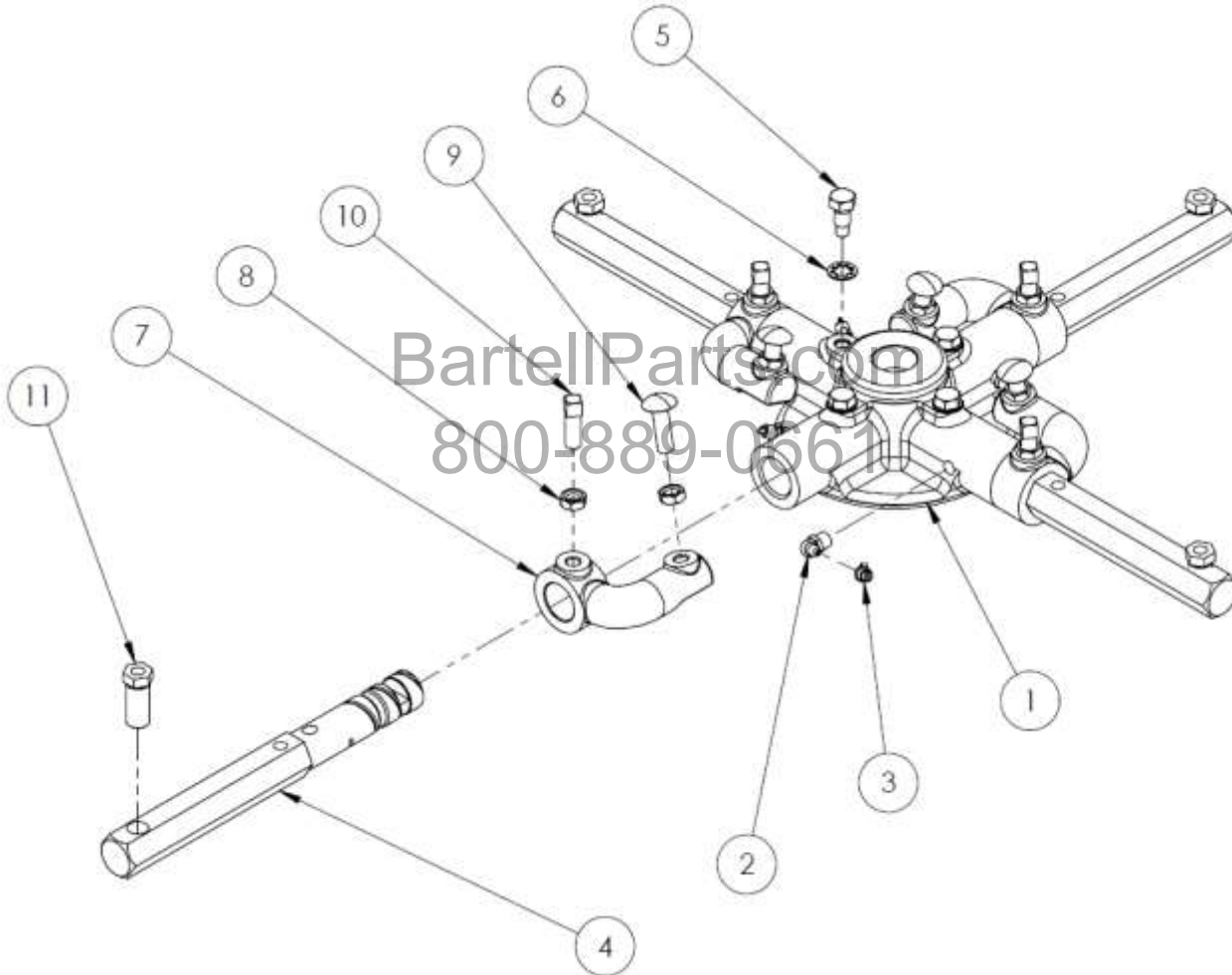
| Item # | Part # | Description    | QTY | Remarks                |
|--------|--------|----------------|-----|------------------------|
| 1      | 21824  | SPINDLE        | 1   | PART OF ASSEMBLY 21822 |
| 2      | 21826  | BEARING        | 1   | PART OF ASSEMBLY 21822 |
| 3      | 21827  | DRUM W/BUSHING | 1   | PART OF ASSEMBLY 21822 |
| 4      |        | BUSHING        | 1   | PART OF ASSEMBLY 21822 |
| 5      | 21828  | WEIGHT (SHOE)  | 4   |                        |
| 6      | 21829  | SPRING         | 1   |                        |
| 7      | 21830  | FACE PLATE     | 1   | PART OF ASSEMBLY 21822 |
| 8      | 21831  | SET SCREW      | 2   |                        |

### BC436 CLUTCH ASSEMBLY: 21029-2 (1" SHAFT) – PARTS LIST 4

| Item # | Part # | Description           | QTY | Remarks                  |
|--------|--------|-----------------------|-----|--------------------------|
| 1      | 11045  | SPINDLE               | 1   | PART OF ASSEMBLY 21029-2 |
| 2      | 11044  | BEARING               | 1   | PART OF ASSEMBLY 21029-2 |
| 3      | 21046  | DRUM W/BUSHING        | 1   | PART OF ASSEMBLY 21029-2 |
| 4      | 11012  | BUSHING               | 1   | PART OF ASSEMBLY 21029-2 |
| 5      | 11014  | WEIGHT (SHOE)         | 4   |                          |
| 6      | 10759  | SPRING                | 1   |                          |
| 7      | 11015  | FACE PLATE            | 1   | PART OF ASSEMBLY 21029-2 |
| 8      | 50117  | SET SCREW 5/16-18 UNC | 2   |                          |

## PARTS LIST 5 – WALK-BEHIND TROWELS

### SPIDER PLATE ASSEMBLY DIAGRAM: 21814



### SPIDER PLATE ASSEMBLY: 21814 – PARTS LIST 5

| Item # | Part # | Description                        | QTY | Remarks    |
|--------|--------|------------------------------------|-----|------------|
| 1      | 21797  | SPIDER PLATE                       | 1   | 07/20/2014 |
| 2      | 21769  | GREASE FITTING                     | 4   | 07/20/2014 |
| 3      | 10822  | CAP GREASE, NIPPLE, 1/8 ALEMITE    | 4   | 07/20/2014 |
| 4      | 21812  | TROWEL ARM                         | 4   | 07/20/2014 |
| 5      | 21766  | HHCS, DOG POINT, M8-1.25 x 20MM    | 4   | 07/20/2014 |
| 6      | 10805  | LOCKWASHER                         | 4   | 07/20/2014 |
| 7      | 21798  | LIFT LEVER                         | 4   | 07/20/2014 |
| 8      | 21764  | HEX JAM NUT, M10-1.5               | 8   | 07/20/2014 |
| 9      | 21767  | CARRIAGE BOLT, M10-1.5 x 35MM      | 4   | 07/20/2014 |
| 10     | 21765  | SQ. HEAD SET SCREW, M10-1.5 x 30MM | 4   | 07/20/2014 |
| 11     | 21811  | ADJUSTING SCREW, 30MM              | 4   | 07/20/2014 |
| 12     | 11901  | O-RING, 3MM x 24MM ID              | 4   | 07/20/2014 |



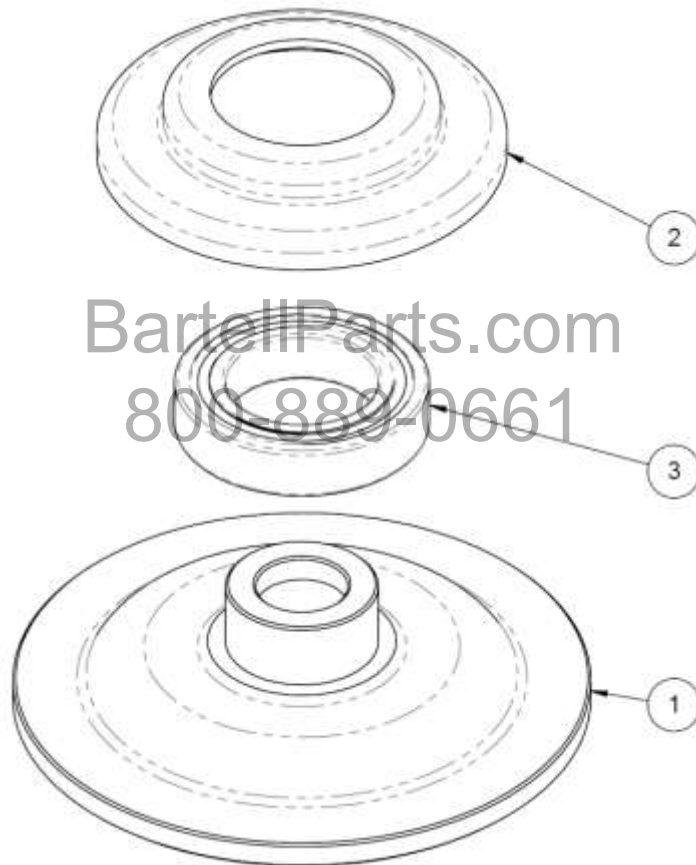
BartellParts.com  
800-889-0661

**This Page Intentionally Left Blank**

BartellParts.com  
800-889-0661

## PARTS LIST 6 – WALK-BEHIND TROWELS

### PRESSURE PLATE ASSEMBLY DIAGRAM: 20627

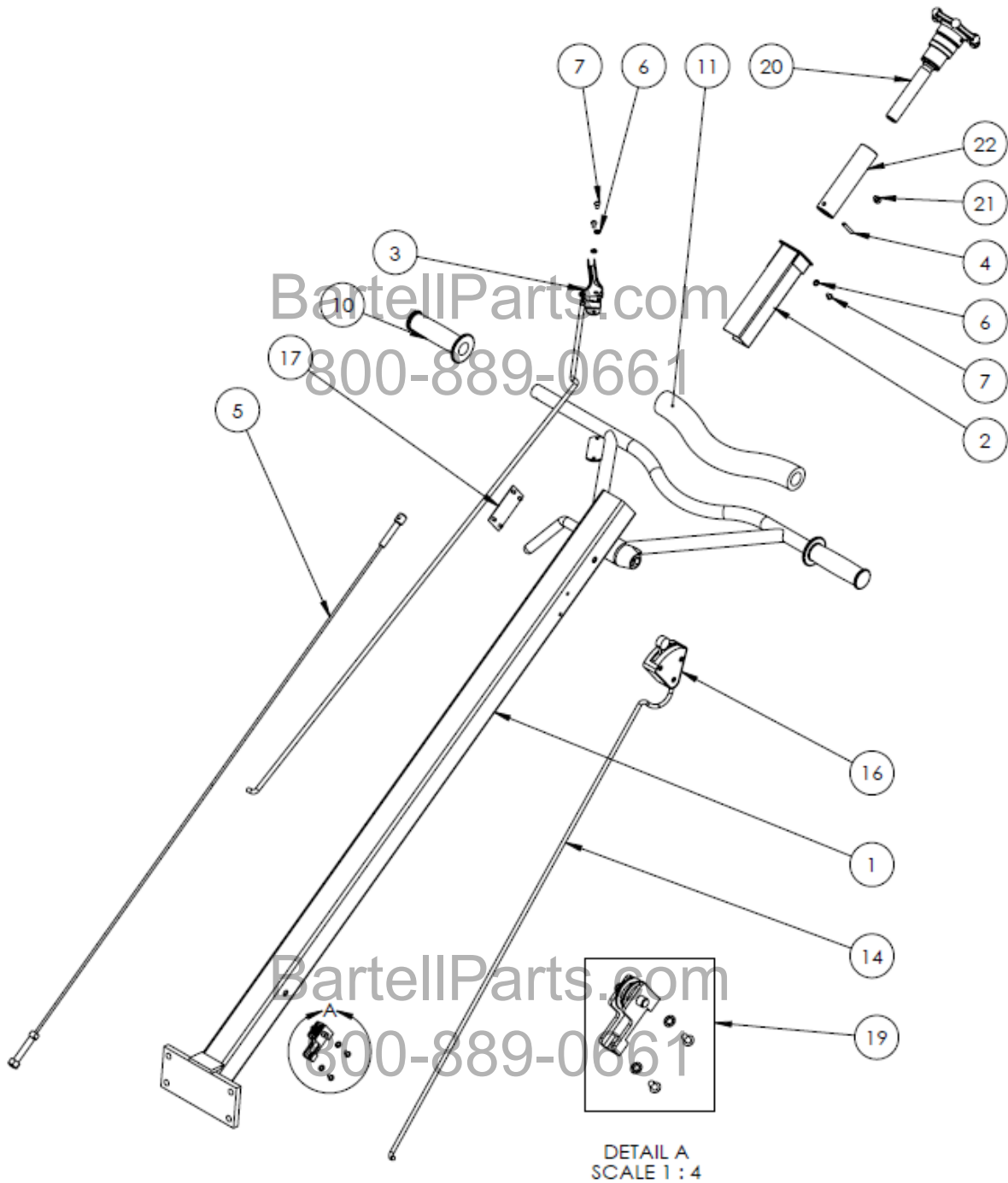


### PRESSURE PLATE ASSEMBLY: 20627 – PARTS LIST 6

| Item # | Part # | Description        | QTY | Remarks   |
|--------|--------|--------------------|-----|-----------|
| 1      | 10660  | PRESSURE PLATE     | 1   | 7/20/2014 |
| 2      | 10664  | THRUST BEARING P/P | 1   | 7/20/2014 |
| 3      | 10668  | PRESSURE PLATE CAP | 1   | 7/20/2014 |

## PARTS LIST 7 – WALK-BEHIND TROWELS

### HANDLE ASSEMBLY DIAGRAM: 20230C FINE PITCH





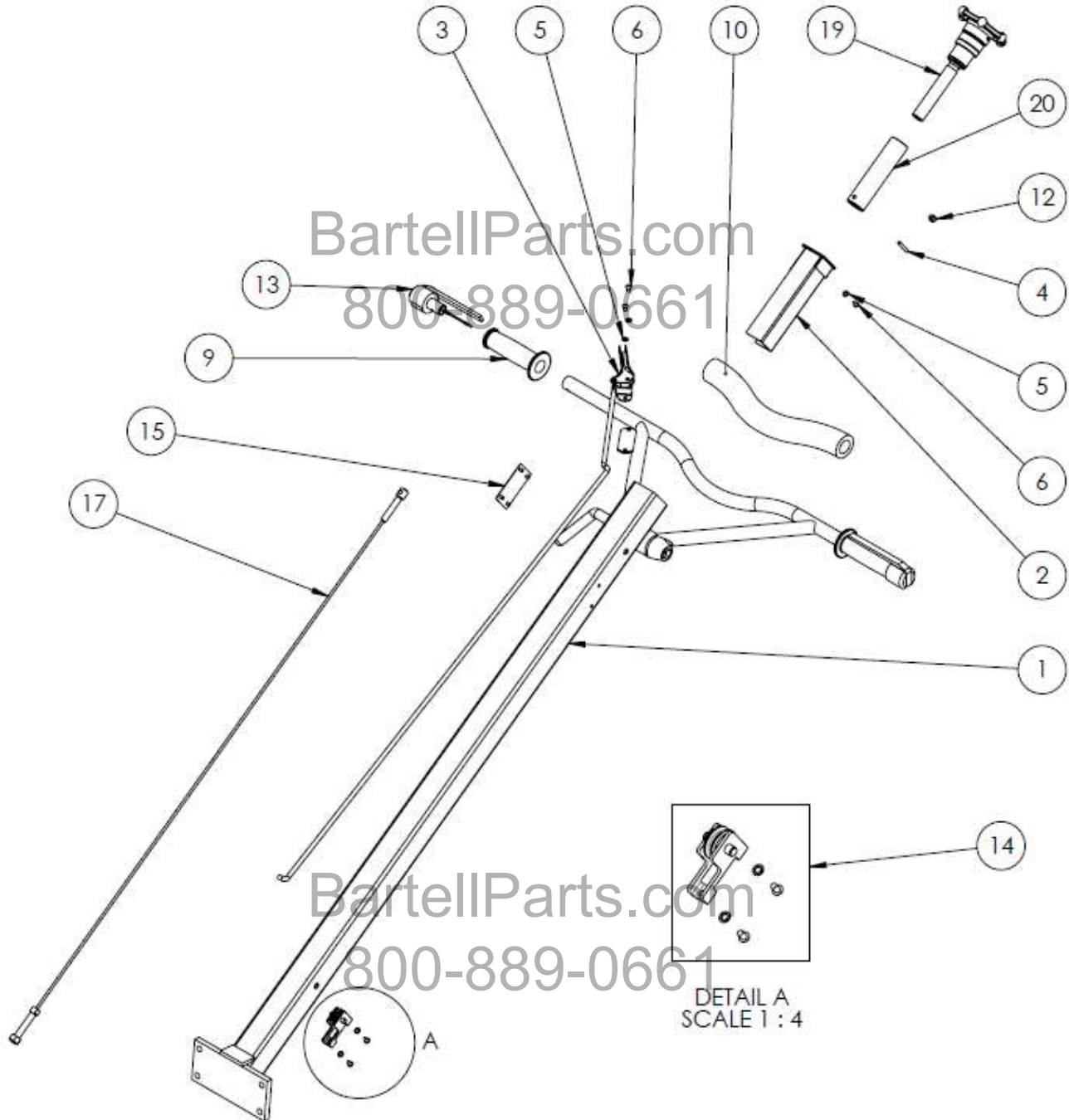
**HANDLE ASSEMBLY: 20230C FINE PITCH - PARTS LIST 7**

| Item # | Part #      | Description                                  | QTY | Remarks    |
|--------|-------------|--|-----|------------|
| 1      | 20230C      | MEDIUM STRAIGHT HANDLE, FULLY ASSEMBLED      | 1   | 10/01/2014 |
| 2      | 20112       | PITCH INSERT                                 | 1   | 10/01/2014 |
| 3      | 10895       | THROTTLE LEVER ASSEMBLY                      | 1   | 10/01/2014 |
| 4      | 21724       | PIN 3/16"DIA X 1-1/4"LG                      | 1   | 10/01/2014 |
| 5      | 20331       | PITCH CONTROL CABLE, 42-1/32", 3/8-16 THREAD | 1   | 10/01/2014 |
| 6      | 10703       | LOCK WASHER, INTERNAL TOOTH, #10             | 3   | 10/01/2014 |
| 7      | 21728       | RHMS, M5-0.8 X 8MM LG                        | 3   | 10/01/2014 |
| 10     | 21717       | HANDLE GRIP                                  | 2   | 10/01/2014 |
| 11     | 21721       | CROSSBAR PAD                                 | 1   | 10/01/2014 |
| 14     | 20702       | 66" WIRE ASSEMBLY                            | 1   | 10/01/2014 |
| 16     | 21729       | SAFETY SWITCH                                | 1   | 10/01/2014 |
| 17     | 20111       | COVER PLATE                                  | 1   | 10/01/2014 |
| 19     | 20288       | PULLEY ASSEMBLY *INCLUDES PARTS BELOW*       | 1   | 10/01/2014 |
| 20     | 21720       | ASSY, HAND KNOB                              | 1   | 10/01/2014 |
| 21     | 21725       | M6-1.0 X 6MM LG                              | 1   | 10/01/2014 |
| 22     | 21722       | THREADED SLIDE BUSHING                       | 1   | 10/01/2014 |
|        | 10525-SQCOM | BARTELL DECAL KIT                            | 1   |            |

BartellParts.com  
800-889-0661

## PARTS LIST 8 – WALK-BEHIND TROWELS

HANDLE ASSEMBLY DIAGRAM: 20230E EUROPEAN SPEC.





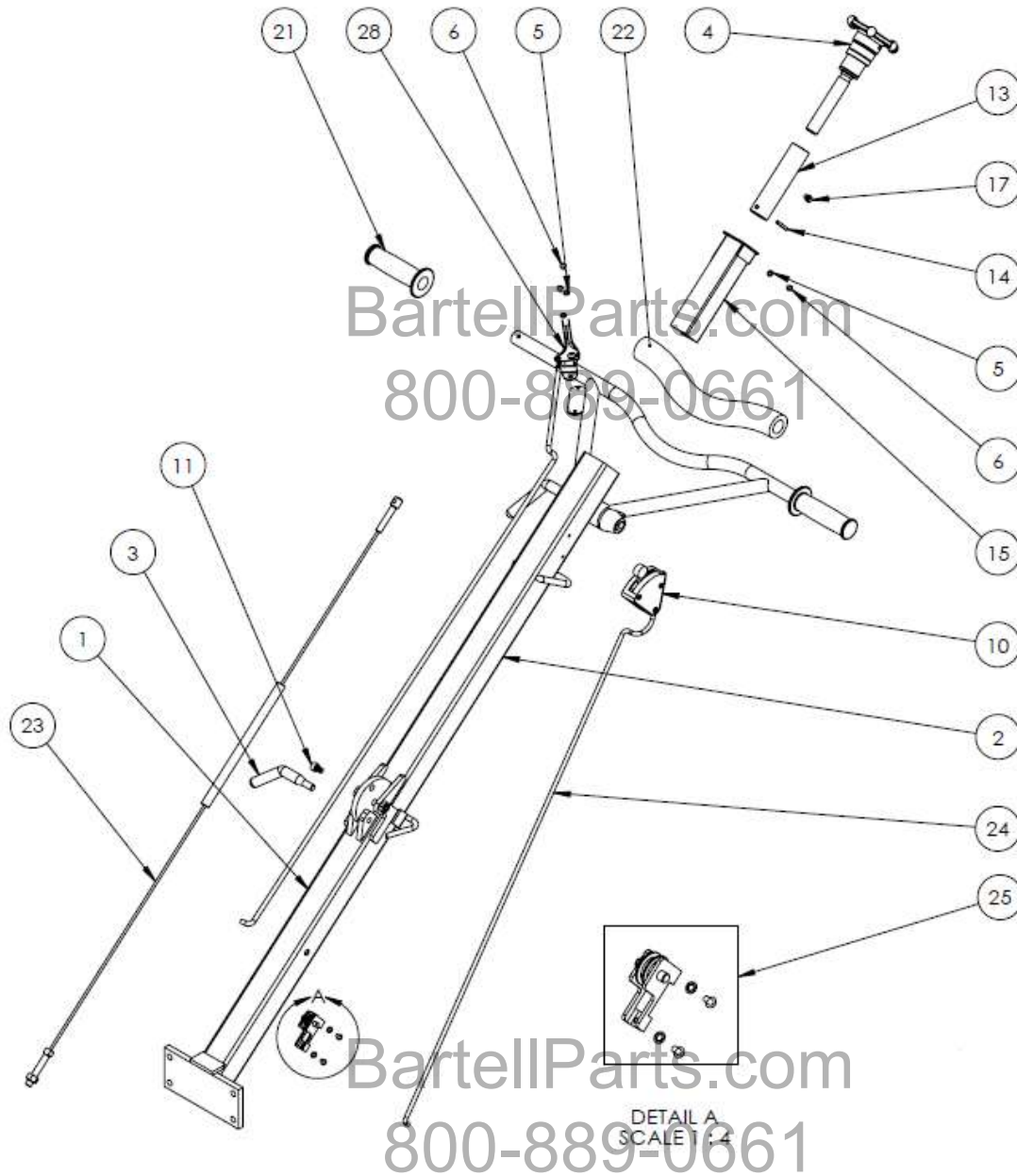
**HANDLE ASSEMBLY: 20230E EUROPEAN SPEC. - PARTS LIST 8**

| Item # | Part #      | Description                             | QTY | Remarks    |
|--------|-------------|---|-----|------------|
| 1      | 20230E      | MEDIUM STRAIGHT HANDLE, FULLY ASSEMBLED | 1   | 10/01/2014 |
| 2      | 20112       | PITCH INSERT                            | 1   | 10/01/2014 |
| 3      | 10508       | THROTTLE LEVER ASSEMBLY                 | 1   | 10/01/2014 |
| 4      | 21724       | PIN 3/16"DIA X 1-1/4"LG                 | 1   | 10/01/2014 |
| 5      | 10703       | LOCK WASHER, INTERNAL TOOTH, #10        | 3   | 10/01/2014 |
| 6      | 21728       | RHMS, M5-0.8 X 8MM LG                   | 3   | 10/01/2014 |
| 9      | 21717       | HANDLE GRIP                             | 2   | 10/01/2014 |
| 10     | 21721       | CROSSBAR PAD                            | 1   | 10/01/2014 |
| 12     | 21725       | M6-1.0 X 6MM LG                         | 1   | 10/01/2014 |
| 13     | 11852       | SAFETY SWITCH, PIGTAIL WIRES            | 2   | 10/01/2014 |
| 14     | 20288       | PULLEY ASSEMBLY                         | 1   | 10/01/2014 |
| 15     | 20113       | PITCH FACEPLATE                         | 1   | 10/01/2014 |
| 17     | 20335       | PITCH CONTROL CABLE, 42-13/32", M10-1.5 | 1   | 10/01/2014 |
| 19     | 21714       | HAND KNOB ASSEMBLY                      | 1   | 10/01/2014 |
| 20     | 21722       | THREADED SLIDE BUSHING                  | 1   | 10/01/2014 |
|        |             | EURO WIRE ASSEMBLY                      | 1   | 10/01/2014 |
|        | 10525-SQCOM | BARTELL DECAL KIT                       | 1   |            |
|        |             |   |     |            |

BartellParts.com  
800-889-0661

## PARTS LIST 9 – WALK-BEHIND TROWELS

### FOLDING HANDLE ASSEMBLY DIAGRAM: 20229C





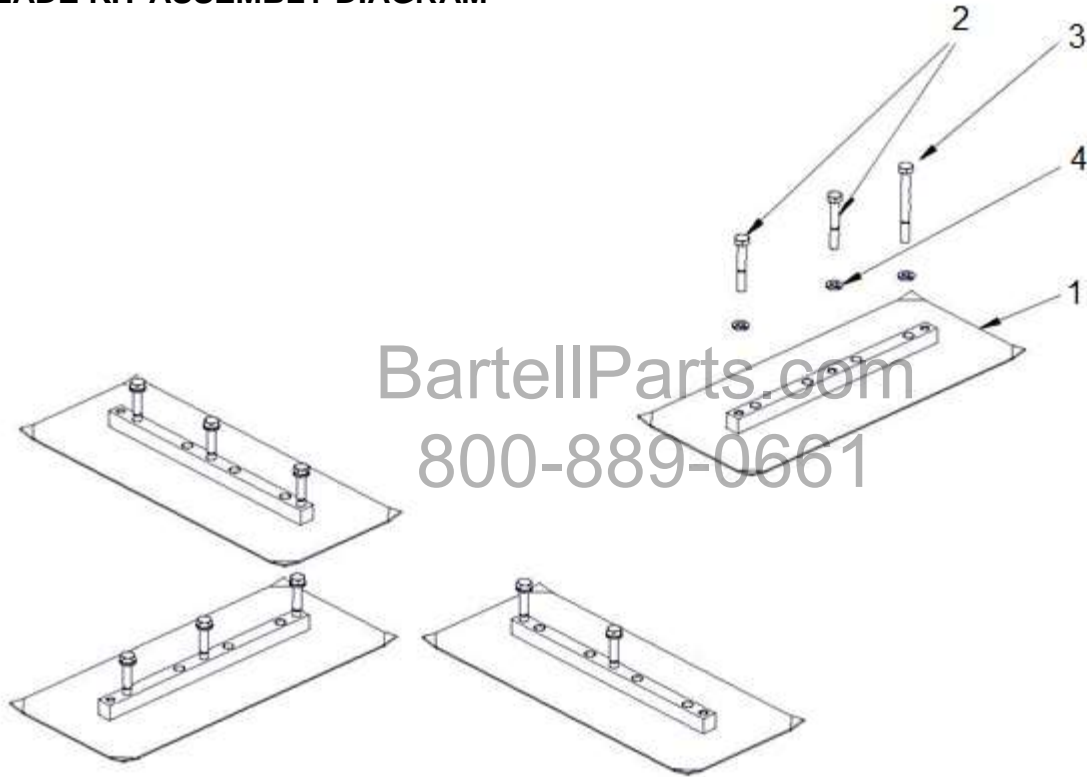
**FOLDING HANDLE ASSEMBLY: 20229C – PARTS LIST 9**

| Item # | Part #      | Description                      | QTY | Remarks   |
|--------|-------------|----------------------------------|-----|-----------|
| 2      | 20229       | FOLDING HANDLE, FULLY ASSEMBLED  | 1   | 1/21/2015 |
| 3      | 20195       | THREADED PIN                     | 1   | 1/21/2015 |
| 4      | 21714       | HAND KNOB ASSEMBLY               | 1   | 1/21/2015 |
| 5      | 10703       | LOCK WASHER, INTERNAL TOOTH, #10 | 5   | 1/21/2015 |
| 6      | 21728       | RHMS, M5-0.8x8MM LG              | 5   | 1/21/2015 |
| 10     | 21847       | SAFETY SWITCH                    | 1   | 1/21/2015 |
| 11     | 51010       | SHCS, M8-1.25X12MM LG            | 2   | 1/21/2015 |
| 13     | 21722       | THREADED SLIDE BUSHING           | 1   | 1/21/2015 |
| 14     | 21724       | PIN 3/16" DIA x1-1/4" LG         | 1   | 1/21/2015 |
| 15     | 20112       | PITCH INSERT                     | 1   | 1/21/2015 |
| 17     | 21725       | M6-1.0 x 6MM LG                  | 1   | 1/21/2015 |
| 21     | 21717       | HANDLE GRIP                      | 2   | 1/21/2015 |
| 22     | 21721       | CROSSBAR PAD                     | 1   | 1/21/2015 |
| 23     | 20273       | PITCH CONTROL CABLE              | 1   | 1/21/2015 |
| 24     | 20703       | 66" WIRE ASSY                    | 1   | 1/21/2015 |
| 25     | 20287       | PULLEY ASSEMBLY                  | 1   | 1/21/2015 |
| 28     | 10508       | THROTTLE LEVER ASSEMBLY          | 1   | 1/21/2015 |
|        | 10525-SQCOM | BARTELL DECAL KIT                | 1   |           |

BartellParts.com  
800-889-0661

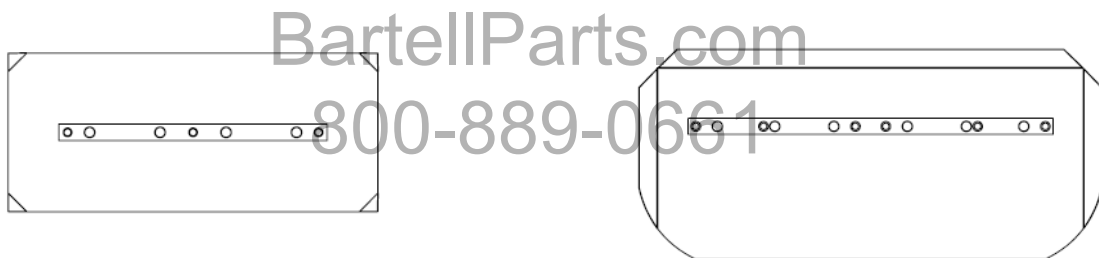
## PARTS LIST 10 – WALK-BEHIND TROWELS

### BLADE KIT ASSEMBLY DIAGRAM



### BC436 BLADE KIT – PARTS LIST 10

| Item # | Part # | Description          | QTY | Remarks    |
|--------|--------|----------------------|-----|------------|
| 1      | -      | TROWEL BLADE         | 4   | 08/04/2007 |
| 2      | 10452  | HHCS, M8-1.25 X 40MM | 8   | 08/04/2007 |
| 3      | 10453  | HHCS, M8-1.25 X 50MM | 4   | 08/04/2007 |
| 4      | 11614  | LOCK WASHER, M8      | 12  | 08/04/2007 |



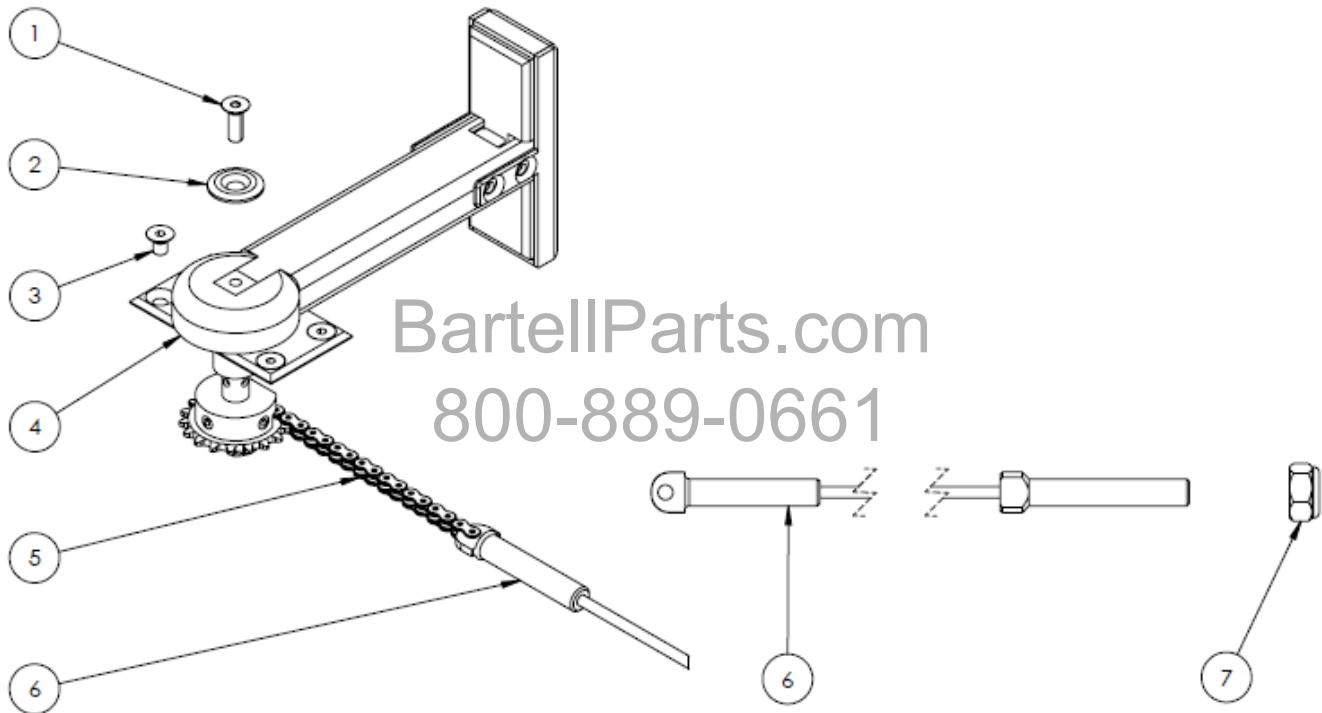
**STANDARD FINISHING BLADE**

**STANDARD COMBINATION BLADE**

| Part # | Dimensions                 | Part # | Dimensions                 |
|--------|----------------------------|--------|----------------------------|
| 20414  | 6" x 14" (15.2CM x 35.6CM) | 20479  | 8" x 14" (20.3CM x 35.6CM) |

## PARTS LIST 11: WALK-BEHIND TROWELS

### EASY PITCH ASSEMBLY DIAGRAM: 20258



### EASY PITCH: 20258 - PARTS LIST 11

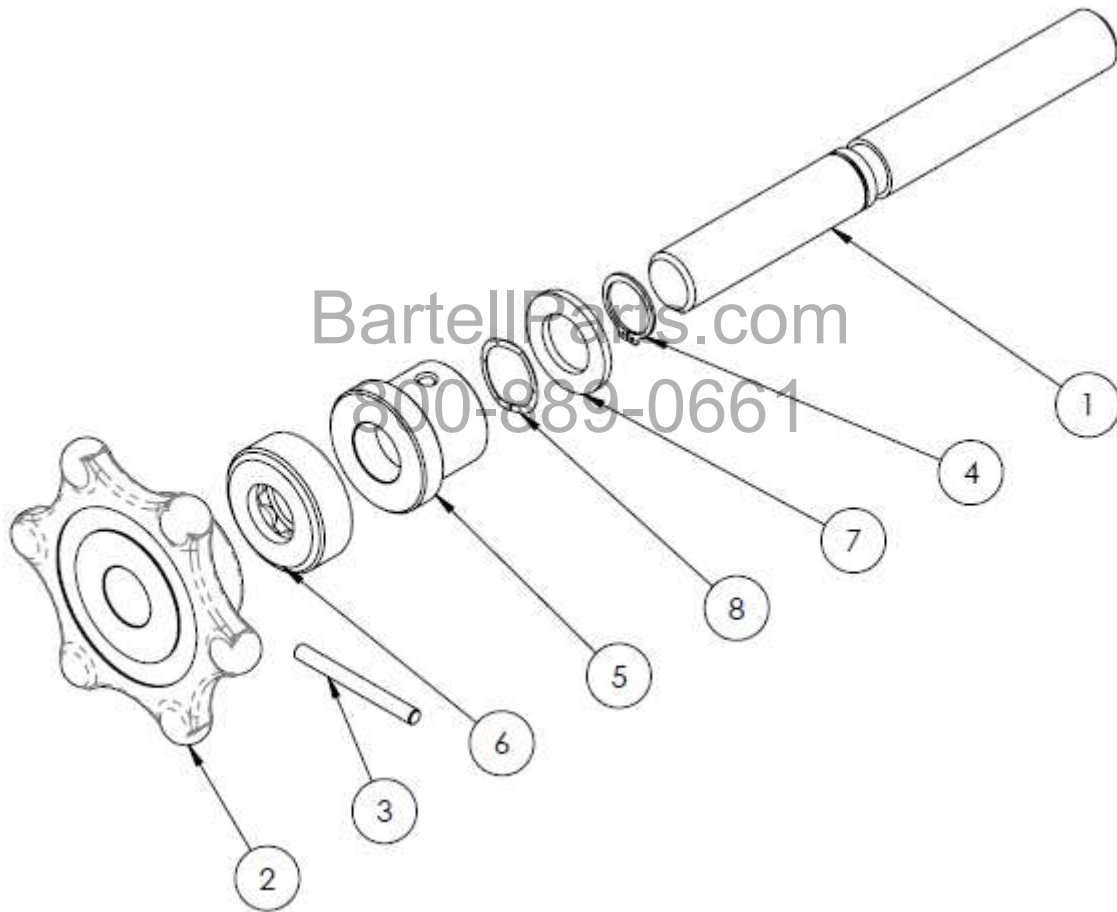
| Item # | Part # | Description             | QTY | Remarks    |
|--------|--------|-------------------------|-----|------------|
| 1      | 20226  | FHCS, M5-0.8 X 15MM     | 2   | 08/04/2007 |
| 2      | 20208  | WASHER, M5, 3.5MM THICK | 2   |            |
| 3      | 20227  | FHCS, M5-0.8 X 10 MM    | 4   | 08/04/2007 |
| 4      | 20270  | HANDLE ASSEMBLY         | 1   | 08/04/2007 |
| 5      | 20209  | CHAIN ASSEMBLY, #25     | 1   |            |
| 6      | 20333  | PITCH CONTROL CABLE     | 1   |            |
| 7      | 11802  | LOCK NUT, M10-1.5       | 1   |            |

800-889-0661

\*SOLD AS ASSEMBLY ONLY\*

## PARTS LIST 12 – WALK-BEHIND TROWELS

### HAND KNOB ASSEMBLY DIAGRAM: 21714



### HAND KNOB ASSEMBLY: 21714 – PARTS LIST 12

| Item # | Part # | Description     | QTY | Remarks   |
|--------|--------|-----------------|-----|-----------|
| 1      | 21713  | SCREW SHAFT     | 1   | 1/21/2015 |
| 2      | 21707  | KNOB            | 1   | 1/21/2015 |
| 3      | 21708  | PIN, SPRING     | 1   | 1/21/2015 |
| 4      | 21712  | RETAINER        | 1   | 1/21/2015 |
| 5      | 21710  | BUSHING, HANDLE | 1   | 1/21/2015 |
| 6      | 21709  | BEARING, THRUST | 1   | 1/21/2015 |
| 7      | 21711  | WASHER          | 1   | 1/21/2015 |
| 8      | 21849  | WASHER, WAVE    | 1   | 1/21/2015 |