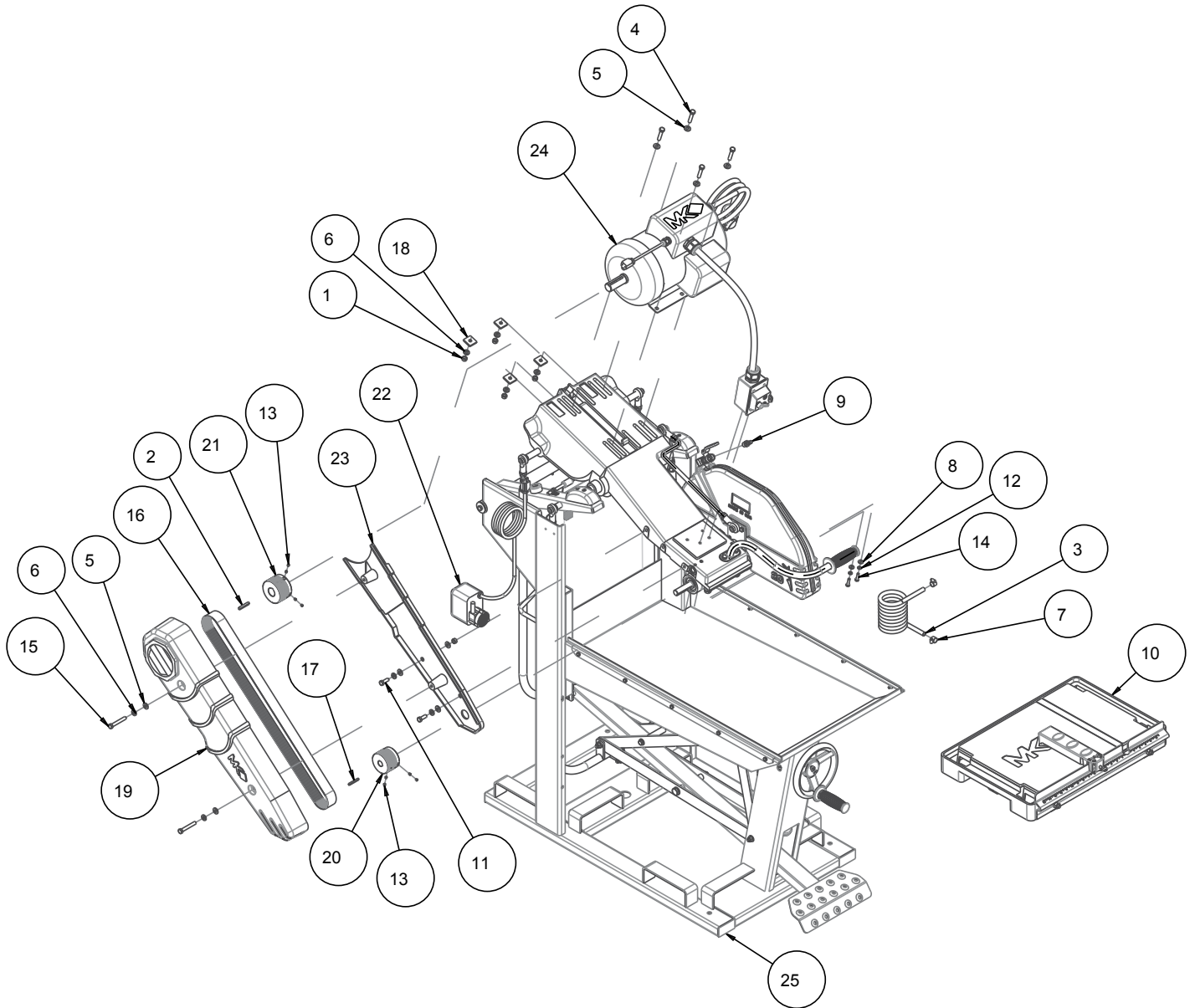


FIGURE 1 - MK-5005S BLOCK SAW 1PH 208-230V 20" BG P/N 160634



SUBSTITUTION TABLE		ITEM 9	ITEM 20	ITEM 25
SAW P/N	DESCRIPTION			
160634-14	MK-5005S BLOCK SAW 5HP 1PH 208-230V 14" BG	165183	160364	172445-14 (Pg. 10)

FIGURE 1 - MK-5005S BLOCK SAW 1PH 208-230V 20" BG P/N 160634

ITEM	DESCRIPTION	PART #	QTY
1	NUT, HEX, 3/8-16	101188	5
2	KEY, 1/4 SQR X 1-3/4	150796	1
3	HOSE, WATER VINYL, 3/8 X 1/2 (72.0")	150845	1
4	SCREW, HEX HD, 3/8-16 X 1-3/4	150920	4
5	WASHER, FLAT, SAE, 3/8	150923	9
6	WASHER, LOCK, SPLIT, 3/8	150925	8
7	CLAMP, HOSE, 5/8	151198	2
8	WASHER, FLAT, SAE, 1/4	151915	2
9	FITTING, 3/8 MNPT X 3/8 BARB	152076	1
10	ASSY, TABLE MK5000 (Pg. 22)	152124	1
11	SCREW, HEX HD CAP, 3/8-16 X 1	152507	2
12	WASHER, LOCK, SPLIT, 1/4	152591	2
13	SCREW, SET, CUP PT, 5/16-18 X 1/4	152607	8
14	SCREW, HEX HD, TAP, 1/4-20X1	152676	2
15	BOLT, 3/8-16 X 2-1/2 HEX HEAD TAP	155589	2
16	BELT, 16J610	156551	1
17	KEY, 3/16 X 3/16 X 1-3/4	157561	1
18	WASHER, SQR, 7/16 X 1-1/4 X 3/16	157567	4
19	CSTG, 5000 OUTER BELT GRD-COMP	159954	1
20	PULLEY, 16J28 X .75 BORE	160362	1
21	PULLEY, 16J31 X 1-1/8 BORE	160412	1
22	PUMP, 300GPH, 115V 60HZ	160509	1
23	CASTING, INNER BLT GRD-COMP	162516	1
24	ASSY, MTR, 5HP 230V 60HZ 1 PH 1725RPM (Pg. 24)	172444	1
25	ASSY, BASE, STD DTY 20" BLD GRD (Pg. 12)	172445-20	1

FIGURE 3 - MK-5000 ASSY, BASE, STANDARD DUTY PARENT BLOCK SAW P/N 172445

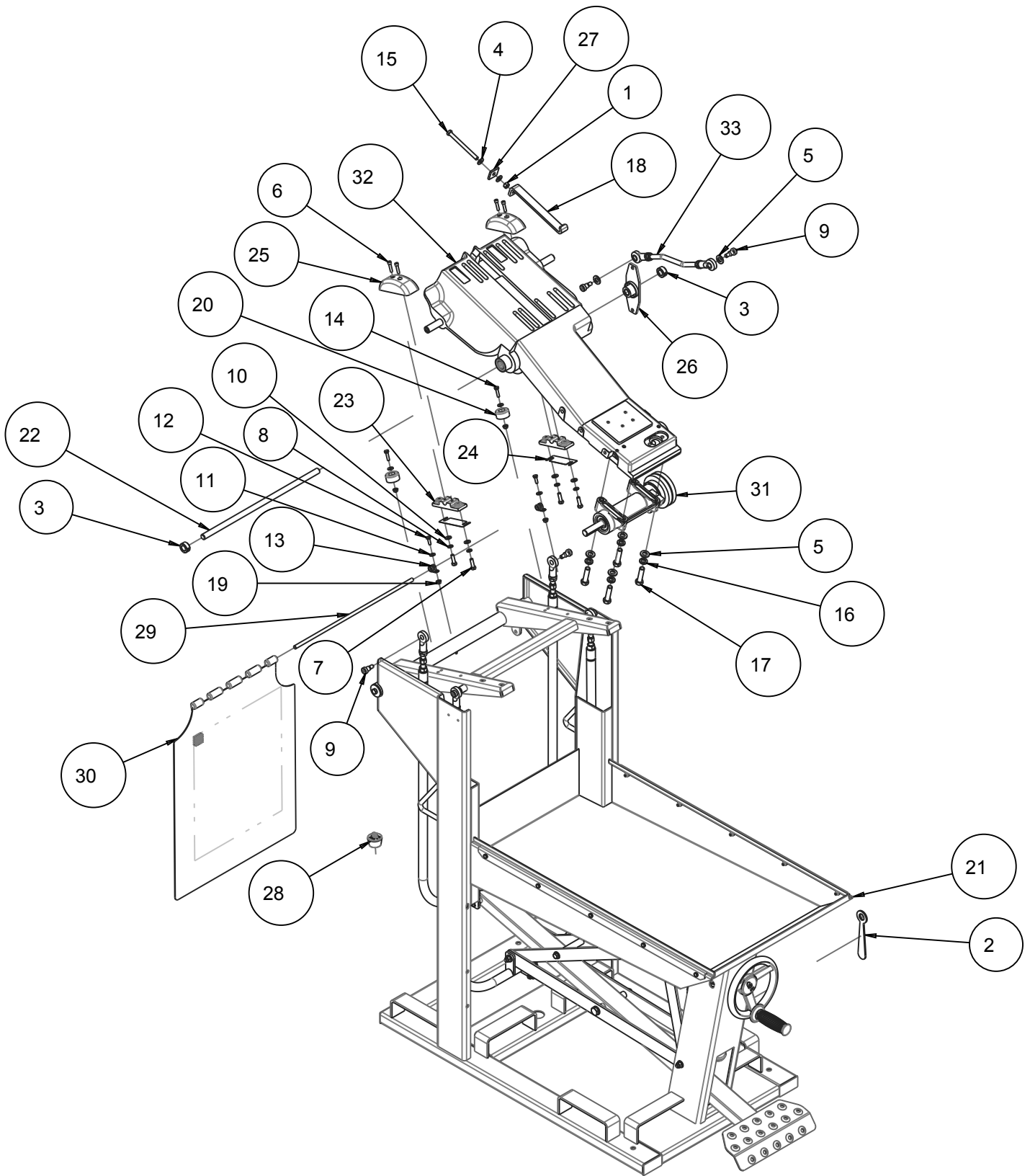


FIGURE 3 - MK-5000 ASSY, BASE, STANDARD DUTY PARENT BLOCK SAW P/N 172445

ITEM	DESCRIPTION	PART #	QTY
1	NUT, HEX, 3/8-16	101188	1
2	WRENCH, 3/4 BOX END	134056	1
3	COLLAR, 1.13 ODX.625ID .5 WIDE	140012	2
4	WASHER, FLAT, SAE, 3/8	150923	2
5	WASHER, 1/2 SAE FLAT	150924	6
6	SCREW, SOC HD CAP, 1/4 - 20 X 1	151049	4
7	SCREW, HEX HD, 5/16-18X1	151743	4
8	WASHER, LOCK, SPLIT, 5/16	151747	4
9	SCREW, SHOULDER, 1/2 X 1/2	151753	4
10	WASHER, FLAT, SAE, 5/16	151754	4
11	WASHER, FLAT, SAE, 1/4	151915	4
12	SCREW, HEX HD, 1/4-20X3/4	152370	2
13	CLAMP, CUSHION LOOP 3/8	152592	2
14	SCREW, HEX HD, TAP, 1/4 -20 X 1	152676	2
15	SCREW, HEX HD, TAP, 3/8-16 X 4-1/2	153110	1
16	WASHER, 1/2 SPLIT LOCK	153524	4
17	SCREW, HEX HD 1/2-13X2	153533	4
18	STRAP, MOTOR ADJUSTMENT	153611	1
19	NUT, HEX, TW, 1/4-20	153941	4
20	BUMPER, 1/4 ID X 1-1/2OD X 3/4	154496	2
21	ASSY, FRAME (Pg 14-18)	154629	1
22	SHAFT, PIVOT, CUTTING HEAD	154828	1
23	PILLOW BLOCK (COMP)	155762	2
24	SHIM, .025 PILLOW BLOCK	155905	2
25	BLOCK COVER (COMP)	156265	2
26	CRANK, BELL	157426	1
27	WASHER, SQR, 7/16 X 1-1/4 X 3/16	157567	1
28	DRAIN PLUG, W/RING	159529	1
29	ROD, SPLASH CURTAIN	160711	1
30	CURTAIN, SPLASH, MK-5000	160764	1
31	ASSY, ARBOR, STD, MK-5000 (Pg 19)	161308	1
32	ASSY, CUTTING HEAD, STD	162545	1
33	ASSY, ARM, REAR (Pg 21)	172537	1

FIGURE 4 - MK-5000 ASSY, BASE, STANDARD DUTY 14" BLADE GUARD P/N 172445-14

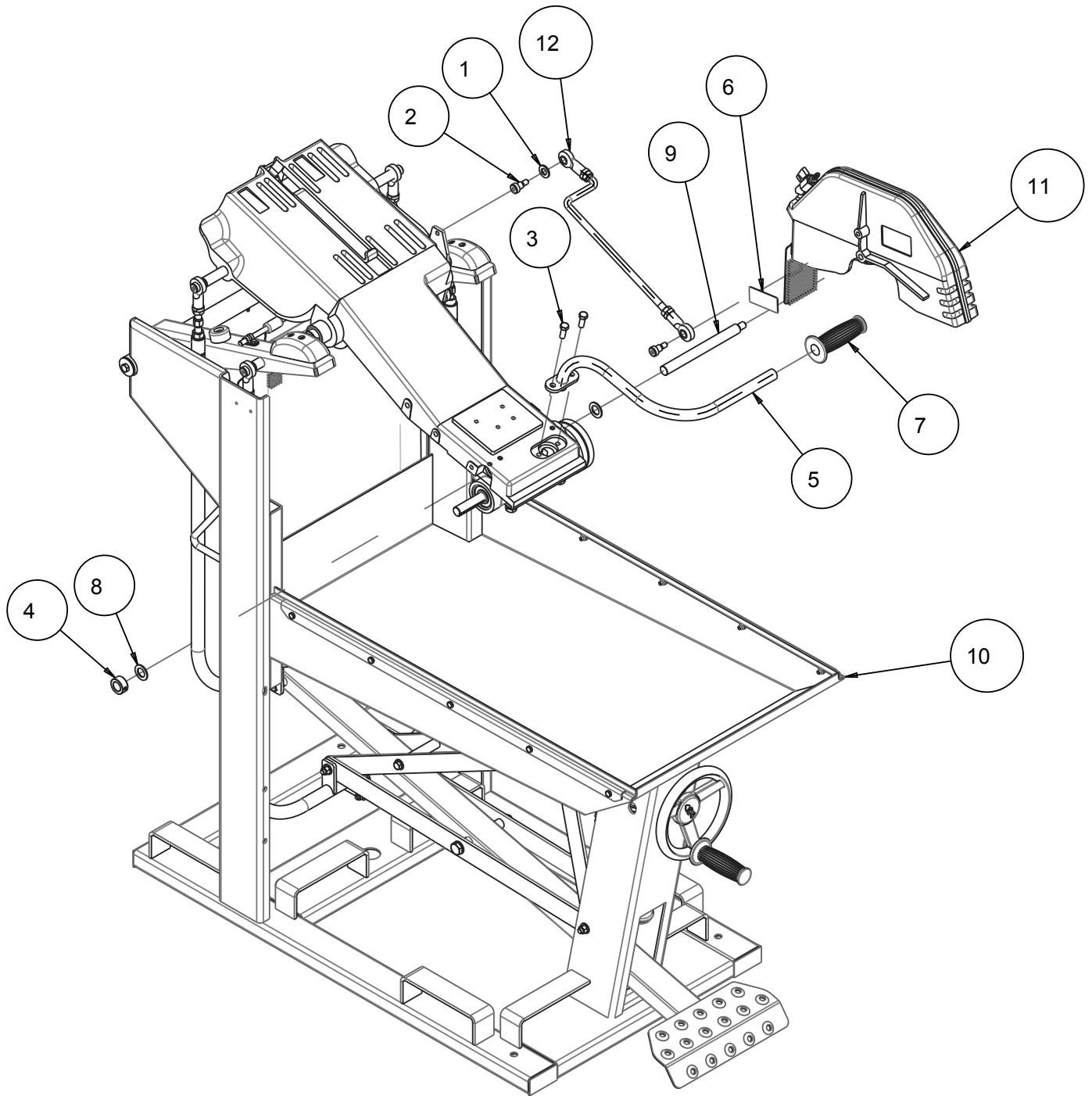


FIGURE 4 - MK-5000 ASSY, BASE, STANDARD DUTY 14" BLADE GUARD P/N 172445-14

ITEM	DESCRIPTION	PART #	QTY
1	WASHER, 1/2 SAE FLAT	150924	1
2	SCREW, SHOULDER, 1/2 X 1/2	151753	2
3	SCREW, HEX HD CAP, 3/8 - 16 X 1	152507	2
4	COLLAR, SET, 3/4"	153814	1
5	HANDLE, CUTTING HEAD MK5000 20"	155851	1
6	TAG, SERIAL NUMBER, BLANK	157500-RW	1
7	GRIP, HANDLE 7/8 ID	158608	1
8	WASHER, FLAT, PLAS, .75 X 1.25 X .080	160827	2
9	SHAFT, PIVOT, 14" BLD GRD	164738	1
10	ASSY, BASE, STD DTY PARENT (<i>Pg 8</i>)	172445	1
11	ASSY, BLD GRD, 14" (<i>Pg 20</i>)	172449	1
12	ASSY, ARM, FRONT (<i>Pg 21</i>)	172538	1

FIGURE 5 - MK-5000 ASSY, BASE, STANDARD DUTY 20" BLADE GUARD P/N 172445-20

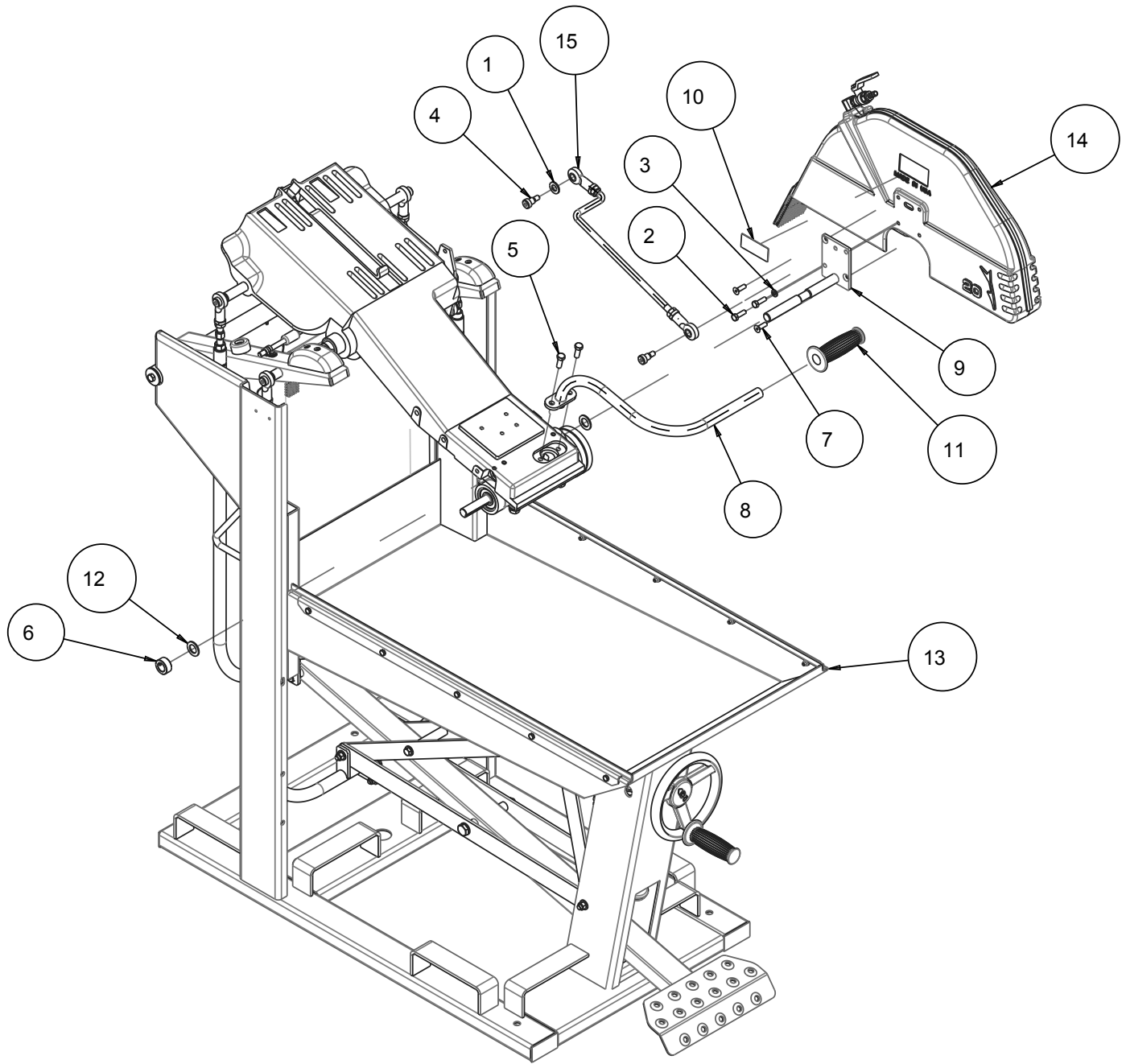
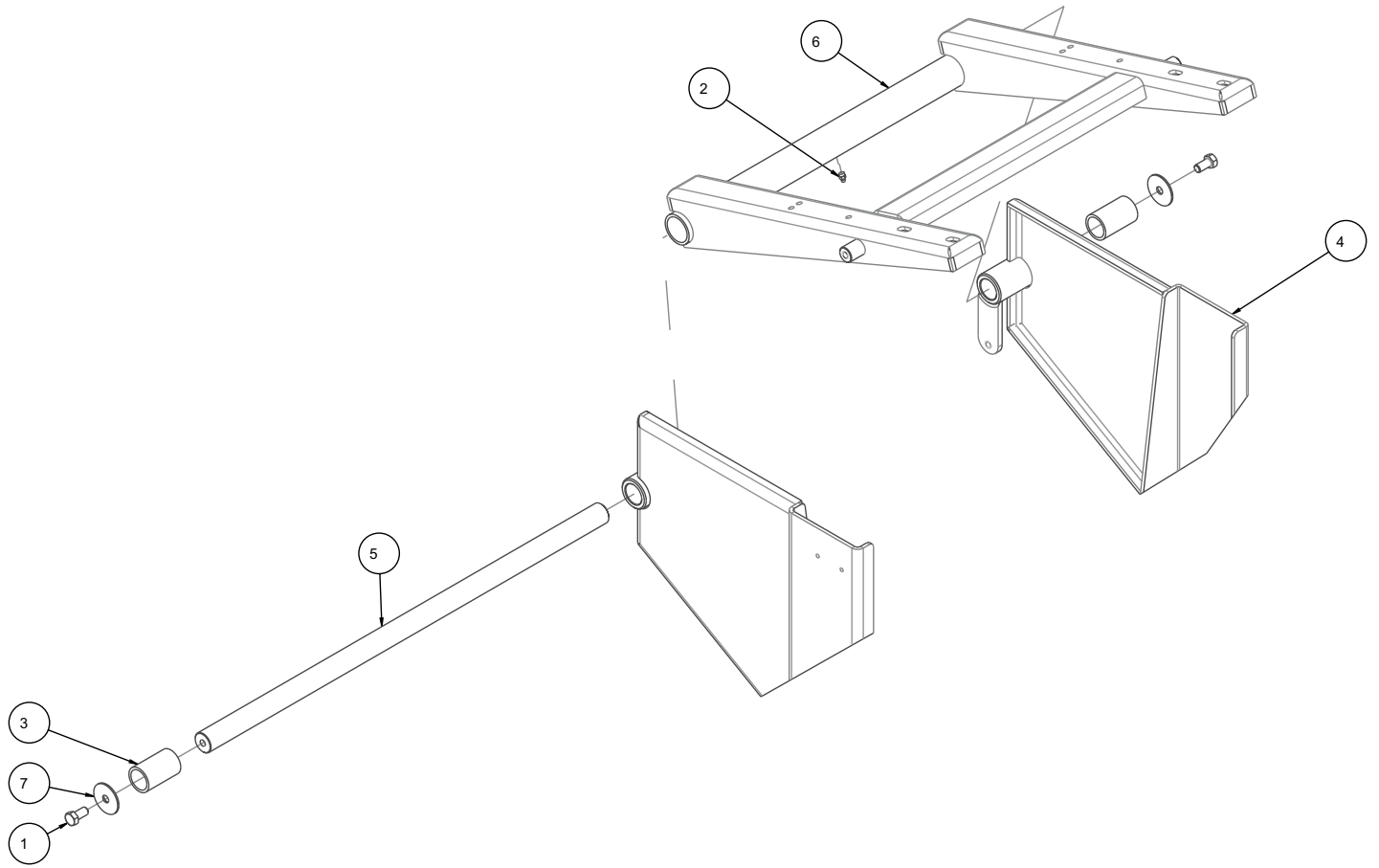


FIGURE 5 - MK-5000 ASSY, BASE, STANDARD DUTY 20" BLADE GUARD P/N 172445-20

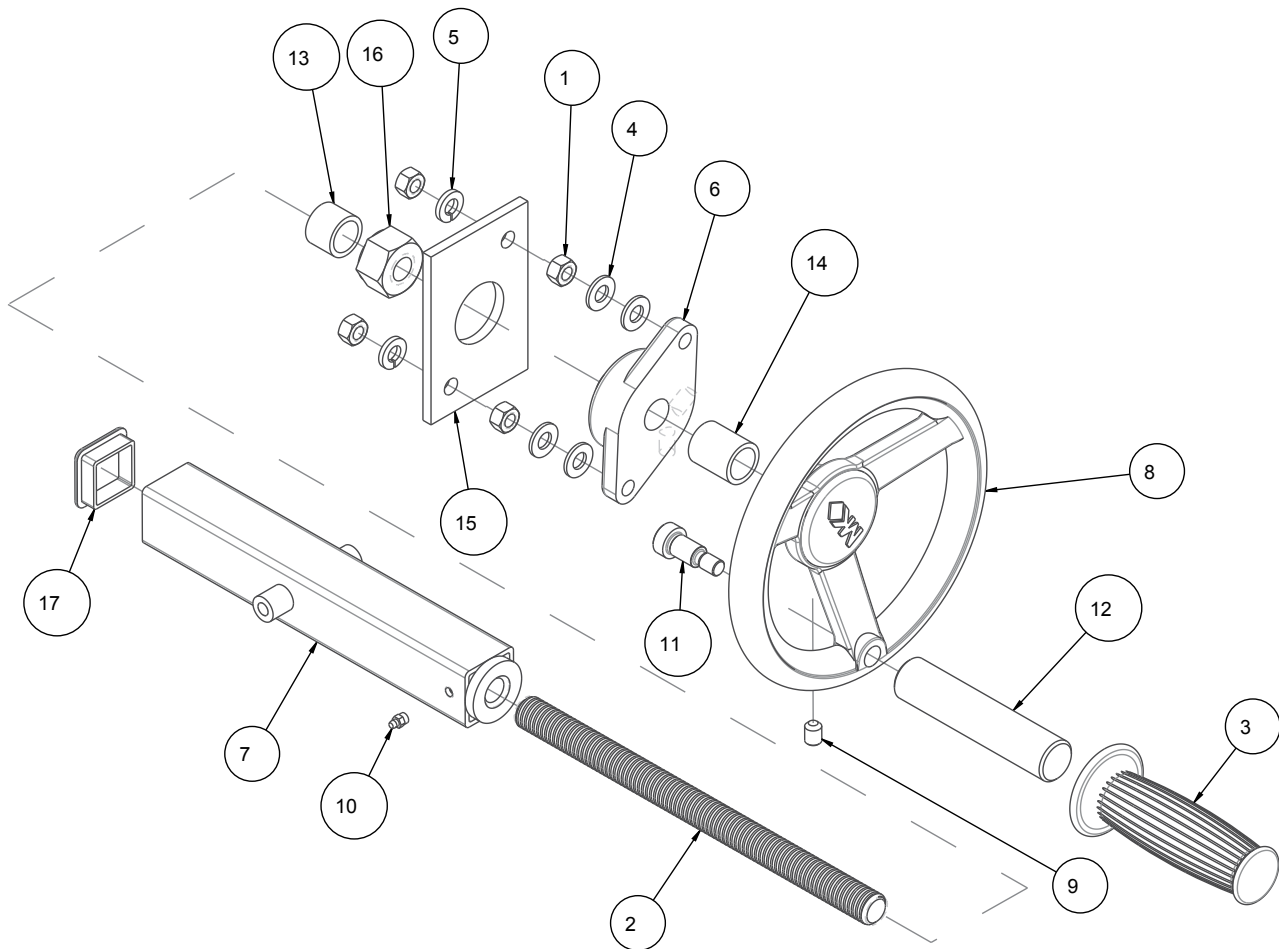
ITEM	DESCRIPTION	PART #	QTY
1	WASHER, 1/2 SAE FLAT	150924	1
2	SCREW, HEX HD, 5/16-18X1	151743	2
3	WASHER, LOCK, SPLIT, 5/16	151747	1
4	SCREW, SHOULDER, 1/2 X 1/2	151753	2
5	SCREW, HEX HD CAP, 3/8 -16 X 1	152507	2
6	COLLAR, SET, 3/4"	153814	1
7	SCREW, 5/16 - 18 X 1.0 FLAT HEAD SOCKET	155552	2
8	HANDLE, CUTTING HEAD MK5000 20"	155851	1
9	SHAFT, BLADE GUARD PIVOT	155886	1
10	TAG, SERIAL NUMBER, BLANK	157500-RW	1
11	GRIP, HANDLE 7/8 ID	158608	1
12	WASHER, FLAT, PLAS, .75 X 1.25 X .080	160827	2
13	ASSY, BASE, STD DTY PARENT (Pg 8)	172445	1
14	ASSY, BLD GRD, 20" (Pg 20)	172450	1
15	ASSY, ARM, FRONT (Pg 21)	172538	1

FIGURE 6 - MK-5000 ASSY, BLOCK SAW ELEVATOR ARM DETAIL P/N 154629



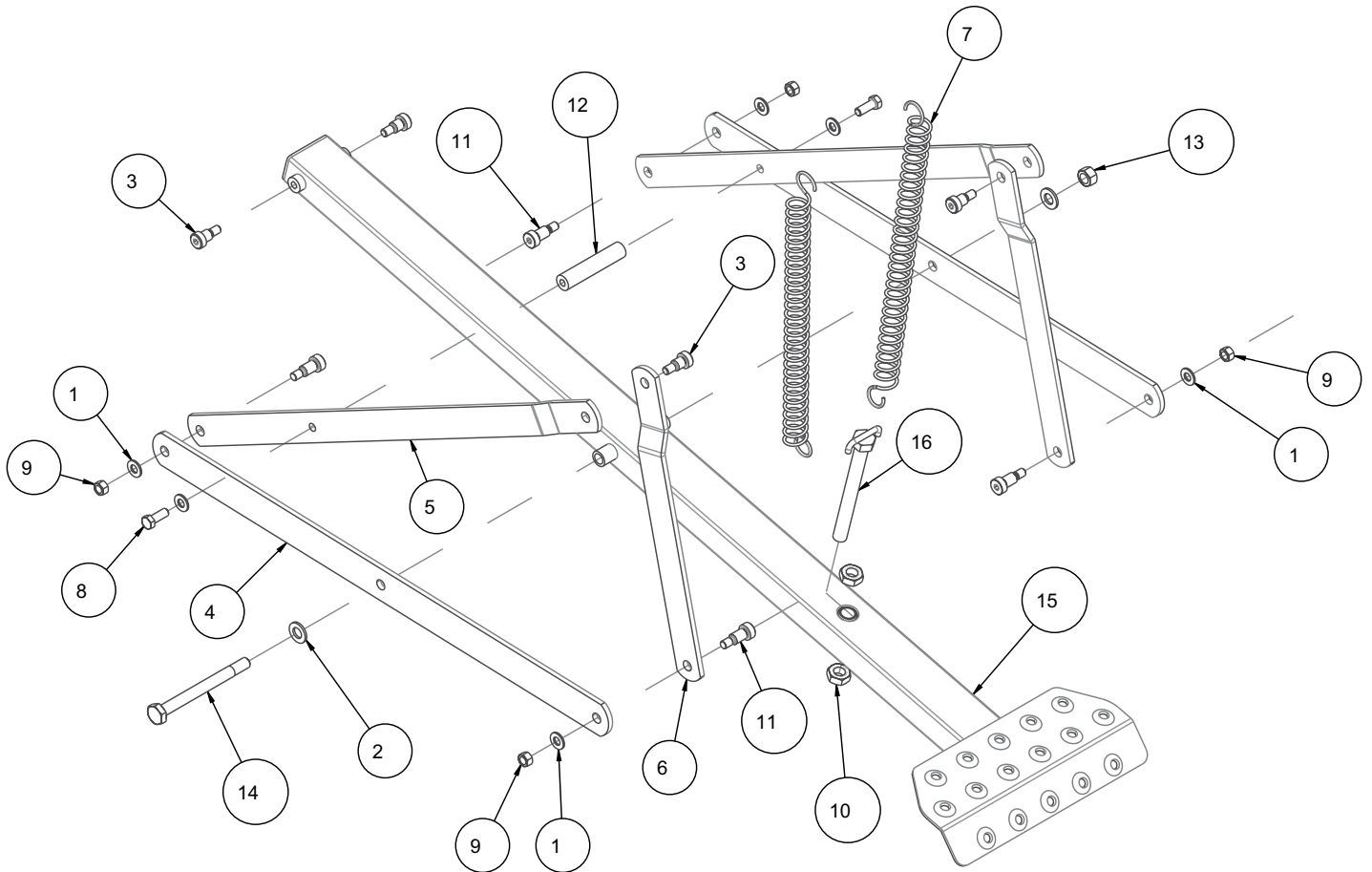
ITEM	DESCRIPTION	PART #	QTY
1	SCREW, HEX, 3/8 - 16 X 3/4	153527	2
2	FITTING, 1/4 - 28 GREASE	153852	1
3	BEARING, 1 X 1-1/4 X 2 MSI MK-5000	154571	2
4	WELDMENT, FRAME	155541	1
5	PIVOT SHAFT, ELEV. ARM	155880	1
6	WELDMENT, ELEVATION ARM MK5000	156285	1
7	WASHER, FENDER, 3/8 ID X 1-1/2 OD	158523	2

FIGURE 7 - MK-5000 ASSY, BLOCK SAW DEPTH CONTROL DETAIL P/N 154629



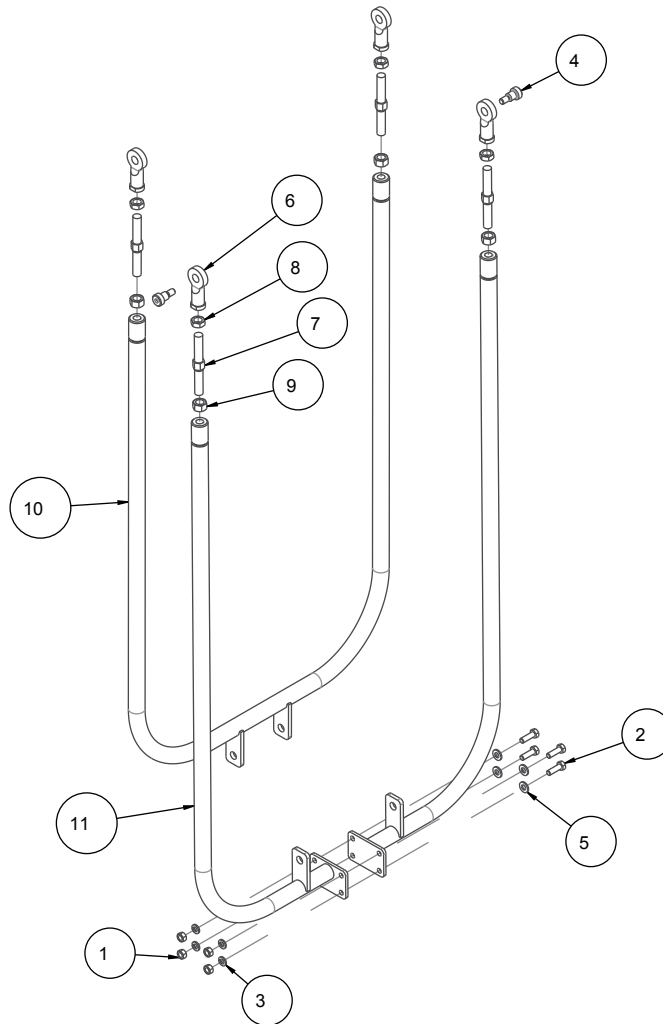
ITEM	DESCRIPTION	PART #	QTY
1	NUT, HEX, 3/8 - 16	101188	4
2	SHAFT, DEPTH FEED SCREW	150840	1
3	GRIP, HANDLE, 1.0 ID	150842	1
4	WASHER, FLAT, SAE, 3/8	150923	4
5	WASHER, LOCK, SPLIT, 3/8	150925	2
6	BEARING, 3/4 ID FLANGE (COMP)	152025	1
7	ADJ SHAFT TUBE	152116	1
8	CRANK WHEEL, 3/4-6-PLASTIC COMP	153646	1
9	SCREW, SET, SOC, CUPT, 3/8-16 X 1/2	153710	1
10	FITTING, 1/4-28 GREASE	153852	1
11	SCREW, SHLDR, SOC HD, 1/2 X 3/4	156177	1
12	HANDLE, CRANK WHEEL	156236	1
13	SPACER, ADJ. SHAFT	156249	1
14	SPACER, DEPTH FEED WHEEL	156250	1
15	SUPPORT PLATE, BEARING	156278	1
16	NUT, ACME, STANDARD 3/4-6	158227	1
17	PLUG, SQUARE, 1- 1/2-10-14	161165	1

FIGURE 8 - MK-5000 ASSY, BLOCK SAW FOOTPEDAL DETAIL P/N 154629



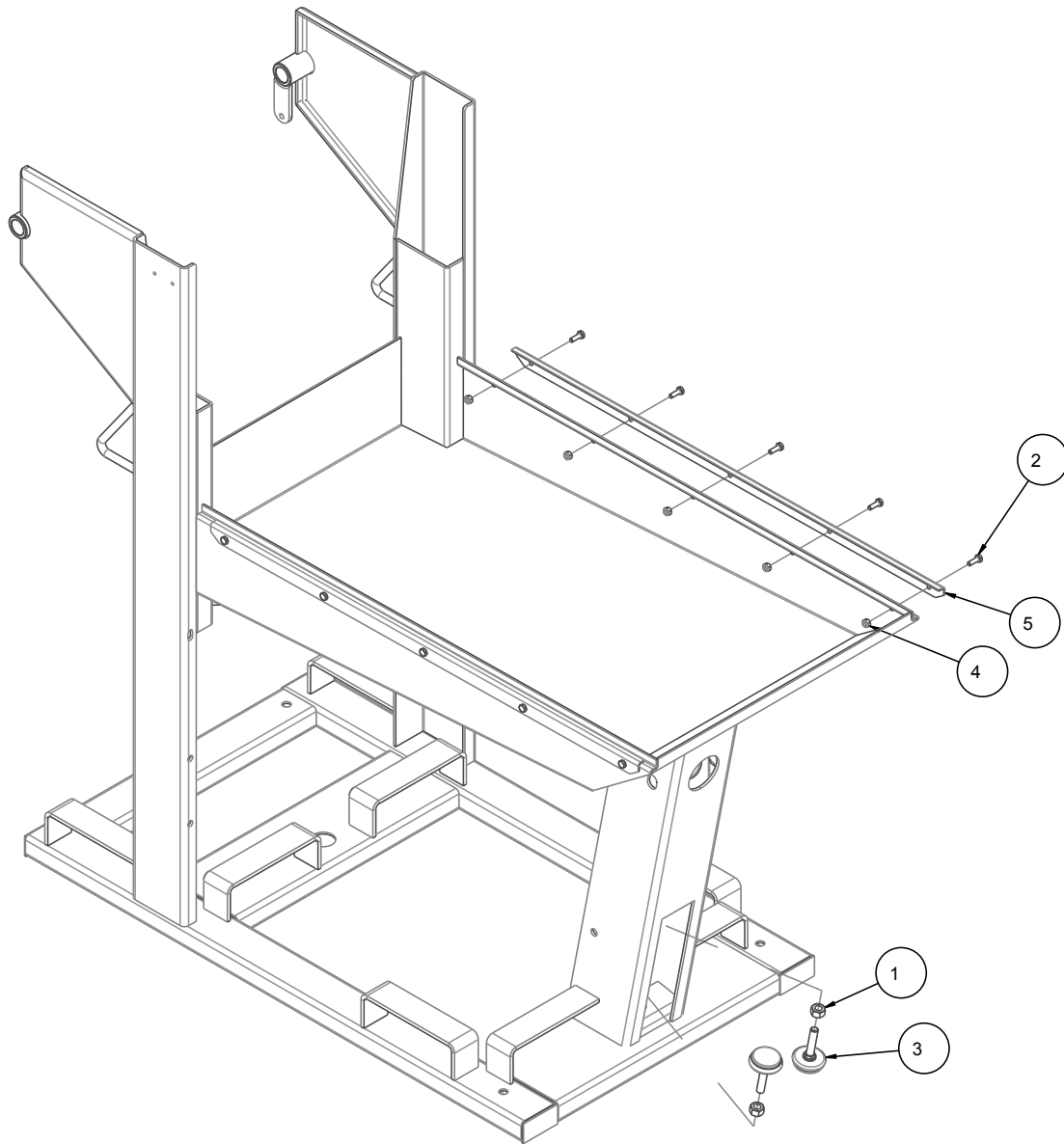
ITEM	DESCRIPTION	PART #	QTY
1	WASHER, FLAT, SAE, 3/8	150923	6
2	WASHER, 1/2 SAE FLAT	150924	2
3	SCREW, SHOULDER, 1/2 X 1/2	151753	4
4	LINKAGE, PEDAL HORIZONTAL	152112	2
5	LINKAGE, PEDAL DIAGONAL	152113	2
6	LINKAGE, PEDAL VERTICAL	152114	2
7	SPRING, FOOT PEDAL MK5000	152115	2
8	SCREW, HEX HD CAP, 3/8-16 X 1	152507	2
9	NUT, 3/8-16 HEX CENTERLOCK	153522	4
10	NUT, HEX JAM 5/8-11 UNC	155603	2
11	SCREW, SHLDR, SOC HD, 1/2 X 3/4	156177	4
12	PEDAL, SHAFT TIE	156259	1
13	NUT, 1/2-13 CENTERLOCK HEX	156279	1
14	SCREW, HEX HD CAP 1/2-13 X 5-1/2	158526	1
15	PEDAL, FOOT & BAR	160139	1
16	HOOK BOLT, WELDMENT, ASSY	160141	1

FIGURE 9 - MK-5000 ASSY, BLOCK SAW LINKS DETAIL P/N 154629



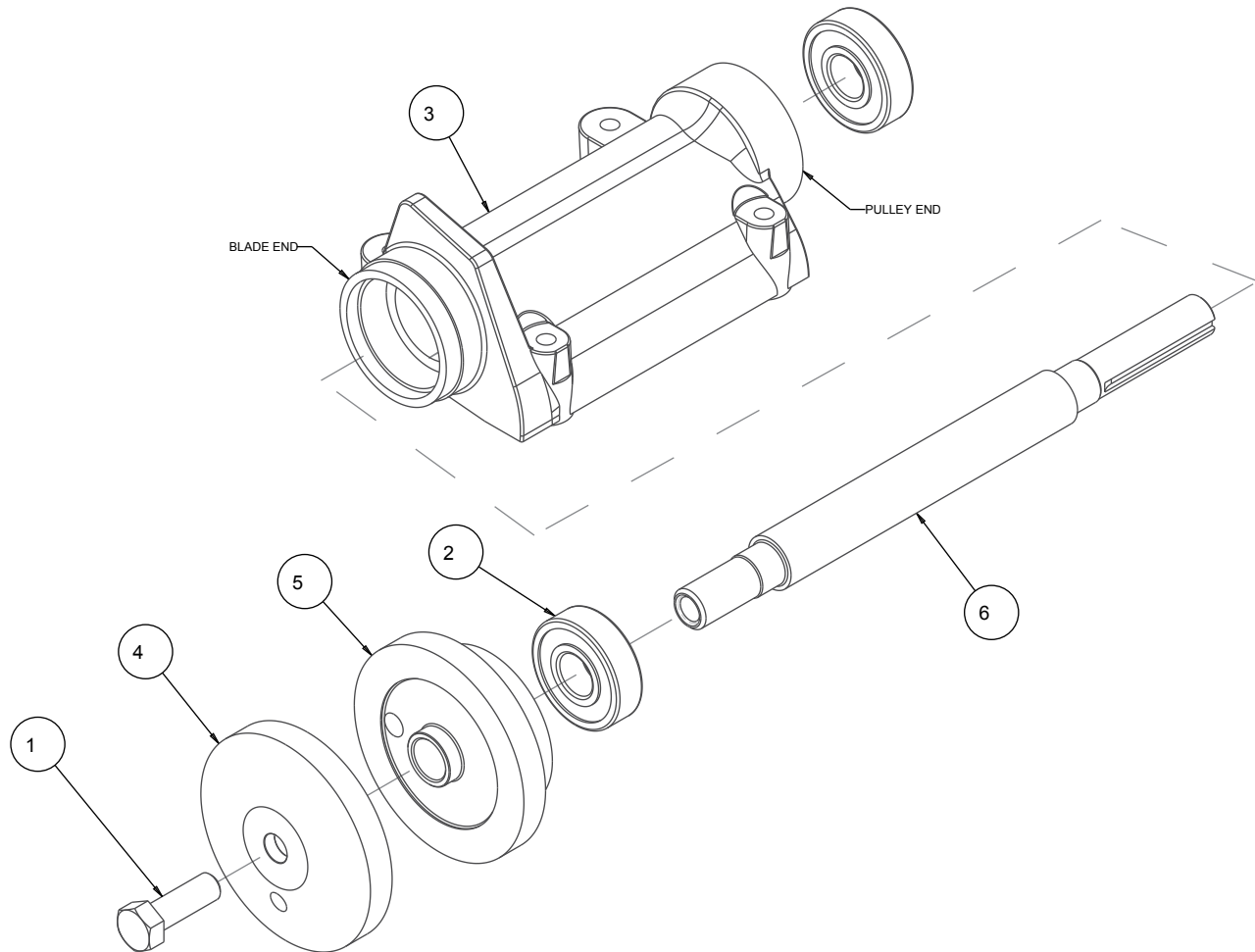
ITEM	DESCRIPTION	PART #	QTY
1	NUT, HEX, 5/16-18	101196	4
2	SCREW, HEX HD, 5/16-18X1	151743	4
3	WASHER, LOCK, SPLIT, 5/16	151747	4
4	SCREW, SHOULDER, 1/2 X 1/2	151753	2
5	WASHER, FLAT, SAE, 5/16	151754	4
6	JOINT, SPHERICAL FEM. 1/2-20RH	154387	4
7	SCREW, ADJUSTMENT	154433	4
8	NUT, JAM, 1/2-20	154460	4
9	JAM NUT 1/2-20 (LH)	154461	4
10	LINK, REAR CONNECTING	156252	1
11	LINK, FRONT CONNECTING	156253	2

FIGURE 10 - MK-5000 ASSY, BLOCK SAW FRAME RAILS DETAIL P/N 154629



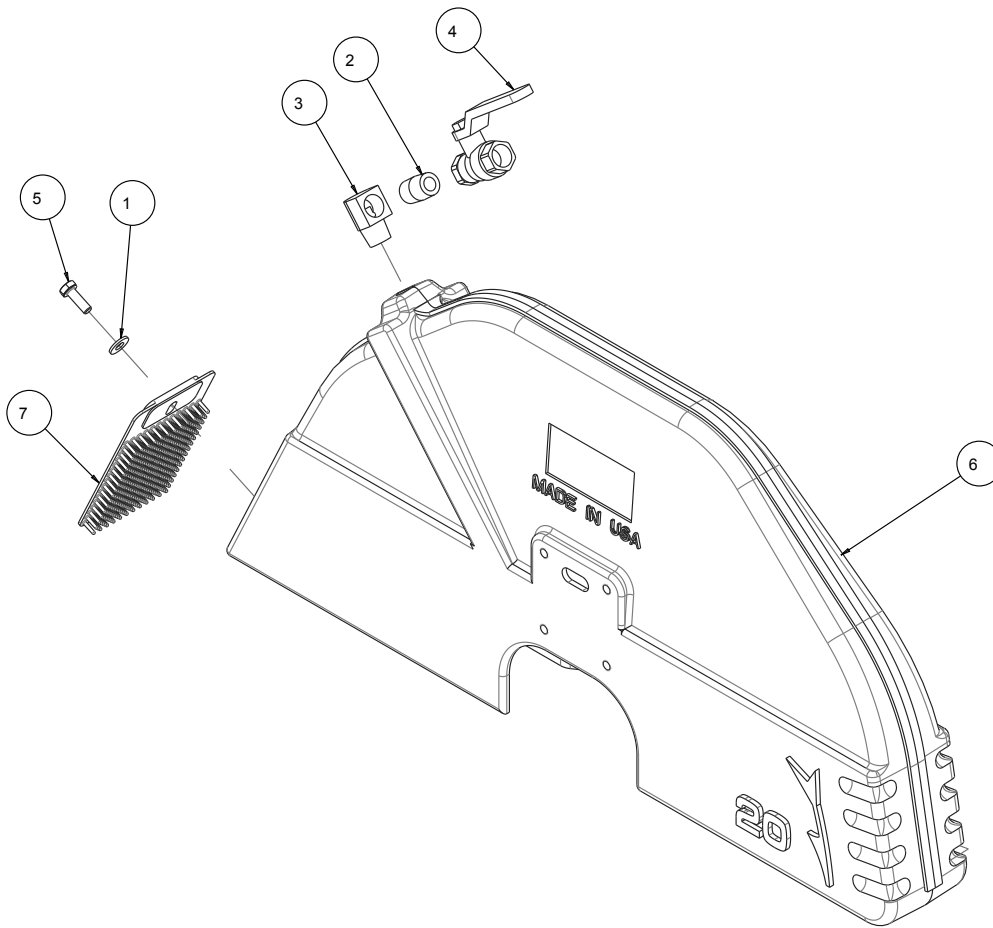
ITEM	DESCRIPTION	PART #	QTY
1	NUT, HEX, 1/2-13	151282	2
2	SCREW, HEX HD, 1/4-20 X 3/4	152370	10
3	BUMPER, 1-1/2 DIA. X 1/2 -13 X 3 STUD	158605	2
4	NUT, HEX, NYLK, 1/4 -20	159857	10
5	LINER, RAIL	166934	2

FIGURE 11 - MK-5000 ASSY, ARBOR STANDARD P/N 161308



ITEM	DESCRIPTION	PART #	QTY
1	SCREW, HEX HD 1/2-20X1-1/4	152122	1
2	BEARING, ARBOR HOUSING	154594	2
3	CASTING, 2000/5000 ARBOR - COMP	154637	1
4	FLANGE, OUTER, MASONRY, 4"	161304	1
5	FLANGE, INNER, MASONRY, 4"	161305	1
6	SHAFT, BLADE, 20MM	165861	1

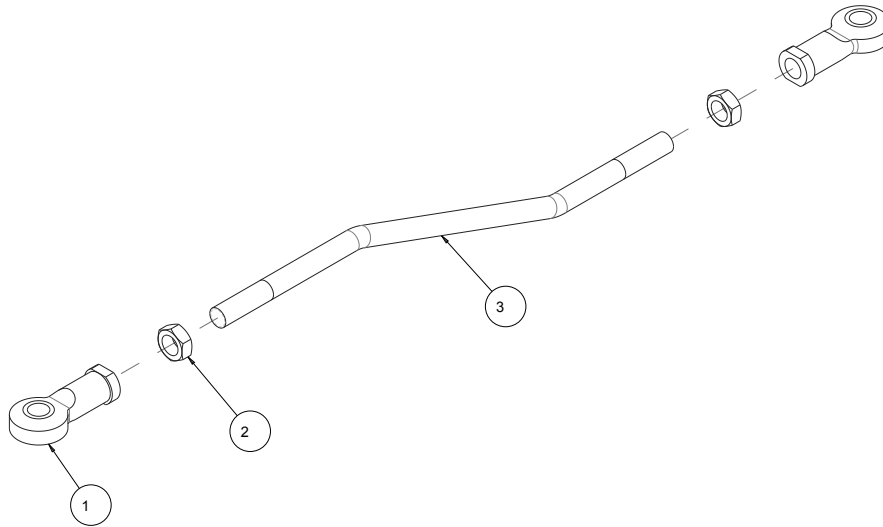
FIGURE 12 - MK-5000 ASSY, BLADE GUARD 20" P/N 172450



SUBSTITUTION TABLE FOR 14" BLADE GUARD		ITEM 4	ITEM 6
P/N	DESCRIPTION		
172449	ASSY, BLADE GRD, 14"	152567	164735

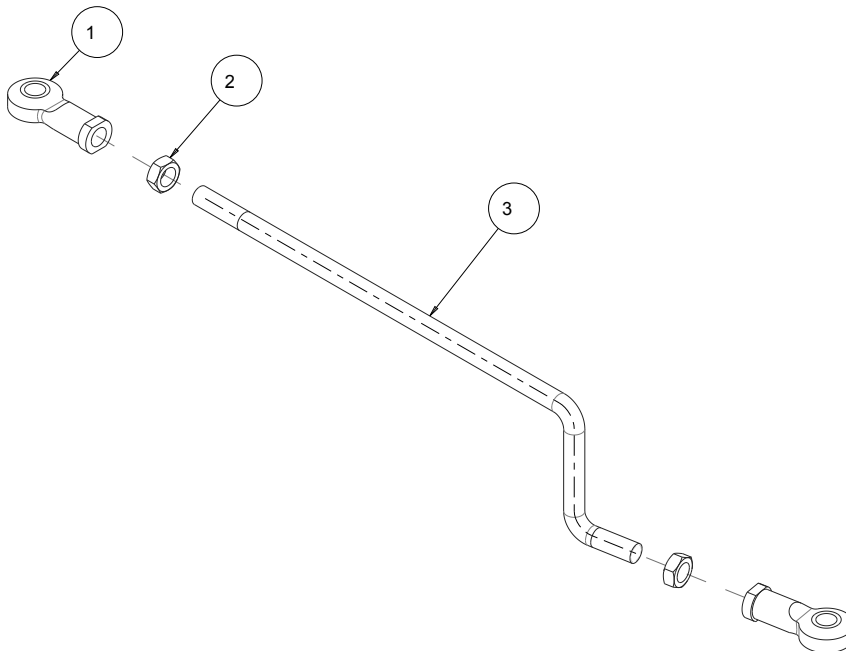
ITEM	DESCRIPTION	PART #	QTY
1	WASHER, FLAT, SAE, 1/4	151915	1
2	NIPPLE, 3/8 MNPT X CLOSE	152073	1
3	ELBOW, 3/8 NPT X 90, BRASS	152074	1
4	VALVE, BALL 3/8"	152075	1
5	SCREW, HEX HD, 1/4-20X3/4	152370	1
6	CASTING, BLD GRD 20" COMP	159674	1
7	GUARD, SPLASH	160310	1

FIGURE 13 - MK-5000 ASSY, ARM, REAR P/N 172537



ITEM	DESCRIPTION	PART #	QTY
1	JOINT, SPHERICAL FEM. 1/2-20RH	154387	2
2	NUT, JAM, 1/2-20	154460	2
3	ARM, REAR CONNECTING	158563	1

FIGURE 14 - MK-5000 ASSY, ARM, FRONT P/N 172538



ITEM	DESCRIPTION	PART #	QTY
1	JOINT, SPHERICAL FEM. 1/2-20RH	154387	2
2	NUT, JAM, 1/2-20	154460	2
3	LINK ROD, BLADE GUARD	158564	1

FIGURE 15 - MK-5000 ASSY, TABLE P/N 152124

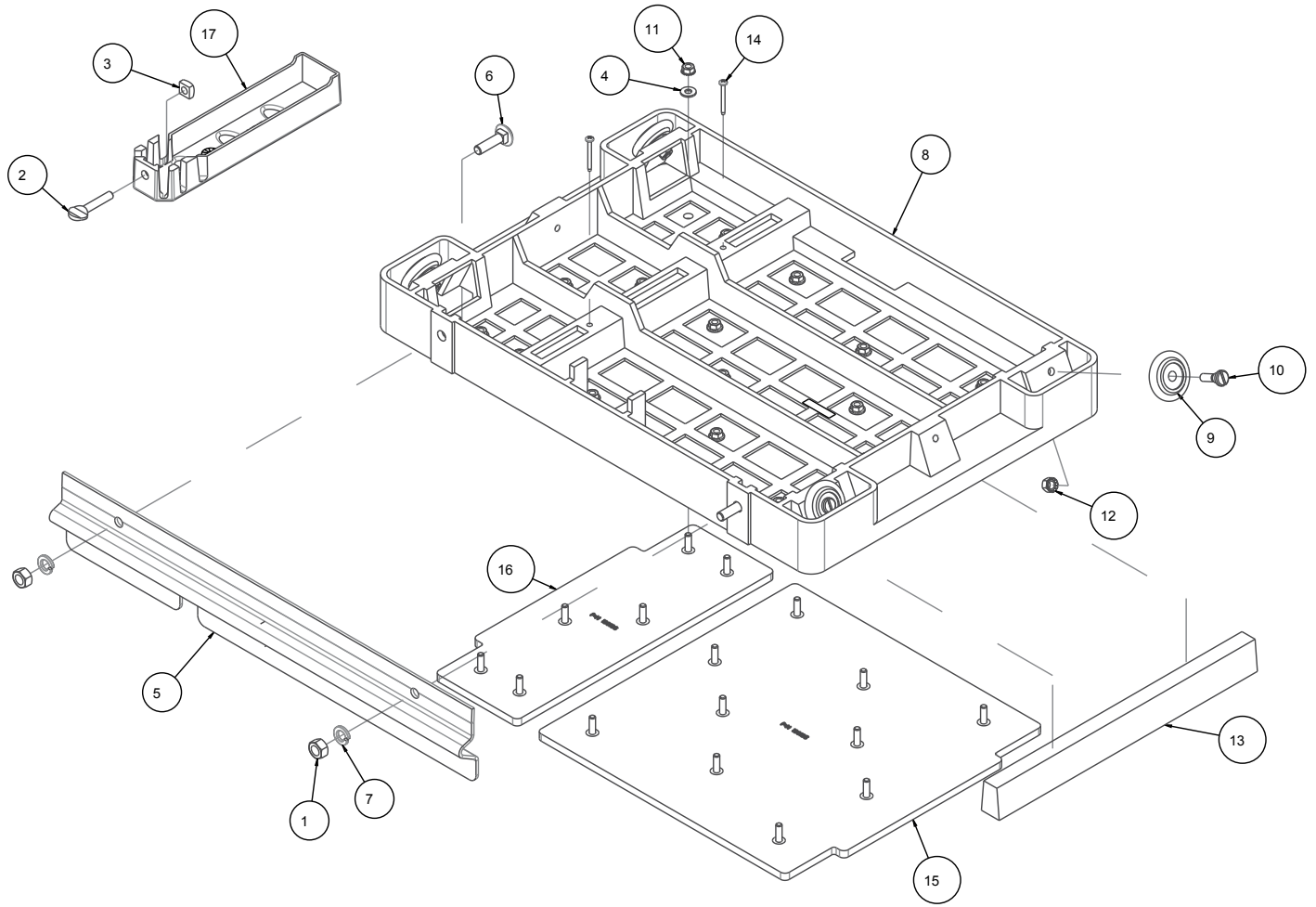
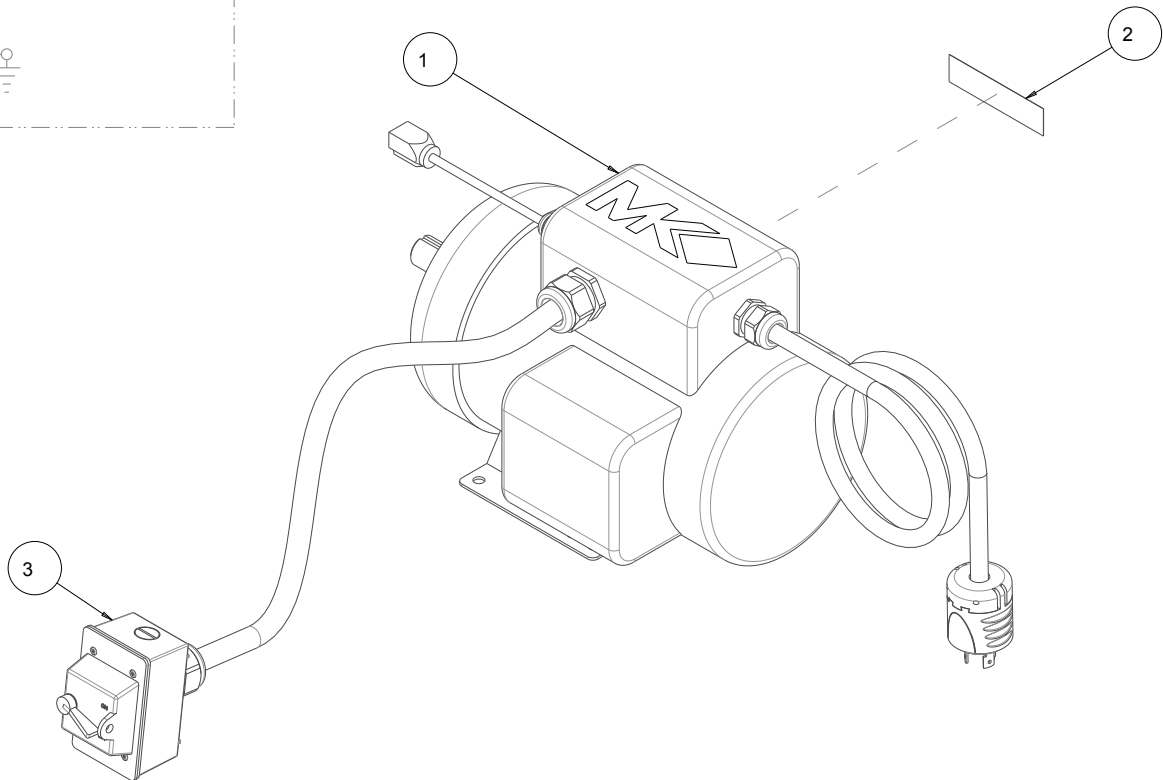
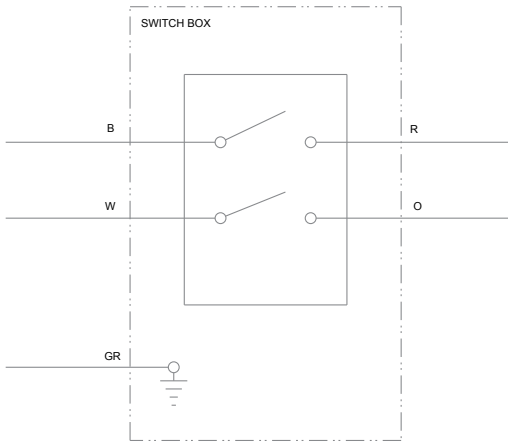


FIGURE 15 - MK-5000 ASSY, TABLE P/N 152124

ITEM	DESCRIPTION	PART #	QTY
1	NUT, HEX 7/16-14	150922	2
2	SCREW, THUMB 5/16-18X1-1/2	151155	1
3	NUT, SQUARE 5/16-18	151156	1
4	WASHER, FLAT, SAE, 1/4	151915	16
5	RULE, FRONT, STOP	152126	1
6	BOLT, CARR. 7/16 - 14 X 1-1/4	152423	2
7	WASHER, LOCK, SPLIT 7/16	152424	2
8	CASTING, 5000, TABLE INSERT	152455	1
9	WHEEL, ROLLER MK5000, MK1080	152493	4
10	STUD, ROLLER WHEEL	152494	4
11	NUT, HEX, TW, 1/4-20	153941	16
12	NUT, HEX, TW, 5/16-18	153942	4
13	WOOD STRIP, TABLE INSERT	157748	1
14	SCREW, #8 X 1-1/2 FLAT HD PHIL	158157	2
15	MAT, MK-5000 TABLE-LG	160165	1
16	MAT, MK-5000 TABLE-SM	160166	1
17	CASTING, SQUARING ARM-COMP	231276	1

FIGURE 16 - MK-5000 ASSY, MOTOR, 5HP 230V 60HZ 1 PH P/N 172444

WIRING DIAGRAM



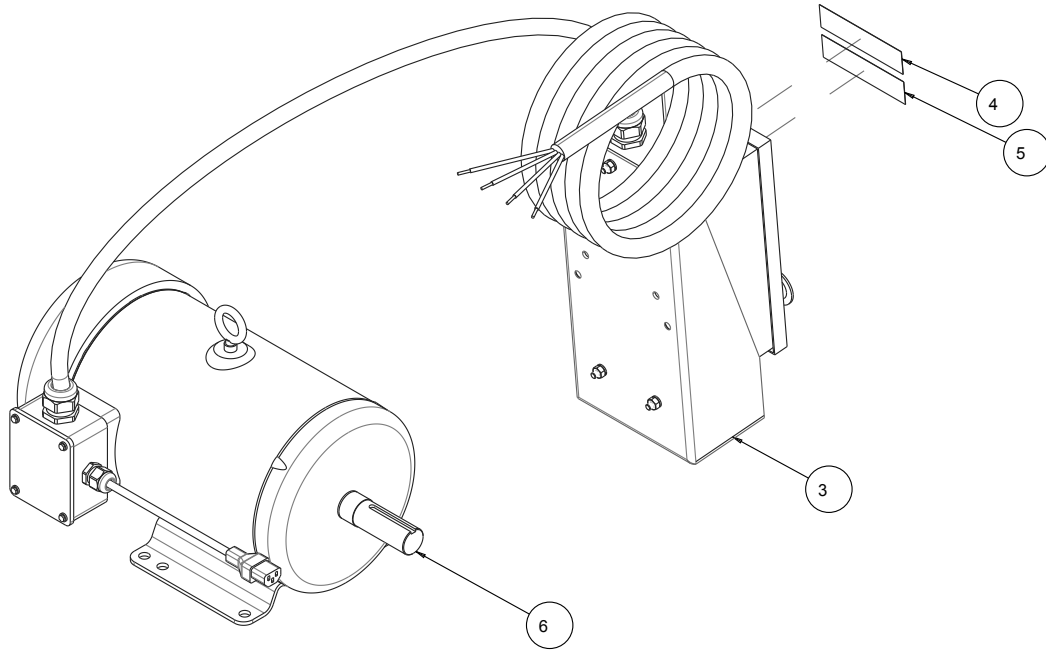
PULLEY REFERENCE TABLE FOR 5HP MOTOR

BLD GRD	PULLEY P/N	DESCRIPTION	ARBOR PULLEY	DESCRIPTION
14"	160412	PULLEY, 16J31 X 1-1/8 BORE	160364	PULLEY, 16J20 X 3/4 BORE
20"	160412	PULLEY, 16J31 X 1-1/8 BORE	160362	PULLEY, 16J28 X 3/4 BORE

ITEM	DESCRIPTION	PART #	QTY
1	MTR, 5HP 230V 1PH 1725RPM	159472	1
2	LABEL, 230V	168652	1
3	ASSY, SWITCH BOX, 30A, LTF29	172836-4	1

FIGURE 17 - MK-5000 ASSY, MOTOR, 5HP 230V 3PH P/N 172425

*NOTE: 5HP 3PH Saws purchased before Jan. 2018 should use retrofit kit P/N 172562, on page 29 for replacement.

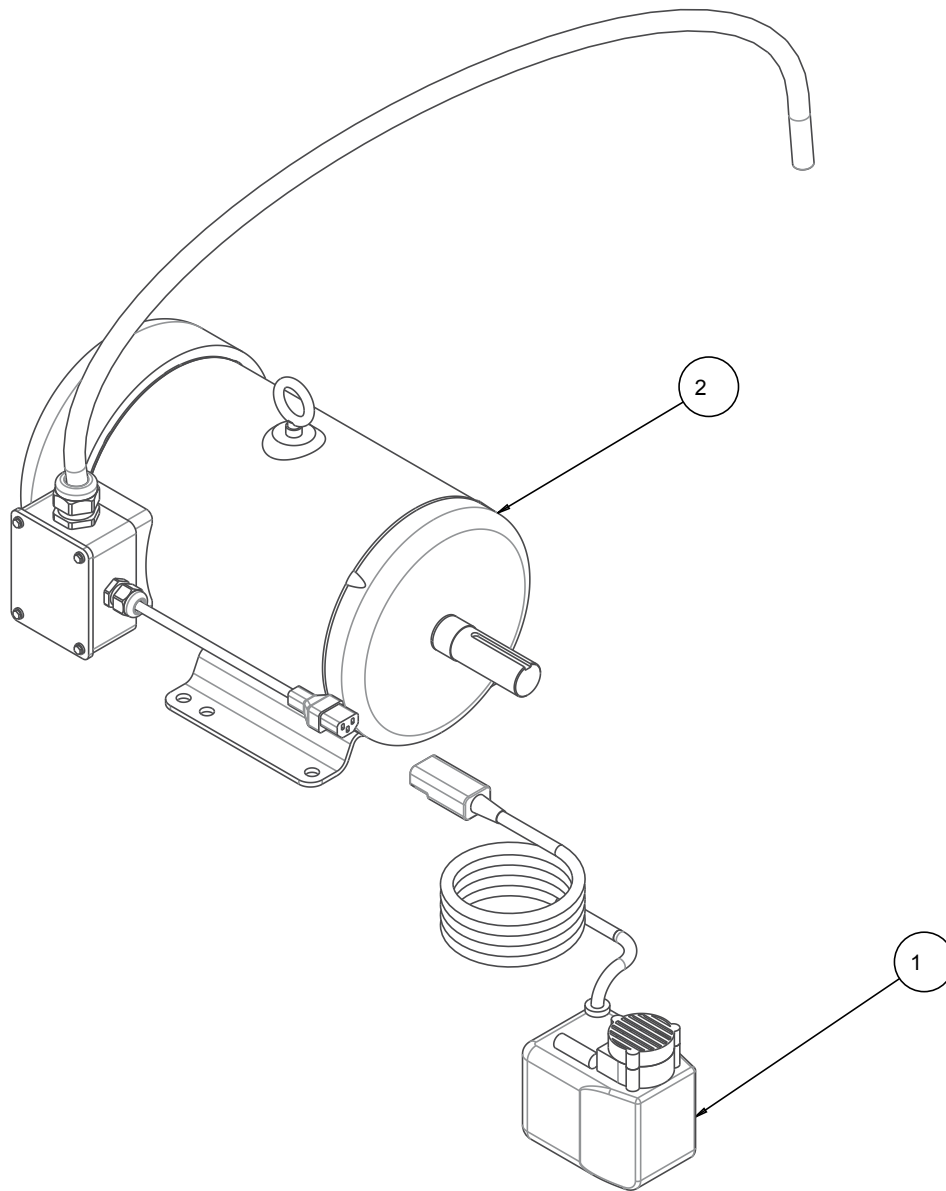


SUBSTITUTION TABLE		ITEM 1	ITEM 2	ITEM 4
P/N	DESCRIPTION			
172425-460	ASSY, MTR, 5HP 3PH 460V 1725RPM, EM3615T	156211	156210	168653

PULLEY REFERENCE TABLE FOR 5HP MOTOR				
BLD GRD	PULLEY P/N	DESCRIPTION	ARBOR PULLEY	DESCRIPTION
14"	160412	PULLEY, 16J31 X 1-1/8 BORE	160364	PULLEY, 16J20 X 3/4 BORE
20"	160412	PULLEY, 16J31 X 1-1/8 BORE	160362	PULLEY, 16J28 X 3/4 BORE

ITEM	DESCRIPTION	PART #	QTY
1	ELEMENT, HEATER 13-15, 1A 3/SET	156207	1
2	COIL, STARTER 240V	156209	1
3	ASSEMBLY, SWITCH, 3-PHASE	162470	1
4	LABEL, 230V	168652	1
5	LABEL, THREE PHASE	168655	1
6	MTR, 5PH 230/460V 3PH 1725RPM, EM3615T-COMP	172558	1

FIGURE 18 - MK-5005T KIT, RETROFIT, 5HP 3PH CUSTOM TO STOCK MTR P/N 172562



ITEM	DESCRIPTION	PART #	QTY
1	ASSY, PUMP, 300GPH 230V 50HZ/60HZ	114769-MK	1
2	MTR, 5PH 230/460V 3PH 1725RPM, EM3615T-COMP	172558	1