

PARTS MANUAL



***WHITEMAN* SERIES**
MODELS
HTN27KTCSL
HTN28KTCSL
RIDE-ON TROWEL
(KOHLER GASOLINE ENGINE)

Revision #2 (10/08/19)

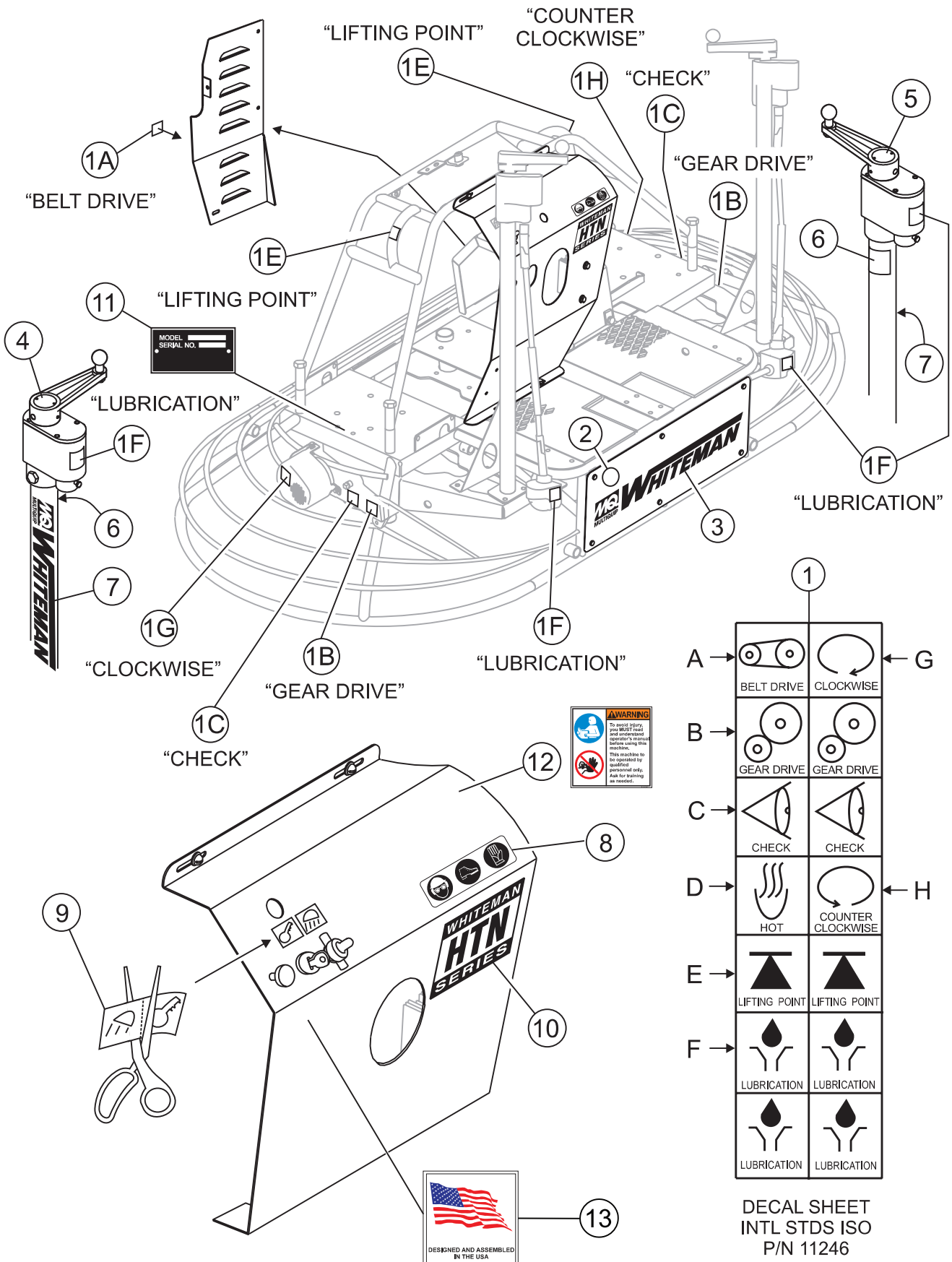
To find the latest revision of this publication or associated operation manual, visit our website at: www.multiquip.com



THIS MANUAL MUST ACCOMPANY THE EQUIPMENT AT ALL TIMES.

PN: 21728

NAMEPLATE AND DECALS (OLD STYLE)



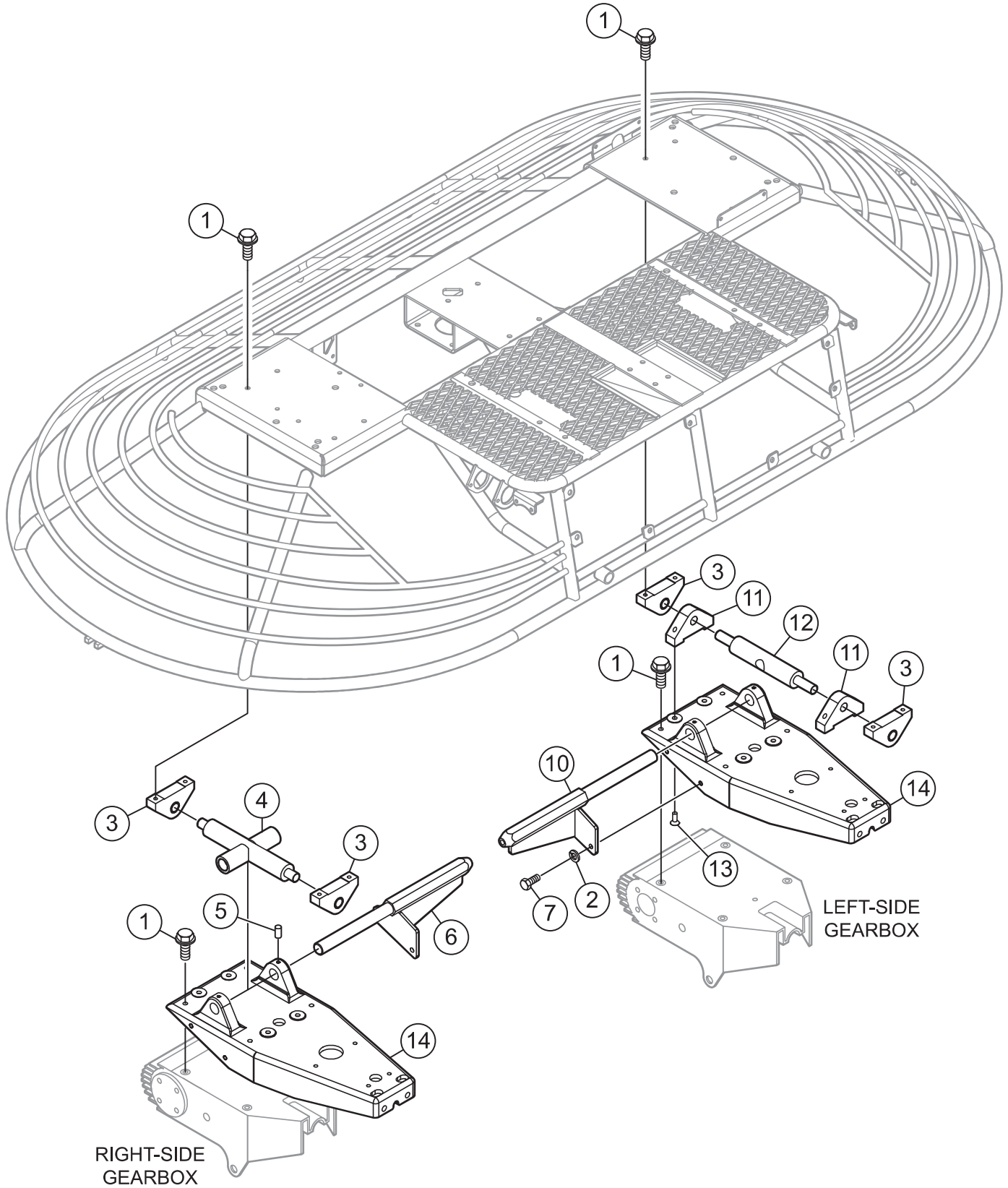
NAMEPLATE AND DECALS (OLD STYLE)

<u>NO.</u>	<u>PART NO.</u>	<u>PART NAME</u>	<u>QTY.</u>	<u>REMARKS</u>
1	11246	DECAL SET, INTERNATIONAL STDS	1	... INCLUDES ITEMS W/@
1A@		DECAL, BELT DRIVE	1	
1B@		DECAL, GEAR DRIVE	1	
1C@		DECAL, CHECK OIL	1	
1D@		DECAL, HOT SURFACE	1	
1E@		DECAL, LIFT POINT	1	
1F@		DECAL, LUBRICATION	1	
1G@		DECAL, CLOCKWISE ROTATION	1	
1H@		DECAL, COUNTER-CLOCKWISE ROTATION	1	
2	13118	DECAL, POWDER COATED	1	
3	10818	DECAL, MQ-WHITEMAN 24 X 3	1	
4	2300	DECAL, AL PITCH RH	1	
5	2332	DECAL, AL PITCH LH	1	
6	2634	DECAL, SPRING SAFETY	2	
7	1499	DECAL, MQ-WHITEMAN RED/TOWER	2	
8	36099	DECAL, SAFETY CLOTHING ISO BLUE	1	... REPLACES 11247
9	2814	DECAL, CONTROL PANEL	1	
10	20923	DECAL, HTN SERIES	1	
11		SERIAL PLATE	1	... CONTACTMQPARTSDEPT.
12	35137	DECAL, READ OPERATOR'S MANUAL	1	
13	30538	DECAL, FLAG DESIGNED AND ASSEMBLED IN THE USA	1	

NAMEPLATE AND DECALS (NEW STYLE)

<u>NO.</u>	<u>PART NO.</u>	<u>PART NAME</u>	<u>QTY.</u>	<u>REMARKS</u>
1	36099	DECAL, PROTECTIVE CLOTHING	1	
2	23890	DECAL, LUBRICATION	4	
3	1499	DECAL, MQ-WHITEMAN RED/TOWER	2	
4	23804	DECAL, DO NOT DISASSEMBLE HAZARD	2	
5	23806	DECAL, PITCH RH	1	
6	23699	DECAL, READ MANUAL	1	
7	23701	DECAL, ASK FOR TRAINING	1	
8	23807	DECAL, PITCH LH	1	
9	34626	DECAL, LIFT POINT	2	
10	23812	DECAL, FUEL GASOLINE	1	
11		SERIAL PLATE	1CONTACT MQ PARTS DEPT.
12	30117	DECAL, CHECK OIL	2	
13	30118	DECAL, GEAR DRIVE	2	
14	23700	DECAL, LIFT/CRUSH HAZARD	2	
15	23698	DECAL, ROTATING BLADE HAZARD	2	
16	25678	DECAL, COUNTER-CLOCKWISE ROTATION	1	
17	TBD	DECAL, CONTROL PANEL	1	
18	25491	DECAL, CLOCKWISE ROTATION	1	
19	23811	DECAL, WARNING, NO WATER	1	
20	30000	DECAL, BELT DRIVE	1	
21	23704	DECAL, GUARD WARNING	1	
22	23810	DECAL, INHALATION HAZARD	1	
23	23808	DECAL, HOT SURFACE HAZARD	2	
24	23235	BADGE, FOOT PLATFORM	1	

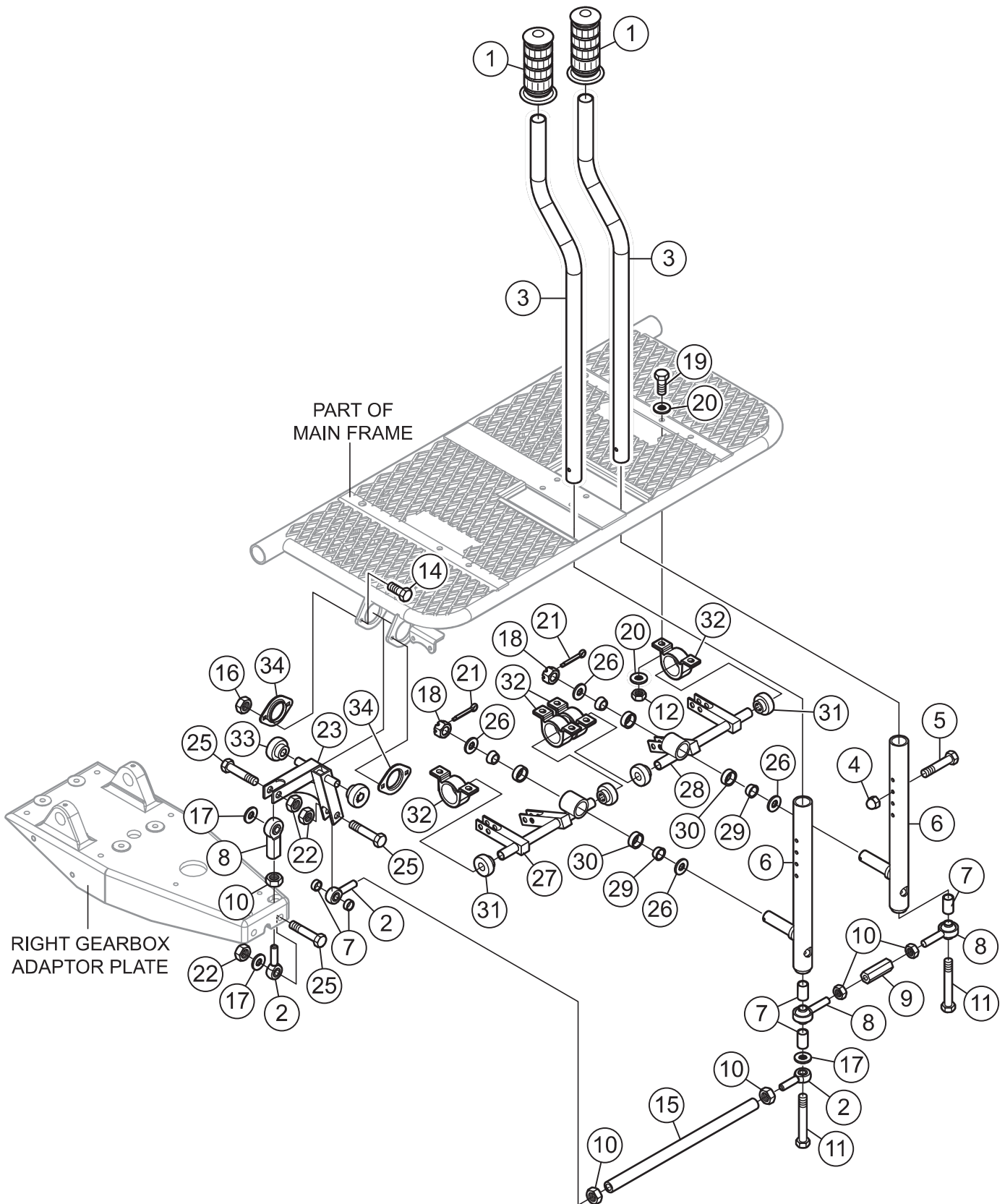
PIVOT ASSY.



PIVOT ASSY.

<u>NO.</u>	<u>PART NO.</u>	<u>PART NAME</u>	<u>QTY.</u>	<u>REMARKS</u>
1	22106	SCREW, HHFS 3/8-16 x 1.25 ZINC.....	16.....	REPLACES P/N 1023
2	0166 A	WASHER, LOCK, 3/8 MED.	4	
3	2304	ROCKER BLOCK WITH BUSHING	4	
4	2146	PIVOT, DOUBLE ROCKER	1	
5	10138	SCREW, SHS 5/16 - 18 X 5/16	4	
6	12412	ARM, PIVOT RIGHT	1	
7	4196	SCREW, HHC 3/8-16 X 3/4	4	
10	12413	ARM, PIVOT LEFT	1	
11	2312	ROCKER BLOCK, WITH SET	2	
12	2145	PIVOT JOINT, SINGLE ROCKER	1	
13	1394	SCREW, FHSC 3/8-16 X 1	4	
14	11248	PLATE, GEARBOX ADAPTOR	2	

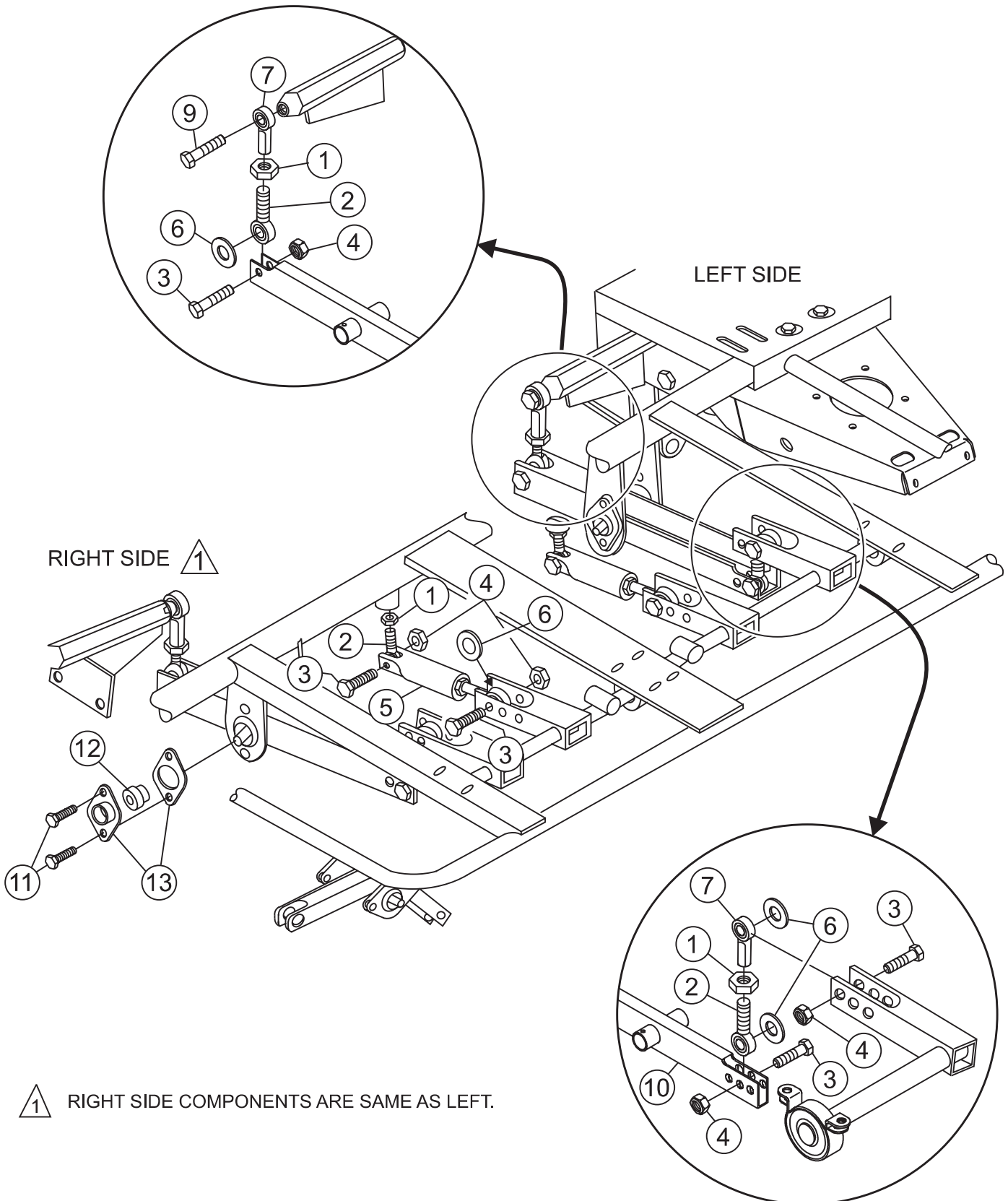
STEERING HANDLES ASSY. (RIGHT & LEFT)



STEERING HANDLES ASSY. (RIGHT & LEFT)

<u>NO.</u>	<u>PART NO.</u>	<u>PART NAME</u>	<u>QTY.</u>	<u>REMARKS</u>
1	22762	GRIP, HANDLE	2	
2	11142	ROD END, 1/2-20 MALE RH	3	
3	11177	HANDLE, TUBE	2	
4	2197	NUT, ACORN, 1/4-20	2	
5	5277	SCREW HHC 1/4-20 X 1-1/2	2	
6	12425	HANDLE, STEERING, LOWER	2	
7	22405	SPACER, ROD END	5	SN#YK & ABOVE
7	11141	SPACER, ROD END	5	SN#YJ & BELOW
8	21944	ROD END, 1/2-20 M RH W/CUSTOM BALL.....	3	SN#YK & ABOVE
8	11143	ROD END, 1/2-20 M RH W/CUSTOM BALL.....	3	SN#YJ & BELOW
9	22404	NUT, COUPLING 1/2-20 X 2.0 X .75 HEX.....	1	SN#YK & ABOVE
9	11173	NUT, COUPLING 1/2-20 X 2.0 X .75 HEX.....	1	SN#YJ & BELOW
10	11146	NUT, HEX JAM 1/2-20	5	
11	11144	SCREW, SHC 1/2-20 X 2 PLTD	1	
12	10133	NUT, NYLOC 3/8 -16	8	
14	0131 A	SCREW HHC 1/4-20 X 3/4	1	
15	11205	ROD, L/R MOTION	1	
16	10024	NUT, NYLOC 1/4-20	1	
17	0447	WASHER, FLAT 1/2 SAE	3	
18	12426	NUT, SLOTTED 3/4-16 PLTD	2	
19	1023	SCREW, HHC 3/8-16 X 1-1/4 GR5	8	
20	10136	WASHER, FLAT SAE 3/8	16	
21	2219	PIN, COTTER 1/8 X 1-1/2	2	
22	10176	NUT, NYLOC 1/2-13	2	
23	12193	LEVER, L/R CONTROL	1	
25	6195 A	SCREW, HHC 1/2-13 X 2	3	
26	8151	WASHER, FLAT SAE 3/4	4	
27	12374	STEERING CONTROL RS ASSIST	1	
28	12375	STEERING CONTROL LS ASSIST	1	
29	0735	BEARING CUP, TIMKEN #A6157	4	
30	0735 A	BEARING CONE TIMKEN #A6075	4	
31	11149	BEARING, SB-204-12	4	
32	11138	BEARING HSG, P-BLOCK	4	
33	11150	BEARING, SB-201-8	3	
34	11139	HOUSING SET, BEARING FLANGE 40M-2	3	

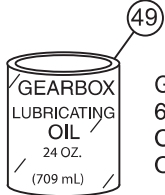
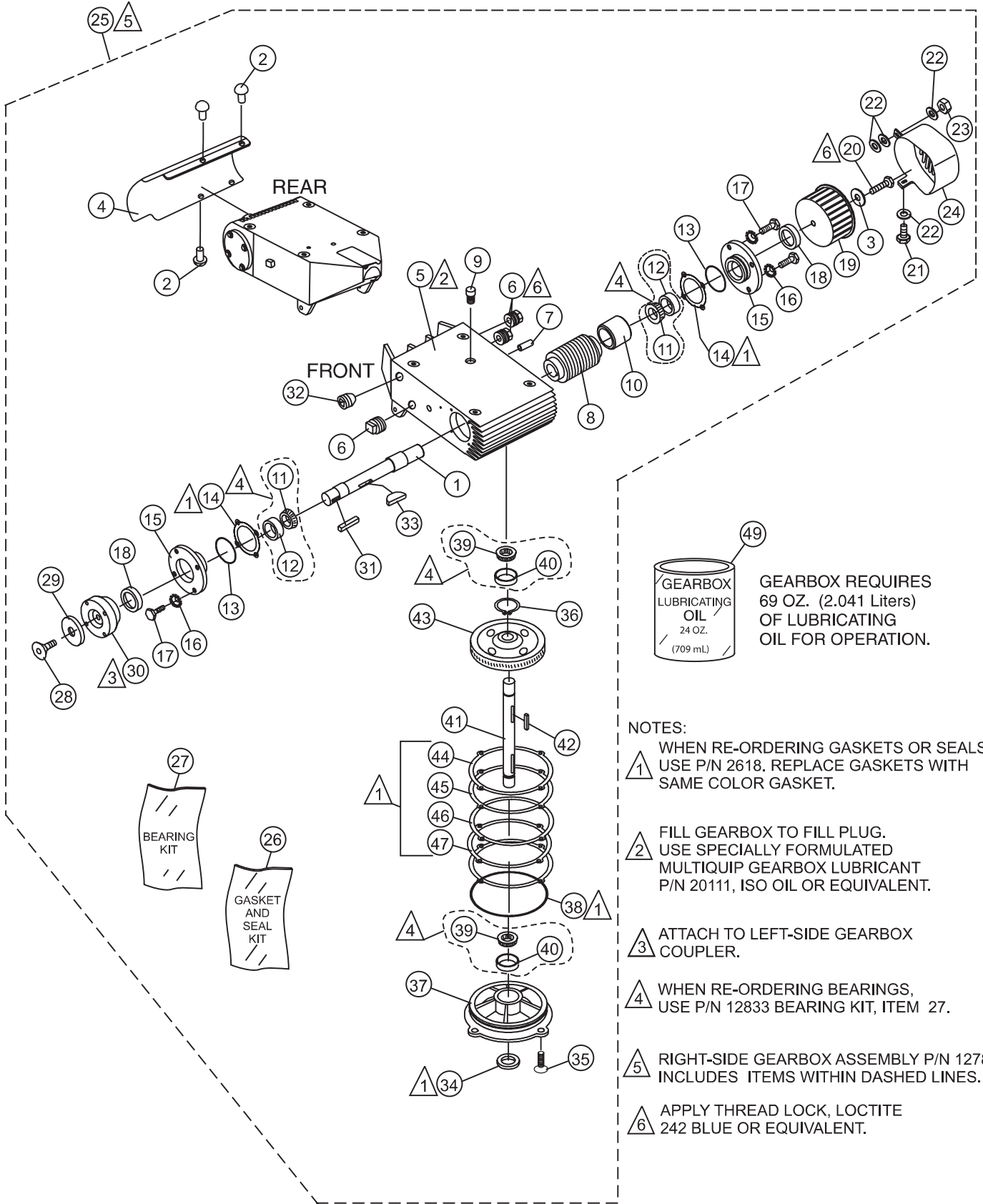
STEERING ASSIST CONTROL ASSY. (R/L)



STEERING ASSIST CONTROL ASSY. (R/L)

<u>NO.</u>	<u>PART NO.</u>	<u>PART NAME</u>	<u>QTY.</u>	<u>REMARKS</u>
1	11146	NUT, HEX JAM 1/2-20 PLTD	6	
2	11142	ROD END, 1/2-20 MALE RH	6	
3	6159 A	SCREW, HHC 1/2-13 X 2	10	
4	10176	NUT, NYLOC 1/2-13	10	
5	12200	STEERING ASSIST ASSEMBLY	2	
6	0447	WASHER, FLAT 1/2 SAE	8	
7	11143	ROD END, 1/2-20 FEMALE RH	4	
9	22135	SCREW, HHC 1/2-20 X 1-1/2	2	
10	11127	LEVER, STEERING CONTROL	2	
11	0131 A	SCREW/ HHC 1/4-20 X 3/4	12	
12	11150	BEARING, SB-201-8	6	
13	11139	HOUSING SET, BEARING FLANGE 40M-2	6	

GEARBOX ASSY. (R)



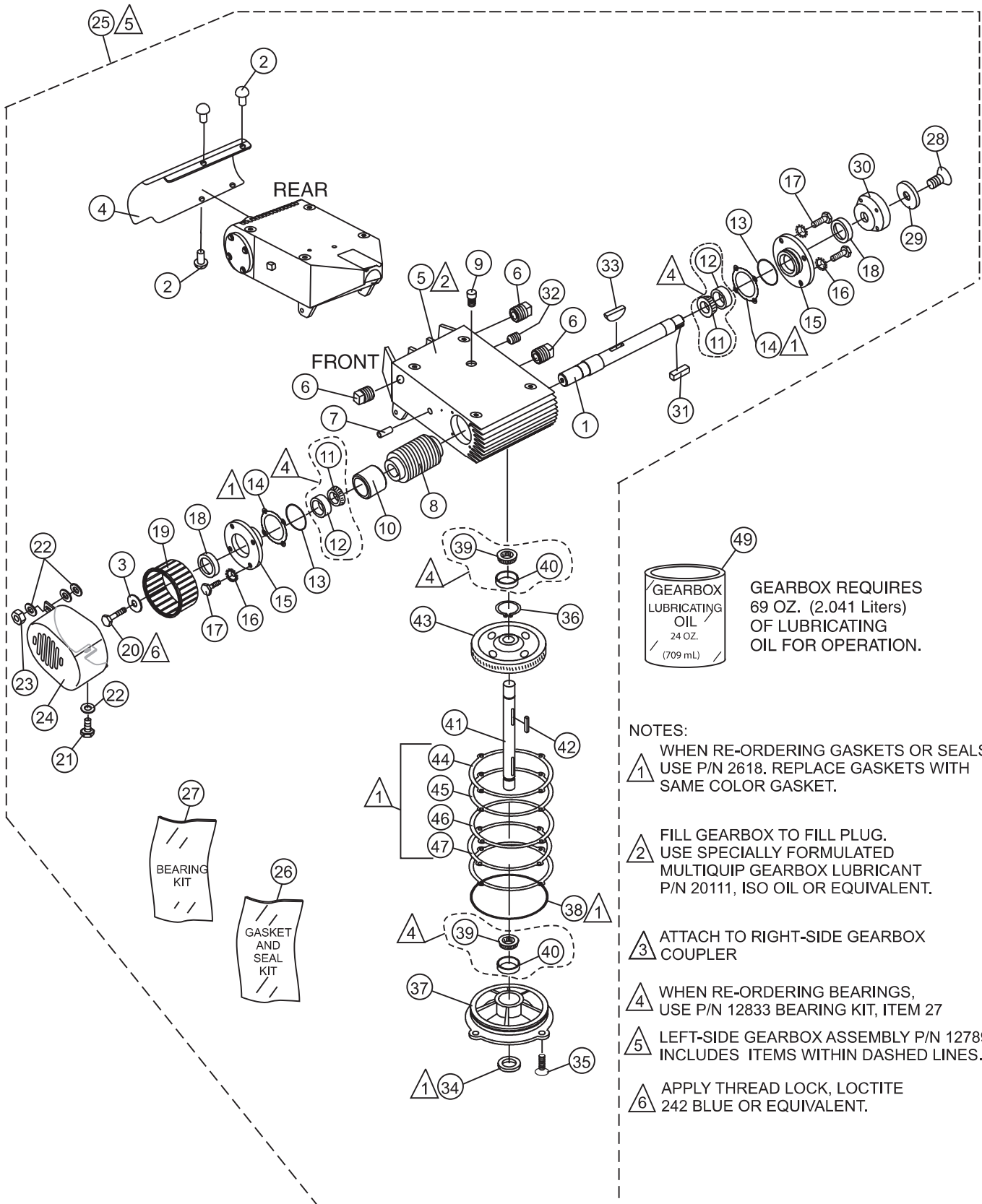
GEARBOX REQUIRES
69 OZ. (2.041 Liters)
OF LUBRICATING
OIL FOR OPERATION.

- NOTES:
- 1 WHEN RE-ORDERING GASKETS OR SEALS USE P/N 2618. REPLACE GASKETS WITH SAME COLOR GASKET.
 - 2 FILL GEARBOX TO FILL PLUG. USE SPECIALLY FORMULATED MULTIQUIP GEARBOX LUBRICANT P/N 20111, ISO OIL OR EQUIVALENT.
 - 3 ATTACH TO LEFT-SIDE GEARBOX COUPLER.
 - 4 WHEN RE-ORDERING BEARINGS, USE P/N 12833 BEARING KIT, ITEM 27.
 - 5 RIGHT-SIDE GEARBOX ASSEMBLY P/N 12788 INCLUDES ITEMS WITHIN DASHED LINES.
 - 6 APPLY THREAD LOCK, LOCTITE 242 BLUE OR EQUIVALENT.

GEARBOX ASSY. (R)

<u>NO.</u>	<u>PART NO.</u>	<u>PART NAME</u>	<u>QTY.</u>	<u>REMARKS</u>
1%	12906	SHAFT, GEARBOX INPUT W/FAN	1	
2%	21992	RIVET, POP BH, 0.187 X 0.188 - 0.250	4	
4%	12982	SHROUD, GB FIN COOLING, RIGHT	1	
5%	12765	GEAR BOX HD RIDER 1-1/4 SHAFT	1	HOUSING ONLY
6%	0121 A	FITTING, PLUG 3/8MP SQUARE HEAD	3	
7%	10989	STUD, N10-32 X 3/4	1	
8%	12908	RIGHT HAND WORM	1	
9%	1132	VENT, AIR	1	
10%	12583	SPACER, X 11D X 1.168L	1	
11@%	9045	BEARING, CONE TIMKEN #1986	2	
12@%	0232 A	BEARING, CUP, TIMKEN #1932	2	
13+%	2309	O-RING, 2-13/16" VINTON	2	
14+%		GASKET, RED	1	SOLD AS KIT ONLY
15%	9047	FLANGE, COUNTERSHAFT	2	REPLACES P/N 2307
16%	10031	WASHER, EXT SHKP 1/4	8	
17%	2295	SCREW, HHC 1/4-20 X 7/8	8	
18%	12909	SEAL, OIL, NATIONAL #471689V	2	
19%	10921	FAN, RIGHT (CW)	1	
20%	0730	SCREW, HHC 1/4-20 X 1	1	
21%	19477	SCREW, HHC, WASHER 10-32 X 1/2	1	
22%	2203	WASHER, FLAT #10 SAE	4	
23%	10019	NUT, NYLOC 10-32	1	
24%	10894	RIGHT-SIDE FAN COVER	1	
25	12788	GEAR BOX ASSY., COMPLETE RIGHT-SIDE ..	1	INCLUDES ITEMS W/%
26	2618	GASKET KIT	1	INCLUDES ITEMS W/+
27%	12833	BEARING KIT	1	INCLUDES ITEMS W/@
28%	1313	SCREW, FHSC 3/8-24 X 3/4 PLAIN	1	
29%	9120	RETAINER, DRIVEN PULLEY	1	
30%	2048	COUPLER - 7/8" ID	1	
31%	2323	KEY, 1/4 X1/4 X13/16	1	
32%	10450	SCREW, SHS 10-32 X1/4	1	
33%	1139	KEY, WOODRUFF #21 HARDENED	1	
34+%	12769	SEAL, 1-1/4 DIA NAT # 471766V	1	
35%	1146	SCREW, FHS 5/16-18 X 1	4	
36%	12770	RING, SNAP TRUARC #5100 - 125	1	
37%	12766	COVER, HD GEARBOX 1-1/4 SHAFT	1	
38+%	9038	O-RING, A - 264 VITON	1	
39@%	12768	BEARING, CONE TIMKEN #15126	2	
40@%	12767	BEARING, CUP, TIMKEN #15245	2	
41%	22443	SHAFT, MAIN HD RIDER 1-1/4 SHAFT	1	REPLACES P/N 12764
42%	9192	KEY, 5/16 X 2-1/4 HRDND	1	
43%	12772	GEAR, WORM RH. HT 1-1/4	1	
44+%		GASKET, RED	1	SOLD AS KIT ONLY
45+%		GASKET, GREEN	1	SOLD AS KIT ONLY
46+%		GASKET, BLUE	1	SOLD AS KIT ONLY
47+%		GASKET, BROWN	1	SOLD AS KIT ONLY
48+%		GASKET, YELLOW	1	SOLD AS KIT ONLY
49	20445	OIL, GEAR (24 OZ.) (709 mL)	3	

GEARBOX ASSY. (L)



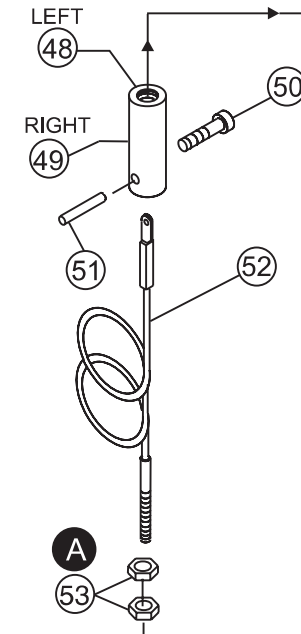
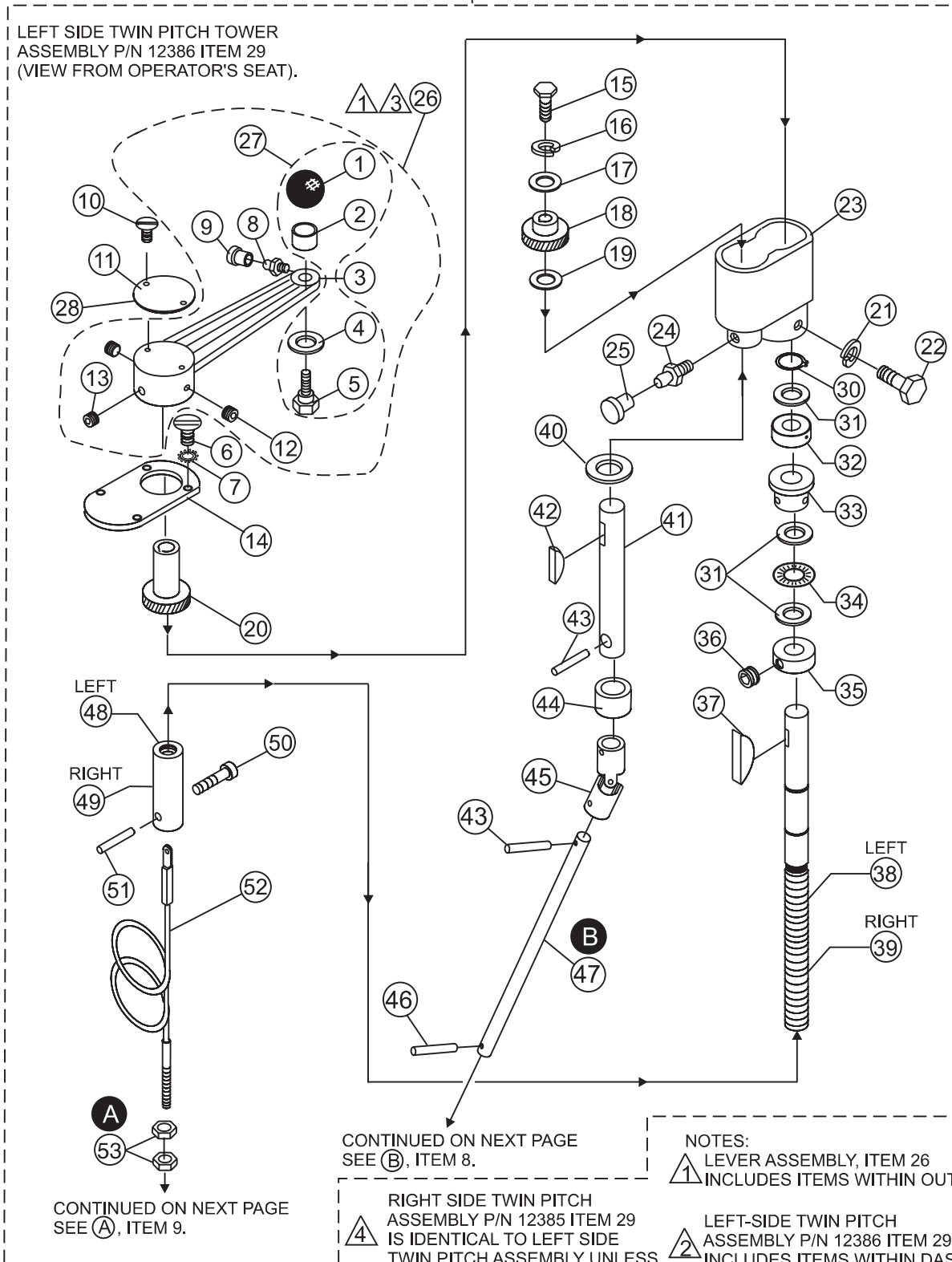
GEARBOX ASSY. (L)

<u>NO.</u>	<u>PART NO.</u>	<u>PART NAME</u>	<u>QTY.</u>	<u>REMARKS</u>
1%	12906	SHAFT, GEARBOX INPUT W/FAN	1	
2%	21992	RIVET, POP BH, 0.187 X 0.188 - 0.250	4	
4%	12982	SHROUD, GB FIN COOLING, LEFT	1	
5%	12765	GEAR BOX HD RIDER 1-1/4 SHAFT	1	HOUSING ONLY
6%	0121 A	FITTING, PLUG 3/8MP SQUARE HEAD	3	
7%	10989	STUD, N10-32 X 3/4	1	
8%	12907	LEFT HAND WORM	1	
9%	1132	VENT, AIR	1	
10%	12583	SPACER, X 11D X 1.168L	1	
11@%	9045	BEARING, CONE TIMKEN #1986	2	
12@%	0232 A	BEARING, CUP, TIMKEN #1932	2	
13+%	2309	O-RING, 2-13/16" VINTON	2	
14+%		GASKET, RED	1	SOLD AS KIT ONLY
15%	9047	FLANGE, COUNTERSHAFT	2	REPLACES P/N 2307
16%	10031	WASHER, EXT SHKP 1/4	8	
17%	2295	SCREW, HHC 1/4-20 X 7/8	8	
18%	12909	SEAL, OIL, NATIONAL #471689V	2	
19%	10922	FAN, LEFT (CCW)	1	
20%	0730	SCREW, HHC 1/4-20 X 1	1	
21%	19477	SCREW, HHC, WASHER 10-32 X 1/2	1	
22%	2203	WASHER, FLAT #10 SAE	4	
23%	10019	NUT, NYLOC 10-32	1	
24%	10893	LEFT-SIDE FAN COVER	1	
25	12789	GEAR BOX ASSY., COMPLETE LEFT-SIDE.....	1	INCLUDES ITEMS W/%
26	2618	GASKET KIT	1	INCLUDES ITEMS W/+
27%	12833	BEARING KIT	1	INCLUDES ITEMS W/@
28%	1313	SCREW, FHSC 3/8-24 X 3/4 PLAIN	1	
29%	9120	RETAINER, DRIVEN PULLEY	1	
30%	2048	COUPLER - 7/8" ID	1	
31%	2323	KEY, 1/4 X1/4 X13/16	1	
32%	10450	SCREW, SHS 10-32 X1/4	1	
33%	1139	KEY, WOODRUFF #21 HARDENED	1	
34+%	12769	SEAL, 1-1/4 DIA NAT # 471766V	1	
35%	1146	SCREW, FHS 5/16 -18 X 3/4	4	
36%	12770	RING, SNAP TRUARC #5100 - 125	1	
37%	12766	COVER, HD GEARBOX 1-1/4 SHAFT	1	
38+%	9038	O-RING, A - 264 VITON	1	
39@%	12768	BEARING, CONE TIMKEN #15126	2	
40@%	12767	BEARING, CUP, TIMKEN #15245	2	
41%	22443	SHAFT, MAIN HD RIDER 1-1/4 SHAFT	1	REPLACES P/N 12764
42%	9192	KEY, 5/16 X 2-1/4 HRDND	1	
43%	12771	GEAR, WORM LH. HT 1-1/4	1	
44+%		GASKET, RED	1	SOLD AS KIT ONLY
45+%		GASKET, GREEN	1	SOLD AS KIT ONLY
46+%		GASKET, BLUE	1	SOLD AS KIT ONLY
47+%		GASKET, BROWN	1	SOLD AS KIT ONLY
48+%		GASKET, YELLOW	1	SOLD AS KIT ONLY
49	20445	OIL, GEAR (24 OZ.) (709 mL)	3	

TWIN PITCH ASSY. (R/L)

29 2 4

LEFT SIDE TWIN PITCH TOWER
ASSEMBLY P/N 12386 ITEM 29
(VIEW FROM OPERATOR'S SEAT).



CONTINUED ON NEXT PAGE
SEE (A), ITEM 9.

CONTINUED ON NEXT PAGE
SEE (B), ITEM 8.

4 RIGHT SIDE TWIN PITCH
ASSEMBLY P/N 12385 ITEM 29
IS IDENTICAL TO LEFT SIDE
TWIN PITCH ASSEMBLY UNLESS
OTHERWISE NOTED.

NOTES:
1 LEVER ASSEMBLY, ITEM 26
INCLUDES ITEMS WITHIN OUTLINE.

2 LEFT-SIDE TWIN PITCH
ASSEMBLY P/N 12386 ITEM 29
INCLUDES ITEMS WITHIN DASHED
LINES.

3 KNOB KIT P/N 2737 (ITEM 27)
INCLUDES ITEMS 1, 2, 4 AND 5.

TWIN PITCH ASSY. (R/L)

<u>NO.</u>	<u>PART NO.</u>	<u>PART NAME</u>	<u>QTY.</u>	<u>REMARKS</u>
1#	4403	KNOB, SHIFT	1	
2#	3231	SPACER	1	
3#	1615	CRANK LEVER	1	
4#	1733	HARDENED WASHER	1	
5#	1616	SHOULDER BOLT	1	
6+%	2620	SCREW, BHC 10-24 X 5/8	4	
7	10114	WASHER, EXT. SHKP, #8	4	
8	2621	FITTING GREASE	1	
9	1162 A	CAP, GREASE ZERK/2	1	
10#	4014	SCREW, 2-3/16 P-K TYPE U-DRIVE	2	
11	2300	DECAL, AL PITCH, RH.....	1	RIGHT-SIDE ONLY
12#	1528	SCREW, SHSS 1/4-20 X 5/16"	2	
13#	0185	SCREW, SHSS 3/8-16 X 3/8"	1	
14+%	2649	COVER, PITCH CONT HOUSING	1	
15+%	1579	SCREW, HHC 1/4-20 X 1/2	1	
16+%	0181 B	WASHER, LOCK, 1/4 MED	4	
17+%	0948	WASHER, FLAT, 1/4 SAE	1	
18+%	1530	GEAR, DRIVEN PITCH CONTROL	1	
19+%	1733	WASHER, 1/32 X 1/2 HARDENED	8	
20+%	1529	GEAR, DRIVE PITCH CONTROL	1	
21+%	0161 C	WASHER, LOCK 5/16 MED	1	
22+%	0655	SCREW, HHC 5/16-18 X 3/4	1	
23+%	10546	HOUSING, PITCH CONTROL, 1-3/4	1	
24+%	2621	ZERK, GREASE STR 1/4-28	1	
25+%	1162 A	CAP, GREASE ZERK	1	
26	1617	LEVER ASSY, TROWEL ADJUSTMENT.....	1	INCLUDES ITEMS W/#
27	2737	KNOB, KIT.....	1	INCLUDES ITEMS W/\$
28	2332	DECAL, AL PITCH, LH.....	1	LEFT SIDE ONLY
29	12386	TOWER ASSEMBLY, LEFT TPC.....	1	INCLUDES ITEMS W/+
29	12385	TOWER ASSEMBLY, RIGHT TPC.....	1	INCLUDES ITEMS W/%
30+%	10512	RING, SNAP, TRUARC 5160 - 75	1	

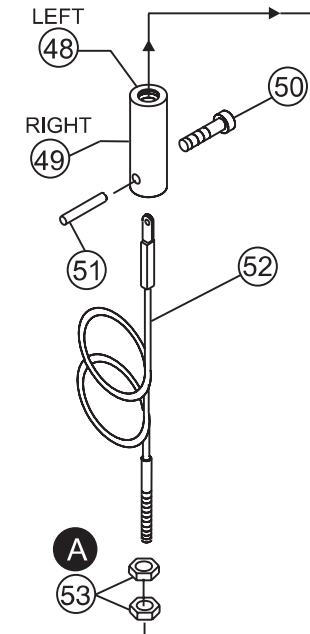
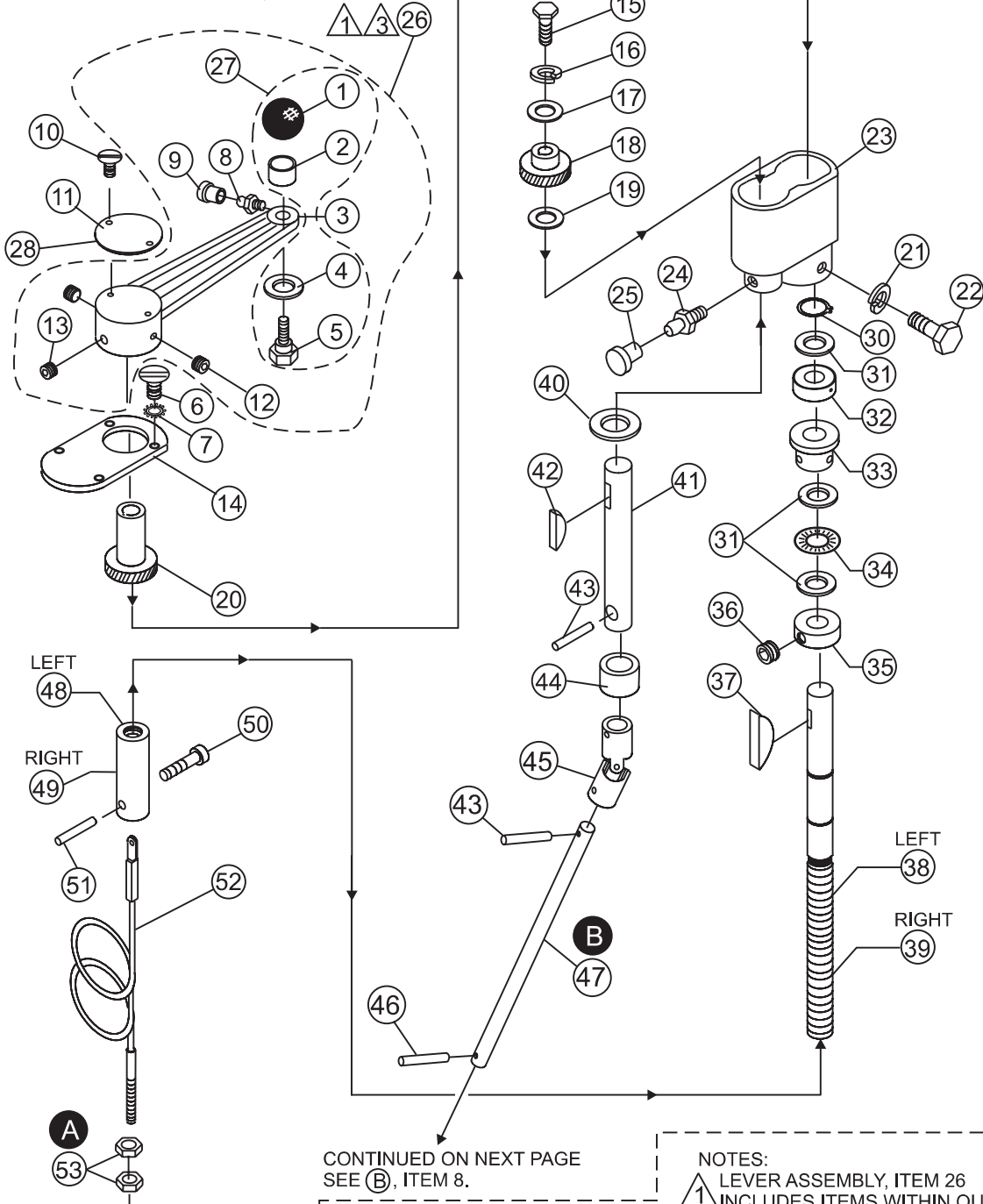
NOTICE

Indicated quantities are for one pitch tower. If ordering for two pitch towers, double quantity.

TWIN PITCH ASSY. (R/L)

29 2 4

LEFT SIDE TWIN PITCH TOWER
ASSEMBLY P/N 12386 ITEM 29
(VIEW FROM OPERATOR'S SEAT).



CONTINUED ON NEXT PAGE
SEE (B), ITEM 8.

CONTINUED ON NEXT PAGE
SEE (A), ITEM 9.

4 RIGHT SIDE TWIN PITCH
ASSEMBLY P/N 12385 ITEM 29
IS IDENTICAL TO LEFT SIDE
TWIN PITCH ASSEMBLY UNLESS
OTHERWISE NOTED.

NOTES:
1 LEVER ASSEMBLY, ITEM 26
INCLUDES ITEMS WITHIN OUTLINE.

2 LEFT-SIDE TWIN PITCH
ASSEMBLY P/N 12386 ITEM 29
INCLUDES ITEMS WITHIN DASHED
LINES.

3 KNOB KIT P/N 2737 (ITEM 27)
INCLUDES ITEMS 1, 2, 4 AND 5.

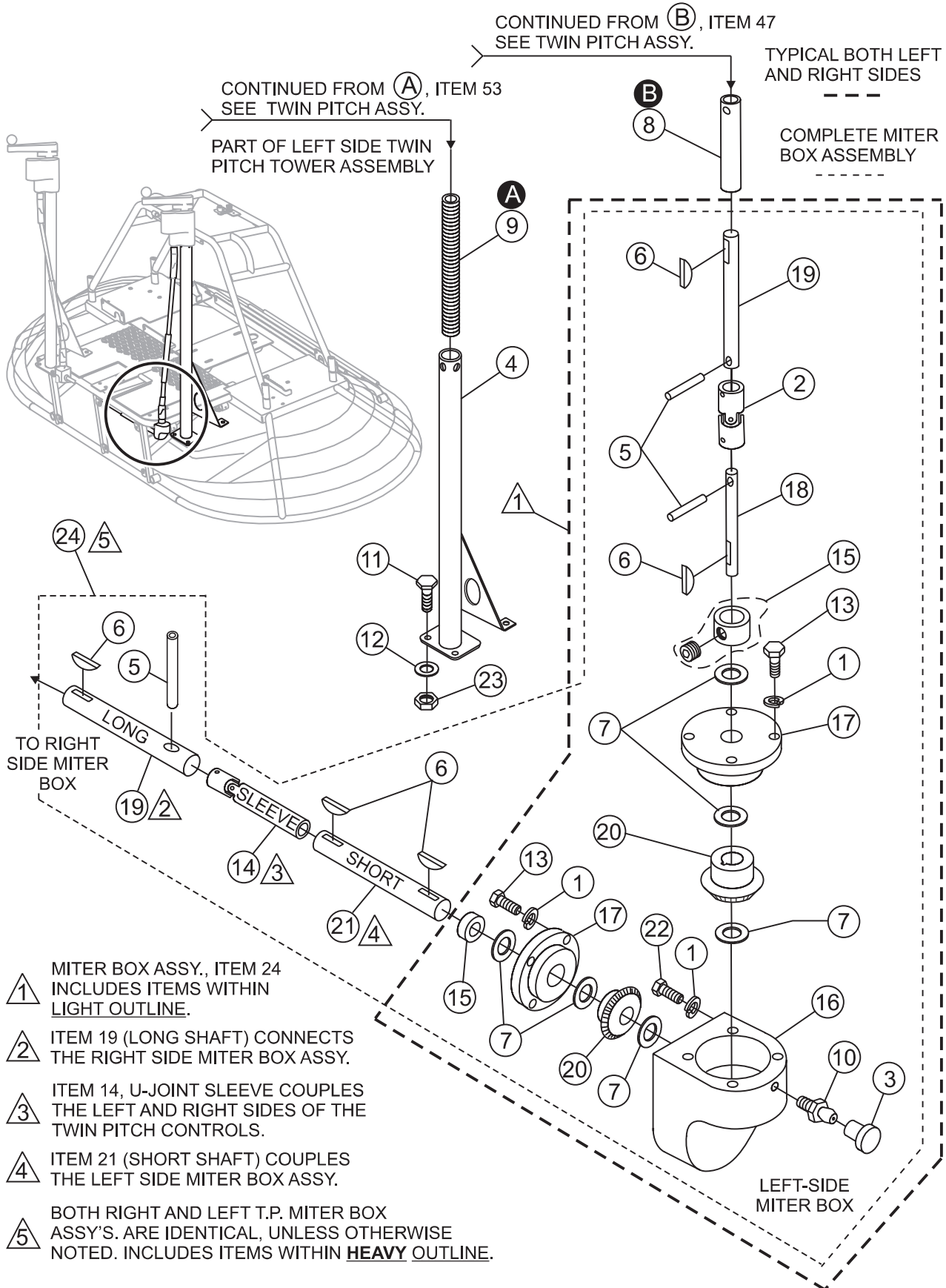
TWIN PITCH ASSY. (R/L)

<u>NO.</u>	<u>PART NO.</u>	<u>PART NAME</u>	<u>QTY.</u>	<u>REMARKS</u>
31+%	2170	BEARING, RACE, TORR #TRA 1220	3	
32+%	1604	BEARING, BALL THRUST	1	
33+%	1612	BEARING, ALUM – PITCH CONTROL	1	
34+%	2169	BEARING, THRUST, TORR #NTA 1220	1	
35+%	2367	SET COLLAR.....	1	INCLUDES ITEM W/n
36+%	0685	SCREW, SHS 5/16-18 X 5/16	1	
37+%	0126	KEY, WOODRUFF #606 3/16 x 3/4 (#9)	1	
38+	10511	SHAFT, PITCH CONTROL, LH TPC.....	1	LEFT SIDE ONLY
39%	10510	SHAFT, PITCH CONTROL, RH TPC.....	1	RIGHT SIDE ONLY
40+%	1733	WASHER, 1/32 X 1/2 HARDENED	4	
41+%	2007	SHAFT	1	
42+%	1578	KEY, WOODRUFF, #3	1	
43+%	11654	PIN, ROLL 1/8 X 1 PLATED	1	
44+%	2311	SPACER, 3/4 X 1/2 X 0.8L	1	
45+%	11583	U-JOINT, PITCH CONTROL	1	
46+%	1586	PIN, ROLL 1/8 X 3/4	1	
47+%	12365	SHAFT, PITCH CONTROL	1	
48+	10722	SLIDE BLOCK, LH PITCH CONTROL	1	LEFT SIDE ONLY
49%	10721	SLIDE BLOCK, RH PITCH CONTROL.....	1	RIGHT SIDE ONLY
50+%	10382	BOLT, SHOULDER 3/8 X 3/8 LONG	1	
51+%	10723	PIN, SPIROL 3/16 X 1 3/8 HD	1	
52+%	2008	CABLE, PITCH ASSEMBLY	1	
52+%	12460	CABLE, PITCH ASSEMBLY	1	
53+%	1116	NUT, BRASS JAM 5/16-18	2	

NOTICE

Indicated quantities are for one pitch tower. If ordering for two pitch towers, double quantity.

TWIN PITCH MITER BOX ASSY. (R/L)



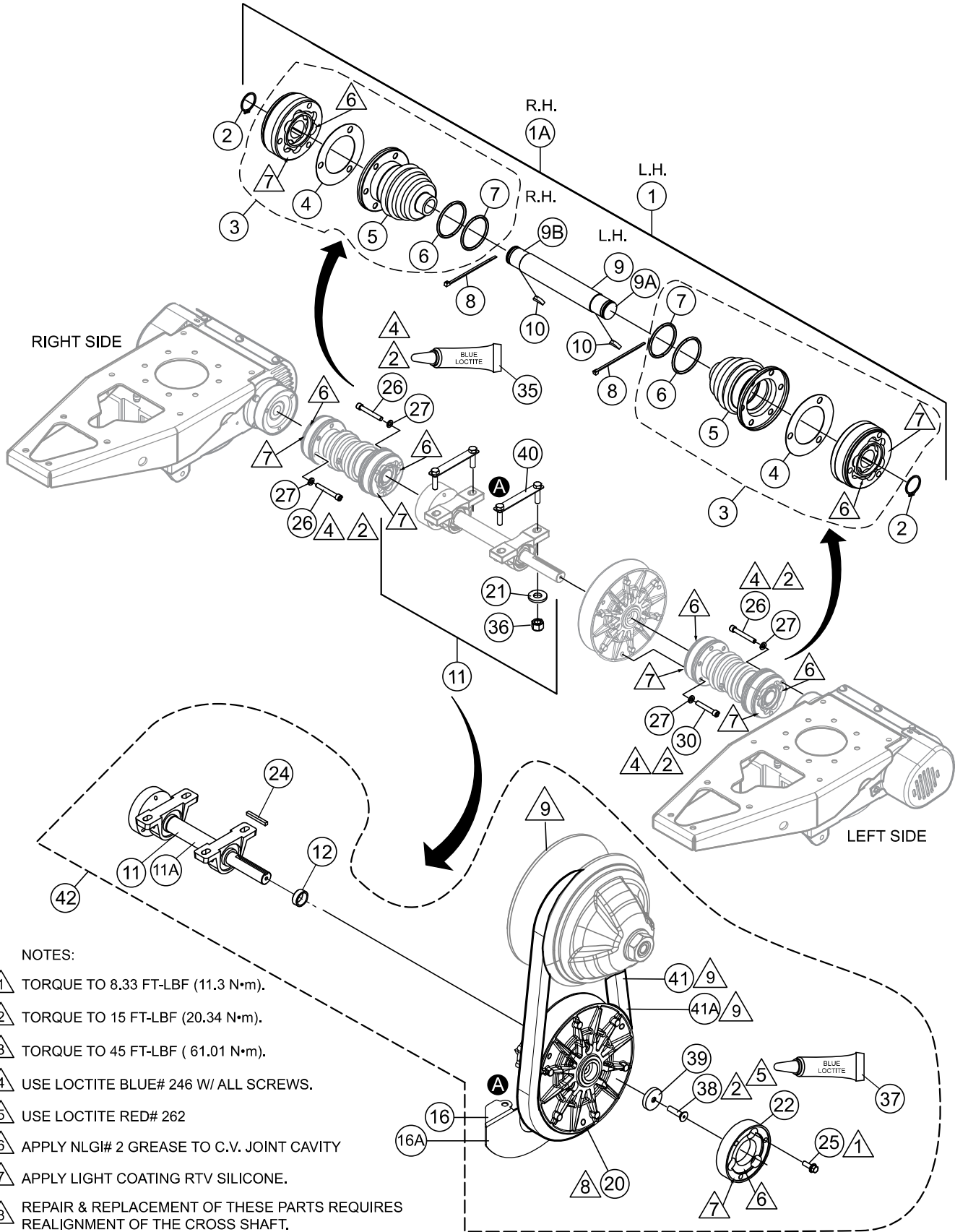
TWIN PITCH MITER BOX ASSY. (R/L)

<u>NO.</u>	<u>PART NO.</u>	<u>PART NAME</u>	<u>QTY.</u>	<u>REMARKS</u>
1@	0181 B	WASHER, LOCK, 1/4 MED	10	
2@	1536	U-JOINT, PITCH CONTROL	1	
2@	11583	U-JOINT, PITCH CONTROL	1	
3@	1162 A	CAP, GREASE ZERK	1	
4	10548	TUBE, PITCH CONTROL	1	
5@	11654	PIN, ROLL 1/8 X 1"	3	
6@	1578	KEY, WOODRUFF, #3	6	
7@	1733	WASHER, 1/32 X 1/2 HARDENED	6	
8	2012	SLEEVE, ADJ – LONG, RIDER	1	
9	2156	SPRING, COIL	1	
10@	2621	ZERK, GREASE STR 1/4– 28	1	
11	0202	SCREW, HHC 5/16–18 X 1	4	
12	0300 B	WASHER, FLAT, 5/16 SAE	4	
13@	0730	SCREW, HHC 1/4–20 X 1	8	
14@	11653	SLEEVE, W/U-JOINT	1	
15@	1577	SET COLLAR, 1/2	1	
16@	1987	MITER BOX, PITCH CONTROL	1	
17@	1988	MITER BOX, BEARING CAP RIDERS	1	
18@	2023	SHAFT	1	
18@	2021	SHAFT, MITER VERTICAL	1	
19@	2022	SHAFT, MITER	2	
20@	2062	GEAR, MITER	1	
21@	2845	SHAFT, MITER BOX HORIZ	1	
22@	4514	SCREW, HHC 1/4 –20 X 5/8	4	
23	5283	NUT, NYLOC 5/16 –18	4	
24	11655	MITER BOX ASSEMBLY	1.....	INCLUDES ITEMS W/@

NOTICE

Indicated quantities are for one miter box. If ordering for two miter boxes, double quantity.

DRIVE ASSY.



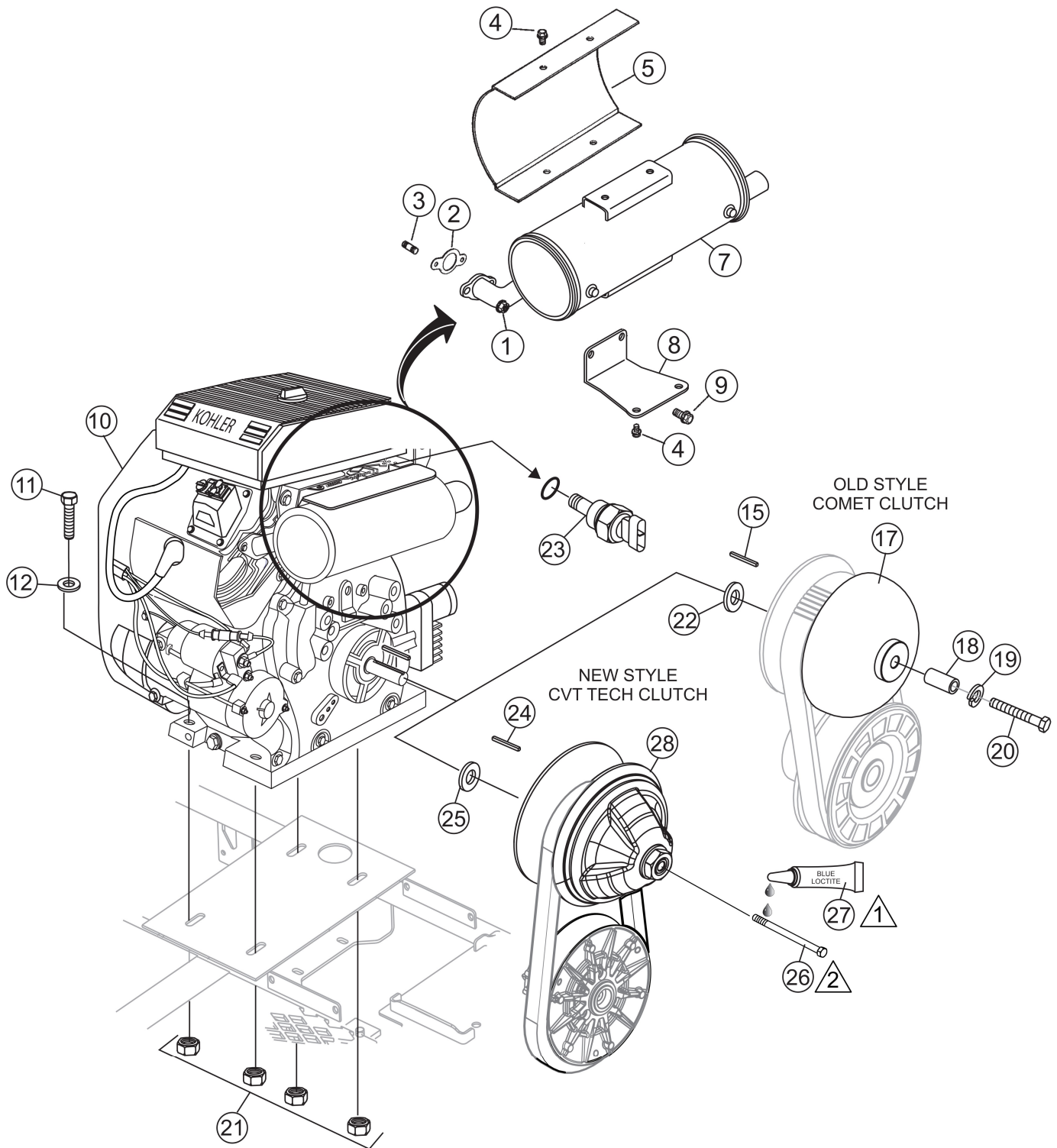
NOTES:

- ① TORQUE TO 8.33 FT-LBF (11.3 N·m).
- ② TORQUE TO 15 FT-LBF (20.34 N·m).
- ③ TORQUE TO 45 FT-LBF (61.01 N·m).
- ④ USE LOCTITE BLUE# 246 W/ ALL SCREWS.
- ⑤ USE LOCTITE RED# 262
- ⑥ APPLY NLG# 2 GREASE TO C.V. JOINT CAVITY
- ⑦ APPLY LIGHT COATING RTV SILICONE.
- ⑧ REPAIR & REPLACEMENT OF THESE PARTS REQUIRES REALIGNMENT OF THE CROSS SHAFT.
- ⑨ NOT INCLUDED WITH CLUTCH DRIVE ASSEMBLY, P/N 23631.

DRIVE ASSY.

<u>NO.</u>	<u>PART NO.</u>	<u>PART NAME</u>	<u>QTY.</u>	<u>REMARKS</u>
1	23636	CV JOINT ASSY., LH.....	1.....	INCLUDES ITEMS W/@
1A	23630	CV JOINT ASSY., RH	1.....	INCLUDES ITEMS W/\$
2@\$	2090	SNAP RING, TRUARC#5100-106 1.062 DIA X .056	2	
3@\$	2052	C.V. JOINT, COUPLING W/ BOOT.....	2.....	INCLUDES ITEMS W/%
4@\$%	11108	GASKET, C.V. JOINT BOOT RIDERS	2	
5@\$%	2259	BOOT ASSY, C.V. JOINT RIDERS.....	2.....	INCLUDES ITEMS W/#
6@#\$%	22219	O-RING, SIZE 2-228N-90 2.25 DIA X .125	2	
7@#\$%	22220	O-RING, SIZE 2-225N-90 1.875 DIA. X .125	2	
8@\$	1662	TIE, CABLE TY-RAP BLACK	2	
9@	2122	SHAFT, C.V. JOINT, LH 8.50 LG	1.....	6/02/2007 & LATER
9A@	2074	SHAFT, C.V. JOINT, RH 10.75 LG	1.....	6/01/2007 & BEFORE
9B\$	10748	SHAFT, CV JOINT, RH 10.81 LONG	1	
10@\$	0126	KEY, WOODRUFF #606 3/16" X 3/4" (#9)	4	
11◆	23632	DRIVE, CROSS SHAFT ASSY., CV TECH	1	
11A	32581-SK	SERVICE KIT, CROSS SHAFT ASSY., COMET	1	
16	22121	BRACKET, BELT GUARD SUPPORT	1.....	5/01/2007 & LATER
16A	21491	PANEL, SPLASH	1.....	4/30/2007 & BELOW
20◆	23635	CLUTCH, DRIVEN, CV TECH	1	
20A	21475-1	CLUTCH, DRIVEN, COMET	1	
21	13351	WASHER, FLAT 3/8 EXT THICK HIGH STRGTH	4	
22◆	23480	COUPLER, CV JOINT	1	
23	11773	SHIM, STEEL .031 X 1.5 DIA. X 1.0 DIA.	AR	
24◆	6059 B	KEY, 1/4 SQ. X 2.00	1	
25◆	17108	SCREW, SHC 5/16-18 X 1- 3/4	3	
26	2186	SCREW, SHC 5/16-16 X 2-1/4" PLTD	9	
27	0161 C	WASHER, LOCK, 5/16" MED	12	
30	0243	SCREW, SHC 5/16- 18 X 1-3/4"	3	
35	60097	LOCTITE, BLUE #246	AR	
36	10133	NUT, NYLOC 3/8-16	4	
37	60090	LOCTITE, RED #262	AR	
38◆	9092	SCREW, FHCS 5/16-18 X 1-1/4" NYLON PATCH	1	
39◆	23484	RETAINER, DRIVEN CLUTCH	1	
40	20186	PLATE, BEARING MOUNT	2	
41	23513	BELT, CV TECH	1	
41A	20138	BELT, COMET	1	
42	23631	DRIVE ASSEMBLY, CV TECH CLUTCH	1.....	INCLUDES ITEMS W/◆

ENGINE/MUFFLER/BELT ASSY. (HTN27K)



▲ 1 USE LOCTITE BLUE# 246 W/ ALL SCREWS.

▲ 2 TORQUE TO 45 FT-LBF (61.01 N•m).

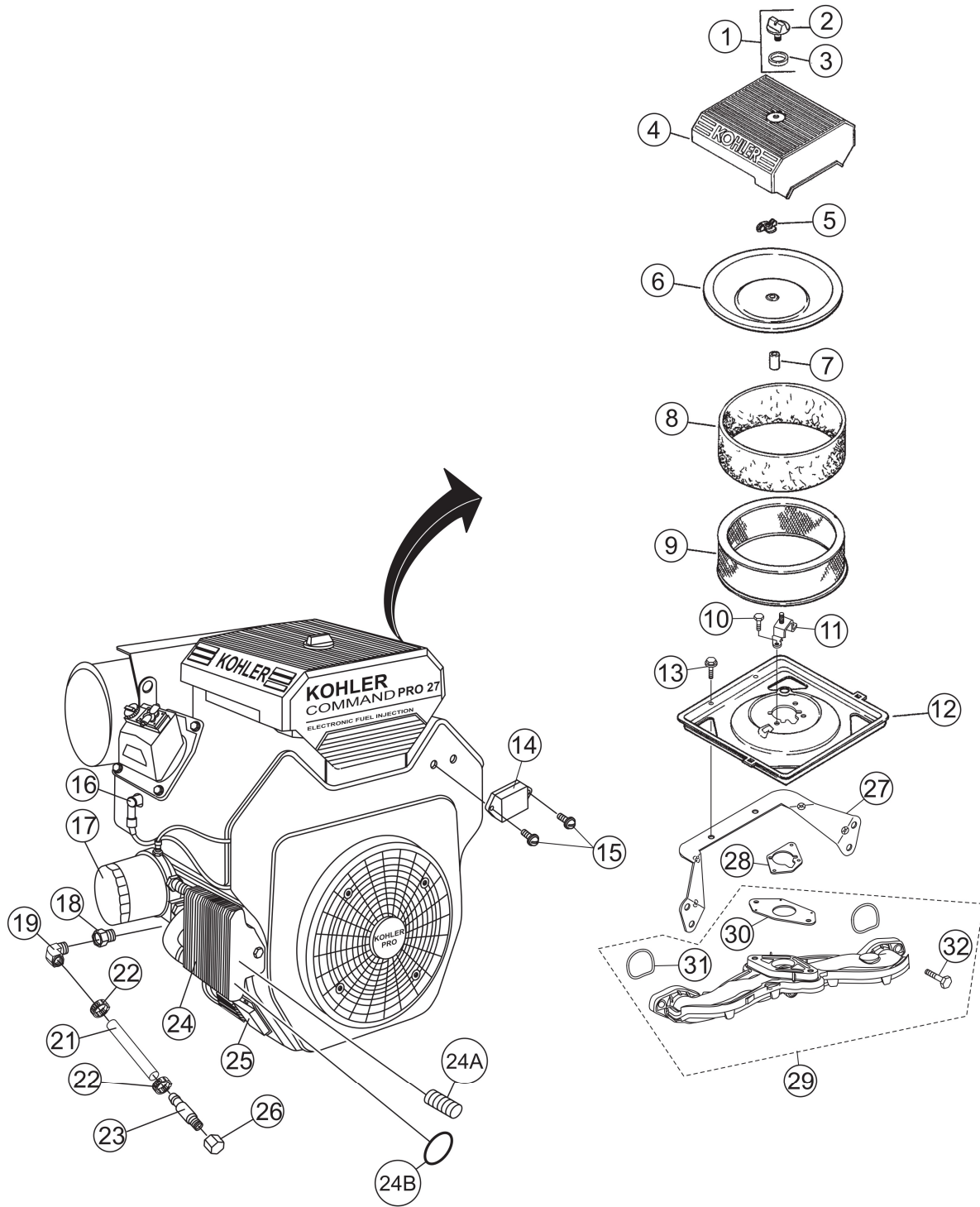
ENGINE/MUFFLER/BELT ASSY. (HTN27K)

<u>NO.</u>	<u>PART NO.</u>	<u>PART NAME</u>	<u>QTY.</u>	<u>REMARKS</u>
1	M841080S	NUT, FLANGE MUFFLER	4	
2	2404149S	GASKET, EXHAUST MANIFOLD	2	
3	2507204S	STUD, EXHAUST	4	
4	M650012S	SCREW, HEX FLANGE	4	
5	2431404S	INNER HEAT SHIELD, MUFFLER	1	
7	2406836S	MUFFLER, O.F. SIDE OUTLET	1	
8	2412690S	BRACKET, MUFFLER	1	
9	M839020S	SCREW, HEX FLANGE	2	
10	21421	ENGINE, KOHLER, 1 X 7/16 OD, SHAFT	1	SN# VH0207065 & BELOW
10	22608	ENGINE, KOHLER, 1 X 1/8 OD. SHAFT	1	SN# UC0207255 & ABOVE
11	1207	SCREW, HHC 5/16-18 X 1-3/4	4	
12	0300 B	WASHER, FLAT 5/16 SAE	8	
15	20444	KEY, 0.25 SQ X 2.75.....	1	SN# VH0207065 & BELOW
17	20846-1	CLUTCH, 1-7/16 CVT COMET	1	SN# VH0207065 & BELOW
18	21528	SPACER, 1.415 O.D. X .66 I.D. X 1.5 L.....	1	SN# VH0207065 & BELOW
19	4703	WASHER, LOCK, 5/8 MED.....	1	SN# VH0207065 & BELOW
20	21316	SCREW, HHC 5/8-18 X 3	1	SN# VH0207065 & BELOW
21	5283	NUT, NYLOC 5/16-18	4	
22	21489	WASHER, FLAT 1.437 X .032 THK.....	1	SN# VH0207065 & BELOW
23	2509927S	OIL PRESSURE SWITCH	1	
24	22632	KEY, STEEL, .188 X .250 X 2.063	1	SN# UC0207255 & ABOVE
25	23590	SPACER, UPPER CLUTCH.....	1	SN# UC0207255 & ABOVE
26	20264	SCREW, HHC 7/16-20 X 3.5"	1	SN# UC0207255 & ABOVE
27	60047	LOCTITE, BLUE #246	AR	SN# UC0207255 & ABOVE
28	23639	DRIVE ASSY., CV TECH CLUTCH.....	1	SN# UC0207255 & ABOVE

NOTICE

For a complete replacement of the CVT Comet Clutch (Old Style), order P/N 20846-1. There are no individual components for P/N 20846-1, assembly only.

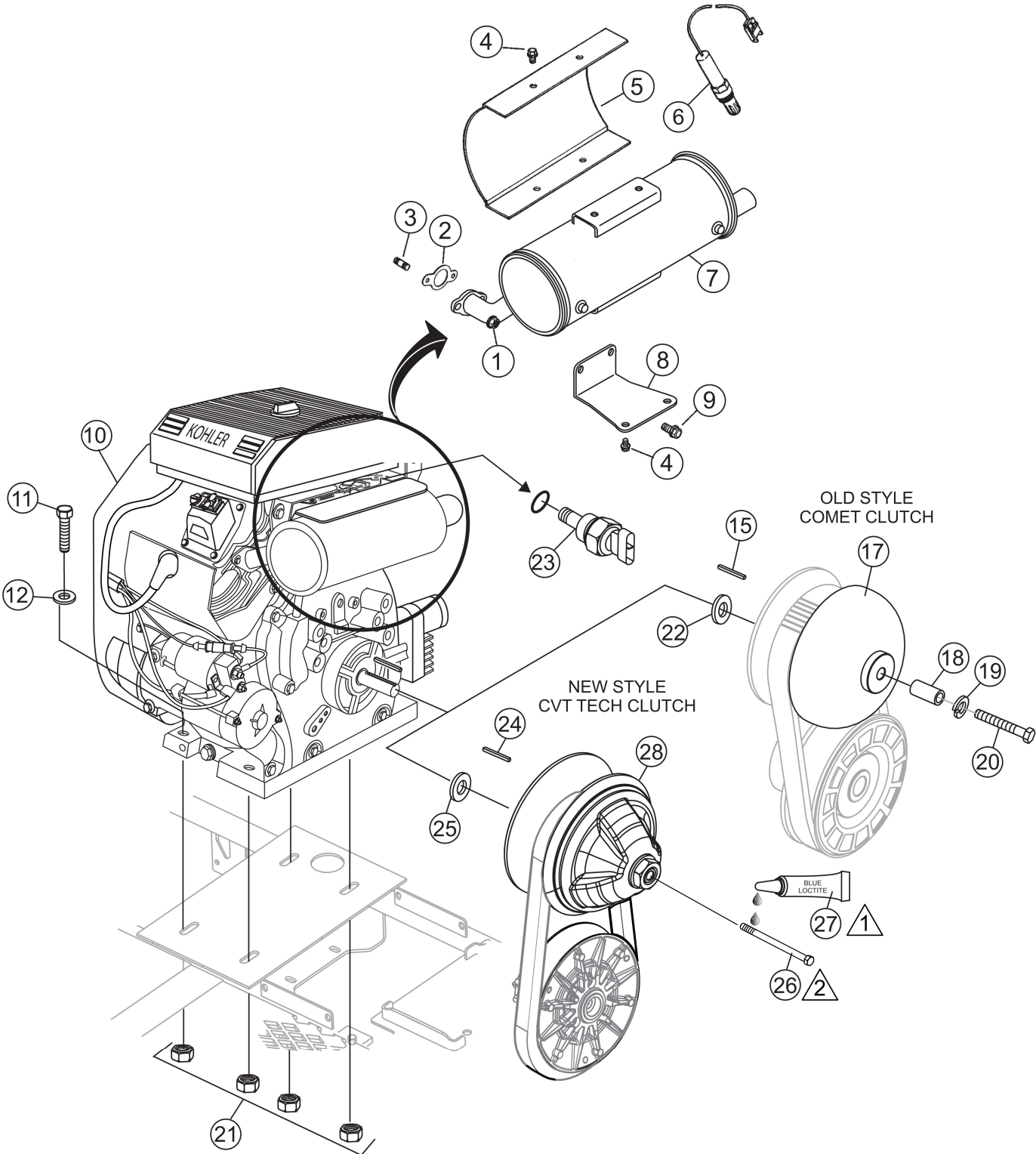
FILTERS/COOLER ASSY. (HTN27K)



FILTERS/COOLER ASSY. (HTN27K)

<u>NO.</u>	<u>PART NO.</u>	<u>PART NAME</u>	<u>QTY.</u>	<u>REMARKS</u>
1	5475501S	KIT, KNOB W/SEAL	1	INCLUDES ITEMS W/@
2@	2534104S	KNOB, AIR CLEANER COVER	1	
3@	2415320S	O-RING	1	
4	2409667S	COVER, AIR CLEANER	1	
5	1210001S	WINGNUT	1	
6	2409601S	COVER, INNER AIR CLEANER	1	
7	230046S	SEAL BREATHER	1	
8	2408305S	ELEMENT, PRE-CLEANER	1	
9	2408303S	ELEMENT, AIR FILTER	1	
10	2408653S	SCREW, HEX. FLANGE M6X1.0X16	2	
11	2412688S	BRACKET, AIR CLEANER BASE	1	2/17/2011 AND BELOW
11	241262266S	BRACKET, AIR CLEANER	1	2/17/2011 AND ABOVE
12	2409437S	BASE, A/C W/STRTR SIDE DIMPLE	1	2/17/2011 AND BELOW
12	2409488S	KIT, AIR CLEANER BASE	1	2/17/2011 AND ABOVE
13	2404106S	GASKET, AIR CLEANER BASE	1	2/17/2011 AND BELOW
13	M545010S	SCREW, FLG THD FRM M5X 8X10	1	2/17/2011 AND ABOVE
14	2655	HOUR METER	1	2/17/2011 AND BELOW
14	TBD	HOUR METER.....	1	2/17/2011 AND ABOVE
15	8239	RIVET, POP 1/8 DIA X .400 ALUMINUM	2	
16	2513212	SPARK PLUG	2	
17	5205002S	FILTER, OIL	1	
18	19317	PLUG, OIL DRAIN	1	
19	370628	FITTING, BRASS 45 6 BARB 1/4MP	1	
21	60045	HOSE, 3/8 ID PUSHLOCK	1	
22	22067	CLAMP, HOSE WORM 1/4 - 5/8	2	
23	12237	FITTING, PUSH-ON 6 HOSE 6MJ	1	
24	5475521S	ALUMINUM BASE OIL COOLER	1	INCLUDES ITEMS W/#
24A#	2813601S	NIPPLE, OIL FILTER	1	
24B#	2415321S	O-RING, OIL COOLER	1	
25	2540305S	REGULATOR, RECTIFIER	1	
26	12236	FITTING, CAP 6F JHEX	1	
27	24126130S	BRACKET, AIR CLEANER	1	
28	2404106S	GASKET, AIR CLEANER BASE	1	
29	2416454S	MANIFOLD, INTAKE	1	INCLUDES ITEMS W/%
			2/17/2011 AND ABOVE
29	2416493S	MANIFOLD, INTAKE	1	INCLUDES ITEMS W/%
				2/17/2011 AND ABOVE
30%	2404153S	GASKET, CARBURETOR	1	
31%	2415327S	O-RING, INTAKE PORT	2	
32%	M651040S	SCREW, HEX. FLANGE M6X1.0X40	4	

ENGINE/MUFFLER/CLUTCH ASSY. (HTN28K)



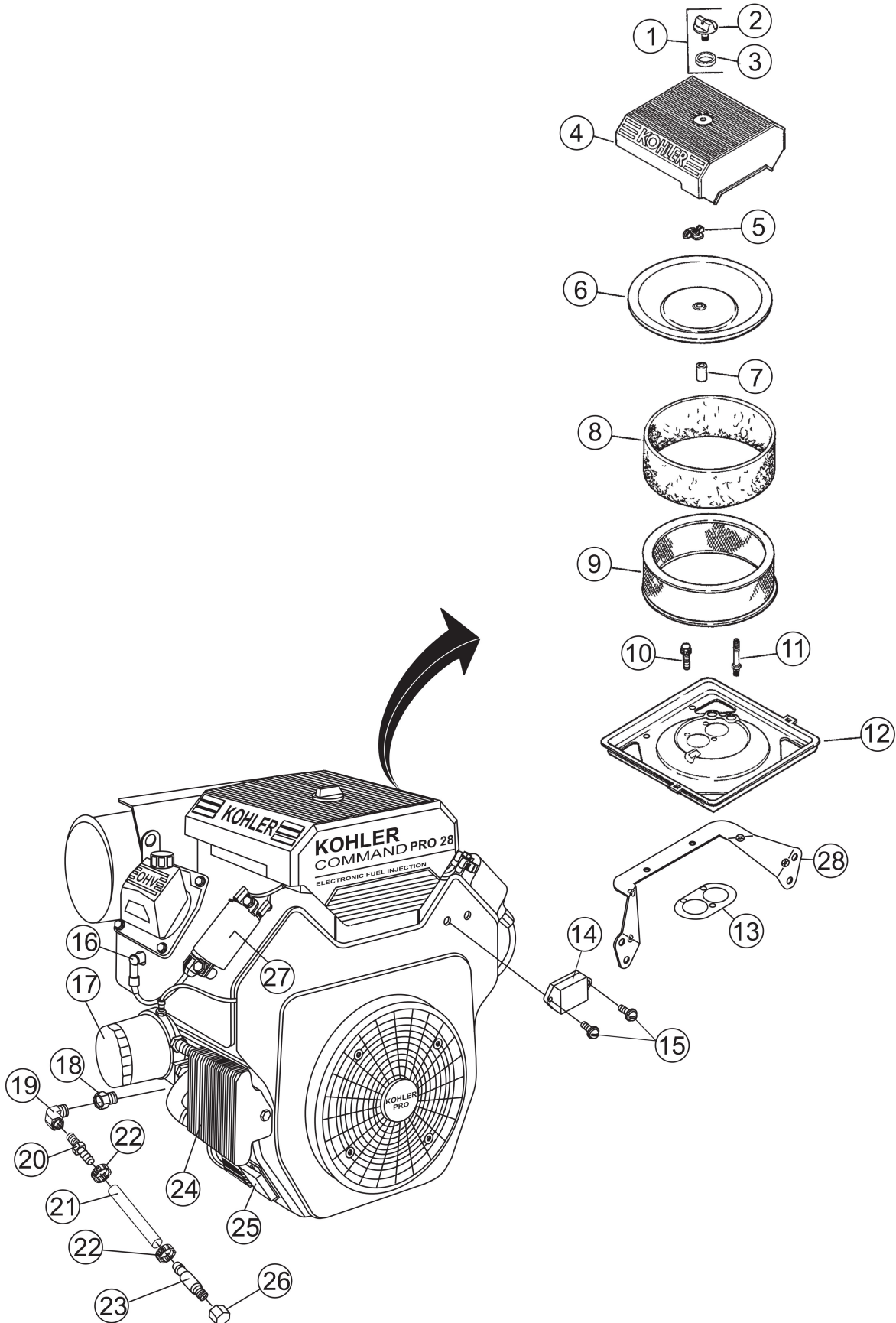
1 USE LOCTITE BLUE# 246 W/ ALL SCREWS.

2 TORQUE TO 45 FT-LBF (61.01 N•m).

ENGINE/MUFFLER/CLUTCH ASSY. (HTN28K)

<u>NO.</u>	<u>PART NO.</u>	<u>PART NAME</u>	<u>QTY.</u>	<u>REMARKS</u>
1	M841080S	NUT, FLANGE MUFFLER	4	
2	2404149S	GASKET, EXHAUST MANIFOLD	2	
3	2507204S	STUD, EXHAUST	4	
4	M650012S	SCREW, HEX FLANGE	4	
5	2431421S	INNER HEAT SHIED, MUFFLER	1	
6	2441805S	SENSOR, OXYGEN	1	
7	2406851S	MUFFLER	1	
8	2412690S	BRACKET, MUFFLER	1	
9	M839020S	SCREW, HEX FLANGE	2	
10	21422	ENGINE, KOHLER EFI, 1 X 7/16 OD, SHAFT ..1.....	1	SN# VH0207065 & BELOW
10	22607	ENGINE, KOHLER EFI, 1 X 1/8 OD, SHAFT1.....	1	SN# UC0207255 & ABOVE
11	1207	SCREW, HHC 5/16 -18 X 1-3/4	4	
12	300 B	WASHER, FLAT 5/16 SAE	8	
15	20444	KEY, 0.25 SQ X 2.75	1	SN# VH0207065 & BELOW
17	20846-1	CLUTCH, 1 - 7/16 CVT COMET	1	REPLACES P/N 20846
			SN# VH0207065 & BELOW
18	21528	SPACER, 1.415 O.D. X .66 I.D. X 1.5 L	1	SN# VH0207065 & BELOW
19	4703	WASHER, LOCK, 5/8 MED	1	SN# VH0207065 & BELOW
20	21316	SCREW, HHC 5/8 - 18 X 3	1	SN# VH0207065 & BELOW
21	5283	NUT, NYLOC 5/16-18	4	
22	21489	WASHER, FLAT 1.437 X .032 THK	1	SN# VH0207065 & BELOW
23	2509927S	OIL PRESSURE SWITCH	1	
24	22632	KEY, STEEL, .188 X .250 X 2.063	1	SN# UC0207255 & ABOVE
25	23590	SPACER, UPPER CLUTCH.....	1	SN# UC0207255 & ABOVE
26	20264	SCREW, HHC 7/16-20 X 3.5"	1	SN# UC0207255 & ABOVE
27	60047	LOCTITE, BLUE #246	AR	SN# UC0207255 & ABOVE
28	23639	DRIVE ASSY., CV TECH CLUTCH.....	1	SN# UC0207255 & ABOVE

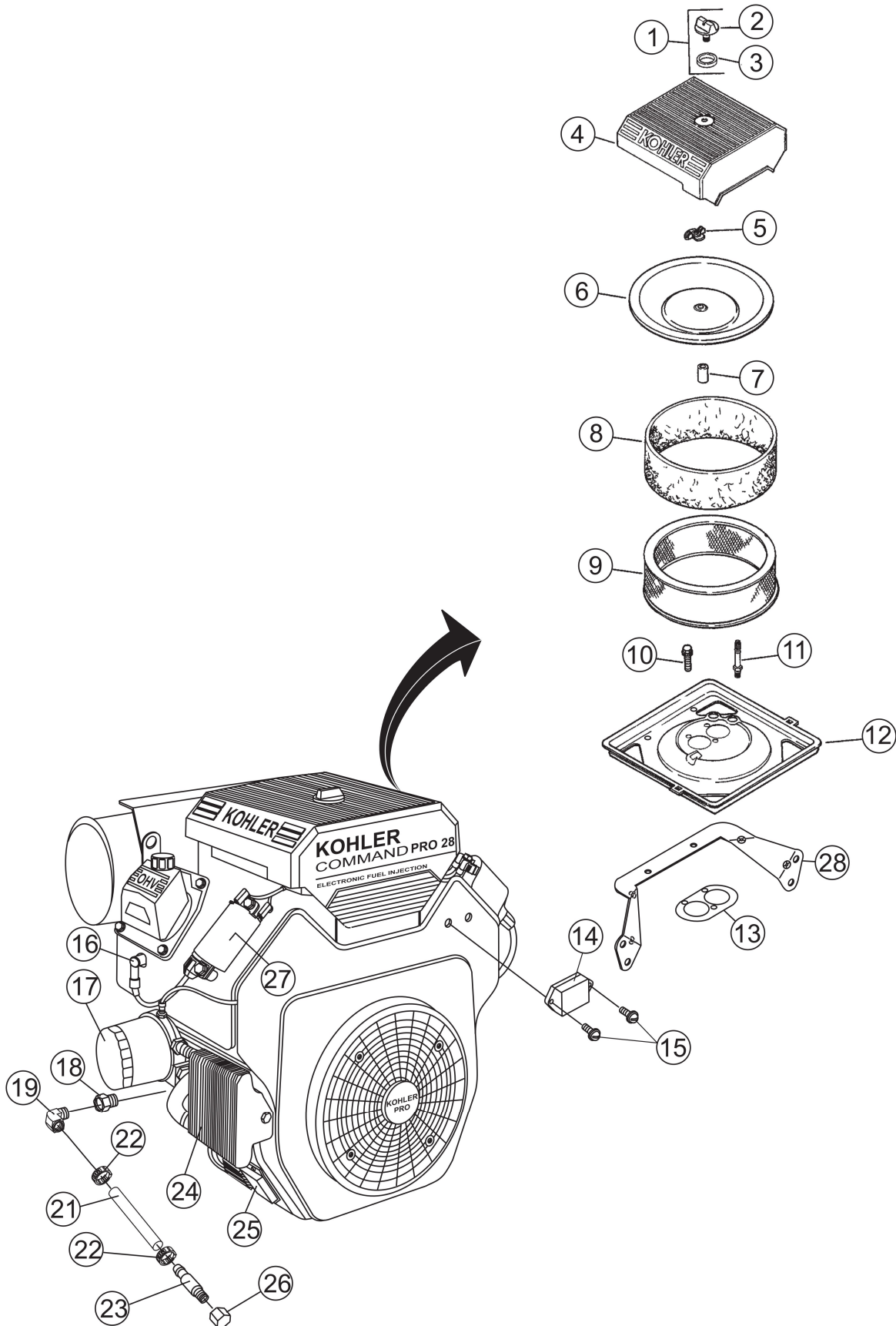
FILTERS/COOLER ASSY. (S/N VH0207065 & BELOW)



FILTERS/COOLER ASSY. (S/N VH0207065 & BELOW)

<u>NO.</u>	<u>PART NO.</u>	<u>PART NAME</u>	<u>QTY.</u>	<u>REMARKS</u>
1	5475501S	KIT, KNOB W/SEAL	1.....	INCLUDES ITEMS W/@
2@	2534104S	KNOB, AIR CLEANER COVER	1	
3@	2415320S	O-RING	1	
4	2409667S	COVER, AIR CLEANER	1	
5	1210001S	WINGNUT	1	
6	2409601S	COVER, INNER AIR CLEANER	1	
7	2403212S	SEAL BREATHER	1	
8	2408305S	ELEMENT, PRE-CLEANER	1	
9	2408303S	ELEMENT, AIR FILTER	1	
10	2408654S	SCREW, M6 X1X12	2	
11	2407207S	STUD	1	
12	2409435S	BASE, AIR CLEANER	1	
13	2404136S	GASKET, AIR CLEANER BASE 1		
14	2655	HOUR METER	1	
15	8239	RIVET, POP 1/8 DIA X .400 ALUMINUM	2	
16	1213202S	SPARK PLUG	2	
17	1205001S	FILTER, OIL 1		
18	19317	PLUG, OIL DRAIN	1	
19	TBD	FITTING, 90 DEGREE	1	
20	370628	FITTING, BRASS 45 6 BARB 1/4MP	1	
21	60045	HOSE, 3/8 ID PUSHLOCK	1	
22	1947	CLAMP, HOSE WORM 1/4 - 5/8	2	
23	12237	FITTING, PUSH-ON 6 HOSE 6MJ	1	
24	2459431S	KIT, COOLER	1	
25	2540308S	REGULATOR, RECTIFIER EFI	1	
26	12236	FITTING,CAP 6F JHEX	1	
27	2451902S	COIL, IGNITION	2	
28	24126130S	BRACKET, AIR CLEANER BASE	1	

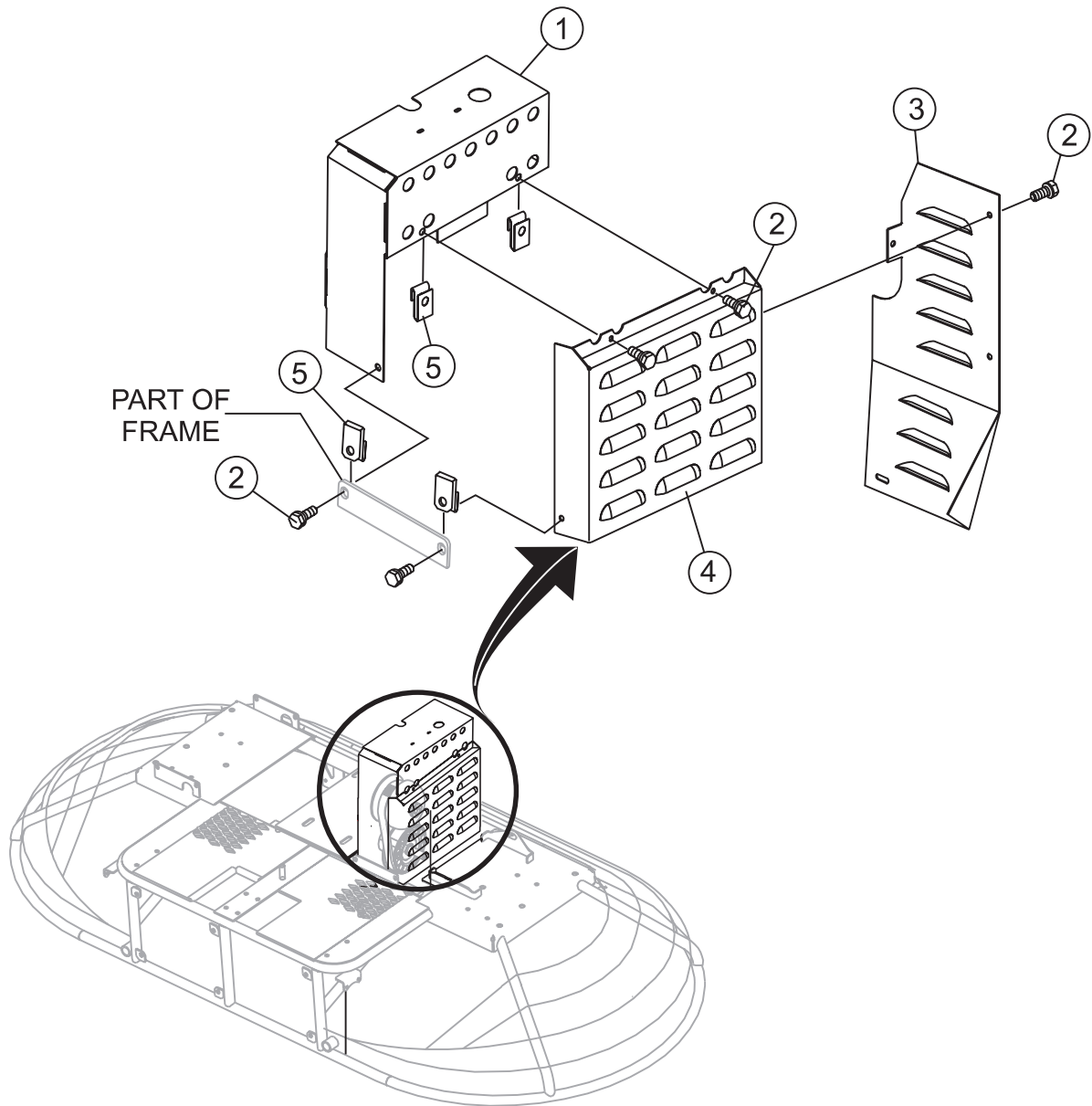
FILTERS/COOLER ASSY. (S/N UC0207255 & ABOVE)



FILTERS/COOLER ASSY. (S/N UC0207255 & ABOVE)

<u>NO.</u>	<u>PART NO.</u>	<u>PART NAME</u>	<u>QTY.</u>	<u>REMARKS</u>
1	5475501S	KIT, KNOB W/SEAL	1.....	INCLUDES ITEMS W/@
2@	2534104S	KNOB, AIR CLEANER COVER	1	
3@	2415320S	O-RING	1	
4	2409667S	COVER, AIR CLEANER	1	
5	1210001S	WINGNUT	1	
6	2409601S	COVER, INNER AIR CLEANER	1	
7	2403212S	SEAL BREATHER	1	
8	2408305S	ELEMENT, PRE-CLEANER	1	
9	2408303S	ELEMENT, AIR FILTER	1	
10	2408654S	SCREW, M6 X1X12	2	
11	2407207S	STUD	1	
12	2409435S	BASE, AIR CLEANER	1	
13	2404136S	GASKET, AIR CLEANER BASE	1	
14	2655	HOUR METER	1	
15	8239	RIVET, POP 1/8 DIA X .400 ALUMINUM	2	
16	1213202S	SPARK PLUG	2	
17	1205001S	FILTER, OIL	1	
18	19317	PLUG, OIL DRAIN	1	
19	370628	FITTING, BRASS 45 6 BARB 1/4MP	1	
21	60045	HOSE, 3/8 ID PUSHLOCK	1	
22	22067	CLAMP, HOSE WORM 1/4 - 5/8	2	
23	12237	FITTING, PUSH-ON 6 HOSE 6MJ	1	
24	2459431S	KIT, COOLER	1	
25	2540308S	REGULATOR, RECTIFIER EFI	1	
26	12236	FITTING, CAP 6F JHEX	1	
27	2451902S	COIL, IGNITION	2	
28	24126130S	BRACKET, AIR CLEANER BASE	1	

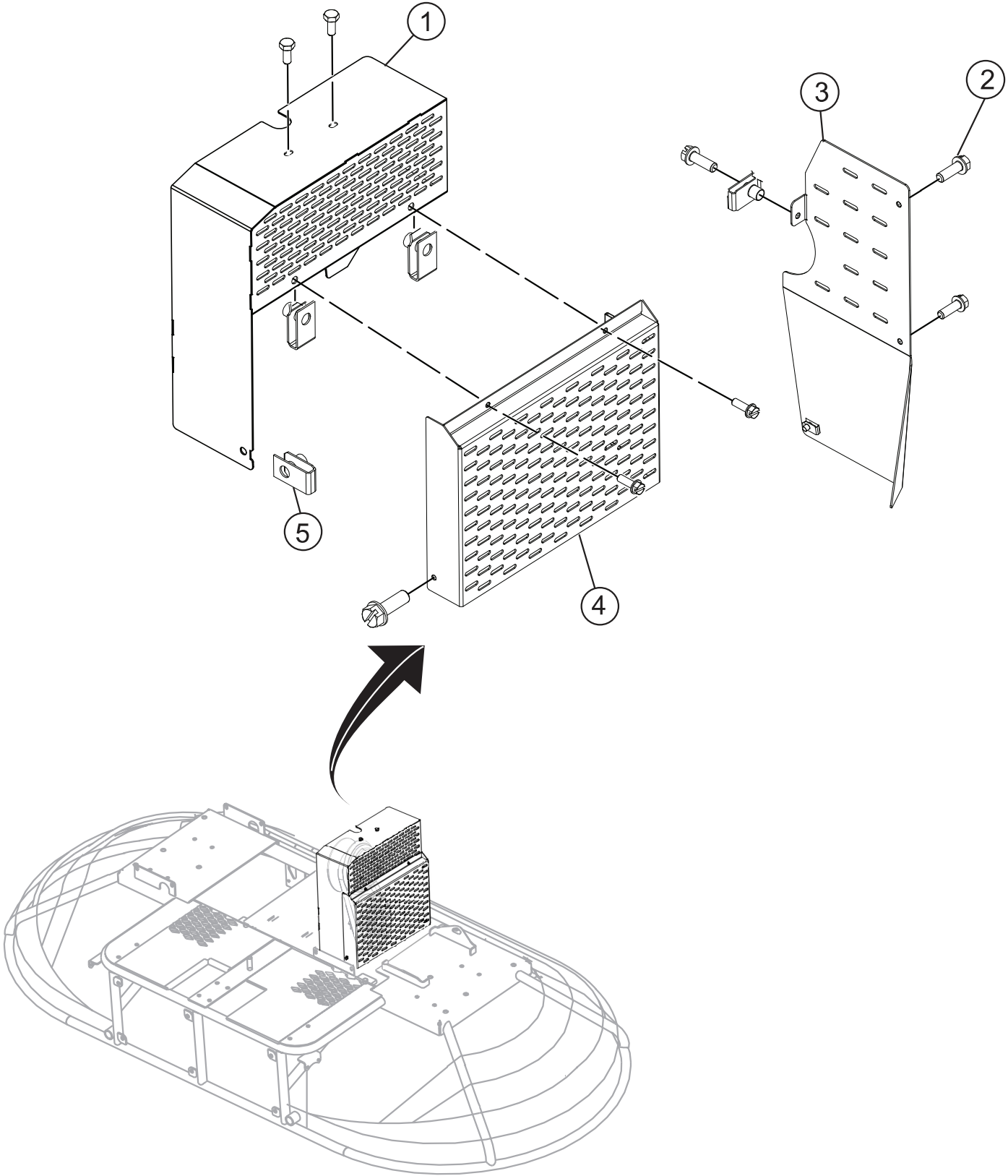
V-BELT COVER/SHIELD ASSY. (S/N ZE0205199 & BELOW)



V-BELT COVER/SHIELD ASSY. (S/N ZE0205199 & BELOW)

<u>NO.</u>	<u>PART NO.</u>	<u>PART NAME</u>	<u>QTY.</u>	<u>REMARKS</u>
1	21462	SHIELD, MUFFLER OUTER	1	
2	11819	SCREW, HHC FLANGED 1/4-20X3/4"	7	
3	21312	GUARD, BELT REAR	1.....	5/1/2007 AND BELOW
4	21309	GUARD, BELT	1.....	5/5/2007 AND BELOW
5	11534	NUT, U-TYPE 1/4-20	7	

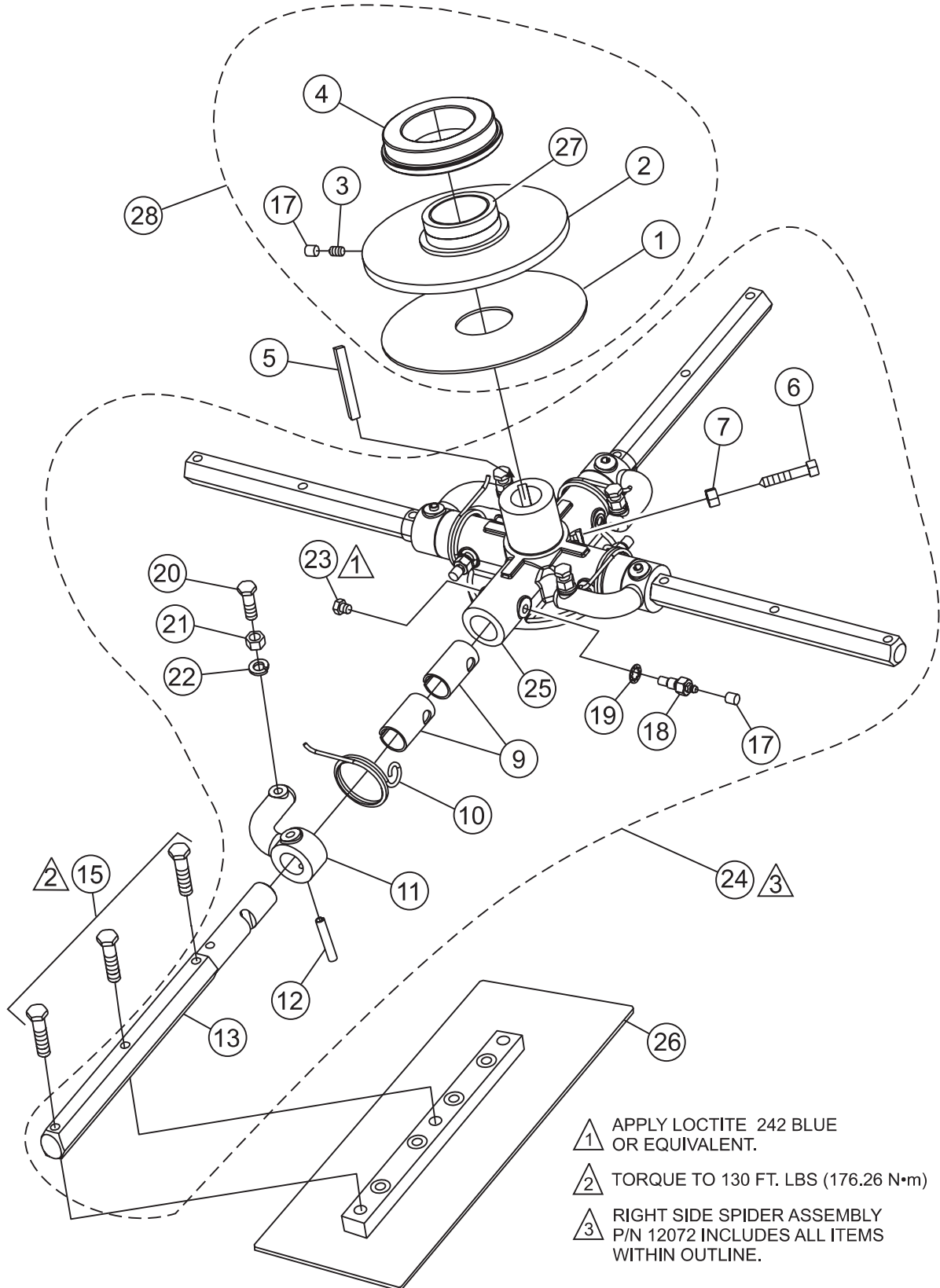
V-BELT COVER/SHIELD ASSY. (S/N UC0207255 & ABOVE)



V-BELT COVER/SHIELD ASSY. (S/N UC0207255 & ABOVE)

<u>NO.</u>	<u>PART NO.</u>	<u>PART NAME</u>	<u>QTY.</u>	<u>REMARKS</u>
1	22124	SHIELD, MUFFLER OUTER	1	
2	11819	SCREW, HHC FLANGED 1/4-20X3/4"	7	
3	22120	GUARD, BELT REAR.....	1.....	5/2/2007 AND ABOVE
4	22119	GUARD, BELT SIDE	1.....	5/5/2007 AND ABOVE
5	11534	NUT, U-TYPE 1/4-20	7	

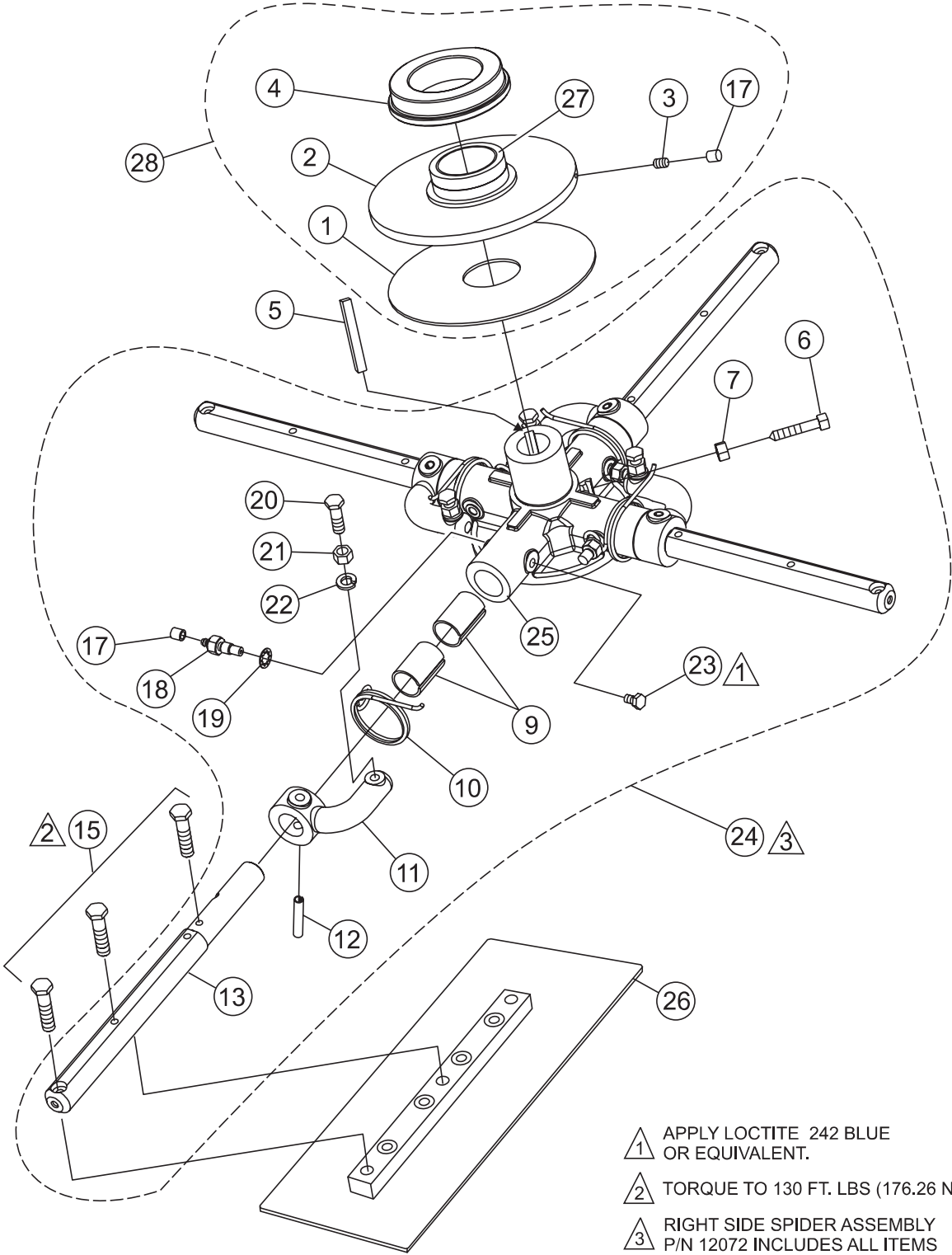
SPIDER ASSY. (R)



SPIDER ASSY. (R)

<u>NO.</u>	<u>PART NO.</u>	<u>PART NAME</u>	<u>QTY.</u>	<u>REMARKS</u>
1%	11419	PLATE, WEAR THRUST COLLAR	1	
2%	11431	THRUST COLLAR W/ BUSHING	1	INCLUDES ITEMS W/+
3%	2621	ZERK, GREASE STR 1/4 - 24	1	
4%	12779	BEARING, THRUST 6017 2RS W/ FLANGE	1	
5	9193	KEY, 5/16 SQ. X 2-5/8 HRDND.....	1	REPLACES P/N 12101
6@	12097	SCREW, SQHS 3/8-16 X 1-3/4 CONE 8	2	
7@	1456	NUT, HEX FINISH 3/8-16	2	
9@	11039	BUSHING, TROWEL ARM 2-PIECE	8	
10@	11594	SPRING, TROWEL ARM LEVER RIGHT	4	
11@	11904-1	LEVER, TROWEL ARM HAND RIDE SIDE	4	
12@	9006	PIN, ROLL 5/16 X 2 NO PLATE	4	
13@	2829-1	ARM, TROWEL HD EXT.	4	
15@	23644	KIT, BOLT SAE BLADE	1	
17@	1162 A	CAP, GREASE ZERK #2	5	
18@	1322	SCREW ASSEMBLY, ARM RETAINING	4	
19@	1875	WASHER, INT. SHKP. 3/8	4	
20@	0164 B	SCREW, TROWEL ADJUSTMENT	4	
21@	1876	NUT, HEX JAM 3/8-16 CLASS 2B	4	
22@	0166 A	WASHER, LOCK, 3/8 MEDIUM	4	
23@#	11602	SCREW, HHC 3/8-16 X 1/4	4	
24	12072	SPIDER ASSY., R.S. 4BLD 1-1/4 MAIN SHAFT1.....		INCLUDES ITEMS W/@
25@	11987-1	SPIDER PLATE, 1-1/4 SHAFT 4BLD.....	1	INCLUDES ITEMS W/#
26		BLADE ASSEMBLY	4	CONTACT UNIT SALES DEPT./
			ACCESSORY ITEM
27+%	20426	THRUST COLLAR BUSHING	1	
28%	20938	THRUST COLLAR KIT	1	INCLUDES ITEMS W/%

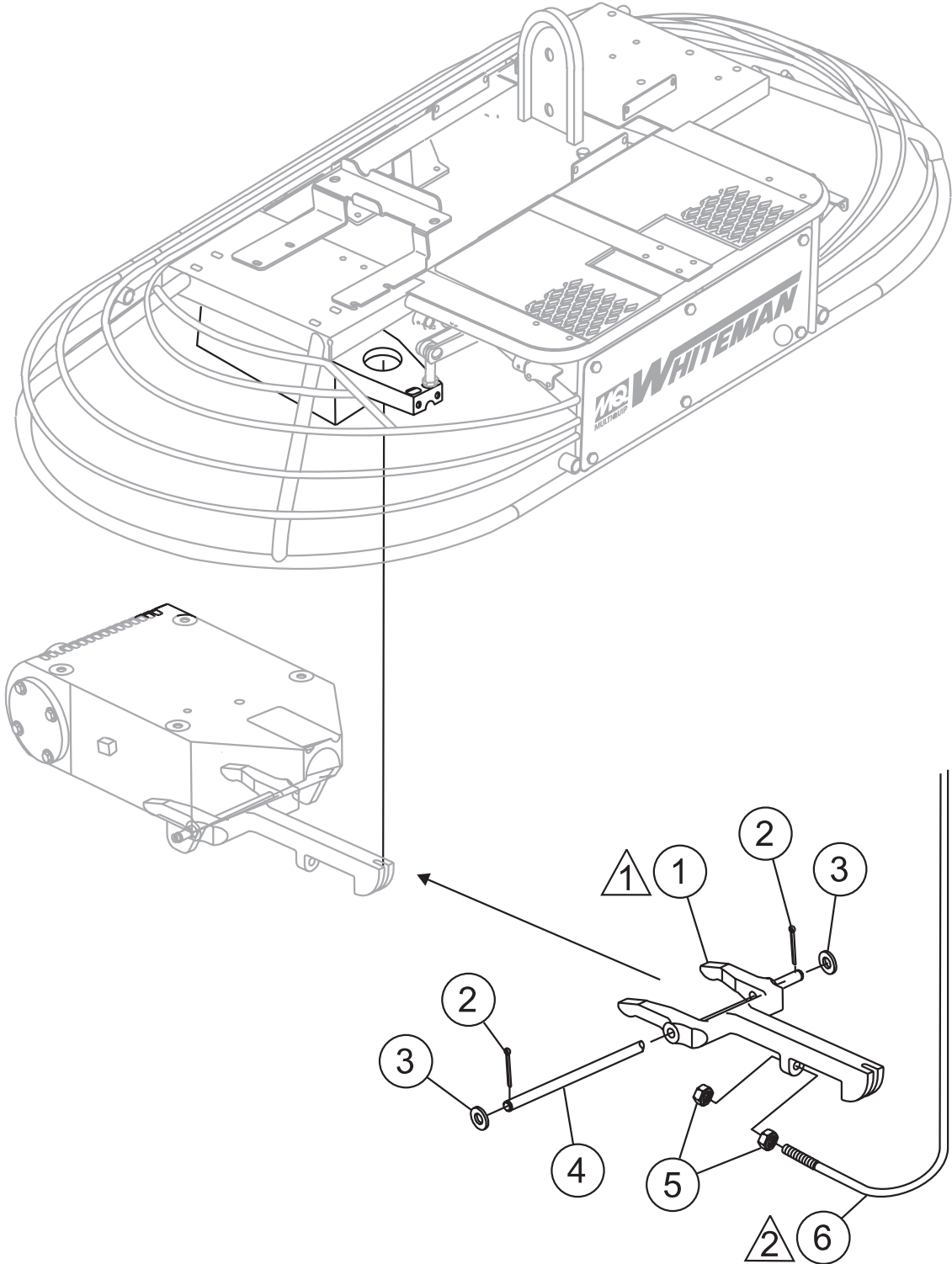
SPIDER ASSY. (L)



SPIDER ASSY. (L)

<u>NO.</u>	<u>PART NO.</u>	<u>PART NAME</u>	<u>QTY.</u>	<u>REMARKS</u>
1%	11419	PLATE, WEAR THRUST COLLAR	1	
2%	11431	THRUST COLLAR W/ BUSHING	1	INCLUDES ITEMS W/+
3%	2621	ZERK, GREASE 1/4 - 28	1	
4%	12779	BEARING, THRUST 6017 2RS W/ FLANGE	1	
5	9193	KEY, 5/16 SQ. X 2 - 5/8 HRDND.....	1	REPLACES P/N 12101
6@	12097	SCREW, SQHS 3/8 - 16 X 1-3/4 CONE 8	2	
7@	1456	NUT, HEX FINISH 3/8 - 16	2	
9@	11039	BUSHING, TROWEL ARM 2-PIECE	8	
10@	11595	SPRING, LEFT TROWEL ARM LEVER	4	
11@	11903-1	LEVER, TROWEL ARM LEFT SIDE	4	
12@	9006	PIN, ROLL 5/16 X 2 NO PLATE	4	
13@	21495-1	ARM, TROWEL BLADE, L.S.	4	
15@	23644	KIT, BOLT SAE BLADE	1	
17@	1162 A	CAP, GREASE ZERK #2	5	
18@	1322	SCREW ASSY, ARM RETAINING	4	
19@	1875	WASHER, INT. SHKP. 3/8	4	
20@	0164 B	SCREW, TROWEL ADJUSTMENT	4	
21@	1876	NUT, HEX JAM 3/8 - 16 CLASS 2B	4	
22@	0166 A	WASHER, LOCK, 3/8 MEDIUM	4	
23@#	11602	SCREW, HHC 3/8 -16 X 1/4	4	
24	21310	SPIDER ASSY., L.S. 4BLD 1-1/4 MAIN SHAFT 1.....	1	INCLUDES ITEMS W/@
25@	11987-1	SPIDER PLATE, 1-1/4 SHAFT 4BLD.....	1	INCLUDES ITEMS W/#
26		BLADE ASSEMBLY	4	CONTACT UNIT SALES DEPT./
			ACCESSORY ITEM
27+%	20426	THRUST COLLAR BUSHING	1	
28%	20938	THRUST COLLAR KIT	1	INCLUDES ITEMS W/%

YOKE ASSY.



NOTES:

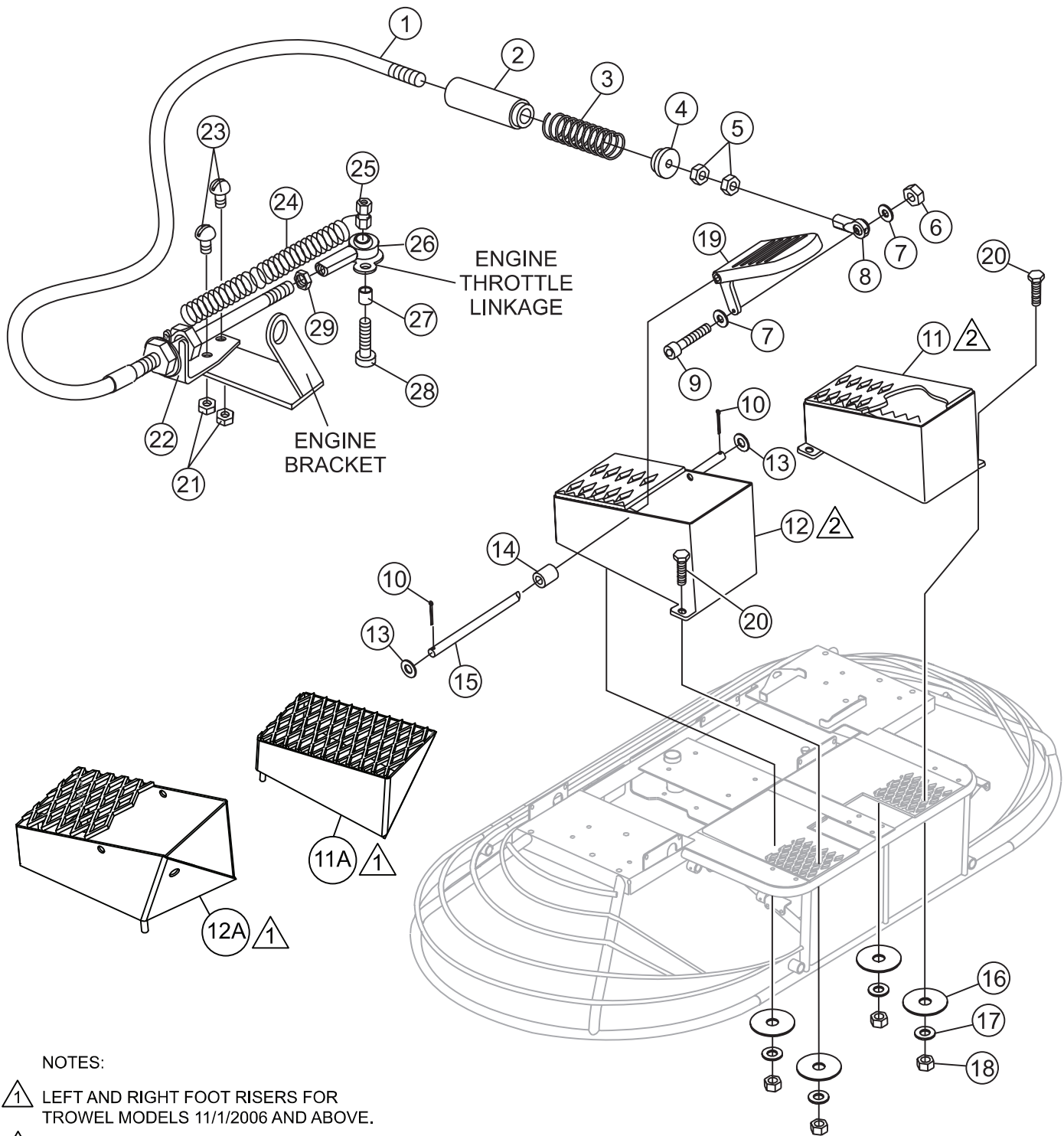
△ 1 LEFT AND RIGHT YOKE ASSEMBLIES IDENTICAL.

△ 2 SEE TWIN PITCH ASSEMBLY.

YOKE ASSY.

<u>NO.</u>	<u>PART NO.</u>	<u>PART NAME</u>	<u>QTY.</u>	<u>REMARKS</u>
1	12100	YOKE	2	
2	0683	PIN, COTTER 3/32 X 3/4	4	
3	10136	WASHER, FLAT 3/8 SAE	6	
4	9028	PIN, YOKE	2	
5	1116	NUT, BRASS JAM 5/16 -18	4	
6	9912	CABLE ASSEMBLY 26.38 HT-V PITCH	2	

THROTTLE CABLE/FOOT PEDALS ASSY.



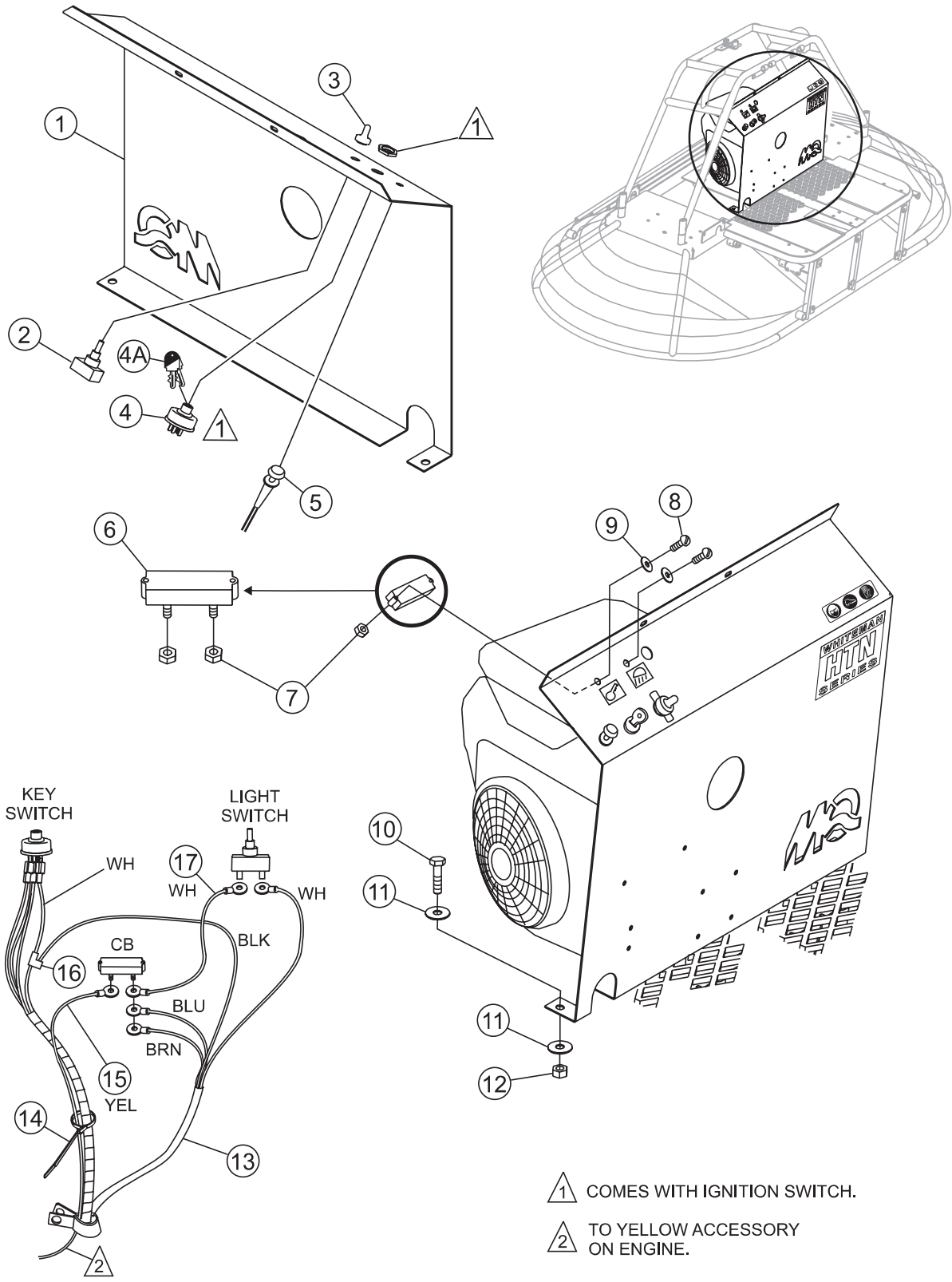
NOTES:

- △1 LEFT AND RIGHT FOOT RISERS FOR TROWEL MODELS 11/1/2006 AND ABOVE.
- △2 LEFT AND RIGHT FOOT RISERS FOR TROWEL MODELS 10/31/2006 AND BELOW.

THROTTLE CABLE/FOOT PEDALS ASSY.

<u>NO.</u>	<u>PART NO.</u>	<u>PART NAME</u>	<u>QTY.</u>	<u>REMARKS</u>
1	2124	CABLE, CONTROL	1	
2	2754	ADAPTER, THROTTLE SPRING, LONG	1	12/31/2006 AND BELOW
2	22042	ADAPTER, THROTTLE SPRING, LONG	1	01/01/2007 AND ABOVE
3	2753	SPRING, THROTTLE RETURN	1	
4	2755	ADAPTER, THROTTLE SPRING, SHORT	1	
5	0937	NUT, HEX 10-32 ZINC PLTD	2	
6	10019	NUT, NYLOC 10-32	1	
7	2203	WASHER, FLAT #10 SAE	2	
8	2153	ROD END, 10-32 FEMALE RH	1	
9	10018	SCREW, SHC 10-32 X 1	1	
10	6014 B	PIN, COTTER 3/32 X 1	2	
11	12635	RISER, LEFT FOOT	1	10/31/2006 AND BELOW
11A	22035	RISER, LEFT FOOT	1	11/1/2006 AND ABOVE
12	12637	RISER, RIGHT FOOT	1	10/31/2006 AND BELOW
12A	22037	RISER, RIGHT FOOT	1	11/1/2006 AND ABOVE
13	10136	WASHER, FLAT 3/8 SAE	2	
14	3083	SPACER, 3/4 X 3/8 X 7/8 LONG	1	
15	2772	PIN, ACCELERATOR PEDAL	1	
16	3233	WASHER, FENDER 1.50D X 3/8" ID	4	
17	0300 B	WASHER, FLAT 5/16" SAE	4	
18	5283	NUT, NYLOC 5/16-18"	4	
19	2086	PEDAL ACCELERATOR	1	
20	0202	SCREW, HHC 5/16-18 X 1" ZINC	4	
21	10019	NUT, NYLOC 10-32"	2	
22	2884	BRACKET, THROTTLE CABLE	1	
23	5065 B	SCREW, RHM 10-32 X 1/2	2	
24	2192	SPRING, EXTENSION RT	1	
25	2194	NUT, THROTTLE	1	
26	2153	ROD END, 10-32 FEMALE RH	1	
27	2190	SCREW, SHC 10-32 1 NP (1)	1	
28	10018	SCREW, SHC 10-32 1 NP (1)	1	
29	0937	NUT, FULL HEX 10-32 ZINC PLTD	1	

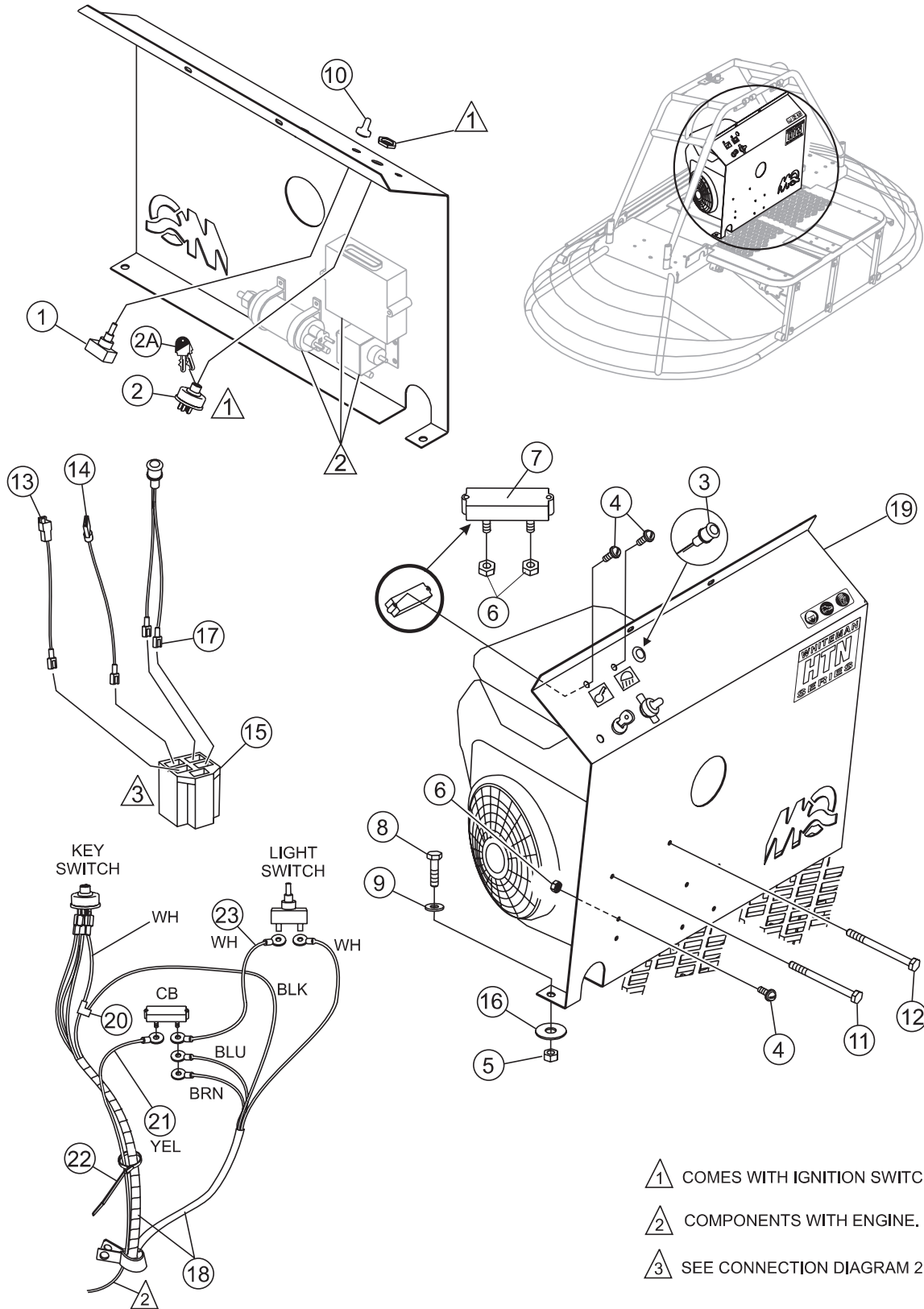
CONTROL PANEL ASSY. (HTN27K)



CONTROL PANEL ASSY. (HTN27K)

<u>NO.</u>	<u>PART NO.</u>	<u>PART NAME</u>	<u>QTY.</u>	<u>REMARKS</u>
1	22125	CONTROL PANEL	1	
2	4682	SWITCH, LIGHT TOGGLE	1	
3	8381	BOOT, TOGGLE SWITCH	1	
4	2509904S	IGNITION SWITCH, W/KEY	1	
4A	4834001S1	KEY, IGNITION (SET)	1	
5	11029	CABLE, CHOKE	1	
6	2673	CIRCUIT BREAKER, 30A, 12V	1	
7	10019	NUT, NYLOC 10 - 32	4	
8	5065 B	SCREW, RHM 10 - 32 X 1/2	4	
9	2203	WASHER, FLAT #10 SAE	4	
10	0205	SCREW, HHC 3/8 - 16 X 1	2	
11	4001	WASHER, FLAT USS 3/8 PLD	4	
12	10133	NUT, NYLOC 3/8 - 16	2	
13	2945	HARNESS, WIRE ENGINE	1	
14	60101	TIE WRAP	3	
15	21523	WIRE, YELLOW 10 AWG	1	
16	1475	CONNECTOR, SPLICE TAP	1	
17	2769	WIRE, LITE SWITCH	1	

CONTROL PANEL ASSY. (S/N ZE0205205 & BELOW)

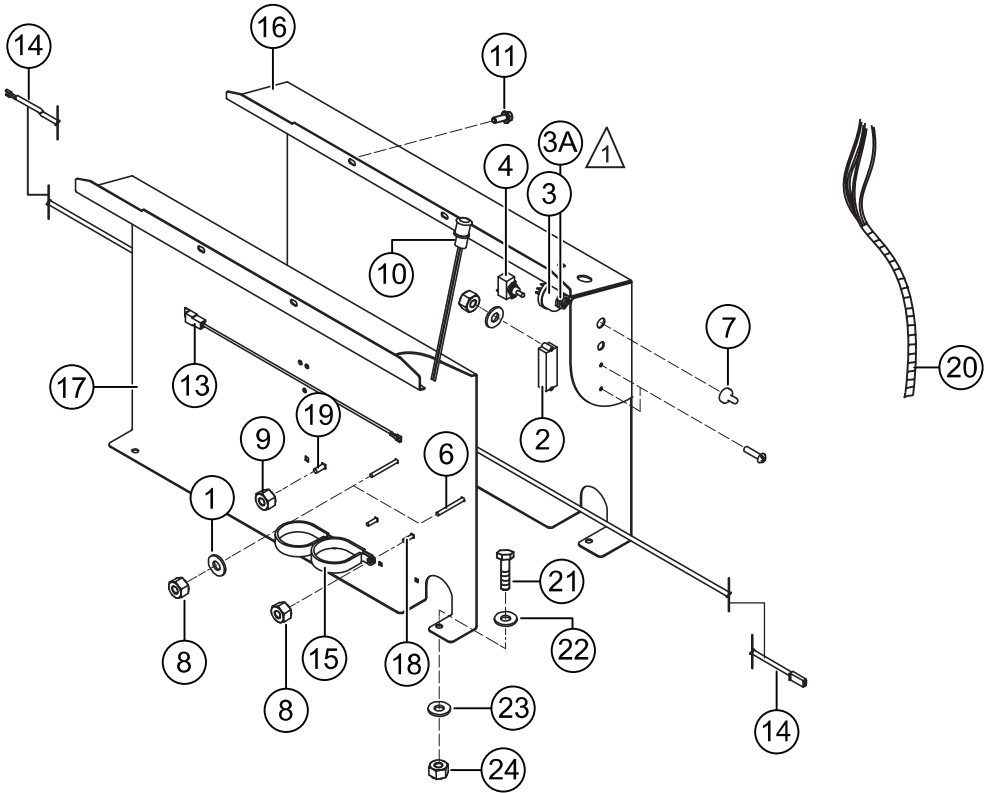
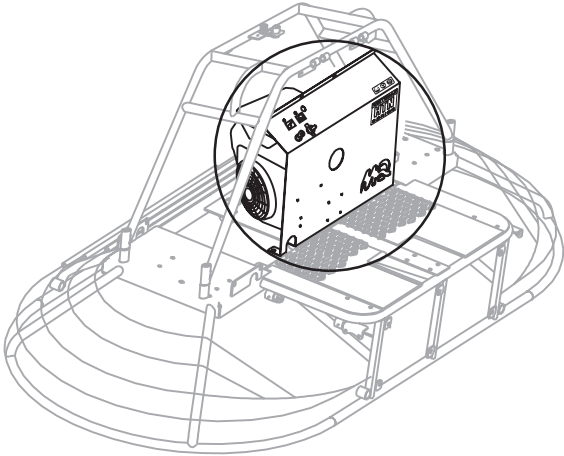


- ① COMES WITH IGNITION SWITCH.
- ② COMPONENTS WITH ENGINE.
- ③ SEE CONNECTION DIAGRAM 21537.

CONTROL PANEL ASSY. (S/N ZE0205205 & BELOW)

<u>NO.</u>	<u>PART NO.</u>	<u>PART NAME</u>	<u>QTY.</u>	<u>REMARKS</u>
1	4682	SWITCH, TOGGLE ELECTRIC #9061	1	
2	2734	SWITCH, ONAN IGNITION	1	
2A	TBD	KEY, IGNITION (SET)	1	
3	11382	LIGHT, RED IND 3/4 DIA PL- 20 RC	1	
4	8133	SCREW, RHM 10 - 32 X 3/4	10	
5	10133	NUT, NYLOC 3/8 - 16	2	
6	10019	NUT, NYLOC 10 - 32	10	
7	2673	CIRCUIT BREAKER, 30A, 12V	1	
8	0205	SCREW, HHC 3/8 - 16 X 1	2	
9	4001	WASHER, FLAT USS 3/8 PLD	4	
10	8381	BOOT, TOGGLE SWITCH	1	
11	06827-032	SCREW, RHM 10 - 32 X 2.00	1	
12	06827-028	SCREW, RHM 10 - 32 X 1 - 3/4	1	
13	21539	WIRE ASSEMBLY, 16 GA. X 16L RED	1	
14	21540	WIRE ASSEMBLY, 16 GA. 16L GRAY	1	
15	2716	CONNECTOR, 5-WIRE	1	
16	3233	WASHER, FENDER 1.5 OD X 3/8 ID	2	
17	2686	TERMINAL, FEMALE 16 - 14 GA	2	
18	20283	HARNESS, WIRE	1	
19	21458	CONTROL PANEL	1	
20	1475	CONNECTOR, SPLICE TAP	1	
21	21523	WIRE, YELLOW 10 AWG	1	
22	60101	TIE WRAP	3	
23	2769	WIRE, LITE SWITCH	1	

CONTROL PANEL ASSY. (S/N ZE0205206 & ABOVE)



△ 1 COMES WITH IGNITION SWITCH.

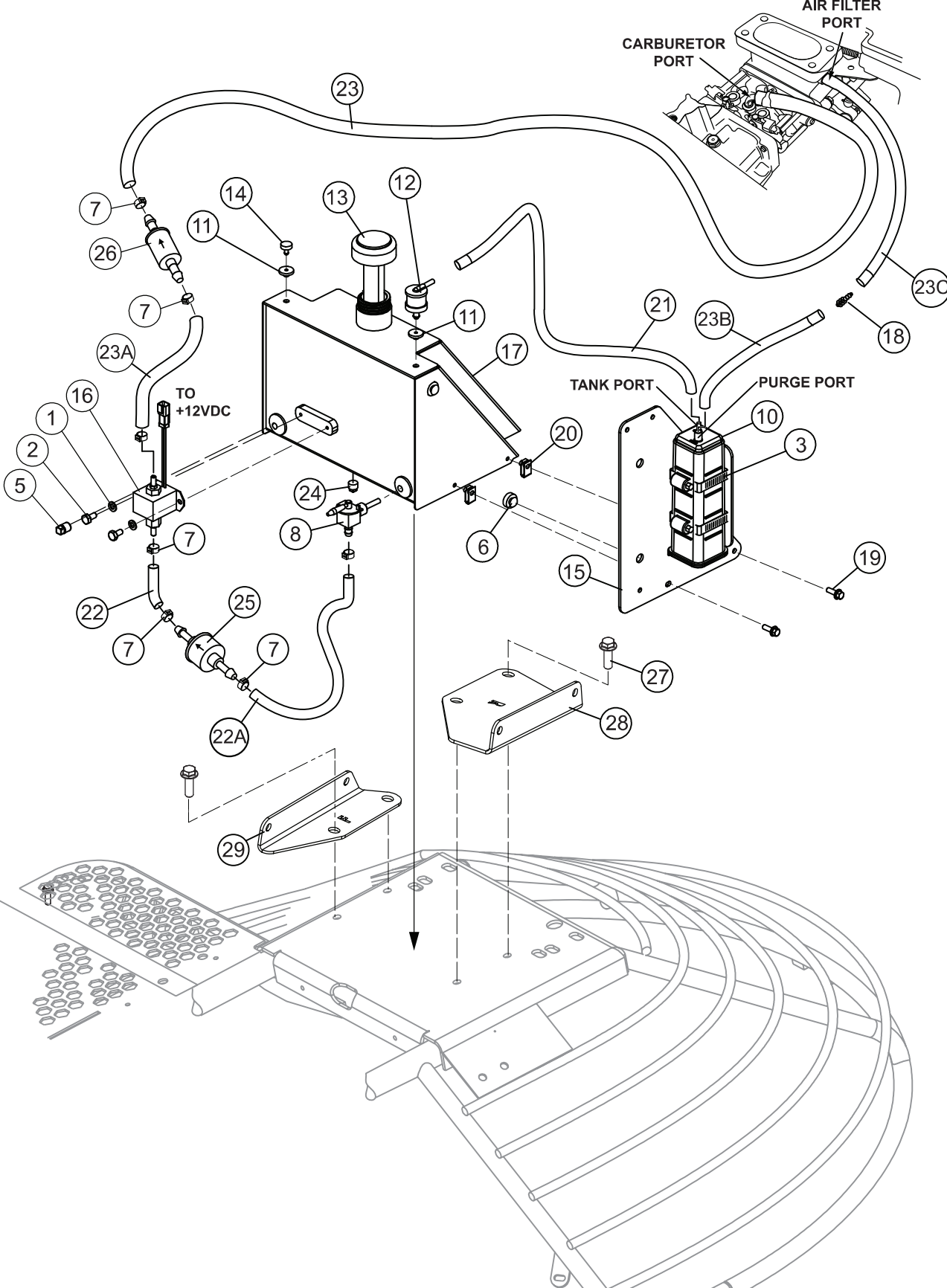
CONTROL PANEL ASSY. (S/N ZE0205206 & ABOVE)

NO.	PART NO.	PART NAME	QTY.	REMARKS
1	2203	WASHER, FLAT, #10	4	
2	2673	CIRCUIT BREAKER, 30A, 12V	1	
3	2734	SWITCH, ONAN IGNITION	1	
3A	TBD	KEY, IGNITION (SET)	1	
4	4682	SWITCH, TOGGLE ELECTRIC SPST 20A 125VAC	1	
6	06827-032	SCREW, RHM 10 - 32 X 2.00	2	
7	8381	BOOT, TOGGLE SWITCH	1	
8	10019	NUT, NYLOC 10 - 32	8	
9	10024	NUT, NYLOC 1/4-20	1	
10	11382	LIGHT, RED IND 3/4 DIA PL- 20 RC	1	
11	11819	SCREW, HHWS 1/4-20 X 3/4"	2	
13	21539	WIRE ASSEMBLY, 16 GA. X 16L RED	1	
14	21540	WIRE ASSEMBLY, 16 GA. 16L GRAY	1	
15	21544	CLAMP, 2-3/16" ID	2	
16	22125	PANEL, FRONT KICK PLATE	1	
17	22126	PANEL, INNER KICK PLATE	1	
18	22131	BOLT, CARRIAGE 10-32 X 3/4" ZN	2	
19	29712	BOLT, CARRIAGE 1/4-20 X 3/4"	1	
20	20283	HARNESS, WIRE	1	
21	0205	SCREW, HHC 3/8 - 16 X 1	2	
22	4001	WASHER, FLAT USS 3/8 PLD	4	
23	3233	WASHER, FENDER 1.5 OD X 3/8 ID	2	
24	10133	NUT, NYLOC 3/8 - 16	2	

FUEL ASSY. (HTN27K)

<u>NO.</u>	<u>PART NO.</u>	<u>PART NAME</u>	<u>QTY.</u>	<u>REMARKS</u>
1	0181 B	WASHER, LOCK 1/4" MED	2	
2	1579	SCREW, HHC 1/4-20 x 1/2"	2	
3	12277	CLAMP, HOSE WORM, #36, 1-13/16" - 2-3/4"	2	
5	16185	FITTING, PLUG 1/4MP SQ HD	1	
6	21597	BUMPER, STEM 1.0"D x .5S x .31	2	
7	22068	CLAMP, STEPLESS EAR 1/4" HOSE	7	
8	22081	SHUTOFF VALVE, 1/4 NPT, 1/4" HOSE	1	
10	23505	CANISTER, CARBON, 390CC	1	
11	23507	GROMMET, ROLL OVER VALVE	2	
12	23508	VALVE, ROLL OVER, STD CP	1	
13	23514	CAP, RATCHET W/GAUGE "GASOLINE" (10-1/2")	1	
14	23557	PLUG, FUEL TANK VENT	1	
15	23593	BRACKET, CHARCOAL CANISTER	1	
16	23873	FUEL PUMP ASSY.	1	
17	23556	FUEL TANK, ASSY.	1	
18	23966	FITTING, STR, BARB 5/16 TO 3/16 REDUCER	1	
19	49048	SCREW, HHFS 1/4-20 x 3/4" GR5	4	
20	11534	NUT, "U" TYPE, 1/4-20	4	
21	60004	HOSE, FUEL .187" DIA, 12" LENGTH	1	1PC=1FT.
22	60013	HOSE, FUEL .250" DIA., 5 1/4" LENGTH.....	1	1PC=1FT.
22A	60013	HOSE, FUEL .250" DIA., 7" LENGTH.....	1	1PC=1FT.
23	60028	HOSE, FUEL .312" DIA., 17 1/2" LENGTH.....	2	1PC=1FT.
23A	60028	HOSE, FUEL .312" DIA., 3 1/2" LENGTH.....	1	1PC=1FT.
23B	60028	HOSE, FUEL .312" DIA., 34 1/2" LENGTH.....	3	1PC=1FT.
24	911329	FITTING, PLUG 3/8 MP MAGNET	1	
25	691035	FILTER, FUEL, 40 MICRON	1	
26	845125	FILTER, FUEL, 20 MICRON	1	
27	22106	SCREW, HHFS, 3/8-16 x 1-1/4"	2	
28	22103	BRACKET, TANK FUEL, REAR	1	
29	22102	BRACKET, TANK FUEL, FRONT	1	

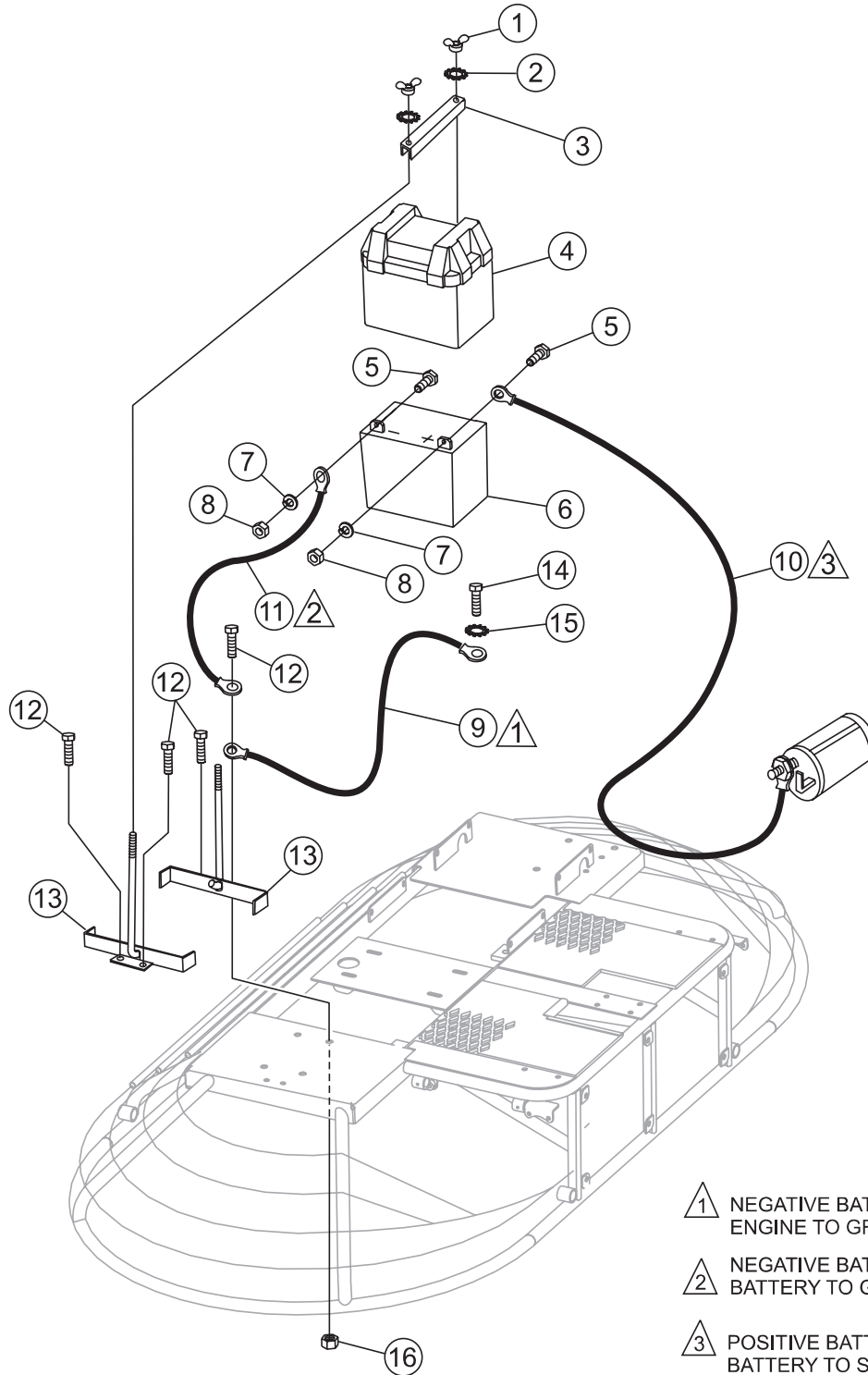
FUEL ASSY. (HTN28K)



FUEL ASSY. (HTN28K)

<u>NO.</u>	<u>PART NO.</u>	<u>PART NAME</u>	<u>QTY.</u>	<u>REMARKS</u>
1	0181 B	WASHER, LOCK 1/4" MED	2	
2	1579	SCREW, HHC 1/4-20 x 1/2"	2	
3	12277	CLAMP, HOSE WORM, #36, 1-13/16" – 2-3/4"	2	
5	16185	FITTING, PLUG 1/4MP SQ HD	1	
5	17206	FITTING, PLUG 1/4MP SQ HD	1.....	REPLACES P/N 16185
6	21597	BUMPER,STEM 1.0"D x .5S x .31	2	
7	22068	CLAMP, STEPLESS EAR 1/4" HOSE	7	
8	22081	SHUTOFF VALVE, 1/4 NPT, 1/4" HOSE	1	
10	23505	CANISTER, CARBON, 390CC	1	
11	23507	GROMMET, ROLL OVER VALVE	2	
12	23508	VALVE, ROLL OVER, STD CP	1	
13	23514	CAP, RATCHET W/GAUGE "GASOLINE" (10-1/2")	1	
14	23557	PLUG, FUEL TANK VENT	1	
15	23593	BRACKET, CHARCOAL CANISTER	1	
16	23873	FUEL PUMP ASSY.	1	
17	23556	FUEL TANK, ASSY.	1	
18	23966	FITTING, STR, BARB 5/16 TO 3/16 REDUCER	1	
19	49048	SCREW, HHFS 1/4-20 x 3/4" GR5	4	
20	11534	NUT, "U" TYPE, 1/4-20	4	
21	60004	HOSE, FUEL .187" DIA, 12" LENGTH	1.....	1PC=1FT.
22	60013	HOSE, FUEL .250" DIA., 5 1/4" LENGTH.....	1.....	1PC=1FT.
22A	60013	HOSE, FUEL .250" DIA., 7" LENGTH.....	1.....	1PC=1FT.
23	60028	HOSE, FUEL .312" DIA., 17 1/2" LENGTH.....	2.....	1PC=1FT.
23A	60028	HOSE, FUEL .312" DIA., 3 1/2" LENGTH.....	1.....	1PC=1FT.
23B	60028	HOSE, FUEL .312" DIA., 34 1/2" LENGTH.....	3.....	1PC=1FT.
24	911329	FITTING, PLUG 3/8 MP MAGNET	1	
25	691035	FILTER, FUEL, 40 MICRON	1	
26	845125	FILTER, FUEL, 20 MICRON	1	
27	22106	SCREW, HHFS, 3/8-16 x 1-1/4"	4	
28	22103	BRACKET, TANK FUEL, REAR	1	
29	22102	BRACKET, TANK FUEL, FRONT	1	

BATTERY ASSY. (SN# ZE0205199 & BELOW)



△ 1 NEGATIVE BATTERY CABLE.
ENGINE TO GROUND.

△ 2 NEGATIVE BATTERY CABLE.
BATTERY TO GROUND.

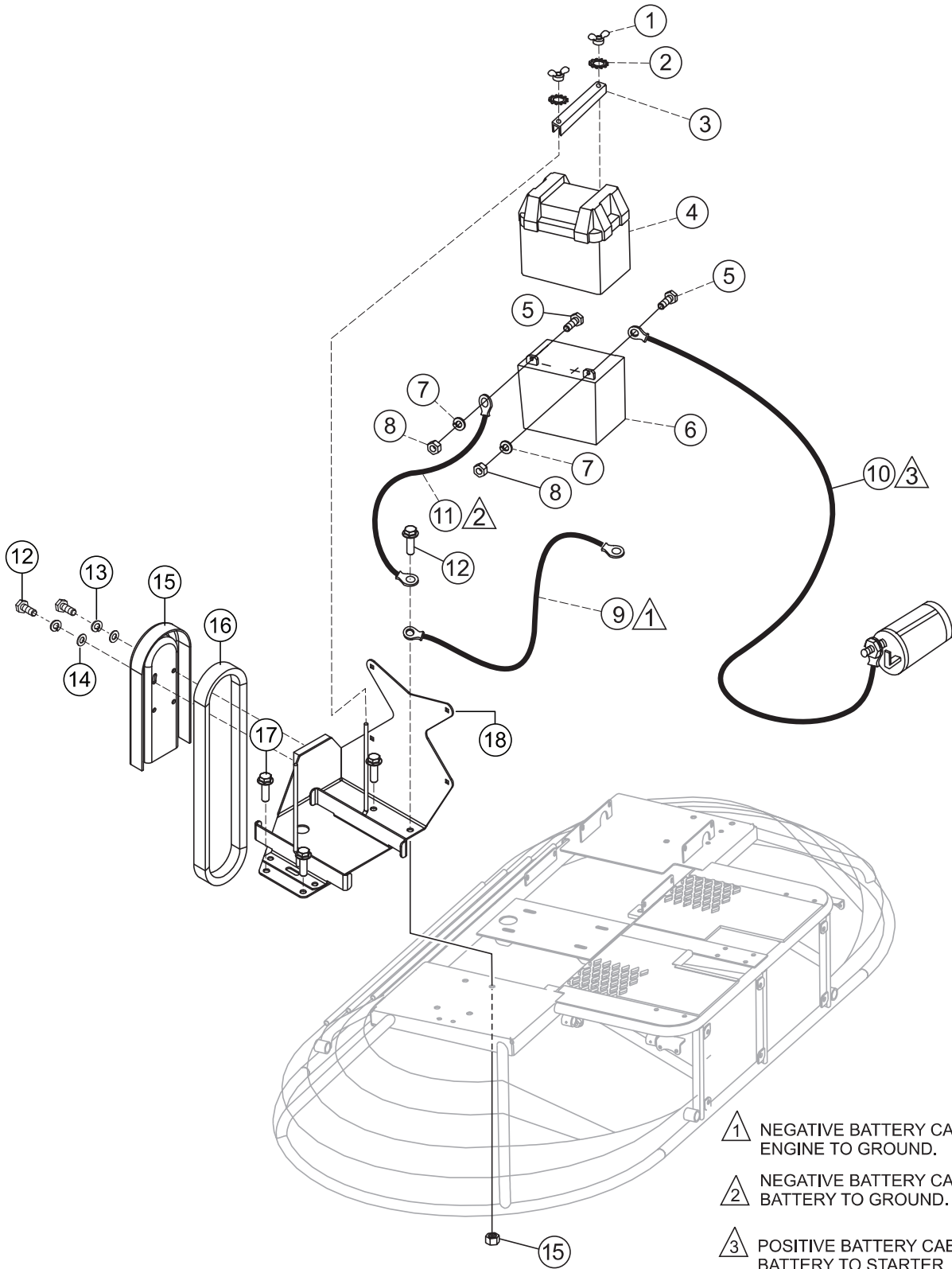
△ 3 POSITIVE BATTERY CABLE.
BATTERY TO STARTER.

△ 1 COMES WITH IGNITION SWITCH.

BATTERY ASSY. (SN# ZE0205199 & BELOW)

<u>NO.</u>	<u>PART NO.</u>	<u>PART NAME</u>	<u>QTY.</u>	<u>REMARKS</u>
1	2509	WING NUT, PLATED	2	
2	10031	WASHER, EXT SHKP 1/4	2	
3	11105	BRACKET BATTERY HOLD DOWN	1	
4	2449	BOX, BATTERY GR UI	1	
5	0131 A	SCREW, HHC 1/4 - 20 X 3/4	2	
6		BATTERY,	1.....	PURCHASE LOCALLY,INTERSTATE #SP40
7	0181 B	WASHER, LOCK, 1/4 MEDIUM	2	
8	0949	NUT, HEX FINISH 1/4 - 20	2	
9	12022	CABLE, BATTERY NEG 4GA 20 - 1/2"	1	
10	12675	CABLE, BATTERY POS 4GA 36"	1	
11	1597	CABLE, BATTERY NEG 4GA 16 - 1/2"	1	
12	0655	SCREW, HHC 5/16 - 18 X 1- 3/4	4	
13	20146	BRACKET BATTERY BOX	2	
14	2866	SCREW, HHC M8 X 1.25 X 20MM	1	
15	13339	WASHER, EXT SHKP 5/16	1	
16	5283	NUT, NYLOC 5/16 - 18	4	

BATTERY ASSY. (SN# ZE0205200 & ABOVE)



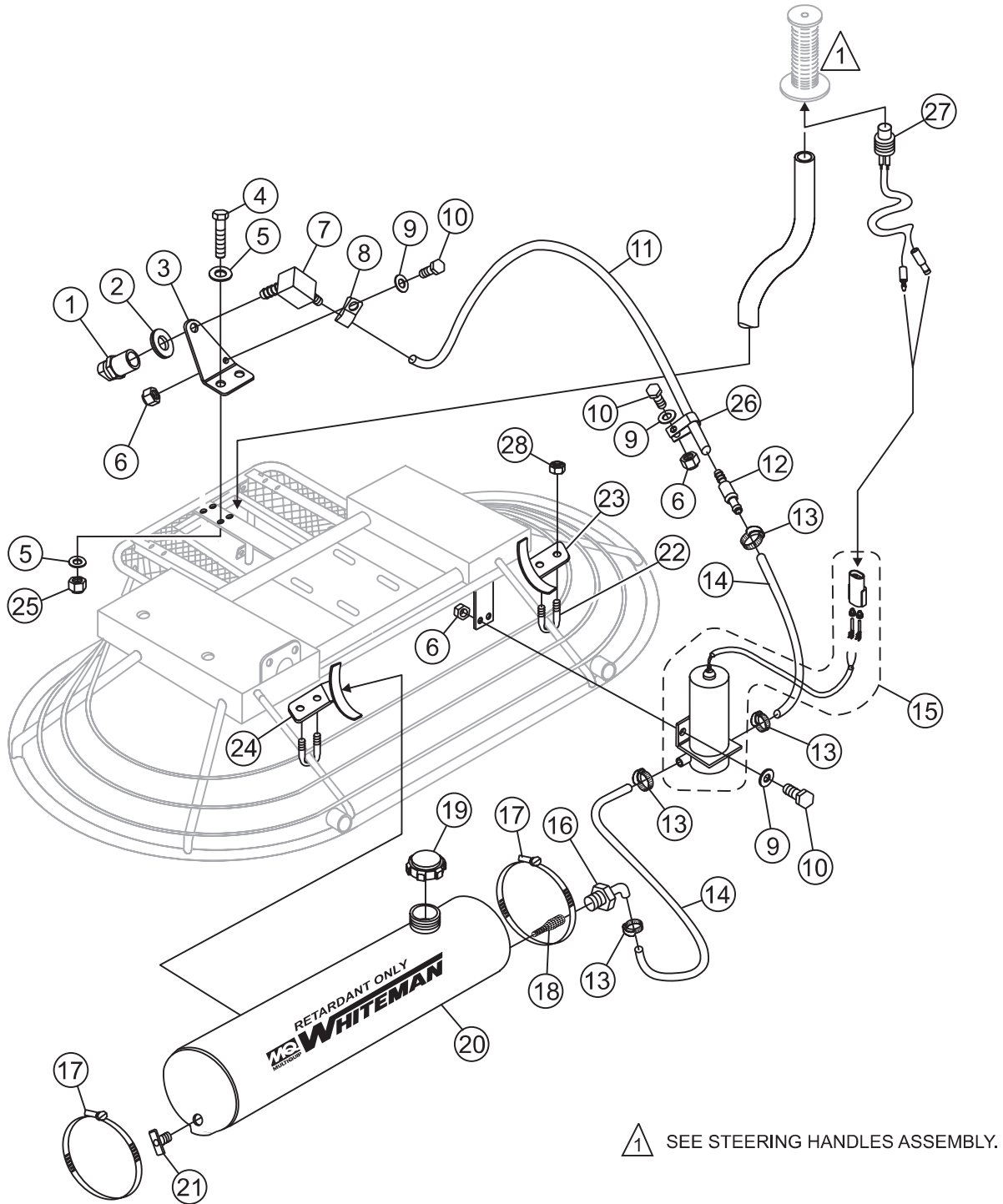
- ① NEGATIVE BATTERY CABLE. ENGINE TO GROUND.
- ② NEGATIVE BATTERY CABLE. BATTERY TO GROUND.
- ③ POSITIVE BATTERY CABLE. BATTERY TO STARTER.

△ COMES WITH IGNITION SWITCH.

BATTERY ASSY. (SN# ZE0205200 & ABOVE)

<u>NO.</u>	<u>PART NO.</u>	<u>PART NAME</u>	<u>QTY.</u>	<u>REMARKS</u>
1	2509	WING NUT, PLATED	2	
2	10031	WASHER, EXT SHKP 1/4"	2	
3	11105	BRACKET BATTERY HOLD DOWN	1	
4	2449	BOX, BATTERY GR UI	1	
5	0131 A	SCREW, HHC 1/4 - 20 X 3/4"	4	
6		BATTERY,	1.....	PURCHASE LOCALLY,INTERSTATE #SP40
7	0181 B	WASHER, LOCK, 1/4 MEDIUM	4	
8	0949	NUT, HEX FINISH 1/4-20	2	
9	12022	CABLE, BATTERY NEG 4GA 20-1/2"	1	
10	12675	CABLE, BATTERY POS 4GA 36"	1	
11	1597	CABLE, BATTERY NEG 4GA 16-1/2"	1	
12	0131 A	SCREW, HHC 1/4-20 x 3/4"	2	
13	0181 B	WASHER, LOCK, 1/4" MEDIUM	2	
14	0948	WASHER, FLAT SAE 1/4"	2	
15	2429	BELT HOLDER, CVT SPARE BELT	1	
16	23513	BELT, LIGHT DUTY RIDER CVT	1	
17	22106	SCREW, HHFS 3/8-16 X 1-1/4"	8	
18	22105	BRACKET, BELT, BATTERY BOX, DOC. ASSY.	1	

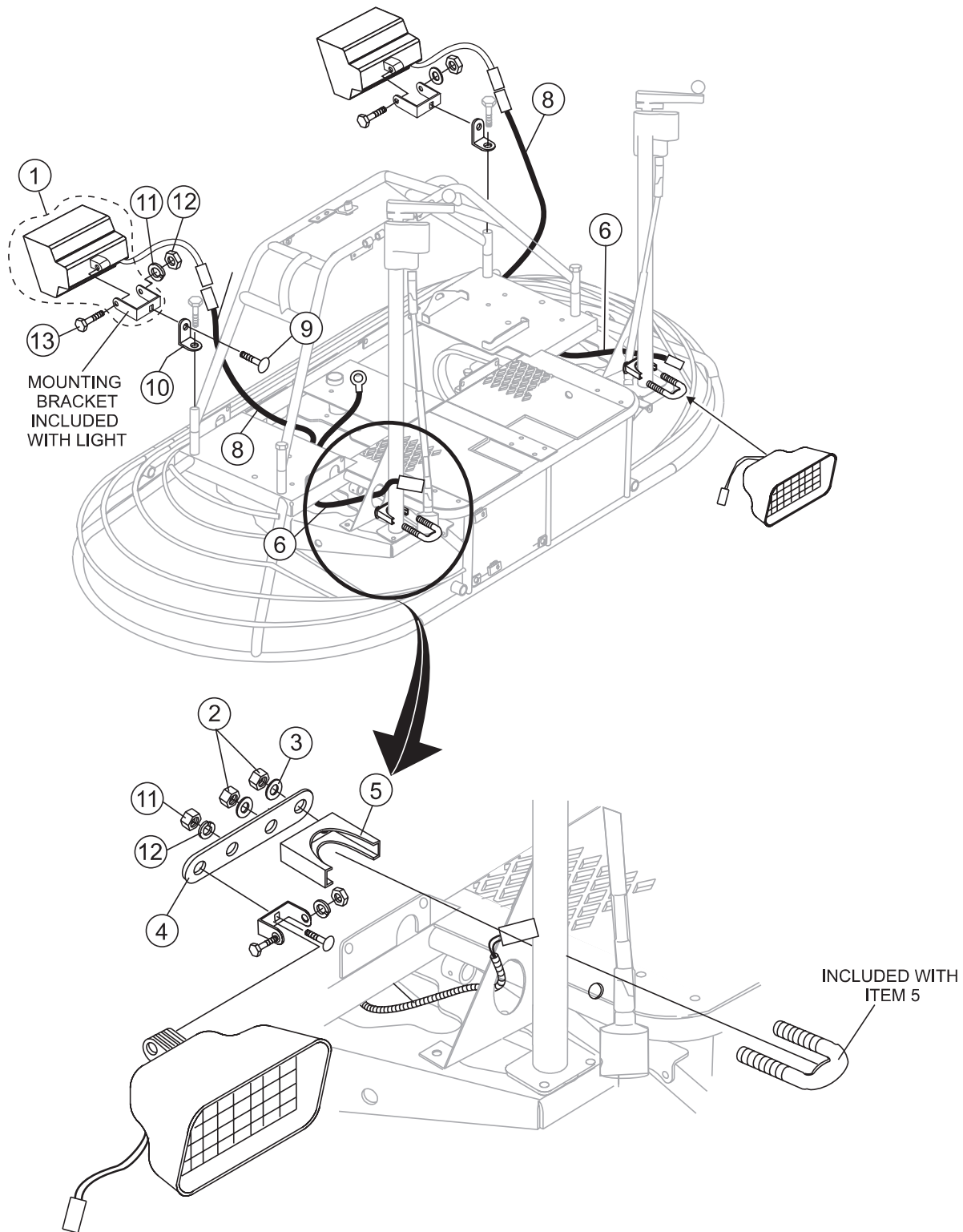
SPRAY ASSY.



SPRAY ASSY.

<u>NO.</u>	<u>PART NO.</u>	<u>PART NAME</u>	<u>QTY.</u>	<u>REMARKS</u>
1	392292	NOZZLE, SPRAY	1	
2	2898	WASHER, BONDED NEOPRENE 1 X 1/2	1	
3	11222	MOUNT, SPRAY NOZZLE	1	
4	1023	SCREW, HHC 3/8 -16 X 1 1/4	2	
5	10136	WASHER, FLAT 3/8 SAE	4	
6	10024	NUT, NYLOC 1/4 - 20	4	
7	2912	FITTING, 90 4BARB-1/4FP	1	
8	8128	CLAMP, HOSE SUPPORT 5/16	1	
9	0948	WASHER, FLAT 1/4 SAE	4	
10	0131 A	SCREW, HHC 1/4 - 20 X 3/4	4	
11	60001	HOSE, 1/4 ID	AR	1PC=1FT
12	10022	FITTING, PLASTIC 6BARB - 4BARB	1	
13	2918	CLAMP, HOSE .475 - .536 ID	4	
14	60002	HOSE, 3/8 ID	AR	1PC=1FT
15	12548	PUMP, SPRAY ASSY SHURFLO 100-000-21	1	
16	2925	FITTING, PLASTIC 90 6BARB - 3/8 MP	1	
17	2398	CLAMP, 6 - 1/2 HOSE SIZE 96	2	
18	2926	SCREEN, STRAINER	1	
19	2108	CAP, SPRAY TANK	1	
20	2916	TANK, WATER NPT BOSSES	1	
21	2478	DRAIN COCK	1	
22	2399	U-BOLT, 1 ID PLTD W/NUTS	2	
23	2887	MOUNT, TANK LEFT	1	
24	2886	MOUNT, TANK RIGHT	1	
25	10133	NUT, NYLOC 3/8 -16	4	
26	8125	CLAMP, HOSE SUPPORT 5/8	1	
27	11430	SWITCH ASSY, SPRAY	1	
28	2656	NUT, NYLOC 5/16 - 24	4	

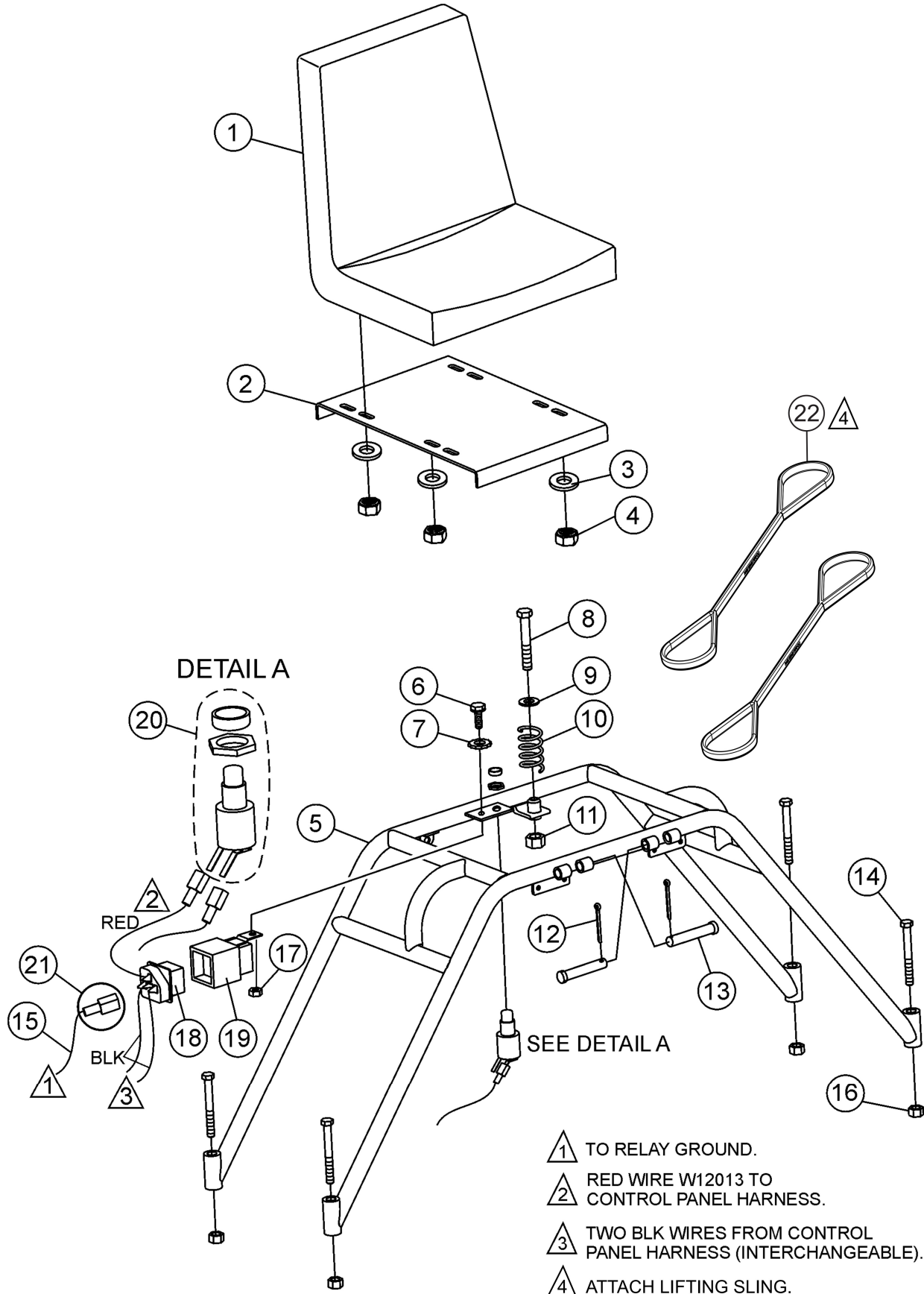
LIGHT ASSY.



LIGHT ASSY.

<u>NO.</u>	<u>PART NO.</u>	<u>PART NAME</u>	<u>QTY.</u>	<u>REMARKS</u>
1	2896	LIGHT ASSEMBLY "92"	4	
2	5283	NUT, NYLOC 5/16 - 18	4	
3	0300 B	WASHER, FLAT 5/16 SAE	4	
4	2531	FRONT MOUNTING BRACKET	2	
5	2534	CLAMP, FRONT LIGHTS 1 - 3/4	2	
6	2959	LOOM, LITE WIRE	2	
8	11124	WIRE HARNESS, REAR LITE	1	
9	0655	HHCS, 5/16"-18X3/4	2	
10	10320	BRACKET LIGHT, REAR	2	
11	0161 D	NUT, HEX FINISH 5/16"-18	2	
12	0181 B	WASHER, LOCK1/4"	4	
13	0300 A	SCREW, HHC 5/16"-18X2	2	

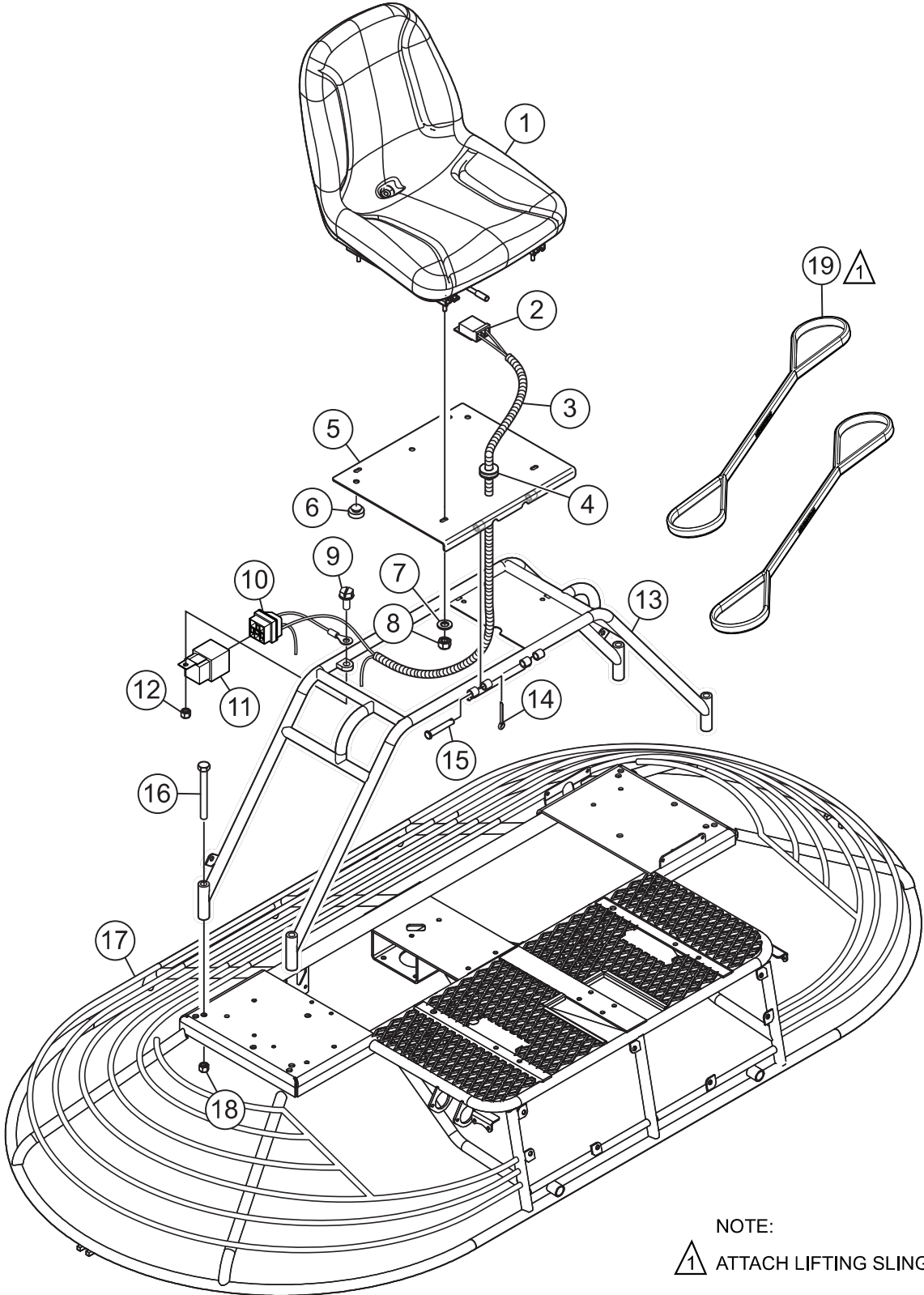
SEAT FRAME ASSY. (OLD STYLE)



SEAT FRAME ASSY. (OLD STYLE)

<u>NO.</u>	<u>PART NO.</u>	<u>PART NAME</u>	<u>QTY.</u>	<u>REMARKS</u>
1	21861	SEAT, MICHIGAN-ADJUSTABLE W/O ARMS	1	
2	11472	SEAT PLATE	1	
3	0300 B	WASHER, FLAT, SAE 5/16	4	
4	5283	NUT, NYLOC 5/16 - 18	4	
5	10896	FRAME, SEAT	1	
6	11644	SCREW, HHC, WASHER 10 - 32 X 5/8	1	
7	10237	WASHER, EXT. SHKP, #10	1	
8	8156	SCREW, HHC 3/8 - 16 X 2 - 1/2	1	
9	4001	WASHER, FLAT 3/8 PLTD STD. USS	1	
10	11593	SPRING, SEAT	1	
11	10133	NUT, NYLOC 3/8 - 16	1	
12	0183	PIN, COTTER 1/8 1 - 1/4	2	
13	8081	PIN, CLEVIS 1/2 X 2.75 EFF.	2	
14	10307	SCREW, HHC 1/2 - 13 X 5	4	
15	12014	WIRE, RELAY GROUND	1	
16	10176	NUT, NYLOC 1/2 - 13	4	
17	10019	NUT, NYLOC 10 - 32	1	
18	12018	CONNECTOR, RELAY	1	
19	12017	RELAY, KILL	1	
20	12005	SWITCH, KILL COLE- HER #90036- 02	1	
21	12020	TERMINAL, WIRE	4	
22	23165	SLING, LIFTING	2	

SEAT FRAME ASSY. (NEW STYLE)

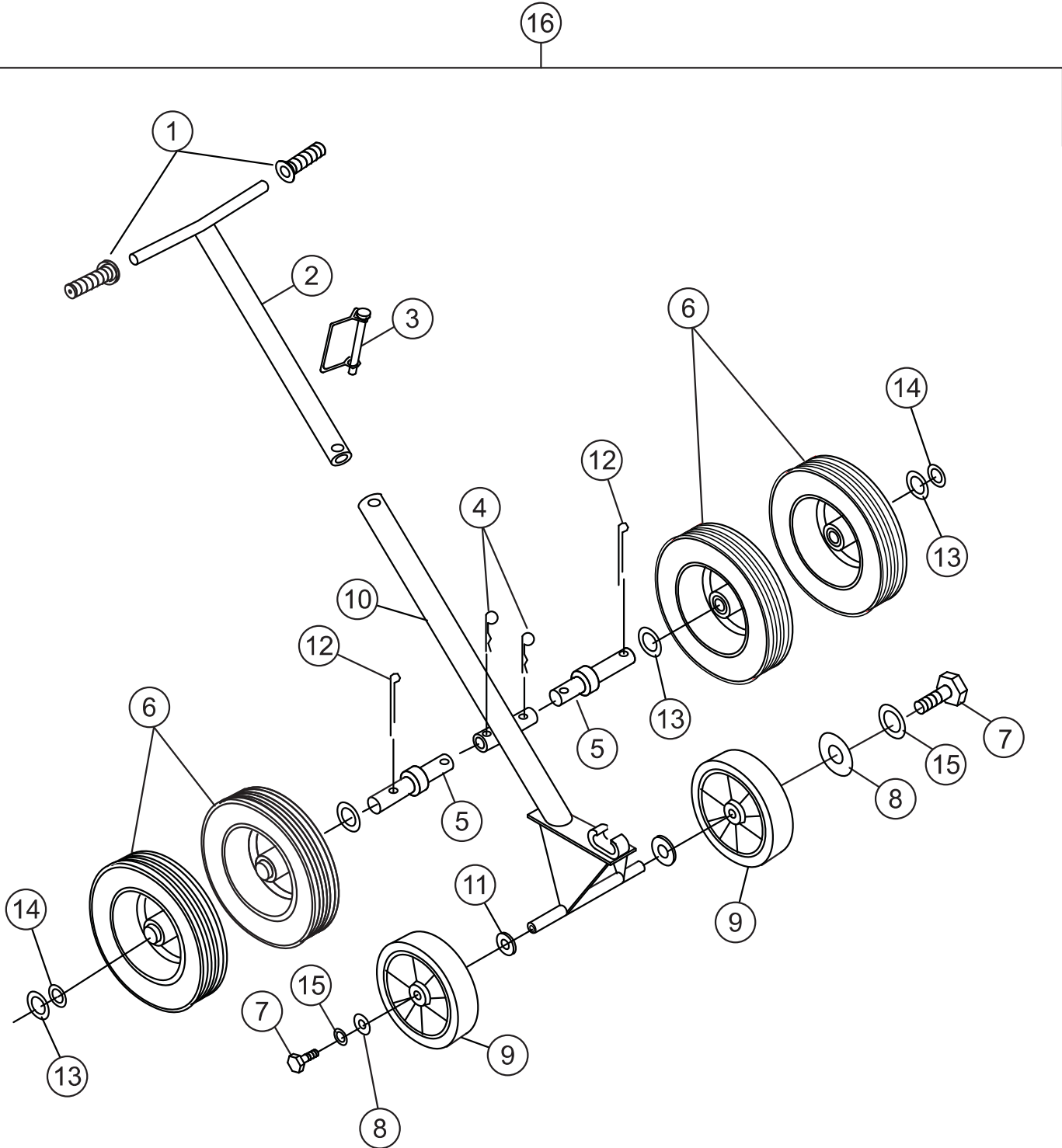


NOTE:
△ 1 ATTACH LIFTING SLING.

SEAT FRAME ASSY. (NEW STYLE)

<u>NO.</u>	<u>PART NO.</u>	<u>PART NAME</u>	<u>QTY.</u>	<u>REMARKS</u>
1	21861	SEAT, MICHIGAN, ADJUSTABLE W/O ARMS	1	
2	21936	CONNECTOR,BODY-2 PIN,MICH SEAT	1	
3	21938	WIRE ASSY, KILL SWITCH	1	
4	19468	GROMMET, MINOR PN Z-4004	1	
5	11472	SEAT PLATE W/A, HTN/BTO	1	
6	21597	BUMPER,STEM 1.0"D x .5S x .31	3	
7	0300 B	WASHER, FLAT SAE 5/16	4	
8	5283	NUT, NYLOC 5/16-18	4	
9	11644	SCREW, HHC 10-32 x 5/8, W/WSHR PLATED	1	
10	22137	RELAY SWITCH ADAPTER	1	
11	12017	RELAY, KILL	1	
12	10019	NUT, NYLOC 10-32	1	
13	22129	FRAME W/A, SEAT HTN KOHLER	1	
14	0183	PIN, COTTER 1/8Dx1-1/4	2	
15	8081	PIN, CLEVIS 1/2 X 2 3/4	2	
16	913222	SCREW, HHC 1/2-13 x 4-3/4	4	
17	21318	FRAME, MAIN	1	
18	10176	NUT, NYLOC 1/2-13	4	
19	23165	SLING, LIFTING	2	

EZ-MOVER ASSY.



EZ-MOVER ASSY.

<u>NO.</u>	<u>PART NO.</u>	<u>PART NAME</u>	<u>QTY.</u>	<u>REMARKS</u>
1\$	22762	HAND GRIP	2	
2\$	2336	UPPER HANDLE	1	
3\$	QS1869	SNAP PIN	1	
4\$	7170	CLIP	4	
5\$	11684	DOLLY AXLE	2	
6\$	10440	WHEEL AND TIRE	4	
7\$	0655	SCREW, HHCS 5/16"-18 X 3/4"	2	
8\$	0300 B	FLAT WASHER 5/16"	2	
9\$	2364	WHEEL	2	
10\$	10445	FRAME	1	
11\$	4684	FLAT WASHER 5/8"	2	
12\$	0183	COTTER PIN	4	
13\$	10446	FLAT WASHER 3/4"	8	
14\$	8151	FLAT WASHER 3/4" SAE	8	
15\$	0161 C	LOCK WASHER 5/16"	2	
16	EMR2	E-Z MOVER ASSY.....	1.....	INCLUDES ITEMS W/\$ (CONTACT UNIT SALES DEPARTMENT)