

**PARTS MANUAL**



***Mikasa* SERIES**  
**MODEL MVH406DSZ/  
MVH406DSCPAS**  
**REVERSIBLE PLATE COMPACTOR**  
**(ROBIN D1B40T92040 DIESEL ENGINE)**

Revision #8 (07/01/20)

**THIS MANUAL MUST ACCOMPANY THE EQUIPMENT AT ALL TIMES.**

## SUGGESTED SPARE PARTS

---

### MVH406DSZ/DSCPAS W/ROBIN D1B40T92040 DIESEL ENGINE

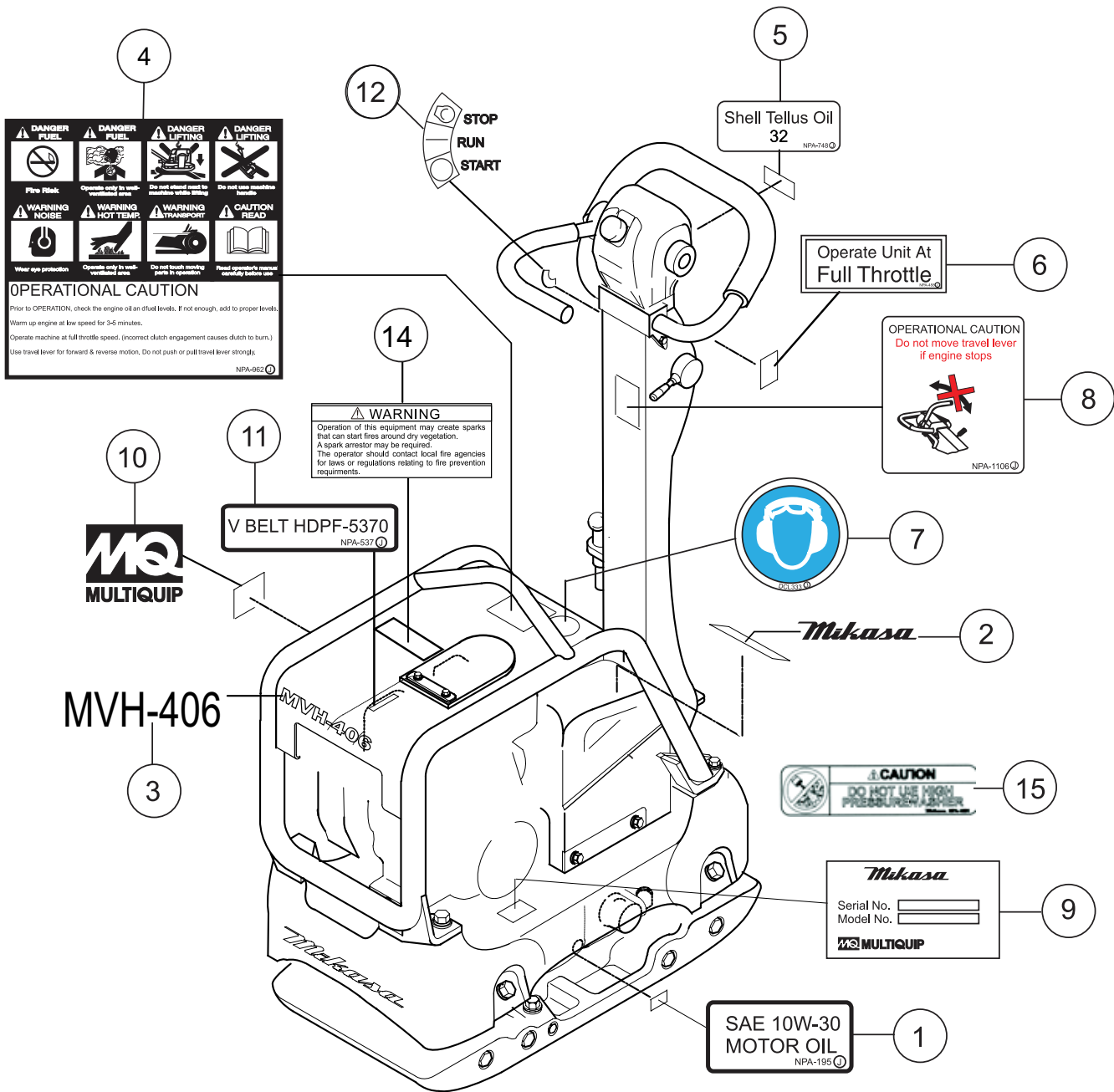
#### 1 to 3 Units

Qty.	P/N	Description
1.....	956100060.....	THROTTLE WIRE
2.....	070200373.....	V-BELT
3.....	DH50484100 .....	AIR FILTER ELEMENT
1.....	DH05088901 .....	STARTER ROPE
2.....	DH01635210 .....	FUEL FILTER
1.....	DH01535302 .....	CAP, FUEL TANK
1.....	DH01542703 .....	OIL SUCTION FILTER
1.....	DH50384401 .....	IGNITION SWITCH W/ KEY
3.....	DH50404900 .....	KEY, IGNITION SWITCH
3.....	939010260.....	SHOCK ABSORBER

#### **NOTICE**

Part numbers on this Suggested Spare Parts list may supersede/replace the part numbers shown in the following parts lists.

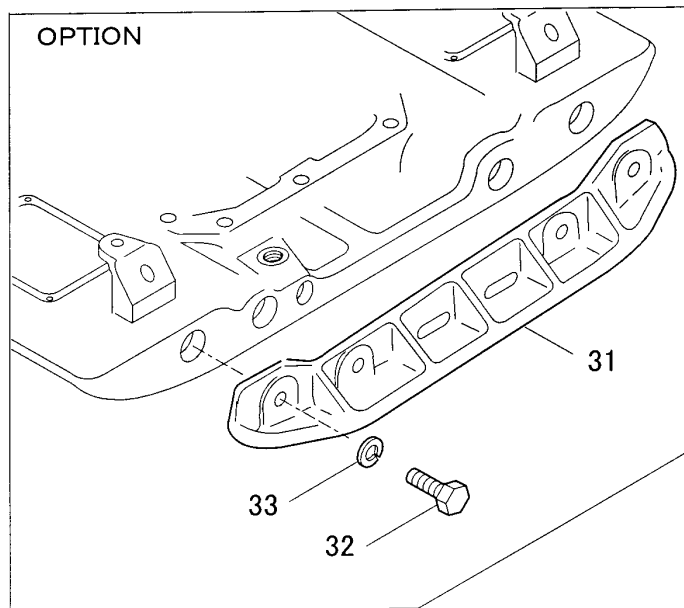
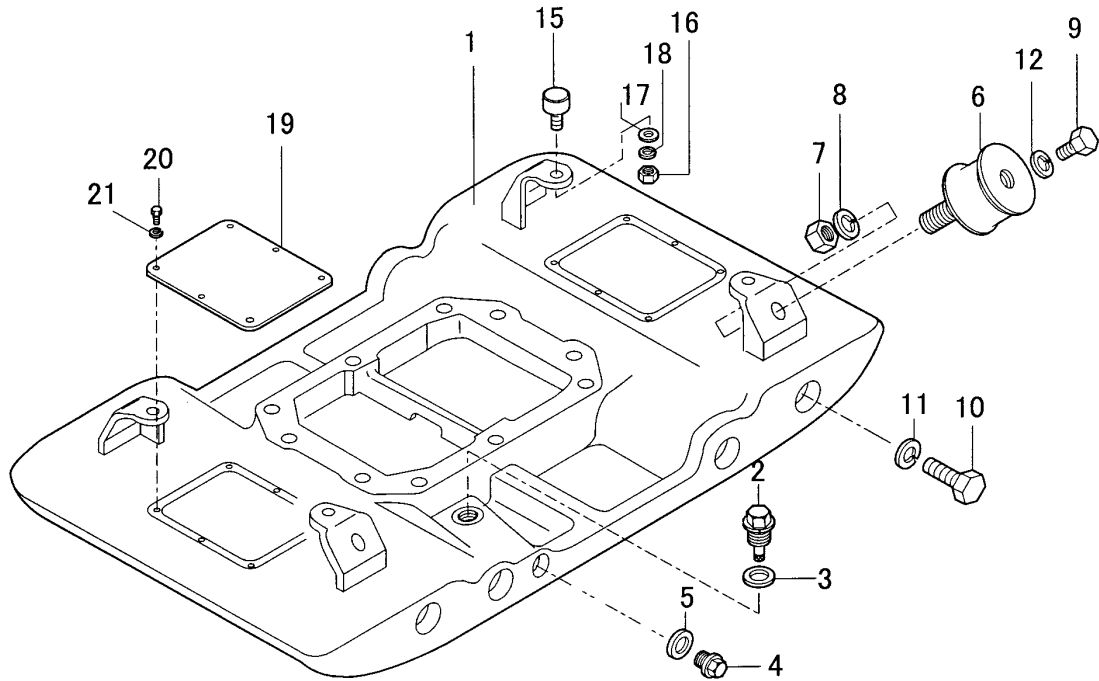
# NAMEPLATE AND DECALS



## NAMEPLATE AND DECALS

<u>NO.</u>	<u>PART NO.</u>	<u>PART NAME</u>	<u>QTY.</u>	<u>REMARKS</u>
1	920201950	DECAL: OIL SAE 10W-30	1	
2	920105070	DECAL: MIKASA LOGO .....	1	ELECT. START MODEL ONLY
3	920211640	DECAL: MODEL LOGO MVH-406	1	
4	920209620	DECAL: CAUTION	1	
5	920211090	DECAL: SHELL TELLUS OIL 32	1	
6	920204580	DECAL: FULL THROTTLE	1	
7	920203330	DECAL: EAR PROTECTION	1	
8	920211060	DECAL: CAUTION (TRAVEL LEVER)	1	
9	920213920	DECAL: SERIAL NO. ....	1	CONTACT MQ PARTS DEPT.
9	920216620	DECAL: SERIAL NO. (PAS) .....	1	CONTACT MQ PARTS DEPT.
10	920201580	DECAL: MQ LOGO	1	
11	920211010	DECAL: V-BELT HDPF-5370	1	
12	920106760	DECAL: STOP-RUN-START	1	
14	920214100	DECAL: E/G FIRE WARNING	1	
15	920216610	DECAL: CAUTION (FOR WASHING)	1	

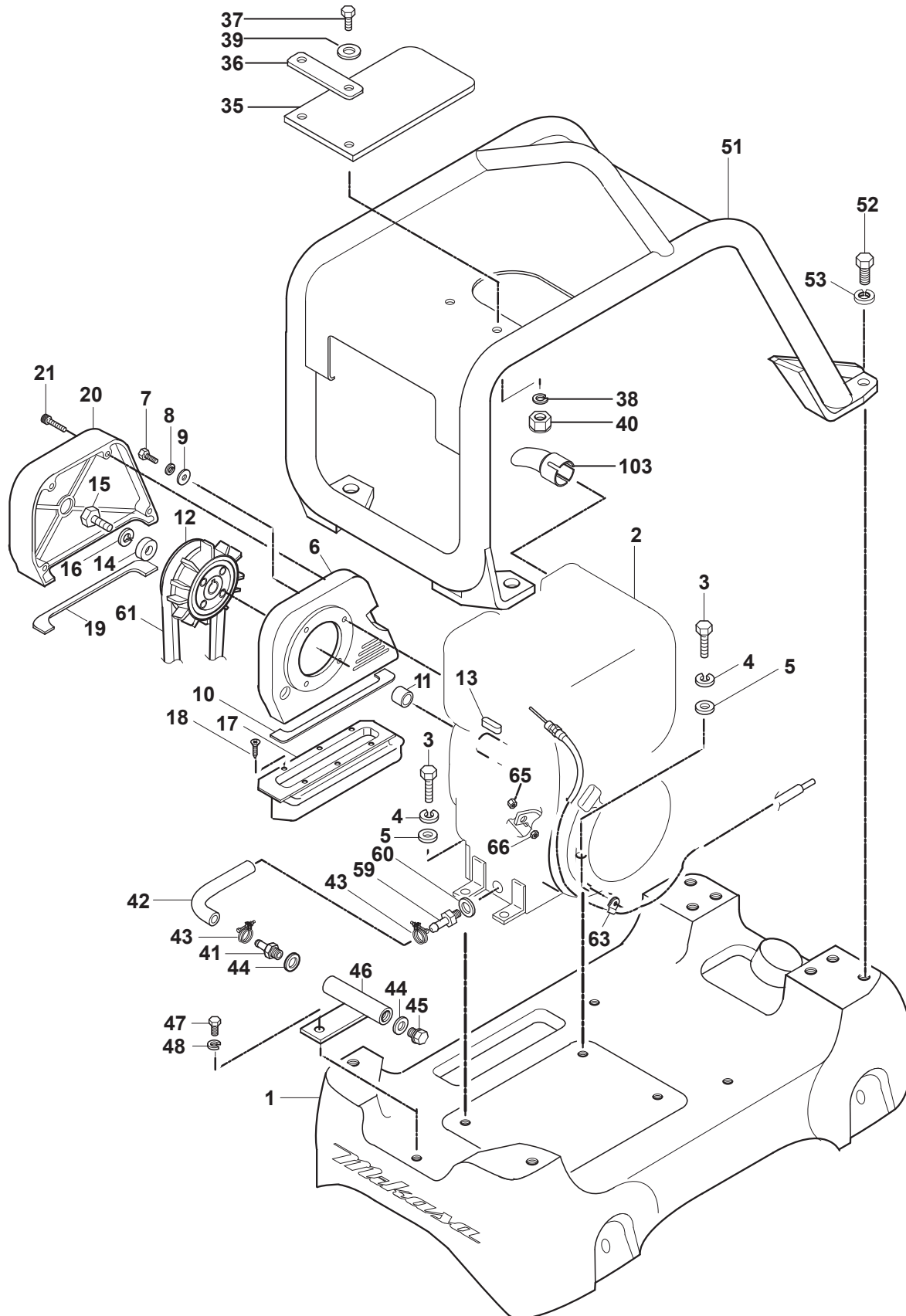
# VIBRATING PLATE ASSY.



## VIBRATING PLATE ASSY.

<u>NO.</u>	<u>PART NO.</u>	<u>PART NAME</u>	<u>QTY.</u>	<u>REMARKS</u>
1	465118410	VIBRATING PLATE	1	
2	464458940	OIL GAUGE	1	
3	953402930	COPPER PACKING 19X30X1	1	
4	953400270	PLUG 1/4X14 10L	1	
5	953405260	PACKING 1/4 (CU)	1	
6	939010260	SHOCK ABSORBER 110X60H	4	
7	020316130	NUT M16	4	
8	030216400	WASHER, LOCK M16	4	
9	001221635	BOLT 16X35 T	4	
10	001221830	BOLT 18X30 T	8	
11	030218460	WASHER, LOCK M18	8	
12	030216400	WASHER, LOCK M16	4	
15	939010010	SHOCK ABSORBER, STOPPER 45	4	
16	020310080	NUT M10	4	
17	031110160	WASHER, FLAT M10	4	
18	030210250	WASHER, LOCK M10	4	
19	465345050	COVER, VIBRATING PLATE	2	
20	001220815	BOLT 8X15 T	12	
21	030208200	WASHER, LOCK M8	12	
31	456210690	EXTENSION PLATE .....	2.....	OPTION
32	001221850	BOLT 18X50 T.....	8.....	OPTION
33	030218460	WASHER, LOCK M18.....	8.....	OPTION

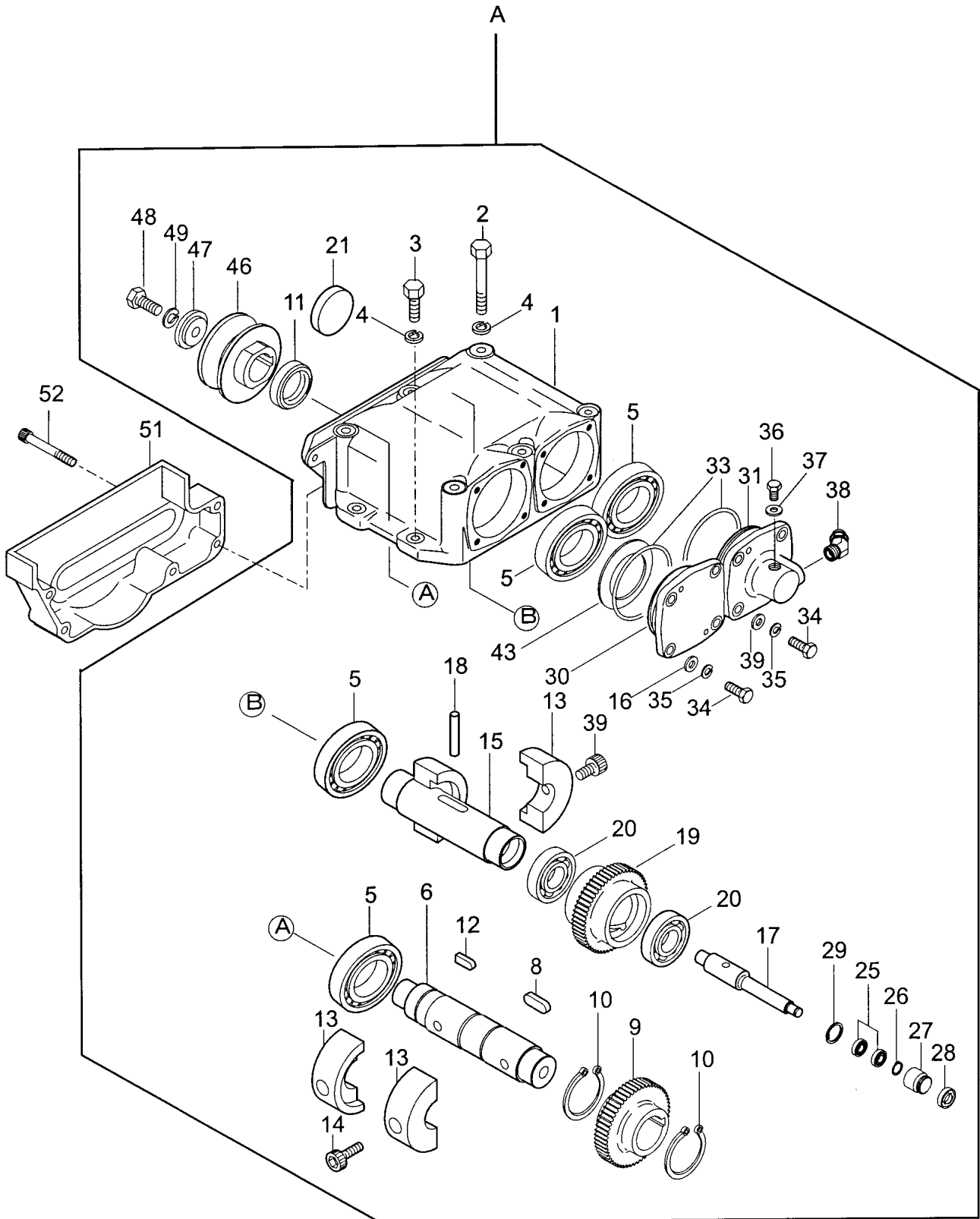
# BASE AND ENGINE ASSY.



## BASE AND ENGINE ASSY.

<u>NO.</u>	<u>PART NO.</u>	<u>PART NAME</u>	<u>QTY.</u>	<u>REMARKS</u>
1	465118600	BASE	1	
2	918400800	ENGINE ASSY., 1B40	1	
3	001221030	BOLT 10X30T	4	
4	030210250	WASHER, LOCK M10	4	
5	031110160	WASHER, FLAT M10	4	
6	465217230	BELT COVER (IN) L100	1	
7	001221030	BOLT 10X30 T	4	
8	030210250	WASHER LOCK M8	4	
9	031108160	WASHER, FLAT M8	4	
10	465345100	DUST- PROOF SPONGE (IN)	1	
11	464457360	SPACER	1	
12	456343340	CLUTCH ASSY/CHM03/W. FAN	1	
13	951400110	KEY 7X7X35	1	
14	952403450	WASHER 11X35X4.5	1	
15	001221030	BOLT 10X30 T	1	
16	030210250	WASHER, LOCK M10	1	
17	465216990	DUST-PROOF COVER	1	
18	092006010	FLAT HEAD SCREW 6X10	6	
19	465345110	DUST-PROOF SPONGE (OUT)	1	
20	465217000	BELT COVER (OUT)	1	
21	001521045	SOCKET HEAD BOLT 10X45 T	4	
35	458450830	RUBBER COVER (GUARD FRAME)	1	
36	458450810	PLATE, COVER	1	
37	001220830	BOLT 8X30 T	1	
38	030208200	WASHER, LOCK M8	3	
39	031108160	WASHER, FLAT M8	3	
40	022710809	NYLON NUT M8	3	
41	2556390111	UNION	1	
42	2556380103	DRAIN HOSE	1	
43	0091720000	HOSE CLAMP	2	
44	0211140020	GASKET	2	
45	0401140030	PLUG	1	
46	464457380	DRAIN JOINT	1	
47	001220820	BOLT 8X20 T	1	
48	030208200	WASHER, LOCK M8	1	
49	454010020	CLAMP TC-100	1	
51	465118670	GUARD HOOK	1	
52	001221445	BOLT 14X45 T	4	
53	030214350	WASHER, LOCK M14	4	
59	465459670	UNION, OIL DRAIN	1	
60	50001600	JOINT A 22X27	1	
61	070200373	V-BELT	1	
63	2067550101	CLAMP COMPLETE	1	
65	020406040	NUT M6, H=4.2	1	
66	959406800	NUT M6 (SPECIAL-L10)	1	
103	465459660	EXHAUST PIPE	1	

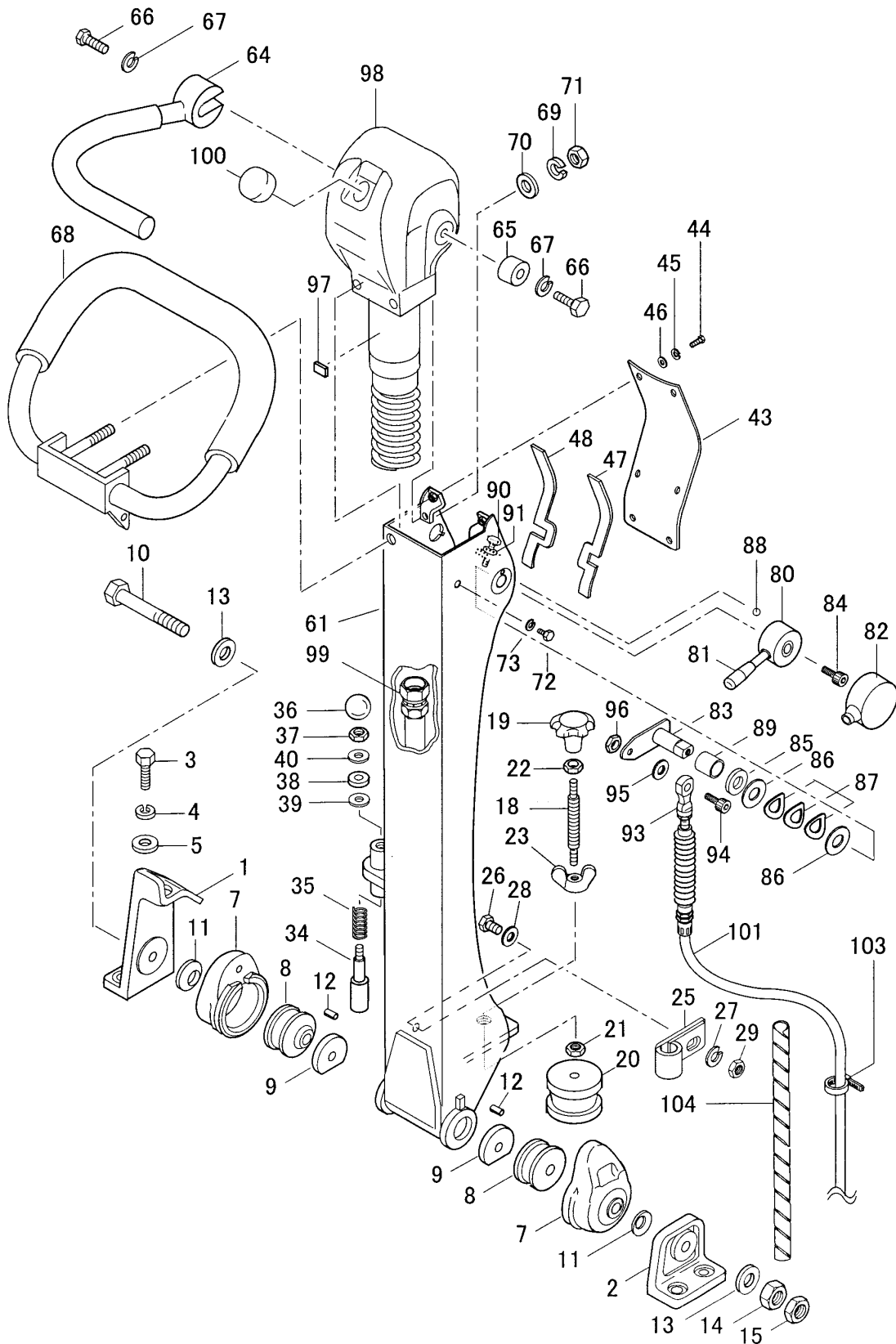
# VIBRATOR ASSY.



# VIBRATOR ASSY.

<u>NO.</u>	<u>PART NO.</u>	<u>PART NAME</u>	<u>QTY.</u>	<u>REMARKS</u>
A	465910010	VIBRATOR ASSY.....	1.....	INCLUDES ITEMS W/#
1#	464117880	VIBRATING CASE	1	
2#	001221470	BOLT14X150 T	6	
3#	001221450	BOLT 14X50 T	4	
4#	030214350	WASHER, LOCK M14	10	
5#	047920120	ROLLER BEARING NJ310EMC4	4	
6#	457212410	ROTARY SHAFT, DRIVE	1	
8#	951405370	KEY 15X10X39 RR	1	
9#	456327150	GEAR, DRIVE	1	
10#	080200550	STOP RING S-55	2	
11#	060105030	OIL SEAL SB-50729	1	
12#	951404970	KEY 12X8X30 R	1	
13#	465345080	ECCENTRIC ROTATOR	4	
14#	009120301	SOCKET HEAD BOLT 16X30 T	2	
15#	456337670	ROTARY SHAFT, DRIVEN/304B	1	
16#	009120302	SOCKET HEAD BOLT 16X30T	2	
17#	456337380	PISTON ROD	1	
18#	456010010	KNOCK PIN 10X70	1	
19#	464343720	GEAR (DRIVEN)	1	
20#	040006911	BEARING 6911	2	
21#	953010030	SEAL CAP/SC72-8N	1	
25#	042506000	BEARING 6000ZZSG	2	
26#	080200100	STOP RING S-10	1	
27#	455435051	PISTON, 22.4D	1	
28#	455010070	PACKING USH-22. 4X30X5	1	
29#	080100260	STOP RING R-26	1	
30#	456327130	BEARING COVER	1	
31#	456210636	CYLINDER (L)	1	
33#	050101050	O-RING G-105	2	
34#	001221025	BOLT 10X25 T	8	
35#	030210250	WASHER, LOCK M10	8	
36#	001220812	BOLT 8X12 T	1	
37#	953404600	COPPER PACKING 8X16X2	1	
38#	455010020	ELBOW 45 DEG. 15-0404	1	
39#	031110160	WASHER, FLAT M10	4	
43#	952405470	SHIM 90X110X0.5	2	
46#	465345090	PULLEY	1	
47#	456437920	WASHER, PULLEY	1	
48#	001221230	BOLT 12X30 T	1	
49#	030212300	WASHER, LOCK M12	1	
51	465217010	BELT COVER (LOWER)	1	
52	001520856	SOCKET HEAD BOLT 8X80 T	5	

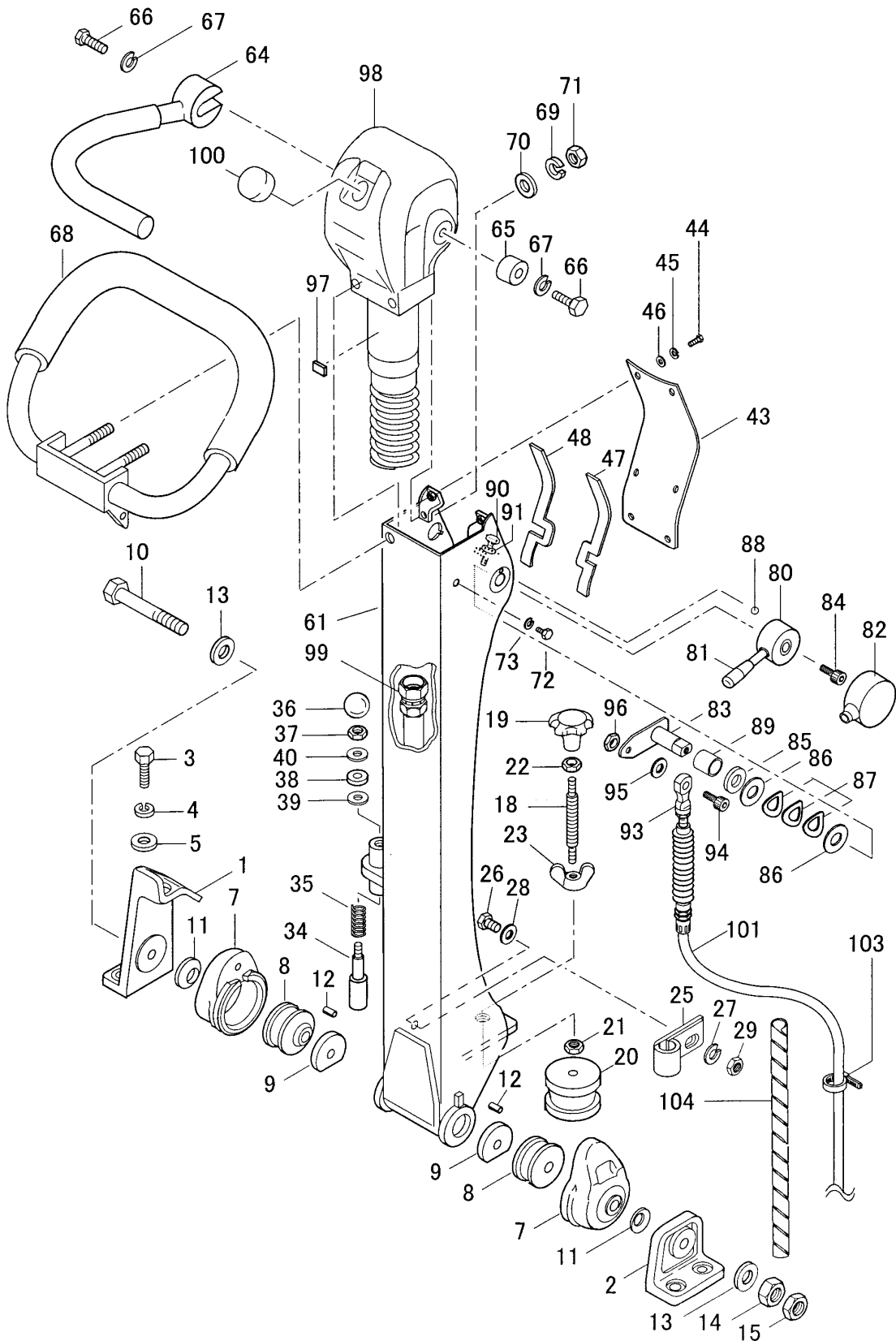
# CONTROL HANDLE ASSY.



## CONTROL HANDLE ASSY.

<u>NO.</u>	<u>PART NO.</u>	<u>PART NAME</u>	<u>QTY.</u>	<u>REMARKS</u>
1	464343680	HANDLE BRACKET	1	
2	456336420	HANDLE BRACKET(R)	1	
3	001221235	BOLT 12X35 T	4	
4	030212300	WASHER, LOCK M12	4	
5	031112230	WASHER, FLAT M12	4	
7	456336400	RUBBER COUPLING	2	
8	456449940	SHOCK ABSORBER	2	
9	456449930	RUBBER PLATE	2	
10	001221681	BOLT 16X250 T	1	
11	032124400	CONICAL SPRING WASHER M24	2	
12	025406016	SPRING PIN 6X16	2	
13	031116260	WASHER, FLAT M16	2	
14	020316130	NUT M16	1	
15	020416100	NUT M16, H=10	1	
18	455434950	SPINDLE	1	
19	455010030	KNOB	1	
20	939010060	SHOCK ABSORBER 60	1	
21	020410060	NUT M10, H=6	1	
22	020412070	NUT M12, H=7	1	
23	022411635	WING NUT M16	1	
25	954404230	CLAMP SA120-18	1	
26	001220620	BOLT 6X20 T	1	
27	030206150	WASHER, LOCK M6	1	
28	031106100	WASHER, FLAT M6	1	
29	020306050	NUT M6	1	
34	501402870	HANDLE STOPPER	1	
35	501402880	SPRING/HANDLE (1.4X18X44)	1	
36	959403460	BALL GRIP 32D-M10	1	
37	020410060	NUT M10, H=6	1	
38	456449980	RUBBER PACKING 9D-20D-5T	1	
39	953405260	PACKING 1/4 (CU)	1	
40	031110160	PW M10	1	
43	465345520	HANDLE COVER	1	
44	001220615	BOLT 6X15 T	6	
45	030206150	WASHER, LOCK M6	6	
46	031106100	WASHER, FLAT M6	6	
47	464457710	PACKING A, HANDLE COVER	1	
48	464457720	PACKING B, HANDLE COVER	1	
61	465118650	COLUMN, HANDLE	1	
64	464216630	TRAVEL LEVER	1	
65	464457400	HANDLE BOSS	1	
66	001221030	BOLT 10X30 T	2	
67	030210250	WASHER, LOCK M10	2	
68	464216620	HANDLE W/RUBBER GRIP	1	

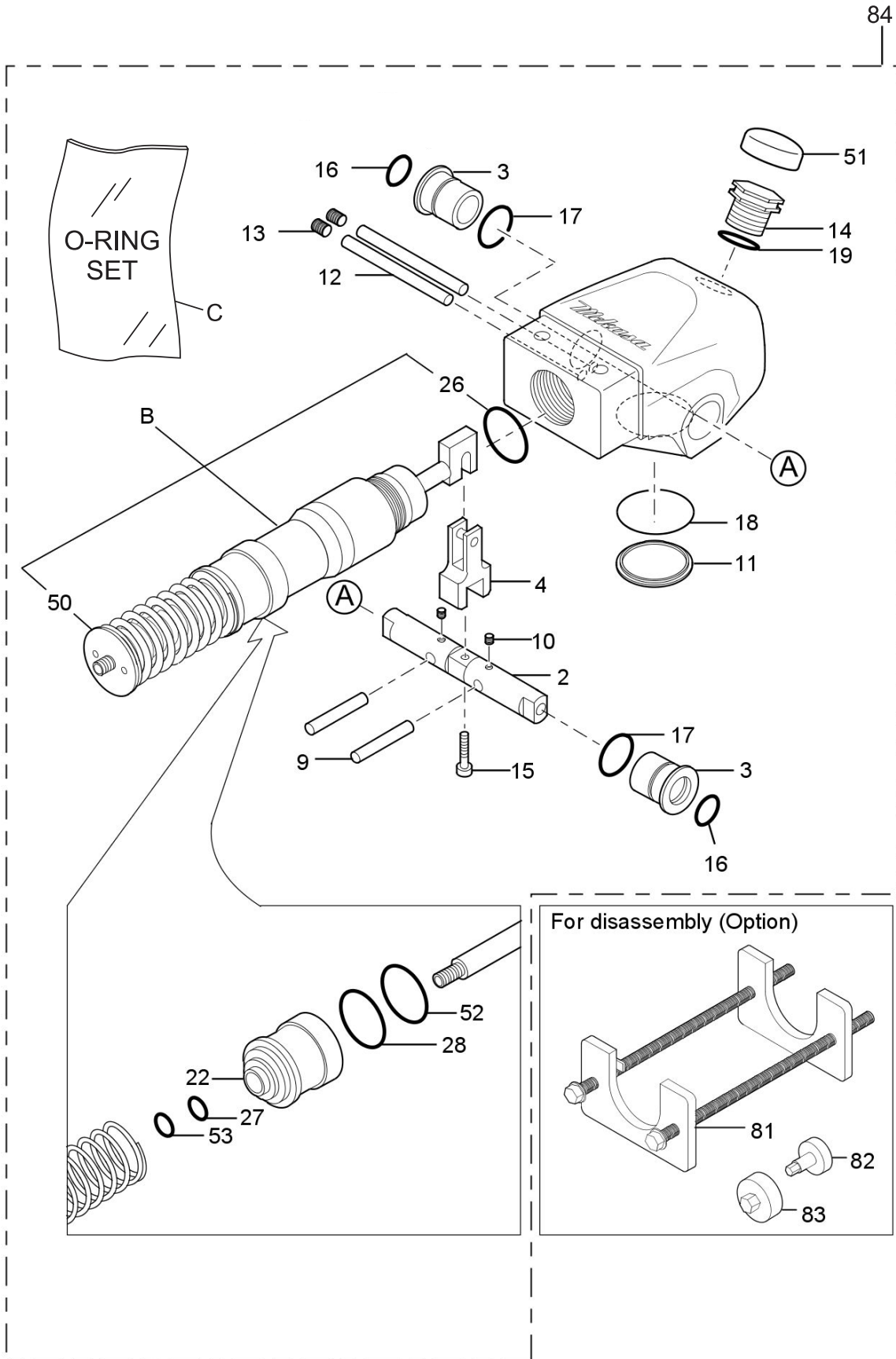
# CONTROL HANDLE ASSY. (CONT'D.)



## **CONTROL HANDLE ASSY. (CONT'D.)**

<b>NO.</b>	<b>PART NO.</b>	<b>PART NAME</b>	<b>QTY.</b>	<b>REMARKS</b>
69	030210250	WASHER, LOCK M10	2	
70	031110160	WASHER, FLAT M10	2	
71	020310080	NUT M10	2	
72	001220825	BOLT 8X25 T	2	
73	030208200	WASHER, LOCK M8	2	
80	464457340	THROTTLE LEVER	1	
81	959403840	BAR GRIP, I.D. 12MM	1	
82	464457420	COVER, THROTTLE LEVER	1	
83	464457350	ARM, THROTTLE	1	
84	001520820	SOCKET HEAD BOLT 8X20 T	1	
85	031116260	WASHER, FLAT M16	1	
86	458450660	WASHER 16.4-35-0.6	2	
87	033910080	CONICAL SW 16,3X31.5X1.2	3	
88	464457440	STEEL BALL D6 (SUJ)	1	
89	464010010	DRY BUSHING /LFB-1620	1	
90	001220625	BOLT 6X25 T	2	
91	020306050	NUT M6	2	
93	464010020	ROD END M5	1	
94	001520520	SOCKET HEAD BOLT 5X20 T	1	
95	031105080	WASHER, FLAT M5	1	
96	020305040	NUT M5	1	
97	464457930	RUBBER PIECE (T2)	1	
99	954002270	OIL HOSE W/SPRING 1/4X920	1	
101	956100060	THROTTLE WIRE	1	
103	454010020	CLAMP TC-100	1	
104	959021810	SPIRAL TUBE KEP6/L=500	1	

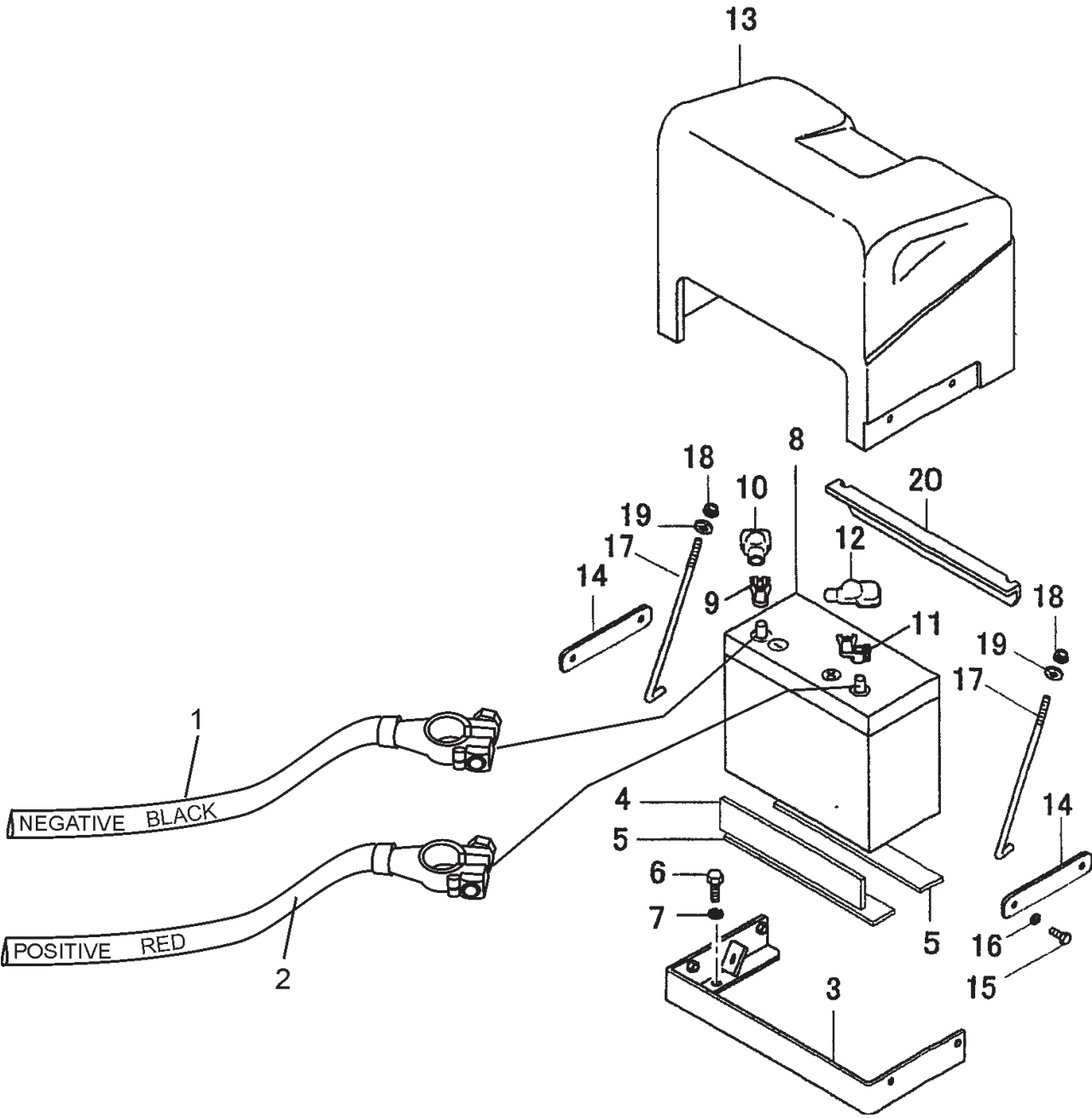
# HAND PUMP ASSY.



## HAND PUMP ASSY.

<b>NO.</b>	<b>PART NO.</b>	<b>PART NAME</b>	<b>QTY.</b>	<b>REMARKS</b>
B%	464910070	ACCUMULATOR	1	
C%	464910080	O-RING DUST, SEAL, SET .....	1	INCLUDES ITEMS W/#
2%	464010040	CONTROL SHAFT	1	
3%	464010050	BUSH	2	
4%	464010060	CAM	1	
9%	464010070	STOPPER	2	
10%	099205005	SOCKET HEAD SCREW 5X5 T	2	
11%	464010080	PLUG	1	
12%	464010090	PIN,STOPPER	2	
13%	464010100	PLUG	2	
14%	458010080	BREATHER	1	
15%	014206020	SOCKET HEAD BOLT 6X20 T .....	1	REPLACES P/N 001520620
16#%	050200200	O-RING P-20	2	
17#%	050210220	O-RING P-22 .....	2	REPLACES P/N 050200220
18#%	050300380	O-RING S-38	1	
19#	050200180	O-RING P-18	1	
22%	464010111	ACCUMULATOR CASE	1	
26#%	050300400	O-RING S-40	1	
27#%	050200150	O-RING P-15	1	
28#%	050100400	O-RING G-40	1	
50%	464010120	SPRING PLUG	1	
51%	458451630	BREATHER CAP	1	
52#%	069904010	DUST SEAL SER-40	1	
53#%	069901010	DUST SEAL SER-15	1	
81%	984010060	SPRING COMPRESSION TOOL	1	
82%	984010040	DISASSEMBLING TOOL A	1	
83%	984010050	DISASSEMBLING TOOL B	1	
84	465217100	HAND PUMP ASSY. ....	1	INCLUDES ITEMS W/%

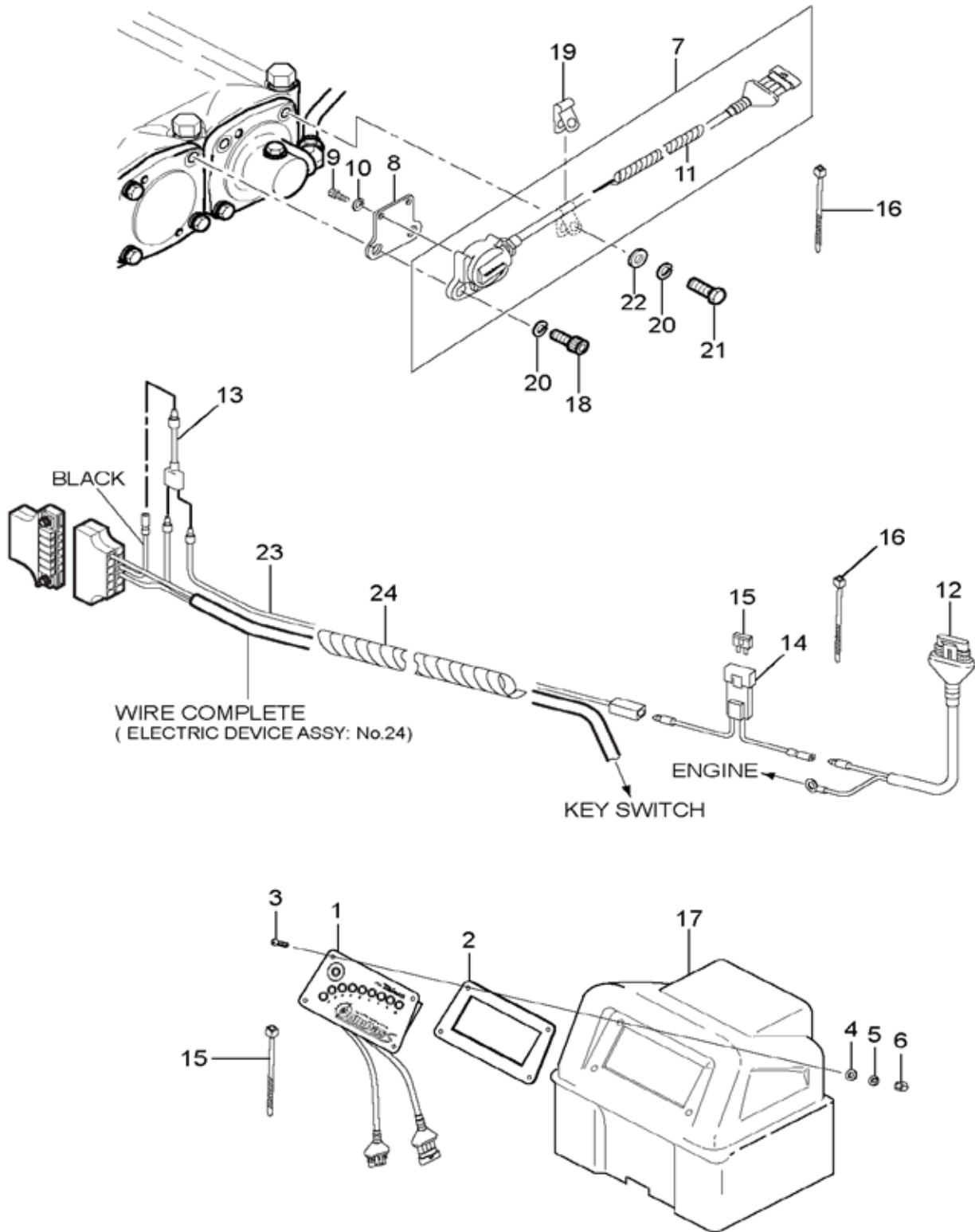
**BATTERY ASSY.**



## BATTERY ASSY.

<u>NO.</u>	<u>PART NO.</u>	<u>PART NAME</u>	<u>QTY.</u>	<u>REMARKS</u>
1	464457460	BATTERY CORD (-) 400L	1	
2	464457470	BATTERY CORD (+) 550L	1	
3	464216660	CRADLE, BATTERY	1	
4	456447590	RUBBER PLATE (E) 28X240X5	1	
5	456447600	RUBBER PLATE 50X240X10	2	
6	012210020	SOCKET HEAD BOLT 10X20 T .....	2	REPLACES P/N 001221020
7	030210250	WASHER, LOCK M10	2	
8	955010020	BATTERY 46B24L	1	
9	955404130	BATTERY TERMINAL (-)	1	
10	955300220	TERMINAL COVER (-)	1	
11	955404140	BATTERY TERMINAL (+)	1	
12	955300210	TERMINAL COVER (+)	1	
13	464021020	COVER, BATTERY	1	
14	464457410	FIXED PLATE, BATTERY COVER	2	
15	011208025	BOLT 8X25 T .....	4	REPLACES P/N 001220825
16	030208200	WASHER, LOCK M8	4	
17	464457390	BATTERY BOLT	2	
18	022710809	NYLON NUT M8	2	
19	0401450080	WASHER, FLAT M8 .....	2	REPLACES P/N 031108160
20	464343740	HOLDER, BATTERY	1	

# COMPACTION ANALYZING SYSTEM ASSY. (MVH406DSCPAS)



## COMPACTION ANALYZING SYSTEM ASSY. (MVH4O6DSCPAS)

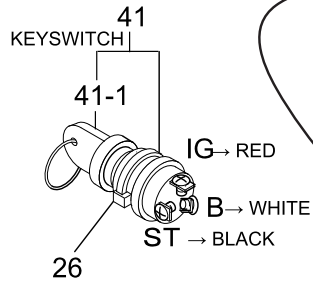
<u>NO.</u>	<u>PART NO.</u>	<u>PART NAME</u>	<u>QTY.</u>	<u>REMARKS</u>
1	465350490	COMPACTION SENSOR PANEL	1	
2	464350510	PACKING, SENSOR	1	
3	009110062	SOCKET HEAD SCREW 6X20	4	
4	952404470	WASHER, FLAT M6.....	4.....	REPLACES P/N 031106100
5	030206150	WASHER, LOCK M6	4	
6	022710607	NYLON NUT M6	4	
7	464350500	ACCELERATION SENSOR ASSY.....	1.....	INCLUDES ITEMS W/ #
8	464464350	SENSOR HOLDER COVER	1	
9	H5HB051000	SOCKET HEAD BOLT 5X10 T.....	2.....	REPLACES P/N 001520510
10	030205130	WASHER, LOCK M5	2	
11#	959021812	SPIRAL TUBE 6D-800L	1	
12	464350390	WIRE HARNESS, SENSOR	1	
13	515450380	WIRE HARNESS	1	
14	464464520	FUSE HOLDER, SENSOR.....	1.....	INCLUDES ITEMS W/ %
15%	464010140	FUSE 2 AMP	1	
16	506010070	CLAMP TC-150	7	
17	464022020	COVER, BATTERY	1	
18	001521030	SOCKET HEAD BOLT 10X30 T	2	
19	959408330	WIRE CLIP, SENSOR	1	
20	030210250	WASHER, LOCK M10	3	
21	0105091025	BOLT 10X25 T.....	1.....	REPLACES P/N 001221025
22	031110160	WASHER, FLAT M10	1	
23	955408440	WIRE HARNESS 500L	1	
24	030208200	SPIRAL TUBE 6D-800L	1	

# ELECTRIC DEVICE ASSY.

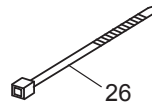
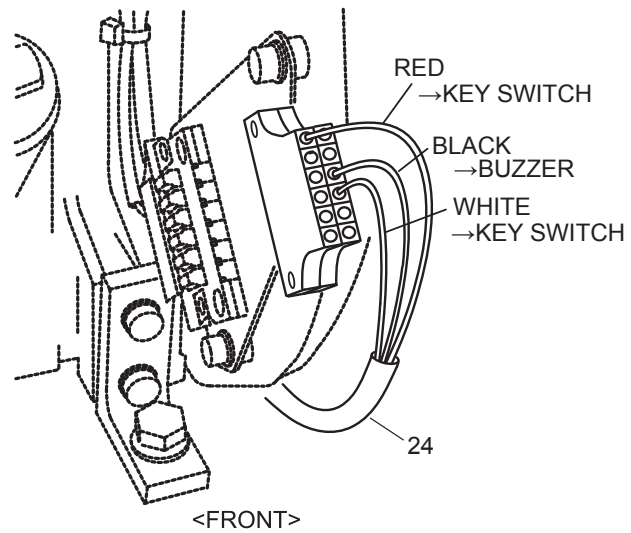
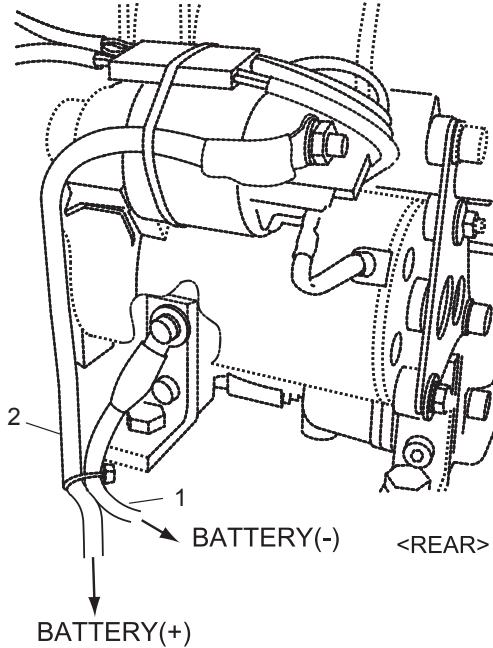
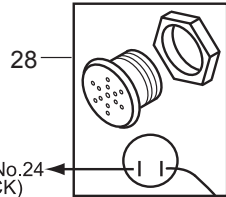
## CONNECTION LIST

	B	IG	ST
OFF			
1	●	●	
2	●	●	●

## KEYSWITCH



## BUZZER

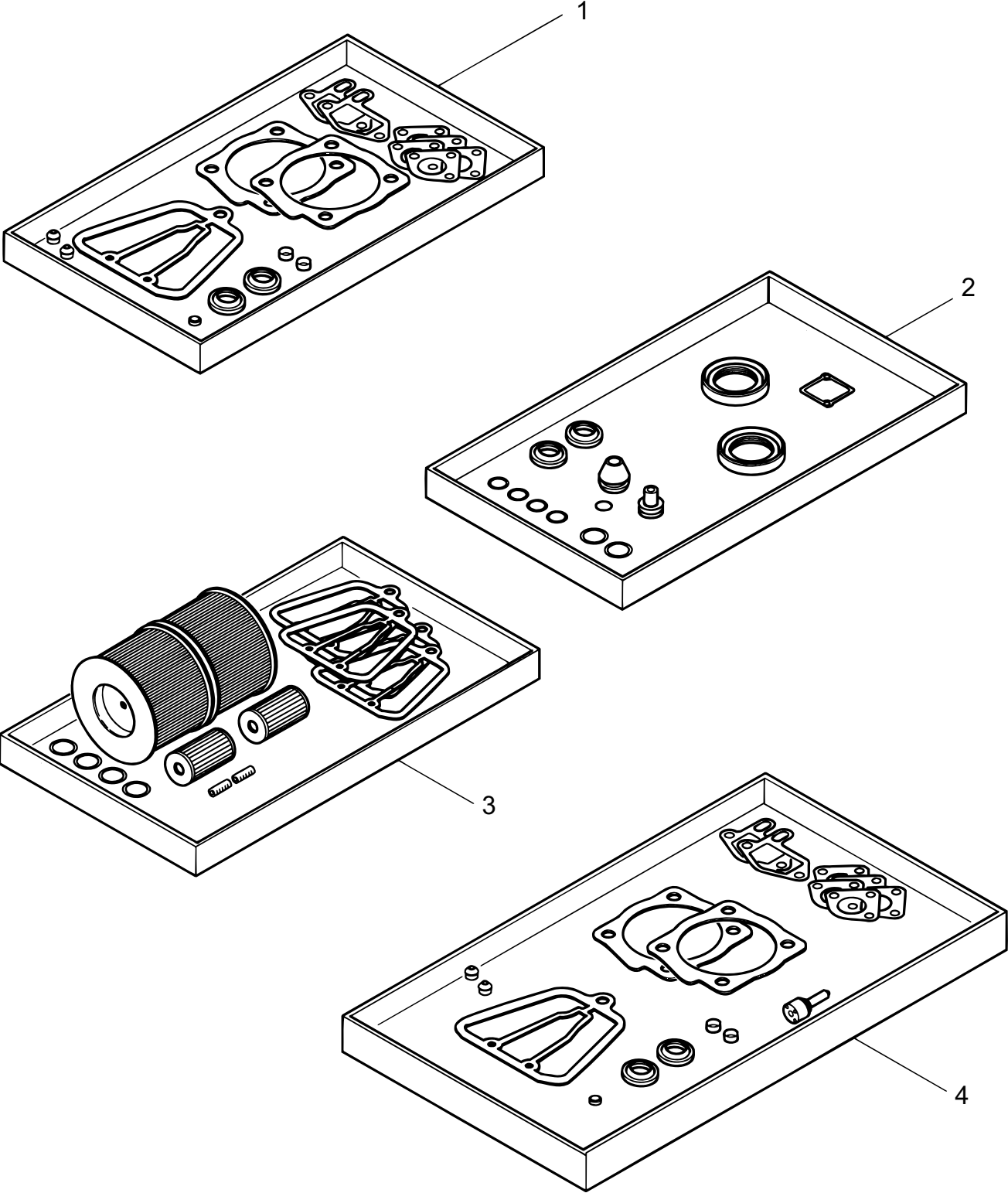


**ELECTRIC DEVICE ASSY.**

---

<u>NO.</u>	<u>PART NO.</u>	<u>PART NAME</u>	<u>QTY.</u>	<u>REMARKS</u>
1	464457460	BATTERY CORD (-) 400L	1	
2	464457470	BATTERY CORD (+) 550L	1	
24	465345590	WIRE COMPLETE	1	
26	454010020	CLAMP TC-100	3	
28	DH50465100	BUZZER (EBL)	1	
41	DH50384401	IGNITION SWITCH W/KEY ASSY. ....	1.....	INCLUDES ITEMS W/ #
41-1#	DH50404900	IGNITION KEY	1	

**ROBIN D1B40T92040 — SPARE PARTS KIT ASSY.**



## **ROBIN D1B40T92040 — SPARE PARTS KIT ASSY.**

---

<u>NO.</u>	<u>PART NO.</u>	<u>PART NAME</u>	<u>QTY.</u>	<u>REMARKS</u>
2	01679302	GASKET SET CRK.CASE	1	
3	01679400	1000H MAINTK.KIT	1	
4	01679510	EMERGENCY KIT	1	

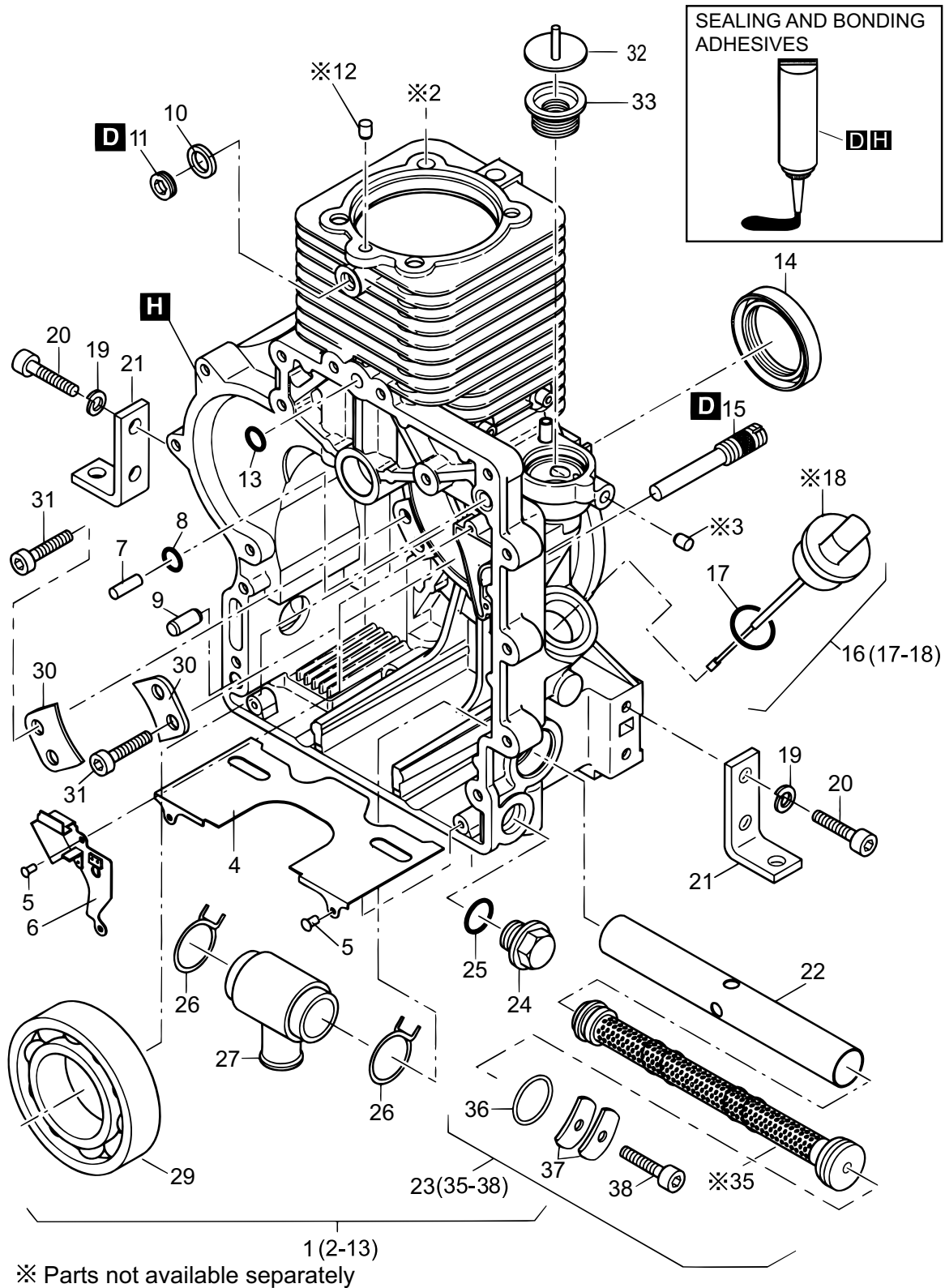


## **ROBIN D1B40T92040 — ACCESSORIES ASSY.**

---

<u>NO.</u>	<u>PART NO.</u>	<u>PART NAME</u>	<u>QTY.</u>	<u>REMARKS</u>
1	01329701	ACCESSORIES KIT	1	
2	01330901	TOOL SET	1	
3	05110402	LABEL CHECK	1	
4	05130000	LABEL STARTING	1	
5	05130100	LABEL LIFTING	1	

# ROBIN D1B40T92040 — CRANKCASE ASSY.

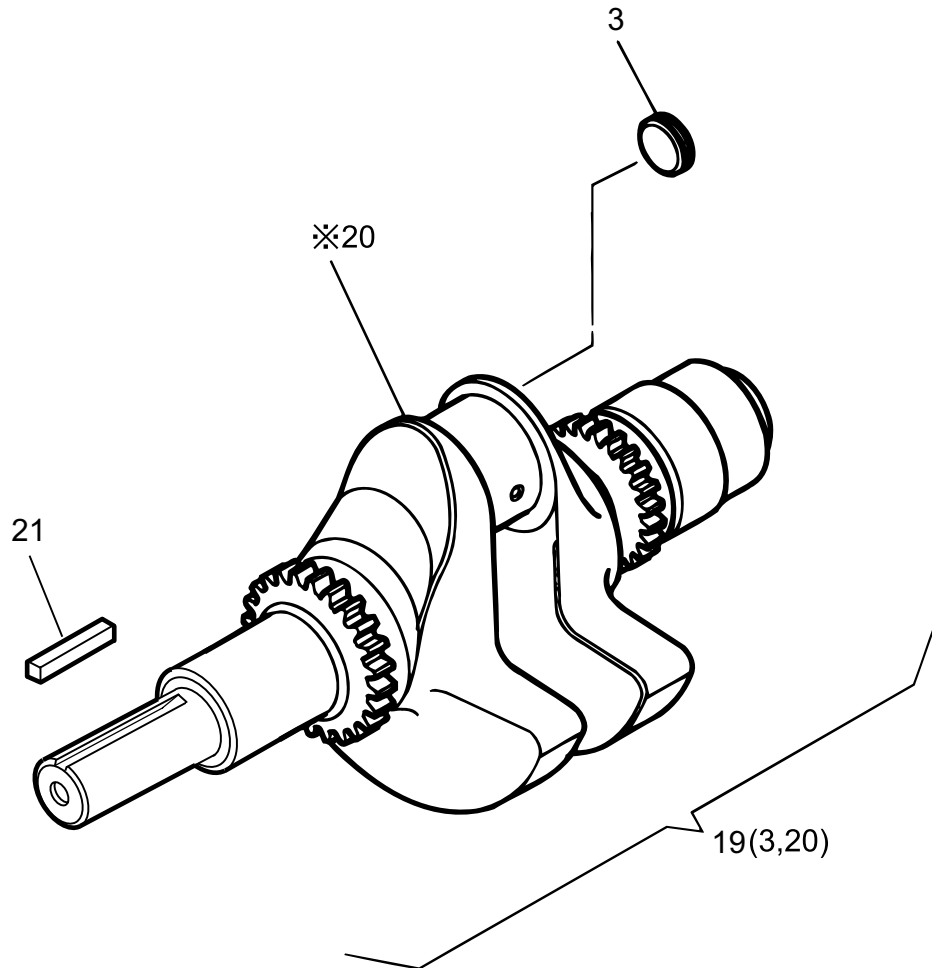


## ROBIN D1B40T92040 — CRANKCASE ASSY.

<u>NO.</u>	<u>PART NO.</u>	<u>PART NAME</u>	<u>QTY.</u>	<u>REMARKS</u>
D	50223300	LOCTITE221 50ML	1	
H	50282501	SILICON 30ML	1	
1	01679100	CRANKCASE ASSY .....	1	INCLUDES ITEMS W/ #
2#		CRANKCASE.....	1	NOT SOLD SEPARATELY
3#		PLUG .....	1	NOT SOLD SEPARATELY
4#	04141600	COVER SHEET	1	
5#	40002600	BLIND RIVET3.2	1	
6#	01336400	COVER SHEET (SIDE)	4	
7#	50502801	CYL.PIN M6X24	1	
8#	50440300	O-RING 8X1.5	1	
9#	50249102	CYL.PIN M6X24	1	
10#	50062400	JOINT A10X13.5	1	
11#	50062300	CLOS.SCREW M10X1	1	
12#		PLUG .....	1	NOT SOLD SEPARATELY
13#	40022300	O-RING 8X2	1	
14	50479000	OIL SEAL 45X60X8	1	
15	04144401	GRUB SCREW	1	
16	01342800	DIPSTICK ASSY .....	1	INCLUDES ITEMS W/ \$
17\$	04125000	SEALING RING	1	
18\$		DIPSTICK .....	1	NOT SOLD SEPARATELY
19	50208500	SPRING WASHER 8	1	
20	04219500	ALLEN SCREW M8X40	1	
21	04144701	ENGINE BRACKET	1	
22	04141500	TUBE F.OIL FILTER	8	
23	01542702	OIL SUCTION FILTER ASSY .....	8	INCLUDES ITEMS W/ %
24	50373100	DRAIN PLG.MAGNT.M22	4	
25	50001600	JOINT A22X27	1	
26	05036900	HOSE CLIP	2	
27	04163000	T-PIECE	1	
29	50478900	GROOV.BALLBEAR.6310	1	
30	04133800	PLATE	3	
31	50564200	ALLEN SCREW M6X18	6	
32	01555800	COVER	1	
33	03568701	OIL SUPPLEMENT PLUG	1	
35%		FILTER, OIL SUCTION.....	1	NOT SOLD SEPARATELY
36%	50475901	O-RING 20X4	1	
37%	05148200	PLATE SPRING	2	
38%	50170700	ALLEN SCREW M6X16	1	

# ROBIN D1B40T92040 — CRANKSHAFT ASSY.

---

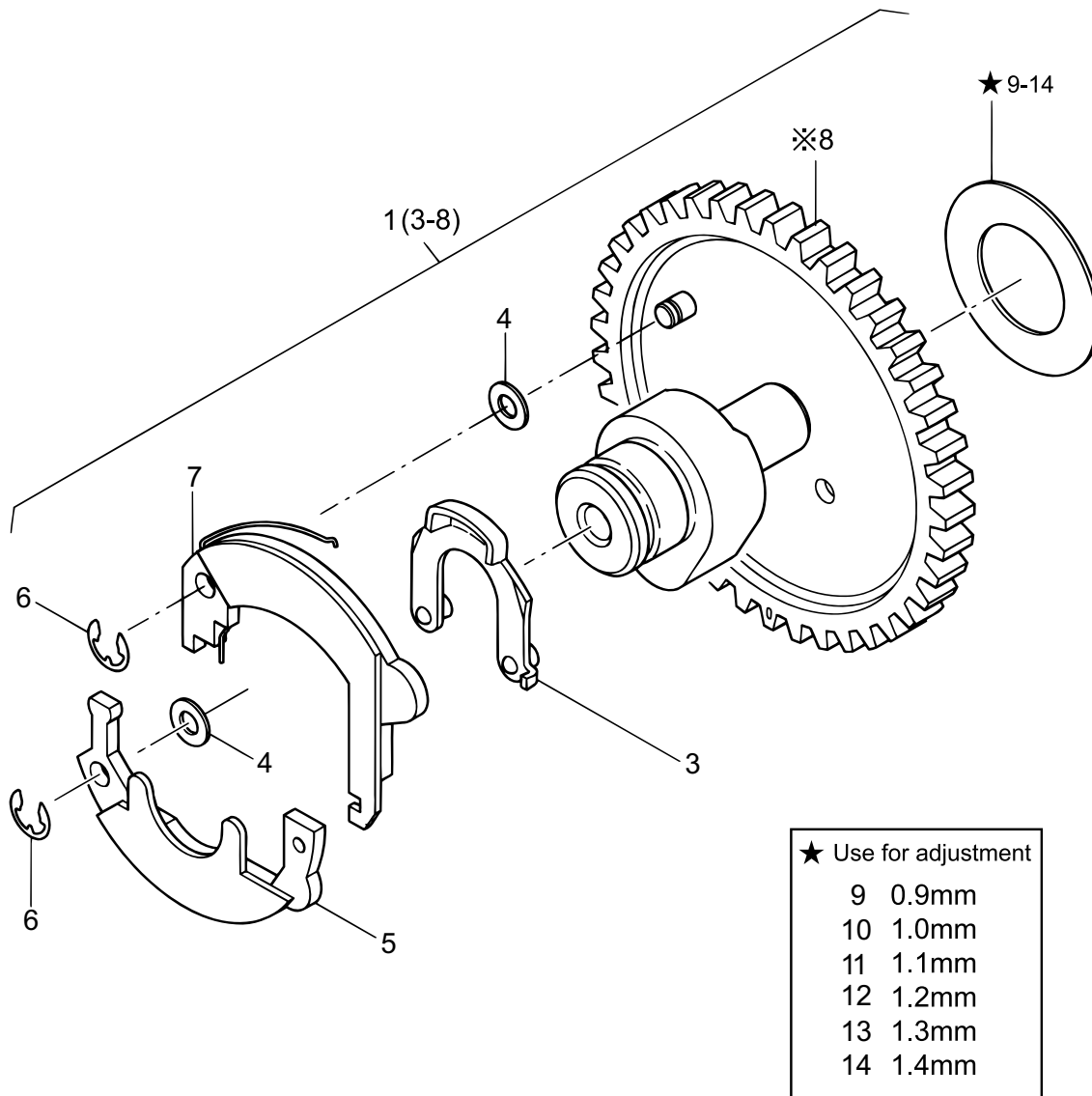


## **ROBIN D1B40T92040 — CRANKSHAFT ASSY.**

---

<u>NO.</u>	<u>PART NO.</u>	<u>PART NAME</u>	<u>QTY.</u>	<u>REMARKS</u>
3#	50529700	COVER 14	1	
19	01896200	CRANKSHAFT ASSY. ....	1.....	INCLUDES ITEMS W/ #
20#		CRANKSHAFT.....	1.....	NOT SOLD SEPARATELY
21	05306100	KEY 7X7X35	1	

# ROBIN D1B40T92040 — CAMSHAFT ASSY.



※ Parts not available separately

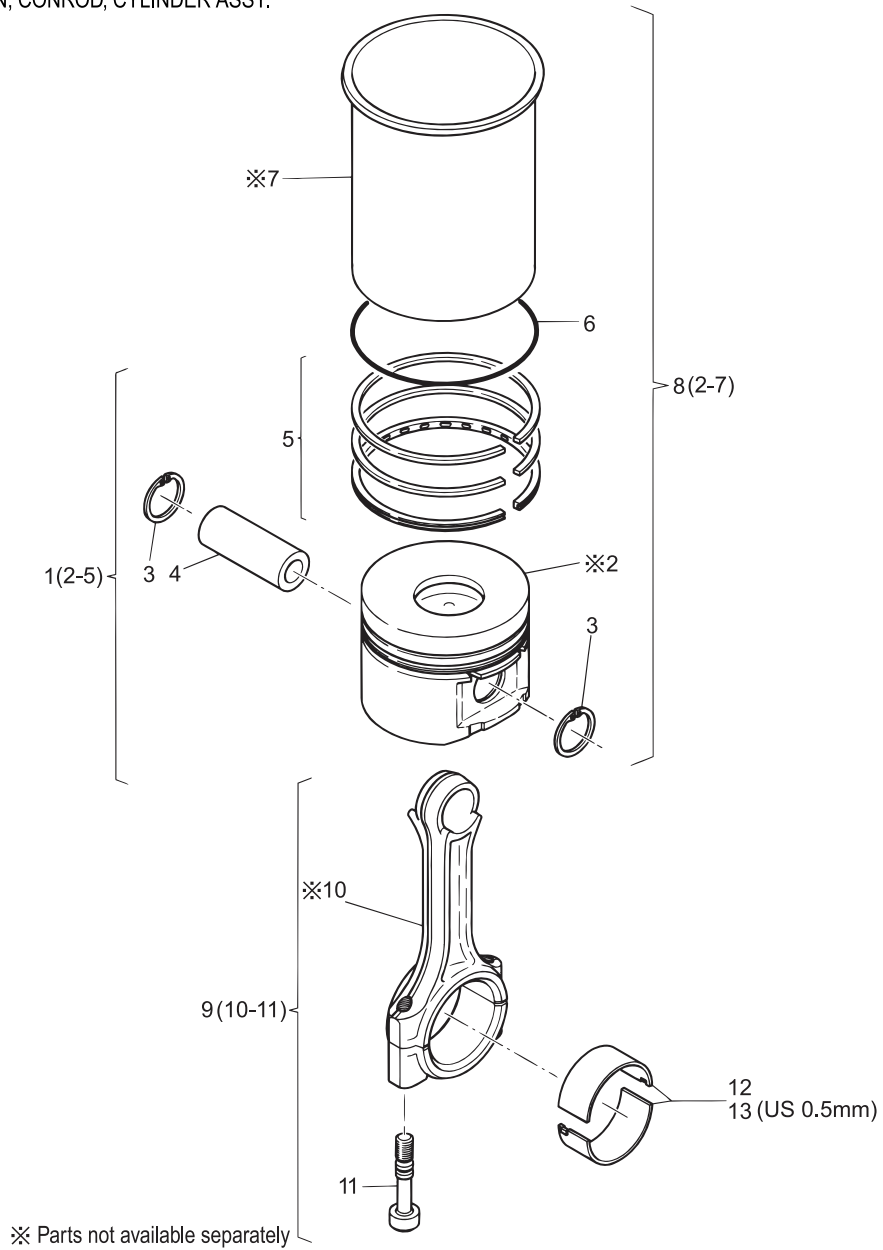
## ROBIN D1B40T92040 — CAMSHAFT ASSY.

---

<u>NO.</u>	<u>PART NO.</u>	<u>PART NAME</u>	<u>QTY.</u>	<u>REMARKS</u>
1	01345003	CAMSHAFT ASSY.....	1.....	INCLUDES ITEMS W/ #
3#	01326401	CAMLEVER	1	
4#	50123200	SHIM 5X10X0.5	2	
5#	01326600	FLYWEIGHT	1	
6#	50255300	LOCKING WASHER 3.2	2	
7#	01326501	F.WEIGHT HAND-ST.	1	
8#		CAMSHAFT .....	1.....	NOT SOLD SEPARATELY
9	04121700	SHIM 23X38X0.9	1	
10	04112100	SHIM 23X38X1.0	1	
11	04112200	SHIM 23X38X1.1	1	
12	04112300	SHIM 23X38X1.2	1	
13	04125100	SHIM 23X38X1.3	1	
14	04125200	SHIM 23X38X1.4	1	

# ROBIN D1B40T92040 — PISTON ASSY.

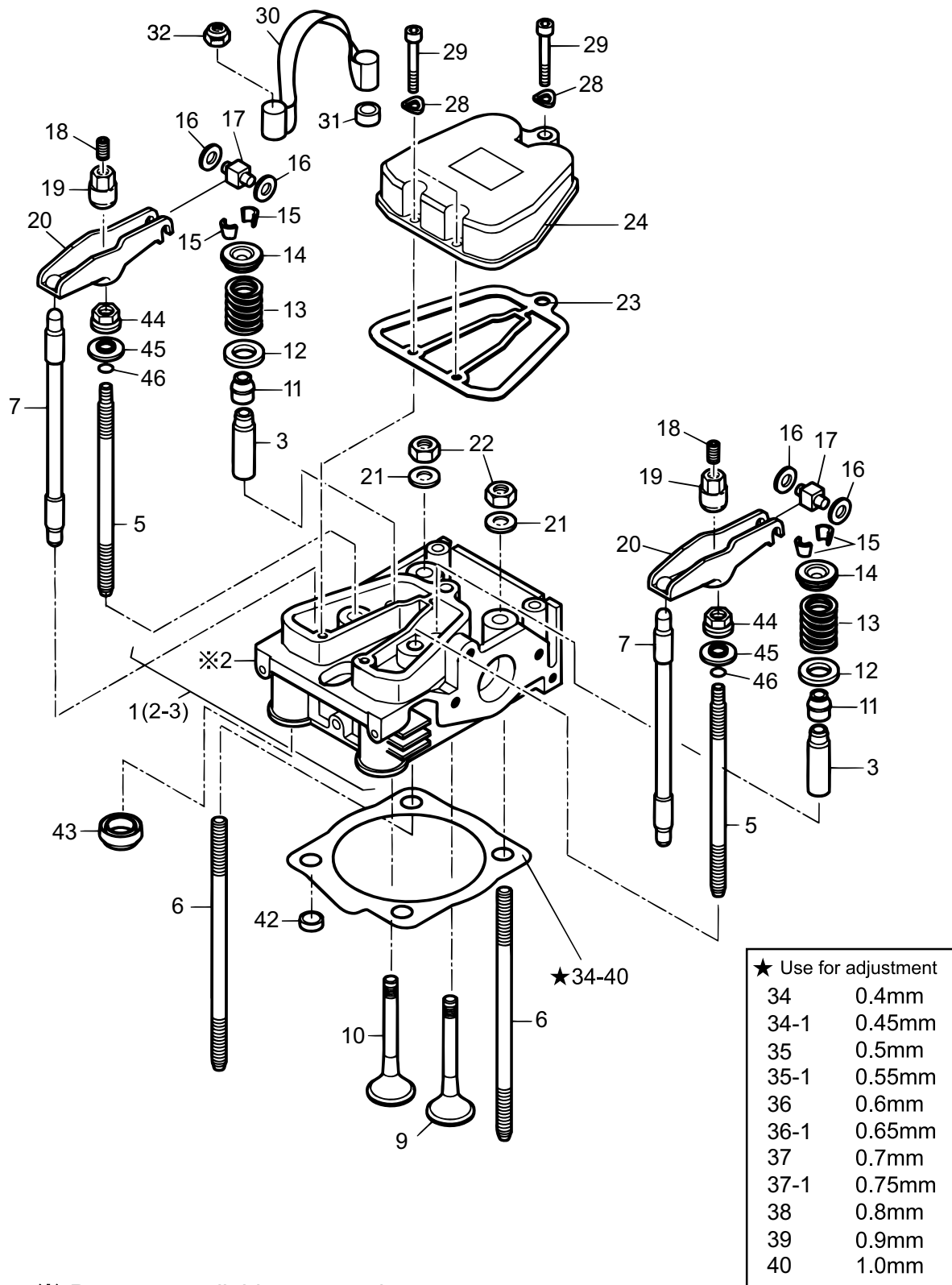
PISTON, CONROD, CYLINDER ASSY.



## ROBIN D1B40T92040 — PISTON ASSY.

<u>NO.</u>	<u>PART NO.</u>	<u>PART NAME</u>	<u>QTY.</u>	<u>REMARKS</u>
1	01374810	PISTON ASSY 88 EPA2 .....	1.....	INCLUDES ITEMS W/ %
2#%		PISTON.....	1.....	NOT SOLD SEPARATELY
3#%	50482300	CIRCLIP 22X1	2	
4#%	50527100	GUDGEON PIN	1	
5#%	01374701	PISTON RING SET 88	1	
6#	50479301	O-RING 93 X 1.5	1	
7#		CYLINDER.....	1.....	NOT SOLD SEPARATELY
8	01679610	CYLINDER W/ PISTON ASSY.....	1.....	INCLUDES ITEMS W/ #
9	01343500	CONROD ASSY .....	1.....	INCLUDES ITEMS W/ \$
10\$		CONROD .....	1.....	NOT SOLD SEPARATELY
11\$	04100500	CONROD SCREW	2	
12	01679800	BIG END BEARING	1	
13	01692700	BIG END BEAR.US0.5	1	

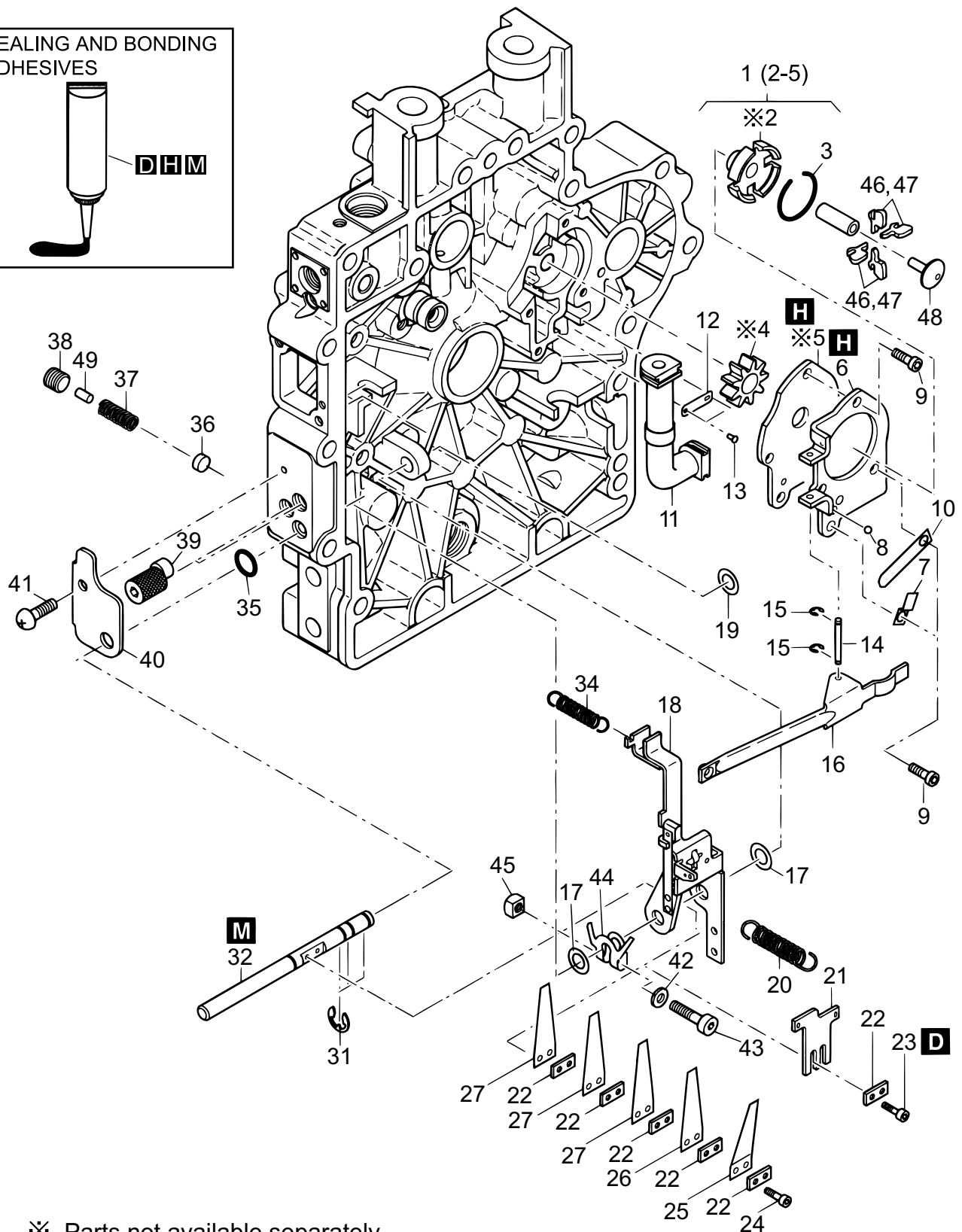
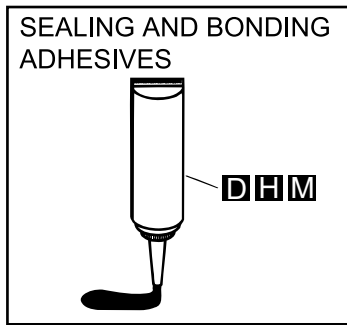
# ROBIN D1B40T92040 — CYLINDER HEAD ASSY.



## ROBIN D1B40T92040 — CYLINDER HEAD ASSY.

<u>NO.</u>	<u>PART NO.</u>	<u>PART NAME</u>	<u>QTY.</u>	<u>REMARKS</u>
1	01850900	CYLINDER HEAD ASSY EPA2 .....	1.....	INCLUDES ITEMS W/ #
2#		CYLINDER HEAD.....	1.....	NOT SOLD SEPARATELY
3#	05209700	VALVE GUIDE	2	
5	05159600	STUD CYL.HEAD	2	
6	05159700	STUD CYL.HEAD	2	
7	01374000	PUSHROD	2	
9	05145100	VALVE INLET	1	
10	05145200	VALVE EXHAUST	1	
11	50425800	STEM SEAL CAP	2	
12	04147100	WASHER	2	
13	04146900	VALVE SPRING	2	
14	04147000	SPRING PLATE	2	
15	50425700	COLLET	2	
16	05240700	SUPP.DISC 6X12X1.35	4	
17	05091101	SLIDER	2	
18	50513100	GRUB SCREW M8X10	2	
19	05054700	NUT F. ROCKERARM	2	
20	05146701	ROCKER	2	
21	05099300	WASHER 10.1X24X3	2	
22	50396600	HEXAGON NUT M 10	2	
23	05156401	GASKET CYL.HEAD	1	
24	05146501	COVER F.CYL.HEAD	1	
28	50081200	SPRING WASHER A 6	3	
29	50374900	ALLEN SCREW M 6X35	3	
30	04117701	LIFTING STRAP	1	
31	04126100	PROTECTION HOSE	2	
32	40028600	HEX.NUT M10	2	
34	05158903	GASKET F.CYL.HEAD 0.4	1	
34-1	04248400	GASKET F.CYL.H. 0.45	1	
35	04248500	GASKET F.CYL.H. 0.55	1	
35-1	04248500	GASKET F.CYL.H. 0.55	1	
36	05159103	GASKET F.CYL.HEAD 0.6	1	
36-1	04248600	GASKET F.CYL.H. 0.65	1	
37	05159203	GASKET F.CYL.HEAD 0.7	1	
37-1	04248700	GASKET F.CYL.H. 0.75	1	
38	05159303	GASKET F.CYL.HEAD 0.8	1	
39	05159403	GASKET F.CYL.HEAD 0.9	1	
40	05159503	GASKET F.CYL.HEAD 1.0	1	
42	04174500	CENTR.BUSH	2	
43	04106500	SEALING RING TIM.COV.	2	
44	03171800	COLLAR NUT	2	
45	04243700	DISC 8.1X12X2.0	2	
46	50563900	O-RING 10X2.5	2	

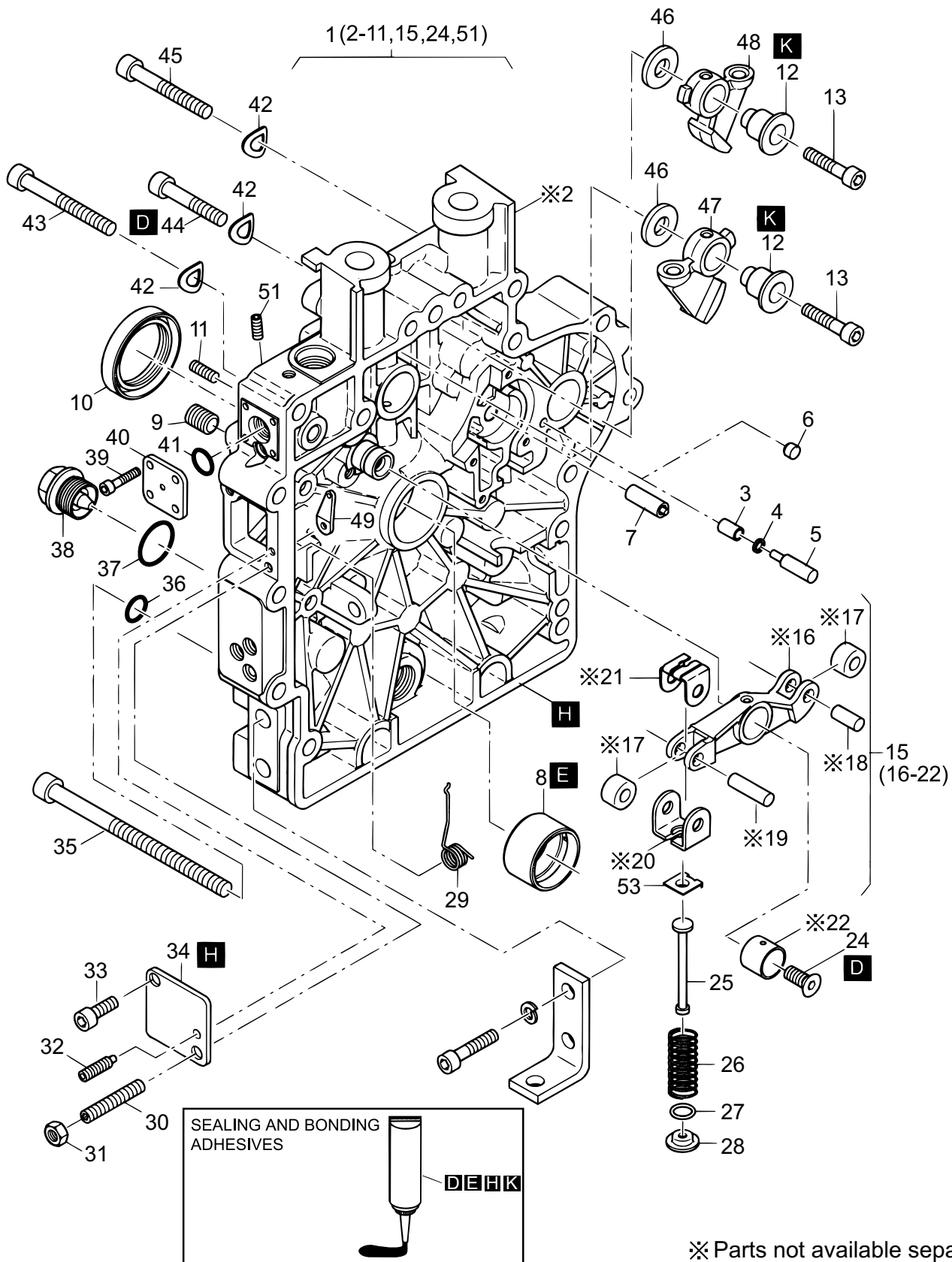
# ROBIN D1B40T92040 — OIL PUMP AND GOV. ASSY.



## ROBIN D1B40T92040 — OIL PUMP AND GOV. ASSY.

<u>NO.</u>	<u>PART NO.</u>	<u>PART NAME</u>	<u>QTY.</u>	<u>REMARKS</u>
D	50223300	LOCTITE221 50ML	1	
H	50282501	SILICON 30ML	1	
M	50485100	SCHLEIF PASTE 80G	1	
1	01344510	OILPUMP CP. ASSY .....	1	INCLUDES ITEMS W/ #
2#		OIL PUMP .....	1	NOT SOLD SEPARATELY
3#	04210910	CIRCLIP	1	
4#		GEAR, OIL PUMP.....	1	NOT SOLD SEPARATELY
5#		HOUSING, OIL PUMP .....	1	NOT SOLD SEPARATELY
6	05078110	COVER, OIL PUMP	1	
7	05097100	RETAINING STRAP	1	
8	50447900	BALL 3.5 MM G100	1	
9	50429400	ALLEN SCREW M5X12	4	
10	05097300	FLAT SPRING 0.4	1	
11	01346000	TUBE OIL SUCTION	1	
12	04153400	FISHPLATE	1	
13	40002600	BLINDRIVET3.2	2	
14	05078600	SHAFT	1	
15	50434800	CIRCLIP 1.9	2	
16	01345901	LEVER	1	
17	50422400	SHIM 8X14X1	2	
18	01365200	GOVERNOR LEVER	1	
19	50125800	DISC 8X14X0.5	1	
20	05130910	GOVERNOR SPRING	1	
21	05130800	STOP	1	
22	05079800	INTERMEDIATE PLATE	1	
23	50465300	ALLEN SCREW M3X8	2	
24	50435000	ALLEN SCREW M3X12	2	
25	05148600	STOP SPRING	1	
26	05078900	GOV. SPRING 0.3	1	
27	05131600	GOV. SPRING 0.2	1	
31	50092700	CIRCLIP 7	1	
32	05079301	SHAFT	1	
34	50563400	TENSION SPRING	1	
35	40022401	O-RING 8X2 GRAY	1	
36	05151700	PLUG	1	
37	50488700	PRESSURE SPRING	1	
38	50475700	GRUB SCREW M10X10	4	
39	05178810	ECCENTRIC SCREW	1	
40	05178400	PLATE	1	
41	50492300	FILL.HEAD SCREW M5X12	1	
42	50216300	WASHER 5.3	2	
43	50492200	ALL.SCR. M5X25	1	
44	05178500	STOP	2	
45	50422700	SQUARE NUT M5	1	
46	05079611	CENTRIFUGAL WEIGHT	2	
47	05160211	CENTRIFUGAL WEIGHT	1	
48	05078502	GOVERNOR SLEEVE	1	
49	50057900	CYL.PIN 4 M6X8	1	

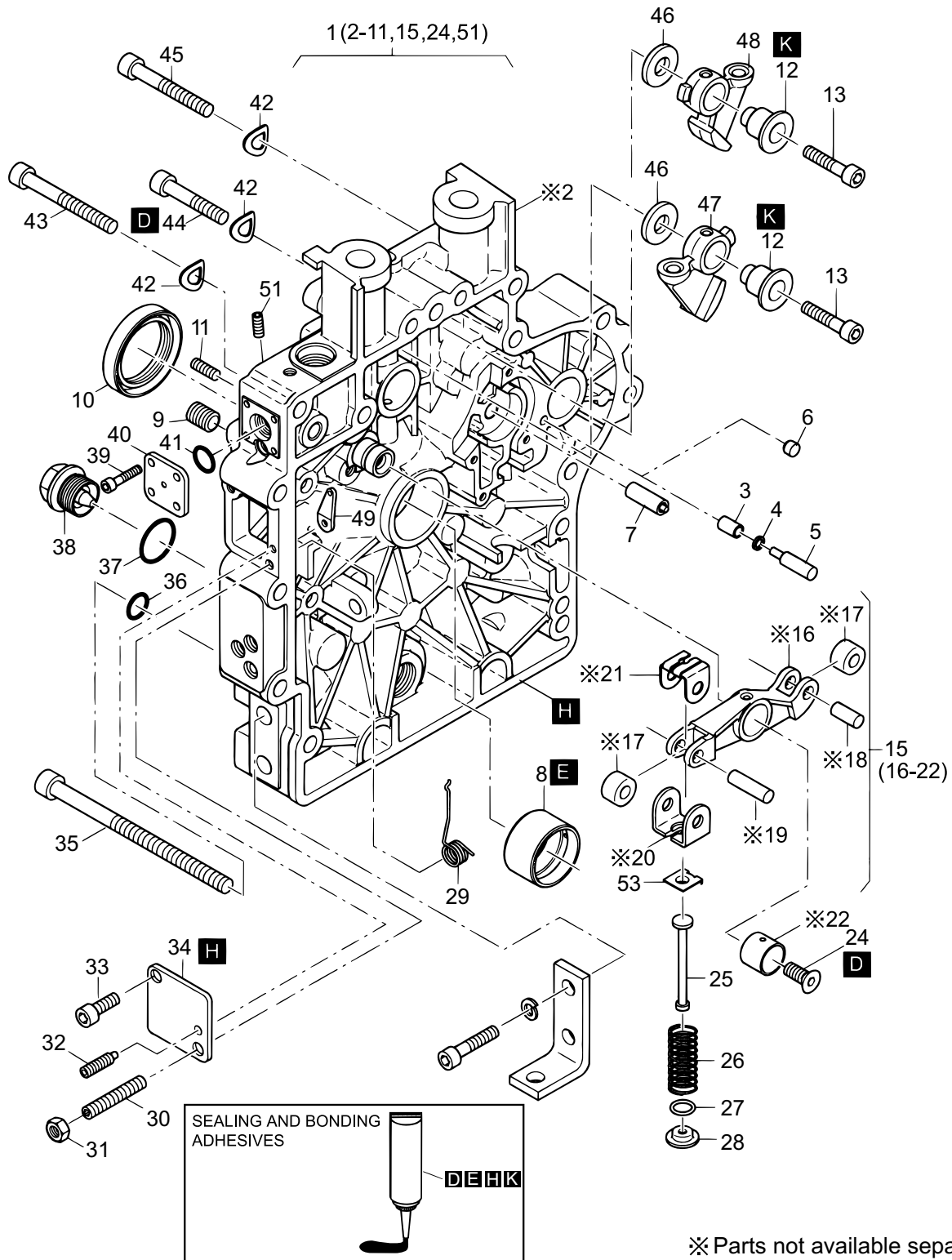
# ROBIN D1B40T92040 — TIMING ASSY.



## ROBIN D1B40T92040 — TIMING ASSY.

<u>NO.</u>	<u>PART NO.</u>	<u>PART NAME</u>	<u>QTY.</u>	<u>REMARKS</u>
D	50223300	LOCTITE221 50ML	1	
D	50223300	LOCTITE221 50ML	1	
E	50223400	LOCTITE648 10ML	1	
H	50282501	SILICON 30ML	1	
K	50342601	HOCHTEMP.FETT 400G	1	
1	01894200	TIMING COVER CP. ASSY .....	1.....	INCLUDES ITEMS W/ #
2#		TIMING COVER.....	1.....	NOT SOLD SEPARATELY
3#	04185800	CLOSING PLUG	1	
4#	50464100	O-RING 2X1	1	
5#	04185700	CLOSING PLUG 4X15	1	
6#	04168600	PLUG 4.3	1	
7#	01344600	BOLT F.GOV.HOUSING	1	
8#	04148800	MAIN BEARING	1	
9#	50530600	GRUB SCREW M8X10	4	
10#	50479500	OIL SEAL 35X47X7	1	
11#	50400600	GRUB SCREW M 5X10	2	
12	03794201	CAM FOLLOW SP.	2	
13	50469900	ALLEN SCREW M6X30	2	
15#	01346710	ROCKER LEVER ASSY .....	1.....	INCLUDES ITEMS W/ \$
16\$		ROCKER LEVER.....	1.....	NOT SOLD SEPARATELY
17\$		BUSHING, ROCKER LEVER .....	1.....	NOT SOLD SEPARATELY
18\$		PIN, ROCKER LEVER.....	1.....	NOT SOLD SEPARATELY
19\$		PIN, ROCKER LEVER.....	1.....	NOT SOLD SEPARATELY
20\$		CLAMP, ROCKER LEVER.....	1.....	NOT SOLD SEPARATELY
21\$		CLAMP, ROCKER LEVER.....	1.....	NOT SOLD SEPARATELY
22\$		SPINDLE.....	1.....	NOT SOLD SEPARATELY
24#	50561800	CTR.SUNK SCREW M6X40	1	
25	04094700	DRAW ROD	1	
26	04095700	PRESSURE SPRING	1	

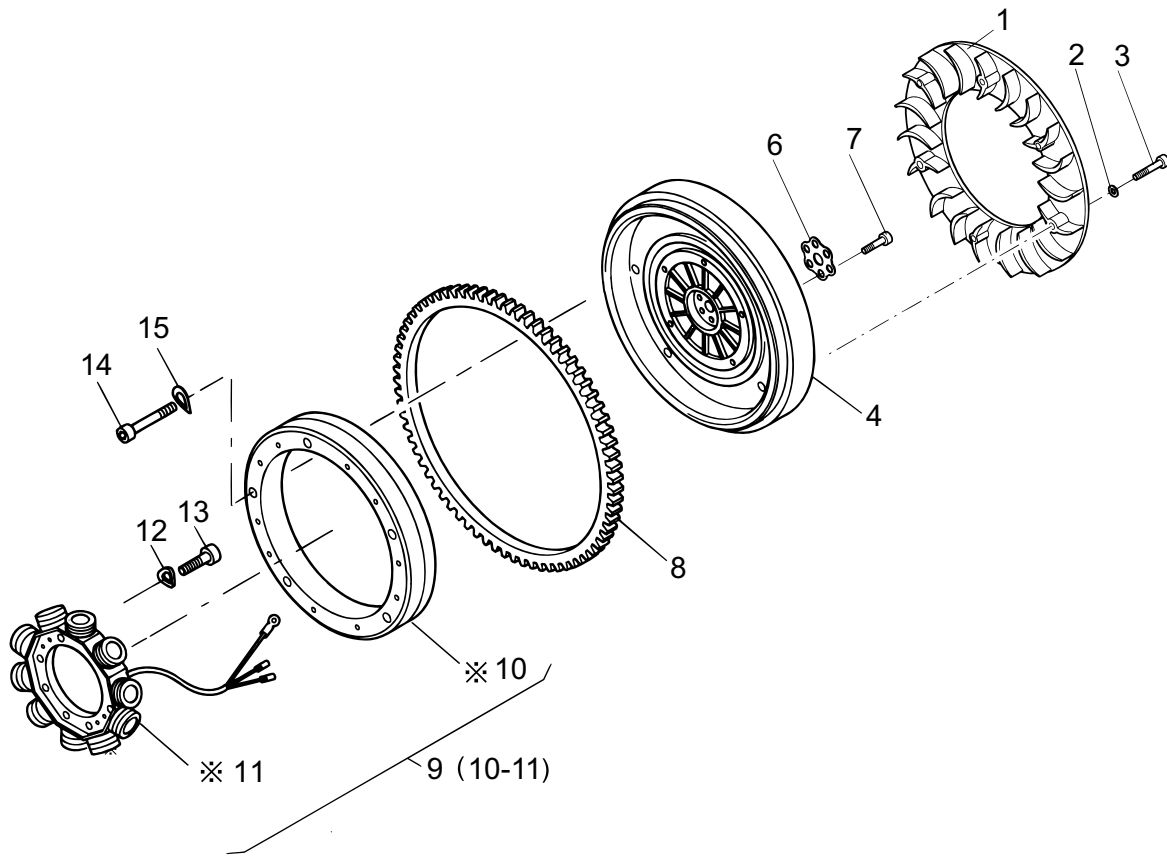
# ROBIN D1B40T92040 — TIMING ASSY. (CONT'D.)



## ROBIN D1B40T92040 — TIMING ASSY. (CONT'D.)

<u>NO.</u>	<u>PART NO.</u>	<u>PART NAME</u>	<u>QTY.</u>	<u>REMARKS</u>
27	04133900	DISC 10.7X19X0.5	1	
28	04094802	CUP	1	
29	05095210	SPRING F.GOVERNOR	1	
30	50499300	GRUB SCREW M6X35	1	
31	50144400	HEXAGON NUT M6	1	
32	50499400	GRUB SCREW M4X25	1	
33	50384200	ALLEN SCREW M6X12	1	
34	04095210	COVER	1	
35	50463000	ALLEN SCREW M8X130	2	
36	50162900	JOINT A8X14	2	
37	50459100	JOINT A22X27	1	
38	50373100	DRAIN PLG.MAGNT.M22	1	
39	50397100	ALLEN SCREW M4X10	4	
40	01351700	COVER	1	
41	50329000	O-RING 9.5X2.5	1	
42	50095100	SPRING WASHER A8	15	
43	50288800	ALLEN SCREW M8X55	11	
44	50177500	ALLEN SCREW M8X40	2	
45	50392900	ALLEN SCREW M8X50	2	
46	03794100	WASHER	2	
47	04146600	CAM FOLLOWER	1	
48	04146000	CAM FOLLOWER	1	
49	05127100	LEVER	1	
51#	50262400	THREADED PIN M6X10	1	
53	04189500	CUP	1	

# ROBIN D1B40T92040 — BLOWER FLYWHEEL & ALT. ASSY.

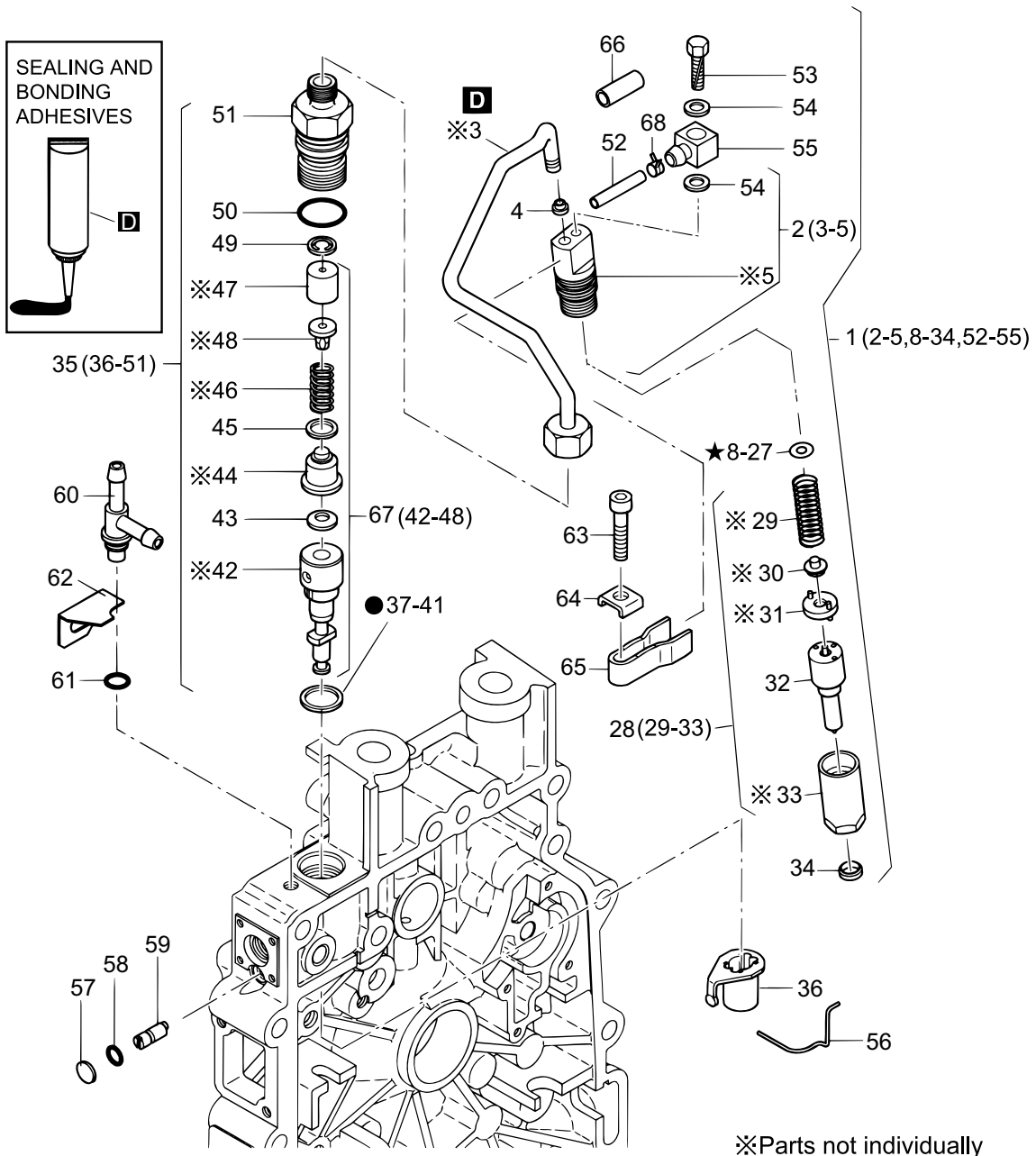


※ Parts not available separately

## ROBIN D1B40T92040 — BLOWER FLYWHEEL & ALT. ASSY.

<u>NO.</u>	<u>PART NO.</u>	<u>PART NAME</u>	<u>QTY.</u>	<u>REMARKS</u>
1	04205800	BLOWER RING	1	
2	50003400	SPRING WASHER A4	6	
3	50327300	ALLEN SCREW M4X20	6	
4	04161502	FLYWHEEL	1	
6	04155101	PLATE	1	
7	50502501	ALLEN SCREW M8X35	6	
8	04151100	GEAR RING	1	
9	01926100	ALTERNATOR ASSY 12V 200W .....	1	INCLUDES ITEMS W/ #
10#		FLYWHEEL COVER .....	1	NOT SOLD SEPARATELY
11#		ALTERNATOR.....	1	NOT SOLD SEPARATELY
12	50081900	SPRING WASHER A5 .....	4	
13	50547000	ALLEN SCREW M5X25	4	
14	50236600	ALLEN SCREW M6X25	5	
15	50081200	SPRING WASHER A6	5	

# ROBIN D1B40T92040 — INJECTION EQUIPMENT ASSY.



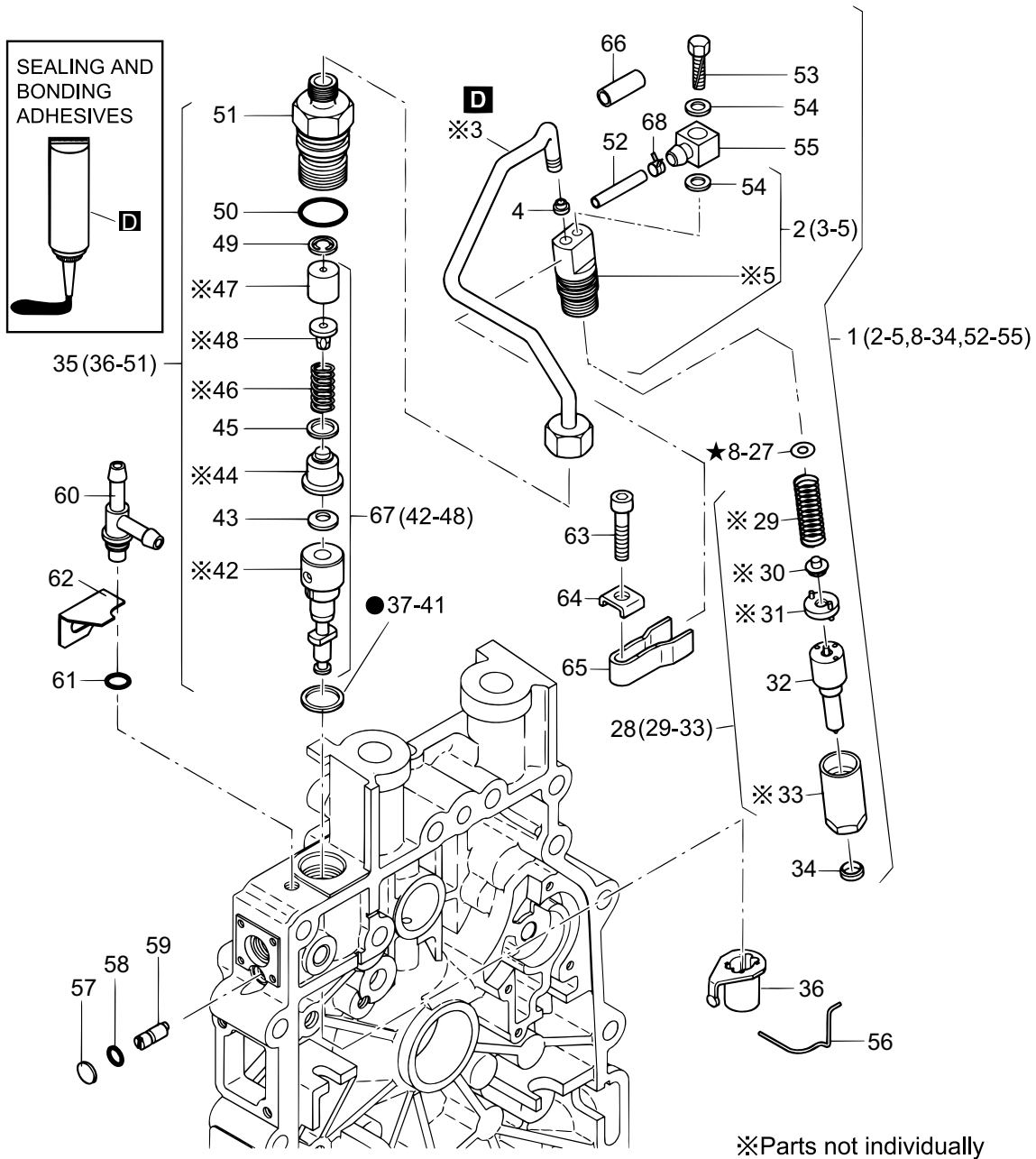
● Use for adjustment	
37	0.2mm
38	0.3mm
39	0.4mm
40	0.5mm
41	0.6mm

★ Use for adjustment					
8	1.00mm	13	1.24mm	18	1.50mm
9	1.04mm	14	1.30mm	19	1.54mm
10	1.10mm	15	1.34mm	20	1.60mm
11	1.14mm	16	1.40mm	21	1.64mm
12	1.20mm	17	1.44mm	22	1.70mm
				23	1.74mm
				24	1.80mm
				25	1.84mm
				26	1.90mm
				27	1.94mm

## ROBIN D1B40T92040 — INJECTION EQUIPMENT ASSY.

<u>NO.</u>	<u>PART NO.</u>	<u>PART NAME</u>	<u>QTY.</u>	<u>REMARKS</u>
D	50223300	LOCTITE221 50ML	1	
1	01389700	INJECTOR CPL. ....	1	INCLUDES ITEMS W/ %
2%	01680600	NOZZLE HOLD.+PIPE .....	1	INCLUDES ITEM W/ &
3%&		PIPE.....	1	NOT SOLD SEPARATELY
4%&	05070601	SEALING CONE	1	
5%&		NIPPLE BODY .....	1	NOT SOLD SEPARATELY
8%	50436400	SHIM 1.0	1	
9%	50436500	SHIM 1.04	1	
10%	50436600	SHIM 1.10	1	
11%	50436700	SHIM 1.14	1	
12%	50436800	SHIM 1.20	1	
13%	50436900	SHIM 1.24	1	
14%	50437000	SHIM 1.30	1	
15%	50437100	SHIM 1.34	1	
16%	50437200	SHIM 1.40	1	
17%	50437300	SHIM 1.44	1	
18%	50437400	SHIM 1.50	1	
19%	50437500	SHIM 1.54	1	
20%	50437600	SHIM 1.60	1	
21%	50437700	SHIM 1.64	1	
22%	50437800	SHIM 1.70	1	
23%	50437900	SHIM 1.74	1	
24%	50438000	SHIM 1.80	1	
25%	50438100	SHIM 1.84	1	
26%	50438200	SHIM 1.90	1	
27%	50438300	SHIM 1.94	1	
28%	01389900	PARTS SET NOZZLE ASSY EPA .....	1	INCLUDES ITEMS W/ \$
29\$%		SPRING .....	1	NOT SOLD SEPARATELY
30\$%		SPRING WASHER.....	1	NOT SOLD SEPARATELY
31\$%		PLATE.....	1	NOT SOLD SEPARATELY
32\$%	50566600	NOZZLE	1	
33\$%		BODY .....	1	NOT SOLD SEPARATELY

# ROBIN D1B40T92040 — INJECTION EQUIP. ASSY. (CONT'D.)



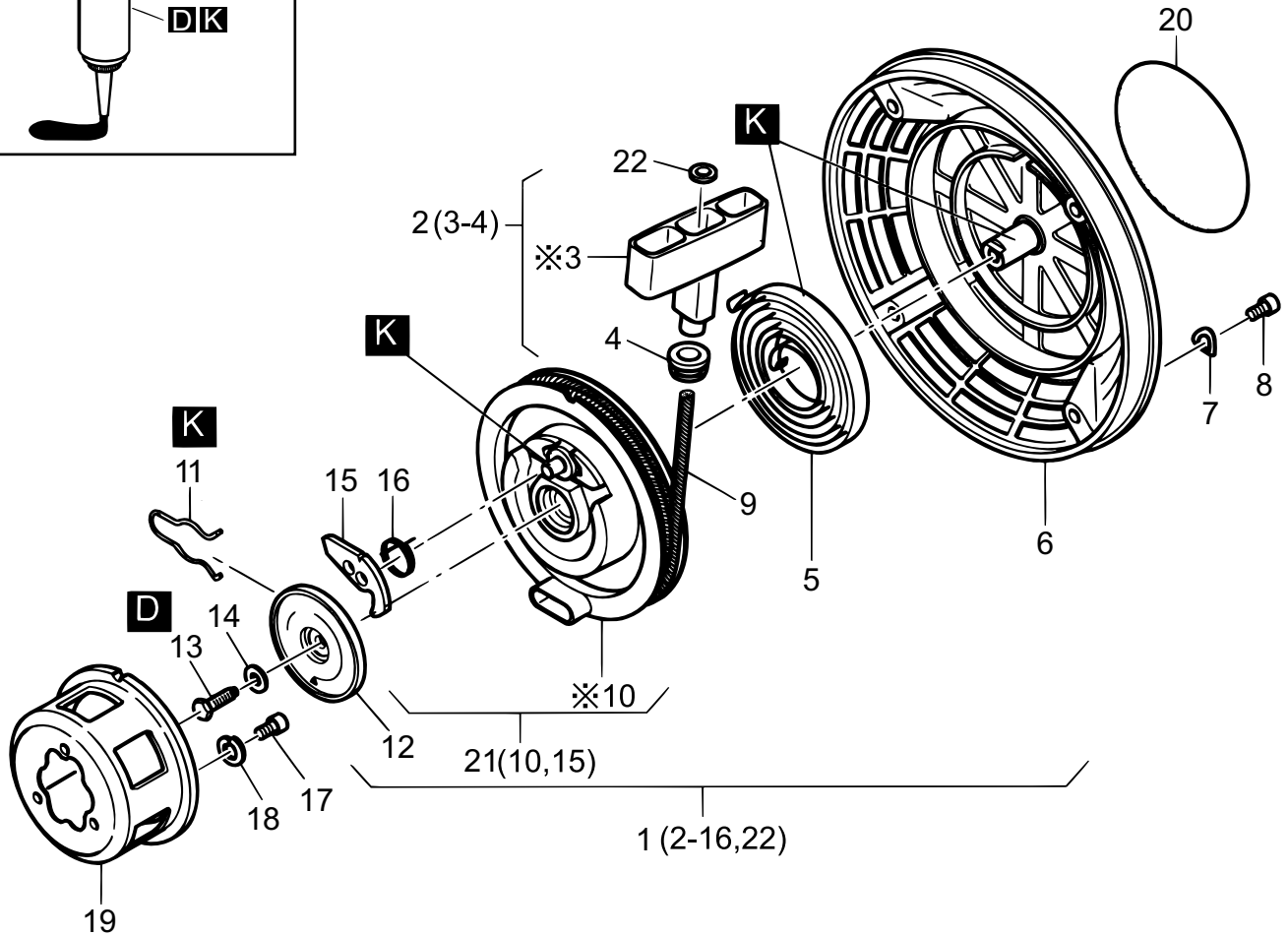
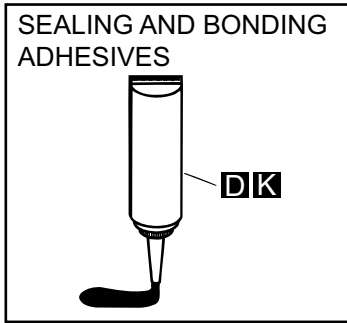
● Use for adjustment	
37	0.2mm
38	0.3mm
39	0.4mm
40	0.5mm
41	0.6mm

★ Use for adjustment					
8	1.00mm	13	1.24mm	18	1.50mm
9	1.04mm	14	1.30mm	19	1.54mm
10	1.10mm	15	1.34mm	20	1.60mm
11	1.14mm	16	1.40mm	21	1.64mm
12	1.20mm	17	1.44mm	22	1.70mm
				23	1.74mm
				24	1.80mm
				25	1.84mm
				26	1.90mm
				27	1.94mm

# ROBIN D1B40T92040 — INJECTION EQUIP. ASSY. (CONT'D.)

<u>NO.</u>	<u>PART NO.</u>	<u>PART NAME</u>	<u>QTY.</u>	<u>REMARKS</u>
34%	05070500	JOINT WASH.F.INJECT	1	
35	01680810	FUEL INJECTOR PUMP CP.....	1	INCLUDES ITEMS W/ @
36@	01330801	CONTROL SLEEVE	1	
37@	04096300	SHIM 14X18X0.2	1	
38@	04096400	SHIM 14X18X0.3	1	
39@	04096500	SHIM 14X18X0.4	1	
40@	04096600	SHIM 14X18X0.5	1	
41@	04096700	SHIM 14X18X0.6	1	
42#@		VALVE, FUEL INJECTOR PUMP.....	1	NOT SOLD SEPARATELY
43#@	04165200	CON.SPR.WASHER 8	1	
44#@		BODY, FUEL INJECTOR PUMP.....	1	NOT SOLD SEPARATELY
45#@	50476900	JOINT WASHER	1	
46#@		SPRING, FUEL INJECTOR PUMP.....	1	NOT SOLD SEPARATELY
47#@		VALVE, FUEL INJECTOR PUMP.....	1	NOT SOLD SEPARATELY
48#@		BODY, FUEL.....	1	NOT SOLD SEPARATELY
49@	05180800	VALVE PLATE	1	
50@	50489200	O-RING 17X2	1	
51@	05181100	DELIV.VALVE HOLDER	1	
52%	05215000	HOSE 2.5X195	1	
53%	50464500	HEXSCREW A M4X16	1	
54%	50110800	JOINT A4X8	2	
55%	05129000	CONNECTING NIPPLE	1	
56	04161800	HOLDING SPRING	1	
57	50476000	DISC 8	1	
58	50330100	O-RING 4X1.2	1	
59	04097710	ECCENTRIC PIN	1	
60	01756800	NIPPLE	1	
61	50154300	O-RING 7.5X10.5X1.5	1	
62	05183100	SUPPORT	1	
63	50323900	ALL.SCR. M6X30	1	
64	05089300	RETAINING YOKE	1	
65	05056700	FORK F. INJECTOR	1	
66	05267900	INSUL.HOSE 120MM	1	
67	01828510	F. INJ.PUMP BODY.....	1	INCLUDES ITEMS W/ #
68	50577900	CLAMP 0.5X6.0XA6.0	1	

# ROBIN D1B40T92040 — RECOIL STARTER ASSY.

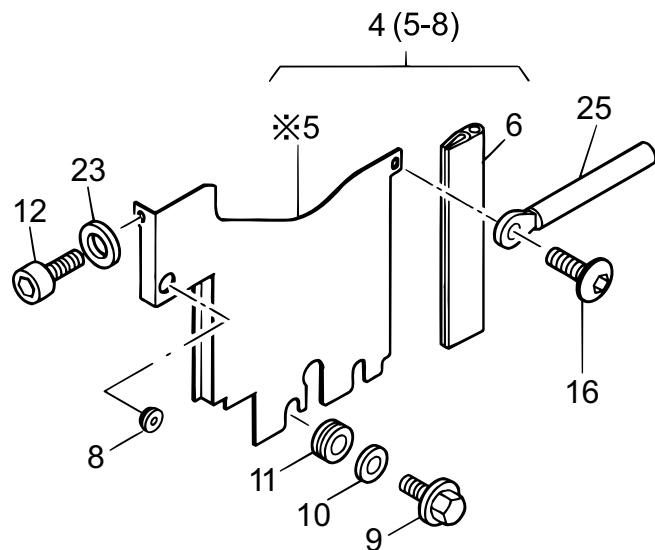
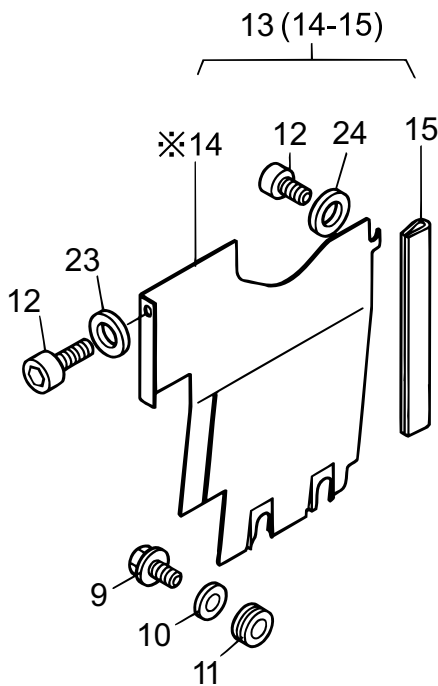
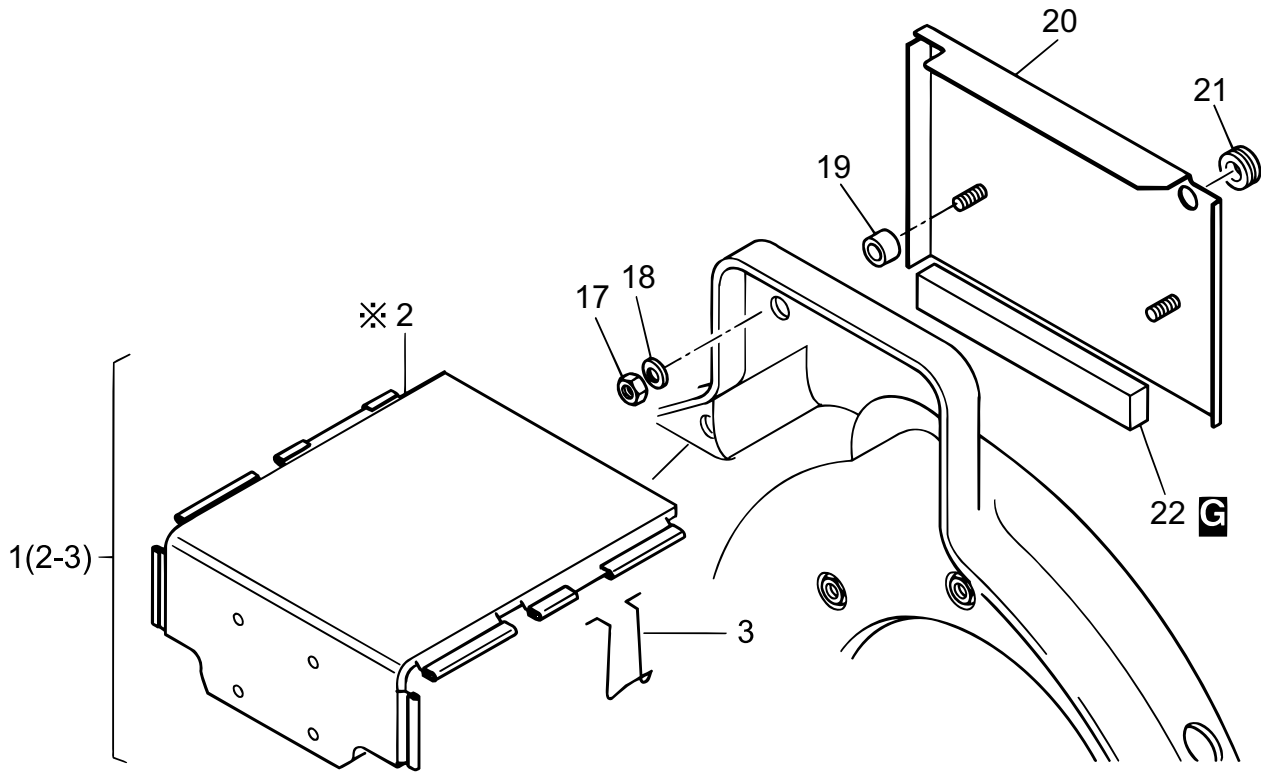


※ Not available separately

## ROBIN D1B40T92040 — RECOIL STARTER ASSY.

<u>NO.</u>	<u>PART NO.</u>	<u>PART NAME</u>	<u>QTY.</u>	<u>REMARKS</u>
D	50223300	LOCTITE221 50ML	1	
K	50342601	HOCHTEMP.FETT 400G	1	
1	01851900	RECOIL-STARTER .....	1	INCLUDES ITEMS W/ %
2%	01497800	HANDLE ASSY. ....	1	INCLUDES ITEMS W/ #
3%#		HANDLE .....	1	NOT SOLD SEPARATELY
4%#	03665200	RUBBER SLEEVE	1	
5%	05045201	RETURN SPRING	1	
6%	01569300	HOUSING F.R.START	1	
7%	50081200	SPRING WASHER A6	4	
8%	50062700	ALLEN SCREW M6X10	4	
9%	05088901	ROPE F.R.START	1	
10%\$		ROPE PULLEY .....	1	NOT SOLD SEPARATELY
11%	05044901	BRAKE SPRING	1	
12%	05045001	BRAKE DISC	1	
13%	50146300	HEX SCREW M6X18	1	
14%	50390701	CON.SPR.WASHER 6	1	
15%\$	05044800	RATCHET	1	
16%	05061300	RETURN SPRING	1	
17	50062700	ALLEN SCREW M6X10	3	
18	50170900	SPRING WASHER 6	3	
19	04155000	DRIVING SLEEVE	1	
20	05298100	STICKER LABEL	1	
21	01548800	ROPE PULLEY .....	1	INCLUDES ITEM W/ \$
22%	50514600	WASHER 5.3	1	

# ROBIN D1B40T92040 — AIR DUCTING (A) ASSY.

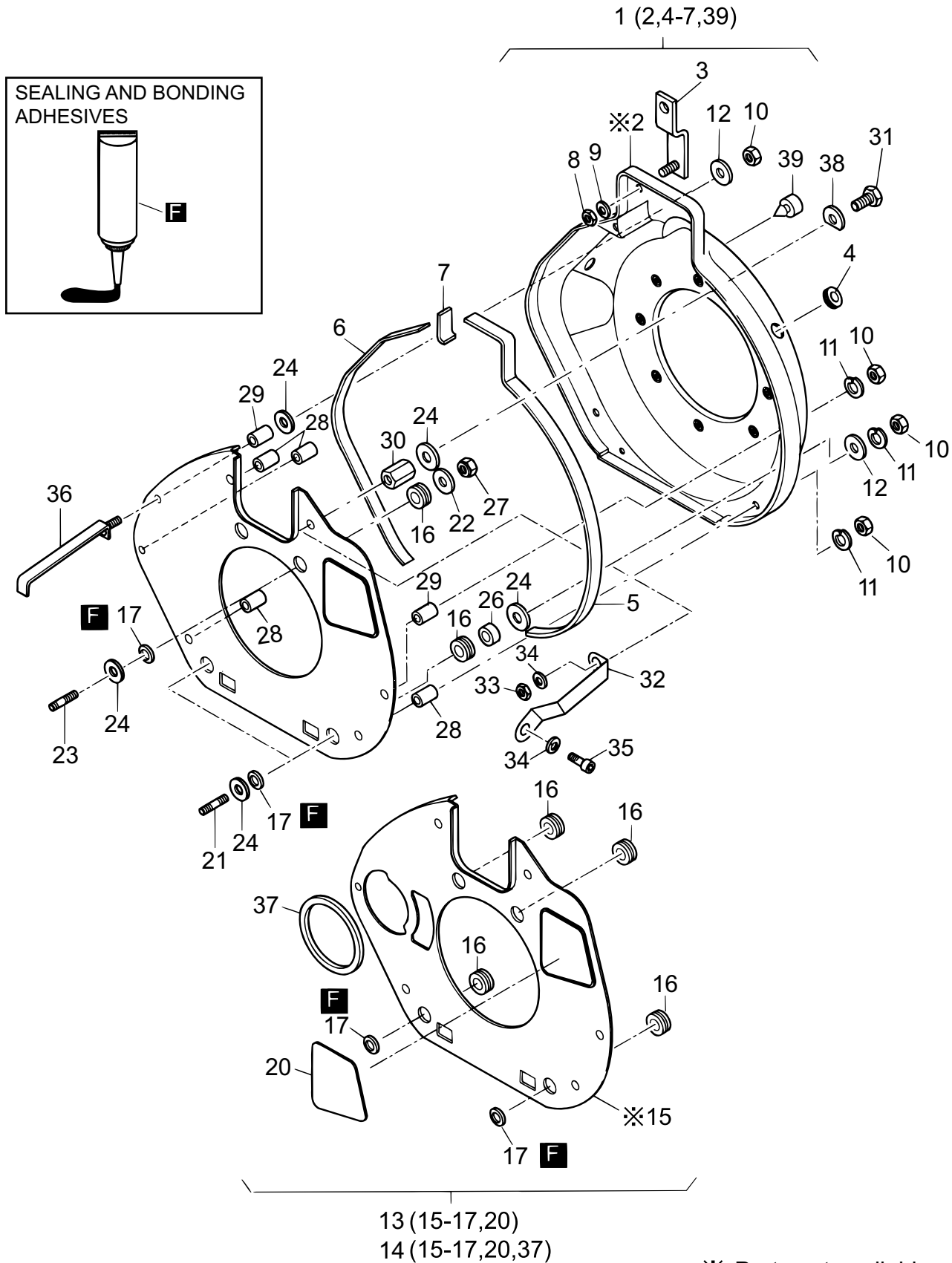


※ Parts not available separately

## ROBIN D1B40T92040 — AIR DUCTING (A) ASSY.

<u>NO.</u>	<u>PART NO.</u>	<u>PART NAME</u>	<u>QTY.</u>	<u>REMARKS</u>
G	50256501	LOCTITE IS407 20G	1	
1	01853100	HOOD ASSY.....	1	INCLUDES ITEM W/ #
2#		HOOD .....	1	NOT SOLD SEPARATELY
3#	05152100	SPRING CLIP	1	
4	01345400	COOLING AIR DUCT ASSY.....	1	INCLUDES ITEM W/ \$
5\$		AIR DUCT .....	1	NOT SOLD SEPARATELY
6\$	04144200	SEALING STRIP119MM	1	
8\$	50334800	RUBBER SLEEVE	1	
9	50445401	FILL.HEAD SCREW M4X10	4	
10	50441600	WASHER 4.3	4	
11	50163801	RUBBER SLEEVE	4	
12	50528100	ALLEN SCREW M6X16	3	
13	01345300	COOLING AIR DUCT ASSY.....	1	INCLUDES ITEMS W/ %
14%		AIR DUCT .....	1	NOT SOLD SEPARATELY
15%	04144200	SEALING STRIP119MM	1	
16	50495000	SCREW M6X12	1	
17	50144400	HEXAGON NUT M6	2	
18	50170900	SPRING WASHER 6	2	
19	03354600	SPACER BUSH	2	
20	01698200	COVER	1	
21	50334800	RUBBER SLEEVE	1	
22	03577200	SEALING STRIP	1	
23	50144500	FLAT WASHER 6.4	2	
24	04060600	WASHER 6.4X16X1.5	1	
25	05001200	CLIP	1	

# ROBIN D1B40T92040 — AIR DUCTING (B) ASSY.

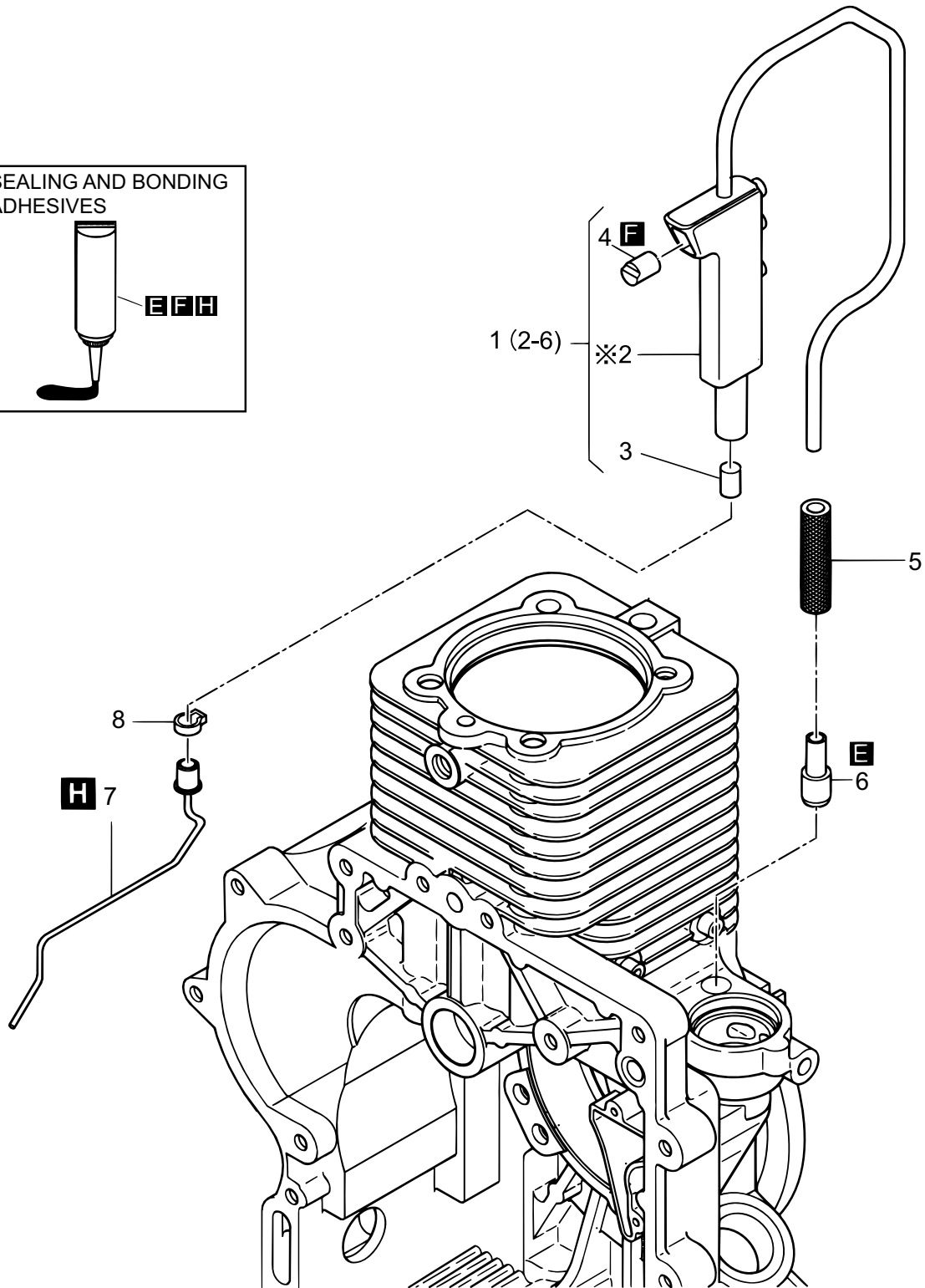


※ Parts not available separately

## ROBIN D1B40T92040 — AIR DUCTING (B) ASSY.

<u>NO.</u>	<u>PART NO.</u>	<u>PART NAME</u>	<u>QTY.</u>	<u>REMARKS</u>
F	50223800	TECHNICOLL8058 0.75KG	1	
1	01831300	BLOWER DUCTING ASSY .....	1	INCLUDES ITEMS W/ #
2#		BLOWER DUCTING .....	1	NOT SOLD SEPARATELY
3	01331300	SUPPORT	2	
4#	50453300	RUBBER SLEEVE	1	
5#	05189400	SEALING STRIP 655MM	1	
6#	05189300	SEALING STRIP	1	
7#	05227000	SEALING STRIP 54MM	1	
8	50144400	HEXAGON NUT M6	2	
9	50170900	SPRING WASHER 6	2	
10	50144400	HEXAGON NUT M6	7	
11	50170900	SPRING WASHER 6	8	
12	50120000	DISC A6.4	3	
13	01661900	PARTING SHEET ASSY .....	1	INCLUDES ITEMS W/ \$
14	01347600	PARTING SHEET ASSY E-ST.NO FT .....	1	INCLUDES ITEMS W/ %
15\$%		PARTING SHEET .....	1	NOT SOLD SEPARATELY
16\$%	01378300	SPACER BUSH	4	
17\$%	03575500	RUBBER SEAL RING	4	
20\$%	04215200	CLOSING COVER	1	
21	50458100	STUD M6 X45	2	
22	50114300	DISC 6.4	2	
23	50464401	STUD M6FO X35	2	
24	04042000	WASHER 6.5X22.5X1	7	
26	05188600	SPACER BUSH 7X12X7	2	
27	50328300	HEXAGON NUT VM6	2	
28	04139000	SPAC.TUBE 6.5X12X18	4	
29	04098400	SPAC.TUBE 7X12X16.3	2	
30	05184000	HEXAGON NUT M6X17	1	
31	50026400	HEXSCREW M6X35	1	
32	01669400	SUPPORT	1	
33	50144400	HEXAGON NUT M6	1	
34	50170900	SPRING WASHER 6	2	
35	50170700	ALLEN SCREW M6X16	1	
36	01683300	SUPPORT	1	
37%	04099500	SEALING RING	1	
38	05140900	WASHER	1	
39#	50392610	RUBBER BUSH	1	

# ROBIN D1B40T92040 — CRANKCASE BREATHING SYS. ASSY.

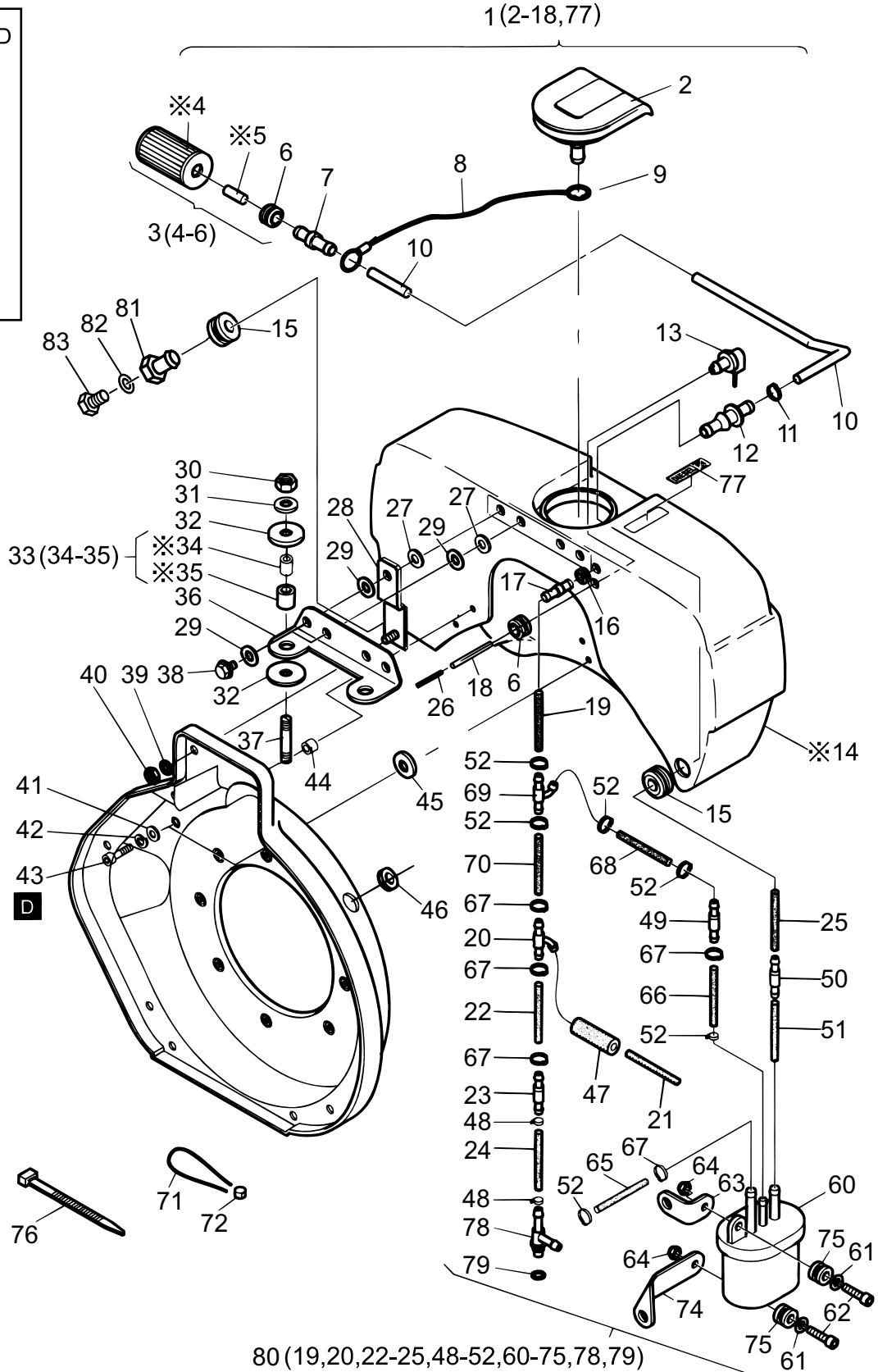
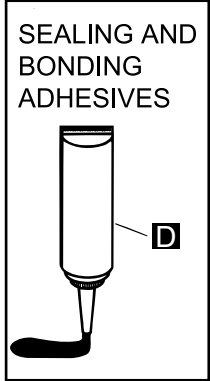


※ Parts not available separately

## **ROBIN D1B40T92040 — CRANKCASE BREATHING SYS. ASSY.**

<u>NO.</u>	<u>PART NO.</u>	<u>PART NAME</u>	<u>QTY.</u>	<u>REMARKS</u>
E	50223400	LOCTITE648 10ML	1	
F	50223800	TECHNICOLL8058 0.75KG	1	
H	50282501	SILICON 30ML	1	
1	01885800	CRANKCASE BREATHER CP .....	1	INCLUDES ITEMS W/ #
2#		OIL SEPARATOR.....	1	NOT SOLD SEPARATELY
3#	05102900	FILTER BREATHING SYSTEM	1	
4#	05098100	PLUG	1	
5#	05197200	FUEL PIPE LW 7X35	1	
6#	05196000	NIPPLE	1	
7	01626900	SUCTION PIPE	1	
8	50456800	CLAMP	1	

# ROBIN D1B40T92040 — FUEL TANK ASSY.

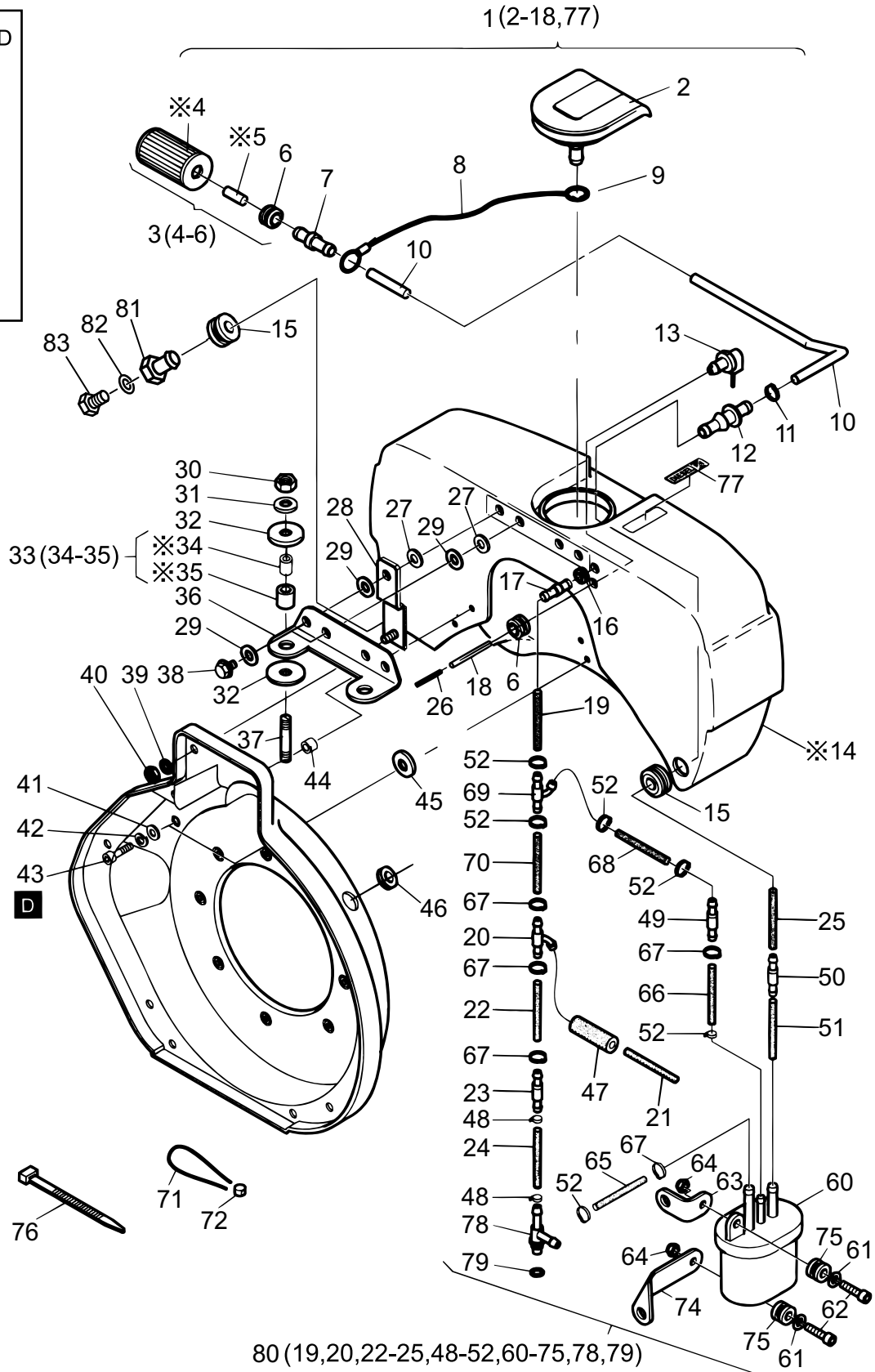
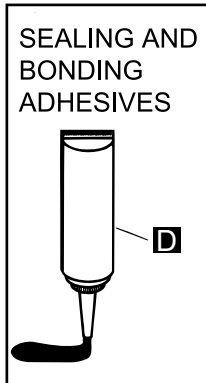


※ Parts not available separately

## ROBIN D1B40T92040 — FUEL TANK ASSY.

<u>NO.</u>	<u>PART NO.</u>	<u>PART NAME</u>	<u>QTY.</u>	<u>REMARKS</u>
D	50223300	LOCTITE221 50ML	1	
1	01853200	FUEL TANK ASSY 5L F.SEP. ....	1	INCLUDES ITEMS W/ #
2#	01535302	CAP F. FUEL TANK	1	
3#	01635210	FUEL FILTER ASSY. ....	1	INCLUDES ITEMS W/ \$
4#\$		FUEL FILTER.....	1	NOT SOLD SEPARATELY
5#\$		SPACER.....	1	NOT SOLD SEPARATELY
6#\$	50440901	RUBBER SLEEVE	2	
7#	05189001	CONNECTING NIPPLE	1	
8#	01628900	ROPE	1	
9#	50500800	CIRCLIP 8	1	
10#	05160700	FUEL HOSE 3.5X340	1	
11#	50399801	CLAMP 11.3	1	
12#	05084010	CONNECTING NIPPLE	1	
13#	01534900	FUEL VENT. VALVE	1	
14#		FUEL TANK.....	1	NOT SOLD SEPARATELY
15#	50440800	RUBBER SLEEVE	2	
16#	05130400	RUBBER SLEEVE	1	
17#	05184400	CONNECTING NIPPLE	1	
18#	05189700	BREATHER HOSE	1	
19%	05289300	FUEL HOSE 5.0X50	1	
20%	05175601	HOSE NIPPLE T	1	
21	05215000	HOSE 2.5X195	1	
22%	03664210	HOSE 5X130	1	
23%	01534601	FUEL VENTG. VALVE	1	
24%	05214800	FUEL HOSE 4.5X40	1	
25%	05284010	FUEL HOSE 3.5X160	1	
26	05190900	TUBE	1	
27	50120000	DISC A 6.4	4	
28	01331300	SUPPORT	2	
29	05110010	DISC 7.1X17.9X2	10	
30	40028400	HEX NUT M 8	2	
31	50148100	FLAT WASHER 8.4	2	
32	05109810	DISC 8.2X22X2	4	
33	01655800	INSULATING TUBE .....	2	INCLUDES ITEMS W/ &
34&		INSULATING SLEEVE.....	1	NOT SOLD SEPARATELY
35&		RUBBER SHELL.....	1	NOT SOLD SEPARATELY
36	05170110	SUPPORT .....	1	
37	50231900	STUD M8X25	2	
38	01557000	HEXSCREW M6X16	4	
39	50170900	SPRING WASHER 6	2	
40	50144000	HEXSCREW M8X40	2	
41	50120000	DISC A6.4	4	
42	50170900	SPRING WASHER 6	4	
43	50170700	ALLEN SCREW M6X16	4	
44	04118800	DISC 6.5X13X4.8	2	
45	04042000	WASHER 6.5X22.5X1	2	

# ROBIN D1B40T92040 — FUEL TANK ASSY. (CONT'D.)

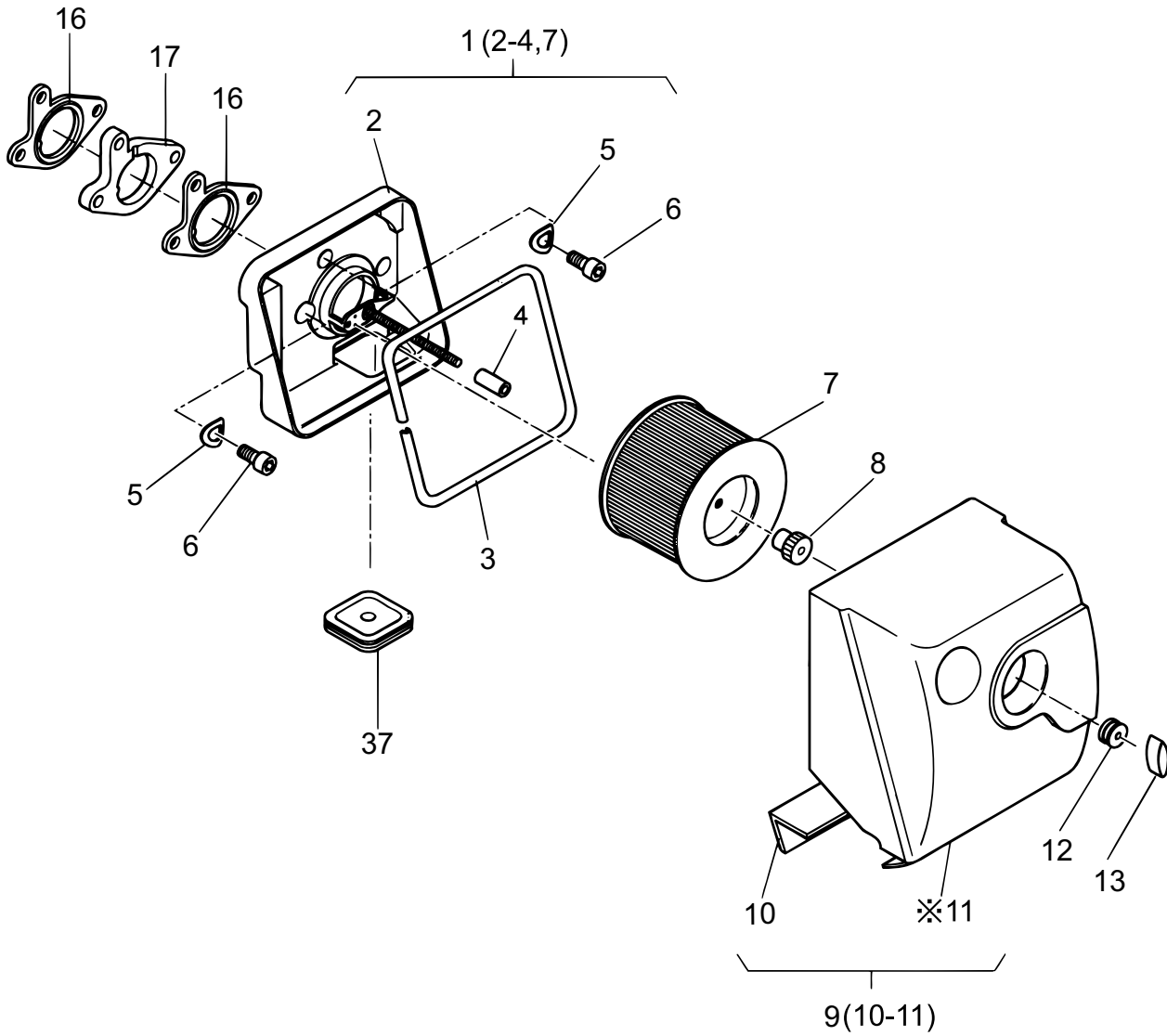


※ Parts not available separately

## ROBIN D1B40T92040 — FUEL TANK ASSY. (CONT'D.)

<u>NO.</u>	<u>PART NO.</u>	<u>PART NAME</u>	<u>QTY.</u>	<u>REMARKS</u>
46	50453300	RUBBER SLEEVE	1	
47	05213010	FUEL HOSE 7X25	1	
48%	50441100	HOSE CLIP	2	
49%	00805502	VENT VALVE	1	
50%	05301200	NIPPLE	1	
51%	03663710	FUEL HOSE 5.0/50	1	
52%	50399801	CLAMP 11.3	6	
60%	50539200	FUEL FILT. EXT. MOUNT	1	
61%	50441600	WASHER 4.3	2	
62%	50446900	ALLEN SCREW M4X16	2	
63%	05279500	SUPPORT	1	
64%	50501600	HEX NUT M 4	2	
65%	03663610	FUEL HOSE 5X330	1	
66%	03663610	FUEL HOSE 5X330	1	
67%	50570900	CLAMP 12.8	5	
68%	05289300	FUEL HOSE 5.0X50	1	
69%	05122701	HOSE NIPPLE T	1	
70%	03663710	FUEL HOSE 5.0/50	1	
71%	40021500	SEAL WIRE 0.5-0.3	1	
72%	40021400	LEAD SEAL 8 MM	1	
74%	05285400	SUPPORT	1	
75%	50556600	RUBBER SLEEVE	2	
76	50358400	STRAP	2	
77#	05235601	STICKER,DIESEL FUEL	1	
78%	01756800	NIPPLE	1	
79%	50154300	O-RING 7.5X10.5X1.5	1	
80	01778520	FUEL FILTER CP. ASSY. ....	1	INCLUDES ITEMS W/ %
81	05235700	CONNECTING NIPPLE	1	
82	50313100	JOINT A 6X10	1	
83	03613600	VENT SCREW M6	1	

# ROBIN D1B40T92040 — AIR FILTER ASSY.

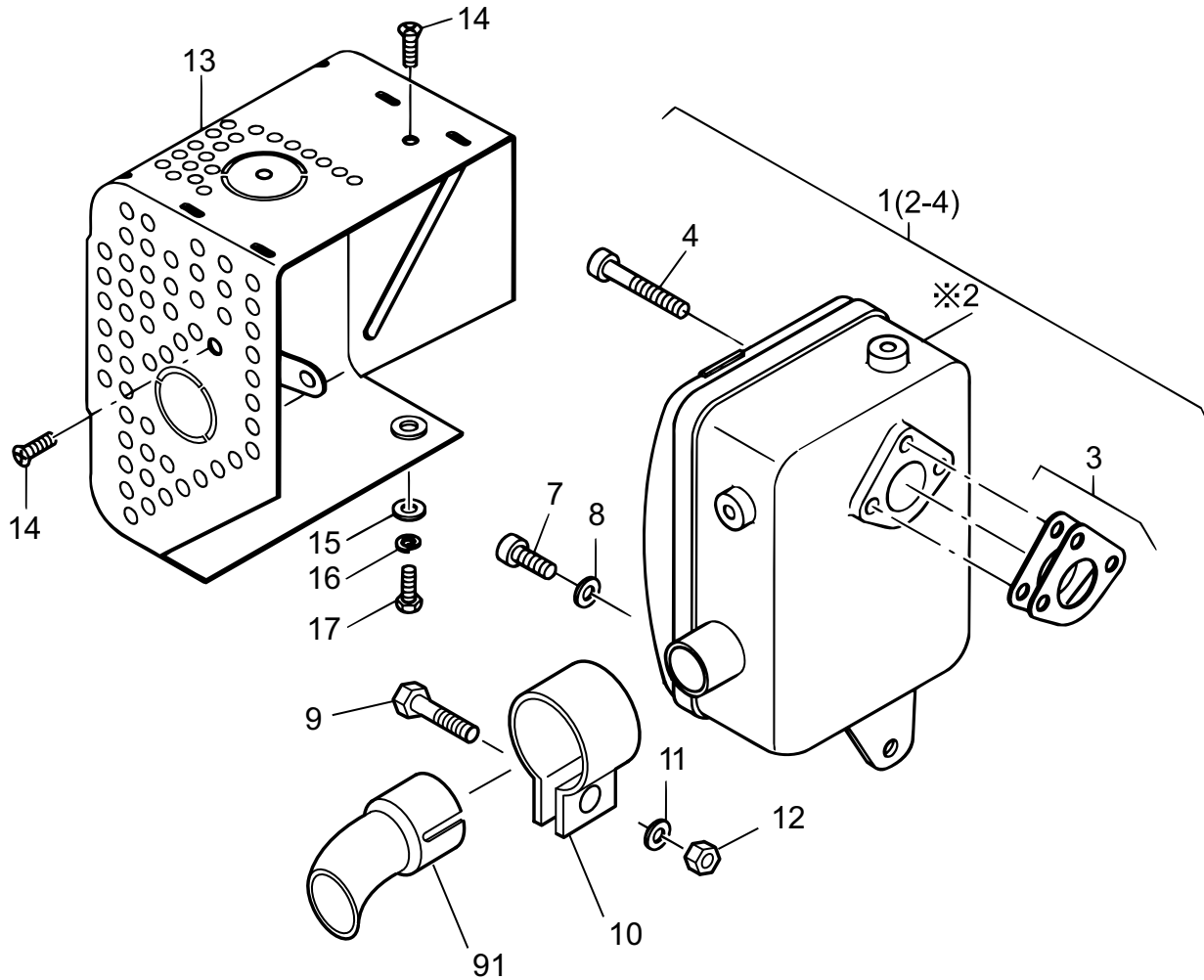


※ Part not available separately

## ROBIN D1B40T92040 — AIR FILTER ASSY.

<u>NO.</u>	<u>PART NO.</u>	<u>PART NAME</u>	<u>QTY.</u>	<u>REMARKS</u>
1	01637410	AIR FILTER HOUSING ASSY.....	1.....	INCLUDES ITEMS W/ #
2#		AIR FILTER HOUSING .....	1.....	NOT AVAILABLE SEPARATELY
3#	05167700	SEALING STRIP 665MM	1	
4#	05166200	RUBBER SHELL 32MM	1	
5	50095100	SPRING WASHER A8	3	
6	50171500	ALLEN SCREW M 8X 25	3	
7#	50484100	AIR FILTER ELEMENT	1	
8	50454300	KNURLED NUT M6	1	
9	01637300	COVER ASSY, AIR FILTER .....	1.....	INCLUDES ITEMS W/ \$
10\$	05158000	SEALING STRIP	1	
11\$		COVER, AIR FILTER .....	1.....	NOT AVAILABLE SEPARATELY
12	50435800	RUBBER SLEEVE	1	
13	50452200	WING NUT M6	1	
16	05149900	GASKET AIR FILTER	2	
17	05149800	INSULATING FLANGE	1	
37	04215300	CLOSING COVER	1	

# ROBIN D1B40T92040 — EXHAUST SLICENCER ASSY.



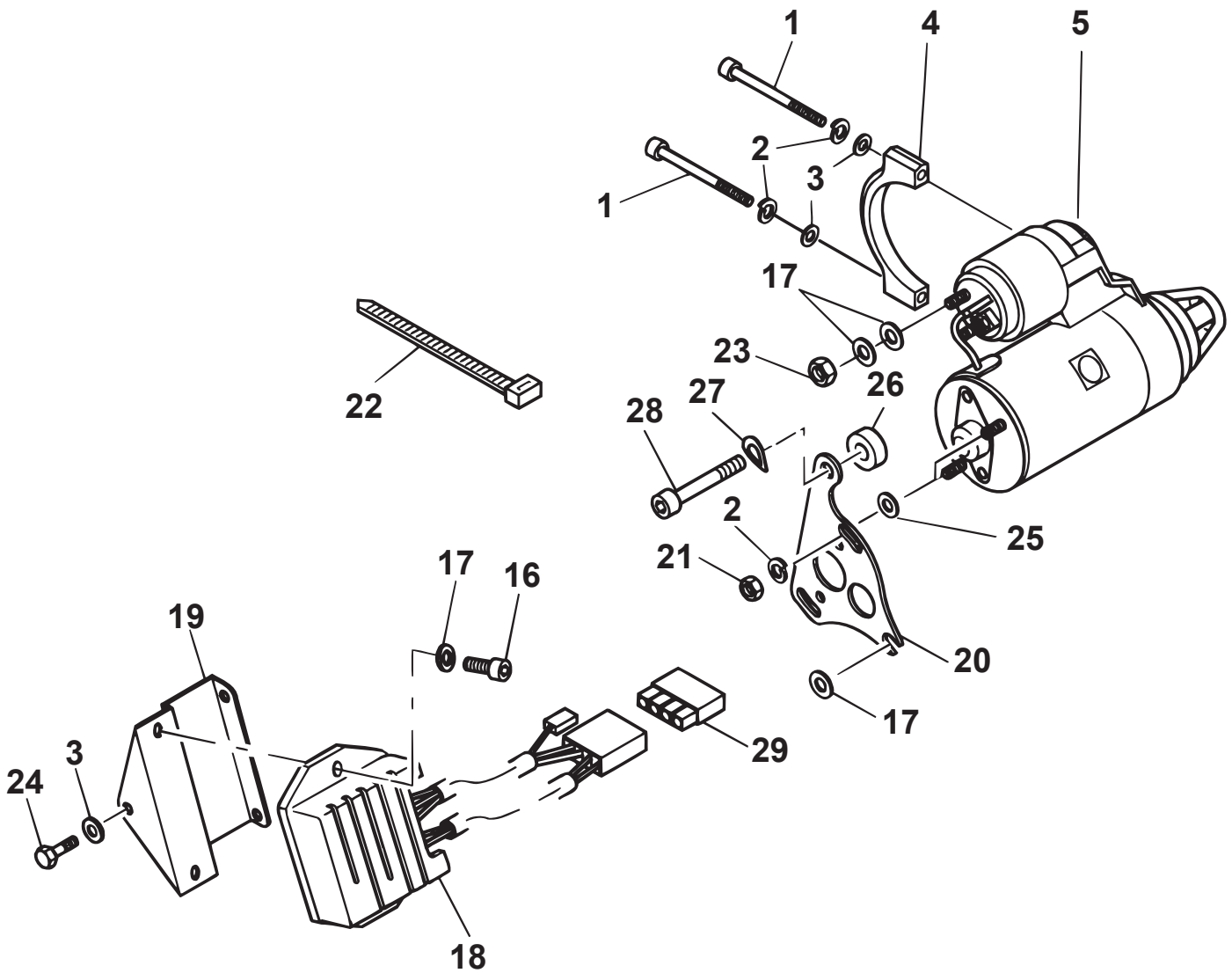
※ PARTS NOT AVAILABLE SEPARATELY

## ROBIN D1B40T92040 — EXHAUST SILENCER ASSY.

---

<u>NO.</u>	<u>PART NO.</u>	<u>PART NAME</u>	<u>QTY.</u>	<u>REMARKS</u>
1	01872500	EXHAUST SILENCER ASSY.....	1.....	INCLUDES ITEMS W/ #
2#		EXHAUST SILENCER.....	1.....	NOT SOLD SEPARATELY
3#	01732701	GASKET MUFFLER	1	
4#	50403900	ALLEN SCREW M8X25	3	
7	50474200	ALLEN SCREW M6X16	1	
8	50114300	DISC 6.4	1	
9	00380000	HEX SCREW M8X50	1	
10	03740900	PIPE CLIP	1	
11	50148100	FLAT WASHER 8.4	1	
12	40028400	HEX NUT M8	1	
13	01629000	PROTECT.GUARD EXHAUST	1	
14	50422500	CTR. SUNK SCREW M6X12	2	
15	50114300	DISC 6.4	1	
16	50170900	SPRING WASHER 6	1	
17	50177100	HEX SCREW M6X16	1	
91	465459660	EXHAUST PIPE	1	

# ROBIN D1B40T92040 — STARTER/REGULATOR ASSY.

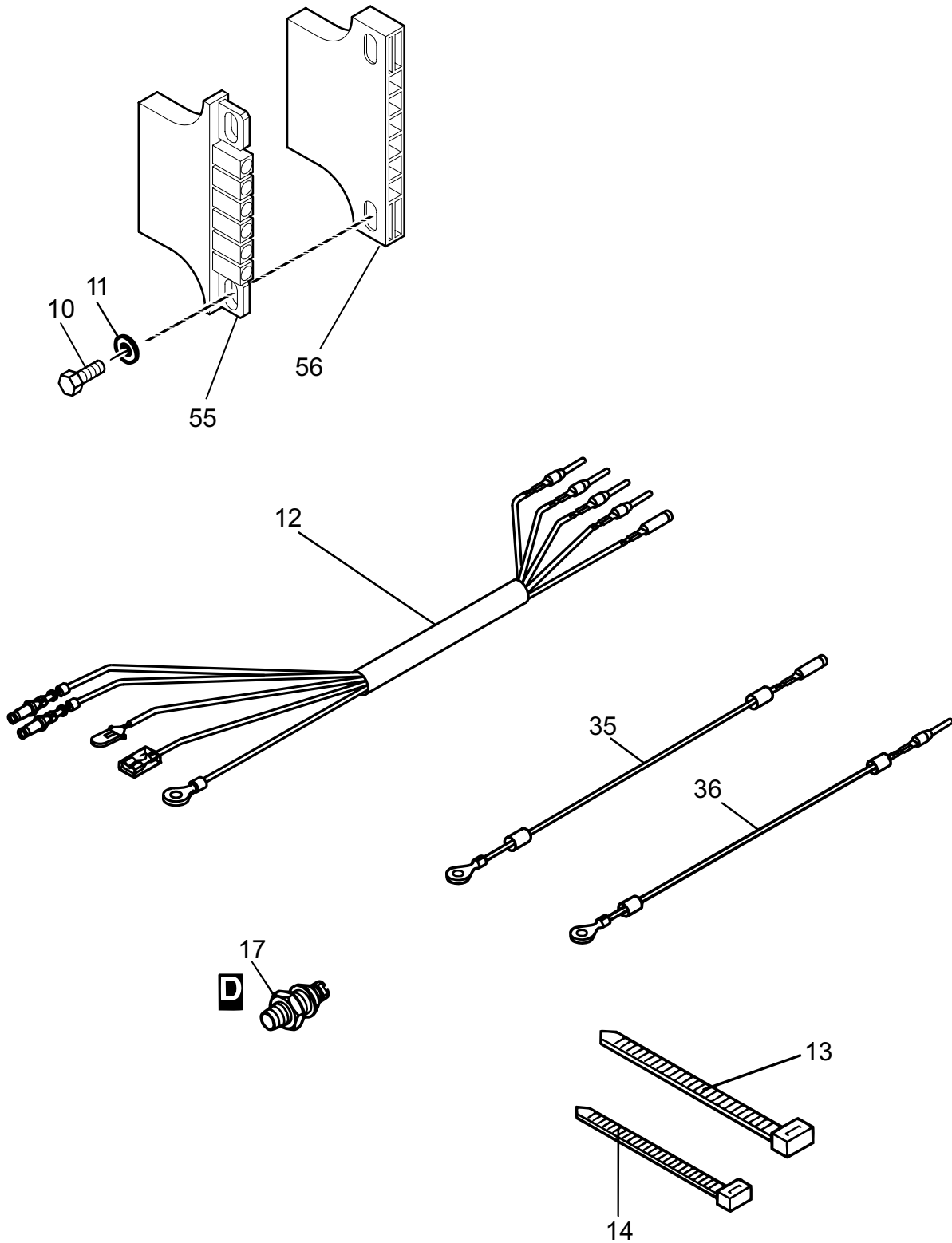


## **ROBIN D1B40T92040 — STARTER/REGULATOR ASSY.**

---

<u>NO.</u>	<u>PART NO.</u>	<u>PART NAME</u>	<u>QTY.</u>	<u>REMARKS</u>
1	50402300	ALLEN SCREW M6X70	2	
2	50170900	SPRING WASHER 6	4	
3	50144500	FLAT WASHER 6.4	3	
4	04099100	RETAINING BRACKET	1	
5	50483500	STARTER12V 1.0KW	1	
16	50165400	ALLEN SCREW M8X16	2	
17	50148100	FLAT WASHER 8.4	6	
18	01983800	TENS. REGULATOR 12V	1	
19	01663000	SUPPORT	1	
20	05182912	SUPPORT	1	
21	50144400	HEXAGON NUT M6	2	
22	50439500	STRAP 2.6X200	3	
23	50344700	HEXAGON NUT M8	1	
24	50025400	HEX SCREW M6X10	1	
25	50120000	DISC A6.4	2	
26	03714100	SPACER BUSH	1	
27	50095100	SPRING WASHER A8	1	
28	50392900	ALLEN SCREW M8X50	1	
29	50402100	PLUG SLEEVE HOUSING	1	

# ROBIN D1B40T92040 — ELECTRIC EQUIPMENT WIRING ASSY.



## **ROBIN D1B40T92040 — ELECTRIC EQUIPMENT WIRING ASSY.**

---

<u>NO.</u>	<u>PART NO.</u>	<u>PART NAME</u>	<u>QTY.</u>	<u>REMARKS</u>
10	001220620	BOLT 6X20 T	2	
11	50144500	FLAT WASHER 6.4	2	
12	01667001	WIRE HARNESS	1	
13	50167400	STRAP	1	
14	50439500	STRAP 2.6X200	4	
17	50469100	OIL PRESSURE SWITCH	1	
35	01574300	ELECTRIC WIRE/350MM	1	
36	01715300	ELECTRIC WIRE/430MM	1	
55	50373700	PLUG SLEEVE HOUSING	1	
56	50373600	PIN TERM.HOUS.6WAY	1	



## ROBIN D1B40T92040 — SPEED CONTROL ASSY.

---

<u>NO.</u>	<u>PART NO.</u>	<u>PART NAME</u>	<u>QTY.</u>	<u>REMARKS</u>
1	05141200	ADJUSTING SCREW	1	
2	020406040	NUT M6, H=4.2	2	
5	50511900	ALLEN SCREW M 5X30	1	
6	50216300	WASHER 5.3	2	
7	05117700	LEVER	1	
8	50094300	HEXAGON NUT M5	1	
9	50484600	PRESSURE SPRING	1	
10	50483100	CABLE CLAMP 2.2MM	2	
11	50025000	HEX SCREW M 4X10	1	
12	50342400	ALLEN SCREW M 8X50	1	
13	50148100	FLAT WASHER 8.4	1	
14	05189600	PLATE	1	
15	03599600	SPACER BUSH	1	
16	50328300	HEXAGON NUT VM6	1	
17	50208500	SPRING WASHER 8	1	
19	50423900	CTR.SUNK SCREW M6X20	1	
20	50380800	CTR.SUNK SCREW M6X10	1	
21	03292900	SPACER TUBE	1	
22	05165000	GUIDE BUSH	1	
50	05179100	SPRING	1	
51	05179000	BUSH	1	
52	50400600	GRUB SCREW M5X10	1	