



# HOMEOWNER'S CARE AND OPERATION INSTRUCTIONS

RETAIN THESE INSTRUCTIONS FOR FUTURE REFERENCE

## DIRECT VENT SSDV-35/40 SERIES

DIRECT-VENT GAS FIREPLACE HEATERS

P/N 725,033M REV. D 05/2006

### MODELS

#### Millivolt Models

SSDVT-3530CNM  
SSDVR-3530CNM  
SSDVT-4035CNM  
SSDVR-4035CNM

#### Electronic Models

SSDVT-3530CNE  
SSDVR-3530CNE  
SSDVT-4035CNE  
SSDVR-4035CNE

A French manual is available upon request. Order P/N 725,033CF

Ce manuel d'installation est disponible en français, simplement en faire la demande. Numéro de la pièce 725,033CF

### ⚠ WARNINGS



- **Hot! Do not touch!** The glass and surfaces of this appliance will be hot during operation and will retain heat for a while after shutting off the appliance. Severe burns may result.
- Carefully supervise children in the same room as appliance.

- If small children are present in the home, it is recommended that this appliance be fitted with a screen door or screen panel kit. See *Page 15* for ordering information.

**WARNING: IF THE INFORMATION IN THIS MANUAL IS NOT FOLLOWED EXACTLY, A FIRE OR EXPLOSION MAY RESULT CAUSING PROPERTY DAMAGE, PERSONAL INJURY OR LOSS OF LIFE.**

**FOR YOUR SAFETY:** Do not store or use gasoline or other flammables or liquids in the vicinity of this or any other appliance.

**FOR YOUR SAFETY:** What to do if you smell gas:

- **DO NOT** light any appliance.
- **DO NOT** touch any electrical switches.
- Do not use any phone in your building.
- Immediately call your gas supplier from a neighbor's phone. Follow your gas suppliers instructions.
- If your gas supplier cannot be reached, call the fire department.

Installation and service must be performed by a qualified installer, service agency or the gas supplier.

**AVERTISSEMENT: ASSUREZ-VOUS DE BIEN SUIVRE LES INSTRUCTIONS DONNÉ DANS CETTE NOTICE POUR RÉDUIRE AU MINIMUM LE RISQUE D'INCENDIE OU POUR ÉVITER TOUT DOMMAGE MATÉRIEL, TOUTE BLESSURE OU LA MORT.**

**POUR VOTRE SÉCURITÉ:** Ne pas entreposer ni utiliser d'essence ni d'autre vapeurs ou liquides inflammables dans le voisinage de cet appareil ou de tout autre appareil.

**POUR VOTRE SÉCURITÉ:** Que faire si vous sentez une odeur de gaz:

- Ne pas tenter d'allumer d'appareil.
- Ne touchez à aucun interrupteur. Ne pas vous servir des téléphones se trouvant dans le bâtiment où vous vous trouvez.
- Evacuez la pièce, le bâtiment ou la zone.
- Appelez immédiatement votre fournisseur de gaz depuis un voisin. Suivez les instructions du fournisseur.
- Si vous ne pouvez rejoindre le fournisseur de gaz, appelez le service des incendies.

L'installation et service doit être exécuté par un qualifié installateur, agence de service ou le fournisseur de gaz.

Tested & Listed By



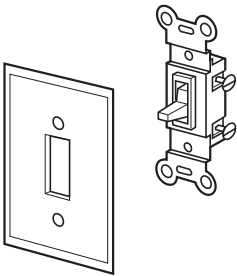
Beaverton Oregon USA

OTL Report No. 116-F-29-5

OMNI-Test Laboratories, Inc.

## ACCESSORY COMPONENTS

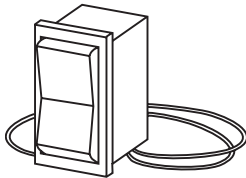
| Product Reference Information |               |                 |                               |
|-------------------------------|---------------|-----------------|-------------------------------|
| Cat. No.                      | Model         | Ship. Wt. (lbs) | Ship. Vol. (inches)           |
| H3325                         | SSDVT-3530CNM | 115 lbs         | 37W x 17D x 36H (13.1 cu.ft.) |
| H3326                         | SSDVT-3530CNE | 115 lbs         | 37W x 17D x 36H (13.1 cu.ft.) |
| H3327                         | SSDVR-3530CNM | 115 lbs         | 37W x 17D x 36H (13.1 cu.ft.) |
| H3328                         | SSDVR-3530CNE | 115 lbs         | 37W x 17D x 36H (13.1 cu.ft.) |
| H3329                         | SSDVT-4035CNM | 125 lbs         | 42W x 17D x 41H (16.9 cu.ft.) |
| H3330                         | SSDVT-4035CNE | 125 lbs         | 42W x 17D x 41H (16.9 cu.ft.) |
| H3331                         | SSDVR-4035CNM | 125 lbs         | 42W x 17D x 41H (16.9 cu.ft.) |
| H3332                         | SSDVR-4035CNE | 125 lbs         | 42W x 17D x 41H (16.9 cu.ft.) |



| White Wall Switch Kit |           |                        |
|-----------------------|-----------|------------------------|
| Cat. No.              | Model No. | Description            |
| 85L87                 | FWSK      | OFF/ON Wall Switch Kit |

### OFF/ON Wall Switch Kit

The OFF/ON wall switch kit may be used to control the operation of the fireplace burner. Install the OFF/ON wall switch in a convenient location near the fireplace.



| Rocker Switch Kit |           |                   |
|-------------------|-----------|-------------------|
| Cat. No.          | Model No. | Description       |
| 80L41             | FRS       | Rocker Switch Kit |

(ref. Form # 750,037M)

### Unit-Mountable Rocker Switch

This rocker switch kit can be installed directly in the gas valve mounting bracket (millivolt gas valve equipped fireplaces) to provide On/Off operation in lieu of a wall switch.



| Remote Control Kit, Standard |           |                                  |
|------------------------------|-----------|----------------------------------|
| Cat. No.                     | Model No. | Description                      |
| H0249                        | RCL       | Remote Control System (Standard) |

(ref. Form # 750,127M)

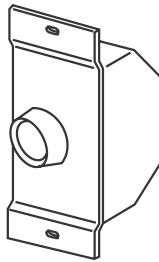
### Standard Remote Control System

The Model RCL (Standard) Remote Control System, features a simplistic OFF/ON control function for the fireplace. This model includes a hand-held transmitter, a remote receiver with wall-mount cover plate and all hardware required to install the unit. The remote receiver can be wall or hearth mounted.

The transmitter has ON and OFF functions that are activated by pressing either button on the face of the transmitter. When a button on the transmitter is pressed, a signal light illuminates briefly to verify that a signal has been sent.

The Model RCL is designed to operate with all millivolt ignition systems, as well as electronic ignition systems. It may be installed with use for either natural gas or propane gas appliances. The RCL offers ease of installation and allows you to execute on-off commands to the fireplace effortlessly with one simple motion.

The Model RCL comes complete with detailed operating instructions.



| Variable Speed Wall Switch |           |                            |
|----------------------------|-----------|----------------------------|
| Cat. No.                   | Model No. | Description                |
| 045571H                    | VSWS      | Variable Speed Wall Switch |

### Variable Speed Wall Switch

Provides variable speed control if optional blower kit is purchased.



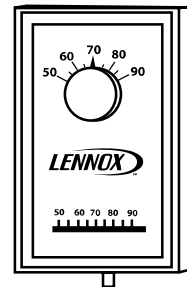
| Remote Control Kit, Deluxe |           |                                |
|----------------------------|-----------|--------------------------------|
| Cat. No.                   | Model No. | Description                    |
| H0251                      | RCL-STAT  | Remote Control System (Deluxe) |

(ref. Form # 750,129M)

### Deluxe Remote Control System

The Model RCL-T (Deluxe) Remote Control System has all of the features of the standard system along with an added easy to read LCD screen which presents access to many enhancements, including; battery power level indicator, timer, mode of operation, thermostatic display including room temperature in either metric or English units, flame indicator and clock. Fully programmable, the Model RCL-T allows for virtual command over nearly all operational and temperature variables, using the hand held remote control transmitter.

The Model RCL-T (Deluxe) remote control system is installed in the same manner as the standard system, may be operated with electronic and millivolt systems with either natural gas or propane gas. The RCL-T comes complete with detailed operating instructions.



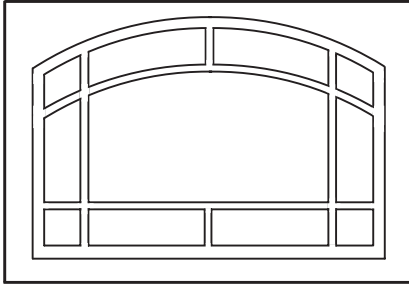
| Wall Thermostat, Millivolt |           |                            |
|----------------------------|-----------|----------------------------|
| Cat. No.                   | Model No. | Description                |
| 89L36                      | WTK       | Wall Thermostat Kit, White |

### Wall Thermostat

The wall thermostat kit provides temperature control for optimum comfort.

NOTE: DIAGRAMS & ILLUSTRATIONS NOT TO SCALE.

## ACCESSORY COMPONENTS

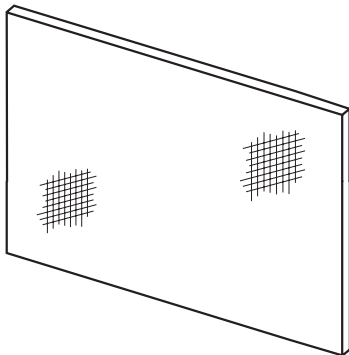


### Decorative Arch Screen Panel Kit

This easy to install optional screen installs over the standard glass enclosure panel to provide protection from inadvertent direct contact with the hot glass surface. These screen panels cannot be used in conjunction with the arch door kits or door frame kits.

| Decorative Arch Screen Panel Kit |           |  |
|----------------------------------|-----------|--|
| Cat. No.                         | Model     | Description                                |
| H3593                            | DASPK35TI | 35" Decorative Arch Screen Panel,SSDV-3530 |
| H3594                            | DASPK40TI | 40" Decorative Arch Screen Panel,SSDV-4035 |

(ref. Form # 750,199M)



| Screen Panel Kits |           |                   |
|-------------------|-----------|-------------------|
| Cat. No.          | Model No. | Models Where Used |
| 26M48             | HG35M     | SSDV-3530         |
| 26M49             | HG40M     | SSDV-4035         |

(ref. Form # 750,101M)

### Screen Panel Kit

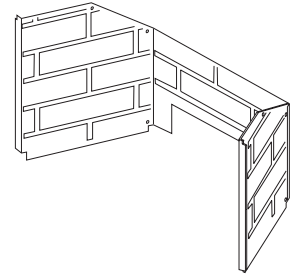
This easy to install optional screen installs over the standard glass enclosure panel to provide protection from inadvertent direct contact with the hot glass surface. These screen panels cannot be used in conjunction with the arch door kits or door frame kits.

| Interior Brick Liner Kits |        |          |        |                   |
|---------------------------|--------|----------|--------|-------------------|
| Rear Vent                 |        | Top Vent |        | Models Where Used |
| Cat. #                    | Model  | Cat. #   | Model  |                   |
| 80L03                     | BLK-5R | 80L01    | BLK-5T | SSDV-3530         |
| 80L04                     | BLK-6R | 80L02    | BLK-6T | SSDV-4035         |

(ref. Form #750,023M)

### Interior Brick Liner Kits

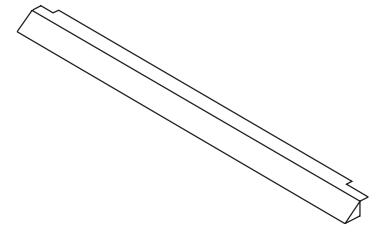
The brickade liner kits include tan stamped sheetmetal panels for the rear and side walls of the firebox. The panels have brick-like features in relief. These kits can be retrofitted into previously installed appliances.



| Eyebrow Hood Kits |        |                   |        |                   |
|-------------------|--------|-------------------|--------|-------------------|
| Polished Brass    |        | Brushed Stainless |        | Models Where Used |
| Cat. #            | Model  | Cat. #            | Model  |                   |
| 96K67             | EB35PB | 88L49             | EB35BS | SSDV-3530         |
| 96K68             | EB40PB | 88L50             | EB40BS | SSDV-4035         |

\* These hood kits replace the standard hood that comes with these fireplaces.

(ref. Form #504,142M)

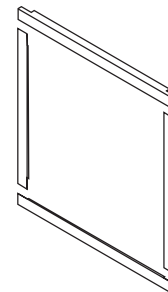


### Polished Brass & Brushed Stainless Hood Kits

Attractive hoods are available in two styles. These hoods are designed to be fitted to the glass viewing sides of the appliance. In addition to providing an aesthetically pleasing appearance to your appliance installation, the hood reduces heat effects to decorative mantles and finish materials located above the fireplace opening. The hood kit replaces the standard hood that comes with these appliances and snaps into place. These kits can be retrofitted to previously installed appliances.

| 4 Piece Door Trim Kits |          |                   |          |                   |
|------------------------|----------|-------------------|----------|-------------------|
| Polished Brass         |          | Brushed Stainless |          | Models Where Used |
| Cat. #                 | Model    | Cat. #            | Model    |                   |
| 26M82                  | 4DFK35PB | 26M85             | 4DFK35BS | SSDV-3530         |
| 26M83                  | 4DFK40PB | 26M86             | 4DFK40BS | SSDV-4035         |

(ref. Form # 750,098M)



### Door Frame Kits

A decorative door frame kit is available for use with these appliances. It is designed to attach directly to the front face of the appliance at the four edges of the glass enclosure panel resulting in the appearance of a picture frame.

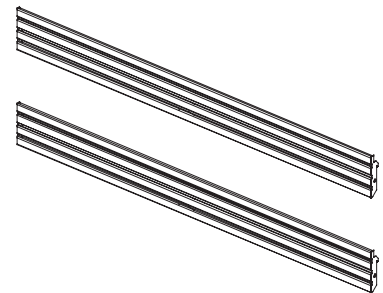
| * Assembled 8-Piece Louver Kits |         |                   |          |                   |
|---------------------------------|---------|-------------------|----------|-------------------|
| Polished Brass                  |         | Brushed Stainless |          | Models Where Used |
| Cat. #                          | Model   | Cat. #            | Model    |                   |
| H1524                           | LK-500B | H1525             | LK-500BS | SSDV-3530         |
| H1526                           | LK-600B | H1527             | LK-600BS | SSDV-4035         |

(ref. Form # 750,166M)

\* Superior Nameplate Logo, 56L93, is not included.

### Polished Brass & Brushed Stainless Louvers Kits

These kits include a top 4-louver assembly and a bottom 4-louver assembly. They provide a touch of elegance. These kits can be retrofitted to previously installed appliances.



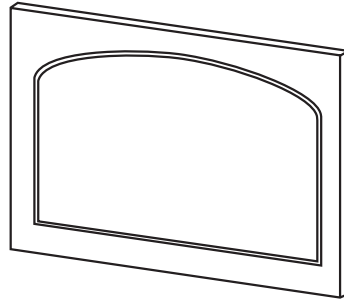
NOTE: DIAGRAMS & ILLUSTRATIONS NOT TO SCALE.

## ACCESSORY COMPONENTS

| Arch Door Kit - Polished Brass |           |                 |
|--------------------------------|-----------|-----------------|
| Cat. No.                       | Model     | Fireplace Model |
| 26M43                          | ADK35CMPB | SSDV-3530       |
| 81L35                          | ADK40CPB  | SSDV-4035       |

| Arch Door Kit - Brushed Stainless Steel |           |                 |
|---|-----------|-----------------|
| Cat. No.                                | Model     | Fireplace Model |
| 26M44                                   | ADK35CMBS | SSDV-3530       |
| 98L69                                   | ADK40CBS  | SSDV-4035       |

(ref. Form # 750,021M)

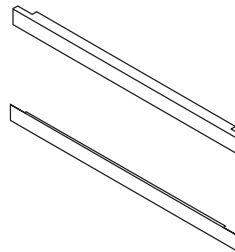


### Arch Door Kits

The arch door kits are easy to install and do not require hardware to attach them to the standard door frame. The decorative arch kits can not be used in conjunction with the screen panel kit.

| 2- Piece Door Frame Kits |          |                   |          |                   |
|--------------------------|----------|-------------------|----------|-------------------|
| Polished Brass           |          | Brushed Stainless |          | Models Where Used |
| Cat. #                   | Model    | Cat. #            | Model    |                   |
| 26M88                    | 2DFK35PB | 26M91             | 2DFK35BS | SSDV-3530         |
| 26M89                    | 2DFK40PB | 26M92             | 2DFK40BS | SSDV-4035         |

(ref. Form # 750,098M)



### 2-Piece Door Trim Kits

These kits are designed to attach directly to the front face of the fireplace at the top and bottom edges of the glass enclosure panel.

| Touch-Up Paint Kits<br>(all models) |           |                           |
|-------------------------------------|-----------|---------------------------|
| Cat. No.                            | Model No. | Description               |
| 90L74                               | TPK-C     | Touch-Up Paint (Charcoal) |
| 98K67                               | TPK-T     | Touch-Up Paint (Tan)      |

(TPK-C ref. Form # 504,216M)

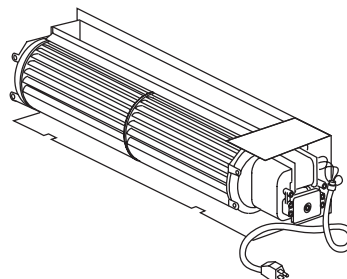


### Touch-Up Paint Kit

Repair of minor scratches and discoloration of the appliance charcoal painted surfaces may be accomplished with the touch-up paint kit.

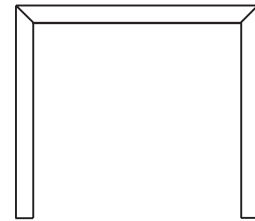
| Forced Air Blower Kits |            |   |
|------------------------|------------|---|
| Cat. No.               | Model No.  | Description   |
| 80L84                  | FBK-100    | Blower, Standard (single speed)                             |
| 80L85                  | FBK-200    | Blower, Variable Speed (w/wall-mounted switch)              |
| 80L86                  | FBK-250    | Blower, Variable Speed (w/unit-mounted switch)              |
| 94L89                  | FBK-100-36 | Blower, Standard, 36 Pack                                   |
| 94L90                  | FBK-200-36 | Blower Kit - Variable Speed with Wall Switch 36 Pack        |
| H0543                  | FBK-250-36 | Blower Kit - Variable Speed with Thermo Snap Switch 36 Pack |

(ref. Form # 750,028M & 750,029M)



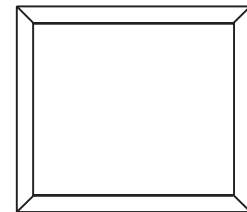
### Forced Air Kit

The FBK-100 blower provides constant velocity forced air circulation. The FBK-200 assembly with variable speed, wall-mountable switch provides variable speed forced air circulation. The FBK-250 assembly with variable speed unit-mountable switch, also provides variable speed forced air circulation.



| 3 Piece Trim Kit |           |                             |
|------------------|-----------|-----------------------------|
| Cat. No.         | Model No. | Description                 |
| 96K21            | TK35PB3   | 35" Polished Brass, 3530    |
| 96K22            | TK40PB3   | 40" Polished Brass, 4035    |
| H1815            | TK35BS3   | 35" Brushed Stainless, 3530 |
| H1816            | TK40BS3   | 40" Brushed Stainless, 4035 |
| H4821            | TK35C3    | 35" Charcoal, 3530          |
| H4823            | TK40C3    | 40" Charcoal, 4035          |

(ref. Form # 750,147M)



| 4 Piece Trim Kit |           |  |
|------------------|-----------|--|
| Cat. No.         | Model No. | Description  |
| 96K17            | TK35PB4   | 35" 4 Piece Finish Trim Kit, Polished Brass, SSDV-3530 |
| 96K18            | TK40PB4   | 40" 4 Piece Finish Trim Kit, Polished Brass, SSDV-4035 |

(ref. Form # 750,147M)



| Decorative Firebox Accessories<br>(all models) |           |  |
|--|-----------|--|
| Cat. No.                                       | Model No. | Description                            |
| 88L53  | FGE       | Bag of Glowing Embers (1 oz. rockwool) |
| 80L42  | FDVS      | Bag of Decorative Volcanic Stone       |

(FDVS ref. Form #750,010M)

### Bag of Glowing Embers

### Bag of Volcanic Stone

Replacement ember materials or volcanic stone are available for use with these appliances. Order kits as part of the periodic maintenance of the appliance.

## REPLACEMENT PARTS LIST

| Item # | Description                         | SSDV-3530 |      | SSDV-4035 |      |
|--------|-------------------------------------|-----------|------|-----------|------|
|        |                                     | Part No.  | Qty. | Part No.  | Qty. |
| 1      | Hood, Charcoal                      | 97K51     | 1    | 97K52     | 1    |
| 2      | Louver Assembly, Top, Charcoal      | H3376     | 1    | H3377     | 1    |
| 3      | * Louver Assembly, Bottom, Charcoal | H3379     | 1    | H3380     | 1    |
| 4      | Enclosure, Glass Front (Complete)   | H4864     | 1    | H3724     | 1    |
| 5      | Nameplate, Superior (logo)          | 56L93     | 1    | 56L93     | 1    |
| 6      | Latch                               | 69L21     | 2    | 69L21     | 2    |
| 7      | Log Set (Complete)                  | H3367     | 1    | H3368     | 1    |
| 8      | Burner Assembly                     | 69L09     | 1    | 69L10     | 1    |
| 9      | Burner Bracket                      | LB-92357  | 1    | LB-92357  | 1    |
| 10     | Ember Screen                        | LB-92438B | 1    | LB-92438C | 1    |
| 11     | Orifice, Main Burner - Natural Gas  | 69L09     | 1    | 18L40     | 1    |
| 11     | Orifice, Main Burner - Propane Gas  | 99K79     | 1    | 37G00     | 1    |
| 12     | Bag of Glowing Embers (Rockwool)    | 88L53     | 1    | 88L53     | 1    |
| 12     | Bag of Decorative Volcanic Stone    | 80L42     | 1    | 80L42     | 1    |
| 13     | Gas Line Flexible Connector, FFGC   | 93L32     | 1    | 93L32     | 1    |

\* Superior Nameplate Logo, 56L93, is not included.

| Gas Controls - SIT Millivolt |                     |             |      |             |      |
|------------------------------|---------------------|-------------|------|-------------|------|
|                              | Description         | Natural Gas |      | Propane Gas |      |
|                              |                     | Part No.    | Qty. | Part No.    | Qty. |
| 14                           | Gas Valve, SIT      | 43K07       | 1    | 88J53       | 1    |
| 15                           | Piezo Igniter       | 91K94       | 1    | 91K94       | 1    |
| 16                           | Pilot Assembly      | 69L17       | 1    | 69L18       | 1    |
| 17                           | Pilot Generator     | 60J79       | 1    | 60J79       | 1    |
| 18                           | Thermocouple        | 74L57       | 1    | 74L57       | 1    |
| 19                           | Pilot Tube          | 74L56       | 1    | 74L56       | 1    |
| 20                           | Electrode and Cable | 74L58       | 1    | 74L58       | 1    |
| 21                           | Pilot Shield        | H3737       | 1    | H3737       | 1    |

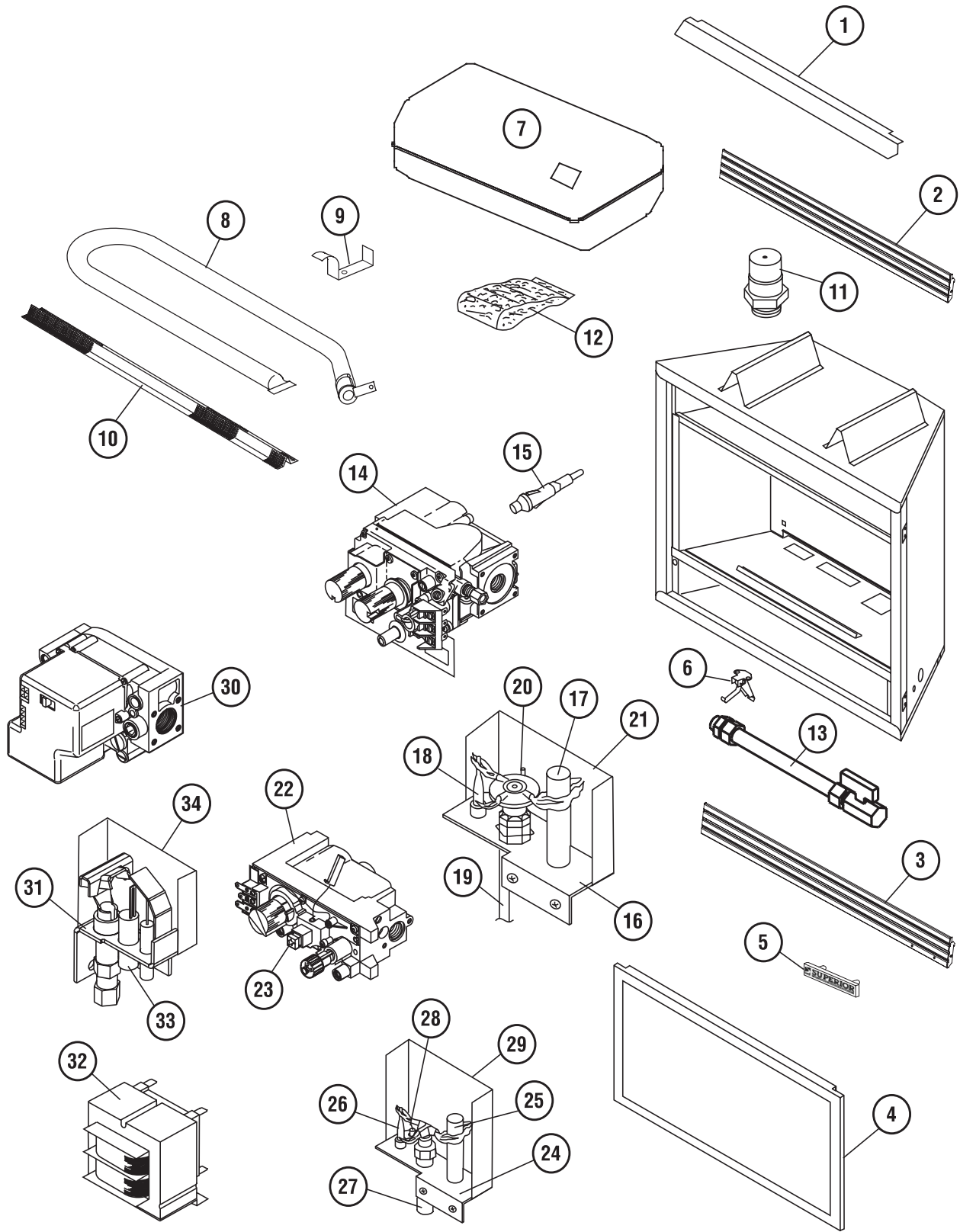
| Gas Controls - Honeywell Millivolt |                      |             |      |             |      |
|------------------------------------|----------------------|-------------|------|-------------|------|
|                                    | Description          | Natural Gas |      | Propane Gas |      |
|                                    |                      | Part No.    | Qty. | Part No.    | Qty. |
| 22                                 | Gas Valve, Honeywell | 24M12       | 1    | 82L87       | 1    |
| 23                                 | Piezo Igniter        | 24M89       | 1    | 24M89       | 1    |
| 24                                 | Pilot Assembly       | 67L70       | 1    | 67L70       | 1    |
| 25                                 | Pilot Generator      | 60J79       | 1    | 60J79       | 1    |
| 26                                 | Thermocouple         | 67L67       | 1    | 67L67       | 1    |
| 27                                 | Pilot Tube           | 67L68       | 1    | 67L68       | 1    |
| 28                                 | Electrode and Cable  | 67L87       | 1    | 67L87       | 1    |
| 29                                 | Pilot Shield         | H3737       | 1    | H3737       | 1    |

| Gas Controls - Honeywell Electronic |                        |             |      |             |      |
|-------------------------------------|------------------------|-------------|------|-------------|------|
|                                     | Description            | Natural Gas |      | Propane Gas |      |
|                                     |                        | Part No.    | Qty. | Part No.    | Qty. |
| 30                                  | Gas Valve, Honeywell   | 62L18       | 1    | 62L19       | 1    |
| 31                                  | Pilot Assembly         | 62L14       | 1    | 62L15       | 1    |
| 32                                  | Transformer            | 42J32       | 1    | 42J32       | 1    |
| 33                                  | Igniter Assembly (Kit) | 87L54       | 1    | 87L54       | 1    |
| 34                                  | Pilot Shield           | H1596       | 1    | H1596       | 1    |



We recommend that our gas hearth products be installed and serviced by professionals who are certified in the U.S. by the National Fireplace Institute® (NFI) as NFI Gas Specialists.

# REPLACEMENT PARTS DIAGRAMS



NOTE: DIAGRAMS & ILLUSTRATIONS NOT TO SCALE.