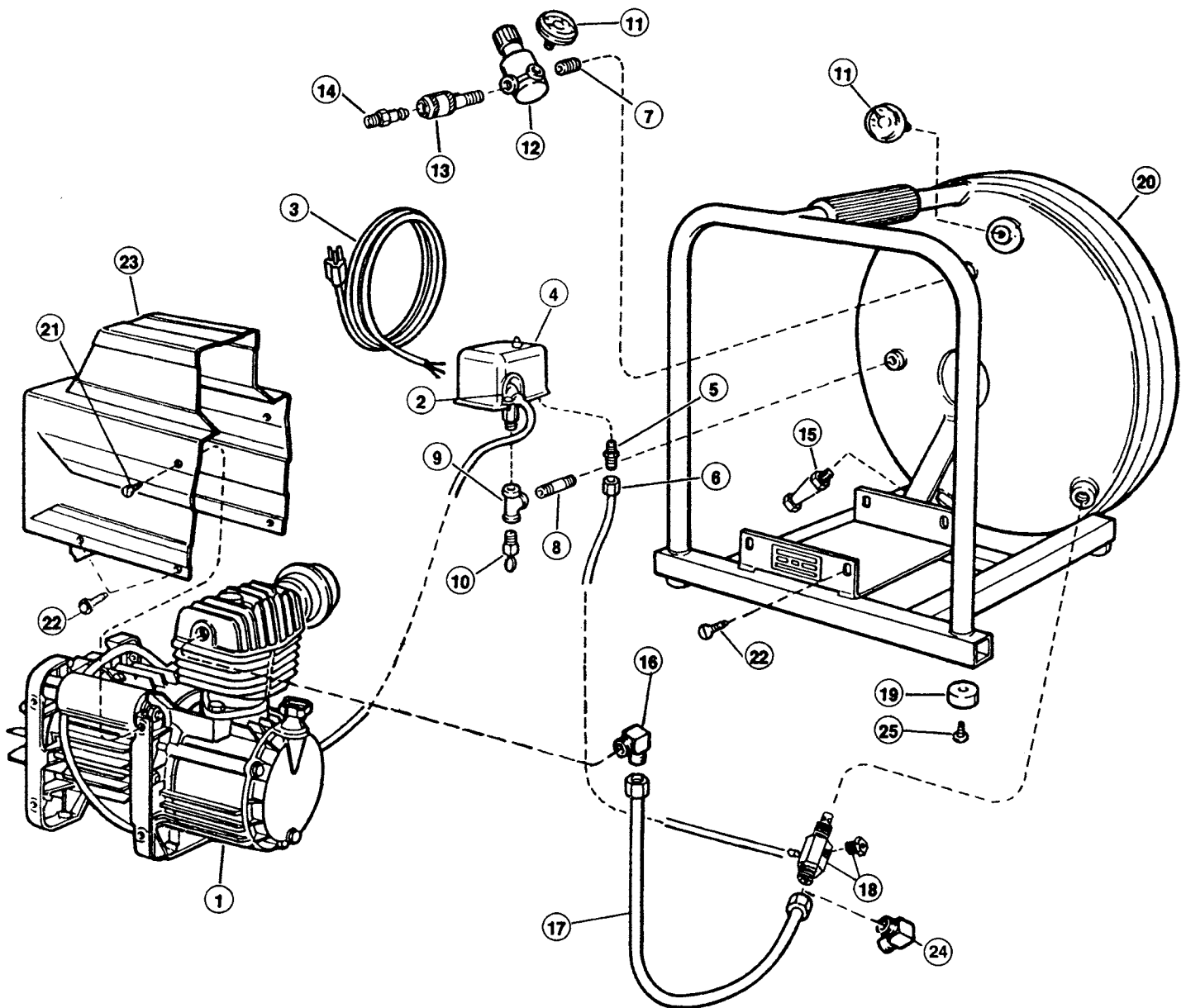




ROLAIR

SCHEMATIC FOR MODELS

D075HPV5 D1000LPV5 OD1500LPV5
D075LPV5 D1500HPV5 OD1500HPV5
D2002HPV5 D2000HPV5





PARTS LIST FOR MODELS

D075HPV5 D1500HPV5 OD1500LPV5
D075LPV5 D2000HPV5 OD1500HPV5
D1000LPV5 D2002HPV5

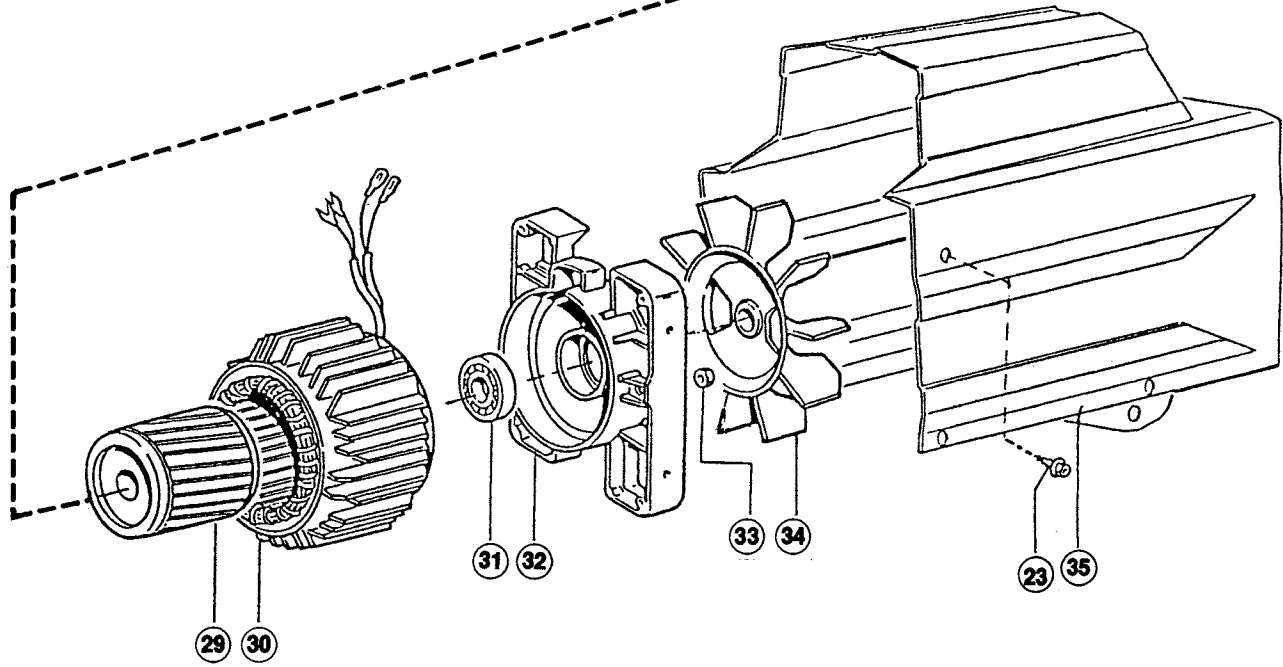
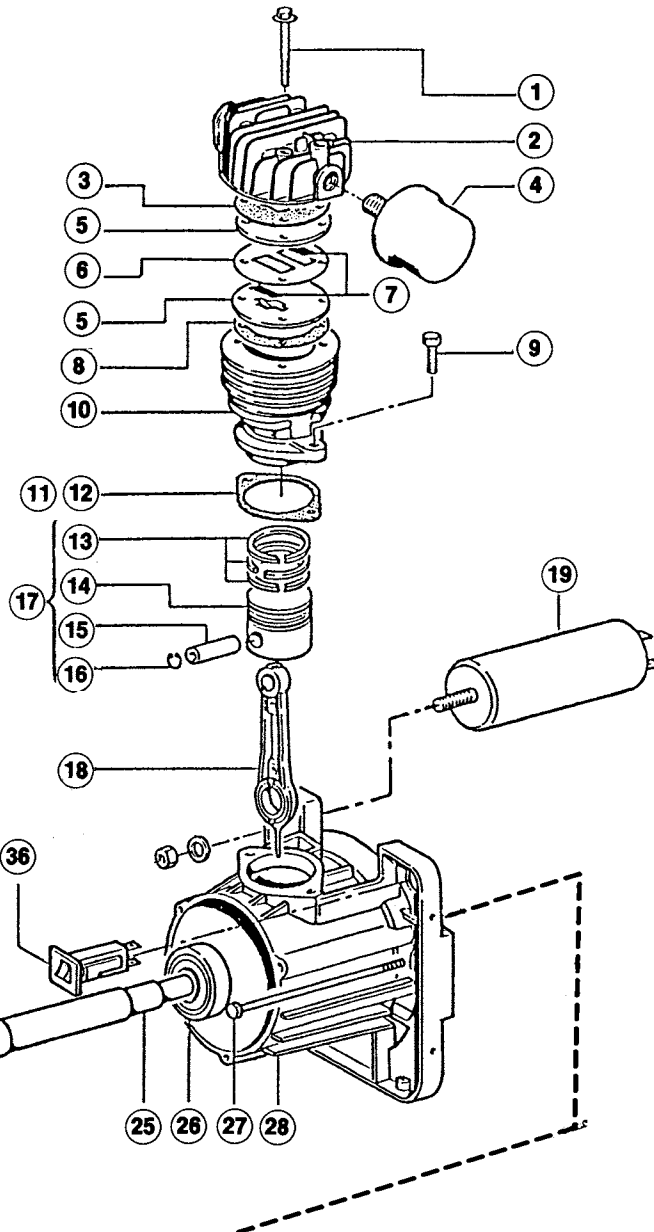
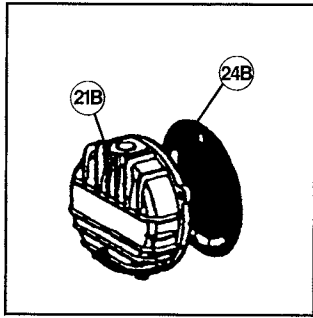
Schematic #	Description	Part #	Qty.
1	1 HP Pump Motor – Model D075HPV5	PMP11MK100FI	1
	1 HP Pump/Motor – Model D075LPV5	PMP11MK105FI	1
	1.5 HP Pump/Motor – Model D1000LPV5	PMP11MK135FI	1
	2 HP Pump/Motor – Model D1500HPV5	PMP11MK200FI	1
	2 HP Pump/Motor – Model OD1500LPV5*	PMP11MK150FI	1
	2 HP Pump/Motor – Model OD1500HPV5*	PMP11OL202FI	1
	2 HP Pump/Motor – Model D2000HPV5	PMP11MK200PFI**	1
	2 HP Pump/Motor – Model D2002HPV5	PMP11MK146FC**	1
2	Box Connector	160	2
3	Cord w/Plug	176	1
4	Pressure Switch	PS2020M	1
5	Pressure Switch Relief Valve	PS2020RV	1
6	¼" Nylon Tubing – 15"	178D	1.25'
	Brass Nut	BRNT0250	2
	Brass Ring	BRRG0250	2
	Brass Sleeve	BRSL0250	2
7	Nipple	BLNP0250X0875	1
8	Nipple	BLNP0250X1500	1
9	Tee	BLTE0250	1
10	Safety Valve	SRV0250N165	1
11	Gauge	GA0125200	2
12	Regulator	REG0250M	1
13	Quick Disconnect	308	1
14	Coupler Plug	310	1
15	Drain Valve	132B	1
16	Brass Elbow	BREL0500X037539	1
	Brass Straight - OD1500LPV5* Only	BRST0500X050038	1
17	½" Copper Tube	Specify Model/Serial #	1
18	Check Valve		
	D1500HPV5 & OD1500LPV5* Only	CV4X4TWB	1
	OD1500HPV5* Only	CV3X4TWB	1
	All other models	CV4X4T	1
	Bleeder Valve	CSV0125	1
19	Rubber Foot	219B	4
20	Tank Assembly	Specify Model	1
21	Screw	014006121F	2
22	Screw	MIS10036	4
23	Shroud - OD1500LPV5* Only	116004006F	1
	OD1500HPV5* Only	116005030F	1
	All other models	199657000F	1
24	Brass Elbow - OD1500HPV5* Only	BREL0500X037539	1
25	Screw	MIS10093C	4

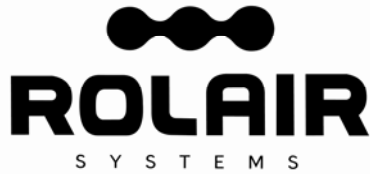
*Oilless Models

**Location of intake filter is reversed from standard factory position. Please indicate model number when ordering.



**SCHEMATIC FOR
PMP11MK100FI**





PARTS LIST FOR PMP11MK100FI

Schematic #	Description	Part #	Qty.
1	Bolt	014002021F	4
2	Head	116034010F	1
3	Gasket	116011037F	1
4	Intake Filter Assembly	317013000F	1
	Filter Element	317013004FE	1
5	Valve Plate	116011020F	2
6	Gasket	113113036F	1
7	Valve	113113005F	2
8	Gasket	113113034F	1
9	Bolt	MIS10049	2
10	Cylinder	116034006F	1
11	Gasket – if manufactured before 6/97	116022023F	1
12	O-Ring – if manufactured before 6/97	010114000F	1
13	Ring Set	216011003F	1
14	Piston	116011027F	1
15	Piston Pin	113113003F	1
16	Snap Ring	015001000F	2
17	Piston Assembly	416011027F	1
18	Connecting Rod	116091021F	1
19	Capacitor	009200026F	1
20	Dipstick	012036000F	1
21A	Crankcase Cover	116022006F	1
21B	Crankcase Cover*	N.L.A.	
22	Drain Plug	014013024F	1
23	Screw	014006121F	11
24A	O-Ring	010013000F	1
24B	Diaphragm	116001025F	1
25	Crankshaft	116034004F	1
26	Bearing	033018000F	1
27	Bolt	116011038F	2
28	Motor Housing	116022051F	1
29	Rotor	116034001F	1
30	Stator	416085641F	1
31	Bearing	033005000F	1
32	End Bell	116011002F	1
33	Nut	014003002F	2
34	Fan	116001003F	1
35	Shroud	119100070F	1
36	Manual Reset Button	008015000F	1
	Gasket Set	216085001F	1

*Use 116022006F cover and 116001025F diaphragm