

OPERATION AND PARTS MANUAL



***WHITEMAN* SERIES**

MODEL

WM70SH5/WM70PH5

WM70SH8/WM70PH8

WM70SE/WM70PE

PLASTER AND MORTAR MIXER

**(HONDA GX160/GX240 SERIES GASOLINE ENGINES
AND 1.5 HP ELECTRIC MOTOR)**

Revision #8 (04/18/18)

To find the latest revision of this
publication, visit our website at:
www.multiquip.com



THIS MANUAL MUST ACCOMPANY THE EQUIPMENT AT ALL TIMES.

FUEL AND CHEMICAL EXPOSURE WARNINGS



WARNING

Gasoline engine exhaust and some of its constituents, and some dust created by power sanding, sawing, grinding, drilling and other construction activities contains chemicals known to the State of California to cause cancer, birth defects and other reproductive harm. Some examples of these chemicals are:

- Lead from lead-based paints.
- Crystalline silica from bricks.
- Cement and other masonry products.
- Arsenic and chromium from chemically treated lumber.

Your risk from these exposures varies, depending on how often you do this type of work. To reduce your exposure to these chemicals: **ALWAYS** work in a well ventilated area, and work with approved safety equipment, such as dust masks that are specially designed to filter out microscopic particles.

SILICOSIS/RESPIRATORY WARNINGS

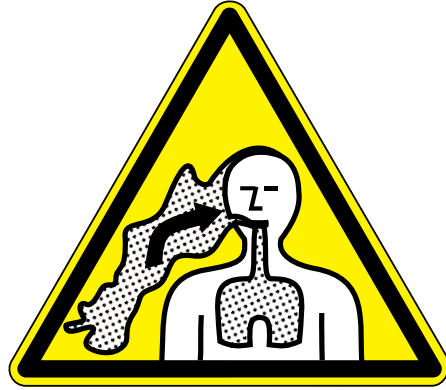
⚠️ WARNING



SILICOSIS WARNING

Grinding/cutting/drilling of masonry, concrete, metal and other materials with silica in their composition may give off dust or mists containing crystalline silica. Silica is a basic component of sand, quartz, brick clay, granite and numerous other minerals and rocks. Repeated and/or substantial inhalation of airborne crystalline silica can cause serious or fatal respiratory diseases, including silicosis. In addition, California and some other authorities have listed respirable crystalline silica as a substance known to cause cancer. When cutting such materials, always follow the respiratory precautions mentioned above.

⚠️ WARNING



RESPIRATORY HAZARDS

Grinding/cutting/drilling of masonry, concrete, metal and other materials can generate dust, mists and fumes containing chemicals known to cause serious or fatal injury or illness, such as respiratory disease, cancer, birth defects or other reproductive harm. If you are unfamiliar with the risks associated with the particular process and/or material being cut or the composition of the tool being used, review the material safety data sheet and/or consult your employer, the material manufacturer/supplier, governmental agencies such as OSHA and NIOSH and other sources on hazardous materials. California and some other authorities, for instance, have published lists of substances known to cause cancer, reproductive toxicity, or other harmful effects.

Control dust, mist and fumes at the source where possible. In this regard use good work practices and follow the recommendations of the manufacturers or suppliers, OSHA/NIOSH, and occupational and trade associations. Water should be used for dust suppression when wet cutting is feasible. When the hazards from inhalation of dust, mists and fumes cannot be eliminated, the operator and any bystanders should always wear a respirator approved by NIOSH/MSHA for the materials being used.

TABLE OF CONTENTS

WM70S/P Series Plaster And Mortar Mixer

Fuel And Chemical Exposure Warnings	2
Silicosis/Respiratory Warnings	3
Table Of Contents	4
Parts Ordering Procedures	5
Training Checklist	6
Safety Information	7-12
Mixer Specifications/Noise And Vibration	13
Engine/Electric Motor Specifications	14
General Information	15
Basic Components (Mixer)	16
Engine Components	17
Electric Motor Components	18-19
Towing Guidelines	20
Safety Chain Connection	21
Inspection	22-24
Start-Up	25-26
Operation	26-29
Maintenance (Engine)	30-32
Maintenance (Mixer)	33-37
Troubleshooting (Mixer/Electric Motor)	38
Troubleshooting (Engine)	39-40
Explanation Of Code In Remarks Column	42
Suggested Spare Parts	43

Component Drawings

Nameplate And Decals Assembly	44-45
Frame Assembly	46-47
Paddle Shaft Assembly	48-49
Steel Drum Assembly	50-51
Plastic Drum Assembly	52-53
Drum And Paddle Shaft Compl. Assy. (Plastic)	54-55
Drum And Paddle Shaft Compl. Assy. (Steel)	56-57
Axle Assembly	58-59
Engine Assembly	60-61
Electric Motor Assy.	62-63
Cabinet Assembly	64-65
Engine Service Parts	66-67
Terms And Conditions Of Sale — Parts	68

NOTICE

Specifications and part numbers are subject to change without notice.

PARTS ORDERING PROCEDURES

Ordering parts has never been easier! Choose from three easy options:

Effective:
January 1st, 2006

www.multiquip.com



Order via Internet (Dealers Only):

Order parts on-line using Multiquip's SmartEquip website!

- View Parts Diagrams
- Order Parts
- Print Specification Information



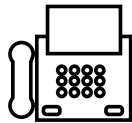
If you have an MQ Account, to obtain a Username and Password, E-mail us at: parts@multiquip.com.

To obtain an MQ Account, contact your District Sales Manager for more information.

Goto www.multiquip.com and click on **Order Parts** to log in and save!

Use the **internet** and qualify for a **5% Discount** on *Standard orders* for all orders which include complete part numbers.*

Note: Discounts Are Subject To Change



Order via Fax (Dealers Only):

All customers are welcome to order parts via Fax.

Domestic (US) Customers dial:
1-800-6-PARTS-7 (800-672-7877)

Fax your order in and qualify for a **2% Discount** on *Standard orders* for all orders which include complete part numbers.*

Note: Discounts Are Subject To Change



Order via Phone: Domestic (US) Dealers Call:
1-800-427-1244

Non-Dealer Customers:

Contact your local Multiquip Dealer for parts or call 800-427-1244 for help in locating a dealer near you.



International Customers should contact their local Multiquip Representatives for Parts Ordering information.

When ordering parts, please supply:

- | | |
|---|--|
| <input type="checkbox"/> Dealer Account Number | <input type="checkbox"/> Specify Preferred Method of Shipment: |
| <input type="checkbox"/> Dealer Name and Address | <input checked="" type="checkbox"/> UPS/Fed Ex <input checked="" type="checkbox"/> DHL |
| <input type="checkbox"/> Shipping Address (if different than billing address) | <input type="checkbox"/> Priority One <input checked="" type="checkbox"/> Truck |
| <input type="checkbox"/> Return Fax Number | <input type="checkbox"/> Ground |
| <input type="checkbox"/> Applicable Model Number | <input type="checkbox"/> Next Day |
| <input type="checkbox"/> Quantity, Part Number and Description of Each Part | <input type="checkbox"/> Second/Third Day |

NOTICE

All orders are treated as *Standard Orders* and will ship the same day if received prior to 3PM PST.

WE ACCEPT ALL MAJOR CREDIT CARDS!



TRAINING CHECKLIST

Training Checklist			
No,	Description	OK?	Date
1	Read operation manual completely.		
2	Machine layout, location of components, checking of engine oil levels.		
3	Fuel system, refueling procedure.		
4	Operation of controls (machine not running).		
5	Safety controls, safety stop switch operation.		
6	Emergency stop procedures.		
7	Machine transport and storage.		

SAFETY INFORMATION


Do not operate or service the equipment before reading the entire manual. Safety precautions should be followed at all times when operating this equipment. Failure to read and understand the safety messages and operating instructions could result in injury to yourself and others.




SAFETY MESSAGES

The four safety messages shown below will inform you about potential hazards that could injure you or others. The safety messages specifically address the level of exposure to the operator and are preceded by one of four words: **DANGER**, **WARNING**, **CAUTION** or **NOTICE**.


SAFETY SYMBOLS

 **DANGER**

Indicates a hazardous situation which, if not avoided, **WILL** result in **DEATH** or **SERIOUS INJURY**.

 **WARNING**

Indicates a hazardous situation which, if not avoided, **COULD** result in **DEATH** or **SERIOUS INJURY**.





 **CAUTION**

Indicates a hazardous situation which, if not avoided, **COULD** result in **MINOR** or **MODERATE INJURY**.

NOTICE

Addresses practices not related to personal injury.

Potential hazards associated with the operation of this equipment will be referenced with hazard symbols which may appear throughout this manual in conjunction with safety messages.

Symbol	Safety Hazard
	Lethal exhaust gas hazards
	Explosive fuel hazards
	Burn hazards
	Rotating parts hazards

SAFETY INFORMATION

GENERAL SAFETY

CAUTION

- **NEVER** operate this equipment without proper protective clothing, shatterproof glasses, respiratory protection, hearing protection, steel-toed boots and other protective devices required by the job or city and state regulations.



- Avoid wearing jewelry or loose fitting clothes that may snag on the controls or moving parts as this can cause serious injury.

- **NEVER** operate this equipment when not feeling well due to fatigue, illness or when under medication.



- **NEVER** operate this equipment under the influence of drugs or alcohol.



- **ALWAYS** clear the work area of any debris, tools, etc. that would constitute a hazard while the equipment is in operation.

- **ALWAYS** check the equipment for loosened threads or bolts before starting.

- **DO NOT** use the equipment for any purpose other than its intended purposes or applications.

NOTICE

- This equipment should only be operated by trained and qualified personnel 18 years of age and older.
- Whenever necessary, replace nameplate, operation and safety decals when they become difficult read.
- Manufacturer does not assume responsibility for any accident due to equipment modifications. Unauthorized equipment modification will void all warranties.
- **NEVER** use accessories or attachments that are not recommended by Multiquip for this equipment. Damage to the equipment and/or injury to user may result.
- **ALWAYS** know the location of the nearest **fire extinguisher**.
- **ALWAYS** know the location of the nearest **first aid kit**.
- **ALWAYS** know the location of the nearest phone or **keep a phone on the job site**. Also, know the phone numbers of the nearest **ambulance, doctor and fire department**. This information will be invaluable in the case of an emergency.



SAFETY INFORMATION

MIXER SAFETY

DANGER

- **NEVER** operate the equipment in an explosive atmosphere or near combustible materials. An explosion or fire could result causing severe **bodily harm or even death.**



- **DO NOT** mix **flammable** or **explosive** substances.

WARNING

- **NEVER** place your hands inside the drum while starting or operating this equipment.
- **NEVER** disconnect any **emergency or safety devices.** These devices are intended for operator safety. Disconnection of these devices can cause severe injury, bodily harm or even death. Disconnection of any of these devices will void all warranties.



- Before operating mixer, ensure that safety grate is in position and correctly fitted.

CAUTION

- **NEVER** lubricate components or attempt service on a running machine.

NOTICE

- **ALWAYS** keep the machine in proper running condition.
- **ALWAYS** ensure mixer is on level ground before mixing.
- Fix damage to machine and replace any broken parts immediately.
- **DO NOT** tip mixer onto drum mouth when the drum is rotating.
- Ensure the drum is rotating while filling and emptying the drum.
- **ALWAYS** store equipment properly when it is not being used. Equipment should be stored in a clean, dry location out of the reach of children and unauthorized personnel.

ENGINE SAFETY (GASOLINE MODELS ONLY)

DANGER

- Engine fuel exhaust gases contain poisonous carbon monoxide. This gas is colorless and odorless, and can cause death if inhaled.
- The engine of this equipment requires an adequate free flow of cooling air. **NEVER** operate this equipment in any enclosed or narrow area where free flow of the air is restricted. If the air flow is restricted it will cause injury to people and property and serious damage to the equipment or engine.



WARNING

- **DO NOT** place hands or fingers inside engine compartment when engine is running.
- **NEVER** operate the engine with heat shields or guards removed.
- Keep fingers, hands hair and clothing away from all moving parts to prevent injury.
- **DO NOT** remove the engine oil drain plug while the engine is hot. Hot oil will gush out of the oil tank and severely scald any persons in the general area of the mixer.



CAUTION

- **NEVER** touch the hot exhaust manifold, muffler or cylinder. Allow these parts to cool before servicing equipment.
- Make certain the operator knows how to and is capable of turning the engine OFF in case of an emergency.



NOTICE

- **NEVER** run engine without an air filter or with a dirty air filter. Severe engine damage may occur. Service air filter frequently to prevent engine malfunction.
- **NEVER** tamper with the factory settings of the engine or engine governor. Damage to the engine or equipment can result if operating in speed ranges above the maximum allowable.



SAFETY INFORMATION

FUEL SAFETY (GASOLINE MODELS ONLY)

DANGER

- **DO NOT** start the engine near spilled fuel or combustible fluids. Fuel is extremely flammable and its vapors can cause an explosion if ignited.
- **ALWAYS** refuel in a well-ventilated area, away from sparks and open flames.
- **ALWAYS** use extreme caution when working with **flammable** liquids.
- **DO NOT** fill the fuel tank while the engine is running or hot.
- **DO NOT** overfill tank, since spilled fuel could ignite if it comes into contact with hot engine parts or sparks from the ignition system.
- Store fuel in appropriate containers, in well-ventilated areas and away from sparks and flames.
- **NEVER** use fuel as a cleaning agent.
- **DO NOT** smoke around or near the equipment. Fire or explosion could result from fuel vapors or if fuel is spilled on a hot engine.



GENERATOR SAFETY

If using a generator to power mixer, refer to applicable generator manual safety information section.



ELECTRIC MOTOR SAFETY (ELECTRIC MODELS ONLY)

NOTICE

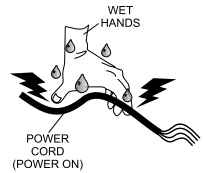
- Operate electric motor only at the specified voltage indicated on the nameplate.
- **DO NOT** spray water onto electric motor.
- **ALWAYS** disconnect AC power plug from power source before moving mixer.
- **ALWAYS** make sure the ON/OFF switch on the electric motor is in the OFF position when not in use and before inserting the mixer's power plug into an AC receptacle.



Power Cord/Cable Safety

DANGER

- **NEVER** let power cords or cables **lay in water**.
- **NEVER** use **damaged** or **worn** cables or cords when connecting equipment to generator. Inspect for cuts in the insulation.
- **NEVER** grab or touch a live power cord or cable with wet hands. The possibility exists of **electrical shock, electrocution or death**.
- Make sure power cables are securely connected. Incorrect connections may cause electrical shock and damage to the mixer.



CAUTION

- Ensure that cables and cords will not be tripped over or trapped underneath the mixer.

NOTICE

- **ALWAYS** make certain that proper power or extension cord has been selected for the job.

TRANSPORTING SAFETY

CAUTION

- **NEVER** allow any person or animal to stand underneath the equipment while lifting.

NOTICE

- **ALWAYS** make sure forklift forks are inserted into pockets (if applicable) as far as possible when lifting the mixer.
- **ALWAYS** shutdown engine before transporting.
- **NEVER** lift the equipment while the engine is running.
- Tighten fuel tank cap securely and close fuel cock to prevent fuel from spilling.
- **DO NOT** lift machine to unnecessary heights.
- **ALWAYS** tie down equipment during transport by securing the equipment with rope.
- **NEVER** tip the engine to extreme angles during lifting as it may cause oil to gravitate into the cylinder head, making the engine start difficult.

SAFETY INFORMATION

TOWING SAFETY

CAUTION

- Check with your local county or state safety towing regulations, in addition to meeting **Department of Transportation (DOT) Safety Towing Regulations**, before towing your mixer.
- In order to reduce the possibility of an accident while transporting the mixer on public roads, **ALWAYS** make sure the towing vehicle is mechanically sound and in good operating condition.
- **ALWAYS** shutdown engine before transporting and place the fuel valve in the **OFF** position.
- **ALWAYS** inspect the hitch and coupling for wear. **NEVER** tow a mixer with defective hitches, couplings, chains, etc.
- Check the tire air pressure on both towing vehicle and mixer **Mixer tires should be inflated to 50 psi cold**. Also check the tire tread wear on the vehicle and mixer.
- **ALWAYS** make sure the mixer is equipped with a **safety chain**.
- **ALWAYS** properly attach mixer's safety chains to towing vehicle.
- The maximum speed for highway towing is **55 MPH** unless posted otherwise. Recommended off-road towing is not to exceed **15 MPH** or less depending on type of terrain.
- Avoid sudden stops and starts. This can cause skidding, or jack-knifing. Smooth, gradual starts and stops will improve towing.
- Avoid sharp turns to prevent rolling.
- Mixer should be adjusted to a level position at all times when towing.
- Raise and lock mixer wheel stand in up position when towing.
- Place **chock blocks** underneath wheel to prevent **rolling** while parked.

ENVIRONMENTAL SAFETY/DECOMMISSIONING

NOTICE

Decommissioning is a controlled process used to safely retire a piece of equipment that is no longer serviceable. If the equipment poses an unacceptable and unrepairable safety risk due to wear or damage or is no longer cost effective to maintain (beyond life-cycle reliability) and is to be decommissioned (demolition and dismantlement), be sure to follow rules below.

- **DO NOT** pour waste or oil directly onto the ground, down a drain or into any water source.
- Contact your country's Department of Public Works or recycling agency in your area and arrange for proper disposal of any electrical components, waste or oil associated with this equipment.
- When the life cycle of this equipment is over, remove battery if equipped and bring to appropriate facility for lead reclamation. Use safety precautions when handling batteries that contain sulfuric acid.
- When the life cycle of this equipment is over, it is recommended that the mixer frame and all other metal parts be sent to a recycling center.



Metal recycling involves the collection of metal from discarded products and its transformation into raw materials to use in manufacturing a new product.

Recyclers and manufacturers alike promote the process of recycling metal. Using a metal recycling center promotes energy cost savings.

EMISSIONS INFORMATION

NOTICE

The gasoline engine used in this equipment has been designed to reduce harmful levels of carbon monoxide (CO), hydrocarbons (HC) and nitrogen oxides (NOx) contained in gasoline exhaust emissions.

This engine has been certified to meet US EPA Evaporative emissions requirements in the installed configuration.

Attempting to modify or make adjustments to the engine emission system by unauthorized personnel without proper training could damage the equipment or create an unsafe condition.

Additionally, modifying the fuel system may adversely affect evaporative emissions, resulting in fines or other penalties.

Emission Control Label

The emission control label is an integral part of the emission system and is strictly controlled by regulation(s).

The label must remain with the engine for its entire life.

If a replacement emission label is needed, please contact your authorized engine distributor.

MIXER SPECIFICATIONS/NOISE AND VIBRATION

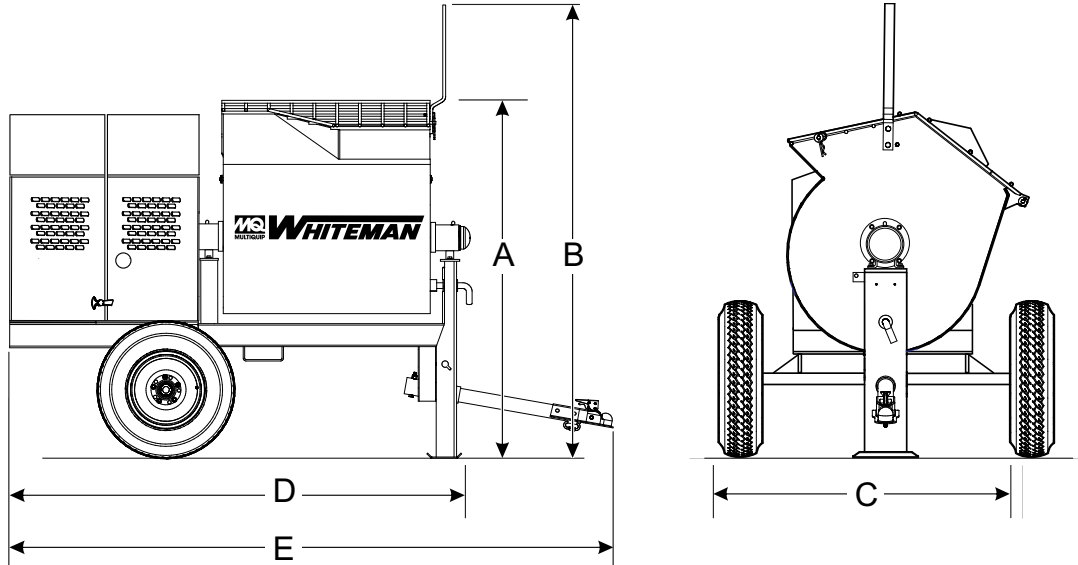


Figure 1. Dimensions

Table 1. WM70SP Series Dimensions/Specifications	
Reference Letter/Parameter	Dimensions in. (mm)
A (Height-Grate)	58.0 (1,473)
B (Height-Drum Handle)	67.0 (1,702)
C (Width-Wheelbase)	50 (1,270)
D (Length-Jack Stand/Frame)	67.0 (1,702)
E (Length-Jack Stand/Tow Bar)	92.0 (2,337)
Maximum Mixing Capacity	7.0 cu. ft. (198 liters)
Bag Capacity	1.5 ~ 2.5 bags
Weight Approx.	788 lbs. (357 kg)

Table 2. WM70SP Noise And Vibration (Gasoline)	
Guaranteed ISO 11201:2010 Based Sound Pressure Level at Operator Station in dB(A)	TBD
Guaranteed ISO 3744:2010 Based Sound Power Level in dB(A)	TBD

NOTES:

1. Sound Pressure and Power Levels are "A" weighted Measures per ISO 226:2003 (ANSI S1.4-1981). They are measured with the operating condition of the machine which generates the most repeatable but highest values of the sound levels. Under normal circumstances, the sound level will vary depending on the condition of the material being worked upon.
2. The vibration level indicated is the vector sum of the RMS (Root Mean Square) Values of amplitudes on each axis, standardized to an 8 hour exposure period, and obtained using operating condition of the machine that generates the most repeatable but highest values in accordance with the applicable standards for the machine.

ENGINE/ELECTRIC MOTOR SPECIFICATIONS

Table 3. Engine/Electric Motor Specifications

Model	HONDA GX160K1HX2 GX160UT1HX2	HONDA GX240K1HA2 GX240UT1HA2	Baldor 35L229S302
Type	Air-cooled 4 stroke, Single Cylinder, OHV, Horizontal Shaft Gasoline Engine	Air-cooled 4 stroke, Single Cylinder, OHV, Horizontal Shaft Gasoline Engine	1.5 HP, 1Ø-120/240 VAC, Electric Motor
Bore X Stroke	2.7 in. X 1.8 in. (68 mm x 45 mm)	2.9 in. X 2.3 in. (73 mm x 58 mm)	N/A
Displacement	9.9 cu. in. (163 cc)	14.81 cu. in. (242 cc)	N/A
Max Output	5.5 H.P./3,600 rpm	8.0H.P./3,600 rpm	1.5 HP/1725 R.P.M.
Fuel Tank Capacity	0.95 U.S. Gallons (3.6 Liters)	1.59 U.S. Gallons (6.0 Liters)	N/A
Fuel	Unleaded Automobile Gasoline	Unleaded Automobile Gasoline	N/A
Lube Oil Capacity	0.63 qt. (0.6 liter)	1.16 qt. (1.1 liter)	N/A
Speed Control Method	Centrifugal Fly-weight Type	Centrifugal Fly-weight Type	N/A
Starting Method	Recoil Start	Recoil Start	Electric
Input Voltage	N/A	N/A	120/240 VAC, 1Ø
Dimension (L x W x H)	12.3 x 14.3 X 13.2 in. (312 X 362 X 335 mm)	14.0 x 16.9 X 16.1 in. (355 X 430 X 410 mm)	13.3 x 8.70 X 9.06 in. (338 X 220 X 230 mm)
Dry Net Weight	40.8 lbs (15.0 Kg.)	55.1 lbs (25.0 Kg.)	Approx. 22 lbs (10 kg.)

GENERAL INFORMATION

APPLICATION

This mixer is **only** intended for the mixing of **plaster** and **mortar**. The mixer must be used for its intended purpose and is not suitable for the mixing of **flammable** or **explosive** substances. The mixer **must not be used** in an explosive atmosphere.

The drum capacity of this mixer is 7.0 cu. ft. (198 liters) with a batch capacity between 1-1/2 ~ 2-1/2 bags. Mixer is shipped completely assembled and has been factory tested and is ready for use.

POWER PLANTS

The mixer can be powered by a Honda GX160/GX240 air-cooled, 4-stroke gasoline engines or a 1.5 HP electric motor. Refer to Table 3 to for specific engine or electric motor data information.

ELECTRICAL

If mixer is equipped with an **electric motor**, make sure that the power being supplied to the motor corresponds to the voltage rating label on the motor. Supplying the wrong voltage to the electric motor will cause severe electrical damage to the motor.

Always make sure the **OFF/ON** switch on the electric motor is in the **OFF** position before applying power.

It is **strongly recommended** when inserting the mixer's power cord into a receptacle, that a G.F.C.I. (**Ground Fault Current Interrupter**) receptacle be used (120 VAC applications).

HARDWARE

Check all hardware on the mixer before starting. Periodically inspect all hardware. Loose hardware can contribute to early component failure and poor performance. Use Table 4 as general guideline when the torquing of mixer hardware is required. Remember to keep all mixer hardware components tight.

Table 4. Hardware Torque Recommendations

Hardware Diameter	Torque (ft-lbs)
5/16-inch x 18	14
3/8-inch x 16	24
3/8-inch x 24	37
1/2-inch x 13	39
1/2-inch x 13 (Grade 8)	90

ENGINE MAINTENANCE

For basic engine maintenance, refer to the engine maintenance section in this manual. For more detailed engine maintenance, refer to the Honda Engine Owner's manual furnished with the engine.

OPTIONAL TOW BARS

This mixer can be configured for use with various types of tow bars (ball, loop and pin). Reference Figure 2. Contact MQ sales department for the desired tow bar.

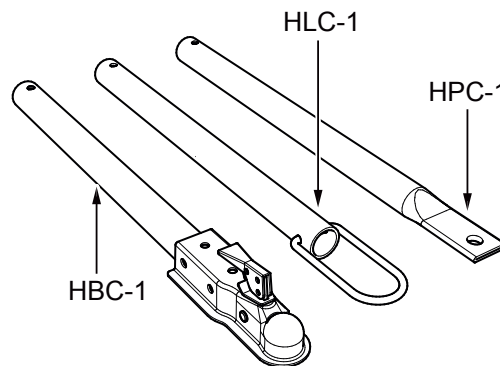


Figure 2. Optional Tow Bars

BASIC COMPONENTS (MIXER)

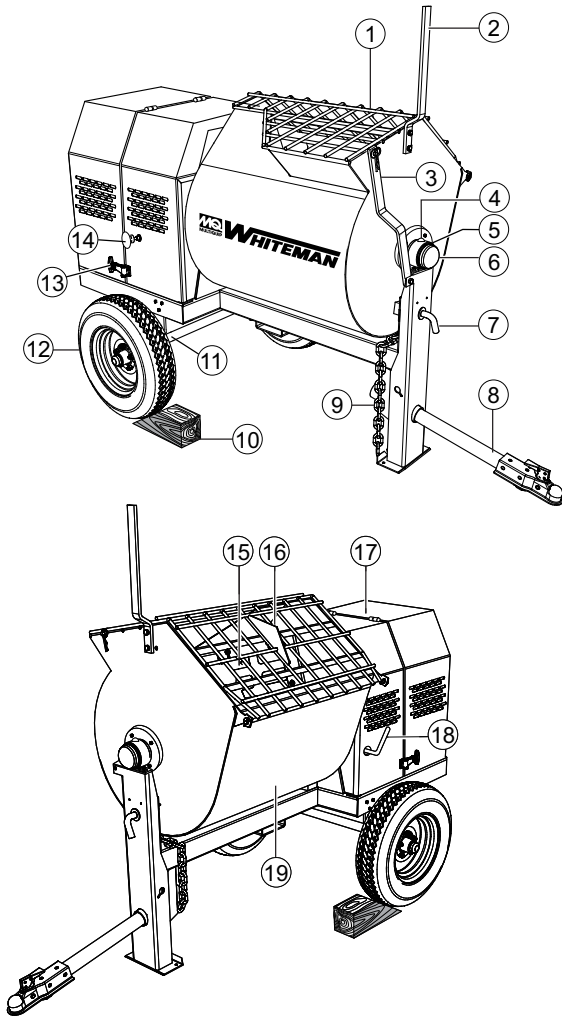


Figure 3. Mixer Major Components

- Safety Grill** — Provided for operator safety. This safety grill is designed to keep hands and solid objects out of the mixing drum when in use. This grill should be closed at all times when mixer is in use. **DO NOT** remove the grill or grill opening bar. Keep the grill clean by washing it down daily.
- Dump Handle** — Pull this handle downward to dump the contents of the drum. Push the handle upward to return the drum to its vertical position.
- Safety Grill Lock Handle** — To prevent injury to hands and arms, the safety grill should **ALWAYS** be locked when the mixing of plaster or mortar is required. Also when transporting the mixer the safety grill should be locked. The safety grill should only be unlocked when cleaning of the blades and drum is required.
- Pivot Point/Zerk Fitting** — There is a zerk grease fitting on each end of the mixing drum. These fittings lubricate the dumping mechanism. Lubricate both fittings at least once a month or when the drum becomes difficult to position.
- Drum Head Seals/Zerk Fitting** — There is a zerk grease fitting on each end of the mixing drum. Lubricate both fittings (drum head seals) every 40 hours of operation.
- Drum Bearing** — There is a sealed bearing on each end of the mixing drum. Bearings are packed and sealed at the factory and require no further maintenance.
- Drum Lock Pin** — Place pin in lock position before towing. Prevents drum from tipping.
- Tow Bar/Coupler** — This mixer uses various towing bars, please reference the frame assembly drawing and parts list in this manual to determine which tow bar meets your requirements.
- Safety Chain** — This mixer uses a 3/16-inch thick, 72 inches long zinc-plated safety chain. **ALWAYS** connect the safety chain when towing.
- Chock Blocks (Option)** — Place these blocks (not included as part of the mixer package) under each mixer wheel to prevent rolling, when mixer is not connected to the towing vehicle.
- Rigid Suspension** — This mixer uses a rigid type suspension. Check the mounting hardware for bolt hole elongation and tightness. See maintenance section of this manual for recommended maintenance.
- Tires Ply** — The tire ply (layers) number is rated in letters. This mixer uses 13-inch 2-ply tires. Replace with only recommended type tires.
- Cabinet/Latch** — Encloses engine and electric motor (option). **NEVER** run mixer with cabinet removed. Use latches to secure engine compartment cabinet.
- Engine ON/OFF Switch** — This pushbutton switch is located on the side of the mixer frame. When activated it will shut down the engine. Pull out when starting the engine.
- Mixing Paddles** — This mixer uses rubber mixing paddles for the mixing of plaster and mortar. Always clean paddles after each use.
- Bag Cutter** — This feature allows mixing bags to be opened easily, therefore allowing the contents of the bag to fall directly into the mixing drum.
- Engine Cover** — Lift this cover to gain access to the engine or electric motor.
- Belt Slip Lever** — Placing this lever in the mix position will tension V-belts which will enable the paddle shaft to rotate.
- Mixing Drum** — Drum capacity is 7.0 cu. ft (198 liters). Mixing materials such as mortar, plaster are to be placed into this drum for mixing. Always clean the drum after each use. **DO NOT** use this mixing drum for the mixing of **volatile or hot liquids**.

ENGINE COMPONENTS

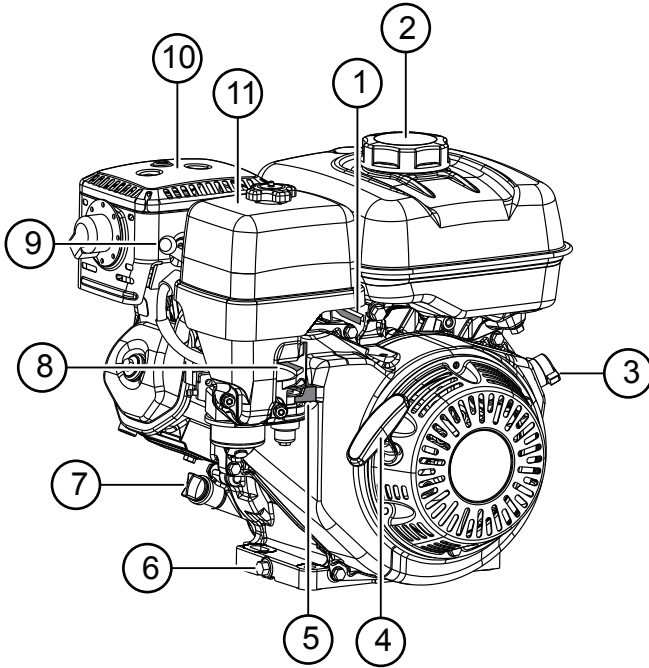


Figure 4. Engine Components

INITIAL SERVICING

The engine (Figure 4) must be checked for proper lubrication and filled with fuel prior to operation. Refer to the manufacturer's engine manual for instructions and details of operation and servicing.

1. **Throttle Lever** – Used to adjust engine RPM speed.
2. **Fuel Filler Cap/Fuel Tank** – Remove this cap to add unleaded gasoline to the fuel tank. Fill with unleaded gasoline. Refer to Table 3 for fuel tank capacity. Make sure cap is tightened securely. **DO NOT** over fill. For additional information refer to Honda engine owner's manual.

DANGER



Add fuel to the tank only when the engine is stopped and has had an opportunity to cool down. In the event of a fuel spill, **DO NOT** attempt to start the engine until the fuel residue has been completely wiped up and the area surrounding the engine is dry.

3. **Engine On/Off Switch** – **ON** position permits engine starting, **OFF** position stops engine operation.
4. **Recoil Starter (pull rope)** – Manual-starting method. Pull the starter grip until resistance is felt, then pull briskly and smoothly.
5. **Fuel Valve Lever** – **OPEN** to let fuel flow, **CLOSE** to stop the flow of fuel.
6. **Oil Drain Plug** – Remove this plug to remove oil from the engine's crankcase.
7. **Dipstick/Oil Filler Cap** – Remove this cap to determine if the engine oil is low. Add oil through this filler port as recommended in Table 6.
8. **Choke Lever** – Used in the starting of a cold engine, or in cold weather conditions. The choke enriches the fuel mixture.
9. **Spark Plug** – Provides spark to the ignition system. Set spark plug gap according to engine manufacturer's instructions. Clean spark plug once a week.
10. **Muffler** – Used to reduce noise and emissions. **NEVER** touch when *hot!*
11. **Air Cleaner** – Prevents dirt and other debris from entering the fuel system. Remove wing-nut on top of air filter canister to gain access to filter element.

NOTICE

Operating the engine without an air filter, with a damaged air filter, or a filter in need of replacement will allow dirt to enter the engine, causing rapid engine wear.

ELECTRIC MOTOR COMPONENTS

ELECTRIC MOTOR

For lubrication care and operation of the electric motor, refer to your electric motor instruction booklet furnished with the motor.

Protect the electric motor from dust as much as possible and keep ventilating openings clean.

CAUTION

DO NOT spray water at any time on the electric motor.
DO NOT operate electric motor in an explosive environment.

The electric motor used on this mixer is single-phase, 1.5 HP @ 120/240 VAC motor. Pay special attention to the nameplate on the electric motor when supplying power to the electric motor. Applying incorrect power to the motor can severely damage the motor and **may cause serious bodily injury!**

Always make certain that the correct voltage is being supplied to the motor. The input voltage requirements can be found on the electric motor's nameplate.

ELECTRIC MOTOR POWER CONNECTIONS

A 12-inch electrical cable (Figure 6) is provided with the electrical motor for hookup to a power source.

The electric motor supplied with the mixer is configured from the factory for 120 VAC grounded operation.

Motors can burn out when the line voltage falls 10% below the voltage rating of the motor. Failure to use proper voltage will cause the motor to overheat and actuate the overload switch.

If overload protection should actuate because of improper voltage or any other malfunction, turn the main switch on the motor to the "OFF" position and correct the problem, press the reset switch button, and turn the main switch to the "ON" position.

NOTICE

It is strongly recommended that all electrical wiring be done by a **licensed electrician**. Pay special attention to the nameplate on the electric motor. Make certain that the voltage supplied to the electric motor matches the required operating voltage printed on the nameplate.

ELECTRIC MOTOR VOLTAGE CHANGE SWITCH

- ALWAYS** make certain the electric motor's ON/OFF switch is in the "OFF" position and the power cord has been disconnected from the power source.
- Remove the voltage change lock-out bolt and nut (Figure 5). Change the position of the voltage change toggle switch from 120 VAC to 240 VAC. The mixer is factory wired for 120 VAC operation.
- Re-install the voltage change lock-out bolt and nut.

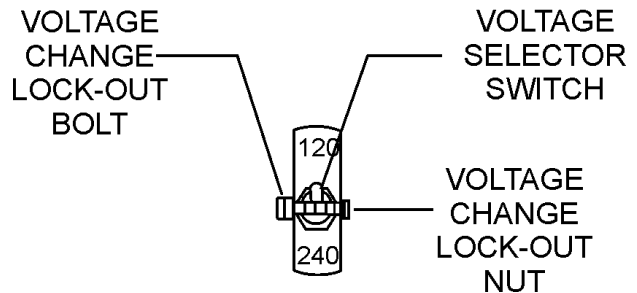


Figure 5. Voltage Change Switch

- Important!**, when changing the input voltage to the electric motor from 120 to 240 VAC, the plug on the electric motor power cord must also be changed. See Table 6 and Figure 6.

Table 5. Electric Motor Wiring Information

120-240 VAC -Single Phase		
Motor HP Rating	NEMA Plug Connector	Mating NEMA Connector
1.5 HP (120 VAC)	L5-20P P/N EM940537	L5-20R P/N EM940538
1.5 HP (240 VAC)	L6-20P P/N 940539	L6-20R P/N 940540

NOTICE

ALWAYS make certain the electric motor's ON/OFF switch is working properly. When the mixer is not in use, place the ON/OFF switch in the "OFF" position and disconnect the power cord from the power source.

ELECTRIC MOTOR COMPONENTS

CAUTION

NEVER disable or disconnect the **ON/OFF** switch on the electric motor. It is provided for operator safety. Injury may result if it is disabled, disconnected or improperly maintained.

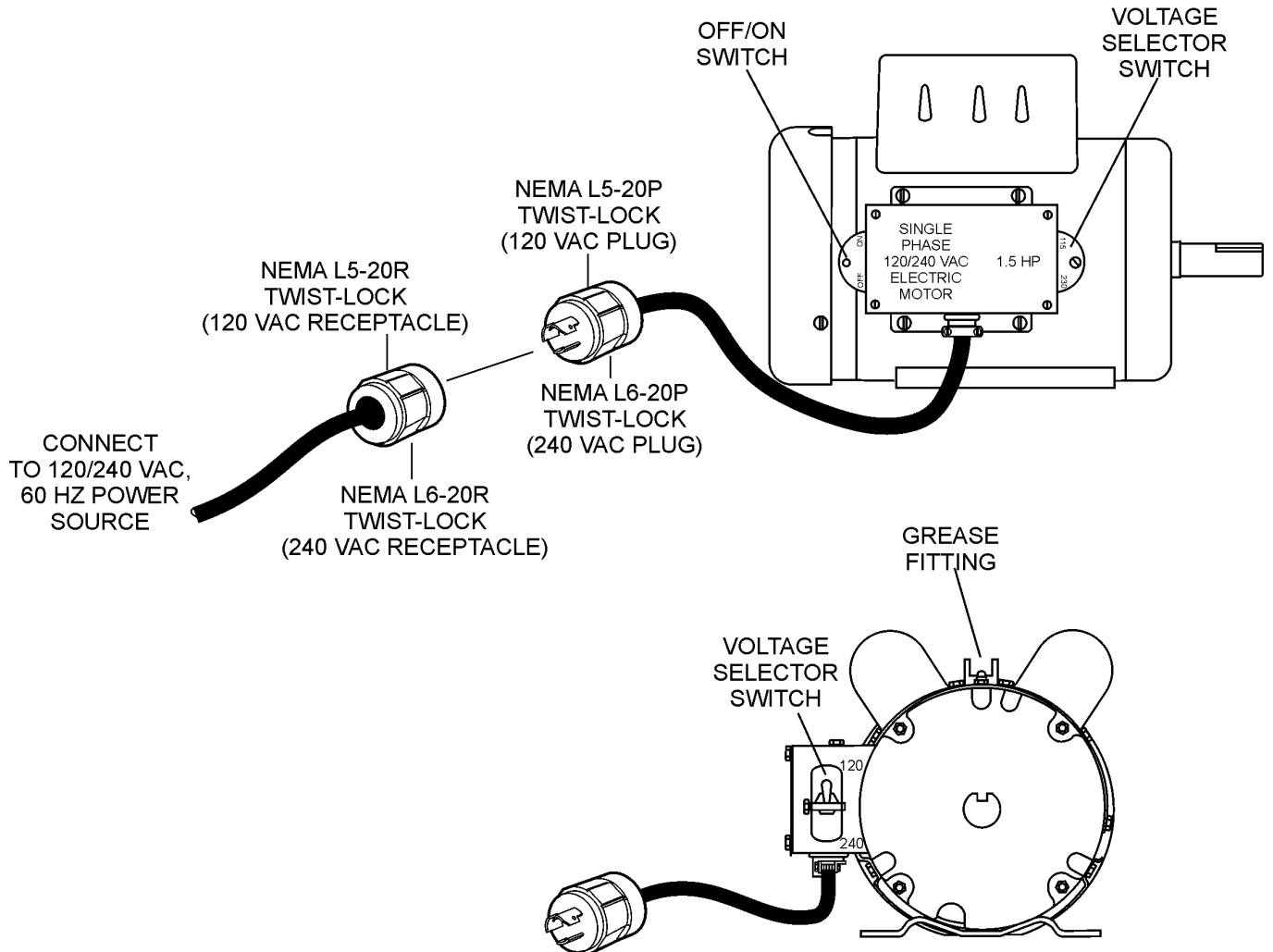


Figure 6. Electric Motor

TOWING GUIDELINES

TOWING SAFETY PRECAUTIONS

CAUTION

Check with your county or state safety towing regulations department before towing your *mixer*.

To reduce the possibility of an accident while transporting the mixer on public roads, always make sure that the mixer towing components and the towing vehicle are in good operating condition and both units are mechanically sound.

The following list of suggestions should be used when towing the mixer:

- Make sure that the hitch and coupling of the towing vehicle are rated equal to, or greater than the trailer "gross vehicle weight rating" (GVWR).
- **ALWAYS** inspect the hitch and coupling for wear. **NEVER** tow the mixer with defective hitches, couplings, chains etc.
- **CHECK** the tire air pressure on both the towing vehicle and the trailer. Also check the tire tread wear on both vehicles.
- **ALWAYS** make sure the mixer is equipped with a "Safety Chain."
- **ALWAYS** attach trailer's safety chain to the frame of towing vehicle.
- **ALWAYS** make sure that the towing vehicle's directional, backup, and brake lights are working properly.
- Remember in most cases the maximum speed unless otherwise posted for highway towing is **55 MPH**, however before towing your mixer, check your local state, and county vehicle towing requirements. Recommended off-road towing is not to exceed **15 MPH** or less depending on type of terrain.
- Place **chocked blocks** underneath wheels to prevent **rolling**, while parked, if disconnected from towing vehicle.
- Inflate tires to correct pressure, inspect tires for cuts, and excessive wear. See Table 9 (Tire Wear Troubleshooting).
- When towing of the mixer is required, place the drum in the up position (mouth facing upwards).
- Avoid sharp turns to prevent rolling.

- **ALWAYS** make sure that the fuel valve lever is in the **OFF** position (gasoline models only).
 - Check wheel mounting lug nuts with a torque wrench. Torque wheel lug nuts as described in the maintenance section of this manual.
 - Check tightness of axle mounting hardware, torque suspension hardware as referenced in the maintenance section of this manual.
 - Avoid sudden stops and starts. This can cause skidding, or jackknifing. Smooth, gradual starts and stops will improve gas mileage.
- DO NOT** tow or lift the mixer unless the mixing drum is completely empty.

CAUTION

If the mixer tow bar is deformed or damaged replace entire tow bar. **NEVER** tow the mixer with a defective tow bar. There exist the possibility of the trailer separating from the **towing vehicle**.

TOW BAR TO VEHICLE (COUPLER ONLY)

1. Check the vehicle hitch ball, and mixer's coupler for signs of wear or damage. Replace any parts that are worn or damaged before towing.
2. Use only a 2-inch ball diameter (towing vehicle), this will match the mixer's 2-inch coupler. Use of any other ball diameter will create an extremely dangerous condition which can result in separation of the coupler and ball or ball failure.
3. After tow bar has been connected to mixer (see next page), attach mixer's coupler to the hitch ball on the towing vehicle securely and make sure the lock lever is in the down position (locked).

MIXER TOW BAR VEHICLE (PINTLE AND LOOP)

1. Make sure the bumper on the towing vehicle is equipped to handle either a pintle or loop type tow bar configuration.
2. After tow bar has been connected to mixer (see next page), secure either type of tow bar to the towing vehicle, following state and county towing regulations
3. As a minimum, use a 1/2-inch bolt and nylock nut grade 5 when securing either tow bar to the towing vehicle.

SAFETY CHAIN CONNECTION

CAUTION

NEVER tow the mixer with the safety chain removed. The safety chain is intended to prevent complete separation of the mixer from the towing vehicle in the event of a tow bar failure.

TOW BAR TO MIXER CONNECTION

1. Insert the tow bar through the round opening at the bottom of the mixer stand (Figure 7).

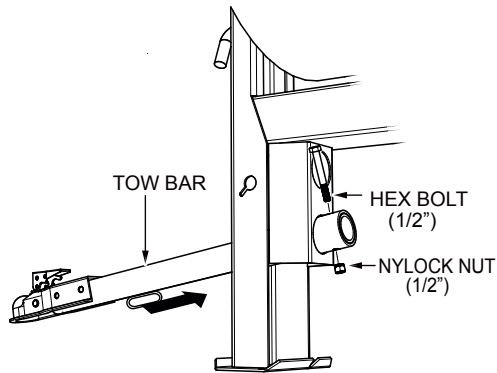


Figure 7. Inserting Tow Bar

2. Align the hole on the tow bar with the hole on the mixer frame (Figure 7), and insert 1/2-inch bolt through tow bar and frame. Secure tow bar to frame with 1/2-inch nylock nut. Tighten to 40 ft.-lbs.
3. Route the safety chain through the holes just above the tow bar, located on each side of the mixer stand.

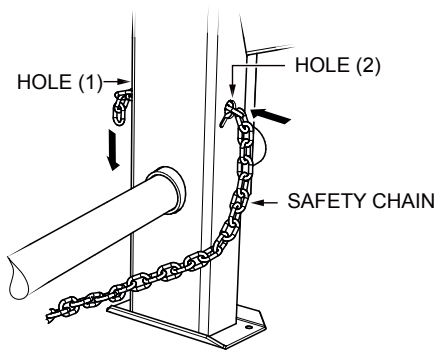


Figure 8. Attaching Safety Chains to Mixer Stand

4. Loop (cross) the safety chain (Figure 9) and place under the tow bar. Secure the loop with the safety chain connector link.

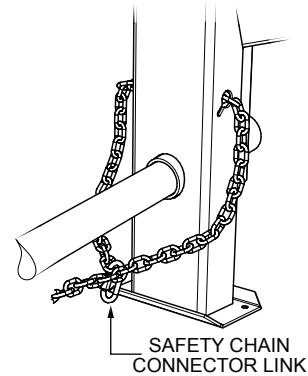


Figure 9. Crossing The Safety Chain

5. Extend the safety chain along the length of the tow bar (Figure 10), looping it through the tow bar's connector link. Remove any excess chain slack.

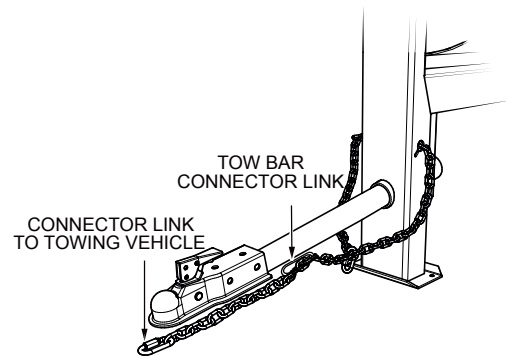


Figure 10. Extending Safety Chain

6. Connect the free end of (connector link) the safety chain to the towing vehicle (Figure 10). Remember it is critical that the length of the chain be properly adjusted, to prevent the draw bar and the front of the mixer stand from dropping to the the ground (contact) in the event the draw bar becomes disconnected from the towing vehicle.

CAUTION

Use a lifting device to lift tow bar onto vehicle coupler. If lifting device is not available, have two persons of similar height lift the tow bar. When lifting, do not attempt to lift by bending forward. Bend hips and knees to squat down to your load, keep it close to your body, and straighten your legs to lift.

Adjust paddles as shown in Figure 11.

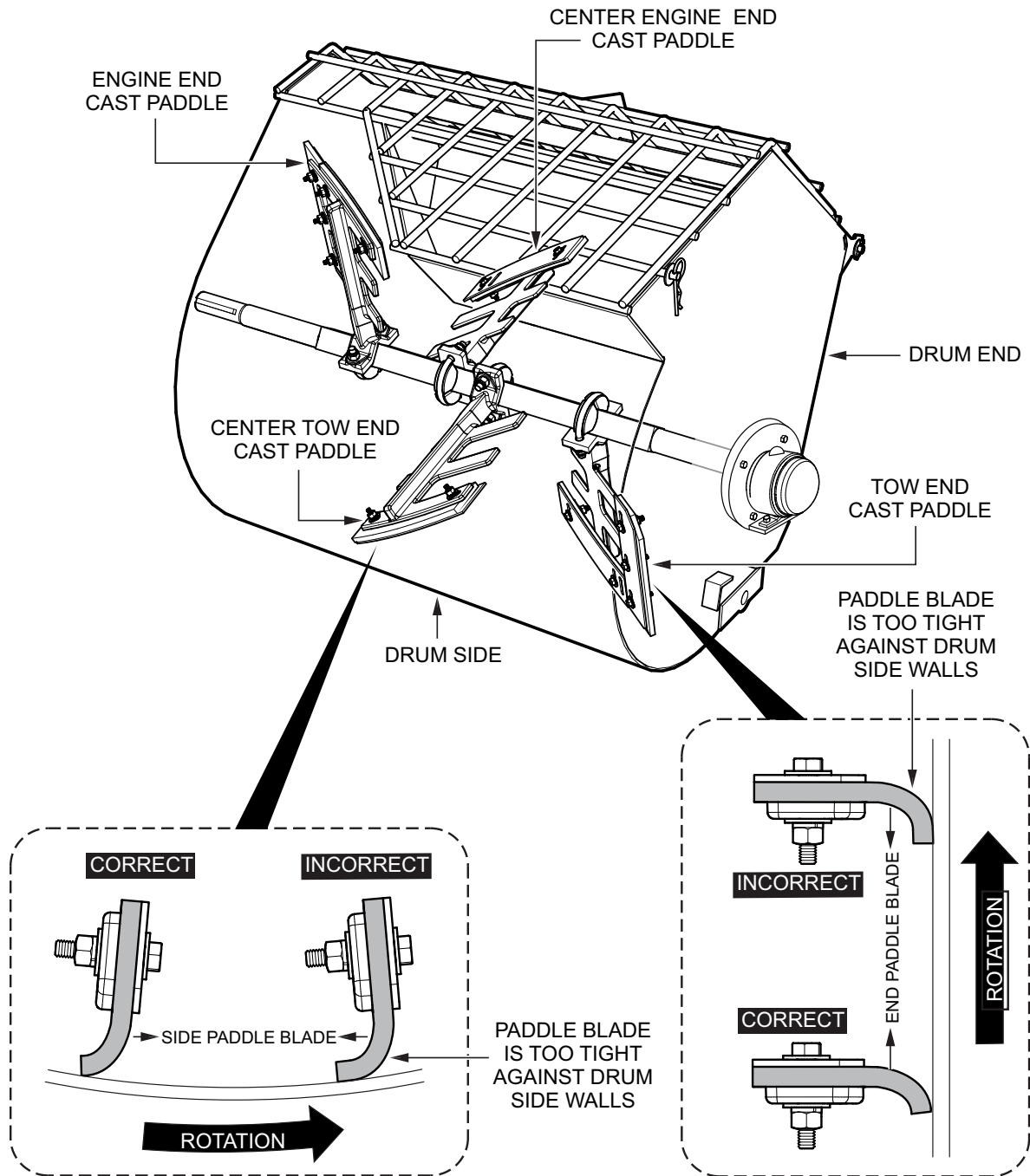


Figure 11. Paddle Blade Adjustment

BEFORE STARTING

1. Read all safety instructions at the beginning of manual.
2. Clean the unit, removing dirt and dust, particularly the engine cooling air inlet, carburetor and air cleaner.
3. Check the air filter for dirt and dust. If air filter is dirty, replace air filter with a new one as required.
4. Check carburetor for external dirt and dust. Clean with dry compressed air.
5. Check fastening nuts and bolts for tightness.

CAUTION



ALWAYS wear approved eye and hearing protection while operating the mixer.

CAUTION



NEVER place hands or feet inside the engine guard cover while the engine is running. **ALWAYS** shut the engine down before performing any kind of maintenance service on the mixer.

ENGINE OIL CHECK

1. To check the engine oil level, place the unit on secure level ground with the engine stopped.
2. Remove the filler dipstick from the engine oil filler hole (Figure 12) and wipe it clean.

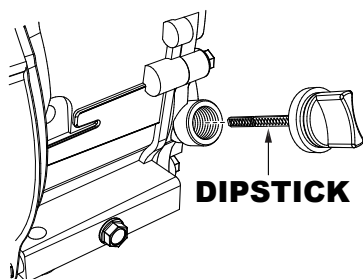


Figure 12. Engine Oil Dipstick (Removal)

3. Insert and remove the dipstick without screwing it into the filler neck. Check the oil level shown on the dipstick.
4. If the oil level is low (Figure 13), fill to the edge of the oil filler hole with the recommended oil type (Table 6). Reference Table 3 for engine oil capacity.

NOTICE

Reference engine manufacturer's manual for specific servicing instructions.

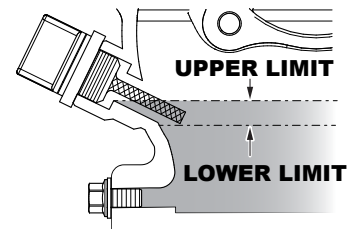


Figure 13. Engine Oil Dipstick (Oil Level)

Table 6. Engine Oil Type

Season	Temperature	Oil Type
Summer	25°C or Higher	SAE 10W-30
Spring/Fall	25°C ~ 10°C	SAE 10W-30/20
Winter	0°C or Lower	SAE 10W-10

FUEL CHECK

DANGER



If your mixer has a gasoline engine, determine if the engine fuel is low. If fuel is low, remove the fuel filler cap and fill it with **unleaded** gasoline. Motor fuels are **highly flammable** and can be dangerous if mishandled. **DO NOT** smoke while refueling. **DO NOT** attempt to refuel the mixer if the engine is **hot!** or **running**.

CAUTION

NEVER! disable or disconnect the **start/stop switch**. It is provided for operator safety. Injury may result if it is disabled, disconnected or improperly maintained.

1. Remove the gasoline cap located on top of fuel tank.
2. Visually inspect to see if fuel level is low. If fuel is low, replenish with unleaded fuel.
3. When refueling, be sure to use a strainer for filtration. **DO NOT** top-off fuel. Wipe up any spilled fuel immediately.

PADDLE BLADE CHECK

Check for **worn** or **defective** paddle blades (Figure 14). Make sure that all blades are adjusted properly. See blade adjustment procedure in this manual. Replace all defective or damaged blades immediately using the part numbers referenced in the parts section of this manual.

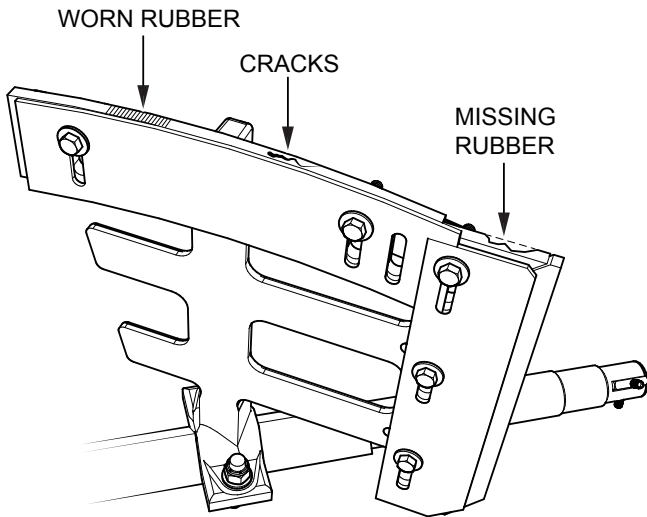


Figure 14. Worn Mixing Blade

TIRES

Check for **worn** or **defective** tires (Figure 15). Replace any defective or worn tires immediately.

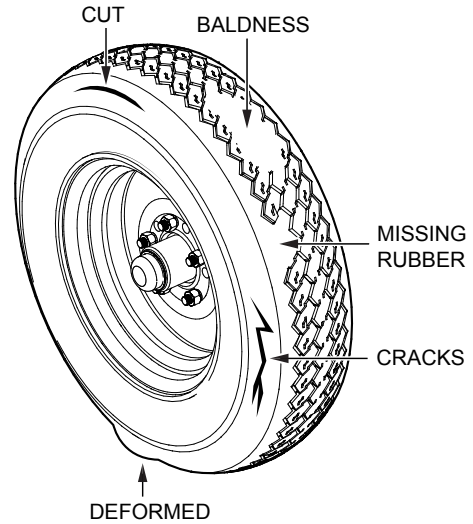


Figure 15. Tire Wear

This section is intended to assist the operator with the initial start-up of the unit. It is extremely important that this section be read carefully before attempting to use the mixer in the field. **DO NOT** use your mixer until this section is thoroughly understood.



WARNING

Failure to understand the operation of the mixer could result in severe damage to the mixer or personal injury. Reference Figure 3 and Figure 4 for the location of any components referenced in this manual.

CAUTION



NEVER operate the mixer in a confined area or enclosed area structure that does not provide ample free flow of air.

STARTING THE MIXER (GASOLINE ENGINE)

The following steps outline the procedure for starting the engine.

1. Place the fuel shut-off lever (Figure 16) in the **ON** position.

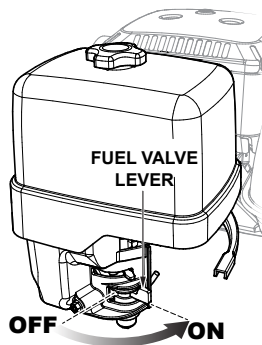


Figure 16. Fuel Shut-Off Lever (ON)

2. To start a cold engine, move the choke lever (Figure 17) to the **CLOSED** position.

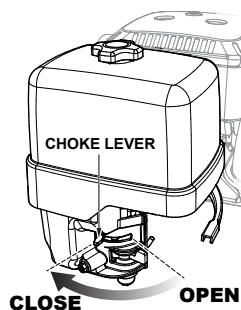


Figure 17. Choke Lever

3. Move the throttle lever (Figure 18) away from the slow position, about 1/3 of the way toward the fast position.

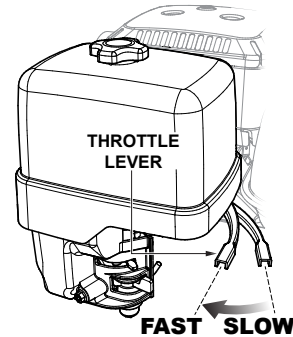


Figure 18. Throttle Lever

4. Turn the engine switch (Figure 19) to the **ON** position.

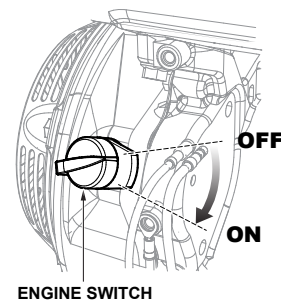


Figure 19. Engine On/Off Switch

5. Located at the rear of the mixer frame is the main **start/stop** button (Figure 20). Pull this button outward to start the engine.

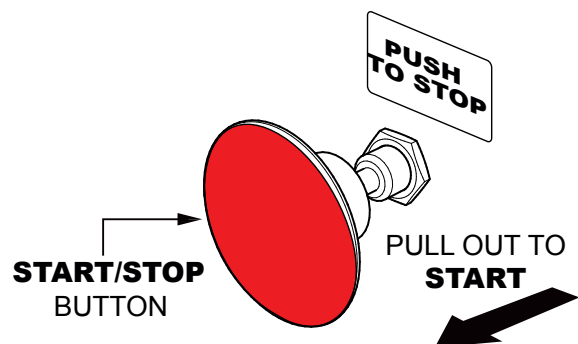


Figure 20. Engine Start/Stop Button

START-UP/OPERATION

- Place the belt slip lever (Figure 16) in the **START/STOP** (disengaged) position.

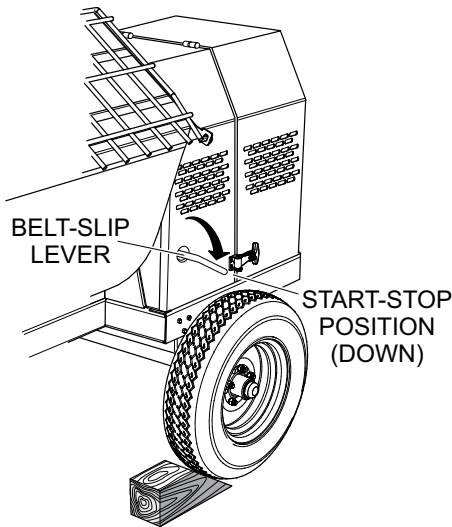


Figure 21. Belt Slip Lever (Start/Stop Position)

NOTICE

Orientation of the drum stop block is viewed from the mixer from the tow-pole end. Stop block the is welded to the front side of the drum.

- Pull the drum latch pin (Figure 22) and place on the **left-side** (mixing position) of the stop block. Stop block is welded to the drum.

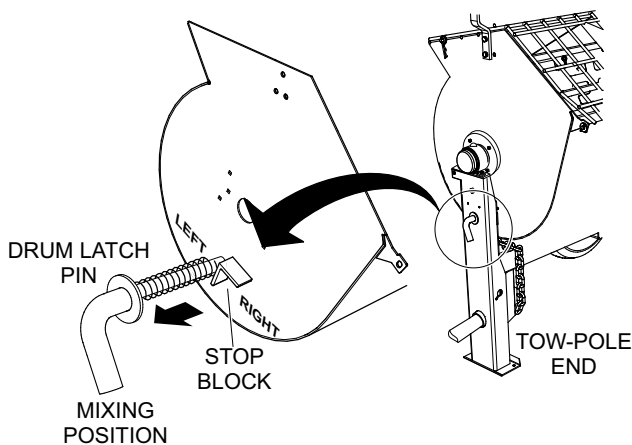


Figure 22. Drum Lock Pin (Mix Position)

- Once pin has been positioned, release pin. Make sure lock pin is fully engaged (locked). Mixing drum can now be rotated.
- Pull the **starter grip** (Figure 23) lightly until you feel resistance, then pull briskly. Return the starter grip gently.

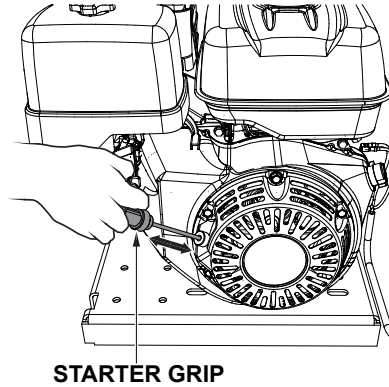


Figure 23. Starter Grip

STARTING THE MIXER (ELECTRIC MOTOR)

The following steps outline the procedure for starting the electric motor.

- Using an adequate size extension cord (Table 7), connect one end of the extension cord to the plug on the electric motor, connect the other end to the power source. Make sure the motor is configured for the proper operating voltage.

Table 7. Recommended Extension Cord Size

Electric Motor	Input Voltage	50 ft. (15.24 m)	75 ft. (22.86 m)	100 ft. (30.48 m)	200 ft. (60.96 m)
1.5 HP	120 VAC	No. 12	No. 10	No. 8	No. 6
	240 VAC	No. 14	No. 12	No. 12	No. 8

CAUTION: Equipment damage can result from low voltage

NOTICE

Extensions cords must be rated "**Heavy Duty**" or "**Extra Heavy Duty**" and must be a continuous length.

OPERATION

2. To start the electric motor (Figure 24), place the **ON/OFF** switch in the **ON** position.

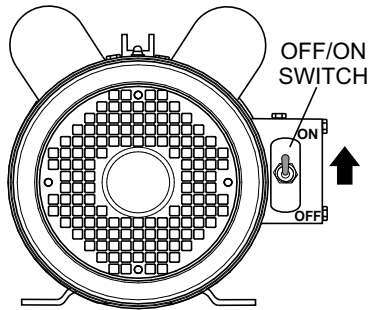


Figure 24. Electric Motor ON/START Switch

MIXING

1. Place the belt slip lever (Figure 20) in the mix position. This will tilt the engine placing tension on the V-belts enabling the shaft to rotate.

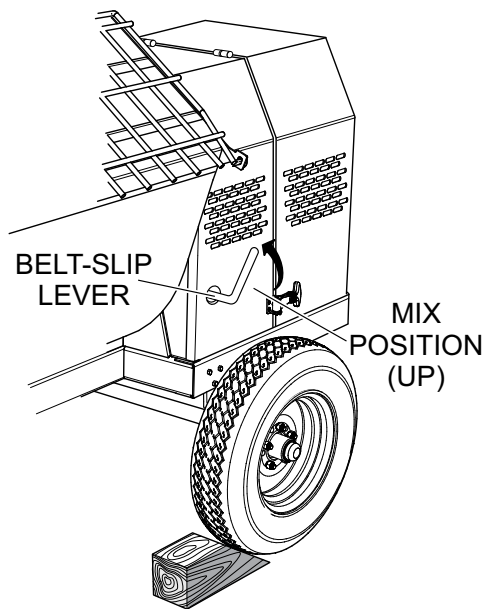


Figure 25. Clutch Engagement Lever

2. The paddle shaft inside the drum should be rotating at this time.

3. Add a small amount water to the mixing drum (Figure 26).
4. Lift the mixing bag compound (Figure 26) onto the steel safety grate over the **bag cutter** and let the contents fall into the drum. Add more water if desired and mix compound to desired consistency.

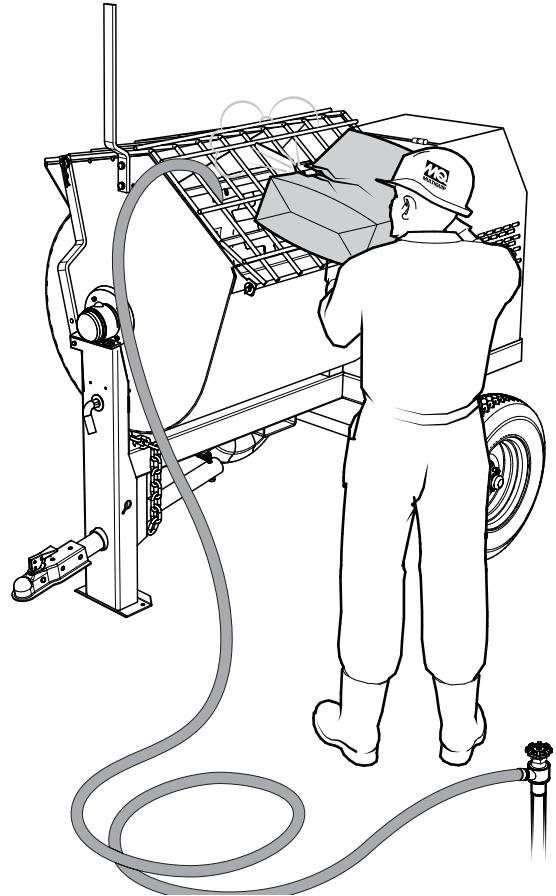


Figure 26. Filling Mixing Drum

OPERATION

DUMPING

CAUTION



NEVER stand in *front* or *behind* the mixing drum while it is being placed in the *dump position*. Stay clear of the mixing drum while it is being positioned.

1. Pull down on the dump handle (Figure 27) to place the drum in *dump* position.

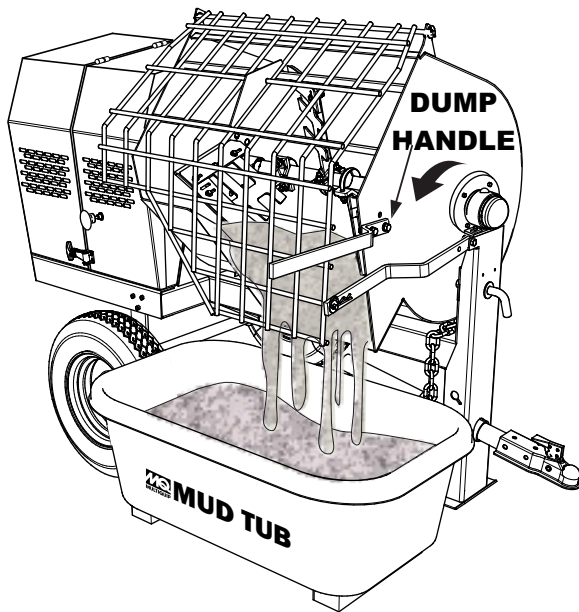
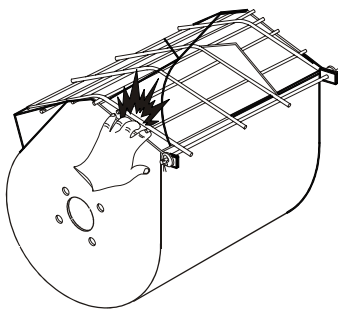


Figure 27. Dump Handle

WARNING

When rotating the mixing drum from the dump position to the upright position, **keep hands clear of safety grate**. The possibility exists of hands or fingers being crushed.



2. Pull upward on the dump handle (Figure 27) to place the drum in the *upright* position.

STOPPING THE MIXER (GASOLINE ENGINE)

1. Place the throttle lever (Figure 28) in the slow (idle) position, and let the engine idle 3-5 minutes.

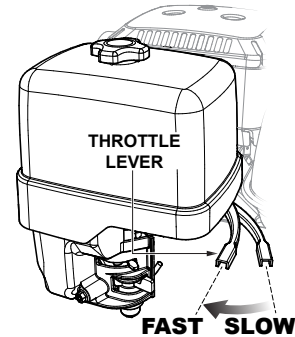


Figure 28. Throttle Lever (Idle)

2. Push the engine **start/stop** switch (Figure 29) inward to stop the engine.

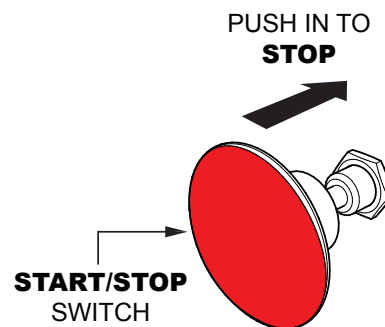


Figure 29. Start/Stop Button (Stop Position)

3. Place fuel shut-off lever (Figure 30) in the **OFF** position.

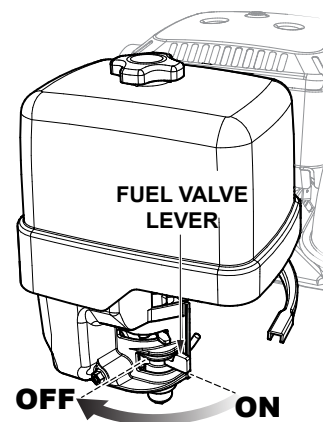


Figure 30. Fuel Shut-Off Lever (OFF)

STOPPING THE MIXER (ELECTRIC MOTOR)

1. To turn off the electric motor (Figure 31), place the **ON/OFF** switch in the **OFF** position. .

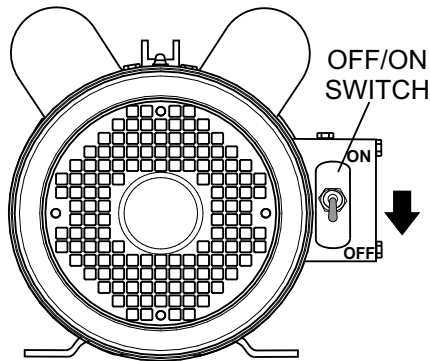


Figure 31. Electric Motor OFF/STOP Switch

2. Remove extension cord from electric motor plug.

CLEANING THE MIXER

CAUTION

ALWAYS make sure the mixer drum is clean and free of debris or and dried material. **DO NOT** allow material build up inside the drum.

Keep the drum, frame and wheels clean. Excess debris (build up of materials) can lead to premature metal fatigue.

1. Clean the entire mixer as referenced in the maintenance section of this manual.

CAUTION

To prevent the drum from tipping, make certain the drum lock pin (Figure 22) is placed to the **RIGHT** (when viewing the mixer from the tow-pole end) of the drum stop block which is welded to the front side of the drum. Also make sure lock pin is fully engaged (locked).

2. When transporting of the mixer is require, make sure the drum is empty and the drum lock pin (Figure 32) is placed in the locked position.

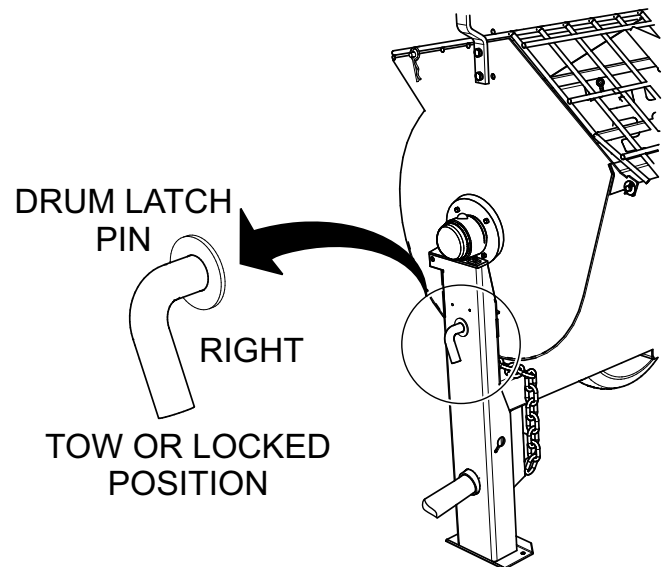


Figure 32. Drum Lock Pin (Locked Position)

MAINTENANCE (ENGINE)

Use Table 8 as a general maintenance guideline when servicing your engine. For more detail engine maintenance information, refer to the engine owner's manual supplied with your engine.

Table 8. Engine Maintenance Schedule							
DESCRIPTION (3)	OPERATION	BEFORE	FIRST MONTH OR 10 HRS.	EVERY 3 MONTHS OR 25 HRS.	EVERY 6 MONTHS OR 50 HRS.	EVERY YEAR OR 100 HRS.	EVERY 2 YEARS OR 200 HRS.
Engine Oil	Check	X					
	Change		X				
Air Cleaner	Check	X					
	Change			X (1)			
All Nuts and Bolts	Re-tighten if necessary	X					
Spark Plugs	Check/Clean				X		
	Replace						X
Cooling Fins	Check				X		
Spark Arrester	Clean					X	
Fuel Tank	Clean					X	
Fuel Filter	Check					X	
Idle Speed	Check/ Adjust					X (2)	
Valve Clearance	Check/ Adjust						X (2)
Fuel Lines	Check	Every 2 years (replace if necessary) (2)					

(1) Service more frequently when used in **DUSTY** areas.

(2) These items should be serviced by your service dealer, unless you have the proper tools and are mechanically proficient. Refer to the HONDA Shop Manual for service procedures.

(3) For commercial use, log hours of operation to determine proper maintenance intervals.

MAINTENANCE (ENGINE)

MAINTENANCE

Perform the scheduled maintenance procedures as defined by Table 8 and below:

DAILY

- Thoroughly remove dirt and oil from the engine and control area. Clean or replace the air cleaner elements as necessary. Check and retighten all fasteners as necessary.

WIRING

Inspect the entire mixer for bad or worn electrical wiring or connections. If any wiring or connections are exposed (insulation missing) replace wiring immediately.

PIPING AND HOSE CONNECTION

Inspect all piping, oil hose, hydraulic hose and fuel hose connections for wear and tightness. Tighten all hose clamps and check for leaks. If any hose lines are defective replace them immediately.

FUEL STRAINER (IF EQUIPPED)

1. Thoroughly clean the area around the fuel cap.
2. Remove the fuel cap from the fuel tank.
3. Next, remove, inspect and clean the fuel filter (Figure 33) with solvent.

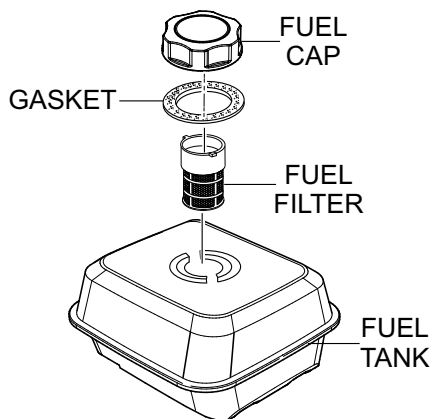


Figure 33. Fuel Strainer

SPARK PLUG

1. Remove and clean the spark plug (Figure 34), then adjust the spark gap to 0.024 ~0.028 inch (0.6~0.7 mm). This unit has electronic ignition, which requires no adjustments.

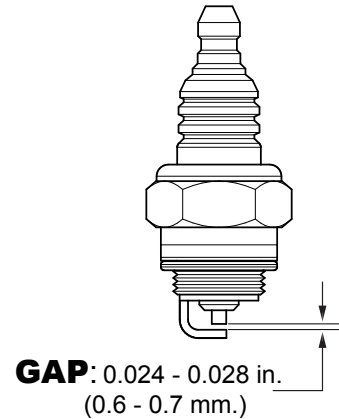


Figure 34. Spark Plug Gap

ENGINE OIL

1. Drain the engine oil when the oil is warm as shown in Figure 35.
2. Unscrew the oil filler dipstick from its holder.
3. Next, remove oil drain bolt and sealing washer and allow the oil to drain into a suitable container.
4. Replace engine oil with recommended type oil as listed in Table 6. For engine oil capacity, see Table 3 (Engine Specifications). **DO NOT** overfill.
5. Install drain bolt with sealing washer and tighten securely.

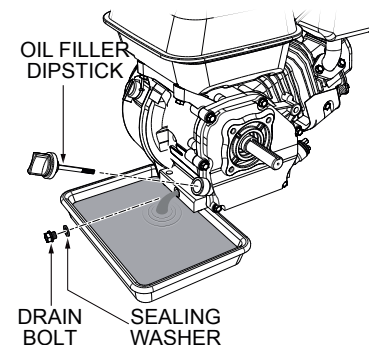


Figure 35. Draining Engine Oil

MAINTENANCE (ENGINE)

ENGINE AIR CLEANER

1. Remove the air cleaner cover and foam filter element as shown in Figure 36.
2. Tap the paper filter element (Figure 36) several times on a hard surface to remove dirt, or blow compressed air [not exceeding 30 psi (207 kPa, 2.1 kgf/cm²)] through the filter element from the air cleaner case side. **NEVER** brush off dirt. Brushing will force dirt into the fibers. Replace the paper filter element if it is excessively dirty.
3. Clean foam element in warm, soapy water or nonflammable solvent. Rinse and dry thoroughly. Dip the element in clean engine oil and completely squeeze out the excess oil from the element before installing.

DANGER

DO NOT use gasoline as a cleaning solvent to avoid creating the risk of fire or an explosion.

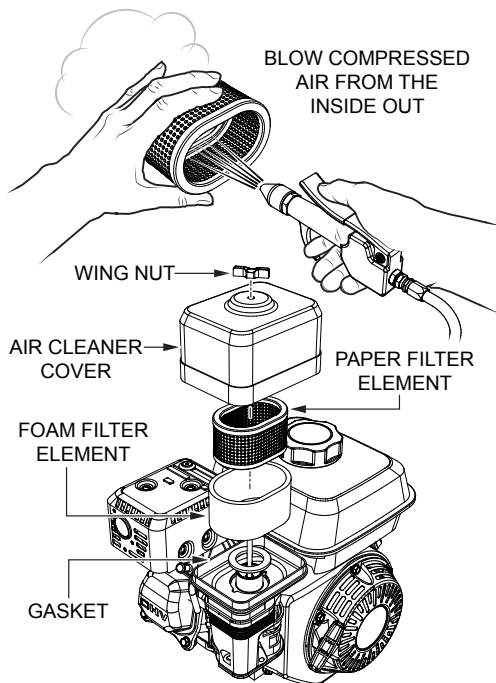


Figure 36. Engine Air Cleaner

SPARK ARRESTER CLEANING

Clean the spark arrester every 6 months or 100 hours.

1. Remove the 4 mm screw (3) from the exhaust deflector (Figure 37), then remove the deflector.

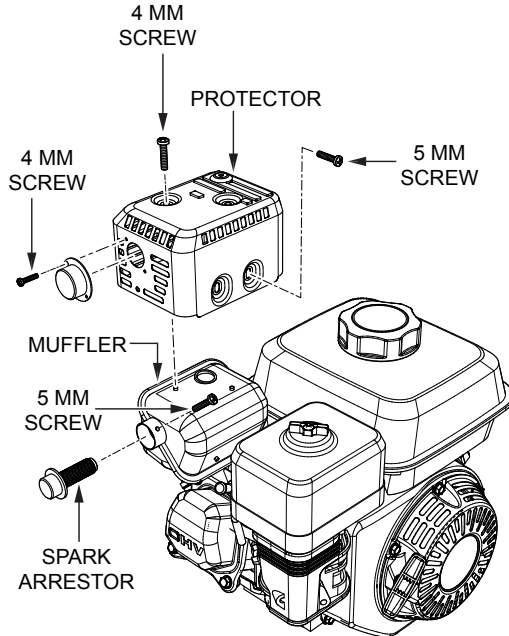


Figure 37. Spark Arrester

2. Remove the 5 mm screw (4) from the muffler protector, then remove the muffler protector.
3. Carefully remove carbon deposits from the spark arrester screen (Figure 38) with a wire brush

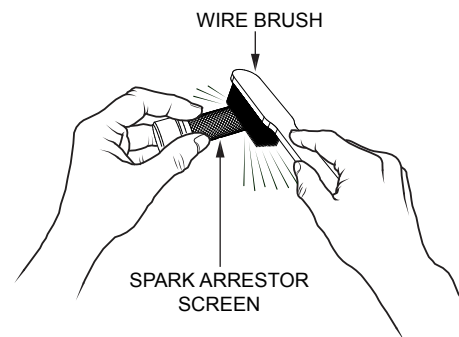


Figure 38. Cleaning The Spark Arrester

4. If the spark arrester is damaged and has breaks or holes, replace with a new one.
5. Reinstall the spark arrester and muffler protector in reverse order of disassembly.

MAINTENANCE (MIXER)

DRUM HEAD SEALS

There is 1 set of drum head seals (Figure 39) that will require lubrication. Lubricate the grease fitting for each drum seal **every 40 hours of operation** using any grade lithium base grease. Apply grease until visible inside of mixing drum (over grease). This will purge seal system of contamination.

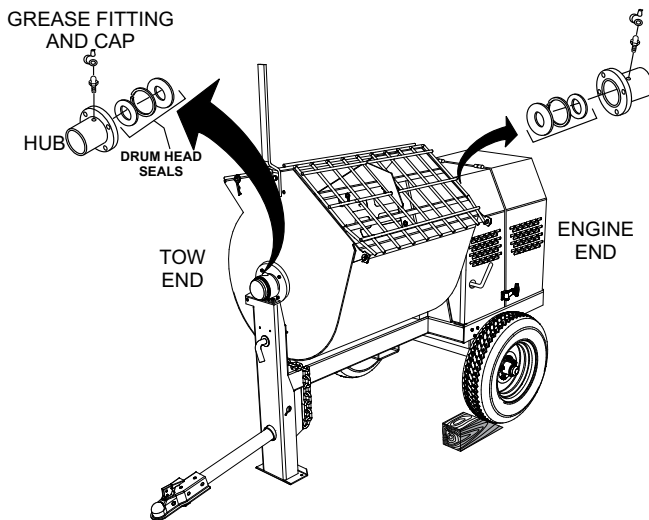


Figure 39. Grease Fittings (Drum Head Seals)

DRUM SUPPORT BRACKET LUBRICATION

NOTICE

Failure to lubricate the zerk grease fittings two or three times a **month** will cause the dumping mechanism to stiffen, making the mixer hard to dump.

There is 1 set of drum support brackets (Figure 40) that will require lubrication. These brackets are intended to make the drum rotate freely. Lubricate the grease fitting for each drum support bracket **every month or when the drum becomes difficult to position** using multi-purpose grade grease.

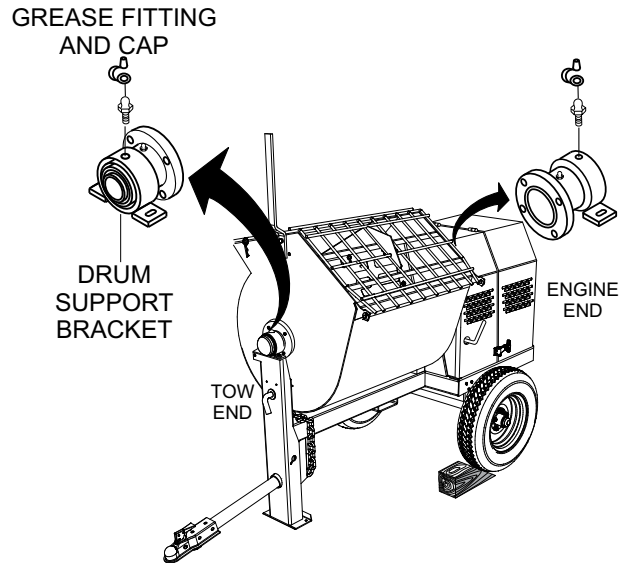


Figure 40. Grease Fittings (Dumping Mechanism)

BALL SOCKET AND CLAMP FACE MAINTENANCE

1. If the towing vehicle is equipped with a ball socket, smear socket periodically with multi-purpose grease. This will keep the ball socket well lubricated.
2. Periodically oil **pivot points** and **clamp face** surfaces of coupler with SAE 30 WT. motor oil.
3. When parking or storing your mixer. Keep the coupler off the ground so dirt will not build up in the ball socket.

COUNTERSHAFT BEARING LUBRICATION

There is 1 set of countershaft bearings () that will require lubrication. Lubricate the grease fitting for each countershaft **bearing every 40 hours of operation** using any grade lithium base grease.

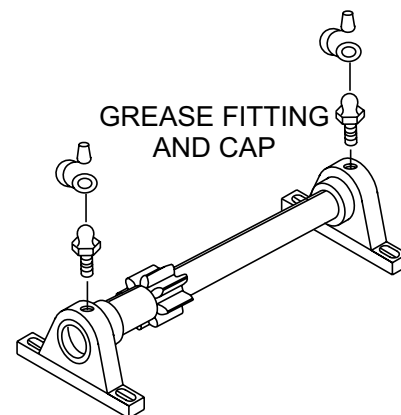


Figure 41. Grease Fittings (Countershaft)

MAINTENANCE (MIXER)

WHEEL BEARINGS

1. After **every 3 months** of operation, remove the hub dust cap and inspect the wheel bearings (Figure 42). Once a year, or when required, disassemble the wheel hubs remove the old grease and repack the bearings forcing grease between rollers, cone and cage with a good grade of high speed wheel bearing grease (never use grease heavier than 265 A.S.T.M. penetration ("No. 2.")).

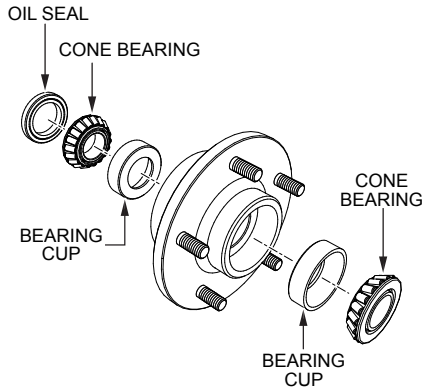


Figure 42. Wheel Hub and Bearings

2. Fill the wheel hub (Figure 42) with grease to the inside diameter of the outer races and also fill the hub grease cap. Reassemble the hub and mount the wheel. Then tighten the adjusting nut, at the same time turn the wheel in both directions, until there is a slight bind to be sure all the bearing surfaces are in contact.

Then back-off the adjusting nut 1/6 to 1/4 turn or to the nearest locking hole or sufficiently to allow the wheel to rotate freely within limits of .001" to .010" end play. Lock the nut at this position. Install the cotter pin and dust cap, and tighten all hardware.

MAIN GEAR AND DRIVE PINION ALIGNMENT

1. **Disconnect the spark plug wire** (gasoline engines). If mixer is equipped with an electric motor **remove power cord from AC power receptacle**. In addition make sure the clutch engagement lever is dis-engaged to relieve V-belt tension.
2. The countershaft and drive pinion are mounted on a slotted base. To align drive pinion with main gear, loosen the pillow block mounting bolts and move them until the necessary alignment has been made. Remember gears must be paralleled aligned not skewed.

3. Using your hand, slightly move (rock) the drive pulley back and forth to determine the amount of backlash. Insert feeler gauge between gears to determine backlash distance. Backlash should range between 0.007- 0.012 inches (Figure 43).

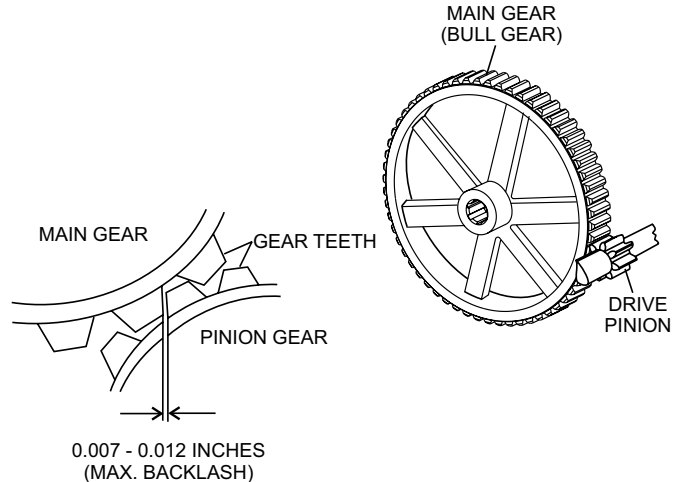


Figure 43. Drive Pinion and Main Gear (Backlash)

INSPECT TOOTH CONTACT BETWEEN MAIN GEAR AND DRIVE PINION

1. Coat 3 or 4 teeth at 3 different positions on the main gear with yellow paint.
2. Rotate the drive pulley in both directions.
3. Inspect the tooth pattern.
4. If gear teeth are not contacting properly (Figure 44), adjust pillow block to correct the problem.

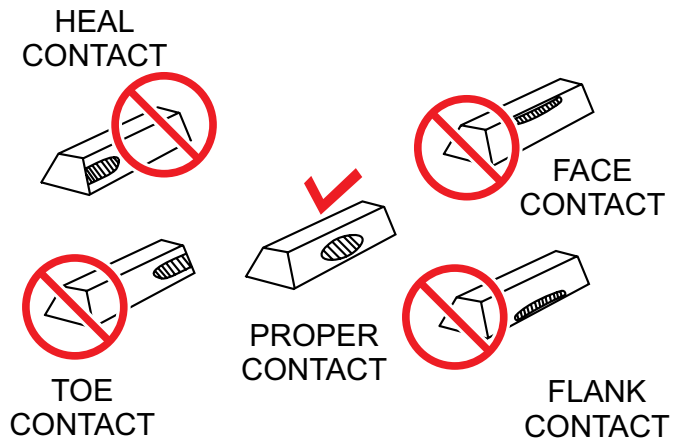


Figure 44. Gear Teeth Alignment

MAINTENANCE (MIXER)

MIXER CLEANING

It is important that the drum interior is free of dried material. Obstructions can cause the paddle blades to lock against the drum.

1. Push the “**Engine Stop**” button inward to the **OFF** position to stop the engine.
2. Place the clutch engagement lever (Figure 25) in the **disengage** position.
3. **ALWAYS disconnect the spark plug wire** (gasoline engines) before cleaning the inside of the drum. If mixer is equipped with an electric motor **remove power cord from AC power source**. In addition make sure the clutch engagement lever is **disengaged**.
4. Place “**Do Not Operate**” tag on mixer.
5. Make sure the rear section of safety grate is connected to the mixing drum.
6. At the end of each day’s operation, place mixer drum in an upright position and spray inside of tub immediately with water to prevent lumps of dried mortar or plaster from forming and contamination of future batches.
7. **DO NOT** allow a buildup of materials to form on the blades or anywhere inside the drum.
8. Rotate mixer to **dump** position and remove debris.
9. **Thoroughly clean** the entire mixer, wheels, cabinet and frame.

10. **NEVER!** pour or spray water over the engine or electric motor (Figure 45).

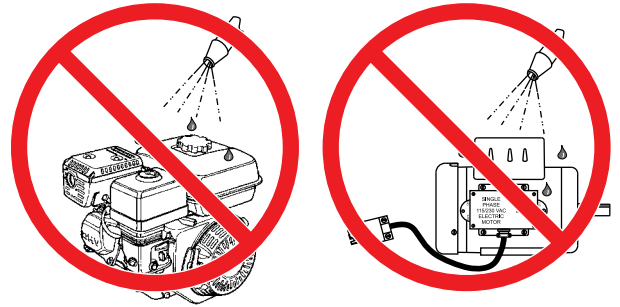


Figure 45. No Spraying of Water

11. When cleaning of the entire mixer is done, return mixing drum to an upright position..

TIRES/WHEELS/LUG NUTS

Tires and wheels are a very important and critical components of the trailer. When specifying or replacing the trailer wheels it is important the wheels, tires, and axle are properly matched.



WARNING



DO NOT attempt to repair or modify a wheel.
DO NOT install an inter-tube to correct a leak through the rim. If the rim is cracked, the air pressure in the inter-tube may cause pieces of the rim to explode (break-off) with great force and can cause serious eye or bodily injury.

MAINTENANCE (MIXER)

Tires Wear/Inflation







Tire inflation pressure is the most important factor in tire life. Pressure should be checked cold before operation. **DO NOT** bleed air from tires when they are hot. Check inflation pressure weekly during use to insure the maximum tire life and tread wear.

Table 9 (Tire Wear Troubleshooting) will help pinpoint the causes and solutions of tire wear problems.

WARNING

ALWAYS wear safety glasses when removing or installing force fitted parts. Failure to comply may result in serious injury.



Table 9. Tire Wear Troubleshooting			
Wear Pattern		Cause	Solution
	Center Wear	Over Inflation	Adjust pressure to particular load per tire manufacturer
	Edge Wear	Under Inflation	Adjust pressure to particular load per tire manufacturer.
	Side Wear	Loss of chamber or overloading	Make sure load does not exceed axle rating. Align wheels.
	Toe Wear	Incorrect toe-in	Align wheels.
	Cupping	Out of balance	Check bearing adjustment and balance tires.
	Flat Spots	Wheel lockup and tire skidding	Avoid sudden stops when possible and adjust brakes.

SUSPENSION

The rigid suspension and associated components (Figure 46) should be visually inspected every 6,000 miles for signs of excessive wear, elongation of bolt holes and loosening of mounting bracket. Replace any damaged suspension component immediately

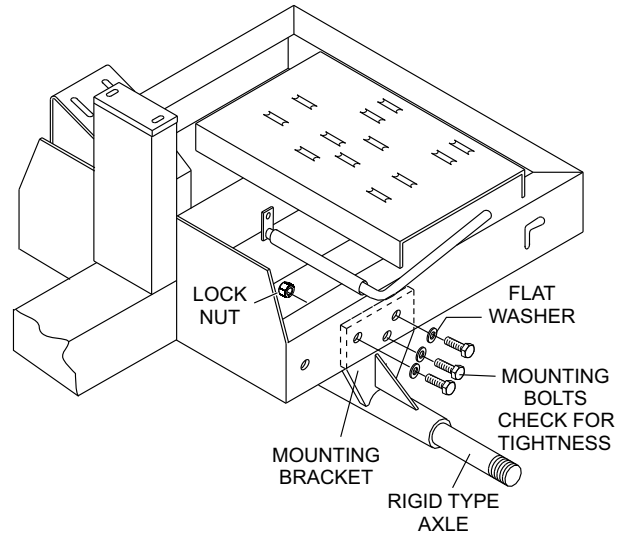


Figure 46. Suspension Components

Lug Nut Torque Requirements

It is extremely important to apply and maintain proper wheel mounting torque. Be sure to use only the fasteners matched to the cone angle of the wheel. Proper procedure for attachment of the wheels is as follows:

1. Start all wheel lug nuts by hand.
2. Torque all lug nuts in sequence. See Figure 47. **DO NOT** torque the wheel lug nuts all the way down. Tighten (torque) each lug nut in 3 separate passes as defined by Table 10.

MAINTENANCE (MIXER)

NOTICE

NEVER use an pneumatic air gun to tighten wheel lug nuts.

- After first road use, retorque all lug nuts in sequence. Check all wheel lug nuts periodically.

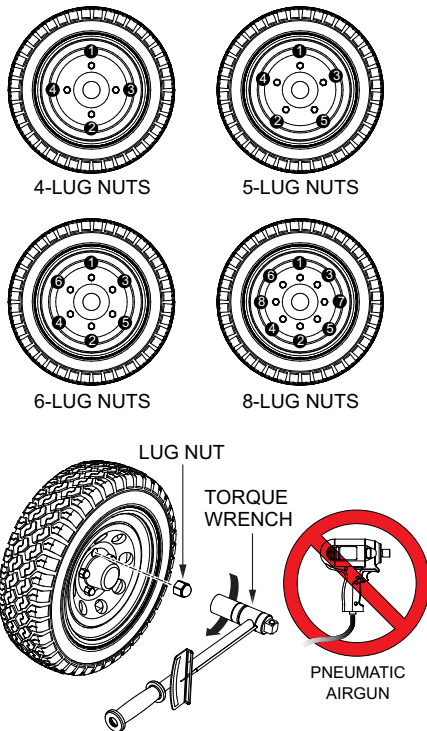


Figure 47. Wheel Lug Nuts Tightening Sequence

Table 10. Tire Torque Requirements

Wheel Size	First Pass FT-LBS	Second Pass FT-LBS	Third Pass FT-LBS
12"	20-25	35-40	50-65
13"	20-25	35-40	50-65
14"	20-25	50-60	90-120
15"	20-25	50-60	90-120
16"	20-25	50-60	90-120

MIXER STORAGE

For storage of the mixer for over 30 days, the following is recommended:

- Drain the fuel tank completely, or add STA-BIL to the fuel.
- Run the engine until the gasoline in the carburetor is completely consumed.
- Completely drain the oil from the crankcase and refill with fresh oil.
- Remove the spark plug, pour 2 or 3 cc of SAE 30 oil into the cylinder and crank slowly to distribute the oil.
- Slowly rotate the engine a few times with the starter rope and install a new plug.
- Pull out the starter rope slowly and stop at the compression point.
- Clean the entire mixer and engine compartment.
- Clean drum of all debris and foreign matter.
- Clean all external parts of the mixer with a cloth.
- Cover the mixer and place it a clean dry area, that is protected from harsh elements.

TROUBLESHOOTING (MIXER/ELECTRIC MOTOR)

Troubleshooting (Mixer)		
Symptom	Possible Problem	Solution
Blades will not rotate.	Material load too heavy, exceeding mixer capability?	Reduce amount of material being mixed.
	Improper engine speed?	Check and adjust engine speed.
	Engine not running or stalls?	Check engine.
	Electric motor not connected.	Check electric motor. Apply power
Paddles rotate too slow	Mixing paddles slipping under load?	Adjust idler wheel tension.
	Worn or stretched V-belts?	Replace V-belts.
Material leaking from drum ends.	Worn or defective paddle shaft seals?	Replace or adjust seals.
Drum difficult to discharge (tilt).	Rubber wiper blades adjusted too tight?	Adjust rubber blades.
	Drum pivot bracket contaminated with dirt?	Grease bracket.
Troubleshooting (Electric Motor)		
Symptom	Possible Cause	Solution
Electric motor will not start.	Is there power?	Check power source. Check reset button.
	Is power cable plugged in?	Plug in power cable.
	Is ON/OFF switch placed in ON position?	Place ON/OFF switch in ON position.
	Defective electric motor ON/OFF switch?	Replace switch.
	Defective motor windings?	Repair windings or replace windings.
	Defective extension cord?	Replace extension cord.
Electric motor continuously stops.	Reset button OK?	Check power source.
Electric motor RPM's too low.	Low voltage?	Check input voltage.
Electric motor RPM's too high.	High voltage?	Check input voltage.

TROUBLESHOOTING (ENGINE)

Troubleshooting (Engine)		
Symptom	Possible Problem	Solution
Difficult to start, fuel is available, but no spark at spark plug.	Spark plug bridging?	Check gap, insulation or replace spark plug.
	Carbon deposit on spark plug?	Clean or replace spark plug.
	Short circuit due to deficient spark plug insulation?	Check spark plug insulation, replace if worn.
	Improper spark plug gap?	Set to proper gap.
	Spark plug is red?	Check transistor ignition unit.
	Spark plug is bluish white?	If insufficient compression, repair or replace engine. If injected air leaking, correct leak. If carburetor jets clogged, clean carburetor.
	No spark present at tip of spark plug?	Check transistor ignition unit is broken, and replace defective unit. Check if voltage cord is cracked or broken and replace. Check if spark plug is fouled. Replace if fouled.
	No oil?	Add oil as required.
	Oil pressure alarm lamp blinks upon starting? (if applicable)	Check automatic shutdown circuit, "oil sensor". (if applicable)
Difficult to start, fuel is available, and spark is present at the spark plug.	ON/OFF switch is shorted?	Check switch wiring, replace switch.
	Ignition coil defective?	Replace ignition coil.
	Improper spark gap, points dirty?	Set correct spark gap and clean points.
	Condenser insulation worn or short circuiting?	Replace condenser.
	Spark plug wire broken or short circuiting?	Replace defective spark plug wiring.
Difficult to start, fuel is available, spark is present and compression is normal.	Wrong fuel type?	Flush fuel system, replace with correct type of fuel.
	Water or dust in fuel system?	Flush fuel system.
	Air cleaner dirty?	Clean or replace air cleaner.
	Choke open?	Close choke.
Difficult to start, fuel is available, spark is present and compression is low.	Suction/exhaust valve stuck or protruded?	Reseat valves.
	Piston ring and/or cylinder worn?	Replace piston rings and/or piston.
	Cylinder head and/or spark plug not tightened properly?	Torque cylinder head bolts and spark plug.
	Head gasket and/or spark plug gasket damaged?	Replace head and spark plug gaskets.
No fuel present at carburetor.	No fuel in fuel tank?	Fill with correct type of fuel.
	Fuel cock does not open properly?	Apply lubricant to loosen fuel cock lever, replace if necessary.
	Fuel filter/lines clogged?	Replace fuel filter.
	Fuel tank cap breather hole clogged?	Clean or replace fuel tank cap.
	Air in fuel line?	Bleed fuel line.
Will not start, no power with key "ON". (if applicable)	ON/OFF device not in ON position?	Place ON/OFF device in ON position.

TROUBLESHOOTING (ENGINE)

Troubleshooting (Engine) - continued		
Symptom	Possible Problem	Solution
Weak in power, compression is proper and does not misfire.	Air cleaner dirty?	Clean or replace air cleaner.
	Improper level in carburetor?	Check float adjustment, rebuild carburetor.
	Defective spark plug?	Clean or replace spark plug.
	Improper spark plug?	Set to proper gap.
Weak in power, compression is proper but misfires.	Water in fuel system?	Flush fuel system and replace with correct type of fuel.
	Dirty spark plug?	Clean or replace spark plug.
	Ignition coil defective?	Replace ignition coil.
Engine overheats.	Spark plug heat value incorrect?	Replace with correct type of spark plug.
	Wrong type of fuel?	Replace with correct type of fuel.
	Cooling fins dirty?	Clean cooling fins.
	Intake air restricted?	Clear intake of dirt and debris. Replace air cleaner elements as necessary.
	Oil level too low or too high?	Adjust oil to proper level.
Rotational speed fluctuates.	Governor adjusted incorrectly?	Adjust governor.
	Governor spring defective?	Replace governor spring.
	Fuel flow restricted?	Check entire fuel system for leaks or clogs.
Recoil starter malfunctions. (if applicable)	Recoil mechanism clogged with dust and dirt?	Clean recoil assembly with soap and water.
	Spiral spring loose?	Replace spiral spring.
Burns too much fuel.	Over-accumulation of exhaust products?	Check and clean valves. Check muffler and replace if necessary.
	Wrong spark plug?	Replace spark plug with manufacturer's suggested type.
Exhaust color is continuously "white".	Lubricating oil is wrong viscosity?	Replace lubricating oil with correct viscosity.
	Worn rings?	Replace rings.
Exhaust color is continuously "black".	Air cleaner clogged?	Clean or replace air cleaner.
	Choke valve set to incorrect position?	Adjust choke valve to correct position.
	Carburetor defective, seal on carburetor broken?	Replace carburetor or seal.
	Poor carburetor adjustment, engine runs too rich?	Adjust carburetor.

EXPLANATION OF CODE IN REMARKS COLUMN

The following section explains the different symbols and remarks used in the Parts section of this manual. Use the help numbers found on the back page of the manual if there are any questions.

NOTICE

The contents and part numbers listed in the parts section are subject to change **without notice**. Multiquip does not guarantee the availability of the parts listed.

SAMPLE PARTS LIST

NO.	PART NO.	PART NAME	QTY.	REMARKS
1	12345	BOLT.....	1	INCLUDES ITEMS W/%
2%		WASHER, 1/4 IN.....		NOT SOLD SEPARATELY
2%	12347	WASHER, 3/8 IN....	1	MQ-45T ONLY
3	12348	HOSE	A/R	MAKE LOCALLY
4	12349	BEARING	1	S/N 2345B AND ABOVE

NO. Column

Unique Symbols — All items with same unique symbol

(@, #, +, %, or >) in the number column belong to the same assembly or kit, which is indicated by a note in the “Remarks” column.

Duplicate Item Numbers — Duplicate numbers indicate multiple part numbers, which are in effect for the same general item, such as different size saw blade guards in use or a part that has been updated on newer versions of the same machine.

NOTICE

When ordering a part that has more than one item number listed, check the remarks column for help in determining the proper part to order.

PART NO. Column

Numbers Used — Part numbers can be indicated by a number, a blank entry, or TBD.

TBD (To Be Determined) is generally used to show a part that has not been assigned a formal part number at the time of publication.

A blank entry generally indicates that the item is not sold separately or is not sold by Multiquip. Other entries will be clarified in the “Remarks” Column.

QTY. Column

Numbers Used — Item quantity can be indicated by a number, a blank entry, or A/R.

A/R (As Required) is generally used for hoses or other parts that are sold in bulk and cut to length.

A blank entry generally indicates that the item is not sold separately. Other entries will be clarified in the “Remarks” Column.

REMARKS Column

Some of the most common notes found in the “Remarks” Column are listed below. Other additional notes needed to describe the item can also be shown.

Assembly/Kit — All items on the parts list with the same unique symbol will be included when this item is purchased.

Indicated by:
 “INCLUDES ITEMS W/(unique symbol)”

Serial Number Break — Used to list an effective serial number range where a particular part is used.

Indicated by:
 “S/N XXXXX AND BELOW”
 “S/N XXXX AND ABOVE”
 “S/N XXXX TO S/N XXX”

Specific Model Number Use — Indicates that the part is used only with the specific model number or model number variant listed. It can also be used to show a part is NOT used on a specific model or model number variant.

Indicated by:
 “XXXXX ONLY”
 “NOT USED ON XXXX”

“Make/Obtain Locally” — Indicates that the part can be purchased at any hardware shop or made out of available items. Examples include battery cables, shims, and certain washers and nuts.

“Not Sold Separately” — Indicates that an item cannot be purchased as a separate item and is either part of an assembly/kit that can be purchased, or is not available for sale through Multiquip.

SUGGESTED SPARE PARTS

WM70P/S PLASTER MOTOR MIXER

1 to 3 units

Qty.	P/N	Description
6	491010	LATCH KIT, CABINET
1	EM202899	PADDLE ARM, TOW END
1	EM202897	PADDLE ARM CTR.TOW END
1	EM202896	PADDLE ARM CTR.ENG END
1	EM202898	PADDLE ARM, ENGINE END
4	EM200297	U-BOLT
3	EM204624	BLADE KIT, RUBBER
3	EM203010	BLADE KIT, STEEL
2	EM914288	OIL SEAL, AXLE
2	EM903113	BEARING, CONE, AXLE
2	EM903112	BEARING, CUP, AXLE
2	20654-001	SEAL, PADDLE SHAFT
2	530029	RING, RETENTION
2	20104-002	SEAL, SHAFT URETHANE
6	508473	V-BELT A37, 5.0 HP
6	505834	V-BELT A36, 8.0 HP
6	491112	V-BELT A40, ELECT. MOTOR
2	29173-001	SWITCH, STOP

NOTICE

Part numbers on this Suggested Spare Parts list may supersede/replace the part numbers shown in the following parts lists.

HONDA GX160/240 SERIES ENGINES

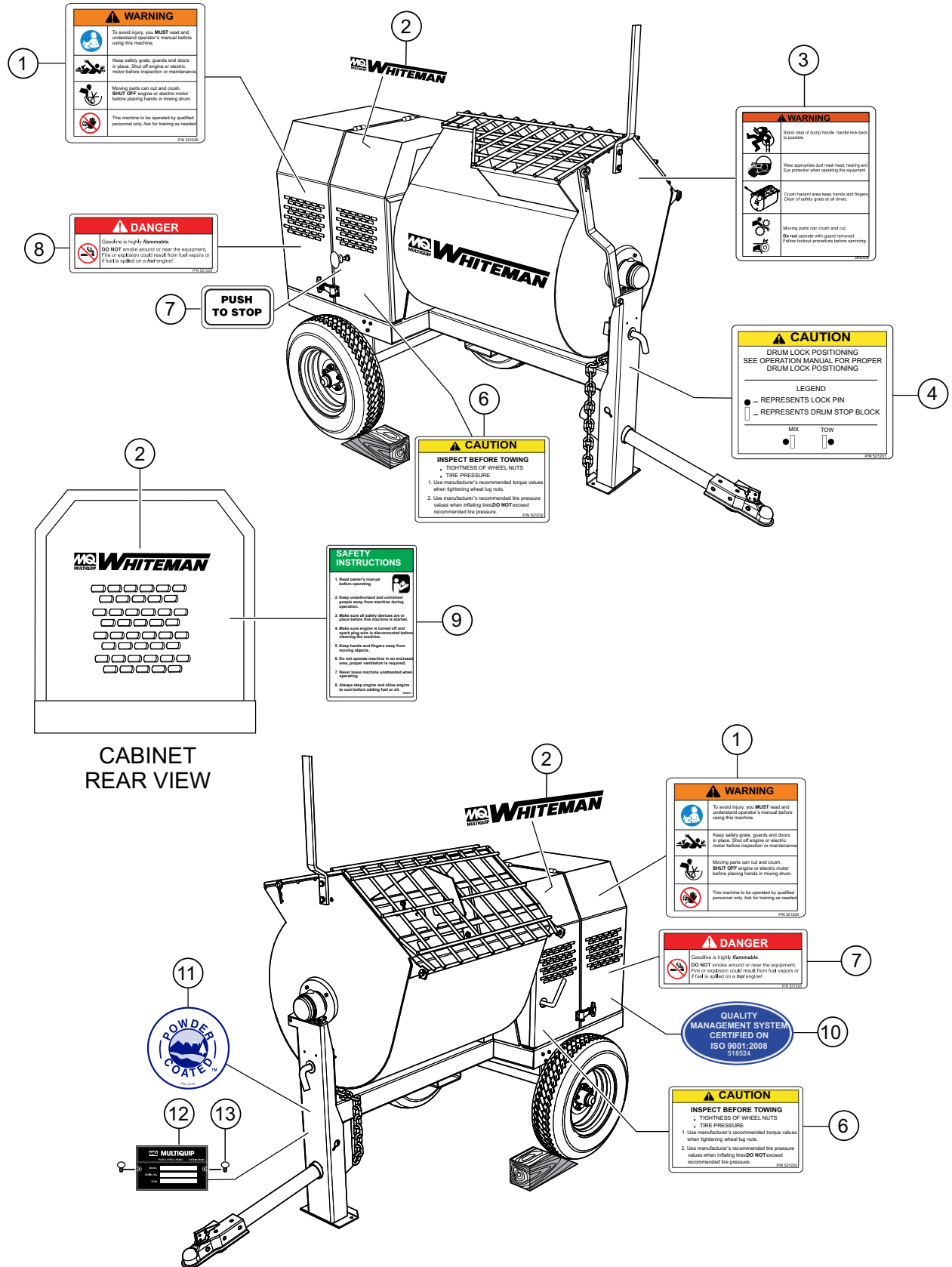
1 to 3 units

3	9807956846	SPARK PLUG
3	9807955846	SPARK PLUG
1	17620ZH7023	TANK CAP
1	17620Z4H020	TANK CAP
3	17210ZE1517	AIR CLEANER ELEMENT
3	17210ZE1822	AIR CLEANER ELEMENT
3	17210ZE2822	AIR CLEANER ELEMENT
3	17218ZE1505	AIR FILTER, OUTER
3	17218ZE1821	AIR FILTER, OUTER
1	28462ZH8003	ROPE, RECOIL
1	28462ZE2W11	ROPE, RECOIL
3	17672ZE2W01	FILTER, FUEL
3	17672880000	FILTER, FUEL
3	17672Z4H000	FILTER, FUEL

NOTICE

- ◆ HONDA GX160K1HX2
- ♣ HONDA GX160UT1HX2
- ♣ HONDA GX240K1HA2 (~S/N 3190917)
- ▶ HONDA GX240K1HA2 (S/N 3118370 ~ 3190916)
- ◇ HONDA GX240UT1HA2

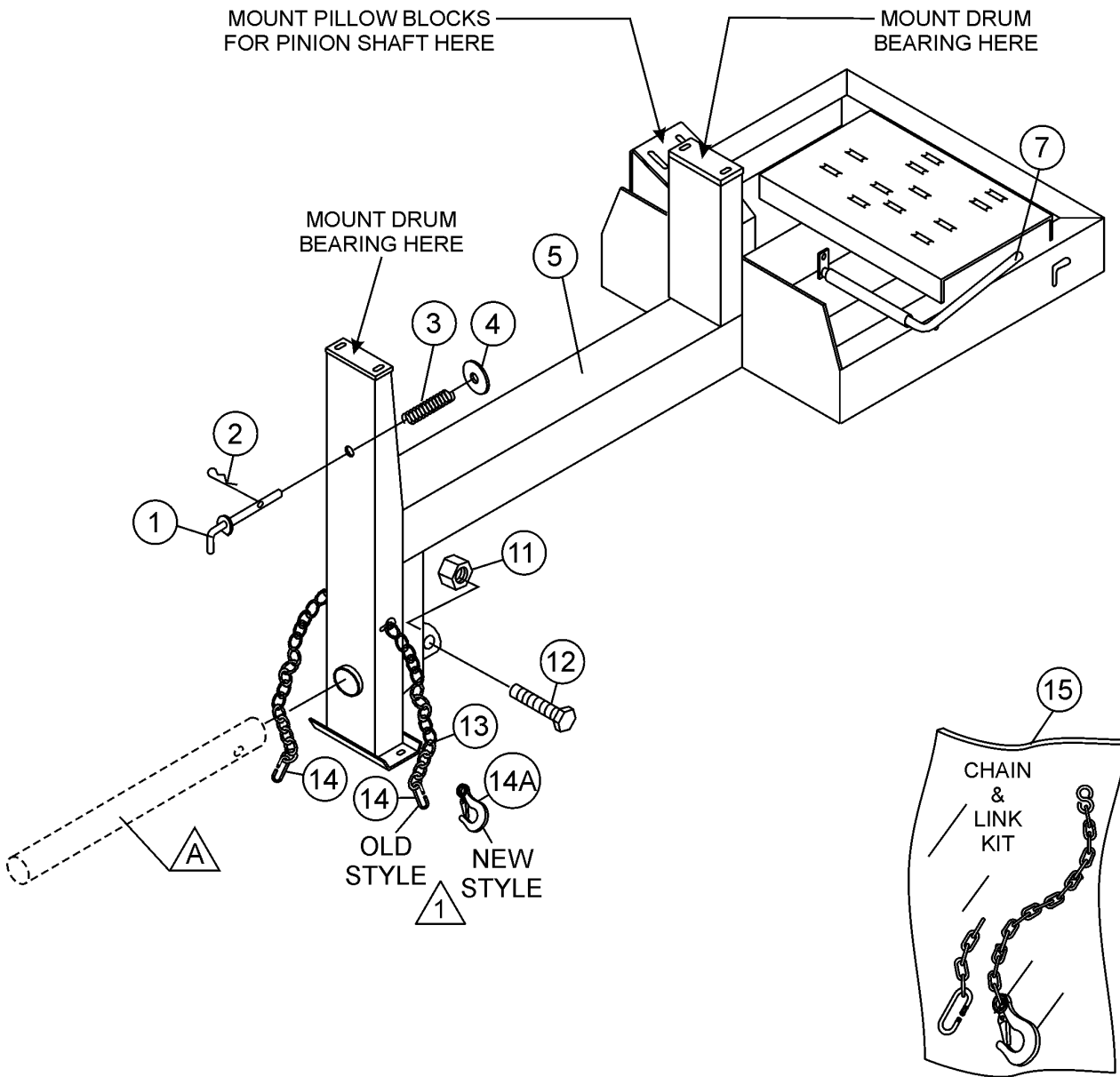
NAMEPLATE AND DECALS ASSY.



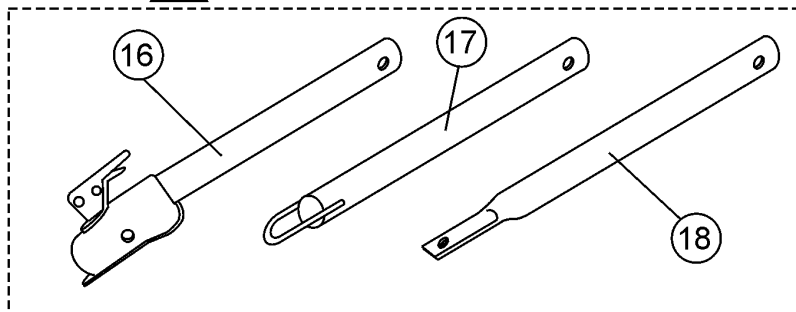
NAMEPLATE AND DECALS ASSY.

<u>NO.</u>	<u>PART NO.</u>	<u>PART NAME</u>	<u>QTY.</u>	<u>REMARKS</u>
1	521229	DECAL; WARNING, BODILY INJURY	2	
2	515275	DECAL; MQ WHITEMAN (SMALL)	3	
3	521230	DECAL; WARNING, PREVENT ACCIDENTS	1	
4	521231	DECAL; DRUM LOCK POSITION	1	
5	504714	DECAL; MQ WHITEMAN (LARGE)	1	
6	521232	DECAL; CAUTION INSPECT BEFORE TOW	2	
7	948630	DECAL; PUSH TO STOP	1	
8	521228	DECAL; DANGER, NO SMOKING	2	
9	520935	DECAL; SAFETY INSTRUCTIONS	1	
10	518524	DECAL; ISO 9001:2000 EXPORT	1	
11	13118	DECAL; POWDER COATED	1	
12		NAMEPLATE.....	1.....	CONTACT MQ PARTS DEPT.
13	503723	RIVET; ID PLATE	2	

FRAME ASSY.



A OPTIONAL TOW BARS

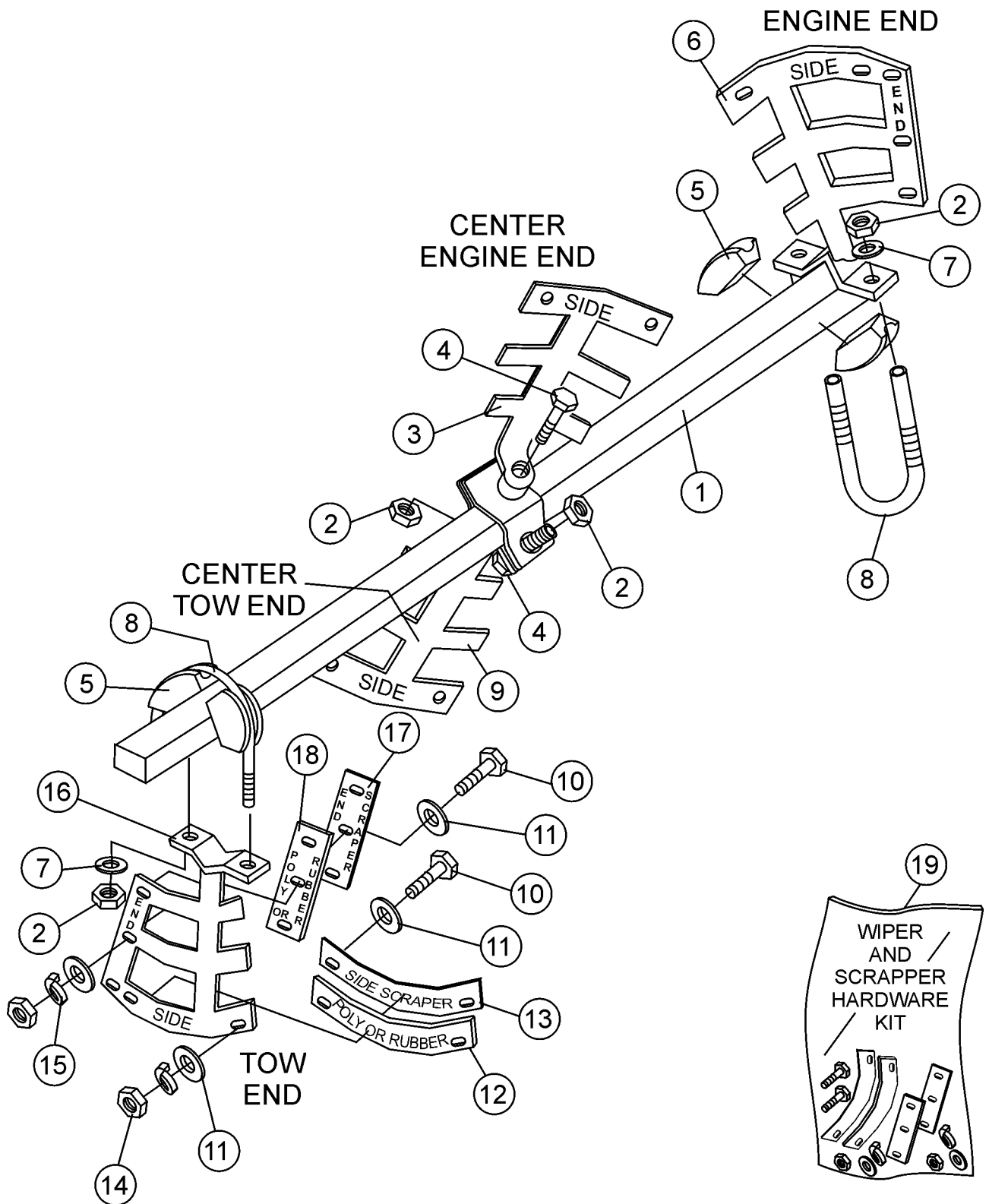


Quantity of item 14, Connector Link, changed from 2 to 1 in January 2006. Item 14A, Clevis Safety Hook, replaces discontinued Connector Link.

FRAME ASSY.

<u>NO.</u>	<u>PART NO.</u>	<u>PART NAME</u>	<u>QTY.</u>	<u>REMARKS</u>
1	514842	LOCK PIN UNIT	1	
2	491692	COTTER PIN	1	
3	530023	SPRING LOCKING PIN	1	
4	507444	WASHER, FLAT 3/4"	1	
5	514835	MAIN FRAME	1	
7	514836	HANDLE, CLUTCH ENGAGE	1	
11	10176	LOCK NUT 1/2" NC	1	
12	EM124	BOLT 1/2"-13 X 4 G5	1	
13%		SAFETY CHAIN	1	
14%	01004	CONNECTOR LINK.....	2.....	BEFORE JANUARY 2006
14%	01004	CONNECTOR LINK.....	1.....	AFTER JANUARY 2006
14A%	516580	CLEVIS SAFETY HOOK.....	1.....	AFTER JANUARY 2006
15	13363KIT	CHAIN AND LINK KIT.....	1.....	INCLUDES ITEMS W/%
16	HBC-1	BALL HITCH 2-INCH	1.....	CONTACT UNIT SALES
17	HLC-1	LOOP HITCH.....	1.....	CONTACT UNIT SALES
18	HPC-1	PIN HITCH 1-INCH	1.....	CONTACT UNIT SALES

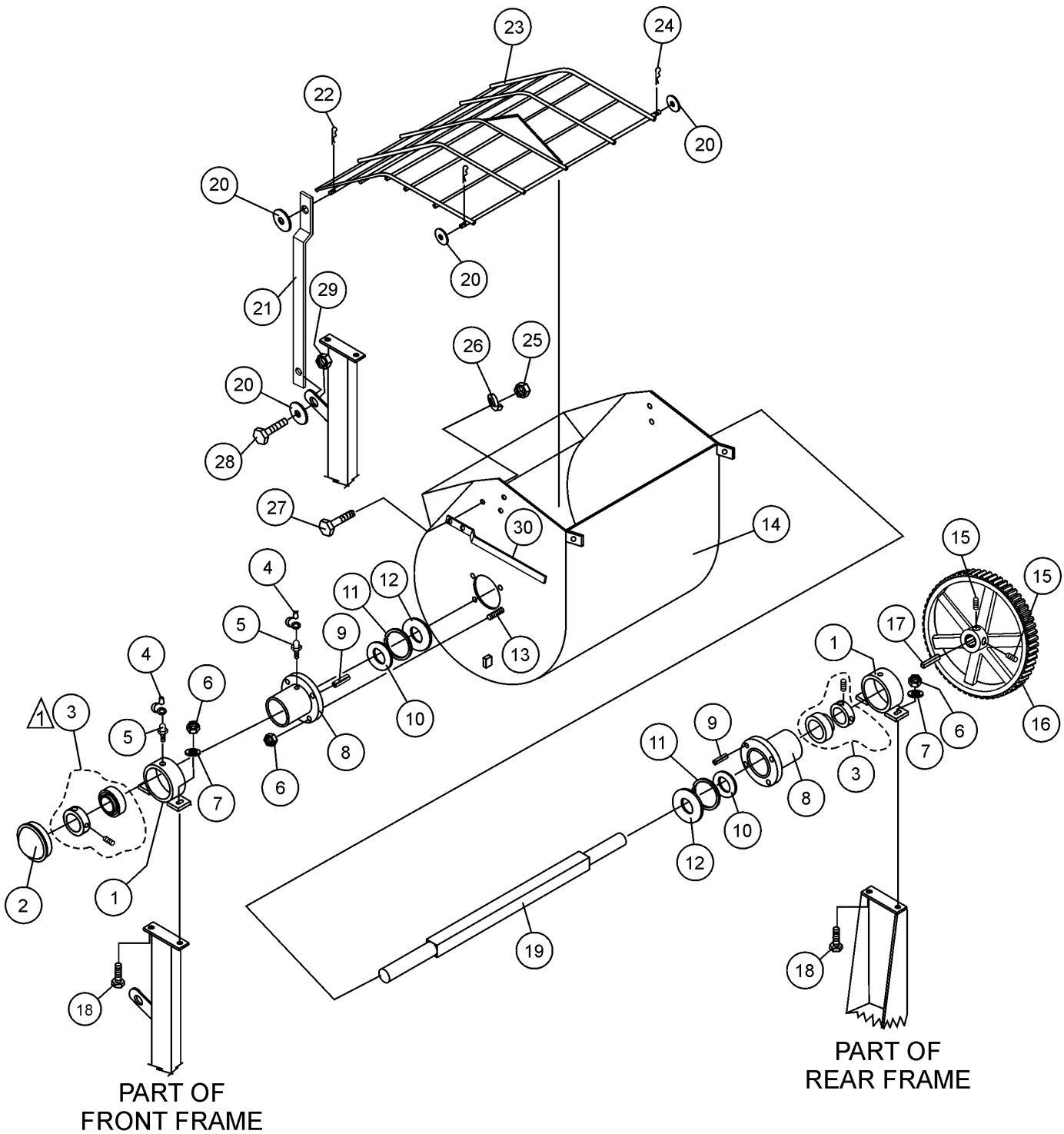
PADDLE SHAFT ASSY.



PADDLE SHAFT ASSY.

<u>NO.</u>	<u>PART NO.</u>	<u>PART NAME</u>	<u>QTY.</u>	<u>REMARKS</u>
1	514752	PADDLE SHAFT	1	
2	492584	NUT, LOCK 1/2"	6	
3	EM202896	PADDLE ARM, CENTER ENGINE END	1	
4	EM963110	BOLT, 1/2-13 X 3-3/4"	2	
5	EM200292	INSERT, PADDLE ARM	4	
6	EM202898	PADDLE ARM, ENGINE END	1	
7	504322	WASHER, FLAT 1/2"	6	
8	EM200297	U-BOLT, END PADDLES	2	
9	EM202897	PADDLE ARM, CENTER TOW END	1	
10%#	492367	SCREW, HHC 5/16-18 X 1-3/4 G5	14	
11%#	EM923023	WASHER, FLAT 5/16"	28	
12#	EM507497	BLADE, SIDE, POLY.....	4.....	PLASTIC DRUM
12%	EM202929	BLADE, SIDE, RUBBER.....	4.....	STEEL DRUM
13%#	EM202928	BLADE, SIDE, SCRAPPER.....	4.....	STEEL & PLASTIC DRUM
14%#	2105164	NUT, HEX 5/16" NC G5	14	
15%	EM923343	WASHER, LOCK 5/16"	14	
16	EM202899	PADDLE ARM, TOW END	1	
17%#	EM202927	BLADE, SCRAPPER END	4.....	STEEL & PLASTIC DRUM
18#	EM507496	BLADE, PLASTIC END.....	4.....	PLASTIC DRUM
18%	EM202926	BLADE, RUBBER END.....	4.....	STEEL DRUM
19	EM203010	KIT, WIPERS, SCRAPPERS & HDWARE.....	1.....	INCLUDES ITEMS W/% STEEL DRUM
19	EM204624	KIT, WIPERS, SCRAPPERS & HDWARE.....	1.....	INCLUDES ITEMS W/# PLASTIC DRUM

STEEL DRUM ASSY.



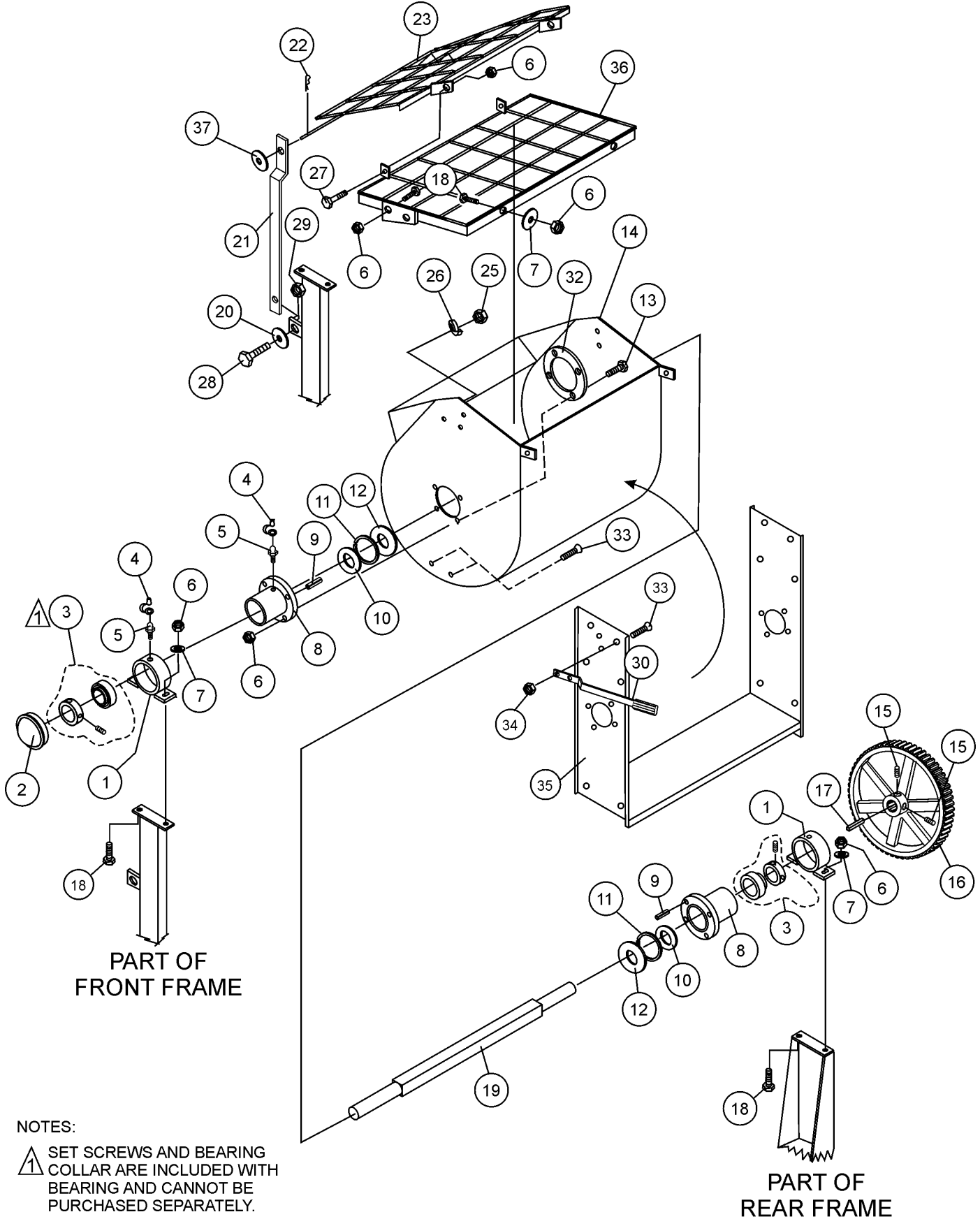
NOTES:

- ⚠ SET SCREWS AND BEARING COLLAR ARE INCLUDED WITH BEARING AND CANNOT BE PURCHASED SEPARATELY.

STEEL DRUM ASSY.

<u>NO.</u>	<u>PART NO.</u>	<u>PART NAME</u>	<u>QTY.</u>	<u>REMARKS</u>
1	530028	DRUM BEARING BRACKET	2	
2	3249	CAP, DUST	1	
3	20561-001	BEARING SEALED.....	2.....	SET SCREWS AND BEARING COLLAR CANNOT BE PURCHASED SEPARATELY
4	491008	CAP, GREASE FITTING	2	
5	EM916019	FITTING, GREASE	2	
6	EM969013	NUT, LOCK 3/8"	12	
7	3019092	WASHER, FLAT 3/8"	4	
8	514778	TRUNNION HUB	2	
9	513453	ROLL PIN 3/16" X 3/4"	2	
10	20654-001	SEAL, SHAFT (BLACK)	2	
11	530029	RING, RETENTION	2	
12	20104-002	SEAL, SHAFT URETHANE (YELLOW)	2	
13	504943	BOLT, FHCS 3/8" NC X 2" G5	8	
14	514749	DRUM, STEEL	1	
15	EM961019	SET SCREW	2	
16	530043	MAIN GEAR	1	
17	501016	KEY, 3/8" X 88 MM	1	
18	17985-012	CARRIAGE BOLT 3/8-16 X 1-1/2"	4	
19	514752	SHAFT, PADDLE	1	
20	492600	WASHER, FLAT 1/2"	4	
21	514986	LIFT BAR	1	
22	EM925191	PIN, COTTER	1	
23	514962	GRATE	1	
24	505070	PIN, COTTER	2	
25	6109160	HEX NUT 1/2" G5	2	
26	6109180	WASHER, LOCK 1/2"	2	
27	EM963692	BOLT 1/2" UNC 1-1/2"	2	
28	EM963102	CAPSCREW, HHCS 1/2" NC X 1-1/4"	1	
29	492584	NUT, LOCK 1/2" NC	1	
30	EM201537	HANDLE DUMP	1	

PLASTIC DRUM ASSY.



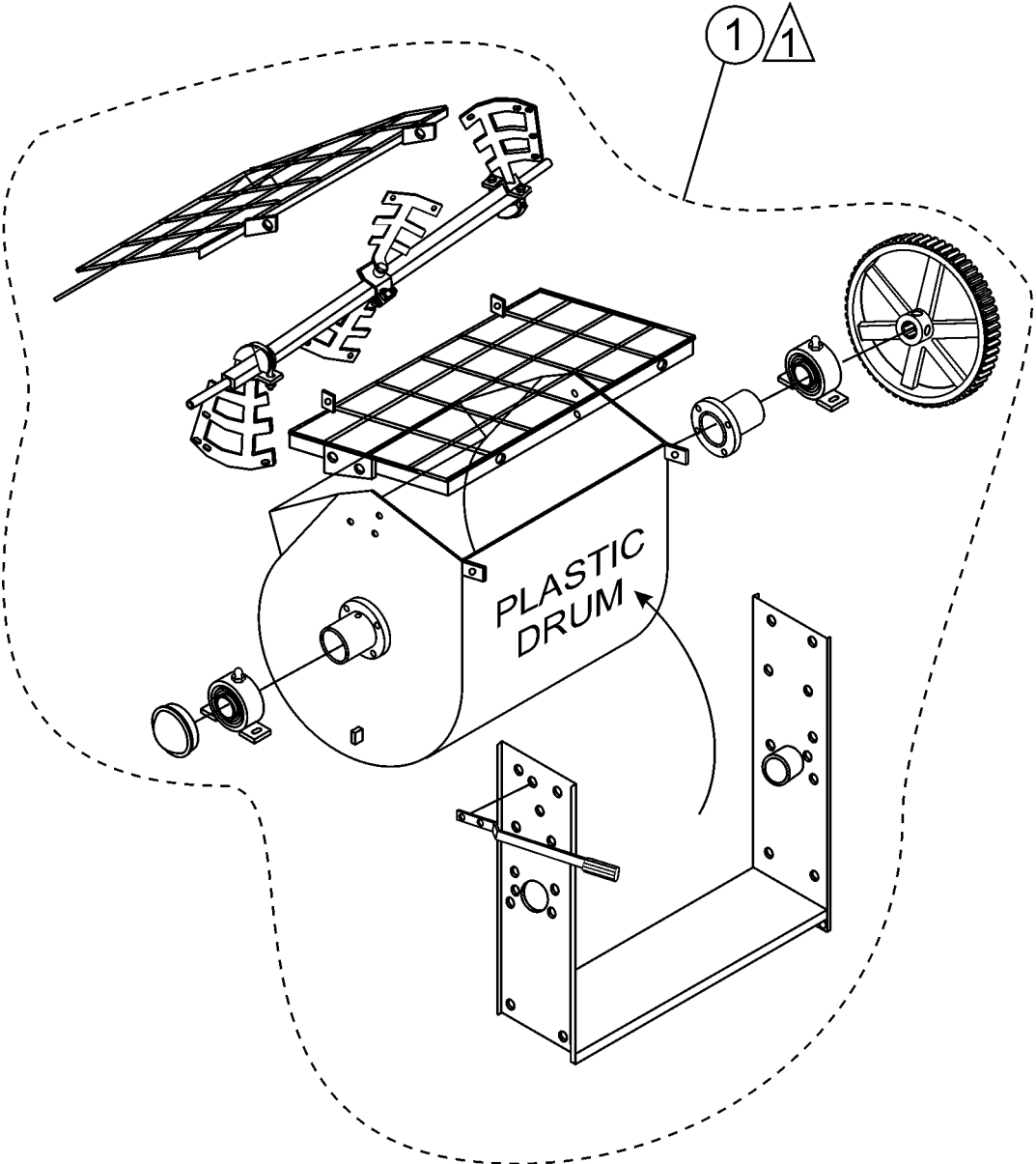
NOTES:

⚠ SET SCREWS AND BEARING COLLAR ARE INCLUDED WITH BEARING AND CANNOT BE PURCHASED SEPARATELY.

PLASTIC DRUM ASSY.

<u>NO.</u>	<u>PART NO.</u>	<u>PART NAME</u>	<u>QTY.</u>	<u>REMARKS</u>
1	530028	DRUM BEARING BRACKET	2	
2	3249	CAP, DUST	1	
3	20561-001	BEARING SEALED.....	2.....	SET SCREWS AND BEARING COLLAR CANNOT BE PURCHASED SEPARATELY
4	491008	CAP, GREASE FITTING	2	
5	EM916019	FITTING, GREASE	2	
6	EM969013	NUT, LOCK 3/8"	20	
7	3019092	WASHER, FLAT 3/8"	6	
8	514778	TRUNNION HUB	2	
9	513453	ROLL PIN 3/16" X 3/4"	2	
10	20654-001	SEAL, SHAFT (BLACK)	2	
11	530029	RING, RETENTION	2	
12	20104-002	SEAL, SHAFT URETHANE (YELLOW)	2	
13	504943	BOLT, FHCS 3/8" NC X 2" G5	8	
14	515053	DRUM, PLASTIC	1	
15	EM961019	SET SCREW	2	
16	530043	MAIN GEAR	1	
17	501016	KEY, 3/8" X 88 MM	1	
18	17985-012	CARRIAGE BOLT 3/8-16 X 1-1/2"	4	
19	514752	SHAFT, PADDLE	1	
20	492600	WASHER, FLAT 1/2"	1	
21	514987	LIFT BAR	1	
22	EM925191	PIN, COTTER	1	
23	504535	GRATE, MOVABLE	1	
24	505070	PIN, COTTER	2	
25	6109160	HEX NUT 1/2" G5	2	
26	6109180	WASHER, LOCK 1/2"	2	
27	EM963692	BOLT 1/2" UNC 1-1/2"	2	
28	EM963102	CAPSCREW, HHCS 1/2" NC X 1-1/4"	1	
29	492584	NUT, LOCK 1/2" NC	1	
30	EM201537	HANDLE DUMP	1	
32	515033	RETAINING RING	1	
33	511910	BOLT 1/4" NC X 1-1/4" G5	8	
34	2101428	NUT 1/4" NC	8	
35	514934	U-SUPPORT PLASTIC DRUM	1	
36	504534	GRATE, STATIONARY	1	
37	0401450160	WASHER, FLAT 5/8"	1	

DRUM AND PADDLE SHAFT COMPLETE ASSY. (PLASTIC)

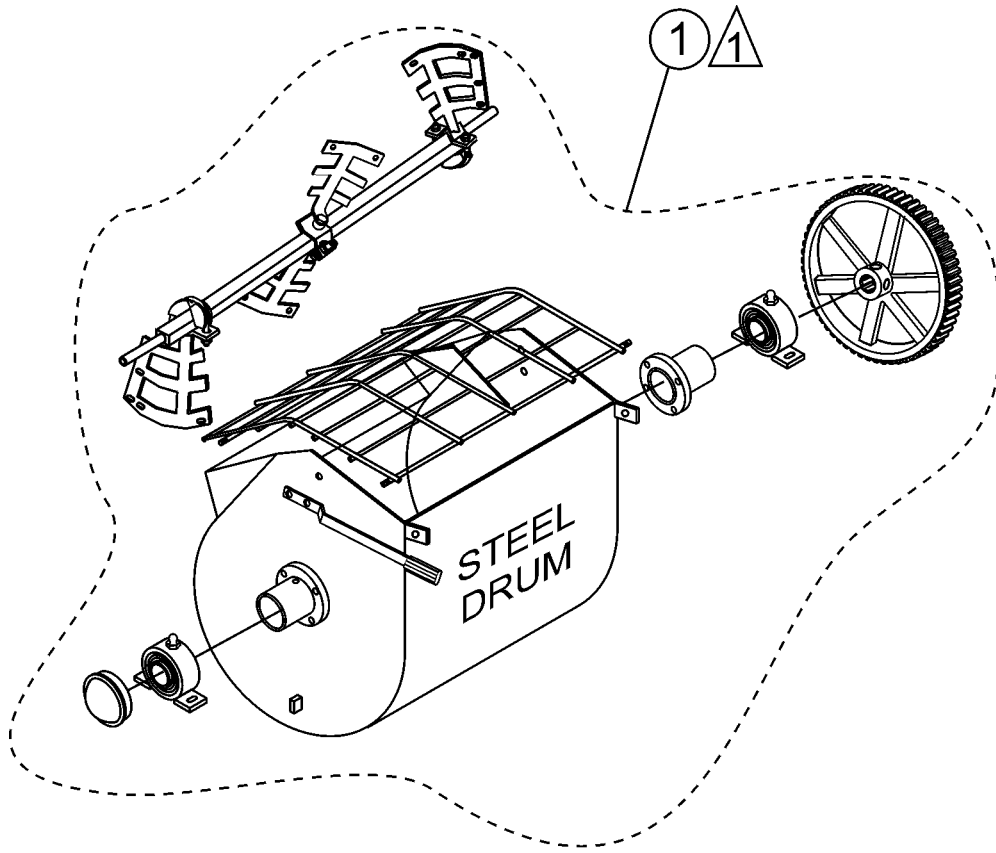


NOTES:
1 COMPLETE DRUM AND PADDLE
SHAFT ASSEMBLIES ARE INCLUDED
WITHIN DASHED LINES.

DRUM AND PADDLE SHAFT COMPLETE ASSY. (PLASTIC)

<u>NO.</u>	<u>PART NO.</u>	<u>PART NAME</u>	<u>QTY.</u>	<u>REMARKS</u>
1	516062	DRUM AND SHAFT COMPLETE ASSY.....	1	INCLUDES ALL ITEMS BELOW
	530028	DRUM BEARING BRACKET	2	
	3249	CAP, DUST	1	
	20561-001	BEARING SEALED	2	
	491008	CAP, GREASE FITTING	2	
	EM916019	FITTING, GREASE	2	
	EM969013	NUT, LOCK 3/8"	20	
	3019092	WASHER, FLAT 3/8"	6	
	514778	TRUNNION HUB	2	
	513453	ROLL PIN 3/16" X 3/4"	2	
	20654-001	SEAL, SHAFT (BLACK)	2	
	530029	RING, RETENTION	2	
	20104-002	SEAL, SHAFT URETHANE (YELLOW)	2	
	513452	BOLT 3/8" NC X 1/4" G5	8	
	515053	DRUM, PLASTIC	1	
	492484	SET SCREW	2	
	530043	MAIN GEAR	1	
	500432	KEY, 3/8" X 50 MM	1	
	EM963057	CAPSCREW HHCS 3/8 X 1-1/2"	4	
	514752	SHAFT, PADDLE	1	
	504535	GRATE, MOVABLE	1	
	505070	PIN COTTER	2	
	492556	HEX NUT 1/2" G5	2	
	6109180	WASHER, LOCK 1/2"	2	
	EM963692	BOLT 1/2" UNC 1-1/2"	2	
	514752	PADDLE SHAFT	1	
	492584	NUT, LOCK 1/2"	6	
	EM202896	PADDLE ARM, CENTER ENGINE END	1	
	510721	BOLT, 1/2 " X 6" G5	2	
	EM200292	INSERT, PADDLE ARM	4	
	EM202898	PADDLE ARM, ENGINE END	1	
	504322	WASHER, FLAT 1/2"	6	
	EM200297	U-BOLT, END PADDLES	2	
	EM202897	PADDLE ARM, CENTER TOW END	1	
	492367	SCREW, HHC 5/16-18 X 1-3/4 G5	14	
	EM923023	WASHER, FLAT 5/16"	28	
	EM507497	BLADE, SIDE, POLY	4	
	EM202899	BLADE, SIDE, SCRAPPER	4	
	2105164	NUT, HEX 5/16" NC G5	14	
	EM923343	WASHER, LOCK 5/15"	14	
	EM202899	PADDLE ARM, TOW END	1	
	EM202927	BLADE ,SCRAPPER END	4	
	EM507496	BLADE, PLASTIC END	4	

DRUM AND PADDLE SHAFT COMPLETE ASSY. (STEEL)

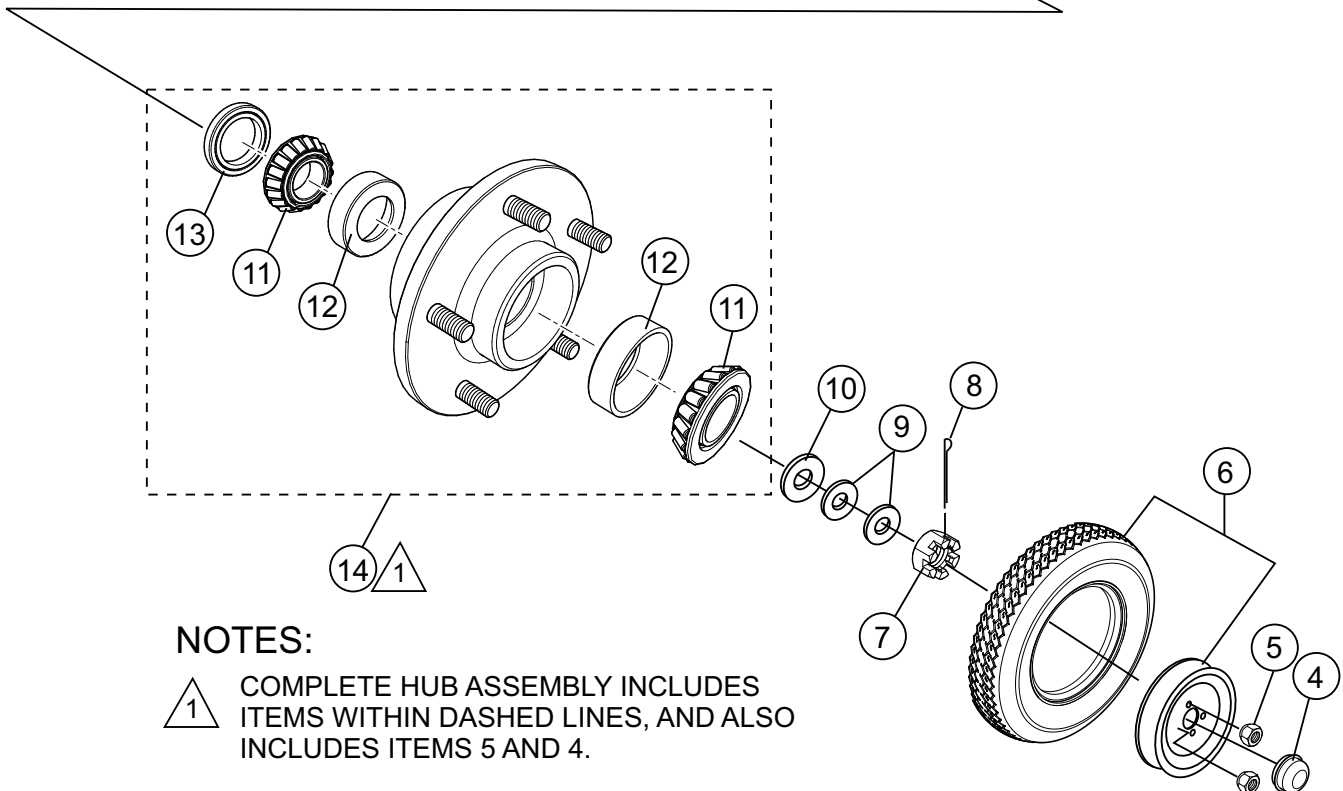
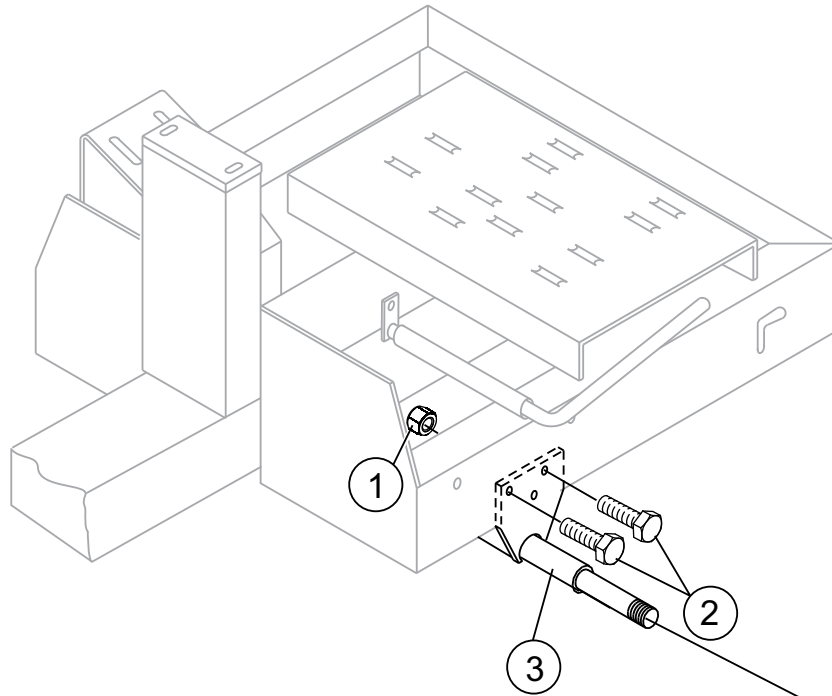


NOTES:

- 1 COMPLETE DRUM AND PADDLE
SHAFT ASSEMBLIES ARE INCLUDED
WITHIN DASHED LINES.

DRUM AND PADDLE SHAFT COMPLETE ASSY. (STEEL)

NO.	PART NO.	PART NAME	QTY.	REMARKS
1	516061	DRUM AND SHAFT COMPLETE ASSY.....	1	INCLUDES ALL ITEMS BELOW
	530028	DRUM BEARING BRACKET	2	
	3249	CAP, DUST	1	
	20561-001	BEARING SEALED	2	
	491008	CAP, GREASE FITTING	2	
	EM916019	FITTING, GREASE	2	
	EM969013	NUT, LOCK 3/8"	12	
	3019092	WASHER, FLAT 3/8"	4	
	514778	TRUNNION HUB	2	
	513453	ROLL PIN 3/16" X 3/4"	2	
	20654-001	SEAL, SHAFT (BLACK)	2	
	530029	RING, RETENTION	2	
	20104-002	SEAL, SHAFT URETHANE (YELLOW)	2	
	504943	BOLT 3/8" NC X 2" G5	8	
	514749	DRUM, STEEL	1	
	492484	SET SCREW	2	
	530043	MAIN GEAR	1	
	501016	KEY, 3/8" X 88 MM	1	
	EM963057	CAPSCREW HHCS 3/8 X 1-1/2"	4	
	514752	SHAFT, PADDLE	1	
	492600	WASHER, FLAT 1/2"	2	
	514962	GRATE	1	
	505070	PIN COTTER	2	
	492556	HEX NUT 1/2" G5	2	
	6109180	WASHER, LOCK 1/2"	2	
	EM963692	BOLT 1/2" UNC 1-1/2"	2	
	EM201537	HANDLE DUMP	1	
	EM98195	GRIP, DUMP HANDLE	1	
	514752	PADDLE SHAFT	1	
	492584	NUT, LOCK 1/2"	6	
	EM202896	PADDLE ARM, CENTER ENGINE END	1	
	510721	BOLT, 1/2 " X 6" G5	2	
	EM200292	INSERT, PADDLE ARM	4	
	EM202898	PADDLE ARM, ENGINE END	1	
	504322	WASHER, FLAT 1/2"	6	
	EM200297	U-BOLT, END PADDLES	2	
	EM202897	PADDLE ARM, CENTER TOW END	1	
	492367	SCREW, HHC 5/16-18 X 1-3/4 G5	14	
	EM923023	WASHER, FLAT 5/16"	28	
	EM202929	BLADE, SIDE, RUBBER	4	
	EM202899	BLADE, SIDE, SCRAPPER	4	
	2105164	NUT, HEX 5/16" NC G5	14	
	EM923343	WASHER, LOCK 5/15"	14	
	EM202899	PADDLE ARM, TOW END	1	
	EM202927	BLADE ,SCRAPPER END	4	
	EM202926	BLADE, RUBBER END	4	



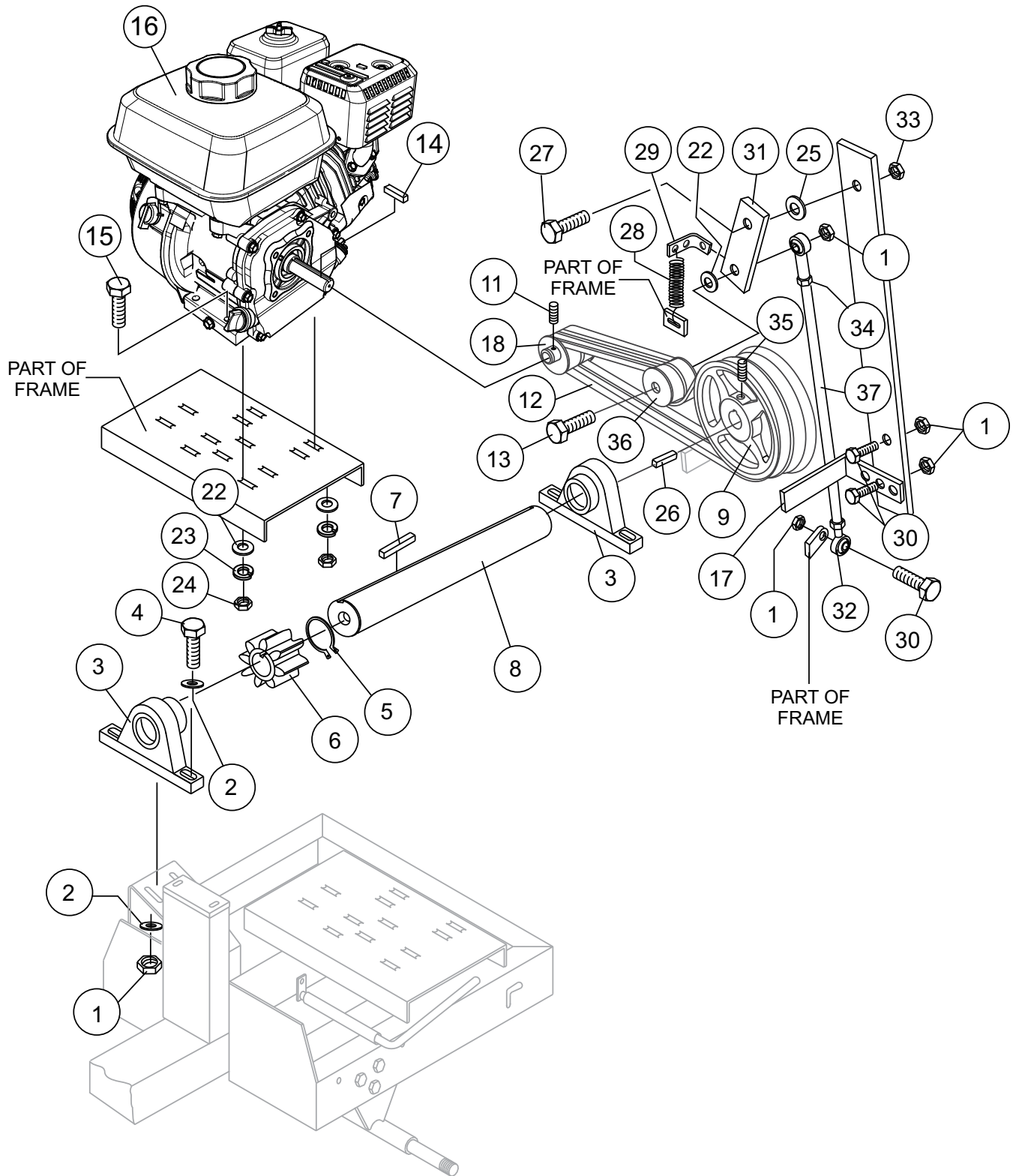
NOTES:

△ 1 COMPLETE HUB ASSEMBLY INCLUDES ITEMS WITHIN DASHED LINES, AND ALSO INCLUDES ITEMS 5 AND 4.

AXLE ASSY.

<u>NO.</u>	<u>PART NO.</u>	<u>PART NAME</u>	<u>QTY.</u>	<u>REMARKS</u>
1	492584	NUT, LOCK 1/2"	6	
2	EM963692	BOLT 1/2" UNC 1-1/2"	6	
3	514802	AXLE, UNIVERSAL	1	
4#	3469	DUST CAP	2	
5#	8115	LUG NUTS	8	
6	516476	TIRE AND RIM	2	
7	8164	CASTLE NUT 1"	2	
8	491688	COTTER PIN 1/8" X 1-1/2"	2	
9	EM501299	WASHER, FLAT, .135" THICKNESS	4	
10	EM511159	WASHER, FLAT, .087" THICKNESS	2	
11#	EM903113	BEARING CONE	4	
12#	EM903012	BEARING CUP	4	
13#	EM914288	OIL SEAL	2	
14	EM941306	HUB ASSY., 4-BOLT	2.....	INCLUDES ITEMS W/#

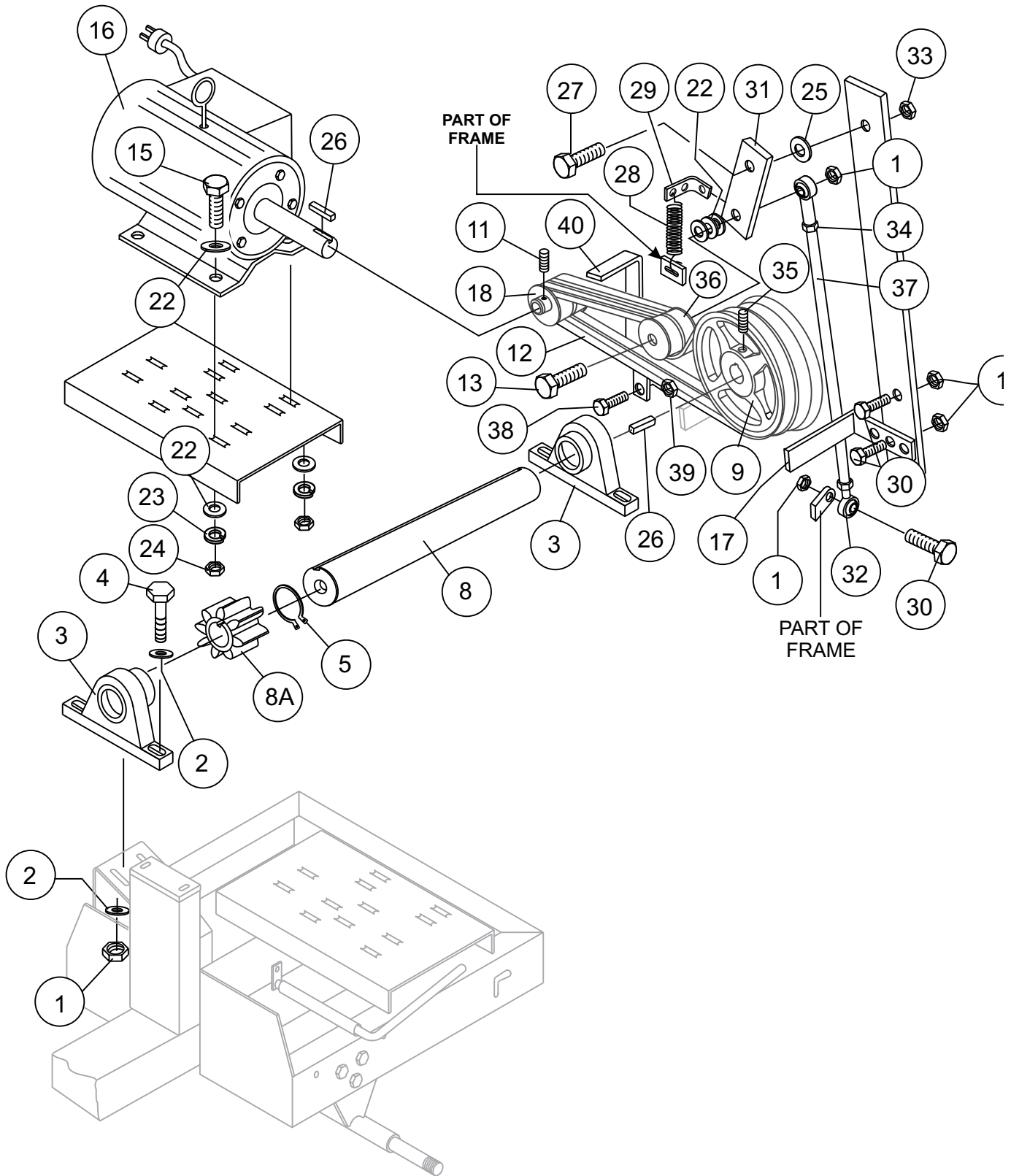
ENGINE ASSY.



ENGINE ASSY.

<u>NO.</u>	<u>PART NO.</u>	<u>PART NAME</u>	<u>QTY.</u>	<u>REMARKS</u>
1	EM969013	NUT 3/8" NC G5	8.....	REPLACES P/N 492583
2	506488	FLAT WASHER 3/8	8	
3	EM905016	PILLOW BLOCK BEARING	2	
4	492378	BOLT 3/8" NC X 1-3/4" G5	4	
5	490957	RING, RETENTION	1	
6	513868	PINION GEAR	1	
7	500214	KEY, 1/4" X 30 MM	1	
8	EM502226	PINION SHAFT	1.....	REPLACES P/N 502226
9	492057	PULLEY (LARGE)	1	
10	505084	KEY, 1/4" X 55 MM	1	
11	492467	SET SCREW, 5/16" NC 3/8"	4	
12	070100370	V-BELT, A-37, HONDA 5.5 HP	2.....	REPLACES P/N 508473
12	505834	V-BELT, A-36, HONDA 8.0 HP	2	
13	503117	BOLT, 3/8" NC X 3" G5	1	
14	501019	SQ. KEY 3/16" X 45 MM 5.5 HP	1	
14	90745ZE2600	SQ. KEY 6.3 X 6.3 X 43 MM 8.0 HP	1	
15	492367	BOLT 5/16" NC X 1-3/4" G5.....	4.....	HONDA 5.5 HP
15	492378	BOLT 3/8" NC X 1-3/4" G5.....	4.....	HONDA 8.0 HP
16	GX160UT1HX2	ENGINE, HONDA 5.5 HP	1.....	REPLACES P/N GX160K1HX2
16	GX240UT1HA2	ENGINE, HONDA 8.0 HP	1.....	REPLACES P/N GX240K1HA2
17	515040	BELT RETAINER BAR	1	
18	492055	PULLEY, (SMALL), HONDA 5.5 HP	1	
18	EM901074	PULLEY, (SMALL), HONDA 8.0 HP	1	
22	EM923023	WASHER, FLAT 5/16", HONDA 5.5 HP	6.....	REPLACES P/N 492597
22	492598	WASHER, FLAT 3/8"	6.....	HONDA 8.0 HP
23	492623	WASHER, LOCK 5/16"	4.....	HONDA 5.5 HP
23	492624	WASHER, LOCK 3/8"	4.....	HONDA 8.0 HP
24	492553	NUT, HEX 5/16"	4.....	HONDA 5.5 HP
24	492554	NUT, HEX 3/8"	4.....	HONDA 8.0 HP
25	492600	WASHER, FLAT 1/2"	1	
26	505084	SQ. KEY, 1/4" X 55 MM	1	
27	492394	BOLT 1/2" NC X 1-1/2" G5	1	
28	EM102014	SPRING, EXTENSION	1	
29	EM203098	SPRING CLIP	1	
30	492313	BOLT 3/8" NC X 1-1/2" G5	3	
31	EM507713	ARM, IDLER	1.....	HONDA 5.5 HP
31	EM507491	ARM, IDLER	1.....	HONDA 8.0 HP
32	EM959080	ROD-END	2	
33	492584	NUT, HEX 1/2"	1	
34	492574	NUT, HEX 3/8" NF G5	2	
35	492476	SET SCREW, 5/16" NC 3/4"	1	
36	EM901515	PULLEY, IDLER	1	
37	515299	ROD	1.....	HONDA 5.5 HP
37	515045	ROD	1.....	HONDA 8.0 HP

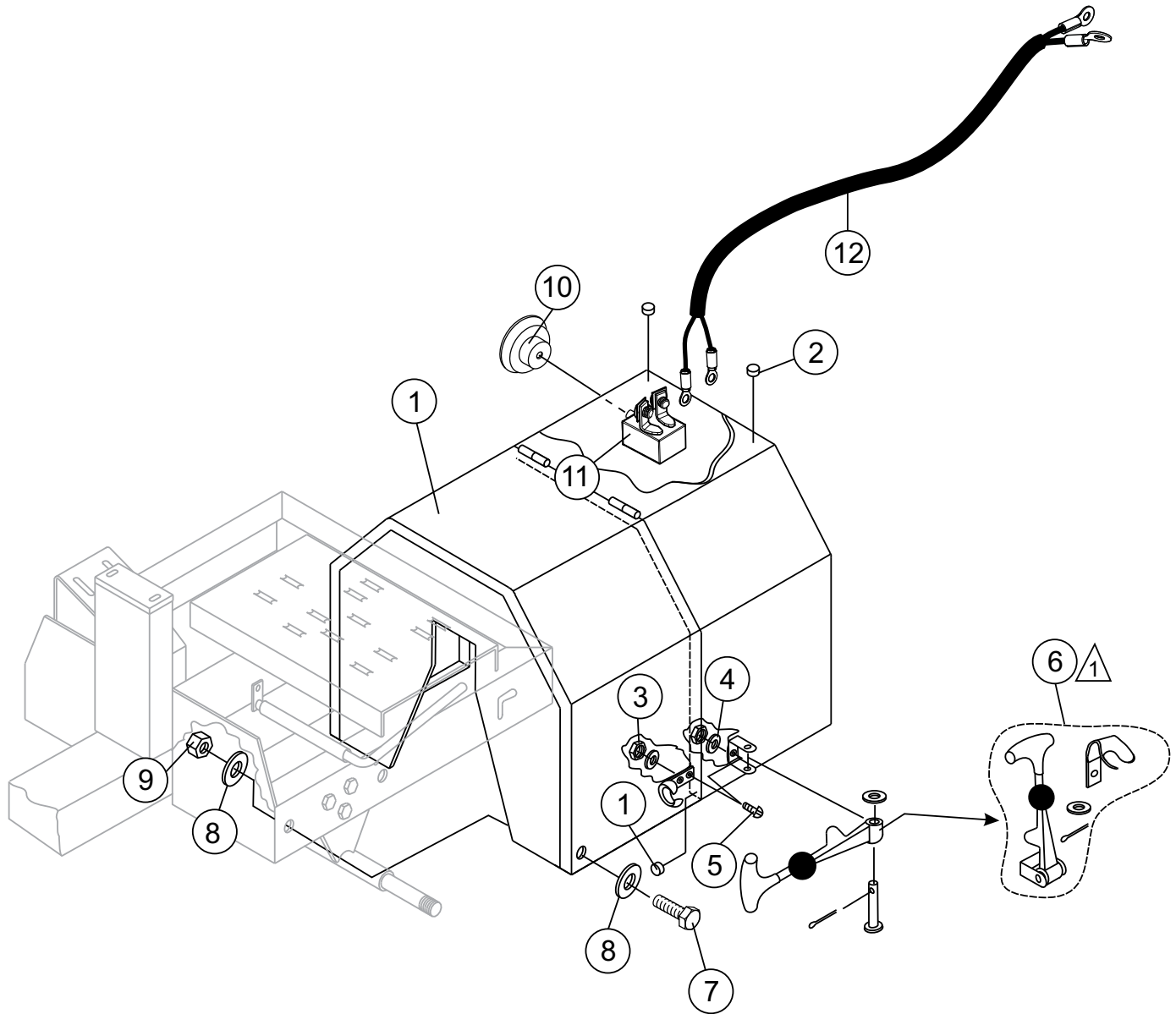
ELECTRIC MOTOR ASSY. (1Ø 120/240 VAC, 60 HZ.)



ELECTRIC MOTOR ASSY. (1Ø 120/240 VAC, 60 HZ.)

<u>NO.</u>	<u>PART NO.</u>	<u>PART NAME</u>	<u>QTY.</u>	<u>REMARKS</u>
1	492583	NUT 3/8" NC G5	8	
2	506488	FLAT WASHER 3/8	8	
3	EM905016	PILLOW BLOCK BEARING	2	
4	492378	BOLT 3/8" NC X 1-3/4" G5	4	
5	490957	RING, RETENTION	1	
8	EM50226	PINION SHAFT	1	
8A	EM513868	PINION	1	
9	505204	PULLEY (LARGE)	1	
10	505084	KEY, 1/4" X 55 MM	1	
11	492467	SET SCREW, 5/16" NC 3/8"	4	
12	507725	V-BELT, A-48	2	
13	503117	BOLT, 3/8" NC X 3" G5	1	
15	492378	BOLT 3/8" NC X 1-3/4" G5	4	
16	35L229S302	ELECTRIC MOTOR 1.5 HP	1	
17	515040	BELT RETAINER BAR	1	
18	502213	PULLEY, (SMALL)	1	
22	492598	WASHER, FLAT 3/8"	5	
23	492624	WASHER, LOCK 3/8"	4	
24	492554	NUT, HEX 3/8"	4	
25	492600	WASHER, FLAT 1/2"	1	
26	505084	KEY, 1/4" X 55 MM	1	
27	492394	BOLT 1/2" NC X 1-1/2" G5	1	
28	EM102014	SPRING, EXTENSION	1	
29	EM203098	SPRING CLIP	1	
30	492313	BOLT 3/8" NC X 1-1/2" G5	3	
31	515300	ARM, IDLER	1	
32	959080	ROD-END	2	
33	492584	NUT, HEX 1/2"	1	
34	492574	NUT, HEX 3/8" NF G5	2	
35	492476	SET SCREW, 5/16" NC 3/4"	1	
36	EM901515	PULLEY, IDLER	1	
37	515045	ROD	1	
38	492364	BOLT, 5/16" NC X 1" G5	1	
39	492554	NUT, HEX 3/8"	4	
40	515365	BELT RETAINER BAR	1	

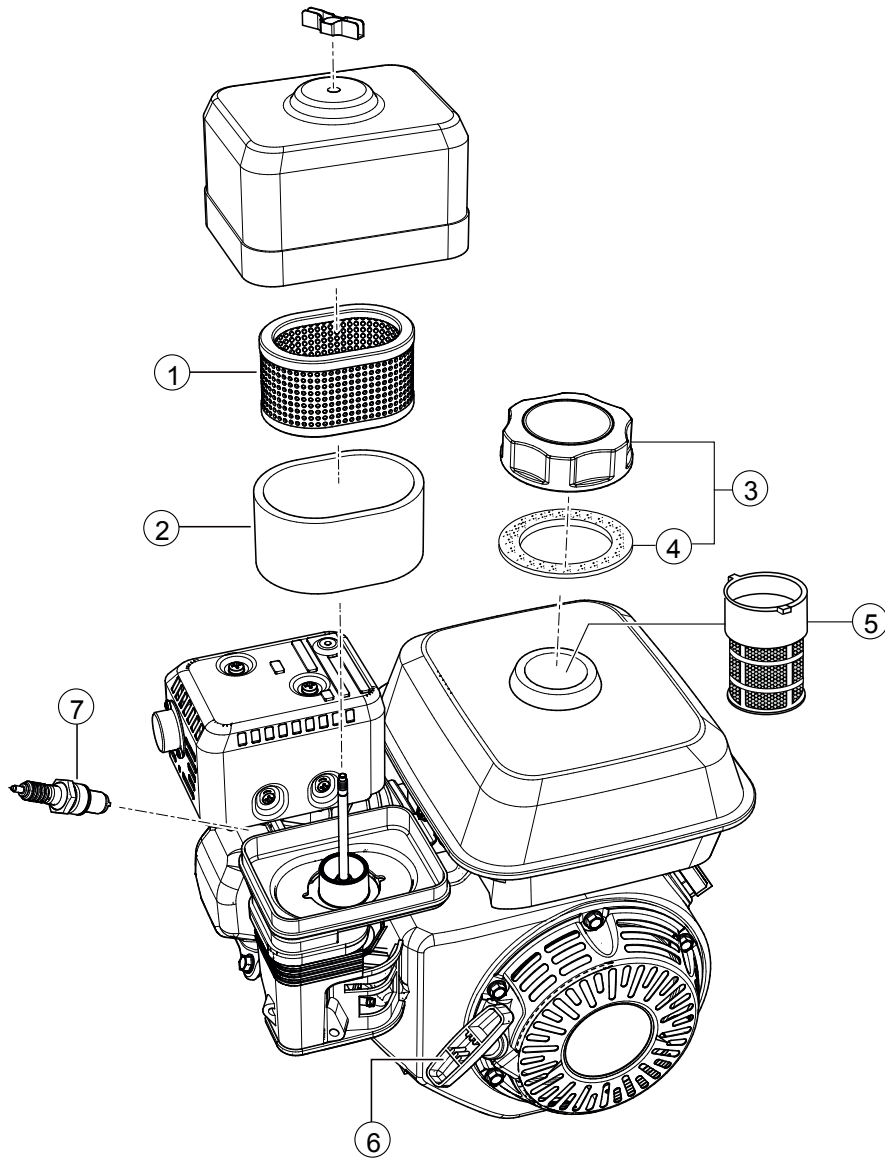
CABINET ASSY.



CABINET ASSY.

<u>NO.</u>	<u>PART NO.</u>	<u>PART NAME</u>	<u>QTY.</u>	<u>REMARKS</u>
1	514964	CABINET, GASOLINE ENGINE W/DECALS	1	INCLUDES ITEMS W/%
1	516585	CABINET, ELECTRIC MOTOR W/DECALS	1	INCLUDES ITEMS W/%
2	490202	RUBBER PROTECTOR	4	
3	13287	LOCK NUT 8-32.....	6.....	REPLACEMENT PART ONLY
4	2203	WASHER, FLAT #10.....	6.....	REPLACEMENT PART ONLY
5	1307	SCREW RHMS 8-32 X 1/2"	6.....	REPLACEMENT PART ONLY
6%	491010	LATCH ASSY., COMPLETE	2	
7	492375	BOLT 3/8" NC X 1" G5	4	
8	492598	WASHER, FLAT 3/8"	4	
9	492583	NUT 3/8" NC G5	4	
10	29174-001	KNOB, MUSHROOM	1	
11	29173-001	SWITCH, PUSH-PULL	1	
12	504135C	WIRE HARNESS	1	

ENGINE SERVICE PARTS



ENGINE SERVICE PARTS

NO.	PART NO.	PART NAME	QTY.	REMARKS
1\$	17218ZE1505	AIR FILTER, OUTER	1	
1#@	17218ZE1821	AIR FILTER, OUTER	1	
2♦	17210ZE1517	AIR CLEANER ELEMENT DUAL.....	1	INCLUDES ITEM W/\$
2♣	17210ZE1822	AIR CLEANER ELEMENT DUAL.....	1	INCLUDES ITEM W/#
2♣◇	17210ZE2822	AIR CLEANER ELEMENT DUAL.....	1	INCLUDES ITEM W/@
3♦♣	17620ZH7023	TANK CAP	1	INCLUDES ITEM W/%
3♣	17620Z4H020	TANK CAP	1	INCLUDES ITEM W/@
3◇	17620Z4H020	TANK CAP	1	INCLUDES ITEM W/&
4%	17631ZH7003	GASKET	1	
4@	17631ZH7003	GASKET	1	
4&	17631Z0T801	GASKET	1	
5♣	17672ZE2W01	FILTER, FUEL.....	1	S/N 3190917 AND BELOW
5♣	17672880000	FILTER, FUEL.....	1	S/N 3118370 ~ 3190916
5◇	17672Z4H000	FILTER, FUEL	1	
6♦♣	28462ZH8003	ROPE, RECOIL	1	
6◇♣	28462ZE2W11	ROPE, RECOIL	1	
7	9807956846	SPARK PLUG, BPR6ES (NGK)	1	
7◇	9807955846	SPARK PLUG, BPR5ES (NGK)	1	

NOTICE

- ♦ HONDA GX160K1HX2
- ♣ HONDA GX160UT1HX2
- ♣ HONDA GX240K1HA2
- ◇ HONDA GX240UT1HA2

TERMS AND CONDITIONS OF SALE — PARTS

PAYMENT TERMS

Terms of payment for parts are net 30 days.

FREIGHT POLICY

All parts orders will be shipped collect or prepaid with the charges added to the invoice. All shipments are F.O.B. point of origin. Multiquip's responsibility ceases when a signed manifest has been obtained from the carrier, and any claim for shortage or damage must be settled between the consignee and the carrier.

MINIMUM ORDER

The minimum charge for orders from Multiquip is \$15.00 net. Customers will be asked for instructions regarding handling of orders not meeting this requirement.

RETURNED GOODS POLICY

Return shipments will be accepted and credit will be allowed, subject to the following provisions:

1. A Returned Material Authorization must be approved by Multiquip prior to shipment.
2. To obtain a Return Material Authorization, a list must be provided to Multiquip Parts Sales that defines item numbers, quantities, and descriptions of the items to be returned.
 - a. The parts numbers and descriptions must match the current parts price list.
 - b. The list must be typed or computer generated.
 - c. The list must state the reason(s) for the return.
 - d. The list must reference the sales order(s) or invoice(s) under which the items were originally purchased.
 - e. The list must include the name and phone number of the person requesting the RMA.
3. A copy of the Return Material Authorization must accompany the return shipment.
4. Freight is at the sender's expense. All parts must be returned freight prepaid to Multiquip's designated receiving point.

5. Parts must be in new and resalable condition, in the original Multiquip package (if any), and with Multiquip part numbers clearly marked.
6. The following items are not returnable:
 - a. Obsolete parts. (If an item is in the price book and shows as being replaced by another item, it is obsolete.)
 - b. Any parts with a limited shelf life (such as gaskets, seals, "O" rings, and other rubber parts) that were purchased more than six months prior to the return date.
 - c. Any line item with an extended dealer net price of less than \$5.00.
 - d. Special order items.
 - e. Electrical components.
 - f. Paint, chemicals, and lubricants.
 - g. Decals and paper products.
 - h. Items purchased in kits.
7. The sender will be notified of any material received that is not acceptable.
8. Such material will be held for five working days from notification, pending instructions. If a reply is not received within five days, the material will be returned to the sender at his expense.
9. Credit on returned parts will be issued at dealer net price at time of the original purchase, less a 15% restocking charge.
10. In cases where an item is accepted, for which the original purchase document can not be determined, the price will be based on the list price that was effective twelve months prior to the RMA date.
11. Credit issued will be applied to future purchases only.

PRICING AND REBATES

Prices are subject to change without prior notice. Price changes are effective on a specific date and all orders received on or after that date will be billed at the revised price. Rebates for price declines and added charges for price increases will not be made for stock on hand at the time of any price change.

Multiquip reserves the right to quote and sell direct to Government agencies, and to Original Equipment Manufacturer accounts who use our products as integral parts of their own products.

SPECIAL EXPEDITING SERVICE

A \$35.00 surcharge will be added to the invoice for special handling including bus shipments, insured parcel post or in cases where Multiquip must personally deliver the parts to the carrier.

LIMITATIONS OF SELLER'S LIABILITY

Multiquip shall not be liable hereunder for damages in excess of the purchase price of the item with respect to which damages are claimed, and in no event shall Multiquip be liable for loss of profit or good will or for any other special, consequential or incidental damages.

LIMITATION OF WARRANTIES

No warranties, express or implied, are made in connection with the sale of parts or trade accessories nor as to any engine not manufactured by Multiquip. Such warranties made in connection with the sale of new, complete units are made exclusively by a statement of warranty packaged with such units, and Multiquip neither assumes nor authorizes any person to assume for it any other obligation or liability whatever in connection with the sale of its products. Apart from such written statement of warranty, there are no warranties, express, implied or statutory, which extend beyond the description of the products on the face hereof.

Effective: February 22, 2006

OPERATION AND PARTS MANUAL

HERE'S HOW TO GET HELP

PLEASE HAVE THE MODEL AND SERIAL
NUMBER ON-HAND WHEN CALLING

UNITED STATES

Multiquip Corporate Office

18910 Wilmington Ave.
Carson, CA 90746
Contact: mq@multiquip.com

Tel. (800) 421-1244
Fax (310) 537-3927

Service Department

800-421-1244
310-537-3700

Fax: 310-537-4259

Technical Assistance

800-478-1244

Fax: 310-943-2238

MQ Parts Department

800-427-1244
310-537-3700

Fax: 800-672-7877
Fax: 310-637-3284

Warranty Department

800-421-1244
310-537-3700

Fax: 310-943-2249

CANADA

Multiquip

4110 Industriel Boul.
Laval, Quebec, Canada H7L 6V3
Contact: jmartin@multiquip.com

Tel: (450) 625-2244
Tel: (877) 963-4411
Fax: (450) 625-8664

UNITED KINGDOM

Multiquip (UK) Limited Head Office

Unit 2, Northpoint Industrial Estate,
Globe Lane,
Dukinfield, Cheshire SK16 4UJ
Contact: sales@multiquip.co.uk

Tel: 0161 339 2223
Fax: 0161 339 3226

© COPYRIGHT 2016, MULTQUIP INC.

Multiquip Inc, the MQ logo are registered trademarks of Multiquip Inc. and may not be used, reproduced, or altered without written permission. All other trademarks are the property of their respective owners and used with permission.

This manual **MUST** accompany the equipment at all times. This manual is considered a permanent part of the equipment and should remain with the unit if resold.

The information and specifications included in this publication were in effect at the time of approval for printing. Illustrations, descriptions, references and technical data contained in this manual are for guidance only and may not be considered as binding. Multiquip Inc. reserves the right to discontinue or change specifications, design or the information published in this publication at any time without notice and without incurring any obligations.

Your Local Dealer is:

