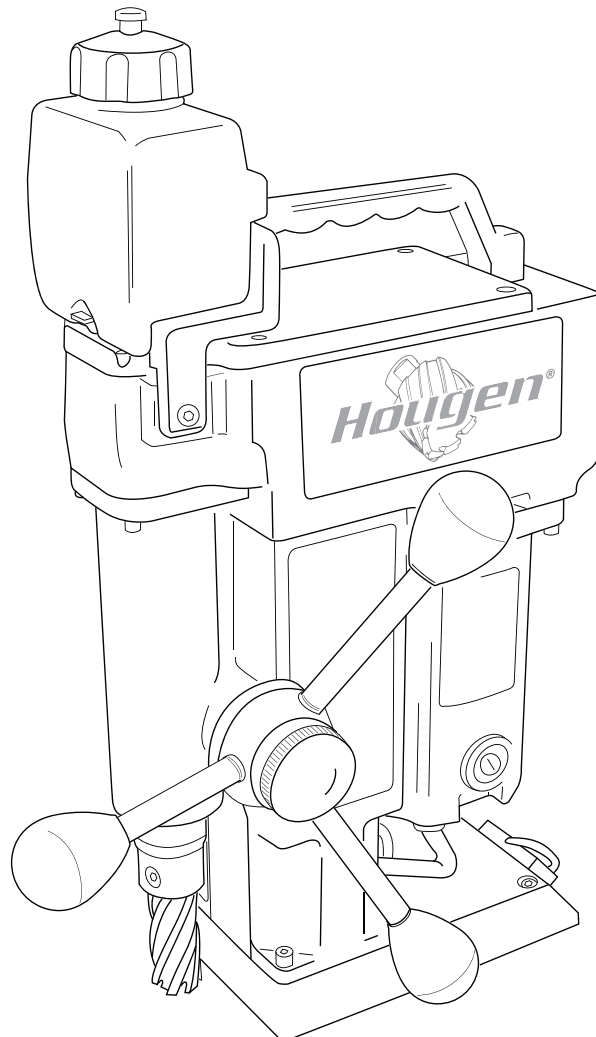




HMD505 & 508 SERIES PORTABLE MAGNETIC DRILL

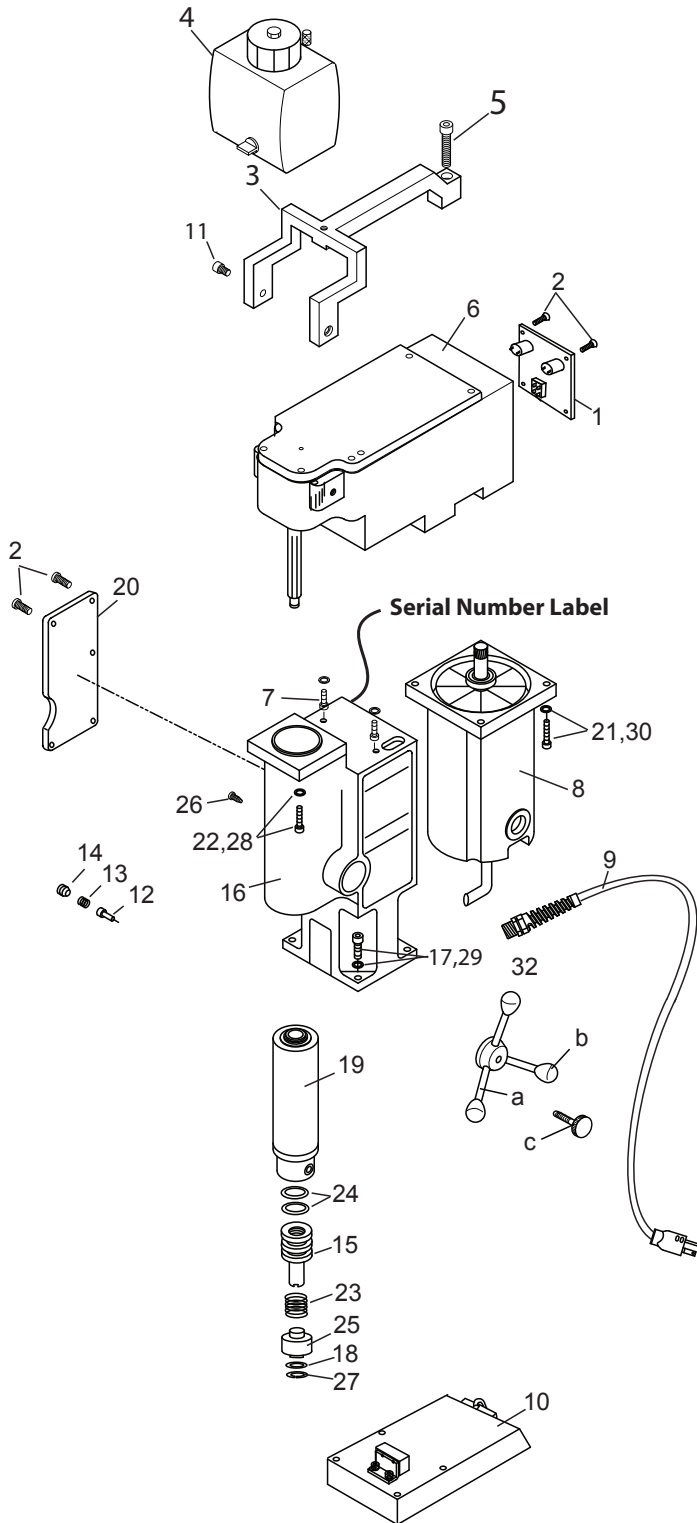
OPERATOR'S MANUAL

COVERS DRILL PART NUMBERS 0505102, 0505202, 0505302 & 0505402,
& 0508102, 0508202, 0508302 & 0508402

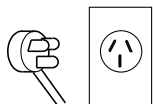


FOR USE WITH HOUGEN[®] "12,000-SERIES" CUTTERS

HMD505 & HMD508 EXPLODED VIEW



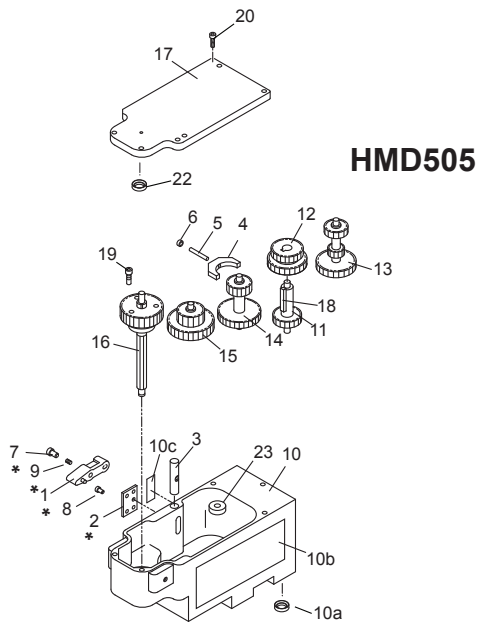
The **0505302 & 0508302** is assembled with a Type I Plug.



The **0505402 & 0508302** is assembled without an electrical plug at the end of the power cord.

Item	Part #	Description	Qty
1*	04613	End Panel Assembly 115V	1
	04663	End Panel Assembly 230V	1
2	41044	B.H.C Screw #10-32 X 3/8	9
3	24033	Carrying Handle	1
4	24228	Coolant Bottle Assembly	1
5	40108	S.H.C Screw 1/4-20 X 1-1/4	1
6*	04625	HMD 505 Gear Box Assembly	1
	05994	HMD 508 Gear Box Assembly	1
7	40038	S.H.C Screw #10-32 X 5/8	2
8*	04631	HMD505 Motor Assembly 115V	1
	07177	HMD505 Motor Assembly 230V	1
	07000	HMD508 Motor Assembly 115V	1
	07002	HMD508 Motor Assembly 230V	1
9	24073	Power Cord Assembly 115V (0505102 & 0508102)	1
	24213	Power Cord Assembly 230V (0505202, 050402 & 0508202, 0508402)	1
	24214	Power Cord Assembly 230V (0505302 & 0508302 type I plug)	1
10*	08228	Magnet/Safety Switch Assem. 115V	1
	08230	Magnet/Safety Switch Assem. 230V	1
11	10971	SHC Screw 1/4-20 X 1/2	2
12	24051	Quill Stop	1
13	24125	Spring	1
14	04207	Set Screw 3/8-16 X 3/8 Oval	1
15	24193	Spline Shaft Extension	1
16	05400	Housing Assembly	1
17	40077	SHC Screw 1/4-20 X 1	4
18	24198	Seal 1/2 ID X 11/16 OD	1
19*	24199	Quill / Arbor Assembly	1
20*	04620	Front Panel Assembly 115V	1
	04665	Front Panel Assembly 230V	1
21	01116	SHC Screw #10-32 X 1	4
22	24077	SHC Screw #10-32 X 7/8	4
23	24195	Spring	1
24	24126	O-Ring	2
25	24194	Spring Plunger	1
26	04158	SCR Self-Tap 10-24 X 3/8	1
27	10517	Retaining Ring	1
28	50038	#10 Lock Washer	4
29	90028	1/4" Lock washer	4
30	04307	#10 Flat washer	4
31	05372	Grease, Lubriplate	.01 oz
32	24011	Feed Hub Assy 115V (includes a-c)	1
	24225	Feed Hub Assy. 230V (includes a-c)	1
a	04558	Feed Handle 115V models	3
	24224	Feed Handles 230V models	3
b	04532	Handle Knob	3
c	24007	Feed Hub Knob	1

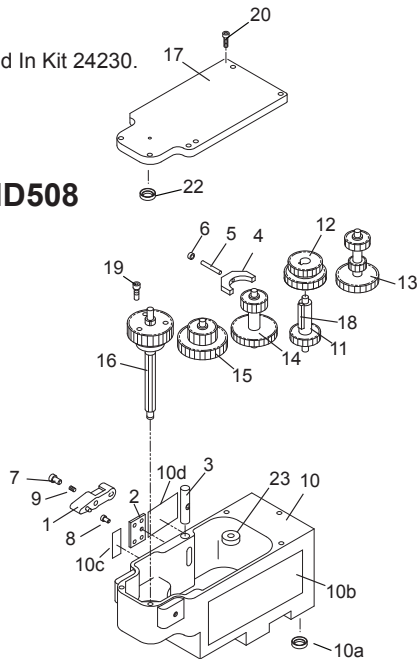
* See Following Pages for Assembly Breakdowns.



HMD505

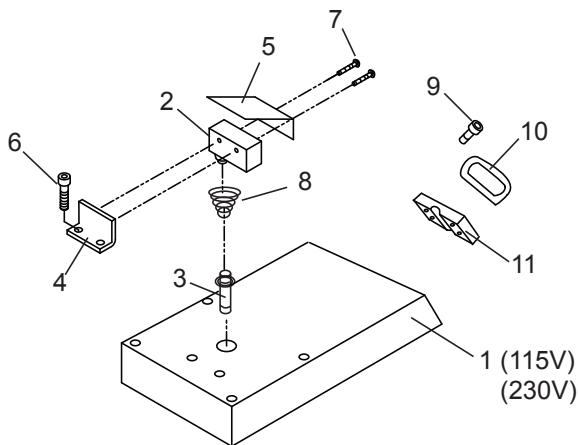
*These Parts Are Included In Kit 24230.

HMD508

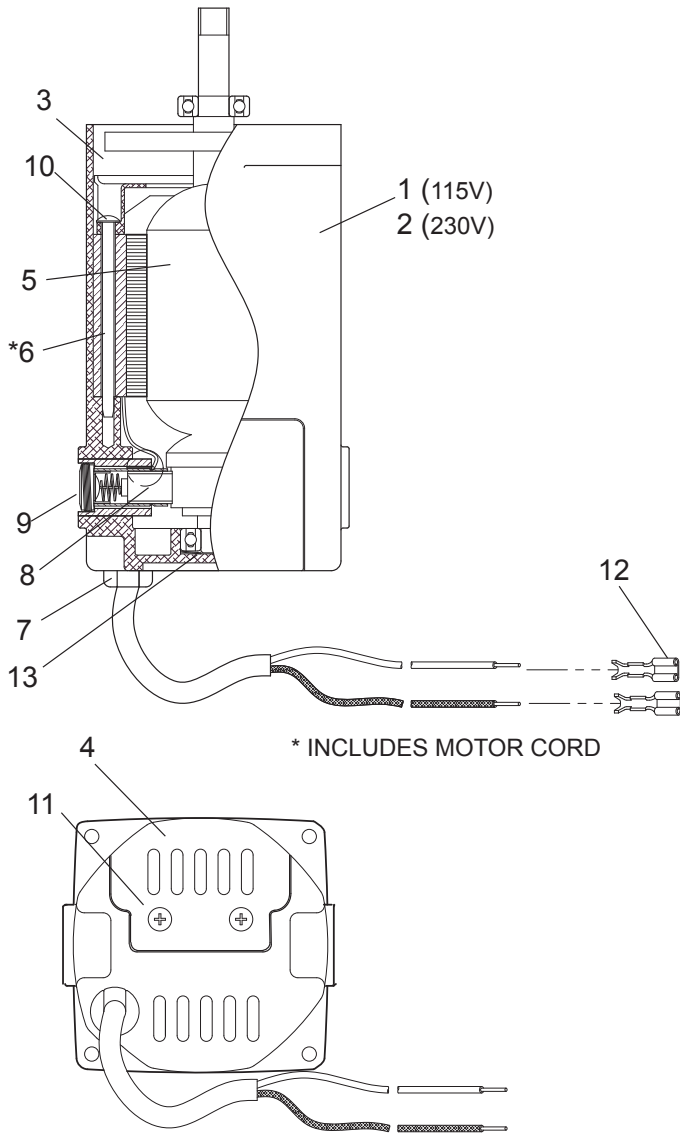


04625 Gear Box Assembly - HMD505			
05994 Gear Box Assembly - HMD508			
Item	Part #	Description	Qty
1	24229	Gear Shift Handle	1
2	24046	Gear Switch Plate	1
3	24038	Gear Shift Pin	1
4	24039	Gear Shift Yoke	1
5	24037	Dowel Pin 3/16 X 1-1/4	1
6	24036	Gear Shift Spacer	2
7	24101	SHSLD Screw 1/4 X 3/8	1
8	04157	FHSC Screw #10-32 X 3/8	4
9	05740	Spring	1
10	04640	Gear Box Assembly (includes a-c)	1
10a	24096	Lip Seal	1
10b	05181	Hougen Label	1
10c	24060	Drill Speed Label - HMD505	1
	05991	Drill Speed Label - HMD508	1
10d	07129	Carbide Speed Label - HMD508	1
11	24027	Gear & Shaft Assembly	1
12	24026	Gear 32/39 Tooth - HMD505	1
	05989	Gear 32/39 Tooth - HMD508	1
13	24105	Gear & Shaft Assembly - HMD505	1
	05992	Gear & Shaft Assembly - HMD508	1
14	24104	Gear & Shaft Assembly 14 Tooth	1
15	24103	Gear & Shaft Assembly 15 Tooth	1
16	24102	Spline Shaft Assembly	1
17	04623	Cover & Bearing Assembly	1
18	24030	Key 3/16 sq. X 1.70	1
19	24082	SHC Screw 6-32 X 3/8	3
20	40038	SHC Screw 10-32 X 5/8	6
21	24152	Grease Lubriplate GR132	
22	24095	Lip Seal	1
23	24100	Ball Bearing	4

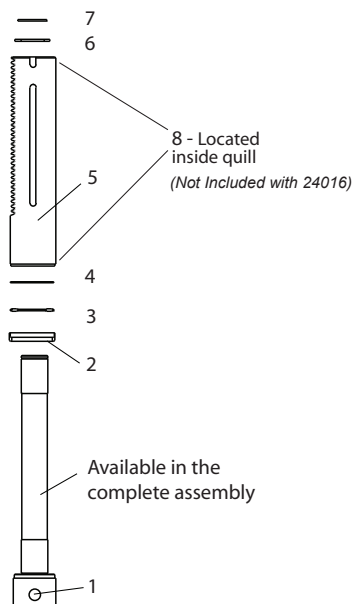
MAGNET ASSEMBLY



08228 115V Magnet Assembly			
08230 230V Magnet Assembly			
Item	Part #	Description	Qty
1	08227	Magnet Assembly 115V	1
	08229	Magnet Assembly 230V	1
2	10990	Safety Switch Assy.	1
3	24221	Plunger Assembly	1
4	04909	Safety Switch Bracket	1
6	10971	Screw SHC 1/4-20 X 1/2	2
7	10972	Screw BHC 6-32 X 7/8	2
8	17271	Spring	1
9	41046	Screw SHC 10-32 X 1/2	2
10	24144	"D" Ring 1" Wide	1
11	07887	Plate - Chain Hold down	1



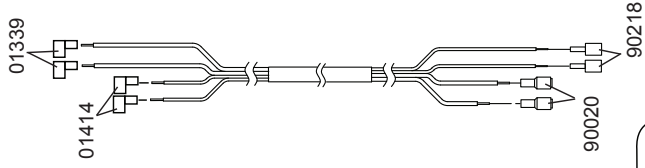
04631 HMD505 - 115V Motor Assembly 07177 HMD505 - 230V Motor Assembly 07000 HMD508 - 115V Motor Assembly 07002 HMD508 - 230V Motor Assembly			
Item	Part #	Description	Qty
1	04633	Motor Housing Assy. HMD505 115V	1
	05999	Motor Housing Assy. HMD508 115V	1
1a	04632	HMD505 Label	1
	05996	HMD508 Label	1
1b	04634	Motor Specs Label HMD505 115V	1
	05997	Motor Specs Label HMD508 115V	1
2	07178	Motor Housing Assy. HMD505 230V	1
	07001	Motor Housing Assy. HMD508 230V	1
2a	04632	HMD505 Label	1
	05996	HMD508 Label	1
2b	07154	Motor Specs Label HMD505 230V	1
	05995	Motor Specs Label HMD508 230V	1
3	24114	Motor Baffle	1
4	24066	Access Door	1
5	24041	Armature 115V	1
	24207	Armature 230V	1
6	24042	Field Assembly 115V	1
	24206	Field Assembly 230V	1
7	40373	Strain Relief	2
8	24045	Carbon Brushes 115V/230V	2
9	24044	Brush Cap	2
10	24080	Screw #10 X 3-1/4 Self Tapping	2
11	24153	Screw #10 X 1/2 Self Tapping	2
12	90019	16-14 Connector	2
13	24093	Spring Washer	1



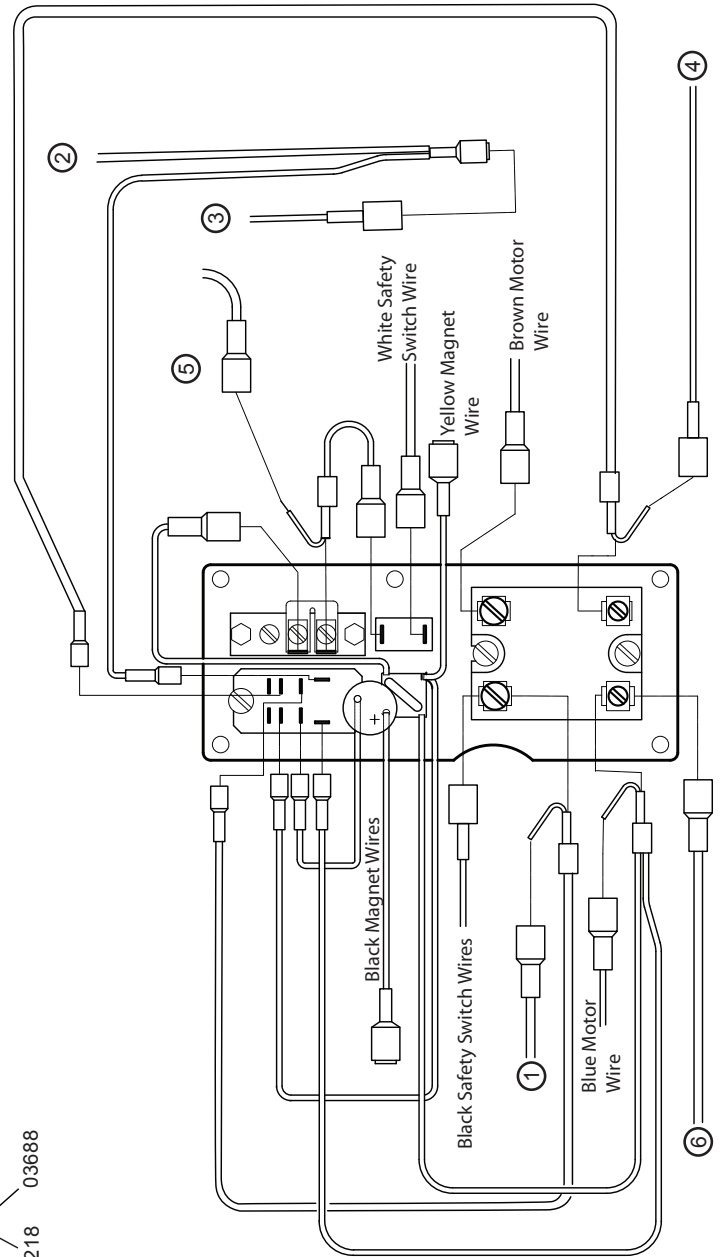
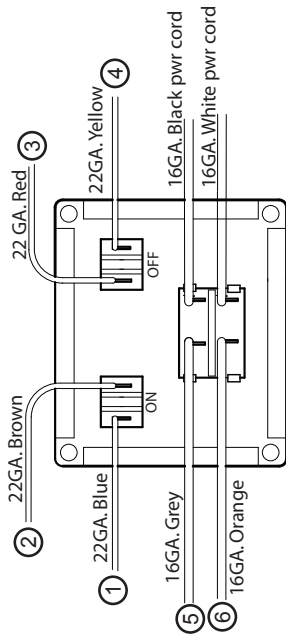
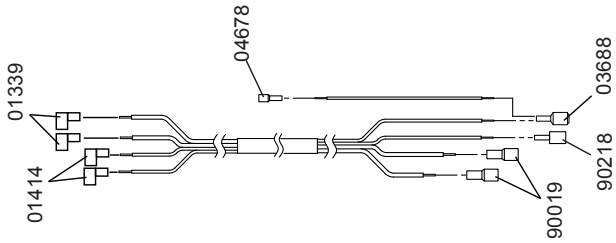
24199 Arbor / Quill Assembly			
Item	Part #	Description	Qty
1	40222	Set Screw 7/16-14 X .305	2
2	24013	Thrust Bearing Seal	1
3	24094	Thrust Bearing	1
4	24091	Thrust Washer	1
5	24016	Quill	1
6	24165	Washer	1
7	24164	Retaining Ring	1
8	24086	Bushing (not included with 24016)	2

HMD505 & HMD508 HOOK UP DIAGRAM

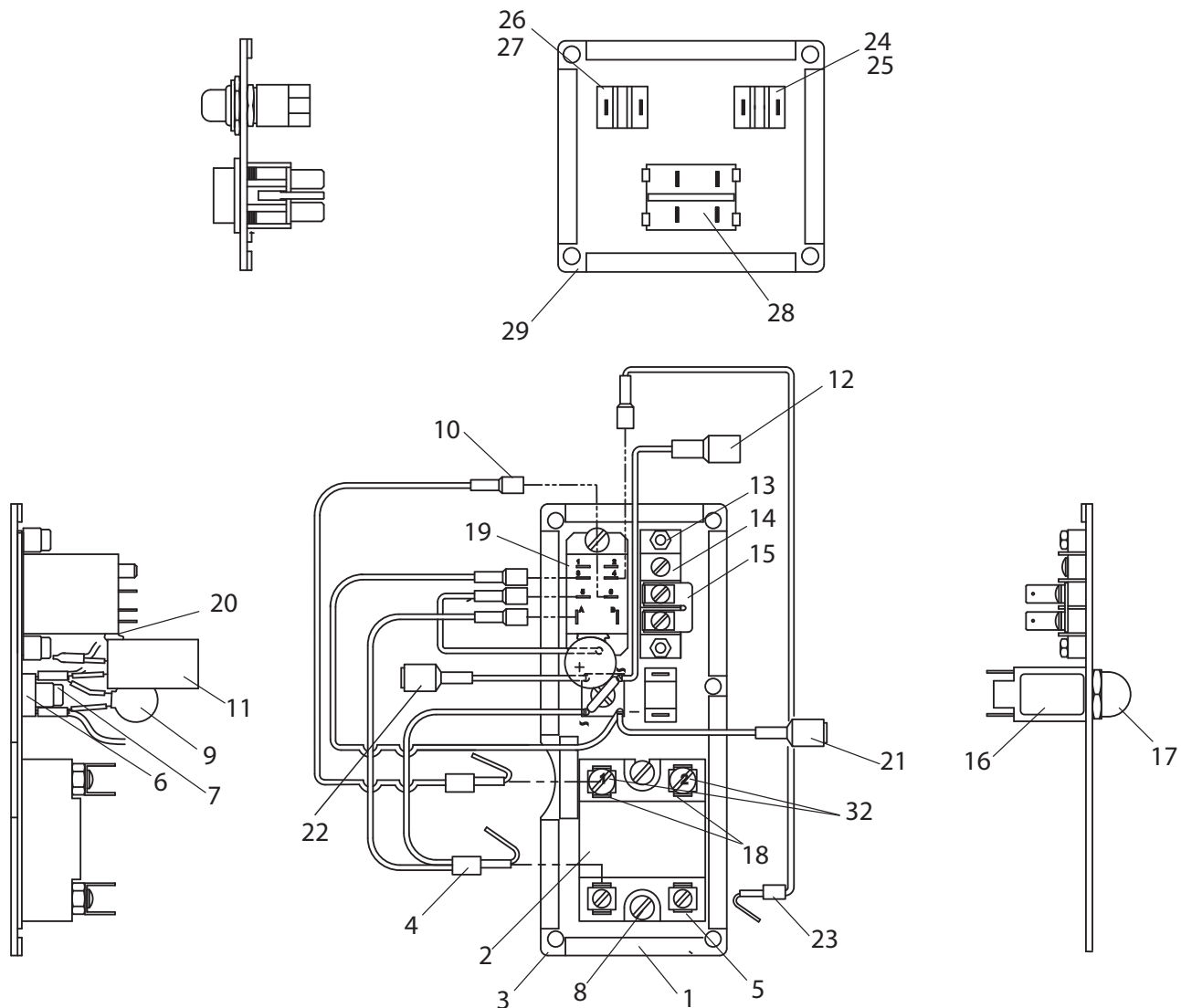
04647 WIRE HARNESS



04689 WIRE HARNESS



HMD505 & HMD508 PANEL PARTS



Item	Part #	Description	Qty
1	40296	Sponge Seal	1
2	04387	Relay	1
3	04621	Faceplate Front	1
4	90020	Terminal Piggy Back	2
5	01945	Terminal Spade	5
6	10705	Rectifier	1
7	01835	Nylon Nut	3
8	40374	Nut #6-32 Jam	2
9	10718	Surge Suppressor 115V	1
	10760	Surge Suppressor 230V	1
10	04678	Female Terminal 22/18 GA	5
11	02916	Capacitor 115V	1
	07210	Capacitor 230V	1
12	90218	Terminal Female	1
13	01496	Spacer	2
14	01547	Terminal Strip	1
15	01944	Terminal Jumper	1

Item	Part #	Description	Qty
16	24141	Circuit Breaker 14A 115V	1
	24216	Circuit Breaker 7A 230V	1
17	24142	Cover	1
18	04622	Double Terminal	2
19	04690	Relay 15A 115V	1
	07119	Relay 15A 230V	1
20	90036	Adhesive	1
21	03688	Terminal Male Insulator	2
22	90019	Female terminal 16/14 GA.	1
23	01310	Terminal Piggy Back	2
24	04646	Switch Off	1
25	04643	Red Seal	1
26	04645	Switch On	1
27	04644	Green Seal	1
28	04614	Rocker Switch 115V	1
	04664	Rocker Switch 230V	1
29	04615	Faceplate End	1
30	07453	#8-32 x 3/8 Screw	2

OPTIONAL PRESSURIZED COOLANT BOTTLE

24140 Coolant Bottle Assembly			
Item	Part #	Description	Qty
1	24133	Bracket	1
2	05622	Quick Fitting 1/4" Body	1
3	24132	Adapter	1
4	24123	O-Ring	1
5	24110	Thumb Screw	1
6	24168	Flat Nylon Washer	1
7	05630	Coolant Bottle Assembly includes 7a-7c	1
7a	05556	Fitting 1/8 NPT 3/8 Hose	1
7b	01569	Shut Off Valve	1
7c	05621	Quick Connector	1

