

SMT Series

Hot Water - Electric Start - Diesel

KÄRCHER

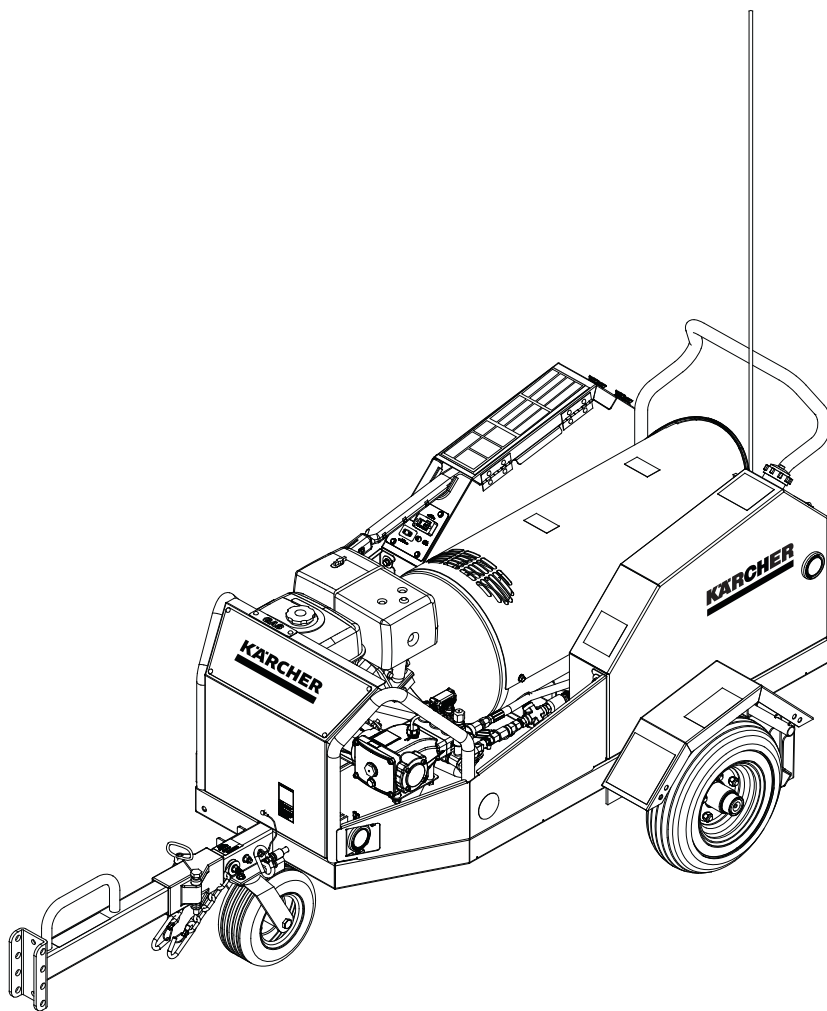
Service Manual

Pressure Washer Trailer

MODEL:

SMT-354037E

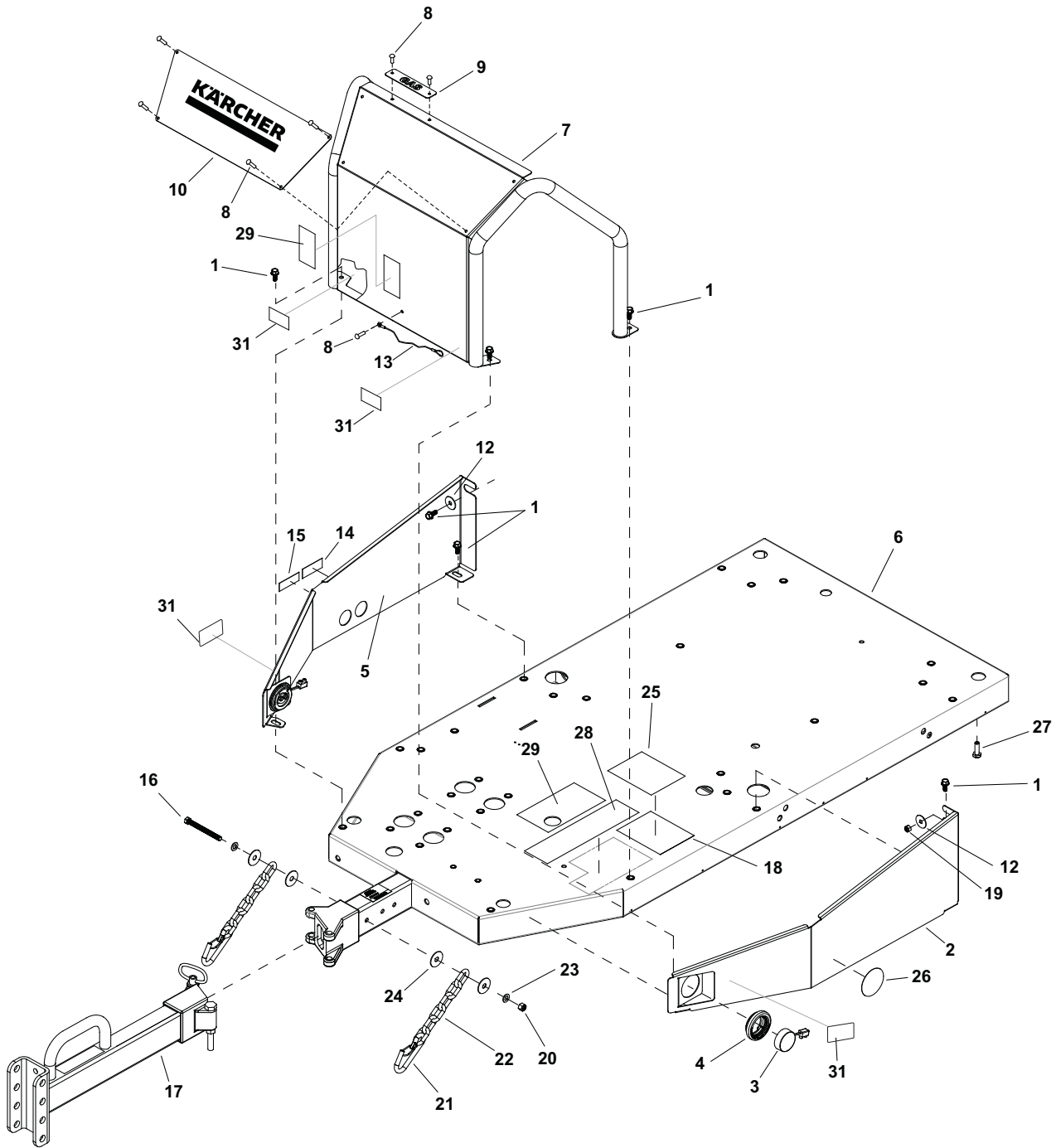
1.103-841.0



9.800-506.0-AB

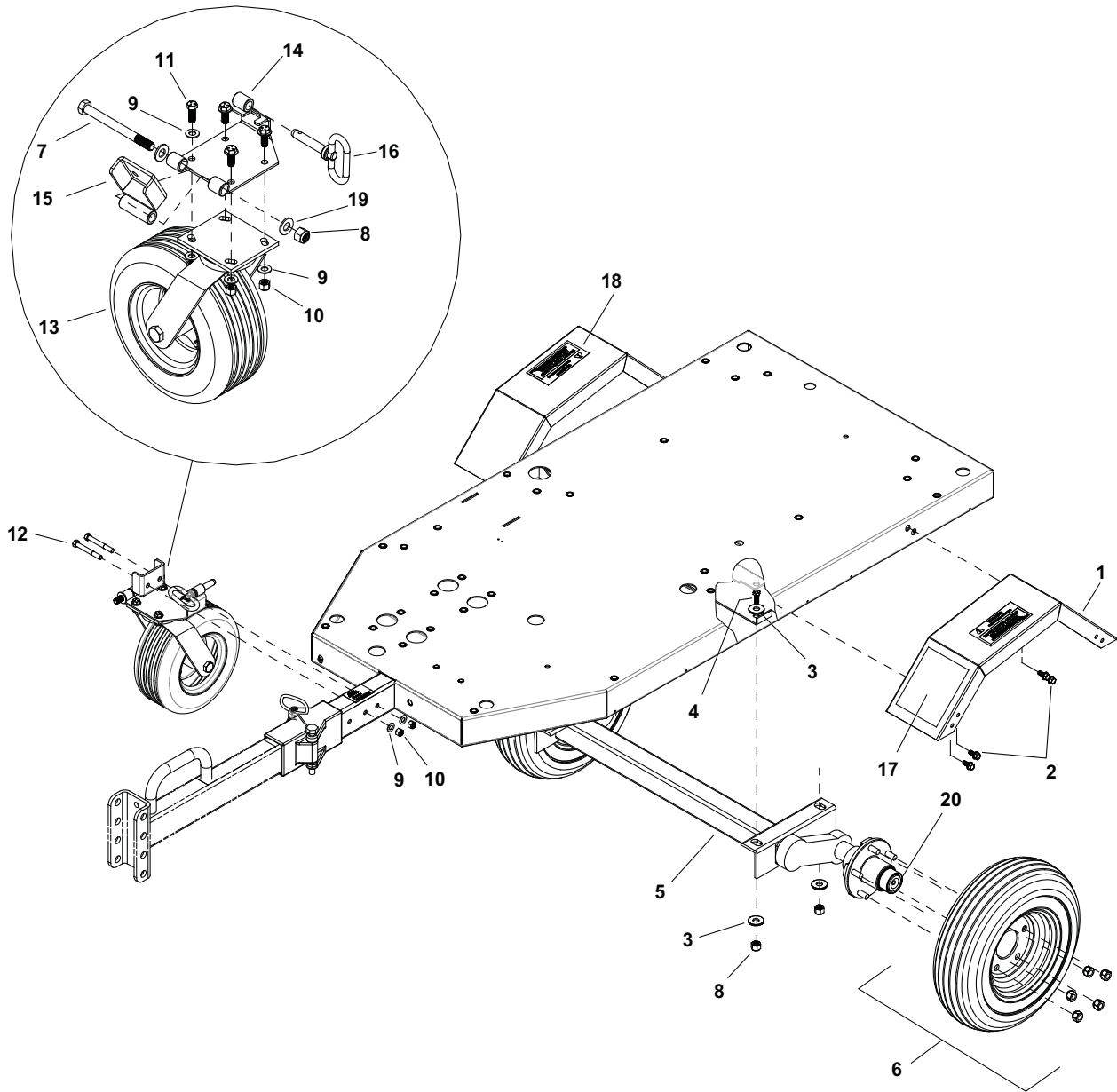
04/25/19

Trailer Base



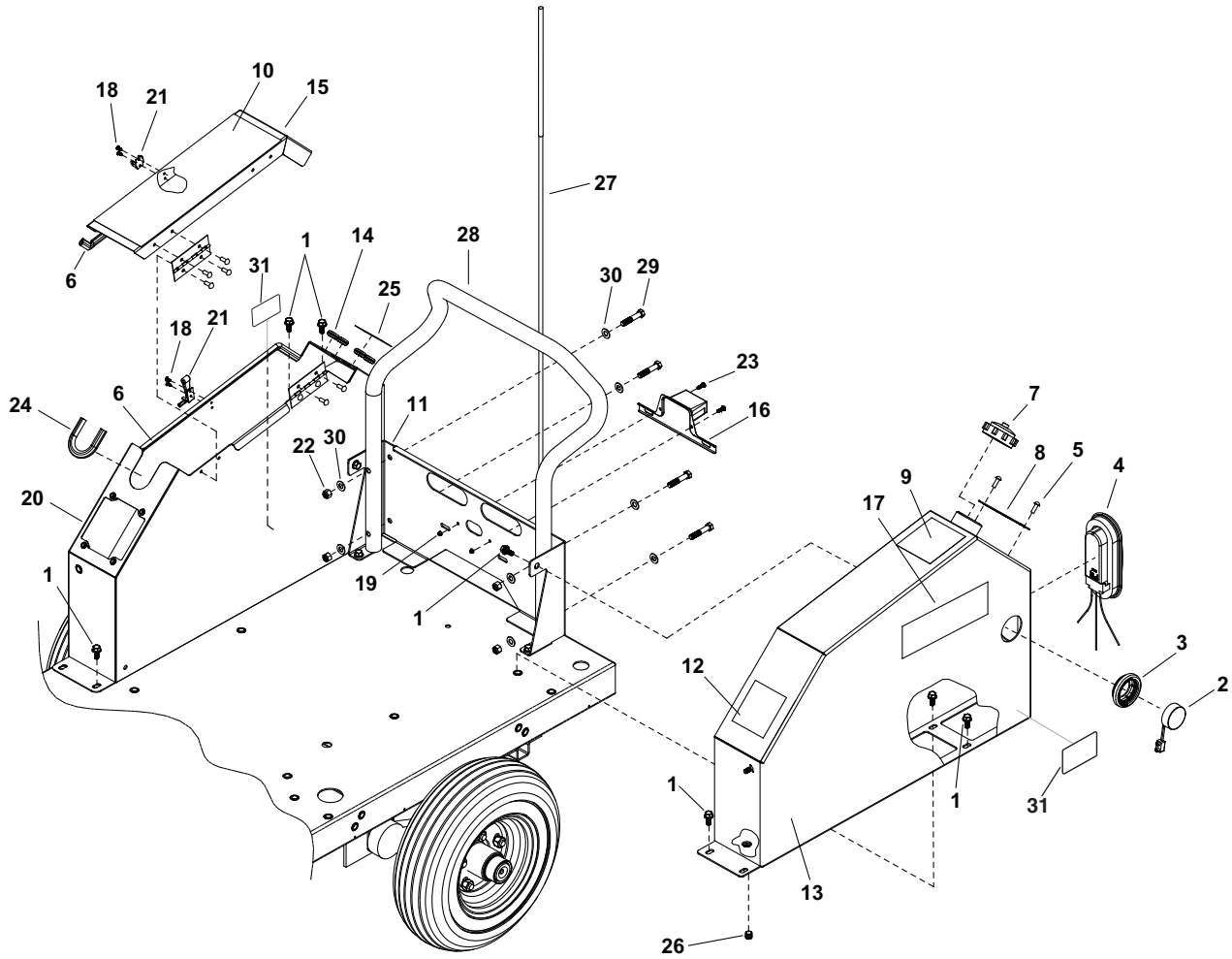
REF	PART NO.	QTY	DESCRIPTION	NOTES
1	9.803-551.0	7	SCREW, 5/16" x 3/4" WHIZ LOC FLANGE	
2	8.924-040.0	1	LEFT PANEL, MT	
3	8.725-532.0	2	LAMP, SIDE MARKER, AMBER	
4	8.752-041.0	2	GROMMET, LIGHT, 2"	
5	8.924-039.0	1	RIGHT PANEL, MT,	
6	8.924-003.0	1	WLMT, PLATFORM, MT	
7	8.924-013.0	1	WLMT, ROCK GUARD, FRONT	
8	8.719-053.0	3	RIVET, 3/16 DIA .126-.250" GRIP, S/S	
9	8.921-830.0	1	PLATE, GAS	
10	8.932-985.0	1	LABEL, KARCHER, STRIPE, 17" x 3.875"	
11	8.716-518.0	4	DISCONNECT, MALE, FULLY INS (954929)	
12	8.719-000.0	2	WASHER, 5/16" x 1-1/4", FENDER, SAE	
13	8.624-608.0	1	LANYARD, 18.0 W/LOOP & EYE	
14	9.800-021.0	1	LABEL, HOT WATER OUTLET	
15	9.800-020.0	1	LABEL, COLD WATER INLET	
16	8.718-682.0	1	BOLT, 3/8-16 X 3-1/2, TAP, SS	
17	8.924-012.0	1	WLMT, FRONT HITCH 2" X 3", MT	
18	8.932-968.0	1	LABEL, INTENDED FOR OUT DOOR USE-USA	
19	9.802-776.0	1	NUT, 5/16-18, ESNA	
20	9.802-780.0	1	NUT, 3/8" STAINLESS, ENSA, NC	
21	8.726-136.0	2	HOOK, LATCHING	
22	8.924-336.0	2	CHAIN, 5/16 ZINC PLATED 4FT	
23	9.802-807.0	2	WASHER, 3/8" SAE, SS(936631)	
24	9.802-812.0	4	WASHER, 3/8" x 1-1/2", FENDER, SAE	
25	9.800-034.0	1	LABEL, CLEAR LEXAN,4.3" X 5.5"	
26	8.755-291.0	1	LABEL, NATM COMPLIANCE	
27	8.627-386.0	5	SCREW, 10-32 X .75 HHMS SS	
28	9.807-349.0	1	LABEL, CLEAR LEXAN, 8" X 2.75	
29	9.803-483.0	2	LABEL, CLEAR LEXAN, 2.75" X 5.0"	
30	8.755-000.0	1	COUPLER, 2" BALL WITH MOUNTING HARDWARE INCLUDED	NOT SHOWN
-	8.755-306.0	1	COUPLER, 2-5/16" BALL WITH MOUNTING HARDWARE INCLUDED	NOT SHOWN
-	8.755-301.0	1	COUPLER, LUNETTE EYE 3"	NOT SHOWN
-	8.755-309.0	2	NUT, 5/8-11 HEX TOP LK STL GR9 CUST	NOT SHOWN
-	8.755-310.0	2	SCREW, 5/8-11 X 4.50 HHCS ST GR5 CUST	NOT SHOWN
31	8.757-911.0	4	LABEL REFLECTIVE AMBER B489A	

Wheels

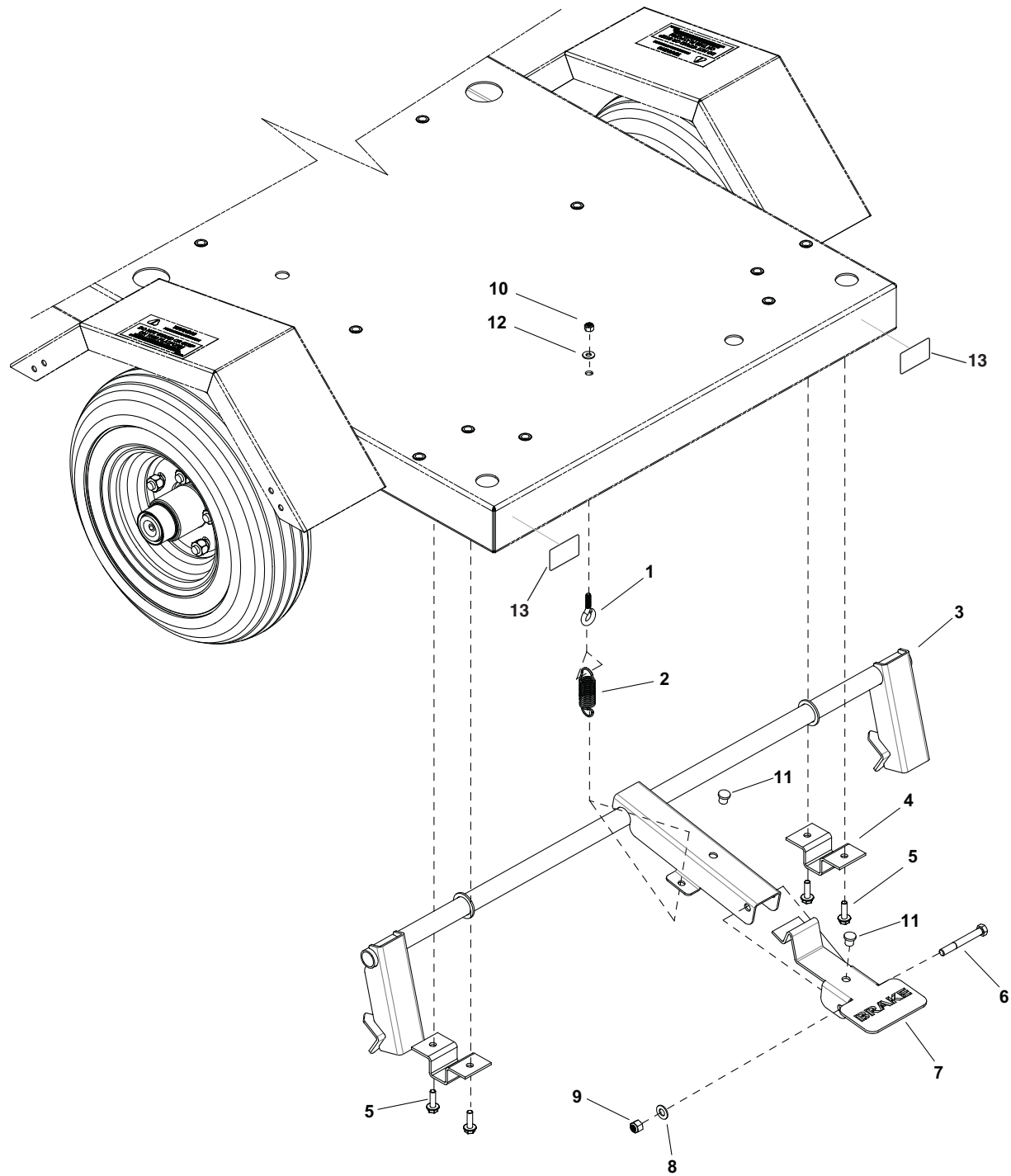


REF	PART NO.	QTY	DESCRIPTION	NOTES
1	8.924-192.0	2	FENDER, 6.25" WIDE, MT	
2	9.803-551.0	8	SCREW, 5/16" x 3/4" WHIZ LOC FLANGE	
3	8.718-988.0	8	WASHER, 7/16" FLAT SAE, ZINC	
4	9.802-736.0	4	BOLT, 1/2 X 1-1/2" NC	
5	8.754-991.0	1	AXLE, TORSION, 35 DEG, MT	
6	8.755-006.0	2	TIRES, 8"RIM, 16"OD, 5x4.5LUG	
7	8.755-008.0	1	BOLT, 1/2-13" x 5.5"L	
8	8.718-829.0	5	NUT, 1/2", ESNA	
9	9.802-807.0	10	WASHER, 3/8", SAE, FLAT ZINC	
10	9.802-779.0	6	NUT, 3/8", ESNA, NC	
11	9.802-720.0	4	BOLT, 3/8" X 1", NC HH	
12	9.802-731.0	2	BOLT, 3/8-16 X3" HH	
13	8.754-996.0	1	CASTER, 10" NO BRAKE, MT	
14	8.924-206.0	1	CASTER MOUNT, MT	
15	8.924-207.0	1	CASTER BRACKET, MT	
16	8.755-009.0	1	QUICK RELEASE PIN, 1/2"x2.5"L, ORG HANDLE	
17	9.803-474.0	1	LABEL, SPEED LIMIT 50	
18	8.900-522.0	2	LABEL, CLP WARNING, DO NOT STAND OR STEP	
19	9.802-809.0	2	WASHER, 1/2" FLAT SAE	
20	8.755-984.0	-	CUP, AXLE HUB, MINI-TRAILER	(REPLACEMENT ONLY)

Hose Box and Fuel Tank

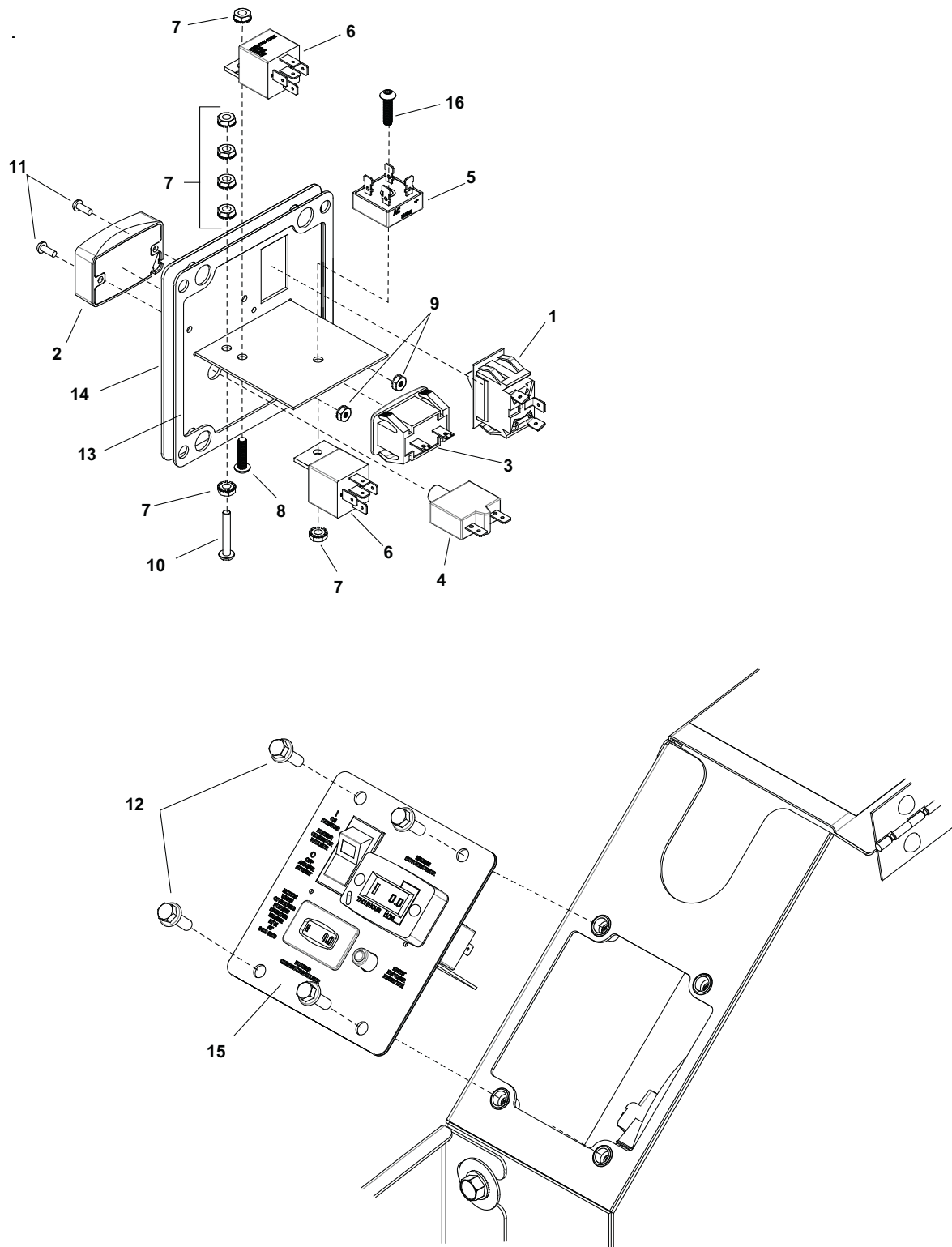


REF	PART NO.	QTY	DESCRIPTION	NOTES
1	9.803-551.0	12	SCREW, 5/16" x 3/4" WHIZ LOC FLANGE	
2	8.725-531.0	2	LAMP, SIDE MARKER, RED	
3	8.752-041.0	2	GROMMET, LIGHT, 2"	
4	8.725-530.0	2	LAMP, TAIL, 3-WAY	
5	8.719-053.0	10	RIVET, 3/16 DIA .126-.250" GRIP, S/S	
6	8.924-334.0	2	TRIM, 750 B2 X 1/16, BLACK, 20" L	
7	9.802-082.0	1	CAP, FUEL, PLASTIC	
8	8.921-831.0	1	PLATE, DIESEL	
9	9.800-002.0	1	LABEL, USE ONLY KEROSENE	
10	9.803-475.0	1	LABEL, OP INSTRUCTION	
11	8.924-160.0	1	BACK PLATE, LICENSE MOUNT, MT	
12	9.803-480.0	1	LABEL, ASSEMBLED IN USA 3.5x3.5"	
13	8.924-156.0	1	DIESEL TANK, MT	
14	9.802-064.0	4	GROMMET, RUBBER, NOZZLE HOLDER	
15	8.924-047.0	1	LID,HOSE STORAGE, MT	
16	8.725-533.0	1	LAMP, LICENCE W/HOLDER	
17	8.932-985.0	2	LABEL, KARCHER, STRIPE, 17" x 3.875"	
18	9.804-301.0	4	RIVET, 1/8" X 1/4', POP, AL(926598)	
19	9.802-696.0	1	NUT, 10/32" NF ST ST KEP	
20	8.928-279.0	1	WLMT, HOSE STORAGE, KMT	
21	8.706-568.0	1	HANDLE, RUBBER T, W/KEEPER, P/N-A-089-0115	
22	9.802-779.0	4	NUT, 3/8", ESNA, NC	
23	8.718-760.0	2	SCREW, 10/32 X 5/8 PHIL PAN, SS	
24	8.924-033.0	1	TRIM, 750 B2 X 1/16, BLACK, 6"L	
25	9.800-049.0	1	LABEL, MANUFACTURER'S CLEANING SOLUTION	
26	8.757-192.0	1	PLUG, 1/4" NPT COUNTERSUNK	
27	8.924-032.0	1	ASSY, POLE WITH REFLECTIVE TAPE	
28	8.924-325.0	1	HANDLEBAR, TRANSPORT, MT, PAINTED	
29	9.802-728.0	4	BOLT, 3/8-16 x 2", HH ZINC	
30	9.802-807.0	8	WASHER, 3/8", SAE, FLAT ZINC	
31	8.757-910.0	2	LABEL REFLECTIVE RED B489R	

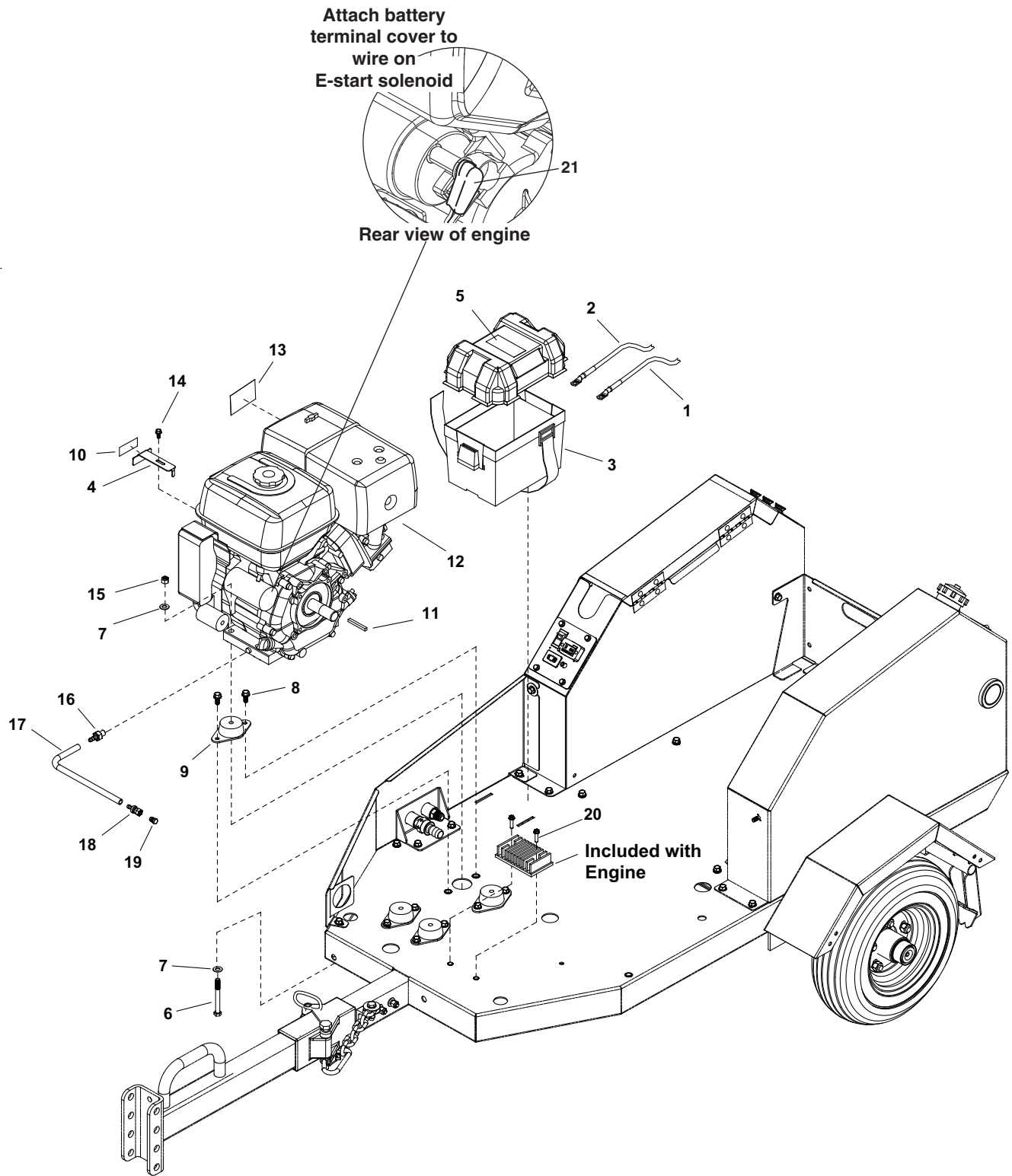


REF	PART NO.	QTY	DESCRIPTION	NOTES
1	8.718-708.0	1	1/4" EYEBOLT	
2	8.755-013.0	1	BRAKE SPRING	
3	8.924-288.0	1	BRAKE MT	
4	8.924-286.0	2	BRACKET, BRAKE HANGER, MT	
5	9.802-756.0	4	SCREW, 5/16" x 1", WHIZ LOC FLANGE	
6	9.802-731.0	1	BOLT, 3/8-16 x 3" HH	
7	8.924-287.0	1	BRAKE STEP LEVER, MT	
8	9.802-807.0	1	WASHER, 3/8", SAE, FLAT ZINC	
9	9.802-779.0	1	NUT, 3/8", ESNA, NC	
10	9.802-773.0	1	NUT, 1/4-20 ESNA NC	
11	9.802-068.0	2	PLUG, RUBBER, SJ-10/15	
12	9.802-802.0	1	WASHER, 1/4" FLAT SAE FLAT	
13	8.757-910.0	2	LABEL REFLECTIVE RED B489R	

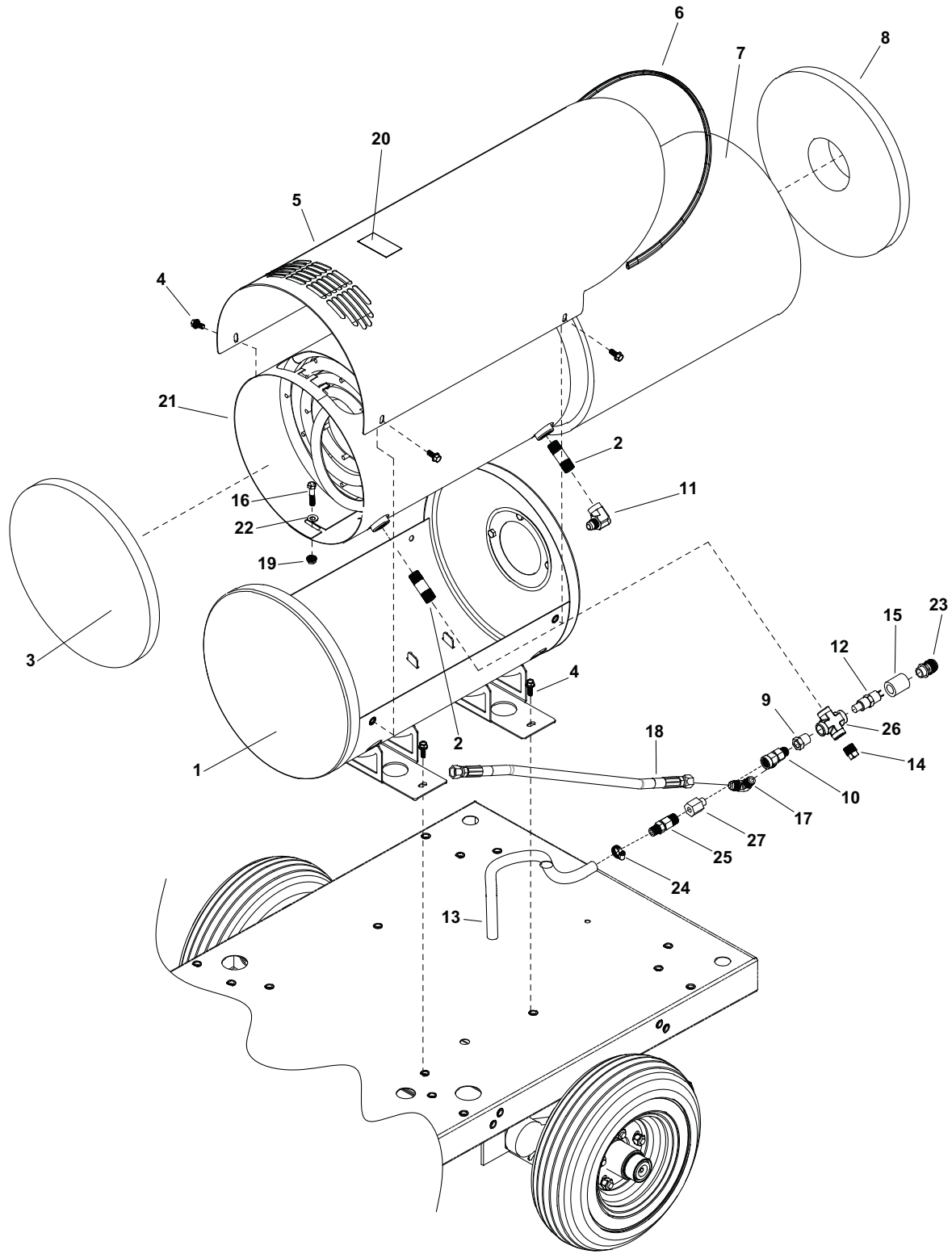
Control Panel



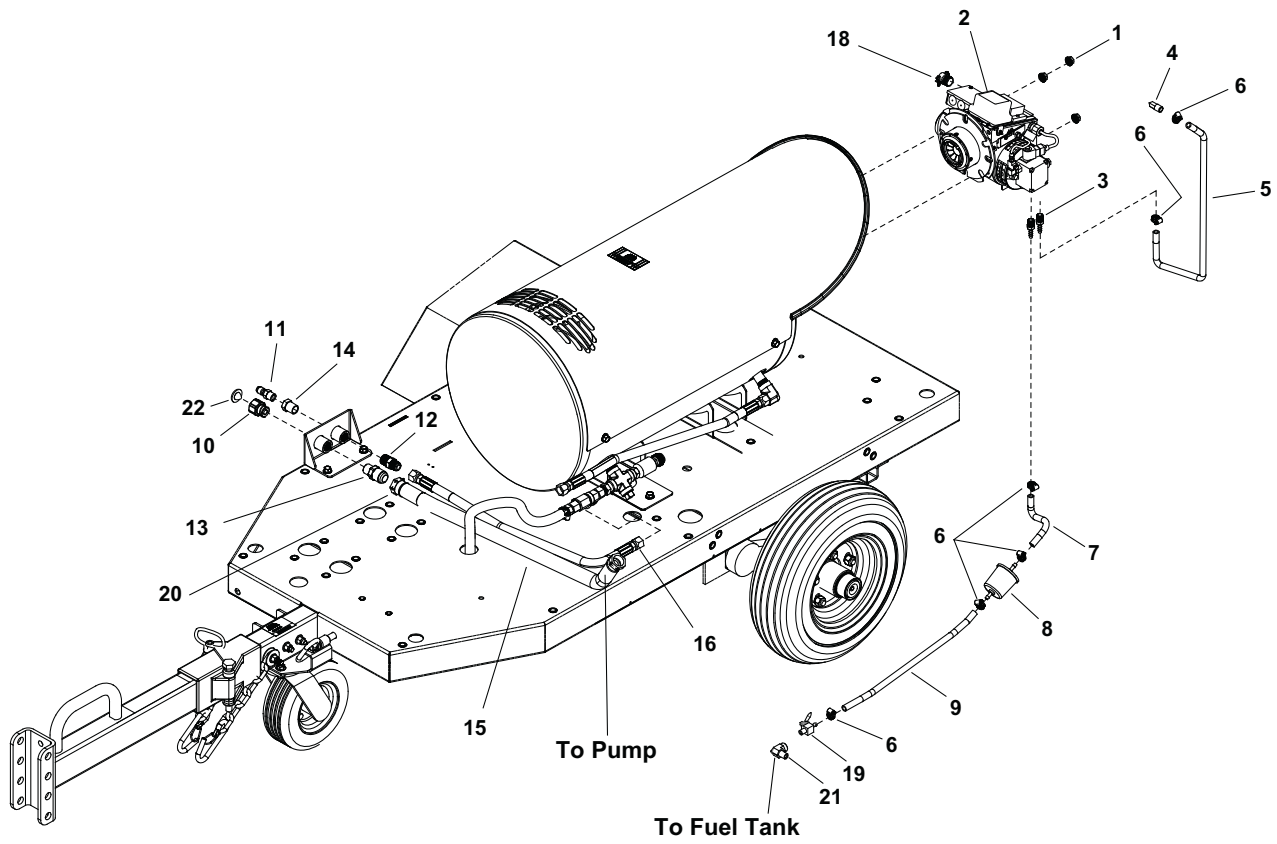
REF	PART NO.	QTY	DESCRIPTION	NOTES
1	8.716-036.0	1	SWITCH, ROCKER, 15A/12V, LT(875465)	
2	8.904-540.0	1	METER, TACH/HR 12VDC, SENDEC W/MAGNET TOOL	
3	9.802-283.0	1	HOUR METER, 24-240VAC 50/60HZ	
4	9.802-485.0	1	BREAKER, 1658-G41-02-P10-25A	
5	9.802-530.0	1	RECTIFIER, BRIDGE, MB156(GBPC1506)600v, 15amp	
6	9.802-470.0	2	RELAY, 12V	
7	9.802-695.0	7	NUT, 10/32" KEPS	
8	9.802-771.0	1	SCREW, 10/32" X 3/4", BH SOC CS	
9	9.802-784.0	2	NUT, 6-32 KEPS	
10	9.802-762.0	1	SCREW, 10/32" x 1-1/4" RH, SL, BLK	
11	9.802-748.0	2	SCREW, 6/32" X 3/8", RND HD MCH	
12	9.802-753.0	4	SCREW, 1/4-20 x 3/4" WHIZ LOC	
13	8.755-014.0	1	GASKET, 1/8" THK, R426	
14	8.924-242.0	1	CONTROL PANEL, MT	
15	9.803-478.0	1	LABEL, CONTROL PANEL	
16	8.718-814.0	1	SCREW, 10/32 X 1-1/4 BH SOC, SS	



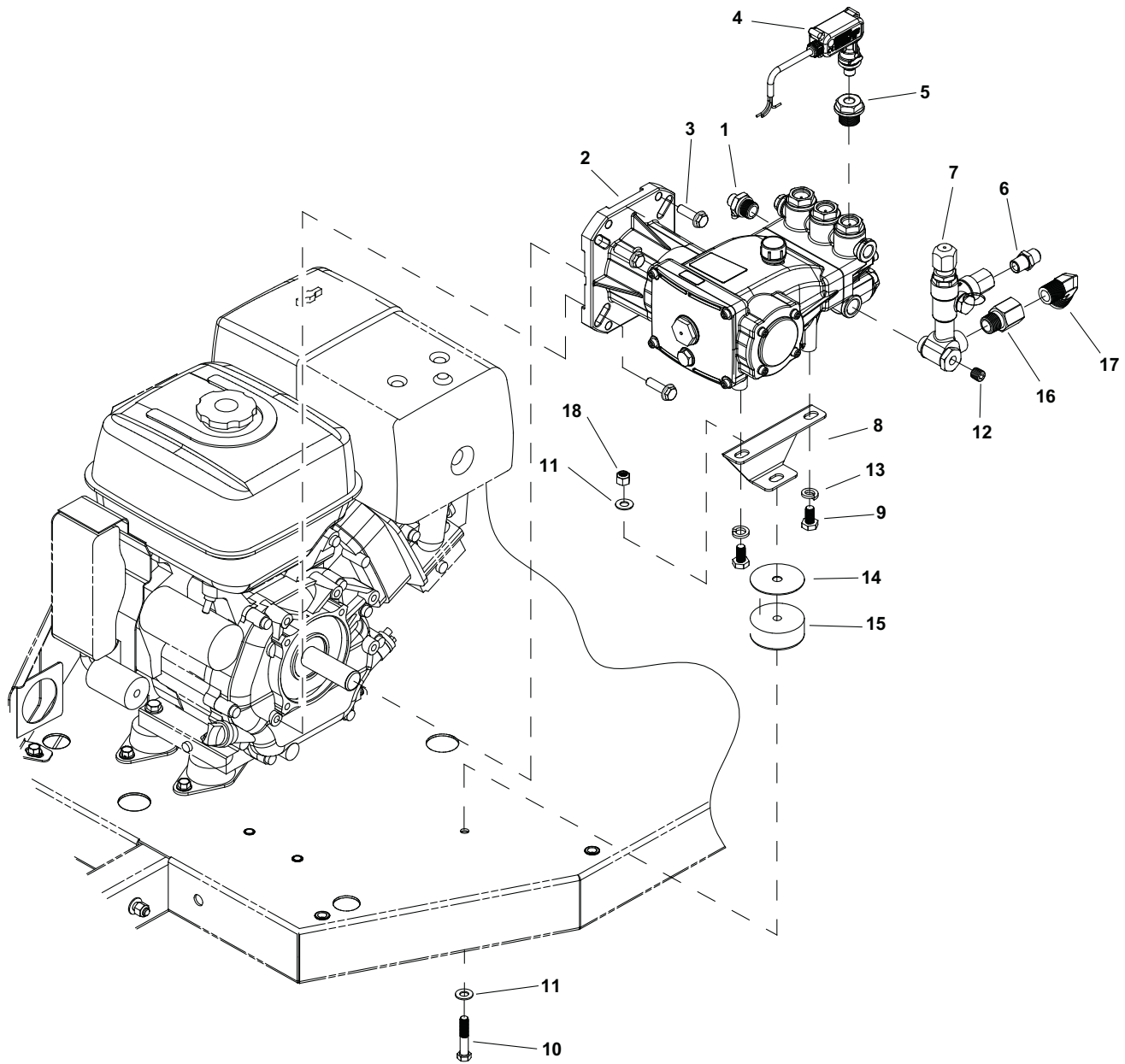
REF	PART NO.	QTY	DESCRIPTION	NOTES
1	9.802-504.0	1	CABLE, BATTERY, 36" BLACK, 4GA	
2	9.802-503.0	1	CABLE, BATTERY, 32" RED, 4GA	
3	8.706-652.0	1	BATTERY BOX, SMALL	
4	8.924-246.0	1	THROTTLE SHIELD, GX390 MOTOR	
5	8.917-015.0	1	LABEL, REGULATION 4442.6	
6	9.802-731.0	4	BOLT, 3/8-16 X 3" HH	
7	9.802-807.0	8	WASHER, 3/8", SAE, FLAT ZINC	
8	9.803-551.0	8	SCREW, 5/16" X 3/4" WHIZ LOC FLANGE	
9	9.802-057.0	4	ISOLATOR, VIBRATION MNT, 100 LB	
10	8.900-282.0	1	LABEL, RPM FACTORY SET	
11	9.802-959.0	1	KEY, 0.247 SQR X 2.125"	
12	8.750-579.0	1	ENGINE, HONDA GX 390UT2QNR2 13HP E/S 18A	
13	9.800-008.0	1	LABEL, DANGER COOL ENGINE	
14	-	-	INCLUDED WITH ENGINE	
15	9.802-779.0	4	NUT, 3/8", ESNA, NC	
16	9.802-154.0	1	PLUG, PUSH-ON,OIL DRAIN, HONDA	
17	8.924-330.0	1	HOSE, 1/4" X 12" PUSH-ON	
18	9.802-153.0	1	SWIVEL, 1/4" JIC FEM, PUSH-ON	
19	9.802-125.0	1	PLUG, 1/4" JIC	
20	8.750-768.0	2	SCREW, 1/4-20 X 1", WHIZ LOC FLANGE	
21	9.804-615.0	1	COVER, BATTERY TERMINAL, RED	



REF	PART NO.	QTY	DESCRIPTION	NOTES
1	8.924-169.0	1	BOTTOM WRAP, MT	
2	8.757-405.0	2	NIPPLE STEEL 1/2" X 2-1/2" SCH 80 W/SLNT	
3	8.735-002.0	1	DISK, FIBER, 16"	
4	9.803-551.0	4	SCREW, 5/16" x 3/4" WHIZ LOC FLANGE	
5	8.924-046.0	1	TOP WRAP, MT	
6	8.924-332.0	1	TRIM, 750 B2 X 1/16, BLACK, 38"L	
7	9.802-896.0	1	INSULATION, BLANKET-NO FOIL, 24" x 57"	
8	8.731-284.0	1	DISK, FIBER, (DONUT), 16"	
9	8.757-513.0	1	BUSHING, 1/2"NPTF(M) X 3/8"NPTF(F),STEEL	
10	8.757-705.0	1	TEE STREET STEEL 3/8"	
11	8.757-363.0	1	ELBOW, 90°, 3/4-16 JIC X 1/2 NPTF (F) 90°	
12	8.712-308.0	1	SWITCH TH HI 210D NC 1/2X1/2SP	
13	8.924-519.0	1	HOSE, 5/8" X 16", PUSH-ON	
14	8.757-625.0	1	PLUG 1/2 NPTF SQUARE HEAD	
15	8.706-393.0	1	COUPLING, 1/2 PVC PIPE SCH 80 TXT	
16	9.802-727.0	1	BOLT, 3/8" x 1-3/4", TAP	
17	8.757-509.0	1	ELBOW, 3/4"-16 SAE X 3/8" NPTF(M), STEEL	
18	8.918-236.0	1	HOSE,3/8"X 28",6000,2 WIRE, PRESSURE LO	
19	9.802-781.0	1	NUT, 3/8" NC, WHIZ LOC FLANGE	
20	9.800-006.0	1	LABEL, HOT/CALIENTE w/ARROWS	
21	8.914-962.0	1	COIL, DURO, 14.5 DIA.	
22	9.802-807.0	1	WASHER, 3/8", SAE, FLAT ZINC	
23	9.802-514.0	1	STRAIN RELIEF, LT, Str, 1/2 NPT, .23-.45D	
24	9.803-559.0	1	CLAMP, SCREW, 9/16"W, 7/8"OD,SS	
25	8.707-381.0	1	RUPTURE DISC ASSY, 8500#	
26	8.757-704.0	1	CROSS FEMALE STEEL 1/2"	
27	8.757-548.0	1	ADAPTER STEEL 1/2 (F) X 3/8 (M)	



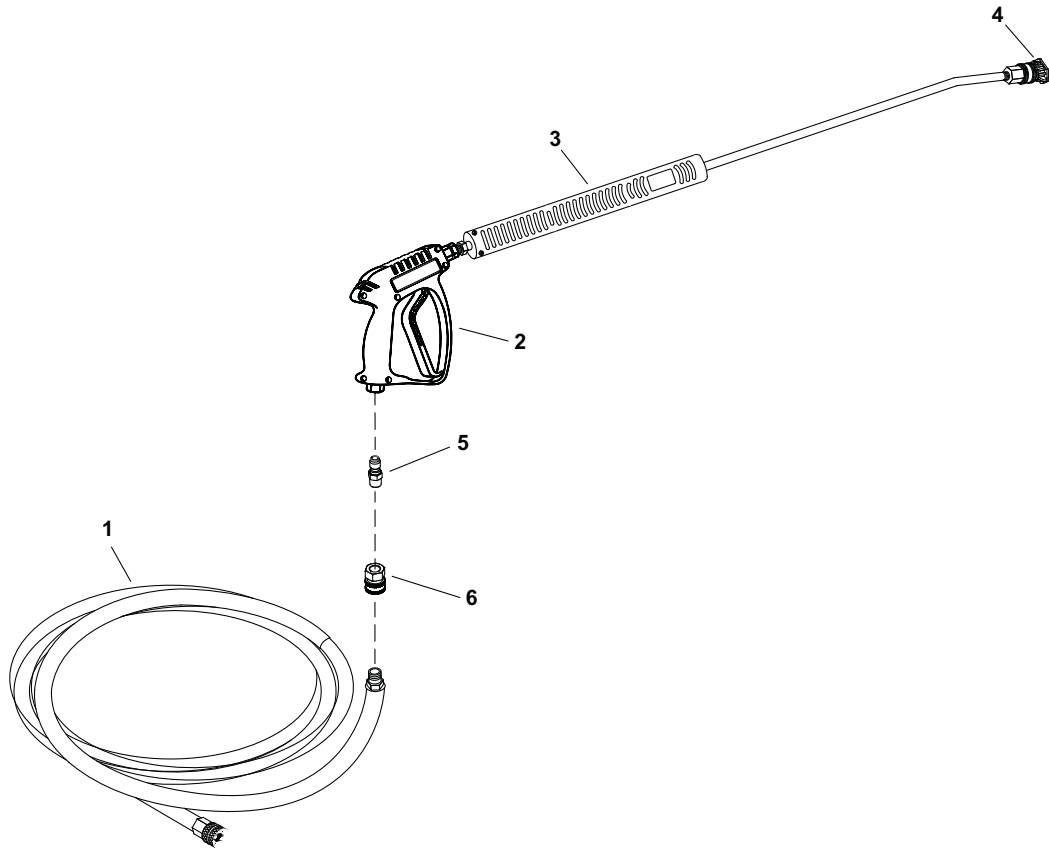
REF	PART NO.	QTY	DESCRIPTION	NOTES
1	9.802-781.0	14	NUT, 3/8" NC, WHIZ LOC FLANGE	
2	8.756-412.0	1	BURNER, MSR 13.5VDC 2T 12VDC S	
3	8.757-199.0	2	HOSE BARB, 1/4" BARB x 1/4" M-NPTF, BRASS	
4	8.757-205.0	1	HOSE BARB, 1/4" BARB x 1/4" M-NPTF, 90°	
5	8.924-327.0	1	HOSE, 1/4" X 24" PUSH-ON	
6	8.709-069.0	6	CLAMP, SCREW, 5/16"W, 1/4-5/8"D, SS	
7	8.924-328.0	1	HOSE, 1/4" X 8" PUSH-ON	
8	8.709-152.0	1	FILTER, FUEL, DISPOSABLE	
9	8.924-329.0	1	HOSE, 1/4" X 20" PUSH-ON	
10	8.757-203.0	1	SWIVEL, 1/2 MP X 3/4 GHF	
11	9.802-171.0	1	COUPLER, 3/8" PLUG, MALE, STEEL/ZINC	
12	8.757-508.0	1	ADAPTER, 3/4"-16SAE X 1/2" NPTF(M), STEEL	
13	8.757-194.0	1	ADAPTER, 3/4" 45° SAE x 1/2" M-NPTF, BRASS	
14	8.757-513.0	1	BUSHING, 1/2"NPTF(M) X 3/8"NPTF(F), STEEL	
15	8.924-331.0	1	HOSE, 3/4" X 22.25" PUSH-ON	
16	8.918-423.0	1	HOSE, 3/8" X 22", 2 WIRE, PRESSURE LO	
17	8.756-408.0	1	FUEL NOZZLE, 1.65 X 80 BZ	
18	9.802-519.0	1	STRAIN RELIEF, 1/2" METAL, TWO SCREW	
19	8.707-352.0	1	VALVE, BALL 1/4 NPT X 1/4 H	
20	9.802-152.0	2	SWIVEL, 3/4" SAE FEM, PUSH-ON	
21	8.757-339.0	1	ELBOW, 1/4" STREET 90 DEG, STEEL W/SLNT	
22	9.804-016.0	1	FILTER SCREEN WASHER, GARDEN HOSE/ 30MESH	



REF	PART NO.	QTY	DESCRIPTION	NOTES
1	8.757-771.0	1	PUMP PROTECTOR 1/2 BSPP X 1/4 BARB 145°	
2	8.751-195.0	1	PUMP, KARCHER KS4040G3, 4@4000 3400 RPM	
3	9.802-768.0	4	SCREW, 3/8" X 1-1/4", WHIZ LOC FLANGE	
4	9.802-458.0	1	SWITCH,PRESSURE NO, 1/4" NPT SS, 44"	
5	9.802-632.0	1	CAP, VALVE 24MM, W/ 1/4" GAUGE PORT	
6	8.756-875.0	1	ADAPTER, 3/4-16 M JIC X G 3/8-19 M	
7	9.803-900.0	1	UNLOADER VBA, LM/LS, 6.6GPM@4000PSI	
8	8.924-335.0	1	RAIL, PUMP SUPPORT, SS	
9	9.802-744.0	2	BOLT, 10MM X 20MM, HH ZINC	
10	9.802-728.0	1	BOLT, 3/8-16 X 2", HH ZINC	
11	9.802-807.0	2	WASHER, 3/8", SAE, FLAT ZINC	
12	8.757-192.0	1	PLUG, 1/4" NPT COUNTERSUNK	
13	9.802-816.0	2	WASHER, 7/16", SPLIT RING LOCK, 780481	
14	9.802-819.0	1	WASHER, 7/16" X 2 1/2", ZINC, PG FOOT	
15	9.802-066.0	1	PAD SOFT RUBBER	
16	8.756-874.0	1	ADAPTER, G 1/2-14 X 1/2-14 NPTF	
17	8.757-202.0	1	ELBOW, 3/4" 45° SAE X 1/2" M-NPTF, BRASS	
18	9.802-779.0	8	NUT, 3/8", ESNA, NC	

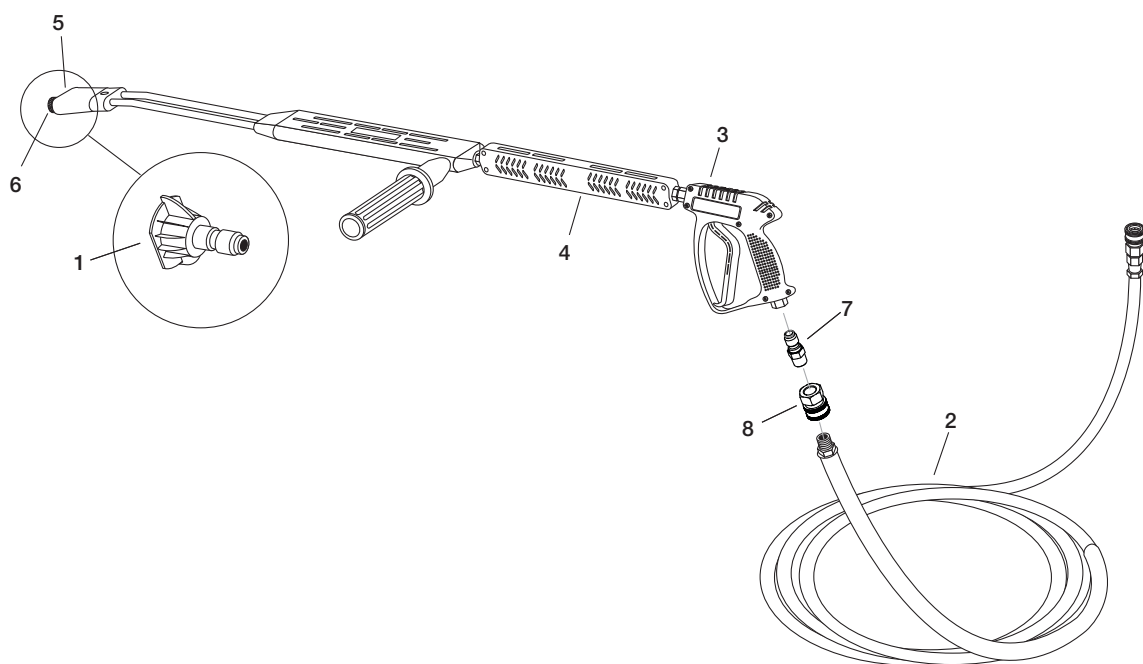
See SS.3 Series Pump page for Pump replacement parts.

Hose & Spray Gun



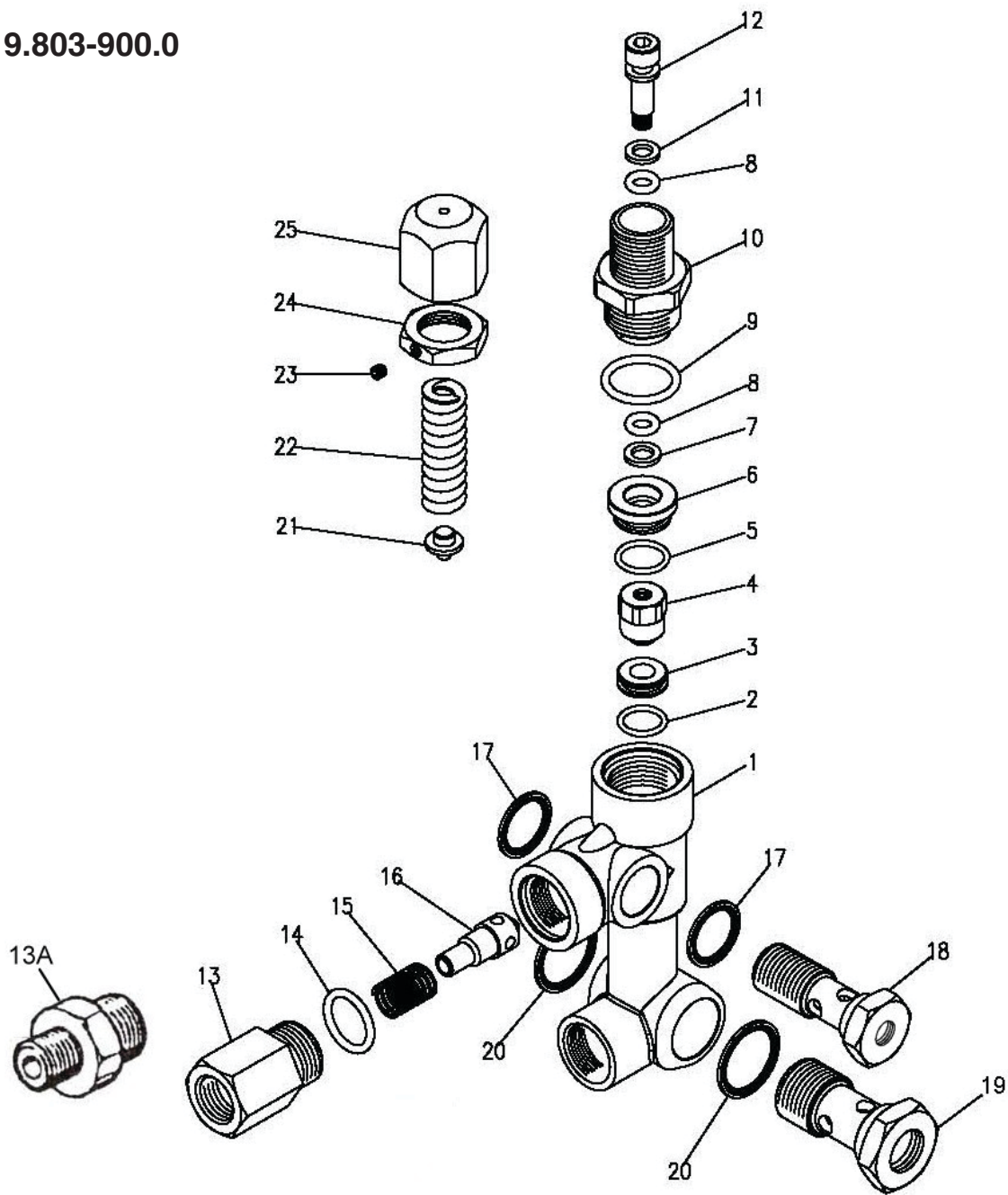
REF	PART NO.	QTY	DESCRIPTION	NOTES
1	8.925-132.0	1	HOSE, 3/8" X 50' 2W 6000PSI SW/SO/CPL	
2	8.710-384.0	1	GUN, ST-1500, 5000 PSI, 10.4 GPM	
3	9.803-805.0	1	LANCE, SPRAY, INSULATED 35.5' SS, PA-S	
4	8.712-338.0	1	NOZZLE, SAQCMEG 1503.5, YELLOW	
-	8.712-339.0	1	NOZZLE, SAQCMEG, 2503.5, GREEN	
-	8.712-340.0	1	NOZZLE, SAQCMEG 4003.5, WHITE	
-	8.712-398.0	1	NOZZLE KPL., QCEM-6540 MESS. (CHEM) - OPTION	
5	9.802-171.0	1	COUPLER, 3/8" PLUG, MALE, STEEL/ZINC	
6	9.802-166.0	1	COUPLER, 3/8" SOCKET, FEMALE, BRASS	

Hose & Spray Gun (Optional)



REF	PART NO.	QTY	DESCRIPTION	NOTES
1	8.712-338.0	1	NOZZLE, SAQCMEG 1535, YELLOW (4-3500)	
-	8.712-339.0	1	NOZZLE, SAQCMEG 2503.5, GREEN, (4-3500)	
2	8.925-132.0	1	HOSE, 3/8" X 50' 2W 6000PSI SW/SO/CPL	
3	8.710-384.0	1	GUN, LANDA, L1050, 5000 PSI, 10.4 GPM	
4	8.711-293.0	1	WAND, V.P. ZINC 1/4" (AL344) W/COUPLER W/ SOAP NOZZLE	
-	83-SSVPKIT	1	AR WAND REPAIR KIT,	NOT SHOWN
5	9.802-286.0	1	BRASS SOAP NOZZLE ONLY, 1/8"	
6	9.802-165.0	1	COUPLER, 1/4" MALE	
	9.802-096.0	1	QUICK COUPLER O-RING SM	NOT SHOWN
7	9.802-171.0	1	COUPLER, 3/8" PLUG, MALE, STEEL/ZINC	
8	9.802-166.0	1	COUPLER, 3/8" SOCKET, FEMALE, BRASS	

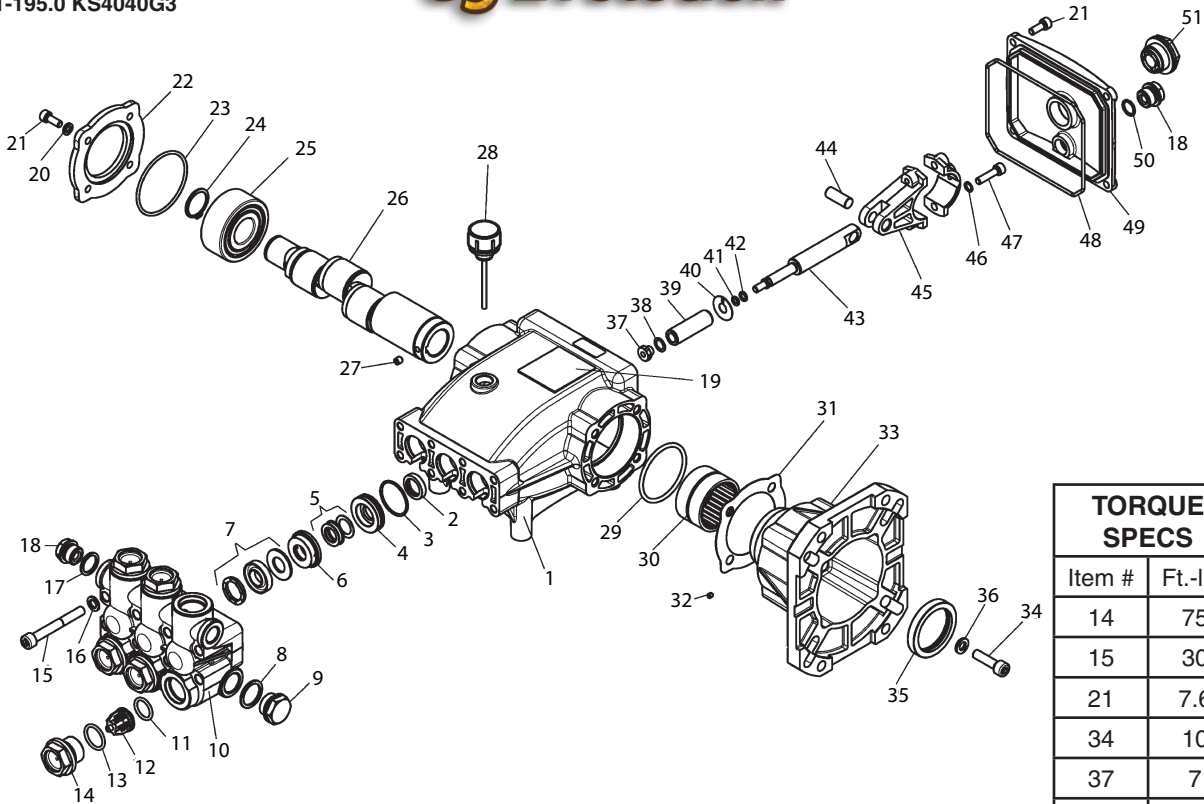
9.803-900.0



REF	PART NO.	QTY	DESCRIPTION	NOTES
1	-	1	BODY VALVE	
-	-	1	BODY VALVE	
2	-	1	O-RING	KIT A,C
3	-	1	SEAT	KIT C
4	-	1	BALL, SUB-ASSY	KIT C
5	-	1	O-RING	KIT A
6	9.803-907.0	1	GUIDE BUSHING	
7	-	1	TEFLON RING	
8	-	2	O-RING	KIT A
9	-	1	O-RING	KIT A
10	9.803-911.0	1	CONNECTOR	
11	-	1	TEFLON RING	KIT A
12	-	1	STEM	KIT C
13	9.803-914.0	1	CONNECTOR, FEMALE	
13A	9.802-892.0	1	CONNECTOR, MALE	
14	-	1	O-RING	KIT A, B
15	-	1	SPRING	KIT B
16	-	1	POPPET	KIT B
17	9.802-893.0	2	SEAL WASHER 3/8	
18	9.803-915.0	1	BANJO BOLT 3/8" W/ 1/8" PILOT	
-	9.803-919.0	1	BANJO BOLT 3/8" (SOLID CAP)	
19	9.803-920.0	1	BANJO BOLT 1/2" W/ 1/4" PILOT	
-	8.750-105.0	1	BANJO BOLT 1/2"(SOLID CAP)	
-	9.803-919.0	1	BANJO BOLT 3/8" (SOLID CAP)	
20	9.803-921.0	2	SEAL WASHER 1/2	
21	-	1	PLATE C	KIT C
22	-	1	SPRING C	KIT C
23	8.933-021.0	1	SET SCREW	
24	9.803-925.0	1	NUT	
25	9.803-926.0	1	BRASS HANDLE	
KIT A	8.717-672.0	-	O-RING REPAIR KIT	
KIT B	8.717-673.0	-	OUTLET KIT	
KIT C	8.717-674.0	-	STEM REPAIR KIT	

G3 Evolution

8.751-195.0 KS4040G3



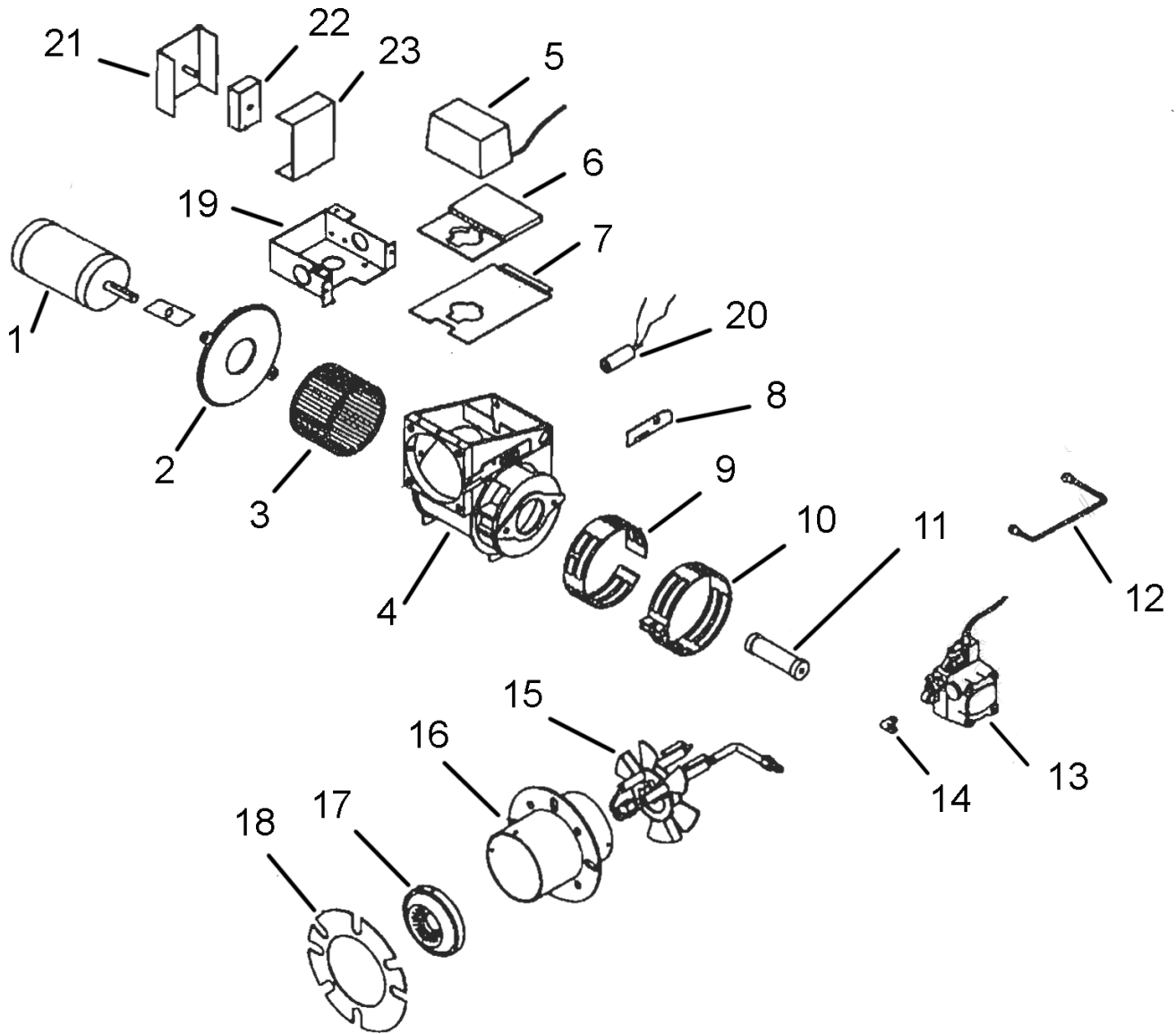
TORQUE SPECS	
Item #	Ft.-lbs
14	75
15	30
21	7.6
34	10
37	7
47	13

REF	PART NO.	QTY	DESCRIPTION	NOTES
1	8.751-217.0	1	CRANKCASE	
2	-	3	PLUNGER OIL SEAL	SEE KITS TABLE
3	-	3	O-RING Ø1.78 X 31.47	SEE KITS TABLE
4	-	3	PRESSURE RING	SEE KITS TABLE
5	-	3	U-SEAL, 15MM	SEE KITS TABLE
6	-	3	INTERMED. RING 15MM	SEE KITS TABLE
7	-	3	U-SEAL, 15MM	SEE KITS TABLE
8	9.803-199.0	1	COPPER WASHER 1/2"	
9	9.802-926.0	1	BRASS PLUG, 1/2"	
10	8.751-218.0	1	MANIFOLD HOUSING	
11	9.803-191.0	6	O-RING Ø2.62 X 17.13	SEE KITS TABLE
12	-	6	VALVE ASSEMBLY	SEE KITS TABLE
13	9.803-193.0	6	O-RING Ø2.62 X 20.29	SEE KITS TABLE
14	9.802-928.0	6	VALVE PLUG	
15	9.802-938.0	8	MANIFOLD STUD BOLT	
16	9.802-884.0	8	WASHER	
17	9.803-198.0	1	COPPER WASHER 3/8"	
18	9.802-925.0	2	BRASS PLUG 3/8"	
19	8.918-818.	1	LABEL, KARCHER KS4040G.3 PUMP	

REF	PART NO.	QTY	DESCRIPTION	NOTES
20	9.803-210.0	4	WASHER, M6 X 16	
21	9.802-939.0	9	HEXAGONAL SCREW	
22	9.803-184.0	1	CLOSED BEARING HOUSING	
23	8.717-225.0	1	O-RING Ø 2.62 X61.6	
24	9.802-914.0	1	SNAP RING	
25	9.803-168.0	1	DOUBLE ROW BALL BEARING	
26	9.803-152.0	1	CRANKSHAFT (4040G.3)	
27	9.802-945.0	1	SET SCREW	
28	9.802-921.0	1	OIL DIP STICK	
29	9.804-581.0	1	O-RING Ø 3.53 X 55.56	
30	9.803-161.0	1	NEEDLE ROLLER BEARING	
31	8.751-230.0	1	GASKET	
32	8.717-544.0	1	SCREW, SET	
33	9.803-183.0	1	ENGINE FLANGE	
34	9.803-240.0	4	FLANGE SCREW	
35	9.803-142.0	1	CRANKSHAFT SEAL	
36	9.803-221.0	4	SPRING WASHER	
37	-	3	PLUNGER NUT, M6	SEE KITS TABLE
38	-	3	WASHER, COPPER, 9.2 X 13.5	SEE KITS TABLE
39	-	3	PLUNGER, 15MM	SEE KITS TABLE
40	-	3	COPPER SPACER	SEE KITS TABLE
41	-	3	O-RING Ø1.78X5.28	SEE KITS TABLE
42	-	3	TEFLON RING	SEE KITS TABLE
43	8.751-225.0	3	PLUNGER ROD	
44	8.751-228.0	3	CONNECTING ROD PIN	
45	9.803-158.0	3	CONNECTING ROD	
46	9.803-218.0	6	SPRING WASHER	
47	9.803-238.0	6	CONNECTING ROD SCREW	
48	8.933-016.0	1	O-RING 2.62 X 126.67	
49	8.751-229.0	1	CRANKCASE COVER	
50	9.803-197.0	1	O-RING, Ø 1.78 X 14	
51	9.803-202.0	1	SIGHT GLASS, G3/4	

*Parts available in kit.

REPAIR KIT NUMBER	8.725-358.0	8.725-359.0	8.933-023.0	9.802-603.0	9.802-609.0
KIT DESCRIPTION	PLUNGER U-SEAL 15MM	COMPLETE U-SEAL PACKING 15MM	PLUNGER 15MM	COMPLETE VALVE	PLUNGER OIL SEALS
ITEM NUMBERS INCLUDED	3, 5, 7	3, 4, 5, 6, 7	37, 38, 39, 40, 41, 42	11, 12, 13	2
NUMBER OF CYLINDERS KIT WILL SERVICE	3	1	1	6	3



REF	PART NO.	QTY	DESCRIPTION	NOTES
1	8.700-739.0	1	BURNER MOT 12V-WH MSR DC FASCO	
2	100761-001	1	MOTOR ADAPTOR	
3	8.756-660.0	1	FAN, 2.44" X 4.53" X 5/16" BORE	
4	8.717-939.0	1	FAN HOUSING, MODEL M (UNPAINTED)	
5	9.107-507.0	1	IGNITOR	
6	100730-001	1	MOUNTING BASE	
7	21723-002	1	HOUSING COVER	
8	13392	1	SLOT COVER BASE	
9	8.700-707.0	1	AIR BAND INNER MSR/MSRDC	
10	8.700-708.0	1	AIR BAND OUTER MSR/MSRDC	
11	8.700-721.0	1	COUPLING FOR 079021X	
12	8.700-704.0	1	OIL LINE, 6'	
13	8.756-437.0	1	PUMP - COMBO/W SOLENOID 12V/24V	
14	13494	1	ELBOW	USE WITH #13
15	8.756-451.0	1	GUN ASSEMBLY, GUN-RG/*CST/*1 1/4"BB3	
16	8.756-658.0	1	WLMT, AIR TUBE FLANGE 1.63" "M"	
17	8.756-659.0	1	AIR CONE #4A8	
18	8.700-692.0	2	GASKET, E & M SERIES BURNERS	
19	8.756-295.0	1	JUNCTION BOX, MSR	
20	8.700-819.0	1	CAD CELL F/HS & M SERIES BURNE	
21	63355-001	1	CONTROL BOX	
22	8.756-661.0	1	TIMER, BURNER DROP-OUT	
23	62899	1	COVER, CONTROL BOX	
24	9.105-437.0	KIT	KIT, IGNITOR PLATE ASSEMBLY, FOR MSR DC BURNERS	INCLUDES ITEMS 5,6,7,21,22,& 23
25	8.700-723.0	KIT	KIT, ELECTRODE ASSEMBLY REPLACEMENT FOR MSR BURNERS	NOT SHOWN